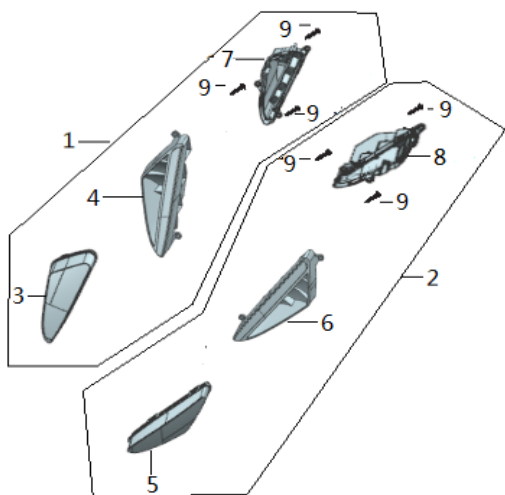


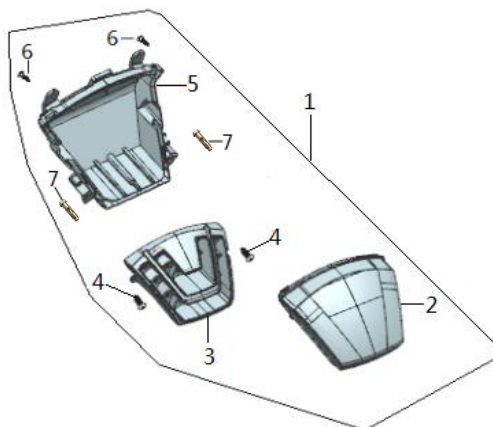
Fig. 1



前转向灯 FRONT TURNING LAMP

序号	件号	英文名称	数量
Ref No.	Part No.	English Description	Q'ty
1	3.602-FL125-003R-000	F.R. Turning Lamp	1
2	3.602-FL125-003L-000	F.L. Turning Lamp	1
3	3.602-FL125-003R-001	Front Cover (Right)	1
4	3.602-FL125-003R-002	LED Light Assy. (Right)	1
5	3.602-FL125-003L-001	Front Cover (Left)	1
6	3.602-FL125-003L-002	LED Light Assy. (Left)	1
7	3.602-FL125-003R-003	Base, Front Turning Lamp (Left)	1
8	3.602-FL125-003L-003	Base, Front Turning Lamp (Right)	1
9	3.700-845-M4,2X12-AG	Self Tapping Screws 4.2X12	6

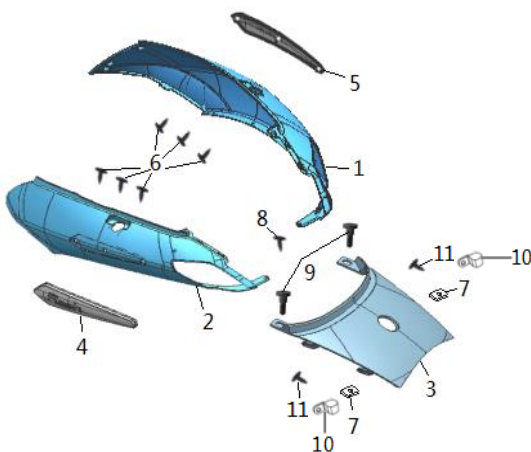
Fig. 2



后尾灯 REAR LAMP

序号	件号	英文名称	数量
Ref No.	Part No.	English Description	Q'ty
1	3.602-FL125-002-000	Tail Light Assy	1
2	3.602-FL125-002-001	Cover, Tail Light Assy	1
3	3.602-FL125-002-002	Rear Reflector	1
4	3.700-845-M4,0X12-AG	Self Tapping Screws 4.0X12	2
5	3.602-FL125-002-003	Base, Tail Light	1
6	3.700-845-M4,2X16-AG	Self Tapping Screws 4.2X16	2
7	3.212-PZLS-6,5	Plastic expansion screw	2

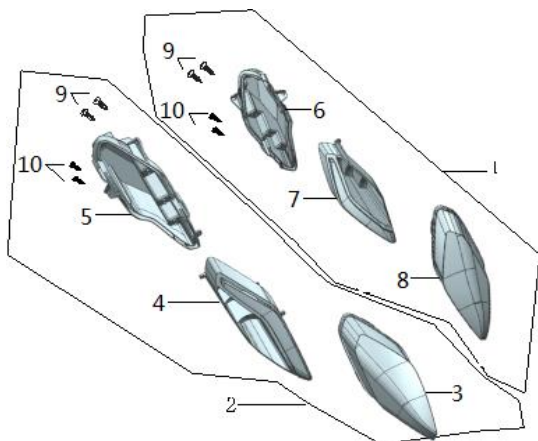
Fig. 3



后左右护板 REAR SIDE COVER

序号	件号	英文名称	数量
Ref No.	Part No.	English Description	Q'ty
1	3.403-FL125-R-008	Right Cover	1
2	3.403-FL125-L-008	Left Cover	1
3	3.402-FL125-009	Connecting Plate	1
4	3.403-FL125-L-010	Decorating Plate, Left Cover	1
5	3.403-FL125-R-010	Decorating Plate, Right Cover	1
6	3.700-845-M4,2X12-AG	Self Tapping Screws 4.2X12	6
7	3.700-ST-CP-AG	ST Clip	2
8	3.700-845-M4,8x12-AG	Self Tapping Screws 4.8X12	1
9	3.212-6X16-8X5	Shoulder Bolt M6X16-φ8X5	2
10	3.212-DSXJ-001	clip (plastic)	2
11	3.700-845-M4,2X16-AG	Self Tapping Screws 4.2X16	2

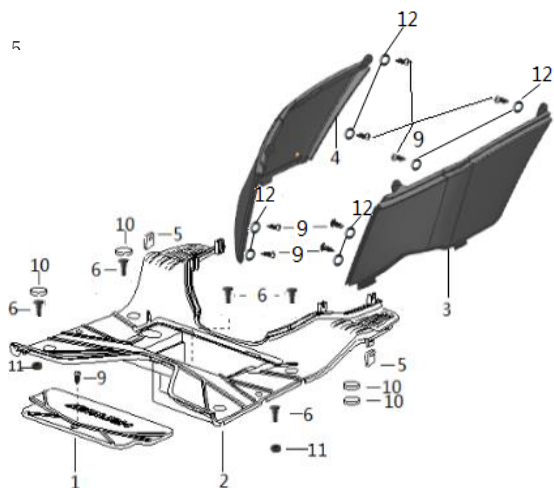
Fig. 4



后转向灯 REAR TURNING LAMP

序号	件号	英文名称	数量
Ref No.	Part No.	English Description	Q'ty
1	3.602-FL125-005R-000	R.R. Turning Lamp	1
2	3.602-FL125-005L-000	R.L. Turning Lamp	1
3	3.602-FL125-005L-001	Front Cover (Left)	1
4	3.602-FL125-005L-002	Reflector (Left)	1
5	3.602-FL125-005L-003	Base, Rear Turning Lamp (Left)	1
6	3.602-FL125-005R-003	Base, Rear Turning Lamp (Right)	1
7	3.602-FL125-005R-002	LED Light Assy. (Right)	1
8	3.602-FL125-005R-001	Front Cover (Right)	1
9	3.700-845-M4,2X12-AG	Self Tapping Screws 4.2X12	4
10	3.700-845-M4,0X12-AG	Self Tapping Screws 4.0X12	4

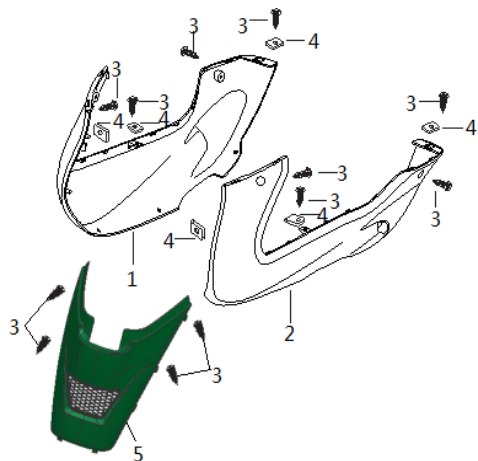
Fig. 5



脚踏板 & 左右护板 FLOOR PANEL & SIDE COVER

序号	件号	英文名称	数量
Ref No.	Part No.	English Description	Q'ty
1	3.402-12T6-005-P (HANWAY)	Cover, Battery (HANWAY)	1
2	3.402-12T6-004-P	Foot Pedal	1
3	3.402-FL125-L-0008-P	Left Connecting Plate, Main Cover	1
4	3.402-FL125-R-0008-P	Right Connecting Plate, Main Cover	1
5	3.700-ST-CP-AG	ST Clip	2
6	3.212-6X16-8X5	Shoulder Bolt M6X16-φ8X5	5
9	3.700-845-M4,2X12-AG	Self Tapping Screws 4.2X12	9
10	3.508-050F-001	Foot Pedal Cover	4
11	3.700-6177-M6-AG	Flange Nuts M6	2
12	3.700-95-Φ4,5X12-AG	washerφ4,5X12X1	8

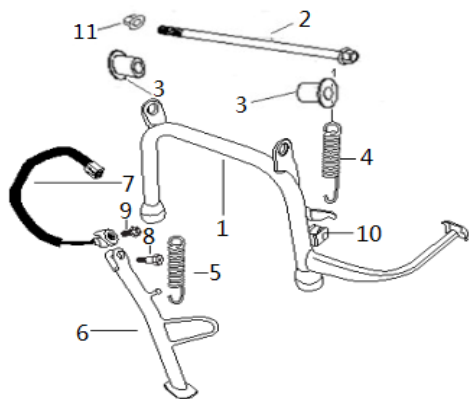
Fig. 6



(脚踏)下护板 LOWER SIDE COVER

序号	件号	英文名称	数量
Ref No.	Part No.	English Description	Q'ty
1	3.402-FL125-0013R-P	Rear Right Strip	1
2	3.402-FL125-0013L-P	Rear Left Strip	1
3	3.700-845-M4,2X12-AG	Self Tapping Screws 4.2X12	12
4	3.700-ST-CP-AG	ST Clip	6
5	3.402-FL125-0007-P	Main Cover	1

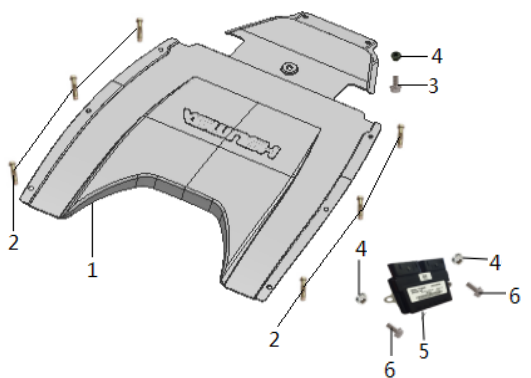
Fig. 7



中撑边撑 MAIN STAND SIDE STAND

序号	件号	英文名称	数量
Ref No.	Part No.	English Description	Q'ty
1	2.204-125TL-002	Main Stand	1
2	3.203-125TL-005	Main Stand Shaft	1
3	3.203-125TL-003	Bush1, Main Stand Shaft	2
4	3.203-125TL-001	Spring, Main Stand	1
5	3.203-12T6-80	Spring, Side Stand	1
6	3.205-FL125-001	Side Stand	1
7	3.617-125TL-001	Side Stands Switch	1
8	3.212-12T6-0015	Bolt, Side Stands	1
9	3.700-5789-M6X12-AG	Flange Bolt M6×12	1
10	3.204-125TL-003	Buffer Set, Main Stand	1
11	3.700-6187-M8-AG	Self-locking Nut M8	1

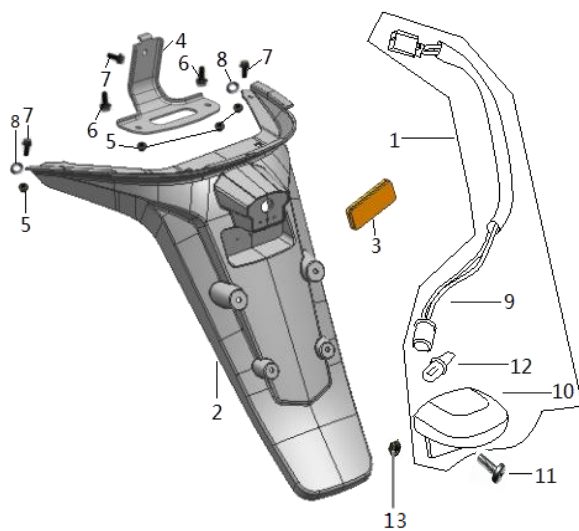
Fig. 8



油箱档泥板 REAR FENDER,INNER

序号	件号	英文名称	数量
Ref No.	Part No.	English Description	Q'ty
1	3.402-FL125-0010-P	Fuel Tank Fender	1
2	3.212-PZLS-6,5	Expansion Screw	6
3	3.700-5789-M6X12-AG	Flange Bolt M6X12	1
4	3.700-6177-M6-AG	Flange Nut M6	3
5	8.RA-11-005-I	ECU	1
6	3.700-5789-M6X16-AG	Flange Bolt M6X16	2

Fig. 9



后泥板 REAR FENDER

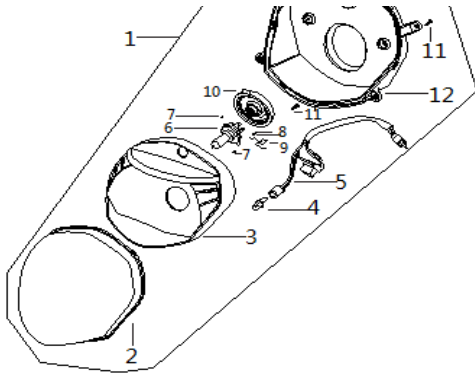
序号	件号	英文名称	数量
Ref No.	Part No.	English Description	Q'ty
1	3.602-12T6-004-000	Rear License Plate Lamp Assy.	1
2	3.402-FL125-0011-P	Rear Fender	1
3	3.C601-050F-001	Rear Reflector	1
4	3.202-FL125-006	Bracket, Rear Fender	1
5	3.700-6177-M6-AG	Flange Nut M6	4
6	3.700-5789-M6X16-AG	Flange Bolt M6X16	2
7	3.700-5789-M6X12-AG	Flange Bolt M6X12	2
8	3.700-95-Φ6X18-AG	Flat Gasket Φ6XΦ18	2
9	3.602-12T6-004-001	Wiring Harness	1
10	3.602-12T6-004-002	Cover, Rear License Plate Lamp	1
11	3.700-818-Y-M5X16-AG	Bolt M5X16	1
12	3.615-W5W-12V5W	Lamp Bulb W5W 12V	1
13	3.700-6177-M5-AG	Nut M5	1

Fig. 10



前大灯 Head Lamp

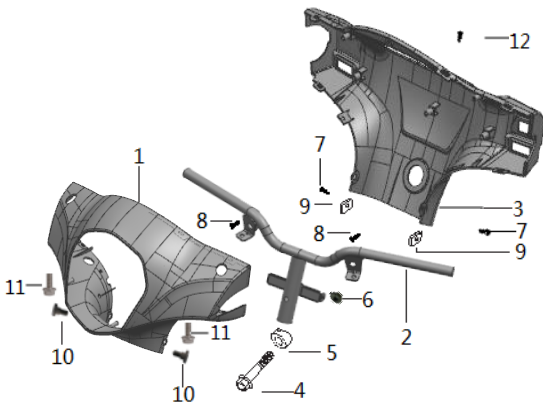
序号	件号	英文名称	数量
Ref No.	Part No.	English Description	Q'ty
11			



1	3.602-12T6-001-000	Head Lamp Assy	1
2	3.602-12T6-001-001	Head Lamp House	1
3	3.602-12T6-001-002	Front Reflector	1
4	3.602-12T6-001-003	Lamp Bulb 12V 5W	1
5	3.602-12T6-001-004	Wiring Harness	1
6	3.615-S2-12V35W35W	Lamp Bulb 12V 35W	1
7	3.700-845-M2,9X8-AG	Self Tapping Screws 2.9X8	3
8	3.602-12T6-001-005	Gasket	1
9	3.602-12T6-001-006	Spring Clip	1
10	3.602-12T6-001-007	Dustproof Rubber	1
11	3.700-845-M4,2X12-AG	Self Tapping Screws 4.2X12	5
12	3.602-12T6-001-008	Headlamp Base	1

Fig. 11

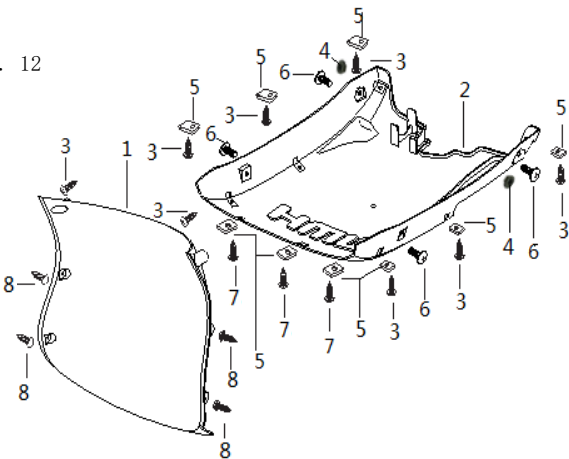
头罩&方向把&仪表罩 Head Shell&Handle Bar&Speedometer Cover



序号	件号	英文名称	数量
Ref No.	Part No.	English Description	Q'ty
1	3.403-FL125-001	Head Cover	1
2	3.207-FL125-001-001	Handle Bar Assy	1
3	3.403-FL125-002	Speedometer Cover	1
4	3.700-5789-M10X50-AG	Flange Bolt M10X50	1
5	3.212-SJK-Ag	Shaft Sleeve	1
6	3.700-6187-M10-AG	Self-locking Nut M10	1
7	3.700-845-M4,2X12-AG	Self-Tapping Screw ST4.2X12	3
8	3.700-845-M4,2X16-AG	Self-Tapping Screw ST4.2X16	2
9	3.700-ST-CP-AG	ST Clip	2
10	3.700-818-M6X12-AG	Bolt M6X12	2
11	3.700-5789-M6X16-AG	Flange Bolt M6X16	2
12	3.700-845-M4,2X12-S8-AG	Self-Tapping Screw ST4,2X12 S8	1

Fig. 12

车架挡泥板 FENDER frame BODY



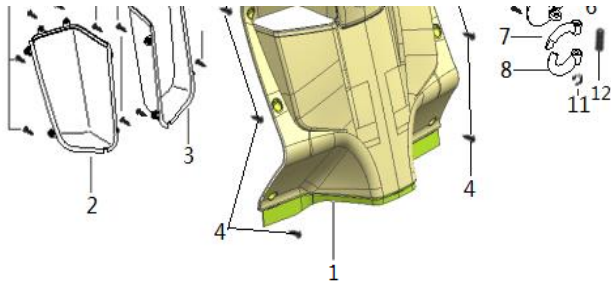
序号	件号	英文名称	数量
Ref No.	Part No.	English Description	Q'ty
1	3.402-12T6-0003-P	Front Fender, Frame	1
2	3.402-12T6-0006-P	Rear Fender, Frame	1
3	3.700-845-M4,2X12-AG	Self-Tapping Screw ST4.2X12	8
4	3.700-6177-M6-AG	Flange Nut M6	2
5	3.700-ST-CP-AG	ST Clip	9
6	3.700-5789-M6X12-AG	Flange Bolt M6X12	4
7	3.700-845-M4,8X16-AG	Self-Tapping Screw ST4.8X16	3
8	3.700-845-M4,2X16-AG	Self-Tapping Screw ST4,2X16	4

Fig. 13

前挡风 Front Shield

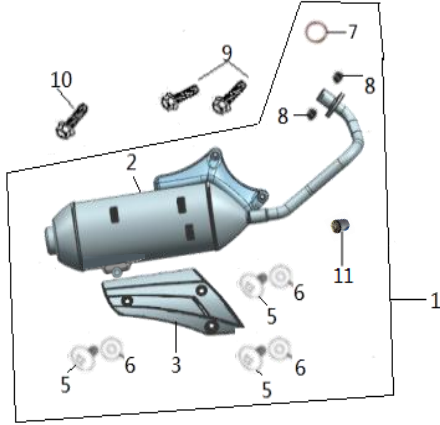


序号	件号	英文名称	数量
Ref No.	Part No.	English Description	Q'ty
1	3.402-FL125-0001-P	Front Shield	1
2	3.402-12T6-0002L-P	Left Box	1
3	3.402-12T6-0002R-P	Right Box	1



4	3.700-845-M4,2X12-AG	Self-Tapping Screw ST4.2X12	26
5	3.403-12T6-007	Decorative Plate(milk white)	1
6	3.402-FL125-0017-P	Hook Base	1
7	3.402-FL125-0016-P	Hook, Upper	1
8	3.402-FL125-0015-P	Hook, Lower	1
9	3.700-947-M6X16-AG	Pan Head Bolt M6x16	1
10	3.402-FL125-0014-P	Pin	1
11	3.402-FL125-0013-P	Circlip	1
12	3.402-FL125-0012-P	Spring	1

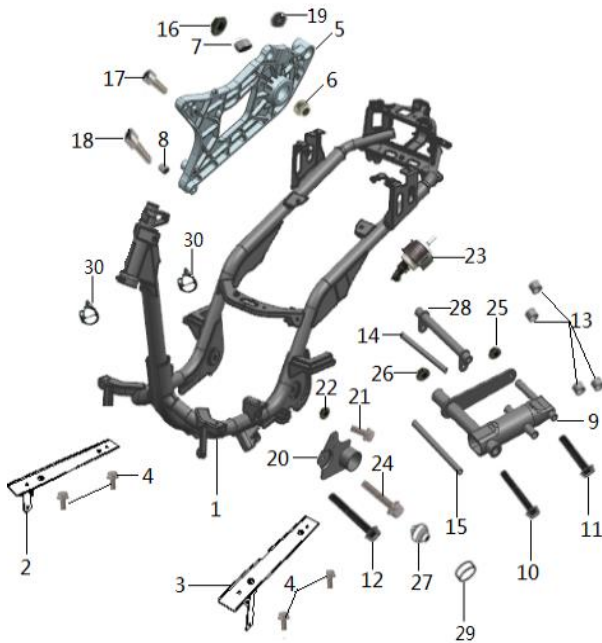
Fig. 14



消音器 MUFFLER

序号	件号	英文名称	数量
Ref No.	Part No.	English Description	Q'ty
1	2.225-FL125-001-001	Muffler Assy	1
2	3.225-FL125-001-001	Muffler	1
3	3.225-FL125-001-002	MUFFLER Cover	1
4	3.225-FL125-001-003	Bolt	2
5	3.225-FL125-001-005	Flat Gasket	2
6	3.225-FL125-001-004	Washer	1
7	3.700-923-M8X18-SS	Cap Nut M8	2
8	3.700-5789-M10X45X1,5-B	Flange Bolt M10X45	2
9	3.700-5789-M10X100X1,5-B	Flange Bolt M10X100	1
10	3.700-5789-M10X100X1,5-B	Flange Bolt M10X100	1
11	3.225-CM-42*130		1

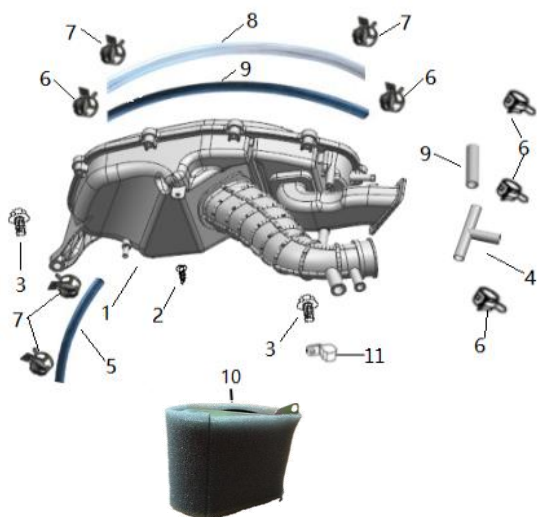
Fig. 15



车架 FRAME

序号	件号	英文名称	数量
Ref No.	Part No.	English Description	Q'ty
1	3.201-FL125-001	Frame	1
2	3.202-12T6-004R	Right Bracket, Floor Panel	1
3	3.202-12T6-004L	Left Bracket, Floor Panel	1
4	3.700-5789-M6X12-AG	Flange Bolt M6x10	4
5	3.206-FL125-001-001	Engine Fork	1
6	3.212-ZT-17X25X44	Inner Bush	1
7	3.212-ZT-17X25X5	Outer Bush	1
8	3.212-ZT-8,5X20X12	Lower Bush	1
9	3.209-FL125-001-001	Bracket,Engine	1
10	3.212-12X235	Shaft Hanger	1
11	3.212-10X193	Shaft Hoisting	1
12	3.212-12X300	Rocker Shaft	1
13	3.209-FL125-002-003	Bearing	4
14	3.209-FL125-002-001	Bush, Rocker	2
15	3.209-FL125-002-002	Bush	1
16	3.700-6187-M16-AG		1
17	3.700-70/1-M8X35-SS	Bolt M8X35	1
18	3.700-70/1-M8X55-SS	Bolt M8X55	1
19	3.220-NK125-002R-001	Cushion, Engine Fork	1
20	3.202-FL125-008	Stand, Engine Bracket	1
21	3.700-5789-M8X20-AG	Flange Bolt M8x20	1
22	3.700-6187-M8-AG	Self-locking Nut M8	1
23	3.410-i-FL125-001	High pressure fuel filter	1
24	3.700-5789-M10X80-AG	Flange Bolt M10x80	1
25	3.700-6177-M10-AG	Flange Nut M10	1
26	3.700-6177-M12-AG	Flange Nut M12	1
27	3.502-FL125-001	Buffer Set, Engine Bracket	1
28	3.209-FL125-002	Arm, Engine Bracket	1
29	3.502-125TL-021	Cap,Engine bracket	1
30	3.212-XSXJ-001	Clip	2

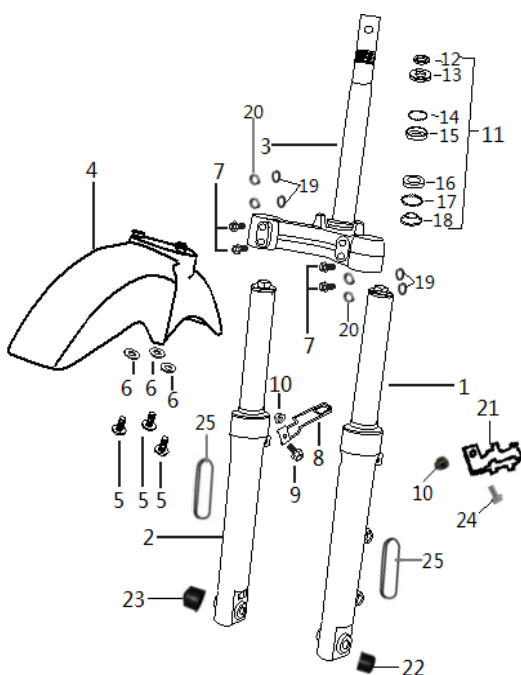
Fig. 16



空滤器 AIR Filter

序号	件号	英文名称	数量
Ref No.	Part No.	English Description	Q'ty
1	3.103-125TL-003-000	AIR Filter Assy	1
2	3.700-845-M4,8X16-AG	Self-Tapping Screw ST4.8X16	1
3	3.700-5789-M6X30-AG	Flange Bolt M6x30	2
4	3.502-0509-017	Three Way Interface	1
5	3.505-001	Fuel Pipe1	1
6	3.212-KKKH-8	Broadside Circlip \varnothing 8	5
7	3.212-KKKH-10	Broadside Circlip \varnothing 10	4
8	3.103-125TL-003-001	Fuel Pipe2	1
9	3.103-125TL-003-002	Fuel Pipe3	1
10	3.103-125TL-003-003	Filter Element	1
11	3.305-TRUER-004-011	Clamp	1

Fig. 17



前叉 Front Fork

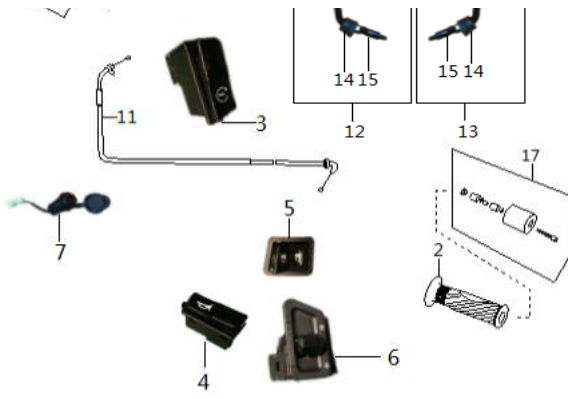
序号	件号	英文名称	数量
Ref No.	Part No.	English Description	Q'ty
1	3.213-12T6-001L	L. Front Absorber	1
2	3.213-12T6-001R	R. Front Absorber	1
3	3.216-FL125-001	Steering Stem Comp	1
4	3.403-FL125-006	Front Fender	1
5	3.700-947-M6X12-AG	Pan Head Bolt M6x12	3
6	3.700-95- \varnothing 6X18-AG	Washer \varnothing 6X \varnothing 18	3
7	3.700-5789-M8X40-AG	Flange Bolt M8x40	4
8	3.202-120D-007	Clip	1
9	3.700-5789-M6X16-AG	Flange Bolt M6x16	1
10	3.700-6177-M6-AG	Flange Nut M6	2
11	3.217-12T6-001-000	Bearing, Steering Stem	1
12	3.217-12T6-001-001	Upper Lock Nut, Steering	1
13	3.217-12T6-001-002	Lower Lock Nut, Steering	1
14	3.217-050F-001-004	Steel Balls, Upper Bearing	1
15	3.217-050F-001-005	Lower Race, Upper Bearing	1
16	3.217-050F-001-006	Upper Race, Lower Bearing	1
17	3.217-050F-001-007	Steel Balls, Lower Bearing	1
18	3.217-050F-001-008	Lower Circlip, Lower Bearing	1
19	3.700-93-M6-AG	Washer	4
20	3.700-95- \varnothing 8X16-AG	Gasket	4
21	3.202-HC125-005	Clip	1
22	3.502-RAW (S) -015	Right Tarpaulin	1
23	3.502-RAW (S) -016	Left Tarpaulin	1
24	3.700-5789-M6X20-AG	Flange Bolt M6x20	1
25	3.610-128A-001	Front Reflector	2

Fig. 18



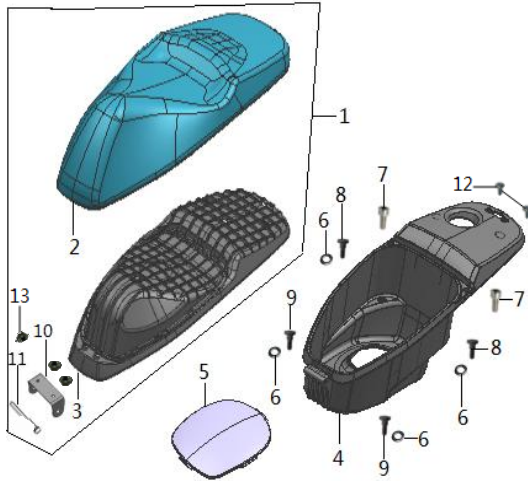
手把开关 Handle Switch

序号	件号	英文名称	数量
Ref No.	Part No.	English Description	Q'ty
1	3.504-FL125-001R	Right Handle Rubber	1
2	3.504-FL125-001L	Left Handle Rubber	1
3	3.614-FL125-001	Electric Start Switch	1
4	3.614-FL125-002	Horn Switch	1
5	3.614-FL125-003	Switch Distance Light	1



6	3.614-FL125-004	Indicator Control	2
7	3.607-GP125-001	USB charger base	1
8	3.614-FL125-005	Attention Switch	1
11	3.503-FL125-002	Throttle Cable	1
12	3.405-FL125-001R	Right Rear View Mirror	1
13	3.405-FL125-001L	Left Rear View Mirror	1
14	3.405-FL125-001-001	Rubber Sleeve	2
15	3.405-FL125-001-002	Nut	2
16	3.700-818-Y-M5X20-SS	Bolt M5X20	1
17	3.224-FL125-000	Balancer	2
18	3.212-FL125-002	Throttle Base (upper)	1
19	3.212-FL125-003	Throttle Base (lower)	1

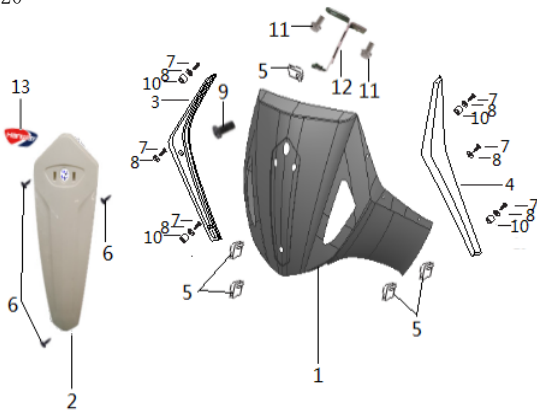
Fig. 19



座垫置物箱 SEAT CASE

序号	件号	英文名称	数量
Ref No.	Part No.	English Description	Q'ty
1	2.408-FL125-001-001	Seat Assy	1
2	3.408-FL125-001-001	Seat	1
3	3.408-FL125-001-002	Bottom Plate	1
4	3.402-FL125-0018-P	Seat Cask	1
5	3.402-FL125-0019-P	Cover, Seat Cask	1
6	3.700-95-Φ6X18-AG	Gasket φ6Xφ18	4
7	3.700-70/1-M6X20-AG	Bolt M6X20	2
8	3.212-6X16-8X2,5	Shoulder Bolt M6X16-φ8X2,5	2
9	3.212-6X16-8X4	Shoulder Bolt M6X16-φ8X4	2
10	3.408-FL125-001-003	Moveable Settle, Seat	1
11	3.408-FL125-001-004	Shaft	1
12	3.700-818-M6X12-AG	Bolt M6X12	2
13	3.700-6177-M6-AG	Flange Nut M6	3

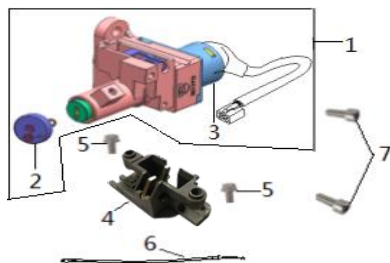
Fig. 20



前面板组合 Front Panel Combination

序号	件号	英文名称	数量
Ref No.	Part No.	English Description	Q'ty
1	3.403-FL125-003	Front panel	1
2	3.403-FL125-004	decorating plate,Front panel	1
3	3.402-FL125-0020R-P	Right decorating plate,Front panel	1
4	3.402-FL125-0020L-P	Left decorating plate,Front panel	1
5	3.700-ST-CP-AG	ST clamp	5
6	3.700-845-M4,2X12-AG	Self-tapping Screw ST4,2X12	3
7	3.700-845-M2,8X8-AG	Self-tapping Screw ST2,8X8	6
8	3.700-95-Φ4X8X1-AG		6
9	3.700-818-M6X16-AG	Bolt M6X16	1
10	3.212-ZT-6X8X5	Bush	4
11	3.700-5789-M6X12-AG	Flange bolt M6X12	2
12	3.202-FL125-007	Bracket,Front panel	1
13	3.407-FLASH125-003	Decal,Front panel	1

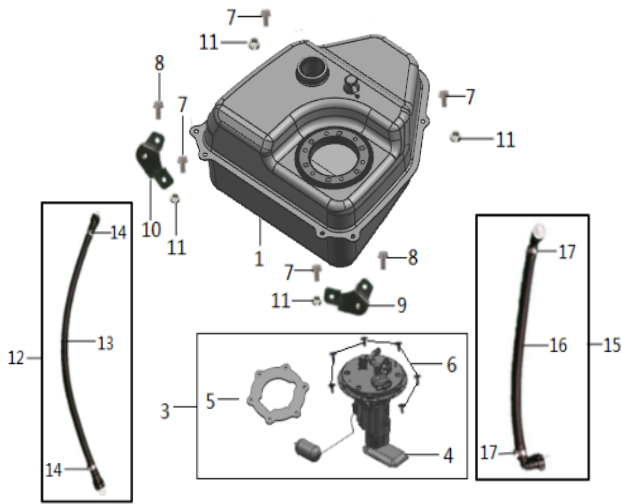
Fig. 21



锁总成 Lock Assy

序号	件号	英文名称	数量
Ref No.	Part No.	English Description	Q'ty
1	3.608-i-FL125-001-000	Lock assy	1
2	3.608-i-FL125-001-001	Start-up Lock cap	1
3	3.608-i-FL125-001-002	Start-up Lock	1
4	3.608-050F-007	Bracket,seat lock	1
5	3.700-5789-M6X12-AG	Flange bolt M6X12	2
6	3.503-FL125-007	Seat Lock line	1

Fig. 22



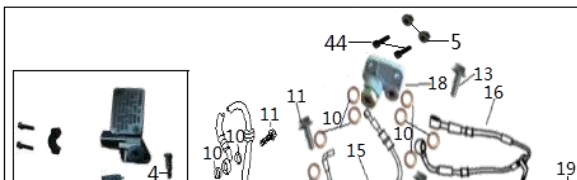
7	3.700-70/1-M6X20-AG	Bolt M6X20	2
---	---------------------	------------	---

油箱 Fuel Tank

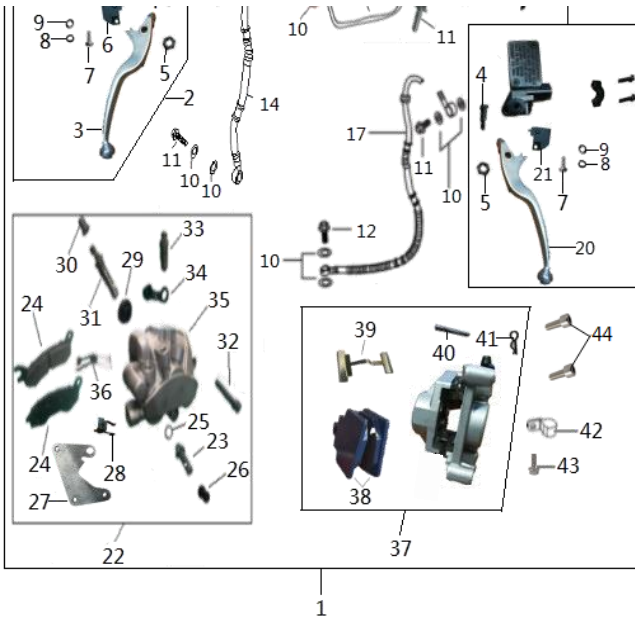
序号	件号	英文名称	数量
Ref No.	Part No.	English Description	Q'ty
1	3.409-i-FL125-001	Fuel Tank	1
3	3.620-FL125-001-000	Fuel pump assy	1
4	3.620-FL125-001-001	Fuel pump	1
5	3.620-FL125-001-002	Sealing ring,Fuel pump	1
6	3.700-5789-M5X10-AG	Flange bolt M5X10	6
7	3.700-5789-M6X12-AG	Flange bolt M6X12	4
8	3.700-5789-M6X16-AG	Flange bolt M6X16	2
9	3.202-FL125-005L	Left bracket,Fuel tank	1
10	3.202-FL125-005R	Right bracket,Fuel tank	1
11	3.700-6177-M6-AG	Flange bolt M6	4
12	3.505-FL125-001	High-pressure oil tube assy A(LONG)	1
13	3.505-FL125-001-001	High-pressure oil tubeA(LONG)	1
14	3.505-FL125-001-002	Hoop,High-pressure oil tube	2
15	3.505-FL125-002	High-pressure oil tube assy B(SHORT)	1
16	3.505-FL125-002-001	High-pressure oil tubeB(SHORT)	1
17	3.505-FL125-002-002	Hoop,High-pressure oil tube	2

Fig. 23

CBS联动

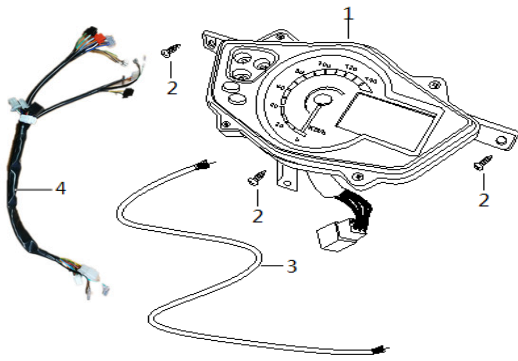


序号	件号	英文名称	数量
Ref No.	Part No.	English Description	Q'ty
1	3.305-i-FL125-001	Front and rear brake assy(CBS)	1
2	3.305-i-FL125-001-001	Cylinder Assy,Upper	1
3	3.305-i-FL125-001-002	RH.Lever	1
4	3.700-5789-M6X30-AG	Flange bolt M6X30	2
5	3.700-6177-M6-AG	Flange bolt M6	3
6	3.305-i-FL125-001-003	Front Brake Switch Comp.	1
7	3.305-i-FL125-001-004	Bolt	1
8	3.305-i-FL125-001-005	Spring washer	2
9	3.305-i-FL125-001-006	Gasket	2
10	3.C305-050F-001-005	Washer	16
11	3.212-5789-M10X1,25X22-AG	Bolt M10X1,25×22	5
12	3.212-5789-M10X1X32-AG	Bolt M10X1X32	1



13	3.212-5789-M10X1X22-AG	Bolt M10X1X22	1
14	3.305-i-FL125-001-007	Fuel pipe, Front Cylinder Assy,Upper	1
15	3.305-i-FL125-001-008	Fuel pipe, Rear Lower Pump Comp	1
16	3.305-i-FL125-001-009	Fuel pipe, Front Lower Pump Comp	1
17	3.305-i-FL125-001-010	Fuel pipe, Rear Cylinder Assy,Upper	1
18	3.305-i-FL125-001-011	valve body,CBS	1
19	3.305-i-FL125-001-012	Rear Cylinder Assy,Upper	1
20	3.305-i-FL125-001-013	LH.Lever	1
21	3.305-i-FL125-001-014	Rear Brake Switch Comp	1
22	3.305-i-FL125-001-015	Front Lower Pump Comp	1
23	3.C305-12Y2-003-002	Guide Pin	1
24	3.C305-12Y2-003-003	Pad Set	2
25	3.C305-12Y2-003-004	Washer	1
26	3.C305-12Y2-003-005	Cap.Bush	1
27	3.305-i-FL125-001-016	Carrier Set,Caplier	1
28	3.305-i-FL125-001-017	Clip	1
29	3.C305-12Y2-003-007	Boot,Guide Pin	1
30	3.C305-12Y2-003-008	Nut	1
31	3.C305-12Y2-003-009	Guide Pin	1
32	3.305-12Y2-003-010	Bolt	1
33	3.305-12Y2-003-011	Bleeder	2
34	3.305-12Y2-003-012	Cap,Bleeder	2
35	3.305-GT125-001-010	Bed.Caliper	1
36	3.305-12Y2-003-013	Spring,Pad	1
37	3.305-i-FL125-001-018	Rear Lower Pump Comp	1
38	3.305-GT125-001-009	Pad,Set	2
39	3.305-GT125-001-012	Spring,Pad	1
40	3.305-i-FL125-001-019	Guide Pin	1
41	3.305-i-FL125-001-020	Clip	1
42	3.305-TRUER-004-011	Clamp	1
43	3.700-5787-M6X12-AG	Flange bolt M6X12	1
44	3.700-5789-M8X32-AG	Flange bolt M8X32	2

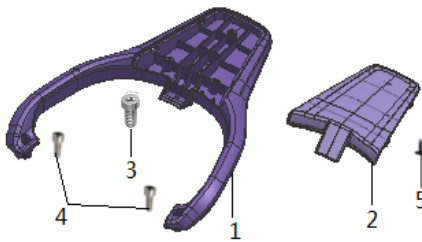
Fig. 24



仪表 SPEEDOMETER

序号	件号	英文名称	数量
Ref No.	Part No.	English Description	Q'ty
1	2.601-i-FL125-001-000	Speedometer assy	1
2	3.700-845-M4,2X12-AG	Self-tapping Screw ST4.2X12	3
3	3.503-050F-001	Cable,Speedometer	1
4	3.603-i-FL125-002	vice line	1

Fig. 25



后扶手 REAR ARMREST

序号	件号	英文名称	数量
Ref No.	Part No.	English Description	Q'ty
1	3.208-FL125-001	Rear armrest	1
2	3.208-FL125-002	Cover,Rear armrest	1
3	3.700-70/1-M8X25-AG	Bolt M8X25	1
4	3.700-70/1-M8X35-AG	Bolt M8X35	2
5	3.700-845-M4,8X16-AG	Self-tapping Screw ST4.8X16	1

Fig. 25-1

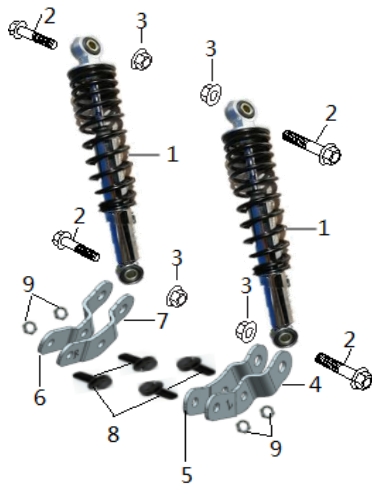


后扶手 REAR ARMREST



序号	件号	英文名称	数量
Ref No.	Part No.	English Description	Q'ty
1	3.208-FL125-001	Rear armrest	1
2	3.402-FL125-001	Rear storage box	1
3	3.202-FL125-009	Bracket I	1
4	3.202-FL125-010	Bracket II	1
5	3.700-5789-M8X12-AG	Flange Bolt M8×12	3
6	3.700-70/1-M6X20-AG	Bolt M6X20	4
7	3.700-70/1-M8X25-AG	Bolt M8X25	1
8	3.700-70/1-M8X35-AG	Bolt M8X35	2
9	3.402-FL125-002	bottom plate	1
10	3.202-FL125-011	Bracket, bottom plate	4

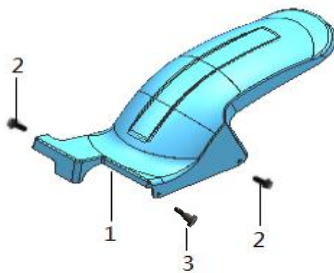
Fig. 26



后减震器 Rear Absorber

序号	件号	英文名称	数量
Ref No.	Part No.	English Description	Q'ty
1	3.214-FL125-001	Rear Absorber	2
2	3.700-5789-M10X40-AG	Flange bolt M10X40	4
3	3.700-6187-M10-AG	Self-locking nut M10	4
4	3.202-FL125-001	Outer mounting bracket,L.R.shock absorber	1
5	3.202-FL125-002	Innner mounting bracket,L.R.shock absorber	1
6	3.202-FL125-003	Outer mounting bracket,R.R.shock absorber	1
7	3.202-FL125-004	Inner mounting bracket,R.R.shock absorber	1
8	3.700-5789-M8X35-AG	Flange bolt M8X35	4
9	3.700-6187-M8-AG	Self-locking nut M8	4

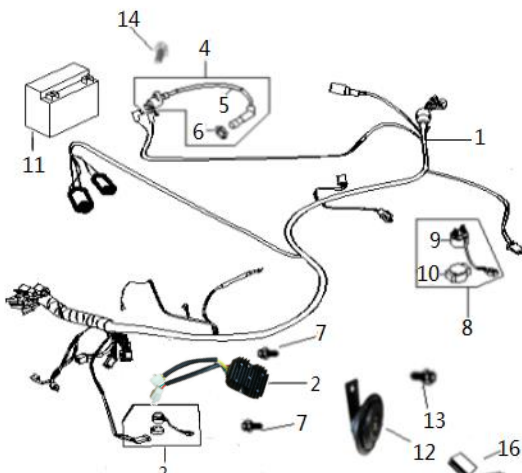
Fig. 27



后轮内泥板 Inner Fender

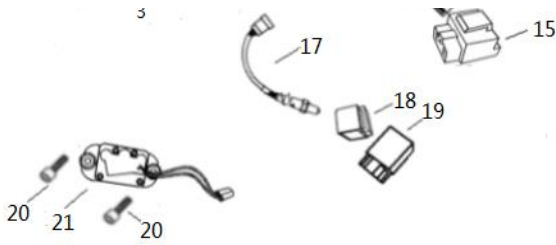
序号	件号	英文名称	数量
Ref No.	Part No.	English Description	Q'ty
1	3.402-FL125-0021-P	Inner fender,Rear wheel	1
2	3.700-5789-M6X12-AG	Flange bolt M6X12	2
3	3.212-6X16-8X2,5	Axis bolt M6X16-φ8X2,5	1

Fig. 28



电器件 Electrical

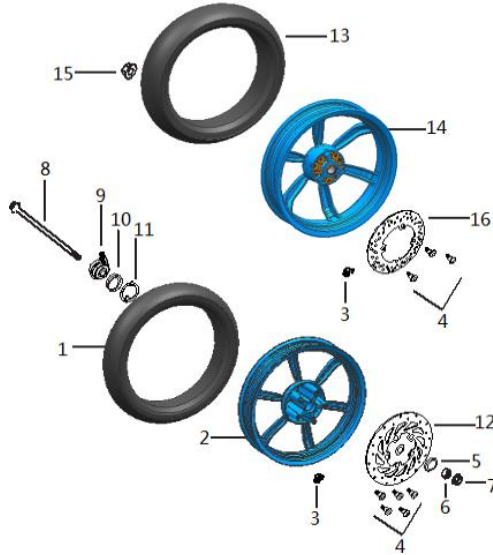
序号	件号	英文名称	数量
Ref No.	Part No.	English Description	Q'ty
1	3.603-i-FL125-001	Main Assy	1
2	8.RA-11-003-I	Regulator	1
3	3.605-05-001-000	Flasher	1
4	3.107-i-125TL-001-000	Ignition Coil Comp.	1
5	8.RA-11-001-I	Ignition Coil	1
6	8.RA-11-002-I	Cover, Ignition Coil	1
7	3.700-5789-M6X16-AG	Flange bolt M6X16	2
8	3.606-05-001-000	Starter Relay Assy	1
9	3.606-05-001-001	Starter Relay	1
10	3.606-05-001-002	Cover, Starter Relay	1
11	3.607-DB7X-4B	Battery	1
12	3.604-125	Horn Assy	1
13	3.700-5789-M6X12-AG	Flange bolt M6X12	1



14	3.700-5789-M6X35AG	Flange bolt M6X35	1
15	3.602-RAW-005-001	Control unit,headlight lighting	1
16	3.602-RAW-005-002	Rubber sleeve	1
17	8.RA-11-008-I	Oxygen sensor	1
18	3.622-200TL-001-002	Gum cover	1
19	3.622-200TL-001-001	Logic relay	1
20	3.700-70/1-M5X30-AG	Bolt M5X30	2
21	3.621-200TL-001-001	Tiltmeter	1

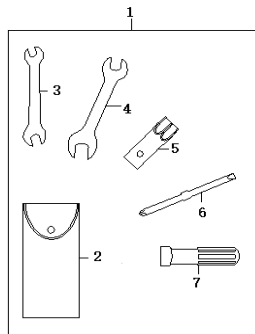
Fig. 29

前后轮总成 FRONT and REAR WHEEL ASSY



序号	件号	英文名称	数量
Ref No.	Part No.	English Description	Q'ty
1	3.501-Z100/80-16	Front Tire100/80-16	1
2	3.301-FL125-FRSD	Front Hub	1
3	3.C507-001	Air Tap	2
4	3.C212-LSDS-8X25-WZ	Bolt M8X25	8
5	3.508-YF-21X37X5	Oil Seal 1	1
6	3.212-ZT-12X21X22	Bush,Front wheel	1
7	3.700-6187-M12X1.25-WZ	Self-locking nut M12	1
8	3.212-050F-12x240	Shaft, Front Wheel	1
9	3.304-12T6-001	Speed Counter	1
10	3.301-YF-40X50X5	Oil seal 2,speed counter	1
11	3.304-12T6-002	Clamp	1
12	3.309-12T6-001F	Disc,Front Brake	1
13	3.501-Z110/80-14	Rear tire 120/80-16	1
14	3.301-FL125-RRSD	Rear hub	1
15	3.700-6187-M16X1.5-WZ	Self-locking nut M16	1
16	3.309-FL125-001R	Disc, Rear Brake	1

Fig. 30



随车工具 TOOL KIT

序号	件号	英文名称	数量
Ref No.	Part No.	English Description	Q'ty
1	3.801-001-000	Tool Kit	1
2	3.801-001-001	Tool Bag	1
3	3.801-001-10X12	Double-ended Wrench 10X12	1
4	3.801-001-14X17	Double-ended Wrench 14X17	1
5	3.801-001-002	Spark Plug Bracket	1
6	3.801-001-003	Screwdriver	1
7	3.801-001-004	Handle	1