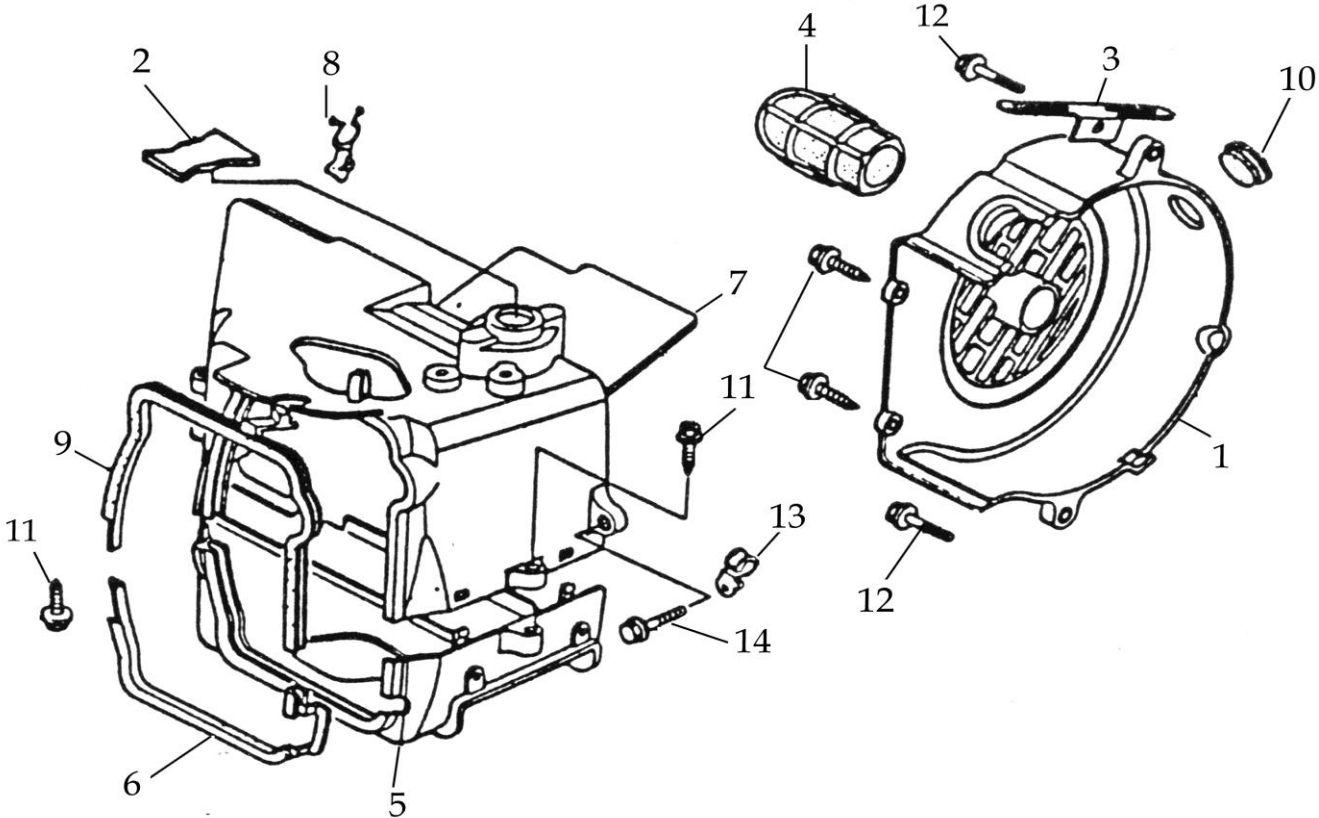


FAN COVER, SHROUD

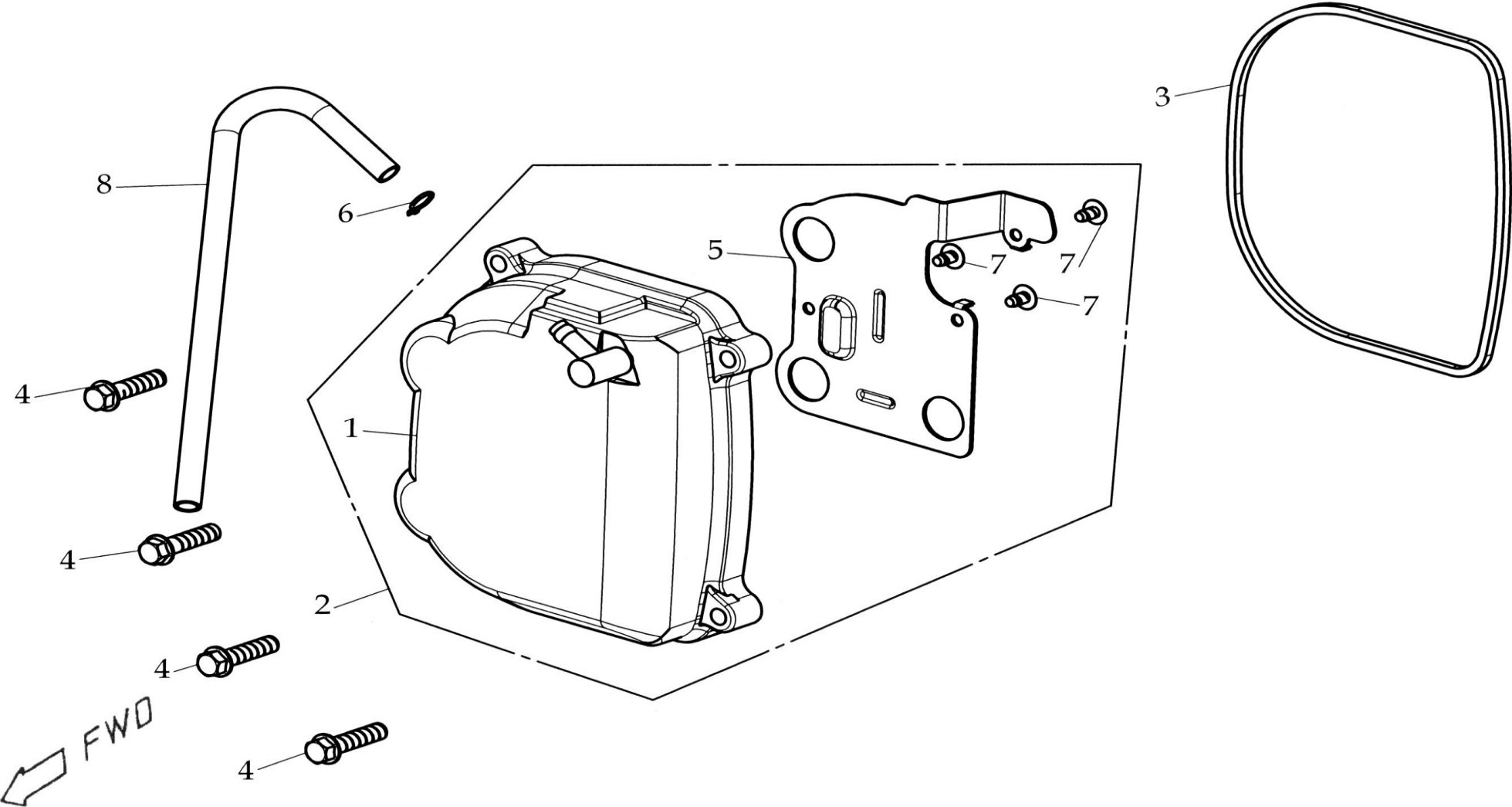


← FWD

FAN COVER, SHROUD

Model	Item	Part no	Description	Specification	Quantity
	01	E020105-00	COVER COMP,FAN		1
	02		GROMMET, SHROUD A		1
	03		CLAMPER, STARTER CABLE		1
	04		CARBURETOR COOLING DUCT		1
	05	E020108-00	SHROUD A		1
	06		SEAL, SHROUD A		1
	07	E020110-00	SHROUD B		1
	08		CLIP, HIGH TENSION CORD		1
	09		SEAL, SHROUD B		1
	10		GROMMET B,SIDE PANEL		1
	11	A130017-43	TAPPING SCREW	M5X16L	4
	12	A050121-41	BOLT,FLANGE	M6X1.0X25L	2
	13	E020113-00	CLAMPER, CARB. DRAIN TUBE		1
	14	A050016-41	BOLT,FLANGE	M6X1.0X20L	1

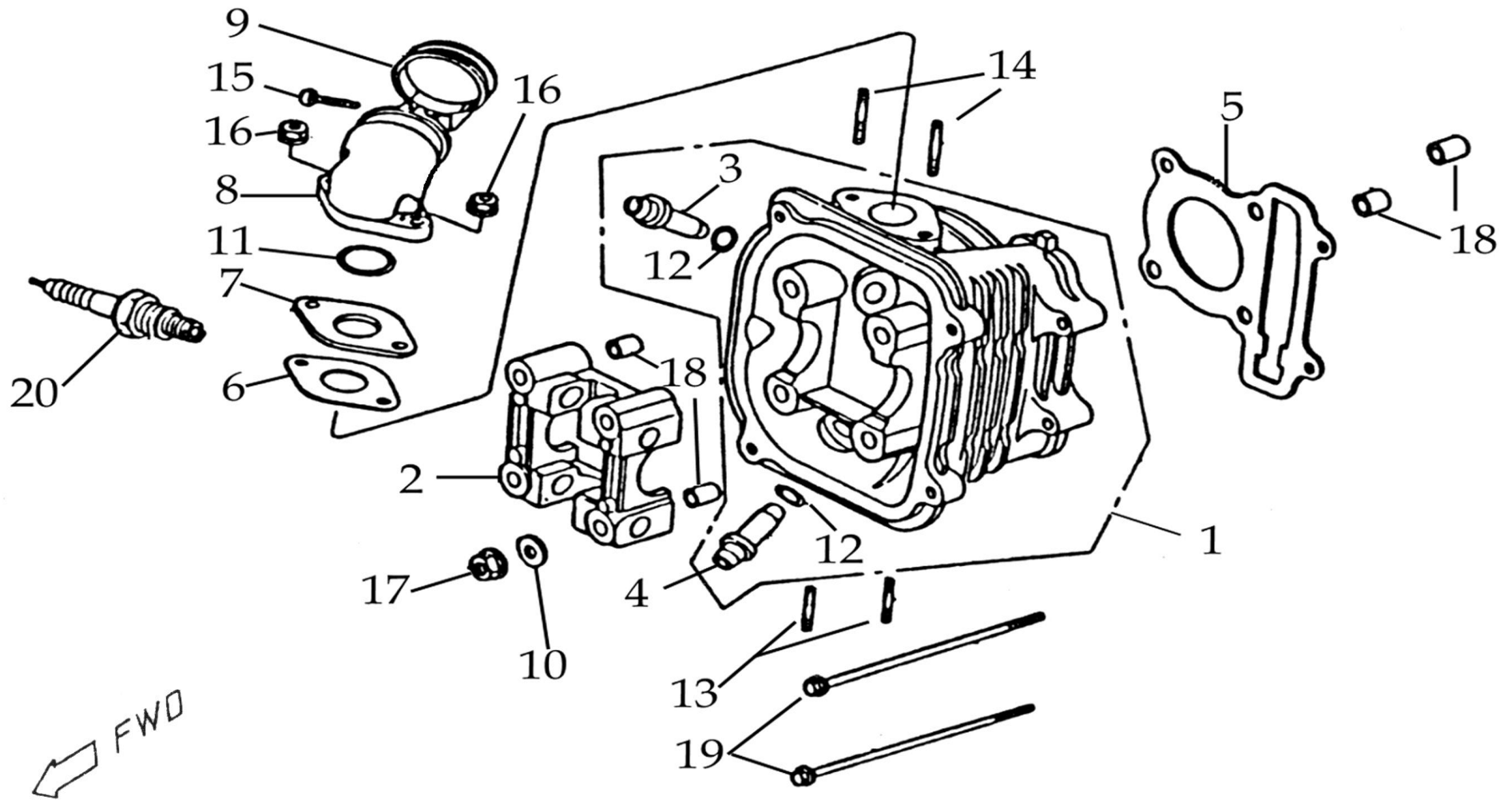
CYLINDER HEAD COVER



CYLINDER HEAD COVER

Model	Item	Part no	Description	Specification	Quantity
	01		COVER, CYLINDER HEAD		1
	02	E020187-00	CYLINDER HEAD ASS'Y		1
	03	E020116-00	GASKET, CYLINDER HEAD COVER		1
	04	A050121-41	BOLT, FLANGE	M6X1.0X25L	4
	05		PLATE		1
	06	E020152-42	TUBE CLIP	B8	1
	07		TAPPING SCREW	M4X0.7X7L	3
	08	E020115-00	BREATHER TUBE		1

CYLINDER HEAD

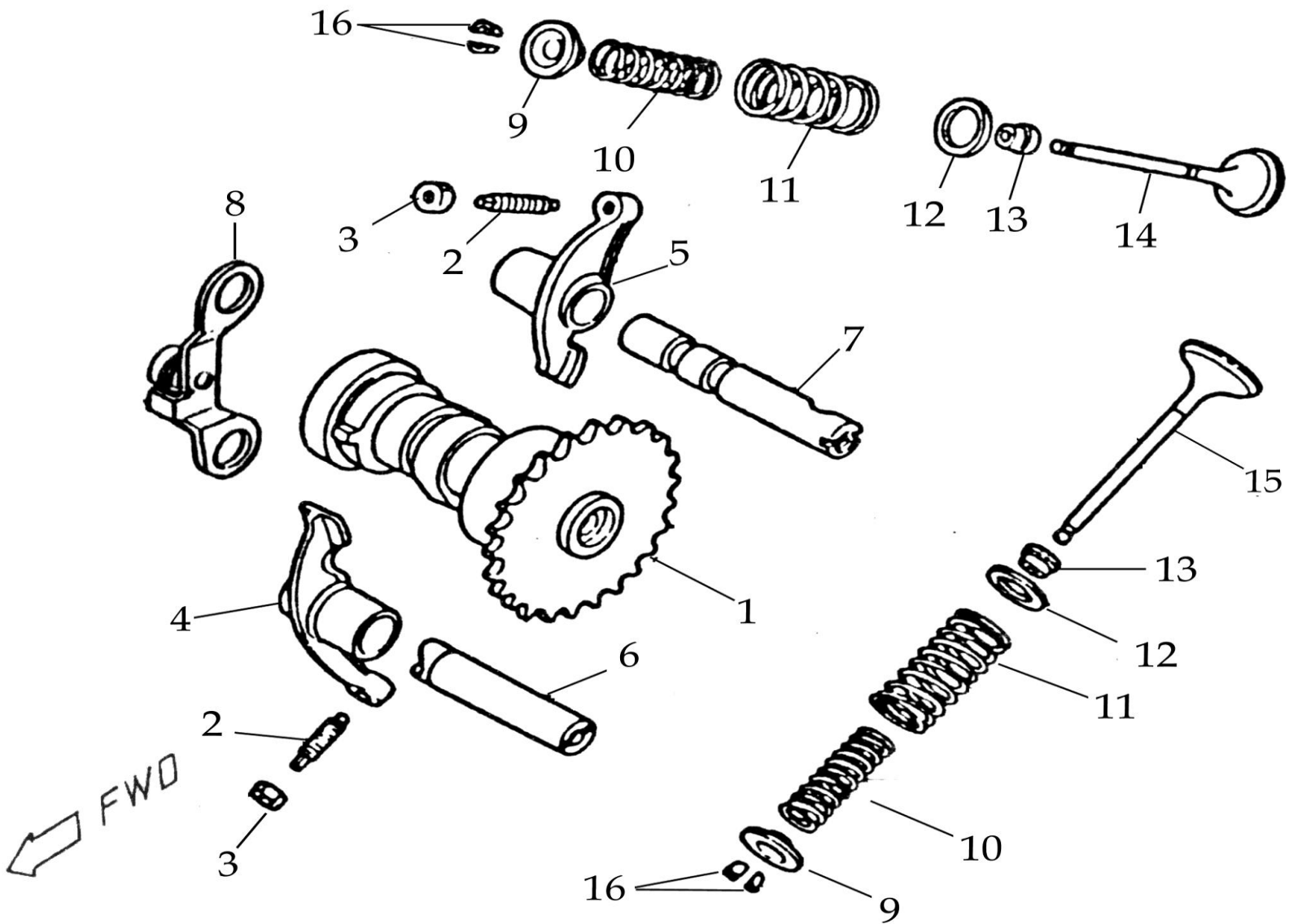


D2002-031B

CYLINDER HEAD

Model	Item	Part no	Description	Specification	Quantity
	01	E020124-00	CYLINDER HEAD COMP		1
	02	E020161-00	CAMSHAFT HOLDER		1
	03		GUIDE, IN. VALVE		1
	04		GUIDE, EX. VALVE		1
	05	E020044-00	GASKET, CYLINDER HEAD		1
	06	E020045-00	GASKET, CARBURETOR INSULATOR		1
	07	E020046-00	CARBURETOR INSULATOR		1
	08	E020047-00	INTAKE DUCT		1
	09		BAND, INTAKE DUCT		1
	10	A080025-41	WASHER	Ø8.2XØ15X2	4
	11	A040018-00	O-RING	Ø27XØ2.0	1
	12		O-RING	Ø9XØ1.6	2
	13	A140005-41	STUD BOLT	M8X32L	2
	14	A140006-41	STUD BOLT	M6X1.0X50L	2
	15		SCREW, PANHEAD	M4X0.7X25L	1
	16	A060009-41	NUT, FLANGE	M6X1.0	2
	17	A060013-41	NUT, FLANGE	M8X1.25	4
	18	A070019-00	DOWEL PIN	Ø10X16L	4
	19	A050127-41	BOLT, FLANGE	M6X1.0X100L	2
	20	A160001-00	SPARK PLUG	C7HSA NGK	1

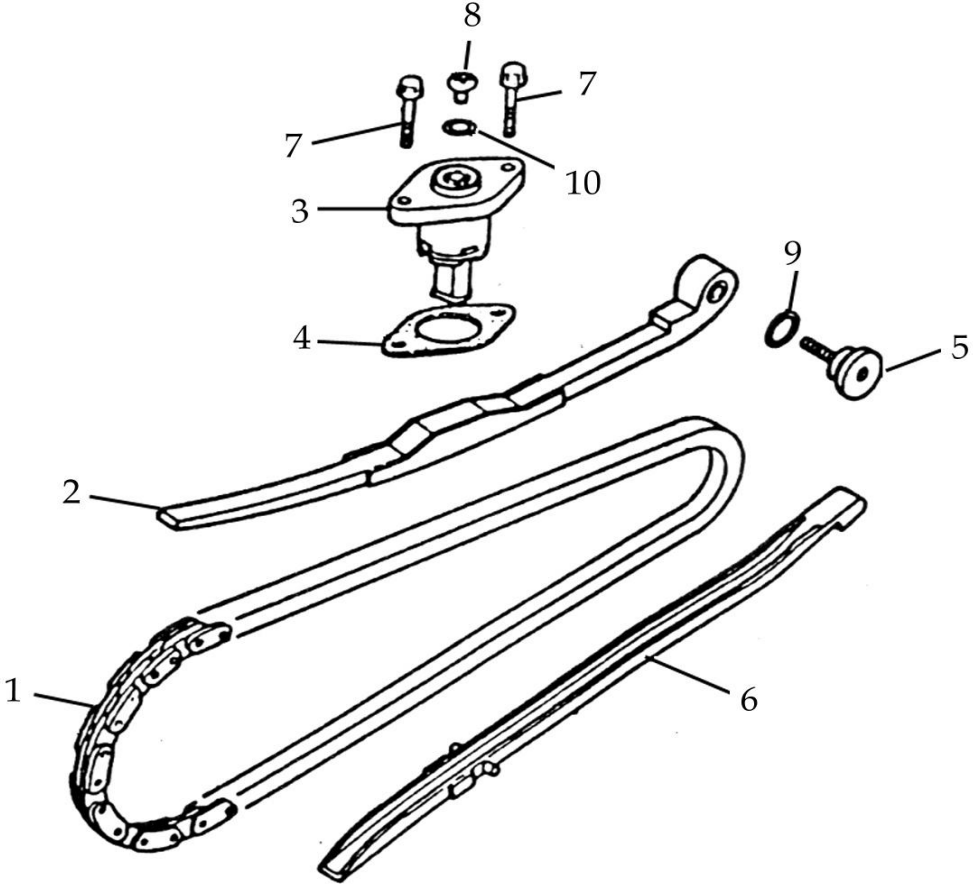
CAMSHAFT, VALVE



CAMSHAFT, VALVE

Model	Item	Part no	Description	Specification	Quantity
	01	E020165-00	CAM SHAFT		1
	02	E020061-00	SCREW, TAPPET ADJUSTING		2
	03	E020062-00	NUT, TAPPER ADJUSTING		2
	04	E020051-00	EX. VALVE ROCKER ARM		1
	05	E020186-00	IN. VALVE ROCKER ARM		1
	06	E020053-00	SHAFT COMP, EX. ROCKER ARM		1
	07	E020052-00	SHAFT COMP, IN. ROCKER ARM		1
	08	E020050-00	PLATE COMP.,STOPPER		1
	09	E020058-00	RETAINER, VALVE SPRING		2
	10	E020057-00	INNER VALVE SPRING		2
	11	E020056-00	OUTER VALVE SPRING		2
	12	E020059-00	SEAT, VALVE SPRING		2
	13	E020048-00	SEAL, VALVE STEM		2
	14	E020120-00	INTAKE VALVE		1
	15	E020121-00	EXHAUST VALVE		1
	16	E020060-00	VALVE KEEPER		4

CAM CHAIN, TENSIONER

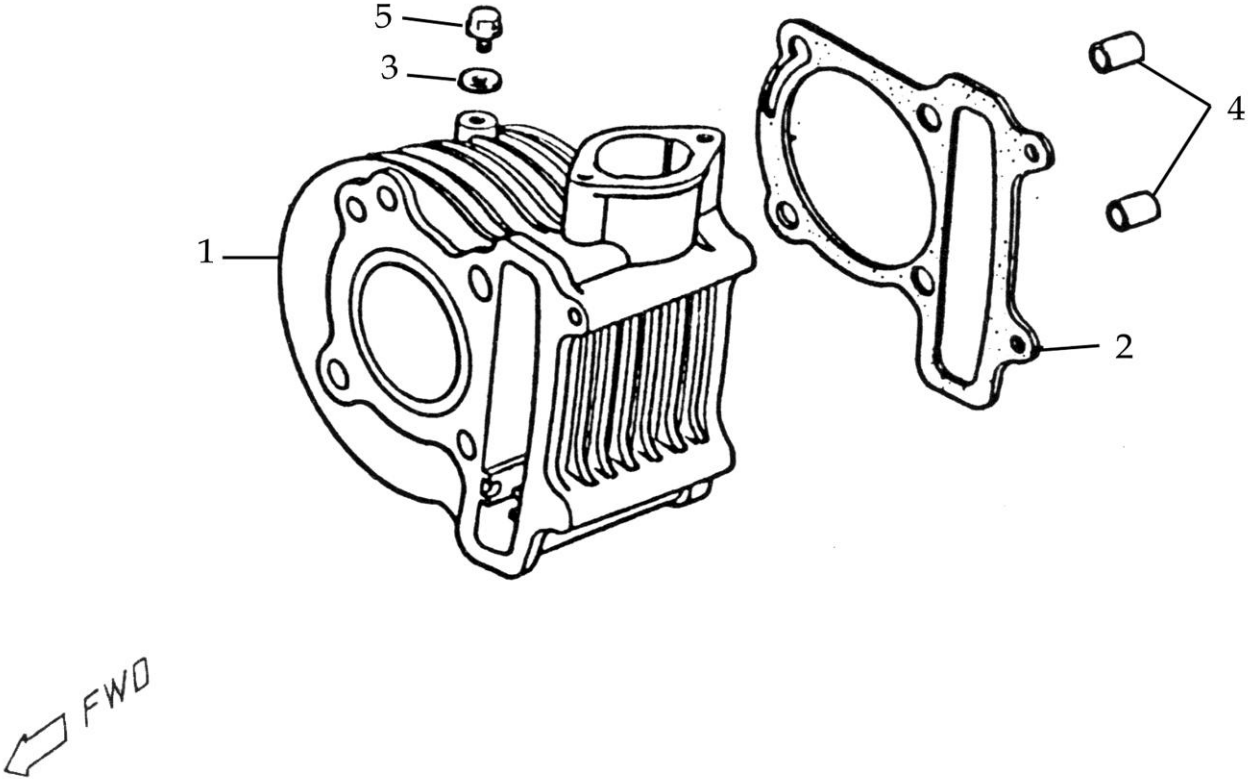


← FWD

CAM CHAIN, TENSIONER

Model	Item	Part no	Description	Specification	Quantity
	01	E020063-00	CHAIN, cam		1
	02	E020064-00	CHAIN TENSIONER GUDE		1
	03	E020065-00	CAM CHAIN TENSIONER		1
	04	E020066-00	GASKET, TENSIONER LIFTER		1
	05	E020067-00	PIVOT, CAM CHAIN TENSIONER		1
	06	E020068-00	GUIDE COMP, CAM CHAIN		1
	07	A050131-41	BOLT, FLANGE	M6X22L P1.0	2
	08	A050148-41	SCREW, PAN HEAD	M6X6L P1.0	1
	09	A040019-00	O-RING	Ø15.2XØ1.5	1
	10	A040015-00	O-RING	Ø9.5XØ1.5	1

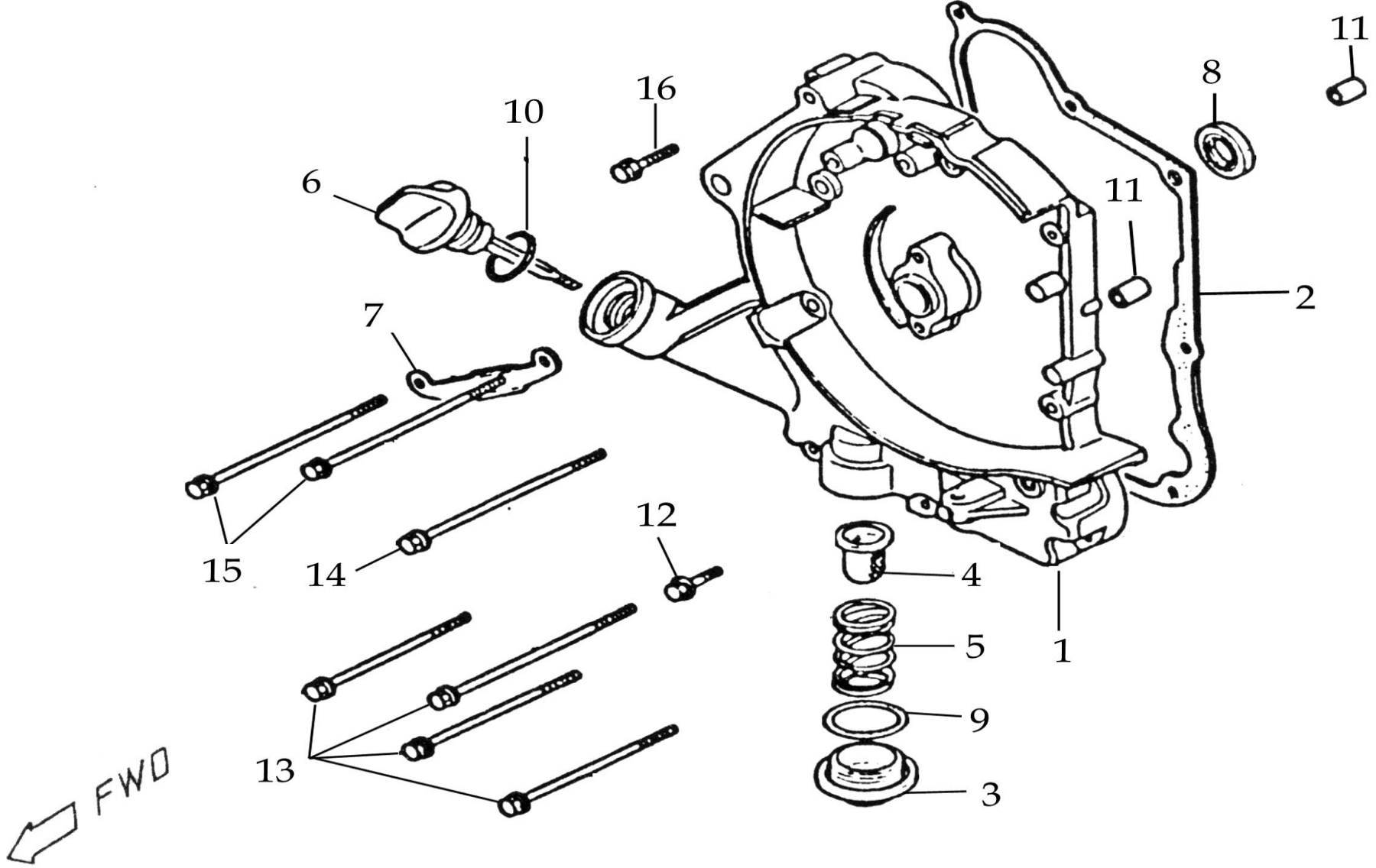
CYLINDER



CYLINDER

Model	Item	Part no	Description	Specification	Quantity
	01	E020122-00	CYLINDER COMP	$\psi 57.400 \sim \psi 57.410$	1
	02	E020123-00	GASKET, cylinder		1
	03	A080074-00	WASHER, SEALING	$\varnothing 6.5$	1
	04	A070019-00	DOWEL PIN	M10X16L	2
	05	A050017-41	BOLT, FLANGE	M6X12L P1.0	1

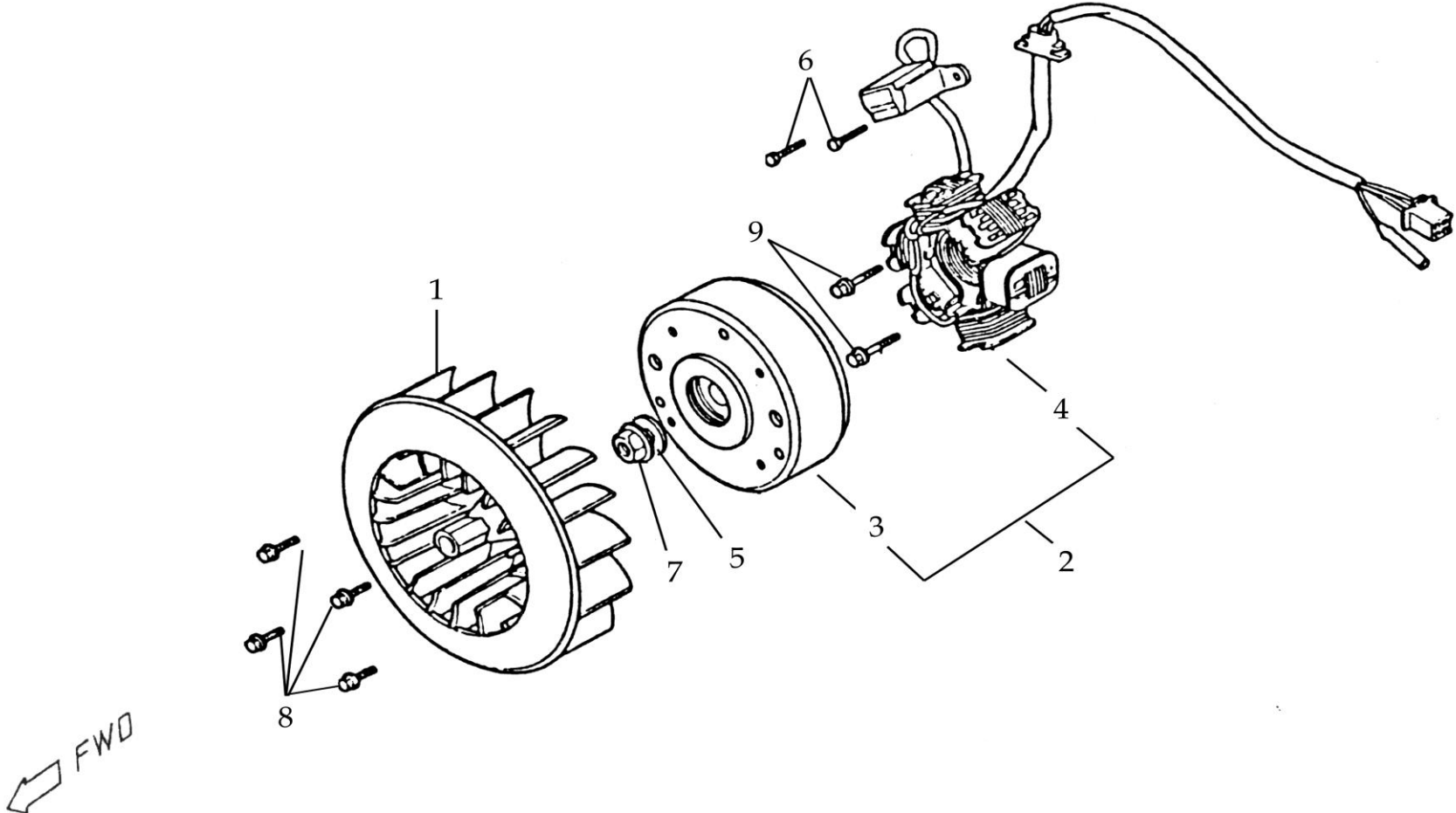
RIGHT CRANKCASE COVER



RIGHT CRANKCASE COVER

Model	Item	Part no	Description	Specification	Quantity
	01	E020036-00	COVER, R. crankcase comp		1
	02	E020039-00	GASKET, R. CRANKCASE COVER		1
	03	E020071-00	CAP, OIL FILTER		1
	04	E020072-00	SCREEN, OIL FILTER		1
	05	E020073-00	SPRING, OIL FILTER SCREEN		1
	06	E020074-00	OIL LEVEL GAUGE		1
	07	E020151-00	CLAMPER, A.C.GENERATOR CORD		1
	08	A030018-01	OIL SEAL	TCØ19.8XØ30X5-F	1
	09	A040021-00	O-RING	Ø30XØ3.5	1
	10	A040020-00	O-RING	Ø18XØ2.4	1
	11	A070018-00	DOWEL PIN	Ø8X14L	2
	12	A050124-41	BOLT, FLANGE	M6X32L P1.0	1
	13	A050126-41	BOLT, FLANGE	M6X95L P1.0	4
	14	A050127-41	BOLT, FLANGE	M6X100L P1.0	1
	15	A050128-41	BOLT, FLANGE	M6X110L P1.0	2
	16	A050069-41	BOLT, FLANGE	M6X40L P1.0	1

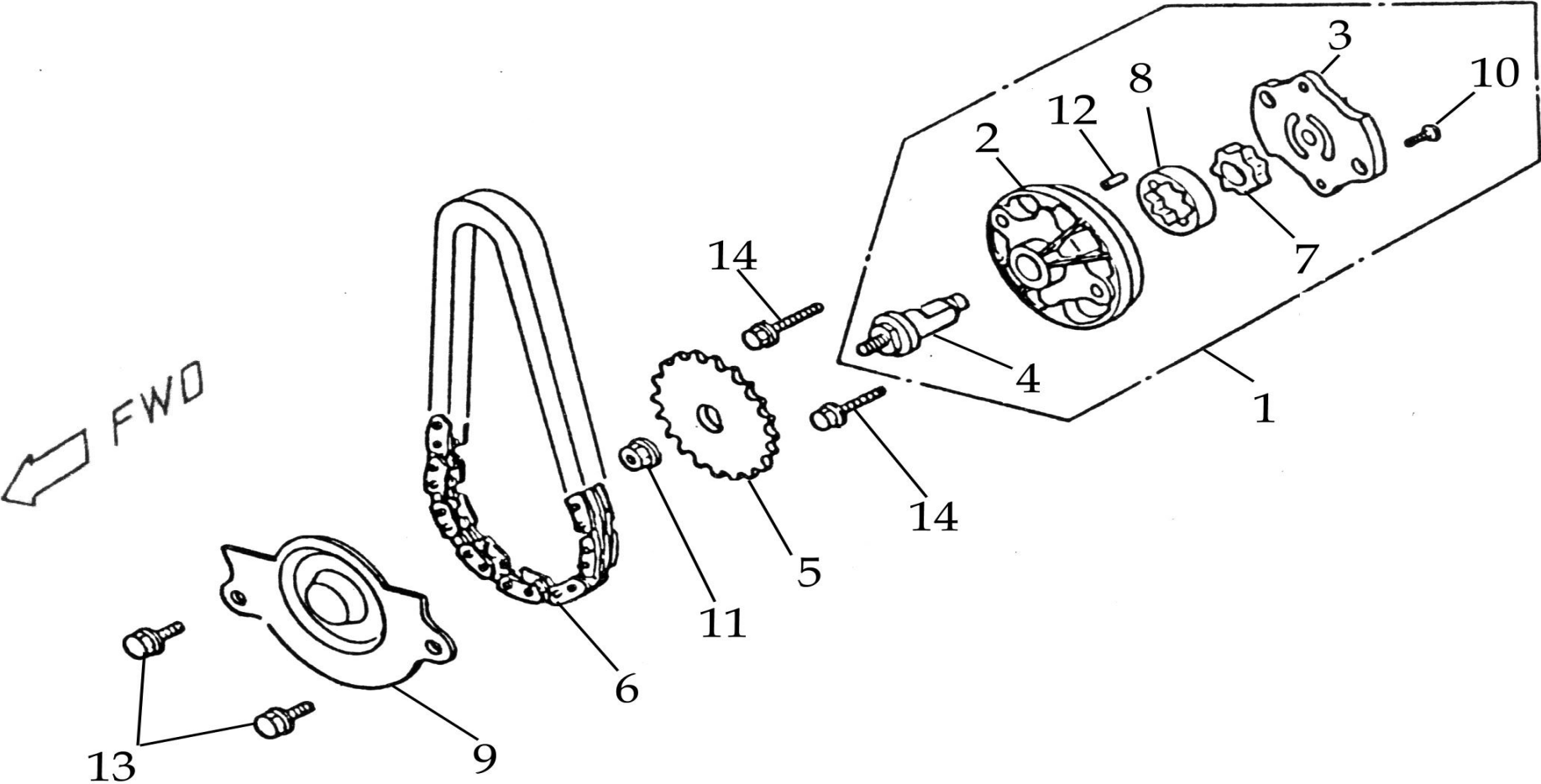
GENERATOR



GENERATOR

Model	Item	Part no	Description	Specification	Quantity
	01	E020075-00	COOLING FAN COMP		1
	02	E020076-00	FLYWHEEL GENERATOR ASSY	TYPE A.C.	1
	03	E020077-00	FLYWHEEL COMP		1
	04	E020078-00	STATOR COMP		1
	05	A080031-41	PLATE WASHER	Ø12.2XØ22	1
	06	A050149-41	BOLT, HEX	M5X12L	2
	07	A060038-41	NUT, FLANGE	M12 P1.25	1
	08	A050132-41	BOLT, FLANGE	M6X18L P1.0	4
	09	A050120-41	BOLT, FLANGE	M6X20L P1.0	2

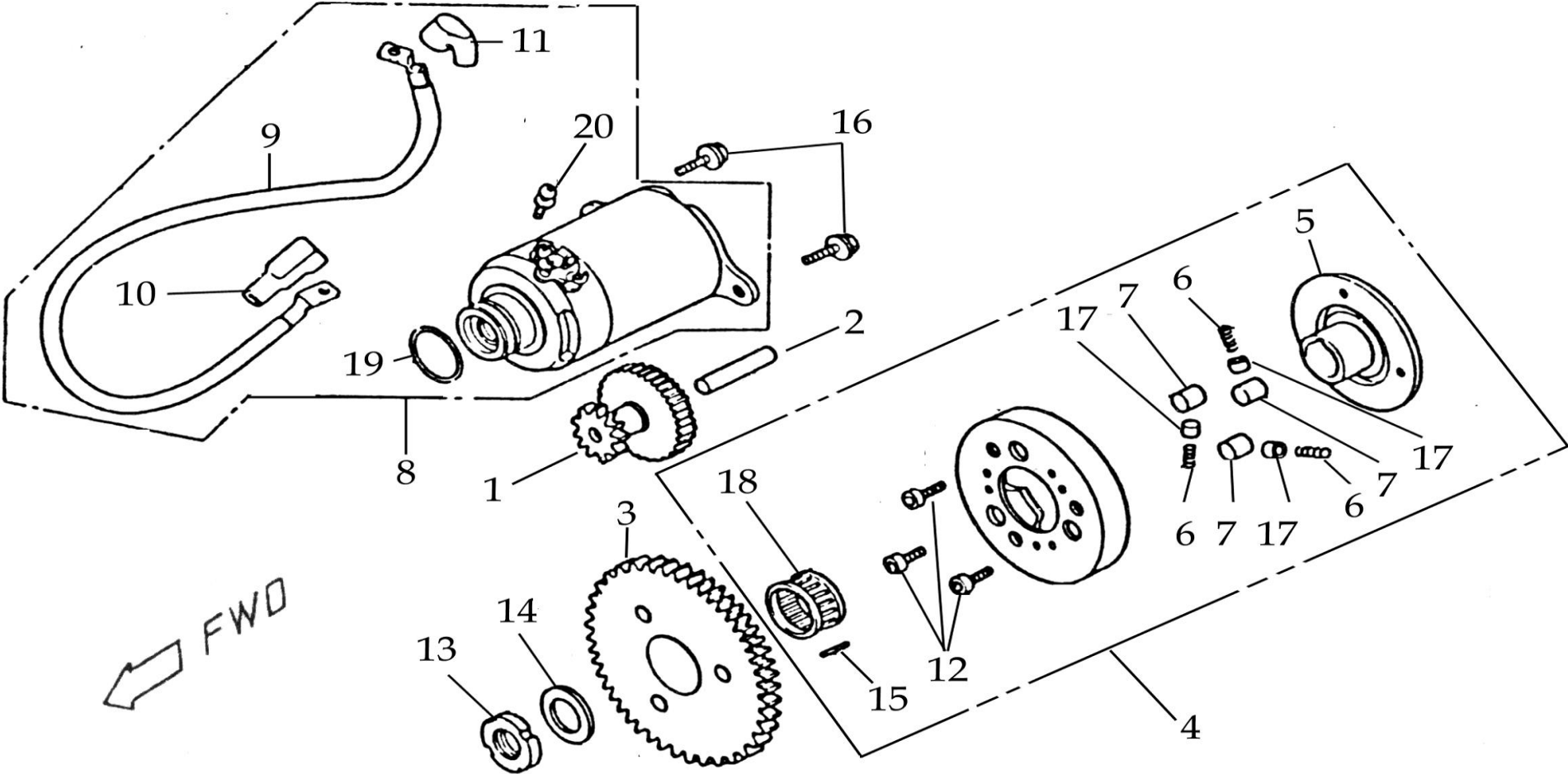
OIL PUMP



OIL PUMP

Model	Item	Part no	Description	Specification	Quantity
	01	E020079-00	STATOR COMP		1
	02		BODY,OIL PUMP		1
	03		PLATE, OIL PUMP		1
	04		SHAFT,OIL PUMP		1
	05	E020080-00	SPROCKET, OIL PUMP DRIVEN		1
	06	E020081-00	CHAIN, OIL PUMP		1
	07		ROTOR, OIL PUMP INNER		1
	08		ROTOR,OIL PUMP OUTER		1
	09	E020082-00	OIL SEPARATOR		1
	10		SCREW, PAN HEAD	M3X10L	1
	11	A060009-41	NUT, FLANGE	M6 P1.0	1
	12		DOWEL PIN	Ø4X6.5L	1
	13	A050129-41	BOLT,FLANGE	M6X12L P1.0	2
	14	A050121-41	BOLT,FLANGE	M6X25L P1.0	2

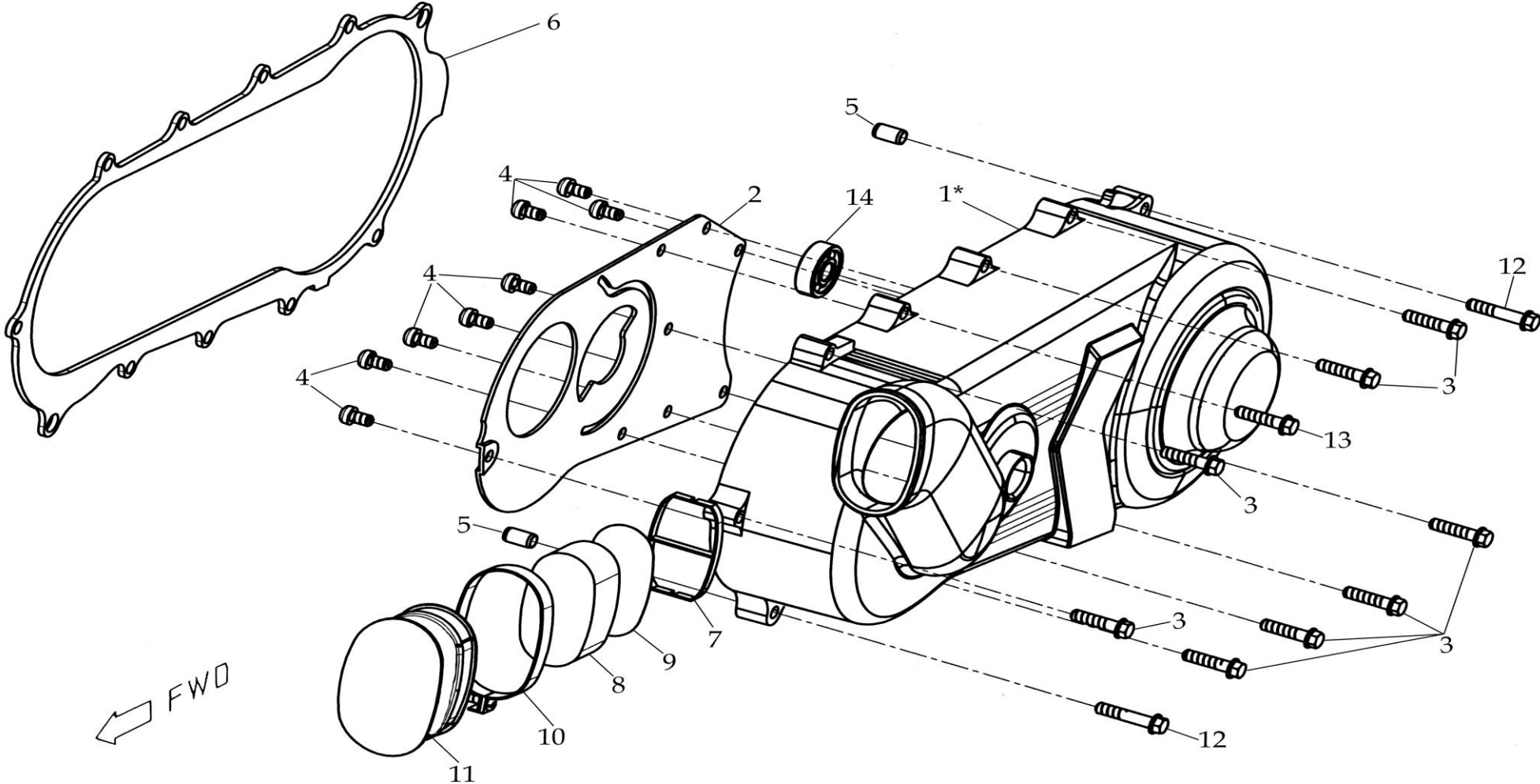
STARTING MOTOR



STARTING MOTOR

Model	Item	Part no	Description	Specification	Quantity
	01	E020083-00	GEAR, starter reduction		1
	02	E020084-00	SHAFT, STARTER REDUCTION GEAR		1
	03	E020085-00	GEAR, STARTER CLUTCH		1
	04	E020117-00	START CLUTCH ASSY'		1
	05		FLANGE, STARTER REDUCTION		1
	06		SPRING, STARTER REDUCTION ROLLER		3
	07		CAP, STARTER REDUCTION ROLLER SPRING		3
	08	E020086-00	STARTER MOTOR ASSY		1
	09		CABLE, STARTER MOTOR		1
	10		INSULATE SLEEVE A		1
	11		INSULATE SLEEVE B		1
	12		BOLT, SOCKET	M6X12L P1.0	3
	13	A060039-41	NUT, LOCK	M22 P1.0	1
	14	A080075-00	THRUST WASHER	Ø23	1
	15		DOWEL PIN	Ø5X6L	1
	16	A050130-41	BOLT, FLANGE	M6X16L P1.0	2
	17		ROLLER	Ø10X10L	3
	18		BEARING, NEEDLE	28X32X17	1
	19		O-RING	Ø24.4XØ3.1	1
	20		SCREW-WASHER	M5X8L	1

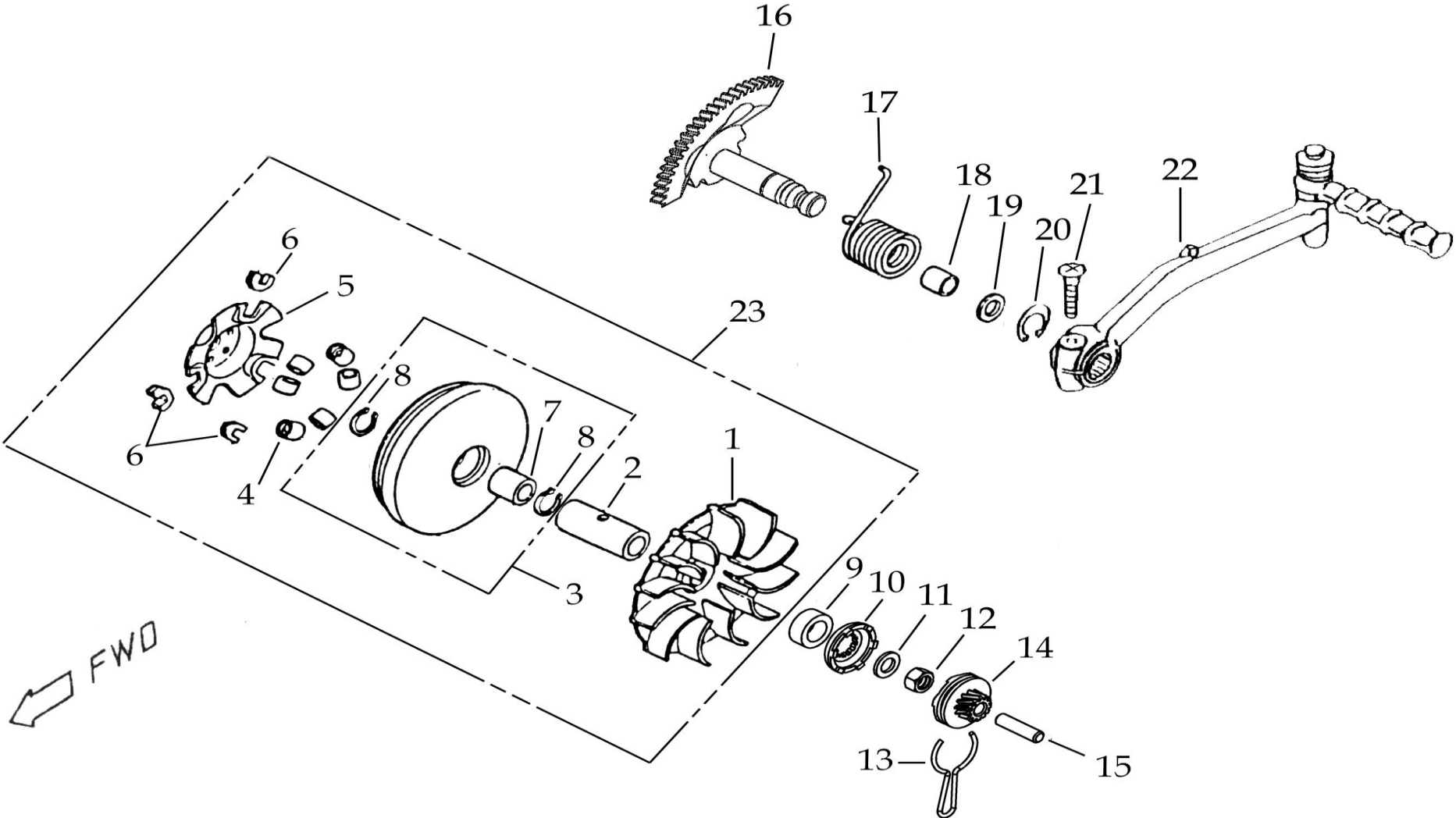
LEFT CRANKCASE COVER



LEFT CRANKCASE COVER

Model	Item	Part no	Description	Specification	Quantity
	01	E020008C01	COVER, L. DINLK MARK		1
	*	E020008C02	COVER, L.	NO MARK	1
	02	E020030-00	PLATE, L. COVER		1
	03	A050121-41	BOLT, FLANGE	M6X25L P1.0	8
	04	A050044-41	SCREW, PAN	M6X10L P1.0	8
	05	A070009-00	DOWEL PIN	Ø10X14L	2
	06	E020033-00	GASKET, L. COVER		1
	07	E020146-00	FILTER STOPPER		1
	08	E020025-00	AIR FILTER		1
	09	E020024-00	WOVEN WIRE MESH		1
	10	E020184-44	BIND RING		1
	11	E020145A00	COVER, BREATHER		1
	12	A050122-41	BOLT, FLANGE	M6X30L P1.0	2
	13	A050130-41	BOLT, FLANGE	M6X16L P1.0	1
	14	A010042-02	BEARING, RADIAL BALL	6200ZZ	1

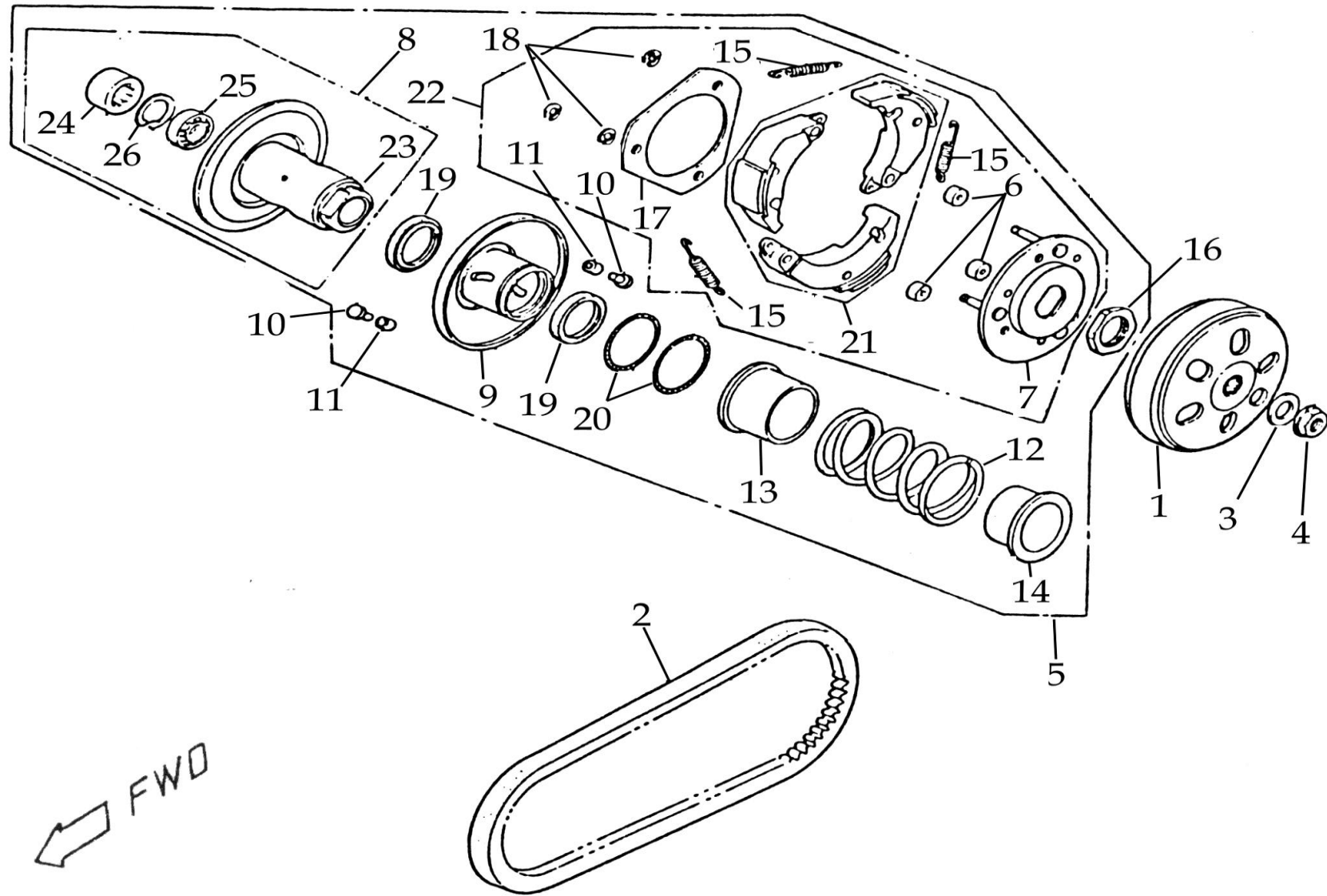
DRIVE PULLEY



DRIVE PULLEY

Model	Item	Part no	Description	Specification	Quantity
	01	E020087-00	FACE, DRIVEN		1
	02		DRIVE FACE BOSS	Ø17XØ24X51.5	1
	03		MOVABLE DRIVEN FACE COMP		1
	04		ROLLER SET, WEIGHT		6
	05		RAMP PLATE		1
	06		SLIDE PIECE		3
	07		COLLAR, DRIVEN FACE		1
	08		CIRCLIP	Ø28	2
	09	E020017-00	COLLAR	Ø15X9.4L	1
	10	E020019-00	ONEWAY CLUTCH		1
	11	A080079-00	WASHER, CONICAL SPRING	Ø12.2XØ24X2.0t	1
	12	A060051-43	NUT, FLANGE	M12X1.25X8t	1
	13	E070090-00	CLIP		1
	14	E070091-00	KICK PINION ASSEMBLY		1
	15	E070071-00	SHAFT	Ø8X31L	1
	16	E020020-00	KICK SHAFT ASSEMBLY		1
	17	E070082-00	TORSION SPRING		1
	18	E070083-00	SOLID BUSH		1
	19	A080023-41	PLATE WASHER	Ø15XØ28X1.0	1
	20	A100008-43	CIRCLIP	Ø15	1
	21	A050051-41	BOLT	M6X25L P1.0	1
	22	E070085-00	KICK STARTER		1
	23	E020164-00	PRIMARY SLIDING SHEAVE COMPLETE		1

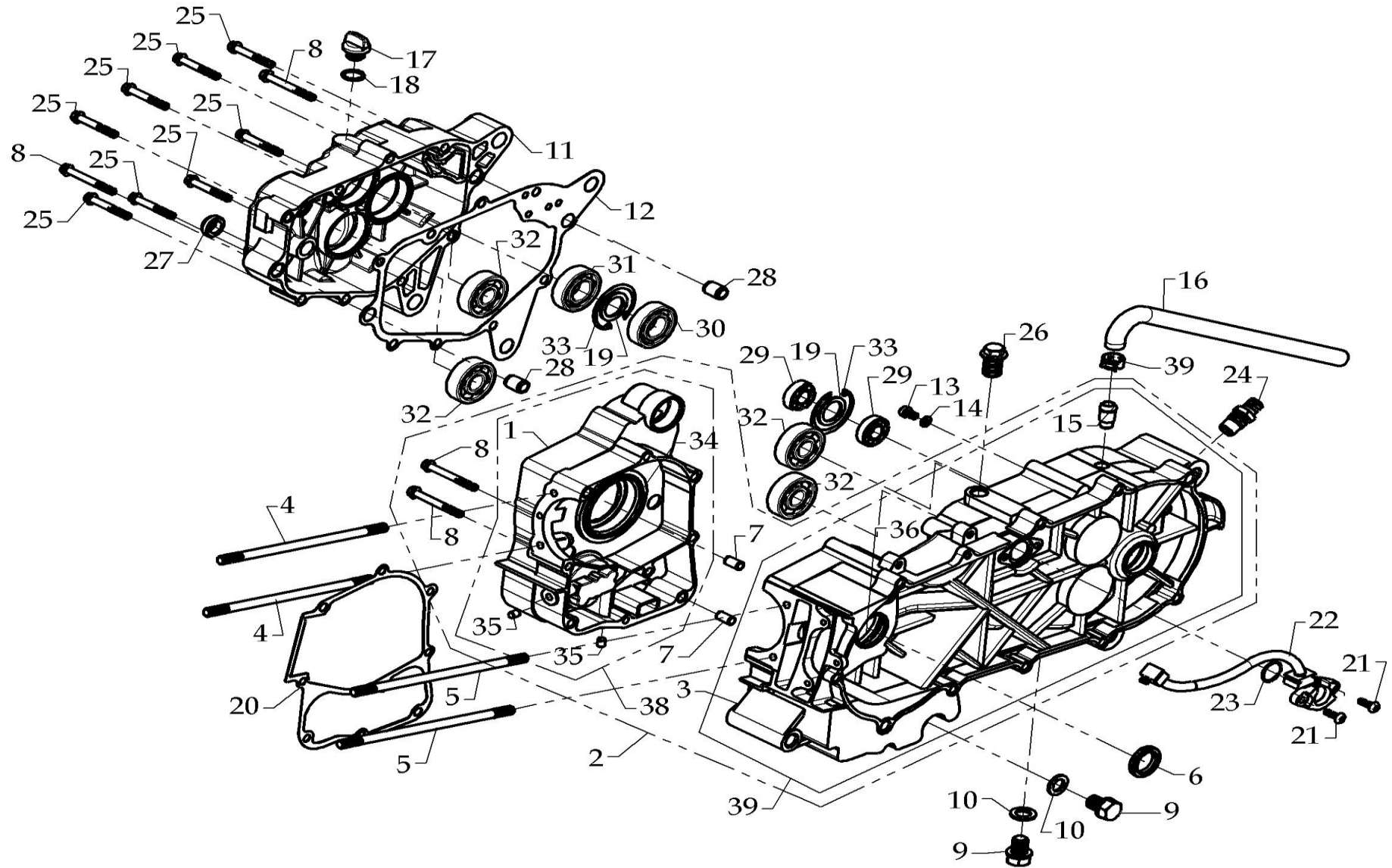
DRIVEN PULLEY



DRIVEN PULLEY

Model	Item	Part no	Description	Specification	Quantity
	01	E020093-00	OUTER,CLUTCH		1
	02	E020094-00	DRIVE BELT	799X20X30	1
	03	A080076-41	PLATE WASH	Ø12.2XØ29X2.5	1
	04	A060043-41	NUT, FLANGE	M12X1.25X8t	1
	05	E020095-00	DRIVEN PULLEY ASSY'		1
	06		CLUTCH DAMPER RUBBER		3
	07		DRIVEN PLATE COMP		1
	08		DRIVEN FACE ASSY'		1
	09		MOVABLE DRIVEN FACE COMP		1
	10		ROLLER GUIDE PIN		3
	11		GUIDE ROLLER		3
	12		SPRING, DRIVEN FACE		1
	13		ROLLAR, SEAL		1
	14		ROLLAR, SPRING		1
	15		SPRING,CLUTCH		3
	16		NUT,SPECIAL	M28	1
	17		PLATE,CLUTCH SIDE		1
	18		CIRCLIP	Ø7	3
	19		SEAL, DRIVEN FACE	Ø34XØ41X4	2
	20		O-RING		2
	21		WEIGHT SET,CLUTCH		1
	22		DRIVEN PLATE ASSY'		1
	23		FACE COMP,DRIVEN		1
	24		BEARING,NEEDLE	20X29X18	1
	25		BEARING, BALL RADIAL	6902U	1
	26		INTERNAL CIRCLIP	Ø28	1

CRANKCASE

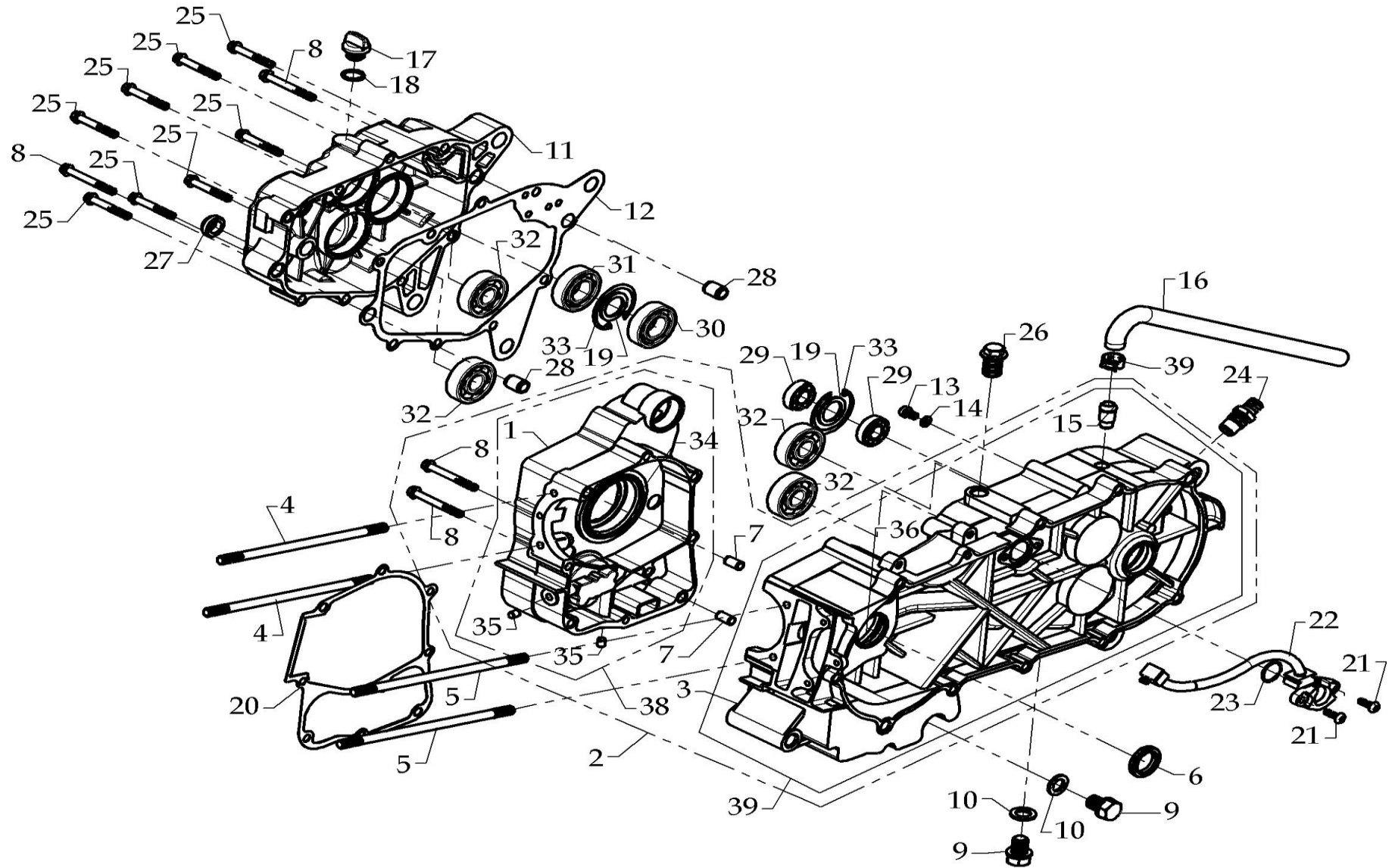


D2002-141C

CRANKCASE

Model	Item	Part no	Description	Specification	Quantity
	01	E020035-00	DRIVEN PULLEY ASSY'		1
	02	E020183-00	CRANKCASE ASSY.		1
	03	E020032-00	CRANKCASE L.		1
	04	A140007-41	STUD BOLT	M8X187.5L	2
	05	A140008-41	STUD BOLT	M8X195.5L	2
	06	A030018-01	OIL SEAL	TCØ19.8XØ30X5-F	1
	07	A070018-00	DOWEL PIN	Ø8X14	2
	08	A050070-41	BOLT FLANGE	M6X50L P1.0	4
	09	A050071-41	BOLT DRAIN PLUG	M12X15 P1.5	2
	10	A080052-00	WASHER DRAIN PLUG	Ø12.2XØ20X2.0	2
	11	E060026A00	COVER,GEAR		1
	12	E060046A00	GASKET		1
	13	A050044-41	SCREW, PAN HEAD	M6X10L P1.0	1
	14	A080026-41	WASHER, PLATE	Ø6.5XØ19X1.2	1
	15	E130065-41	CONNECT,BREATHER HOSE		1
	16	E130066-00	BREATHER HOSE		1
	17	E060049-00	OIL FILL CAP		1
	18	A040005-00	O-RING	Ø13.8XØ2.4	1
	19	A080071-00	PLATE WASH	Ø20.2X28X1.7	2
	20	E020038-00	GASKET, CRANKCASE		1
	21	A050035-41	SCREW, PAN HEAD	M5X14L	2
	22	E020179-00	INDICATOR,GEAR SHIFT		1
	23	A040012-00	O-RING	Ø21X2.4	1
	24	E060035-00	SPEEDOMETER CONNECTOR		1
	25	A050069-41	BOLT, FLANGE	M6X40L P1.0	8
	26	E060021-42	BOLT, SHIFT LOCK		1
	27	E060047-00	OIL INDICATOR	Ø20	1
	28	A070008-00	DOWN PIN	Ø12X16L	2

CRANKCASE

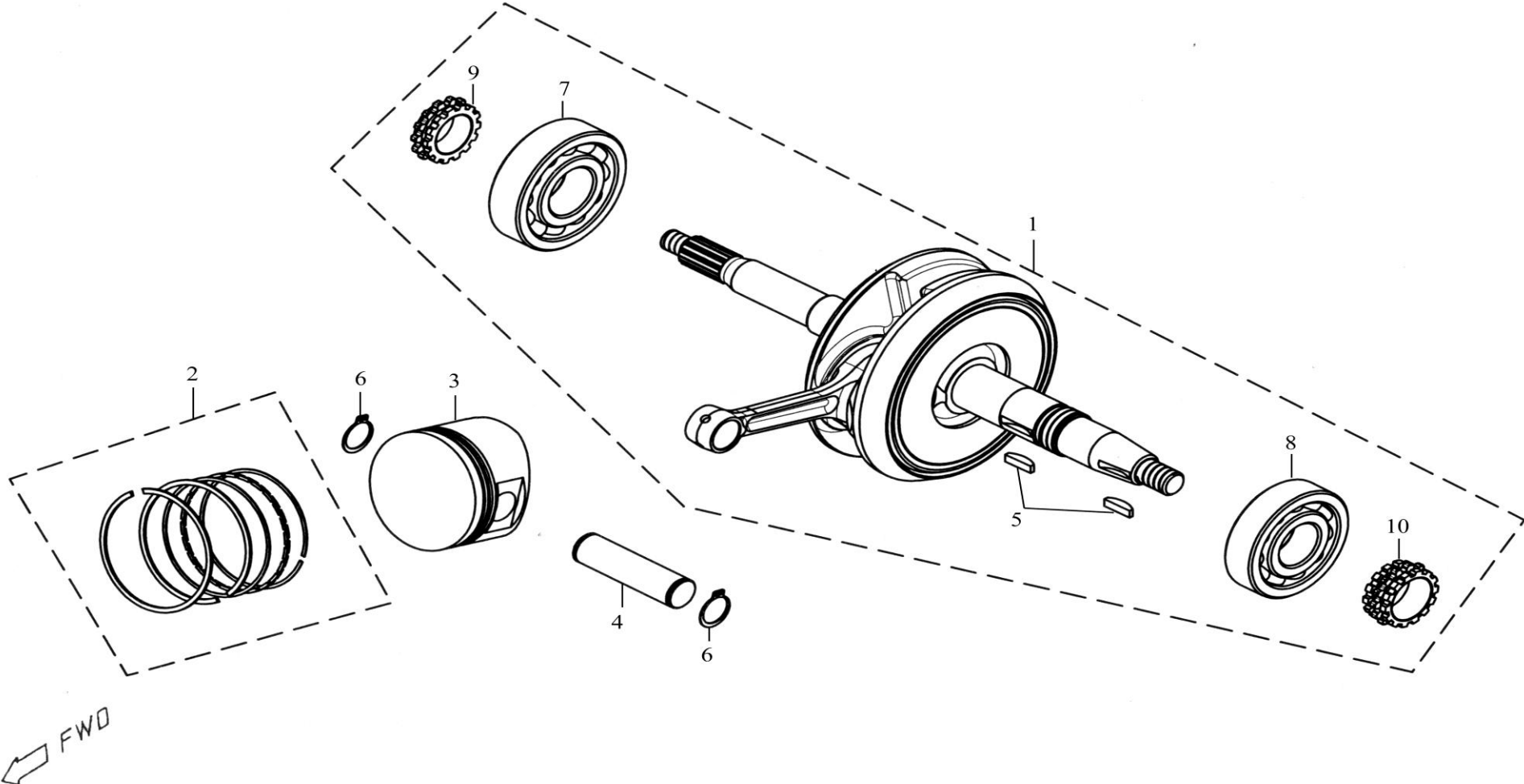


D2002-141C

CRANKCASE

Model	Item	Part no	Description	Specification	Quantity
	29	A010036-00	BEARING, radial ball		2
	30	A010025-00	BEARING, RADIAL BALL	6004	1
	31	A010026-00	BEARING, RADIAL BALL	6004LU	1
	32	A010022-00	BEARING, RADIAL BALL	6302Z	4
	33	A100005-00	INTERNAL CIRCLIP	Ø42	2
	34		BUSH,CRANKCASE R.H		1
	35		PLUG,OIL HOLE	Ø6X7L	2
	36		BUSH, CRANKCASE L.H		1
	37	E130054-41	TUBE CLIP	Ø14	1
	38	E020192-00	CRANKCASE R. ASSY'		1
	39	E020191-00	CRANKCASE L. ASSY'		1

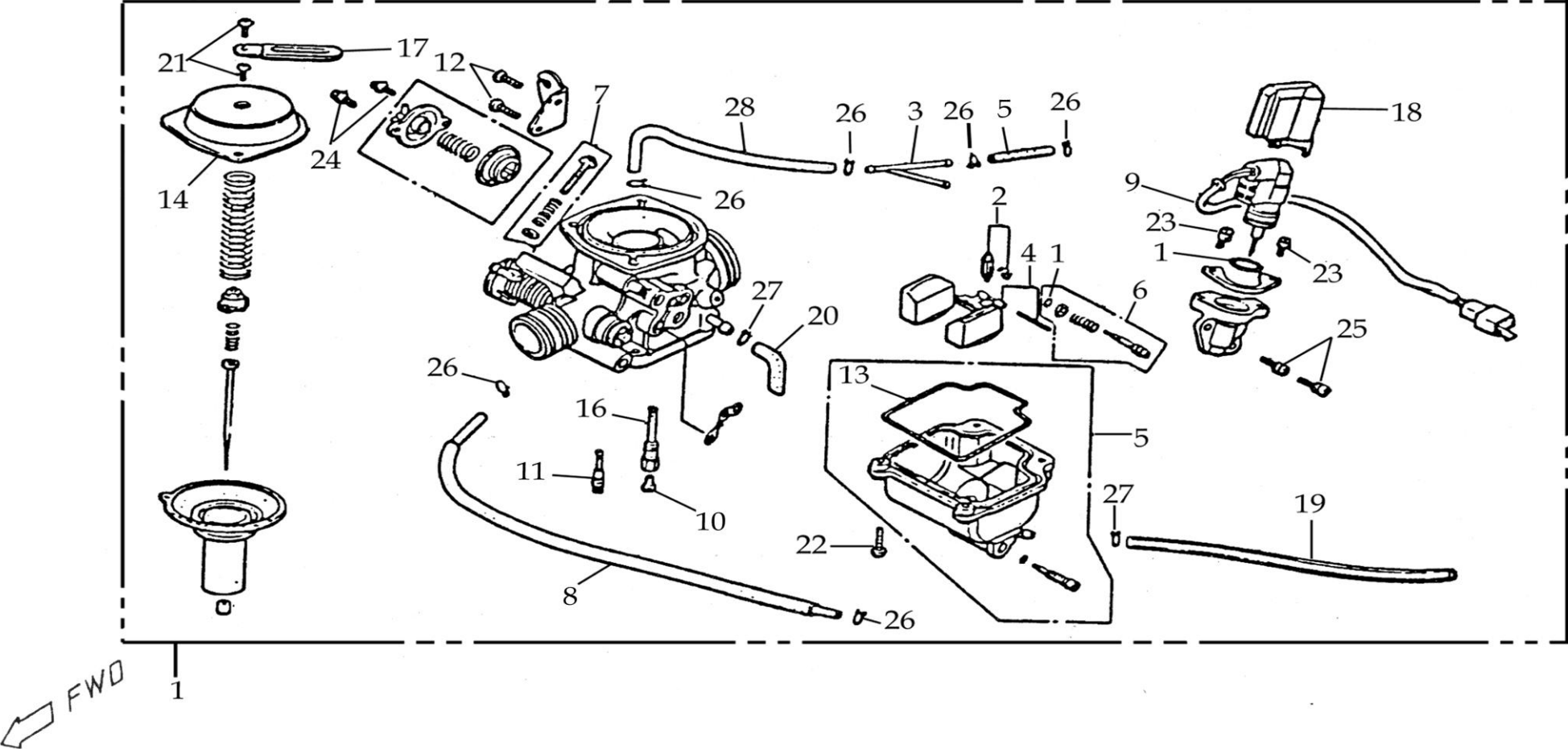
CRANKSHAFT, PISTON



CRANKSHAFT, PISTON

Model	Item	Part no	Description	Specification	Quantity
	01	E020015-00	CRANKSHAFT COMP		1
	02	E020097-00	RING SET PISTON (STD.)		1
	03	E020099-00	PISTON (STD.)	$\psi 57.375 \sim \psi 57.385$	1
	04	E020126-00	PISTON PIN		1
	05	A120002-00	KEY WOODRUFF	25X14X4	2
	06	E020102-00	CIRCLIP	$\varnothing 15$	2
	07	A010037-00	BEARING	22BC05S9NC2	1
	08	A010038-00	BEARING	6305	1
	09	E020018-00	TIMING GEAR	17T	1
	10	E020031-00	DRIVEN SPROCKET OIL PUMP	17T	1

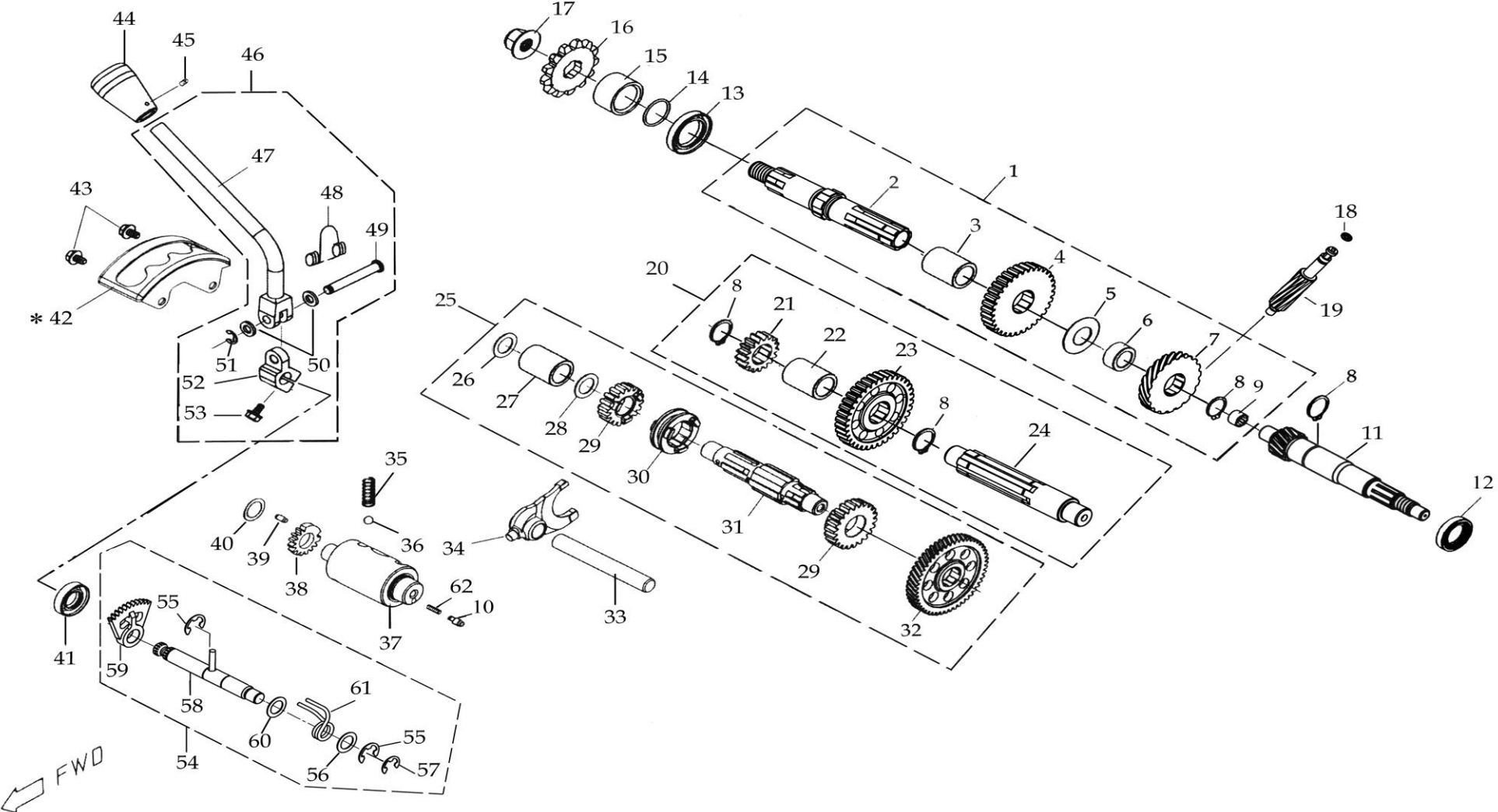
CARBURETOR (WVF)



CARBURETOR (WVF)

Model	Item	Part no	Description	Specification	Quantity
	01	E020104-00	CARBURETOR ASSY' -150CC		1
	02		FLOAT VALVE SET		1
	03		JOINT 3 WAY 3.5		1
	04		FLOAT SET		1
	05		TUBE	Ø3.5X40	1
	06		SCREW SET A		1
	07		SCREW SET B		1
	08		TUBE	350MM	1
	09		VALVE SET, STARTER		1
	10		MAIN JET	#110	1
	11		SLOW JET	#35	1
	12		SCREW, PAN	M15X12L	2
	13		GASKET SET		1
	14		TOP COMP		1
	15		VACUUM PISTON COMP		1
	16		NEEDLE JET HOLDER		1
	17		BINDER		1
	18		CAP, HOLDER		1
	19		TUBE		1
	20		TUBE		1
	21		SCREW, PAN	M4X8L	2
	22		SCREW, PAN	M4X14L	4
	23		SCREW-WASHER	M4X8L	2
	24		SCREW-WASHER	M4X10L	2
	25		SCREW-WASHER	M4X12L	2
	26		TUBE CLIP	B7	6
	27		TUBE CLIP	B8	2
	28		TUBE	Ø3.5X130	1

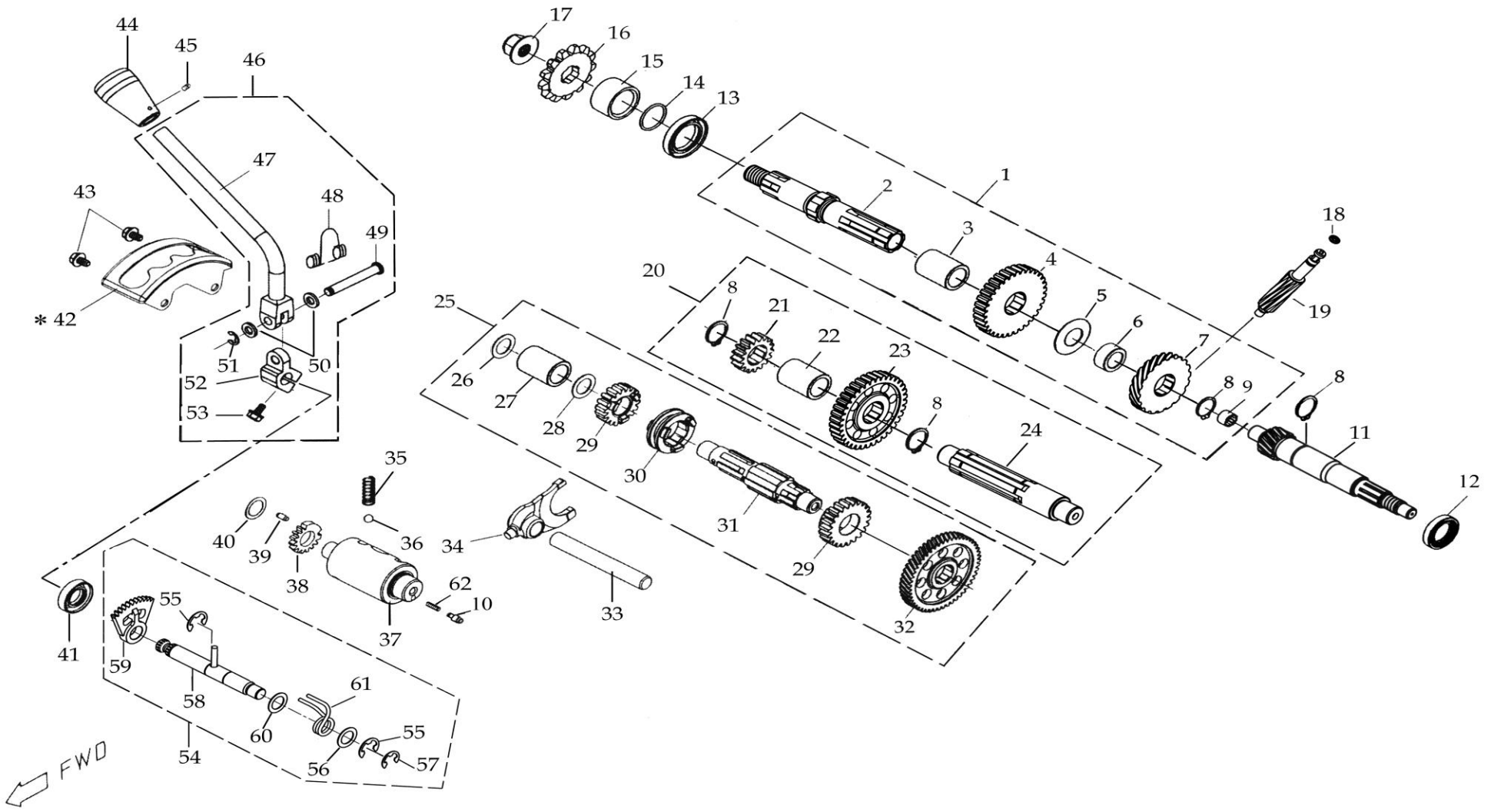
TRANSMISSION(H/R. GEAR + SPEEDOMETER)



TRANSMISSION(H/R. GEAR + SPEEDOMETER)

Model	Ref no	Part no	Description	Specification	Quantity
	01	E020167-00	MAIN SHAFT ASSY'		1
	02	E060017A00	SHAFT, OUTPUT		1
	03	E060019-00	COLLAR	Ø28XØ20.2X22.2	1
	04	E060008A00	GEAR , OUTPUT H	33T	1
	05	A110011-00	SPRING , DISK	Ø40XØ20.4X1t	1
	06	E060032-00	COLLAR	Ø28XØ20.2X7.2	1
	07	E060034-00	GEAR, SPEEDOMETER DRIVE	20T	1
	08	A100010-00	CIRCLIP , EXTERNAL	Ø20	4
	09	A010023-00	BEARING , NEEDLE ROLLER	TLA1010Z	1
	10	E060023-00	SWITCH,INDICATOR		1
	11	E020021B00	GEAR , primary DRIVE	M1.5X15T	1
	12	A030018-01	OIL SEAL	TCØ19.8XØ30X5-F	1
	13	A030014-00	OIL SEAL	TC27XØ42X7	1
	14	A040013-00	O-RING	Ø19XØ1.5	1
	15	E060020-00	COLLAR	Ø27XØ20X16	1
	16	E060066-00	SPROCKET, DRIVE	428X16T	1
	17	A060006-41	U NUT	M14 P1.5	1
	18	A040011-00	O-RING	Ø6X1.9	1
	19	E060036-00	SPEEDOMETER SHAFT	10T	1
	20	E020170-00	REVERSE SHAFT ASSY'		1
	21	E020169C00	GEAR 2ND , REVERSE R3	M1.75X22T	1
	22	A090007-00	COLLAR	Ø28XØ20.2X27.2	1
	23	E060037B00	GEAR 2ND , REVERSE R2	M1.75X37T	1
	24	E020171-00	REVERS SHAFT		1
	25	E020172-00	COUNT SHAFT ASSY'		1
	26	A080046-00	SPACER	Ø23XØ15.2X1	1
	27	A090006-00	SPACER	Ø28XØ20.2X31.7	1
	28	A080057-00	SPACER	Ø27XØ20.2X0.5	1

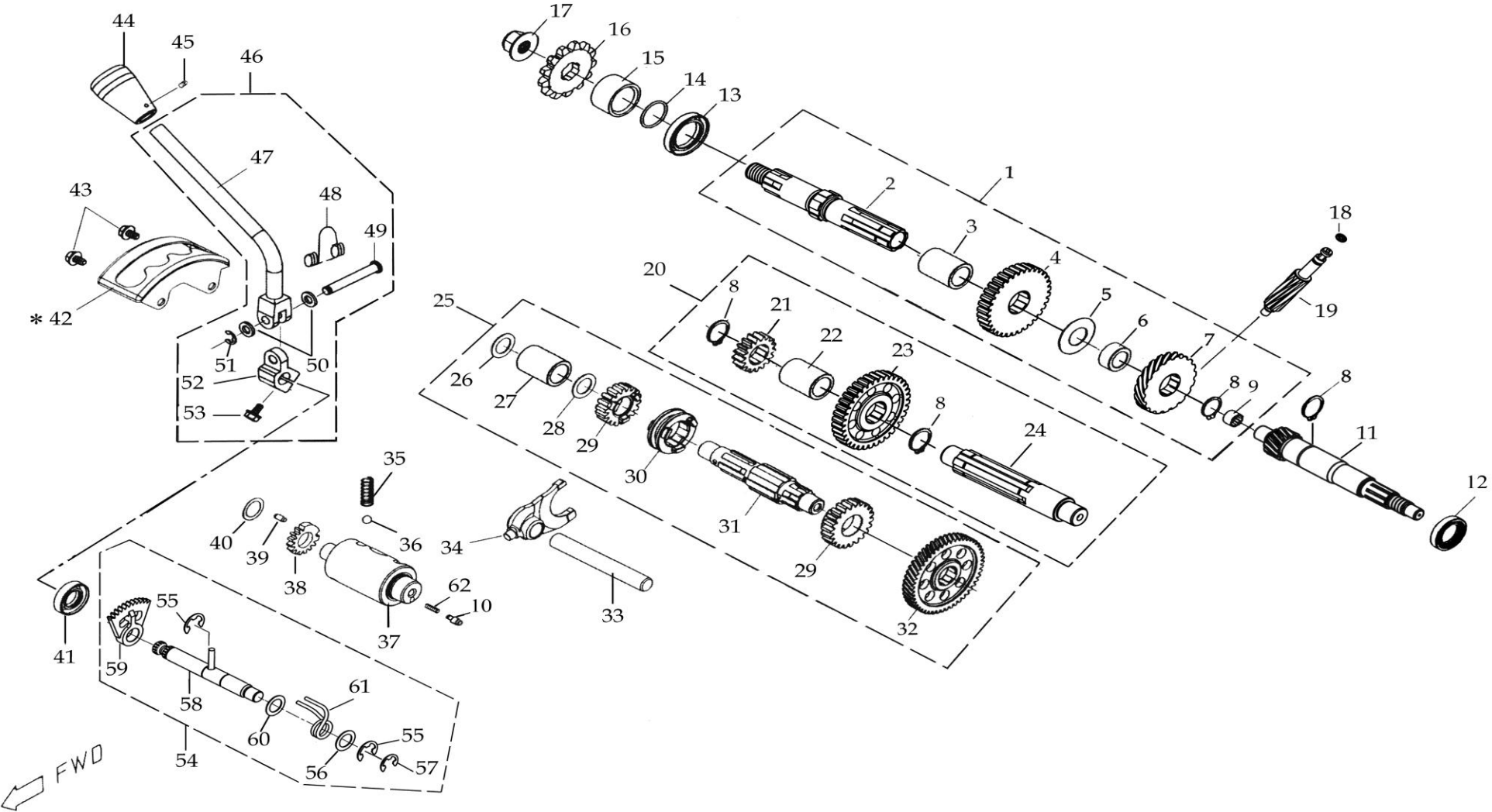
TRANSMISSION(H/R. GEAR + SPEEDOMETER)



TRANSMISSION(H/R. GEAR + SPEEDOMETER)

Model	Ref no	Part no	Description	Specification	Quantity
	29	E060010D00	GEAR, COUNTER H1,R1	M1.75x22T	1
	30	E060011B00	CLUTCH , R.H		1
	31	E020173-00	COUNTER SHAFT		1
	32	E020022-00	GEAR , COUNTER P2	M1.5X50T	1
	33	E060006-00	FORK SHAFT		1
	34	E010031-00	FORK		1
	35	A110001-41	SPRING,COMPRESSION	Ø8X25L P0.9	1
	36	A150001-00	BALL,BEARING	Ø9.525	1
	37	E060149-00	CAM SHAFT	H-N-R	1
	38	E060014-00	GEAR , CAMSHAFT	M1.5X16T	1
	39	E060024-00	DOWEL PIN	Ø4X6L	1
	40	A080045-00	SPACER	Ø14.2XØ19.8X0.5	1
	41	A030015-00	OIL SEAL	TC Ø14XØ28X7	1
	42	E060150A00	INDICATOR , GEAR SHIFT	H-N-R	1
	43	A050091-41	MACHINE SCREW	M6X12L P1.0	2
	44	E060028-00	CONICAL KNOBS		1
	45	A050072-41	SCREW , HEXAGON SOCKET	M4X5L P0.7	1
	46	E060053-00	GEAR SHIFT LEVER ASSY'		1
	47	E060043-00	LEVER , GEAR SHIFT		1
	48	A110013-41	SPRING , GEAR SHIFT		1
	49	E060045-00	SHAFT , GEAR SHIFT		1
	50	A080025-41	WASHER , PLATE	Ø8.2XØ15X2.0	2
	51	A100012-43	RETAINING RINGS E TYPE	Ø7	1
	52	E060042-00	CONNECTER , GEAR SHIFT		1
	53	A050051-41	BOLT	M6X25L P1.0	1
	54	E060131A00	GEARSHIFT SHAFT ASSY'		1
	55	A100020-00	RETAINING RINGS E TYPE	Ø12	2

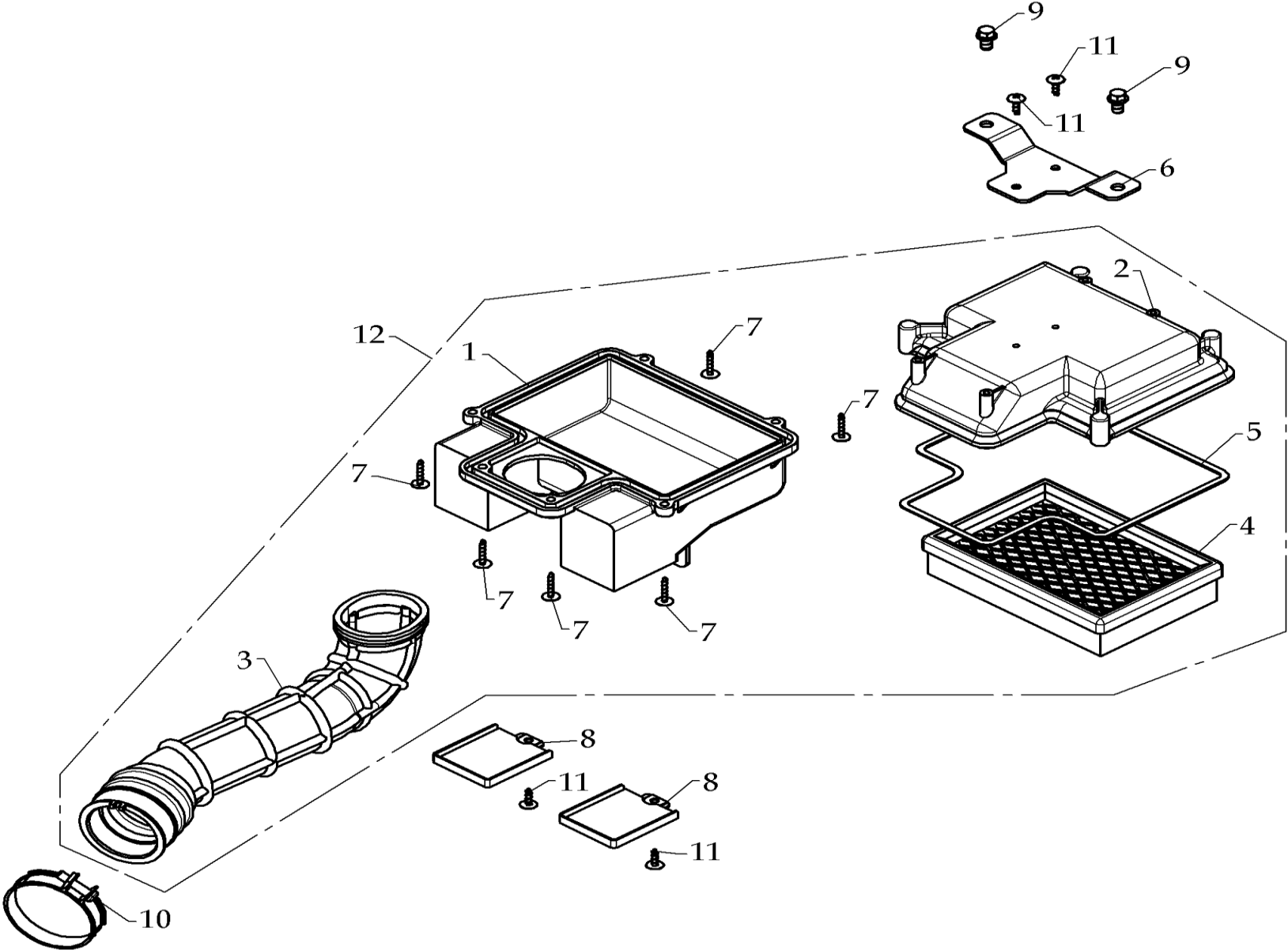
TRANSMISSION(H/R. GEAR + SPEEDOMETER)



TRANSMISSION(H/R. GEAR + SPEEDOMETER)

Model	Ref no	Part no	Description	Specification	Quantity
	56	A050081-43	HEX WASHER FACE BOLT	M6X1.0X10L	1
	57	A100002-43	RETAINING RINGS E TYPE	Ø10	1
	58	E060128-00	SHAFT, GEARSHIFT		1
	59	E060127-00	GEAR,GEARSHIFT		1
	60	A080005-41	WASHER , PLATE	Ø14.2XØ22X1.0t	1
	61	A110027-42	SPRING ,GEARSHIFT		1
	62	A110002-00	SPRING,COMPRESSION	Ø0.35XØ4X10L	1

INTAKE



INTAKE

Model	Ref no	Part no	Description	Specification	Quantity
	01		AIR BOX		1
	02		AIR BOX COVER		1
	03		PIPE COMP		1
	04	E020131-00	AIR FILTER		1
	05	E020140-00	GASKET		1
	06	E020139-00	HOLDER		1
	07	A130004-43	TAPPING SCREW	M4X20 P0.7	6
	08	E020160-00	MESH,AIR CLEANER		2
	09	A050081-43	BOLT, FLANGE	M6X10L P1.0	2
	10	E020134-00	BAND, INSULATOR	Ø50	1
	11	A130002-43	TAPPING SCREW	M4X12 P0.7	4
	12	E020129-00	AIR CLEANER ASSY'		1