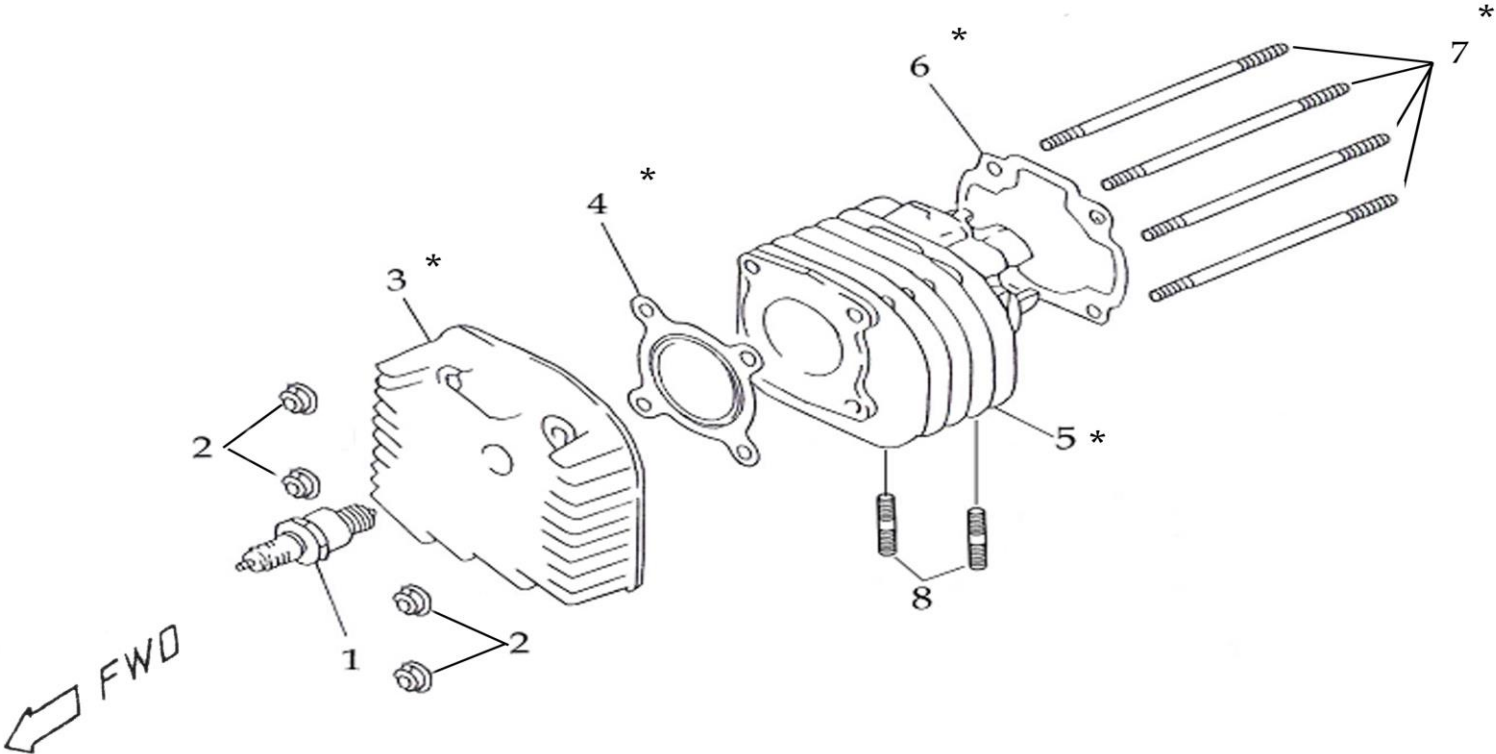


CYLINDER

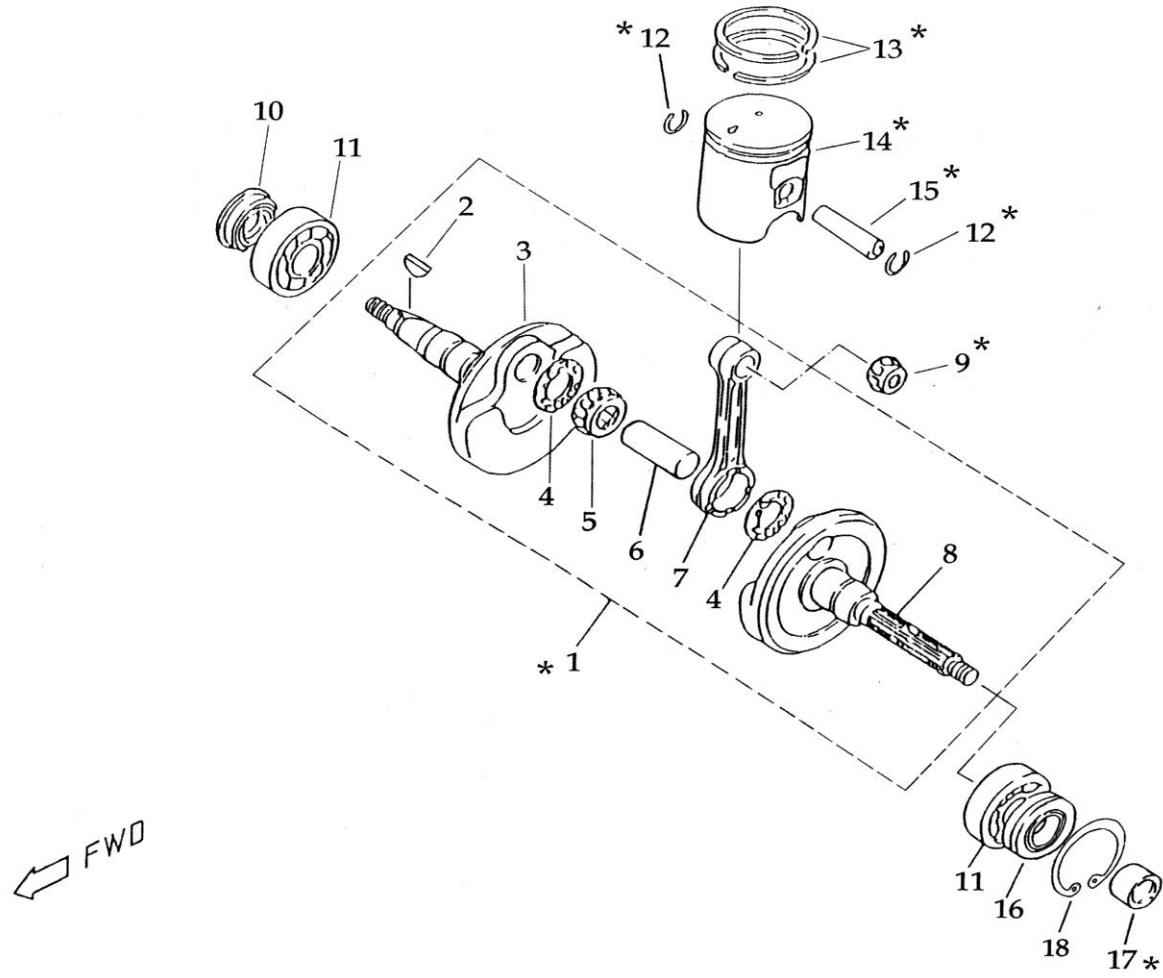


D2001-011A

CYLINDER

Model	Item	Part no	Description	Specification	Quantity
	01	E070001-00	SPARK PLUG		1
	02	A060015-41	NUT	M7X1.0	4
110cc,	03	E060157-00	HEAD CYLINDER		1
100/90cc.	*	E060105-00	HEAD CYLINDER		1
50cc,	*	E060065-00	HEAD CYLINDER		1
110cc,	04	E060130-00	GASKET CYLINDER HEAD	Ø54	1
100/90cc.	*	E060110-00	GASKET CYLINDER HEAD	Ø52	1
50cc,	*	E070134-00	GASKET CYLINDER HEAD	Ø42	1
110cc,	05	E060125-01	CYLINDER (A SIZE,B SIZE-->-02)	Ø54X79.5	1
100cc,	*	E070004-00	CYLINDER (A SIZE,B SIZE-->-02)	Ø52X78.5	1
90cc,	*	E060091-01	CYLINDER (A SIZE,B SIZE-->-02)	Ø52X77	1
50cc,	*	E070133-01	CYLINDER (A SIZE,B SIZE-->-02)	Ø42X77	1
110cc,	06	E060129-00	GASKET CYLINDER		1
100/90cc.	*	E070005-00	GASKET CYLINDER		1
50cc,	*	E070162-00	GASKET CYLINDER		1
110cc.~90cc.	07	E070010-41	STUD BOLT	M7X1.0X124L	4
50cc,	*	A140001-41	STUD BOLT	M7X1.0X110L	4
	08	A140003-41	STUD BOLT	M6X1.0X30L	2

CRANKSHAFT & PISTON

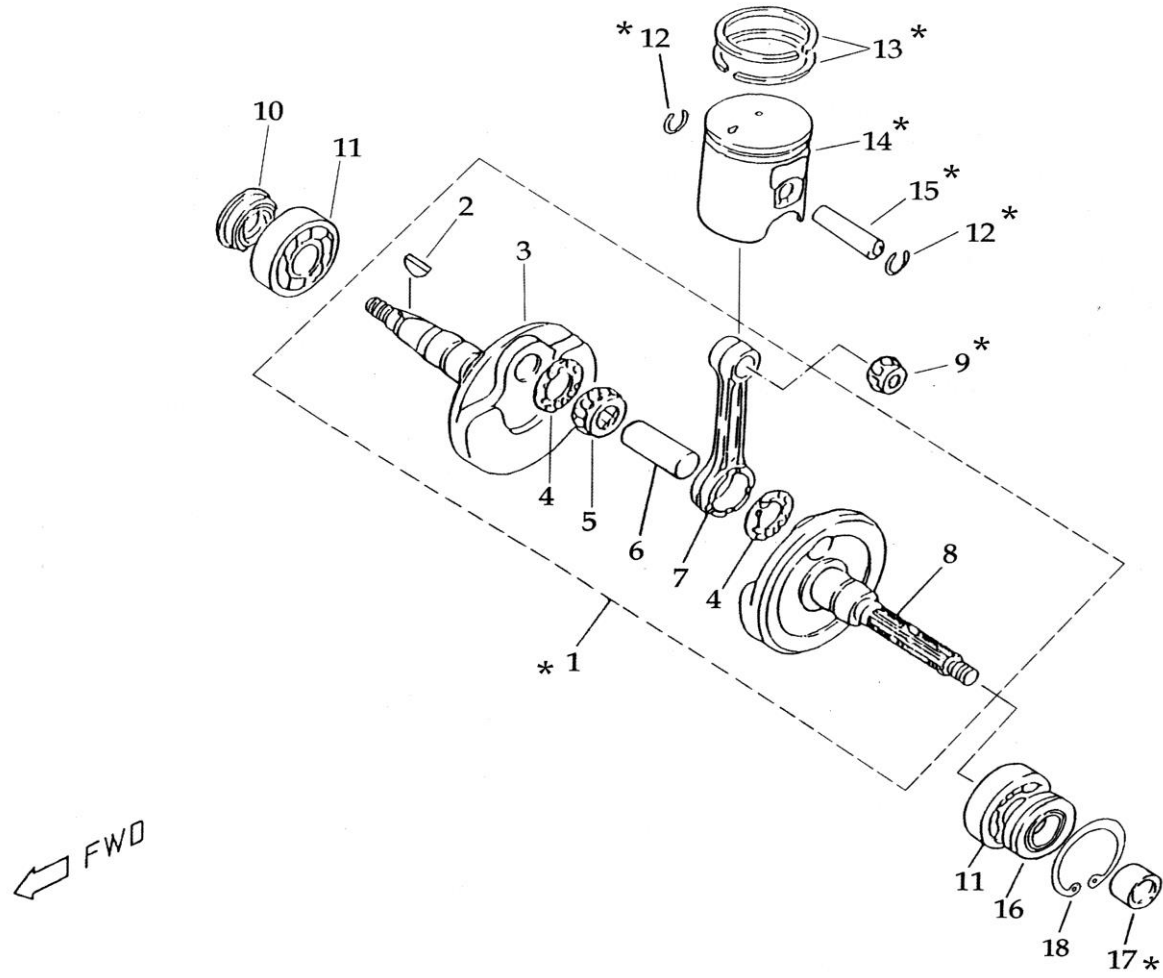


UZ001-UZ1A

CRANKSHAFT & PISTON

Model	Item	Part no	Description	Specification	Quantity
110cc,	01	E060126-00	CRANKSHAFT ASSEMBLY		1
100cc,	*	E070122-00	CRANKSHAFT ASSEMBLY		1
90cc,	*	E060088-00	CRANKSHAFT ASSEMBLY		1
50cc,	*	E070140-00	CRANKSHAFT ASSEMBLY		1
	02		KEY , WOODRUFF		1
	03		CRANK 2		1
	04		WASHER		2
	05		BEARING , CYLINDRICAL		1
	06		PIN,CRANK1		1
	07		ROD ,CONNECTING		1
	08		CRANK 1		1
110cc.~90cc.	09	A010010-00	BEARING ,CYLINDRICAL	12X15X16.5	1
50cc,	*	A010019-00	BEARING ,CYLINDRICAL	KTV101412.5EG	1
	10	A030006-00	OIL SEAL	Ø20XØ30X6	1
	11	A010011-00	BEARING	6204C3	2
110cc.~90cc.	12	A100006-43	G TYPE INTERNAL CIRCLIP	Ø14	2
50cc,	*	E070139-43	G TYPE INTERNAL CIRCLIP	Ø12	2
110cc,	13	E060123-00	PISTON RING SET (STD)		1
100/90cc.	*	E070011-00	PISTON RING SET (STD)		1
50cc,	*	E070137-00	PISTON RING SET (STD)		1
110cc,	14	E060124-01	PISTON(A SIZE)	(B SIZE-->E060124-02)	1
100/90cc.	*	E070012-01	PISTON(A SIZE)	(B SIZE-->E070012-02)	1
50cc,	*	E070136-01	PISTON(A SIZE)	(B SIZE-->E070136-02)	1
110cc.~90cc.	15	A070004-00	PIN ,PISTON	8X12X40	1
50cc,	*	E070138-00	PIN ,PISTON	5X10X33	1

CRANKSHAFT & PISTON

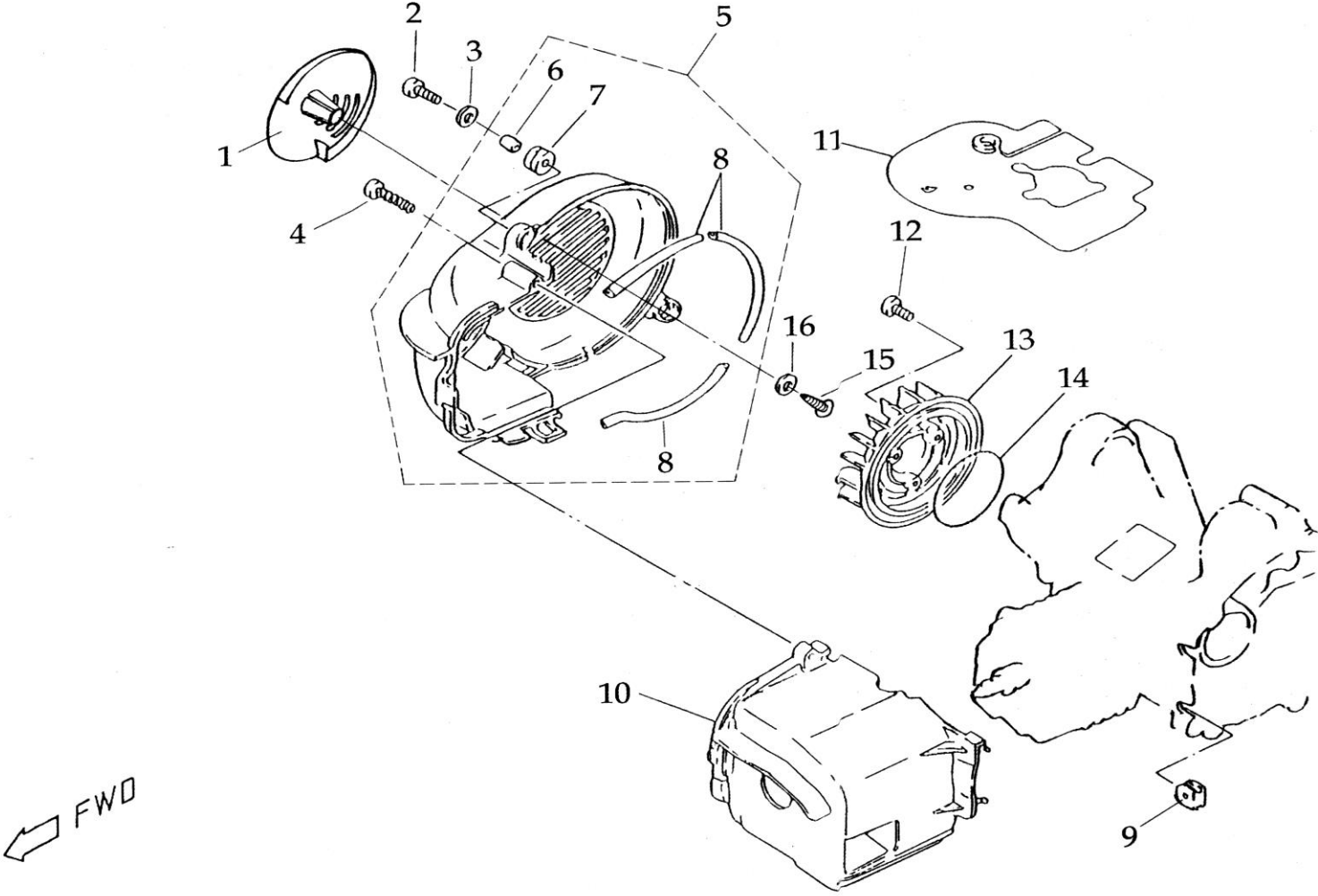


UZ001-UZ1A

CRANKSHAFT & PISTON

Model	Item	Part no	Description	Specification	Quantity
110cc.~90cc. 50cc,	16	A030007-00	OIL SEAL	Ø20XØ42X8	1
	17	E070013-00	COLLAR		1
	*	E070141-00	COLLAR		1
	18	A100005-00	CIRCLIP	Ø42	1

AIR SHROUD & FAN

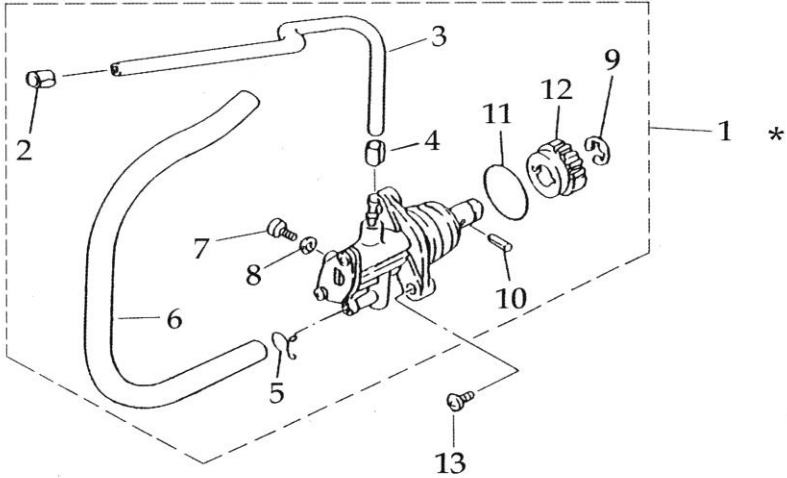
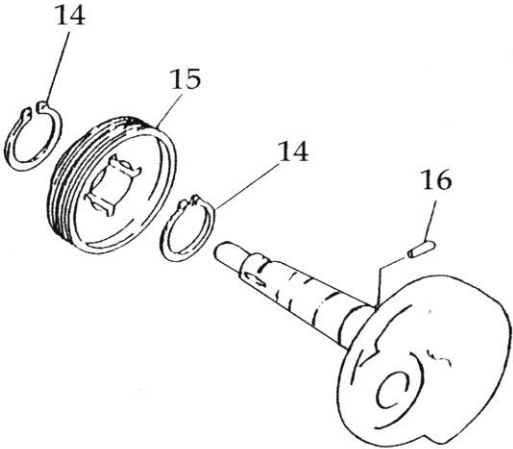


D2001-031B

AIR SHROUD & FAN

Model	Item	Part no	Description	Specification	Quantity
	01	E070014-00	AIR SHROUD DUSTY CAP		1
	02	A050041-41	SCREW , PAN HEAD	M6X1.0X20L	2
	03	A080036-41	WASHER , PLATE	Ø6.5XØ13X1.0	2
	04	A130006-43	SCREW , TAPPING	M6X1.0X40L	1
	05	E070017-00	AIR SHROUD ,CYLINDER3		1
	06		COLLAR		2
	07		GROMMET		2
	08		DAMPER , AIR SHROUD 1		3
	09	E070019-00	GROMMET		2
	10	E070020-00	AIR SHROUD ,CYLINDER1		1
	11	E070021-00	DEFLECTOR 1		1
	12	A050156-41	PAN HEAD SCREW	M6X1.0X16L	3
	13	E070022-00	FAN		1
	14	A040001-00	O-RING	64.4X3.1	1
	15	A130007-43	SCREW , TAPPING	M4X16L	1
	16	A080034-41	WASHER , PLATE	Ø5.5XØ15X1.0	1

OIL PUMP



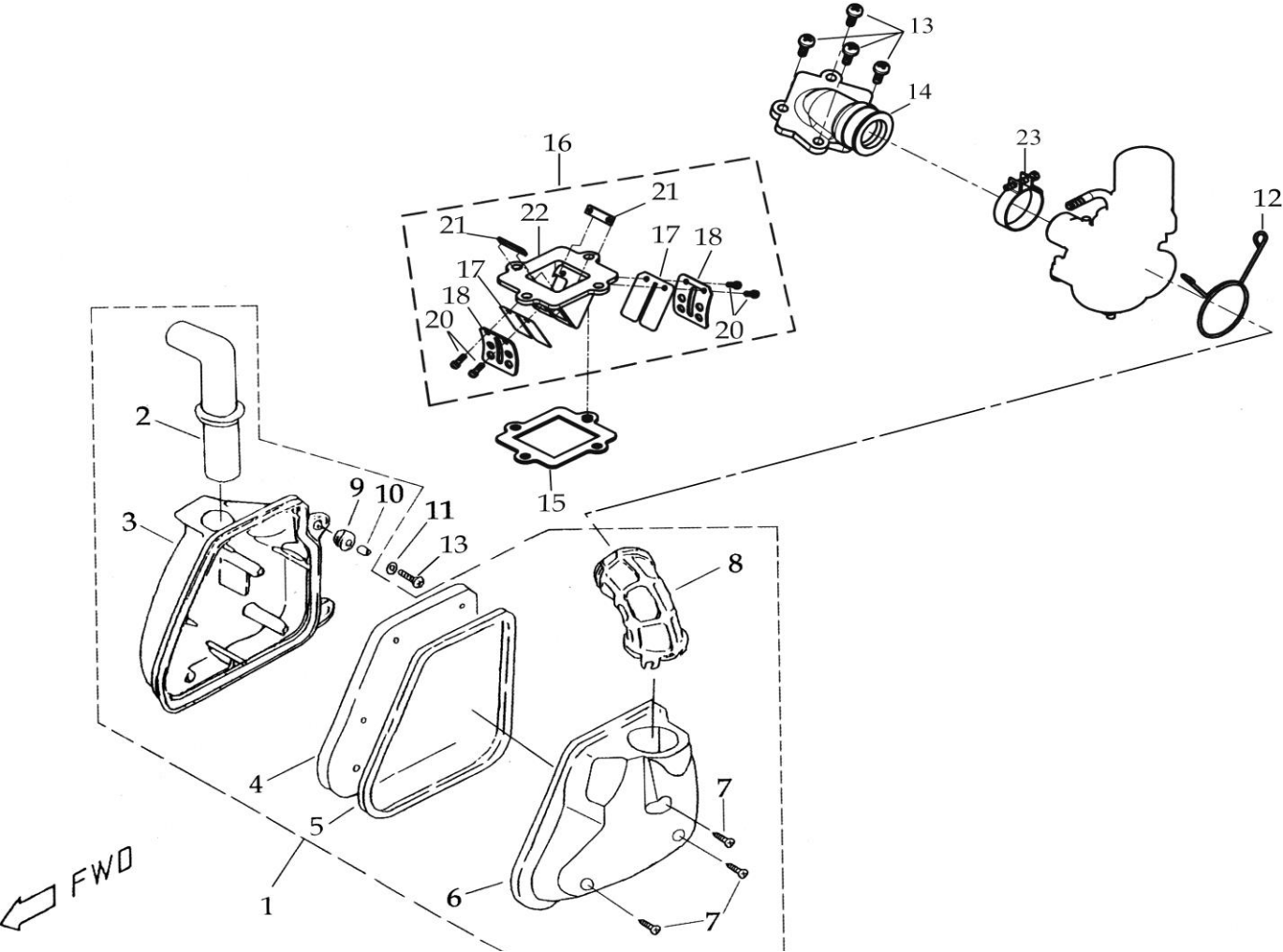
← FWD

..... 041A

OIL PUMP

Model	Item	Part no	Description	Specification	Quantity	
110cc.~90cc.	01	E070123-00	OIL PUMP ASSEMBLY		1	
50cc,	*	E070142-00	OIL PUMP ASSEMBLY		1	
	*	E070172-00	OIL PUMP ASSEMBLY		1	DL-7
	02		CLIP		1	
	03	E070024-00	OIL TUBE		1	
	04		CLIP		1	
	05		CLIP		1	
	06	E070026-00	OIL TUBE		1	
	*	E070173-00	OIL TUBE		1	DL-7
	07		BOLT , breather		1	
	08		GASKET , breather BOLT		1	
	09		CLIP		1	
	10		PIN , DOWEL		1	
	11		O-RING		1	
	12		GEAR WORM WHEEL	40T	1	
	13	A050035-41	SCREW , PAN HEAD	M5X0.8X14L	2	
	14	A100007-43	CIRCLIP	Ø19	2	
	15	E070030-00	GEAR , PUMP DRIVE		1	
	16	A070006-00	PIN , DOWEL	Ø3X11.8	1	

INTAKE

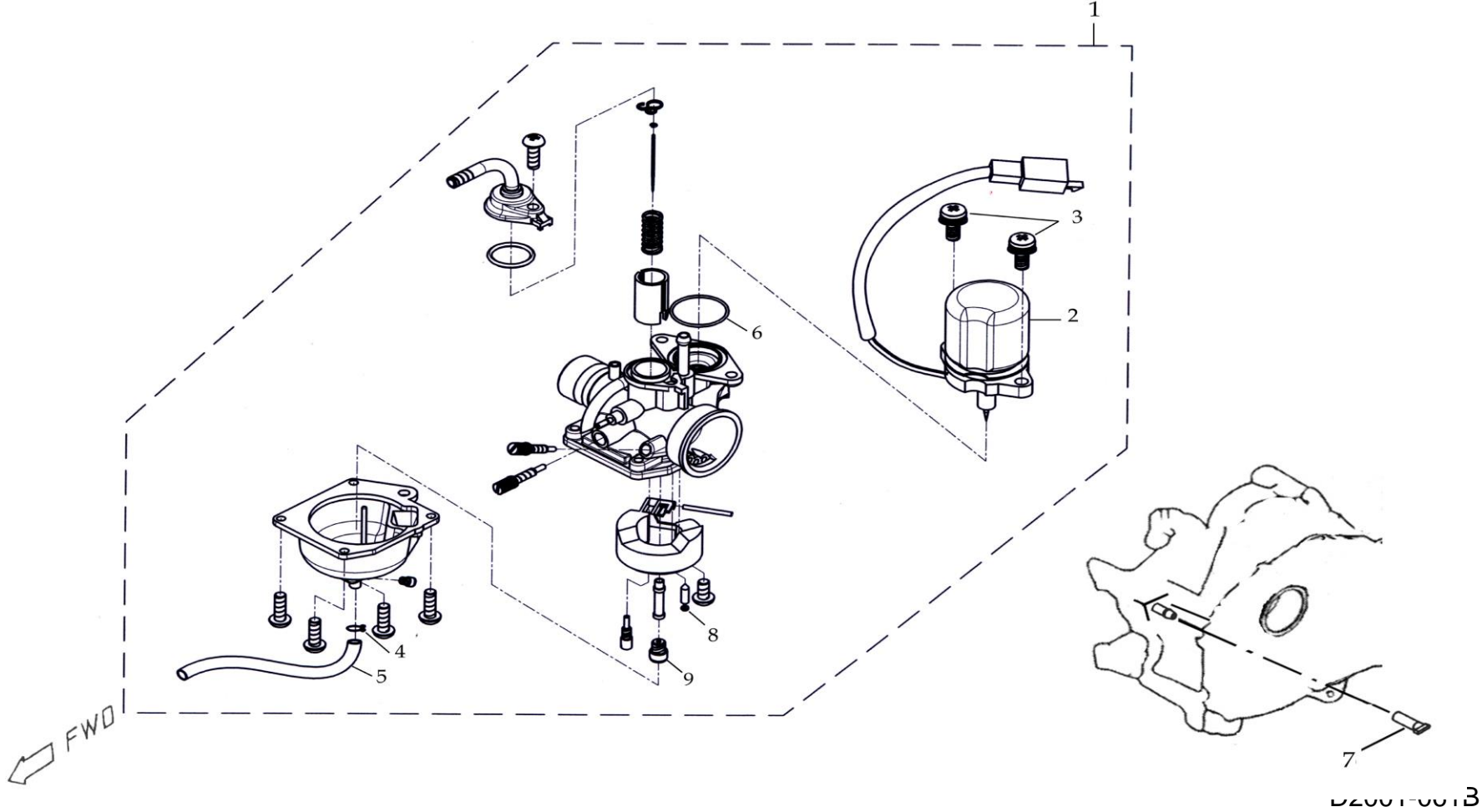


1-051B

INTAKE

Model	Item	Part no	Description	Specification	Quantity
110cc.~90cc. 50cc,	01	E070124-00	AIR FILTER ASSEMBLY		1
	02		DUCT		1
	03		CASE , AIR CLEANER 1		1
	04	E070033-00	ELEMENT , AIR CLEANER		1
	05		SEAL		1
	06		CAP , CLEANER CASE 1		1
	07	A130022-43	SCREW , TAPPING	M5X25L	3
	08		JOINT , AIR CLEANER 1		1
	09		GROMMET		2
	10		COLLAR		2
	11	A080036-41	WASHER , PLATE	Ø6.5XØ13X1.0	2
	12	E070042-00	CLIP		1
	13	A050041-41	SCREW , PAN HEAD	M6X1.0X20L	6
	14	E070037-00	MANIFOLD , INTAKE		1
	15	E070038-00	GASKET , VALVE seat		1
	16	E070126-00	REED VALVE ASSEMBLY		1
	*	E070168-00	REED VALVE ASSEMBLY		1
	17		REED , VALVE		2
	18		STOPPER , REED VALVE		2
	19		WASHER , SPRING	Ø3.1X1.1X0.7	4
	20		SCREW , PAN HEAD	M3X0.5X8L	4
	21		BRACKET , REED VALVE		2
	22		REED VALVE		1
23	E070041-44	CLAMP , HOSE		1	

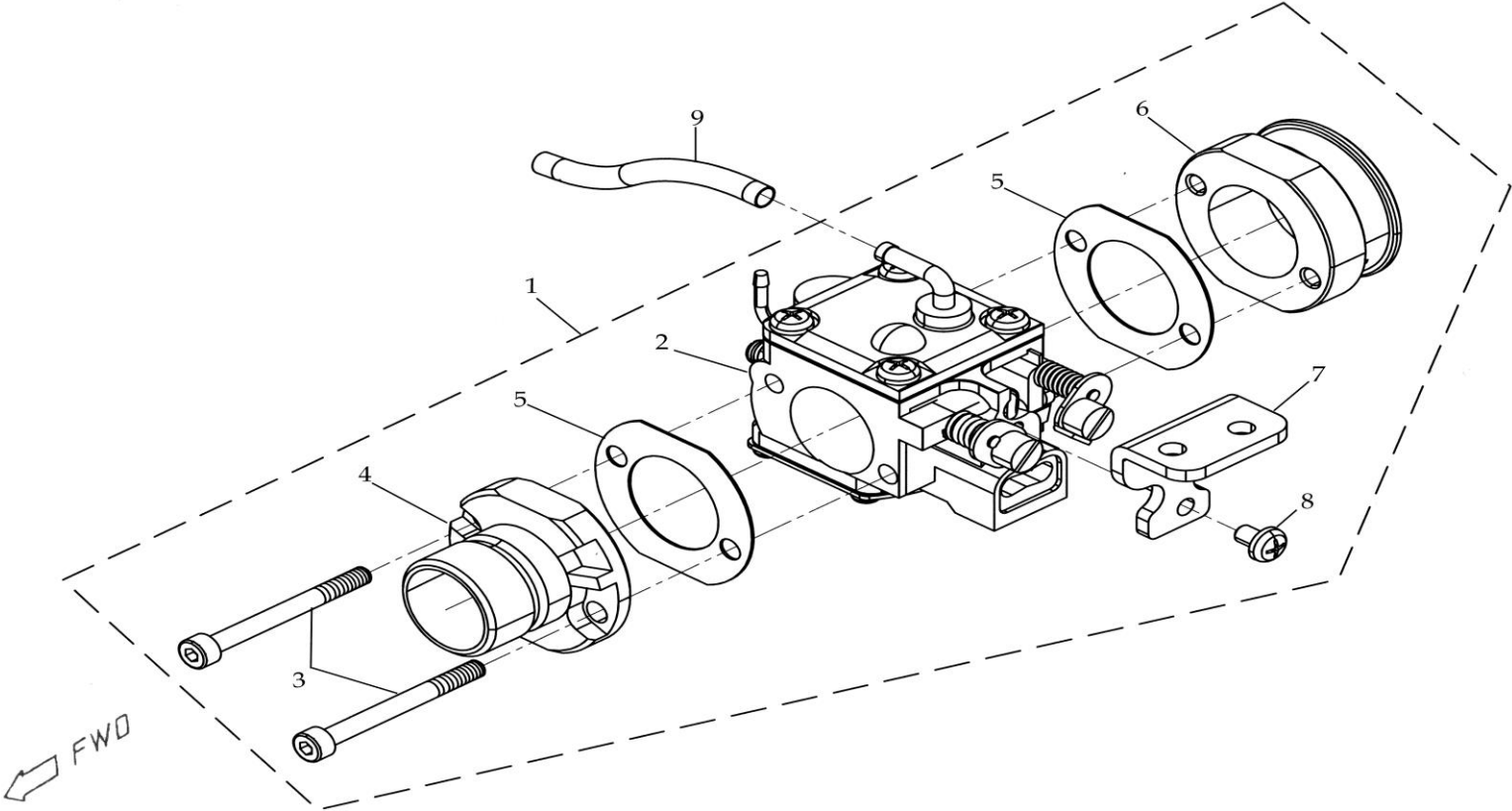
CARBURETOR (WFZ)



CARBURETOR (WFZ)

Model	Item	Part no	Description	Specification	Quantity
110cc.~90cc.	01	E060085-00	CARBURETOR ASSEMBLY	WFZ-2B	1
50cc,	*	E060084-00	CARBURETOR ASSEMBLY	WFZ-1B	1
110cc.~90cc.	2	E060148-00	PLUNGER , STARTER	WFZ-2	1
50cc,	*	E060147-00	PLUNGER , STARTER	WFZ-1	1
	03		SCREW , PAN HEAD		2
	04		CLIP		1
	05		TUBE		1
	06		O-RING		1
	07	E060121-00	PLUG		1
	08	E060152-00	NEEDLE VALVE SET		1
50cc,	09		MAIN JET	WFZ-1,#87.5	1

CARBURETOR (WJ)

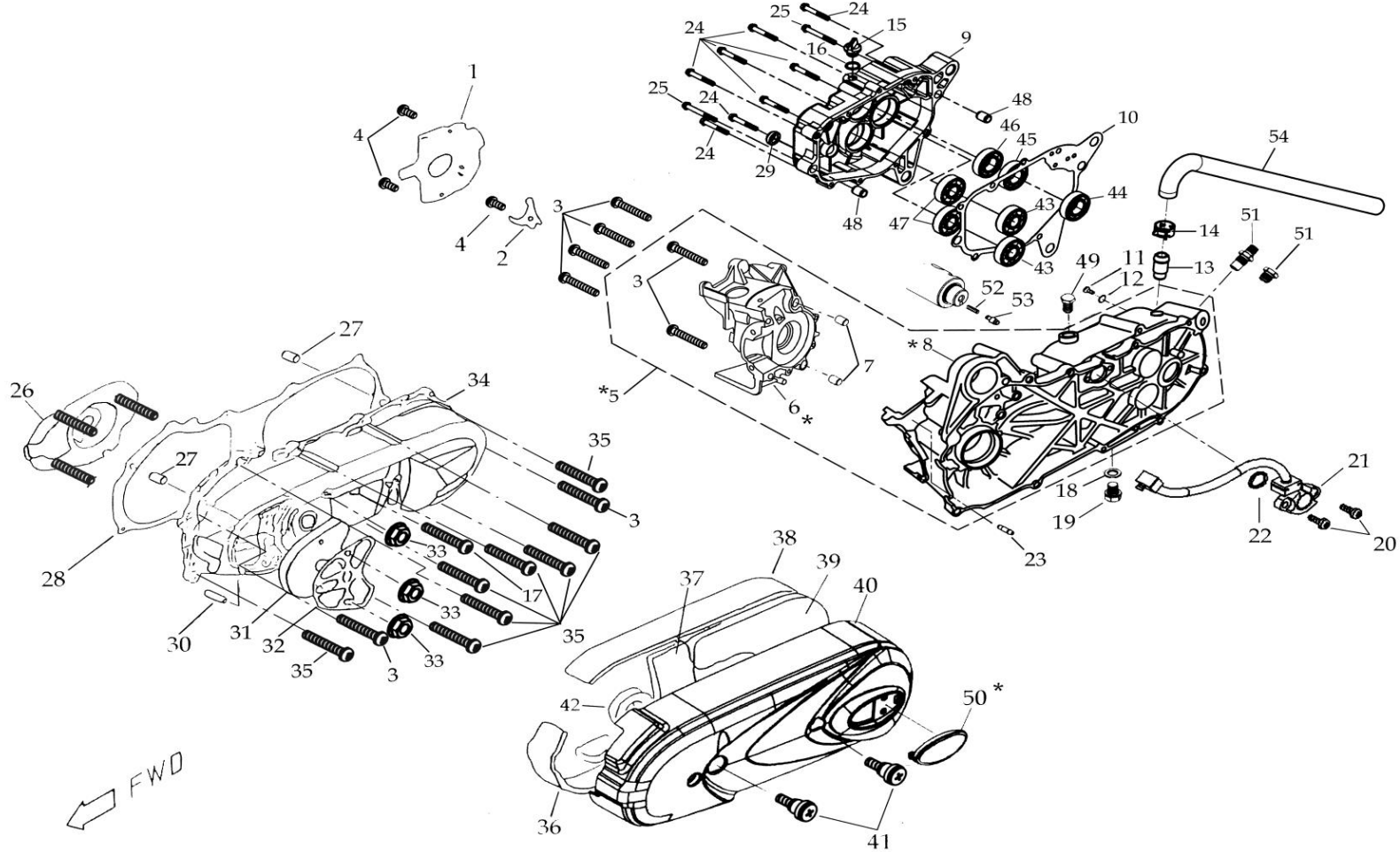


D2001-071A

CARBURETOR (WJ)

Model	Item	Part no	Description	Specification	Quantity
110cc.~90cc.	01	E060106-00	CARBURETOR ASSEMBLY		1
50cc,	*	E060107-00	CARBURETOR ASSEMBLY		1
110cc.~90cc.	02	E060099-00	CARBURETOR	WJ/99	1
50cc,	*	E060100-00	CARBURETOR	WJ/98	1
	03	A050141-41	BOLT	M5X0.8X50L	2
	04	E060093-00	OUTTER,CARBURETOR		1
	05	E060096-00	GASKET,CARBURETOR		2
	06	E060094-00	INNER,CARBURETOR		1
	07	E060095-00	BRACKET,CARBURETOR		1
	08	A050155-41	SCREW , PAN HEAD	M4X0.7X8L	1
	09	E060098-00	TUBE	Ø4.6XØ3.1X145L	1

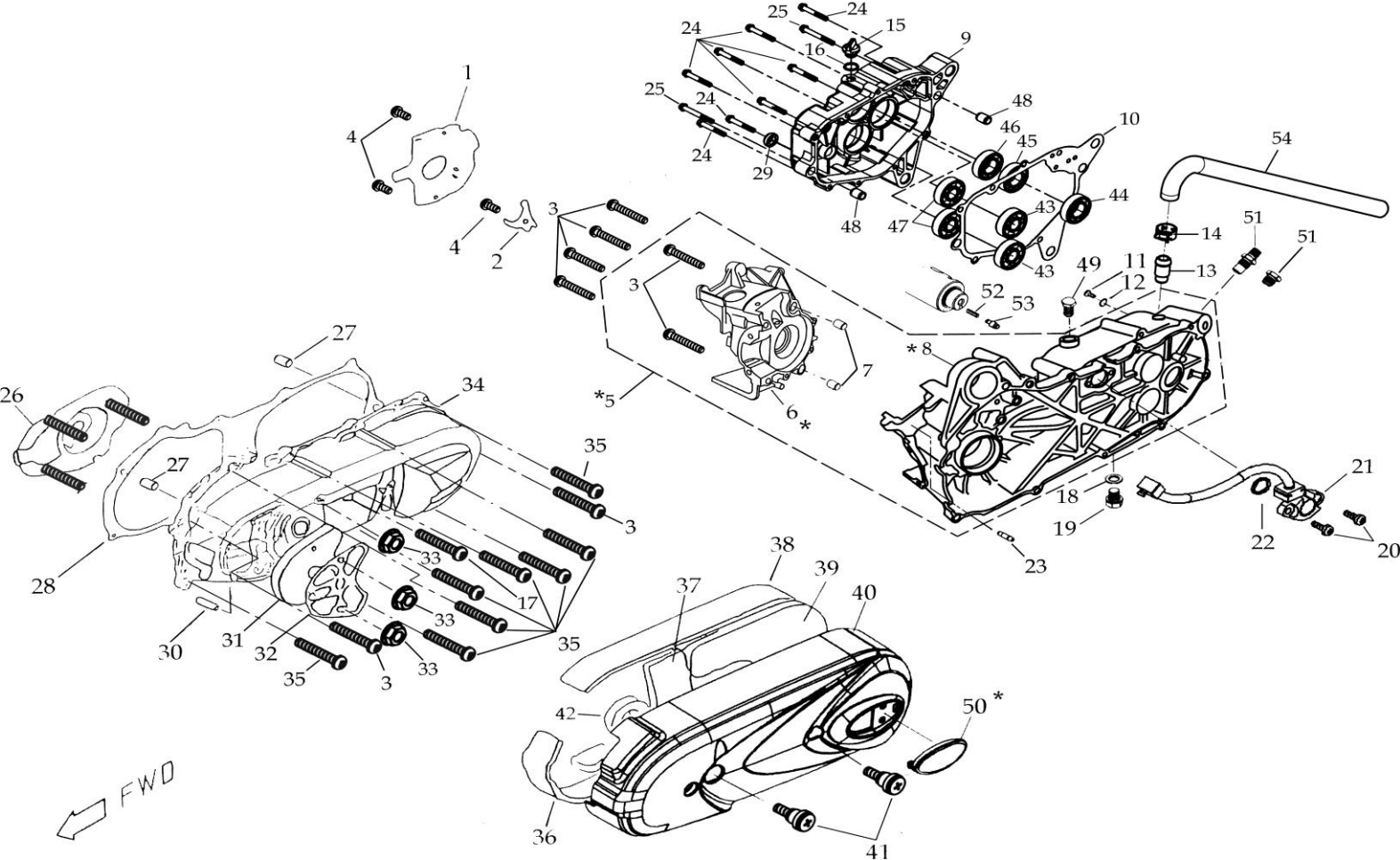
CRANKCASE(H/R,L/R GEAR)



CRANKCASE(H/R,L/R GEAR)

Model	Item	Part no	Description	Specification	Quantity
	01	E070058-00	GASKET , CRANKCASE COVER 3		1
	02	E070060-00	HOLDER		1
	03	A050040-41	SCREW , PAN HEAD	M6X1.0X35L	8
	04	A050043-41	SCREW , PAN HEAD	M6X1.0X12L	1
110cc,	05	E060122-00	CRANKCASE ASSEMBLY		1
100/90cc.	*	E060144-00	CRANKCASE ASSEMBLY		1
50cc,	*	E060143-00	CRANKCASE ASSEMBLY		1
110cc,	06		CRANKCASE ,R.H.		1
100/90cc.	*		CRANKCASE ,R.H.		1
50cc,	*		CRANKCASE ,R.H.		1
	07		PIN , DOWEL	Ø12X16	2
110cc,	08		CRANKCASE ,L.H.		1
100/90cc.	*		CRANKCASE ,L.H.		1
50cc,	*		CRANKCASE ,L.H.		1
	09	E060026A00	COVER , GEAR BOX		1
	10	E060046A00	GASKET		1
	11	A050044-41	SCREW , PAN HEAD	M6X1.0X10L	1
	12	A080026-41	WASHER , PLATE	Ø6.5XØ19X1.2	1
	13		CONNECT,BREATHER HOSE		1
	14	E130054-41	TUBE CLIP	Ø14	1
	15	E060049-00	PLUG , OIL	M14X1.5X10L	1
	16	A040005-00	O-RING	Ø13.8XØ2.4	1
	17	A050061-41	SCREW , PAN HEAD	M6X1.0X65L	1
	18	A080052-00	WASHER DRAIN PLUG	Ø12.2XØ20X2.0	1
	19	A050071-41	BOLT ,PLUG DRAIN	M12X1.5X15L	1

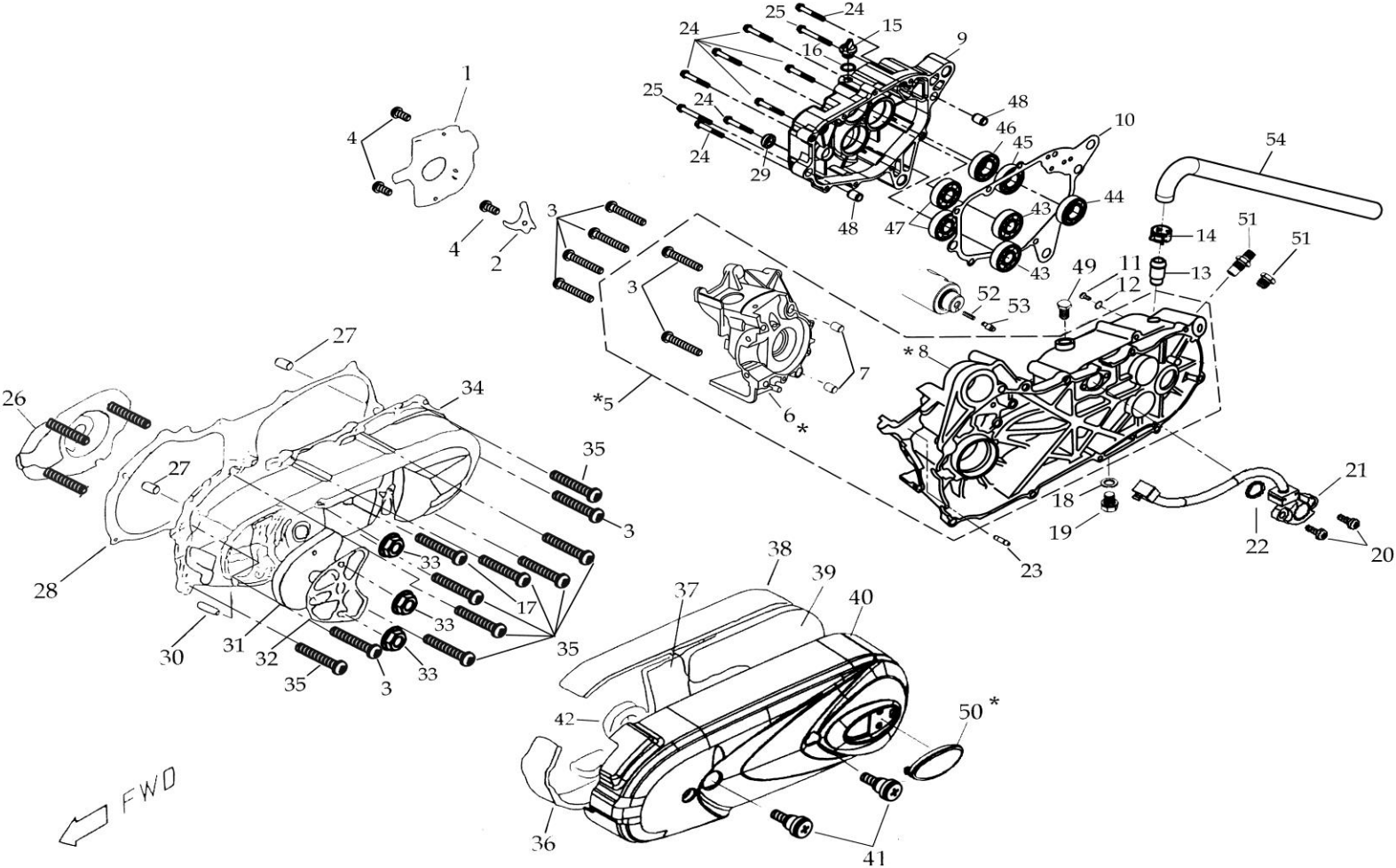
CRANKCASE(H/R,L/R GEAR)



CRANKCASE(H/R,L/R GEAR)

Model	Item	Part no	Description	Specification	Quantity
	20	A050035-41	SCREW , PAN HEAD	M5X0.8X14L	2
	21	E020179-00	INDICATOR,GEAR SHIFT	R,D	1
	22	A040012-00	O-RING	Ø21XØ2.4	1
	23	E060092-00	CONNECTOR , HOSE		1
	24	A050069-41	HEX WASHER FACE BOLT	M6X1.0X40L	8
	25	A050070-41	HEX WASHER FACE BOLT	M6X1.0X50L	2
	26	E070069-00	PLATE		1
	27	A070009-00	PIN , DOWEL	Ø10X14L	2
	28	E070070-00	GASKET , CRANKCASE COVER 1		1
	29	E060047-00	INDICATOR , OIL	Ø20	1
	30	E070071-00	SHAFT	Ø8X31L	1
	31	E070072-00	ELEMENT 1		1
	32	E070073-00	GUIDE ELEMENT		1
	33	A060017-41	NUT FLG	M6X1.0	3
	34	E060040-00	COVER , CRANKCASE 1		1
	35	A050042-41	SCREW , PAN HEAD	M6X1.0X25L	8
	36	E070075-00	DAMPER 4		1
	37	E070076-00	DAMPER 2		1
	38	E070077-00	DAMPER 3		1
	39	E070078-00	DAMPER 1		1
	40	E060078-00	COVER , CRANKCASE 3		1
	41	A050050-43	POSITION BOLT	M6X1.0X23L	2
	42	E070080-00	DAMPER 5		1
	43	A010028-00	BEARING , RADIAL BALL	6202Z	2
	44	A010024-00	BEARING , RADIAL BALL	6203	1

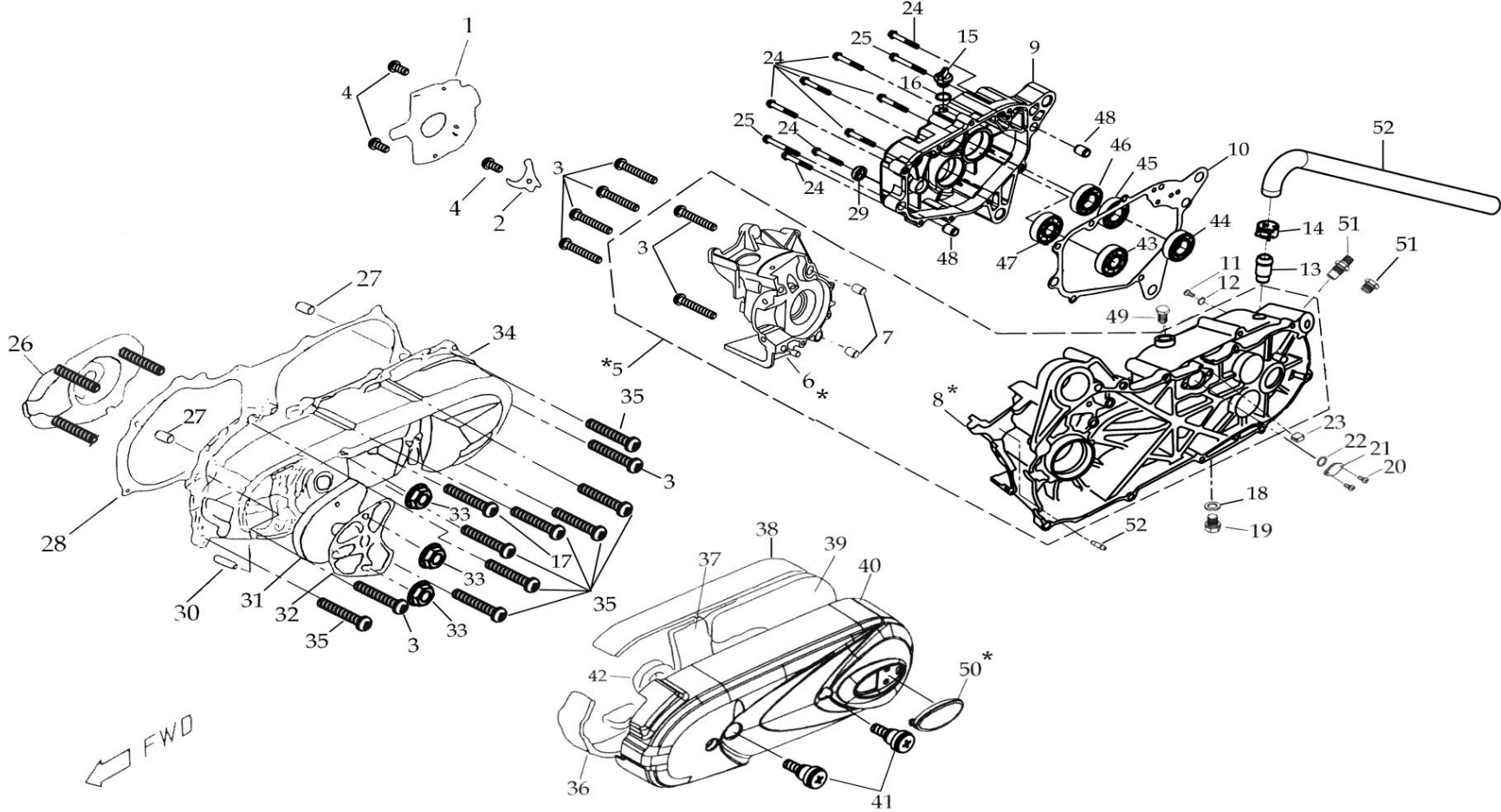
CRANKCASE(H/R,L/R GEAR)



CRANKCASE(H/R,L/R GEAR)

Model	Item	Part no	Description	Specification	Quantity
	45	A010025-00	BEARING , RADIAL BALL	6004	1
	46	A010026-00	BEARING , RADIAL BALL	6004LU	1
	47	A010022-00	BEARING , RADIAL BALL	6302Z	2
	48	A070008-00	PIN , DOWEL	Ø12X16L	2
	49	E060021-42	BOLT, SHIFT LOCK		1
	50	E060079-01	Mark	DINLI MARK	1
	*	E060079-03	Mark	NONE MARK	1
	51	A050118-00	BOLT(For no SPEEDOMETER)	M15X1.0X10	1
	51	E060035-00	CONNECTOR,SPEEDOMETER		1
	52	A110002-00	SPRING,COMPRESSION		1
	53	E060023-00	SWITCH,indicator		1
	54	E130066-00	BREATHER HOSE		1

CRANKCASE(L,H GEAR)

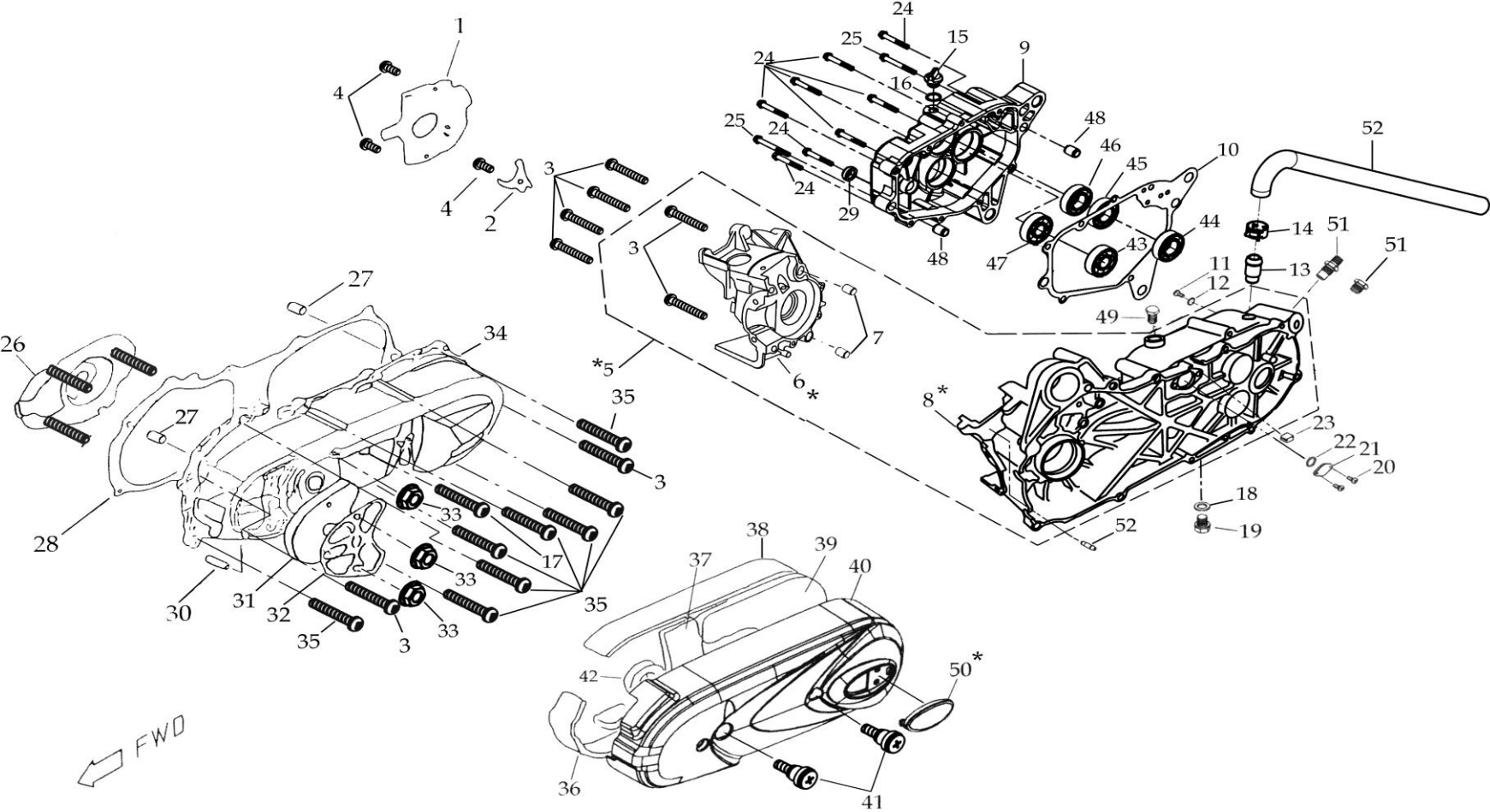


DZ001-091B

CRANKCASE(L,H GEAR)

Model	Item	Part no	Description	Specification	Quantity
	01	E070058-00	GASKET , CRANKCASE COVER 3		1
	02	E070060-00	HOLDER		1
	03	A050040-41	SCREW , PAN HEAD	M6X1.0X35L	7
	04	A050043-41	SCREW , PAN HEAD	M6X1.0X12L	3
110cc,	05	E060122-00	CRANKCASE ASSEMBLY		1
100/90cc.	*	E060144-00	CRANKCASE ASSEMBLY		1
50cc	*	E060143-00	CRANKCASE ASSEMBLY		1
110cc,	06		CRANKCASE ,R.H.		1
100/90cc.	*		CRANKCASE ,R.H.		1
50cc,	*		CRANKCASE ,R.H.		1
	07		PIN , DOWEL	Ø12X16	2
110cc,	08		CRANKCASE ,L.H.		1
100/90cc.	*		CRANKCASE ,L.H.		1
50cc,	*		CRANKCASE ,L.H.		1
	09	E060062-00	COVER , GEAR BOX		1
	10	E060046A00	GASKET		1
	11	A050044-41	SCREW , PAN HEAD	M6X1.0X10L	1
	12	A080026-41	WASHER , PLATE	Ø6.5XØ19X1.2	1
	13		CONNECT,BREATHER HOSE		1
	14	E130054-41	TUBE CLIP	Ø14	1
	15	E060049-00	PLUG , OIL	M14X1.5X10L	1
	16	A040005-00	O-RING	Ø13.8XØ2.4	1
	17	A050061-41	SCREW , PAN HEAD	M6X1.0X65L	1
	18	A080052-00	WASHER DRAIN PLUG	Ø12.2XØ20X2.0	1
	19	A050071-41	BOLT ,PLUG DRAIN	M12X1.5X15L	1

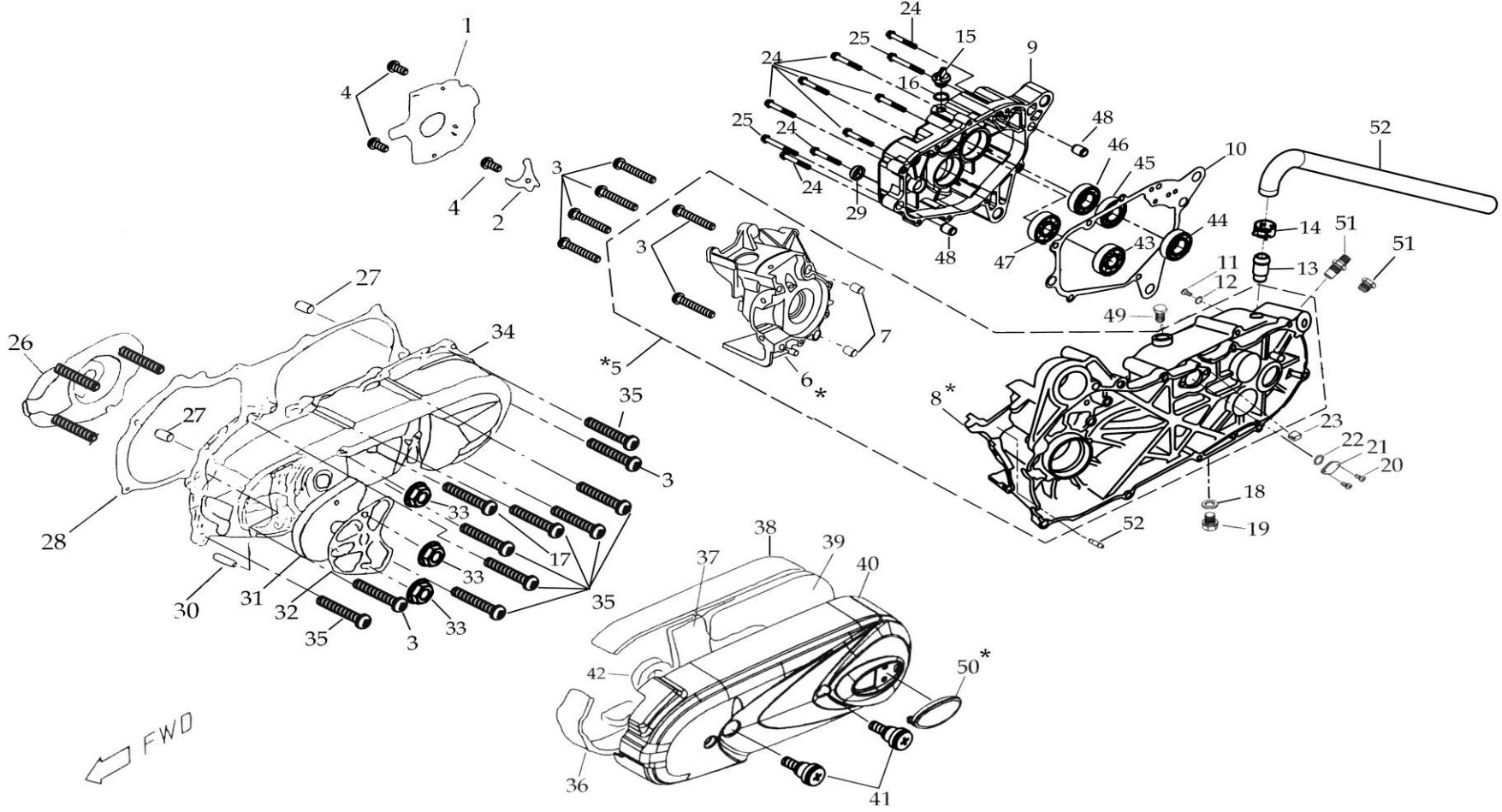
CRANKCASE(L,H GEAR)



CRANKCASE (L,H GEAR)

Model	Item	Part no	Description	Specification	Quantity
	20	A050035-41	SCREW , PAN HEAD	M5X0.8X14L	2
	21	E060048-42	FLANGE		1
	22	A040012-00	O-RING	Ø21XØ2.4	1
	23	E060050-00	SEAL,RUBER		1
	24	A050069-41	HEX WASHER FACE BOLT	M6X1.0X40L	8
	25	A050070-41	HEX WASHER FACE BOLT	M6X1.0X50L	2
	26	E070069-00	PLATE		1
	27	A070009-00	PIN , DOWEL	Ø10X14L	2
	28	E070070-00	GASKET , CRANKCASE COVER 1		1
	29	E060047-00	INDICATOR , OIL	Ø20	1
	30	E070071-00	SHAFT	Ø8X31L	1
	31	E070072-00	ELEMENT 1		1
	32	E070073-00	GUIDE ELEMENT		1
	33	A060017-41	NUT FLG	M6X1.0	3
	34	E060040-00	COVER , CRANKCASE 1		1
	35	A050042-41	SCREW , PAN HEAD	M6X1.0X25L	8
	36	E070075-00	DAMPER 4		1
	37	E070076-00	DAMPER 2		1
	38	E070077-00	DAMPER 3		1
	39	E070078-00	DAMPER 1		1
	40	E060078-00	COVER , CRANKCASE 3		1
	41	A050050-43	POSITION BOLT	M6X1.0X23L	2
	42	E070080-00	DAMPER 5		1
	43	A010028-00	BEARING , RADIAL BALL	6202Z	1
	44	A010024-00	BEARING , RADIAL BALL	6203	1

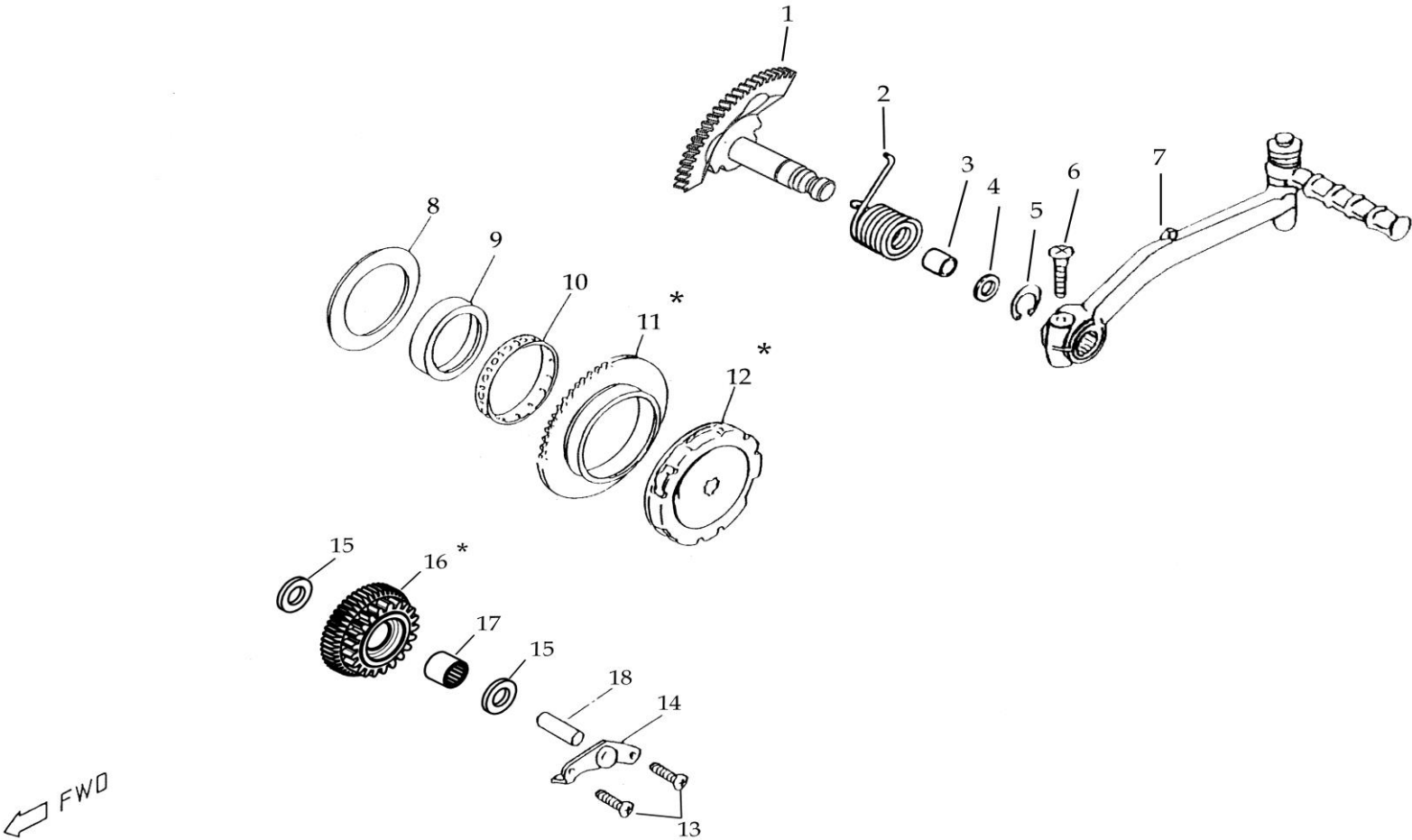
CRANKCASE(L,H GEAR)



CRANKCASE (L,H GEAR)

Model	Item	Part no	Description	Specification	Quantity
	45	A010025-00	BEARING , RADIAL BALL	6004	1
	46	A010026-00	BEARING , RADIAL BALL	6004LU	1
	47	A010022-00	BEARING , RADIAL BALL	6302Z	1
	48	A070008-00	PIN , DOWEL	Ø12X16L	2
	49	E060021-42	BOLT, SHIFT LOCK		1
	50	E060079-01	Mark	DINLI MARK	1
	*	E060079-03	Mark	NONE MARK	1
	51	A050118-00	BOLT(For no SPEEDOMETER)	M15X1.0X10	1
	51	E060035-00	CONNECTOR,SPEEDOMETER		1
	52	E130066-00	BREATHER HOSE		1

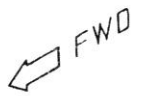
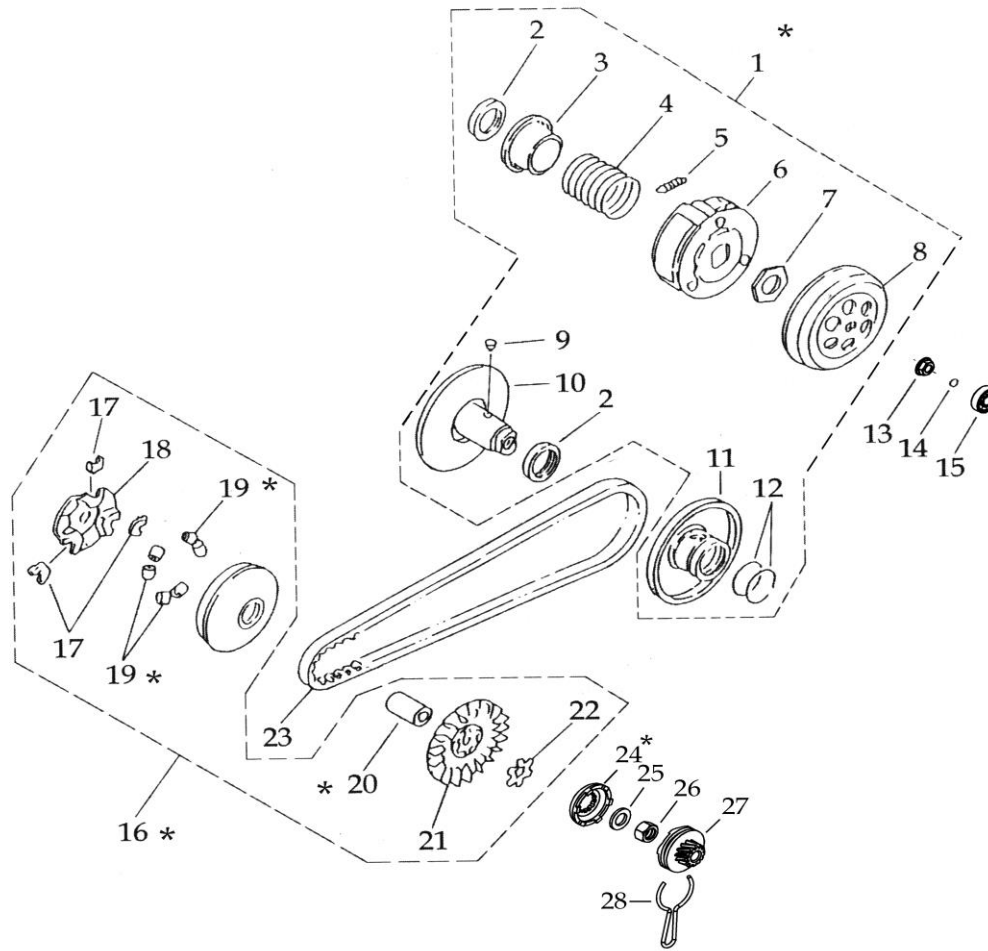
STARTER



A

STARTER

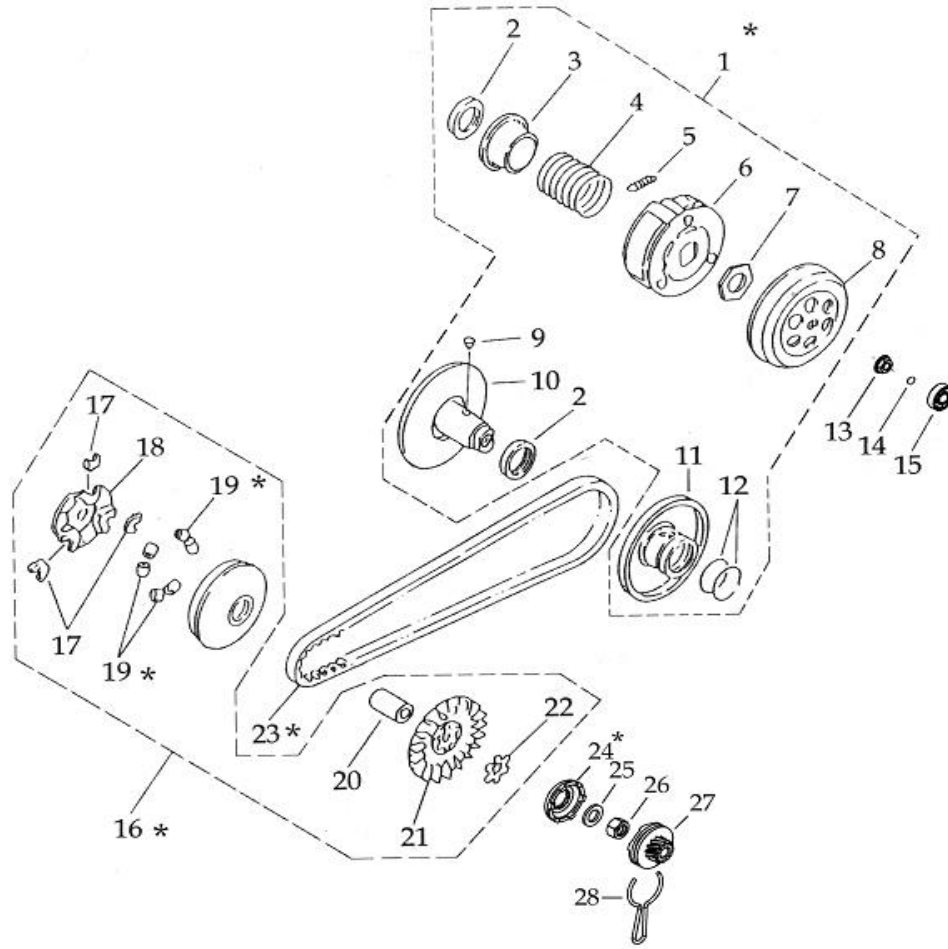
Model	Item	Part no	Description	Specification	Quantity
	01	E070081-00	KICK SHAFT ASSEMBLY		1
	02	E070082-00	SPRING , TORSION		1
	03	E070083-00	BUSH , SOLID		1
	04	A080023-41	WASHER , PLATE	Ø15XØ28X1.0	1
	05	A100008-43	CIRCLIP	Ø15	1
	06	A050051-41	BOLT	M6X1.0X25L	1
	07	E070085-00	KICK CRANK ASSEMBLY		1
	08	A080024-00	WASHER , PLATE	Ø55.5XØ76X0.5	1
	09	E070086-00	BOSS ,GEAR 2		1
	10	A010012-00	BEARING , CYLINDRICAL		1
110cc.~90cc.	11	E070088-00	WHEEL , STARTER		1
50cc,	*	E070143-00	WHEEL , STARTER		1
110cc.~90cc.	12	E070089-00	STARTER CLUTCH ASSEMBLY		1
50cc,	*	E070145-00	STARTER CLUTCH ASSEMBLY		1
	13	A050043-41	SCREW , PAN HEAD	M6X1.0X12L	2
	14	E070095-00	PLATE , IDLE GEAR		1
	15	A080025-41	WASHER , PLATE	Ø8.2XØ15X2.0	2
110cc.~90cc.	16	E070092-00	IDLE GEAR		1
50cc,	*	E070148-00	IDLE GEAR		1
	17	A010029-00	BEARING , NEEDLE ROLLER	HK0810	1
	18	E070094-00	SHAFT , IDLE GEAR	Ø8X31L	1



D2001-111B

C.V.T

Model	Item	Part no	Description	Specification	Quantity
110cc.~90cc.	01	E070096-00	SECONDARY SHEAVE ASSEMBLY		1
50cc,	*	E070159-00	SECONDARY SHEAVE ASSEMBLY		1
	02		OIL SEAL		2
	03		SEAT , SECONDARY SPRING		1
	04		SPRING , COMPRESSION		1
	05		SPRING , CLUTCH WEIGHT 1		3
	06		CLUTCH CARRIER ASSEMBLY		1
	07		NUT		1
	08		CLUTCH HOUSING COMPLETE		1
	09		PIN , guide		2
	10		SECONDARY FIXED SHEAVE COMPLETE		1
	11		SECONDARY SLIDING SHEAVE		1
	12		O-RING	Ø6.45XØ3.1	2
	13	A060020-41	WASHER FACE NUT	M10	1
	14	A040006-00	O-RING	Ø6.45XØ3.1	1
	15	A010014-00	BEARING	638ZZ	1
110cc.~90cc.	16	E070107-00	PRIMARY SLIDING SHEAVE COMPLETE		1
50cc,	*	E070147-00	PRIMARY SLIDING SHEAVE COMPLETE		1
	17	E070104-00	PIECE,SLIDE		3
	18	E070105-00	PLATE,RAMP		1
110cc.~90cc.	19	E070106-00	WEIGHT		6
50cc,	*	E070166-00	WEIGHT		6
110cc.~90cc.	20	E070109-00	COLLAR		1
50cc,	*	E060161-00	COLLAR		1
	21	E070110-00	SHEAVE , PRIMARY fixed		1
	22	A080028-41	WASHER , CLAW		1



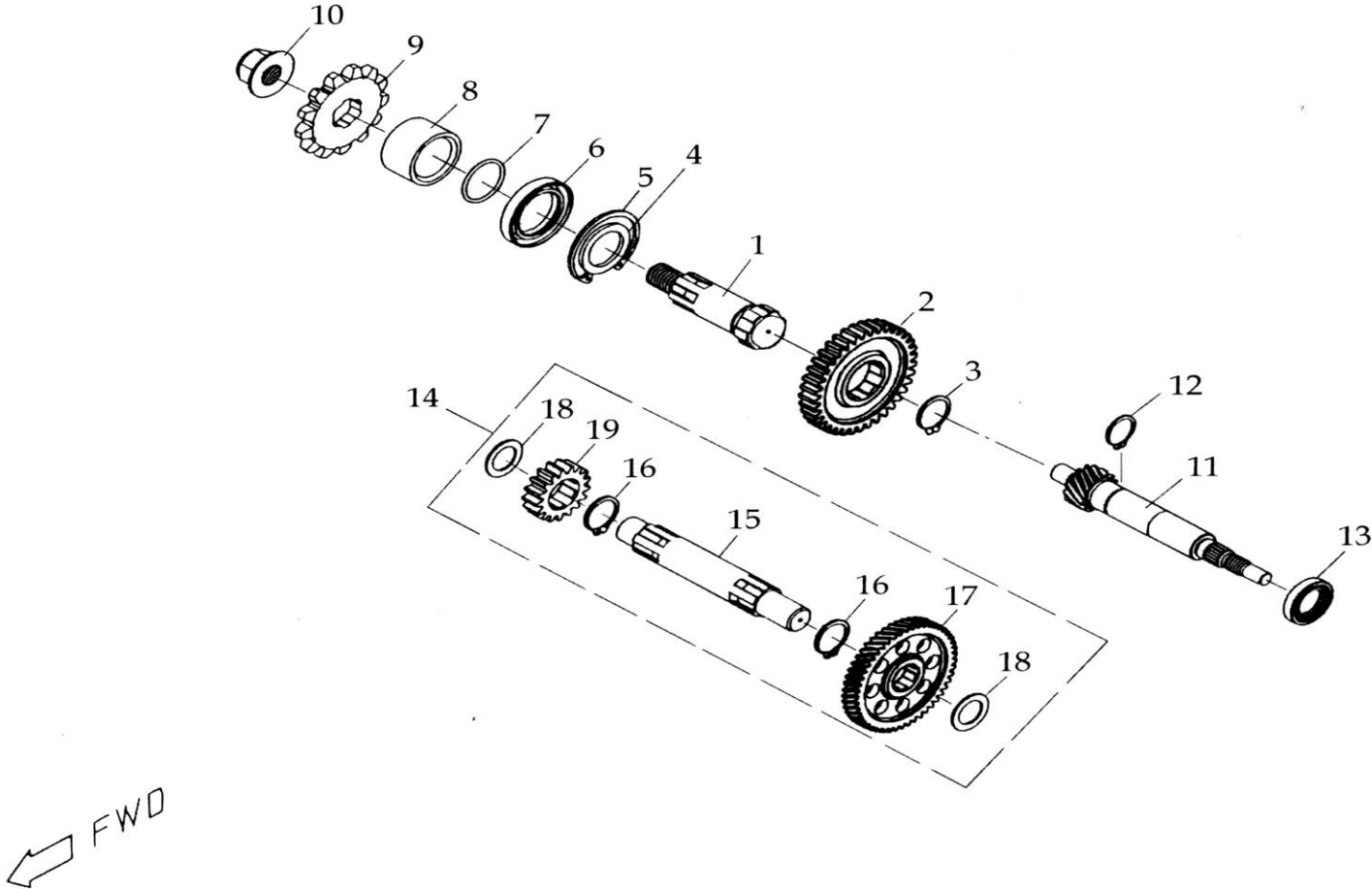
← FWD

B

C.V.T

Model	Item	Part no	Description	Specification	Quantity
110cc.~90cc.	23	E060160-00	V-BELT	780X16.5X28(YELLOW)	1
50cc,	*	E060153-00	V-BELT	780X16.5X28	1
110cc.~90cc.	24	E070111-00	CLUTCH , ONEWAY	9.5mm	1
50cc,	*	E070146-00	CLUTCH , ONEWAY		1
	25	A080029-00	WASHER , CONICAL SPRING	Ø10.5XØ24	1
	26	A060021-00	HEXNUT	M10X1.25	1
	27	E070091-00	KICK PINION ASSEMBLY		1
	28	E070090-00	CLIP		1

Transmission(H. GEAR)

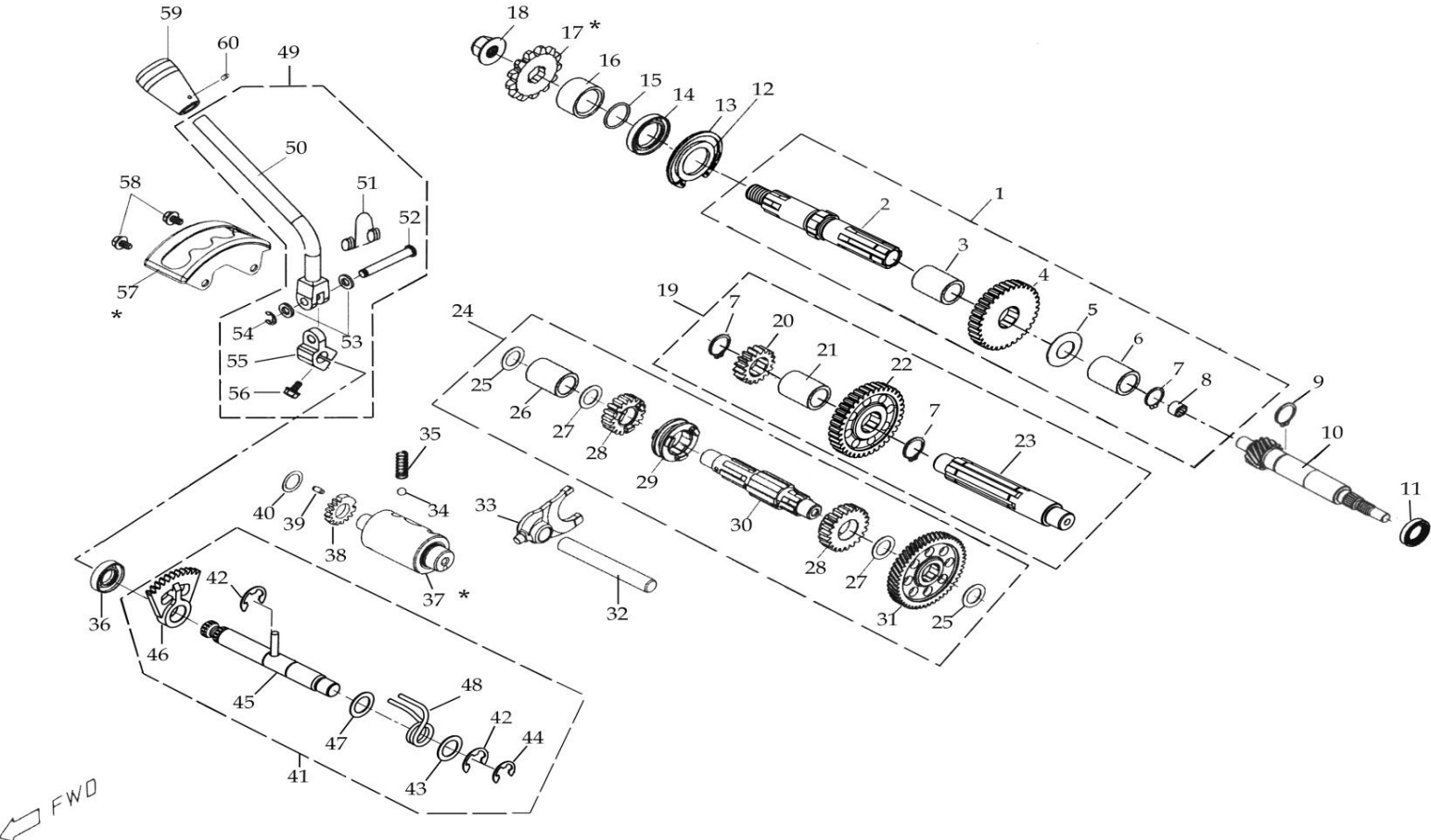


D2001-121A

Transmission(H. GEAR)

Model	Item	Part no	Description	Specification	Quantity
	01	E060060A00	SHAFT, OUTPUT		1
	02	E060117C00	GEAR , OUTPUT H	33T	1
	03	A100013-43	CIRCLIP , EXTERNAL	Ø25	1
	04	A080047-00	SPACER	Ø20.2XØ28X2.0	1
	05	A100005-00	CIRCLIP , INTERNAL	Ø42	1
	06	A030014-00	OIL SEAL	TCØ28XØ42X7	1
	07	A040013-00	O-RING	Ø19.5XØ1.5	1
	08	E060020-00	COLLAR	Ø27XØ20X16	1
	09	E060066-00	SPROCKET , DRIVE	428X16T	1
	10	A060006-41	U NUT	M14X1.5	1
	11	E060031B00	GEAR , PRIMARY DRIVE LH.	M1.5X14T	1
	12	A100009-43	CIRCLIP	Ø17	1
	13	A030009-00	OIL SEAL	TCØ17XØ28X5.5	1
	14	E060114-00	ASS'Y COUNT SHAFT		1
	15	E060061-00	SHAFT, COUNTER		1
	16	A100010-00	CIRCLIP , EXTERNAL	Ø20	2
	17	E060009D00	GEAR , COUNTER LH.	M1.5X50T	1
	18	A080046-00	WASHER , PLATE	Ø15.2XØ23X1.0	2
	19	E060116B00	GEAR , COUNTER H.	22T	1

Transmission(H/R. GEAR)



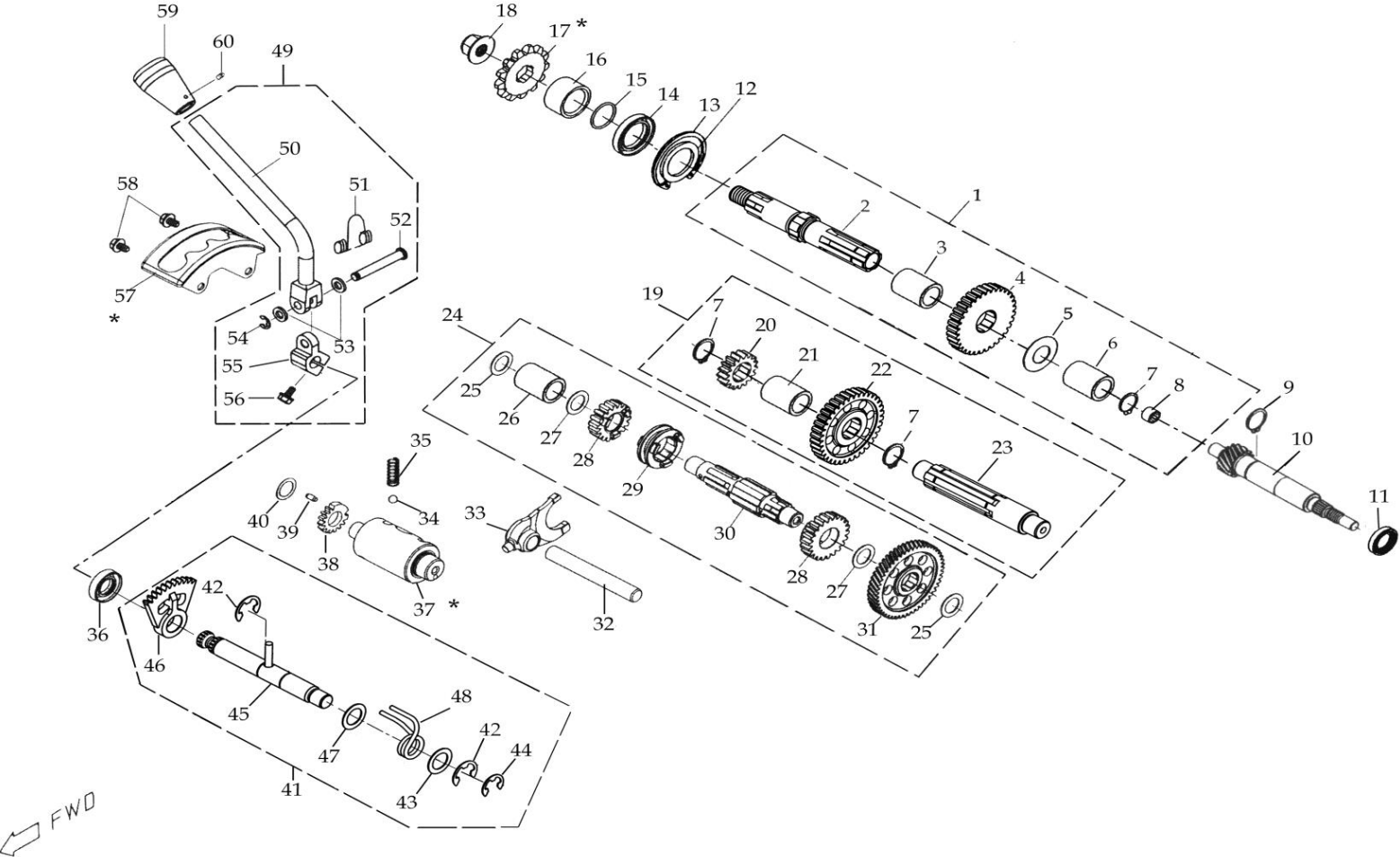
D2001-131B

Transmission(H/R. GEAR)

Model	Item	Part no	Description	Specification	Quantity
	01	E020168-00	MAIN SHAFT ASSY'		1
	02	E060017A00	SHAFT, OUTPUT		1
	03	E060019-00	COLLAR	Ø28XØ20.2X22.2	1
	04	E060008A00	GEAR , OUTPUT H	33T	1
	05	A110011-00	SPRING , DISK	Ø40XØ20.4X1t	1
	06	E060051-00	COLLAR	Ø28XØ20.2X16.2	1
	07	A100010-00	CIRCLIP , EXTERNAL	Ø20	3
	08	A010023-00	BEARING , NEEDLE ROLLER	TLA1010Z	1
	09	A100009-43	CIRCLIP , EXTERNAL	Ø17	1
	10	E060090B00	GEAR , PRIMARY DRIVE	M1.5X14T	1
	11	A030009-00	OIL SEAL	TCØ17XØ28X5.5	1
	12	A080047-00	SPACER	Ø20.2XØ28X2.0	1
	13	A100005-00	CIRCLIP , INTERNAL	Ø42	1
	14	A030014-00	OIL SEAL	TCØ27XØ42X7	1
	15	A040013-00	O-RING	Ø19XØ1.5	1
	16	E060020-00	COLLAR	Ø27XØ20X16	1
	17	E060066-00	SPROCKET, DRIVE	428X16T	1
	*	F060044-00	SPROCKET, DRIVE	428X13T	1
	18	A060006-41	U NUT	M14XP1.5	1
	19	E020170-00	REVERSE SHAFT ASSY'		1
	20	E020169C00	GEAR 2ND , REVERSE R3	M1.75X22T	1
	21	A090007-00	COLLAR	Ø28XØ20.2X27.2	1
	22	E060037B00	GEAR 2ND , REVERSE R2	M1.75X37T	1
	23	E020171-00	REVERS SHAFT		1
	24	E060111-00	COUNT SHAFT ASSY'		1

DL-7

Transmission(H/R. GEAR)



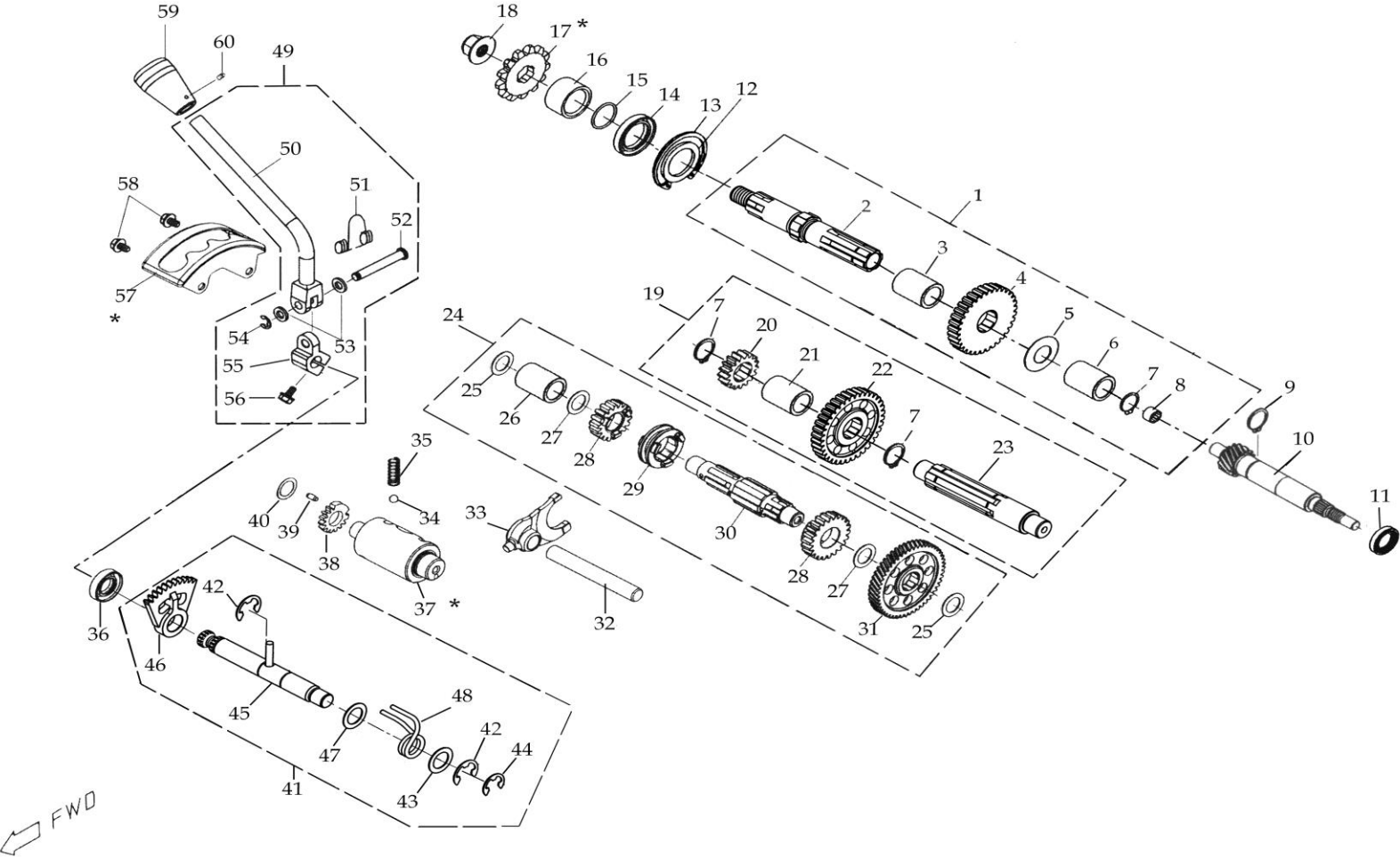
-131B

Transmission(H/R. GEAR)

Model	Item	Part no	Description	Specification	Quantity
	25	A080046-00	WASHER , PLATE	Ø23XØ15.2X1	2
	26	A090006-00	SPACER	Ø28XØ20.2X31.7	1
	27	A080057-00	WASHER , PLATE	Ø27XØ20.2X0.5	2
	28	E060010D00	GEAR, COUNTER R.H	M1.75X22T	2
	29	E060011B00	CLUTCH , R.H		1
	30	E020173-00	COUNTER SHAFT		1
	31	E060089-00	GEAR , COUNTER P2	M1.5X50T	1
	32	E060006-00	FORK SHAFT		1
	33	E010031-00	FORK		1
	34	A150001-00	BALL,BEARING	Ø9.525	1
	35	A110001-41	SPRING,COMPRESSION	Ø8X25L P0.9	1
	36	A030015-00	OIL SEAL	TC Ø14XØ28X7	1
	37	E060149-00	CAM SHAFT	H,N,R	1
	*		CAM SHAFT	H,R	1
	38	E060014-00	GEAR , CAMSHAFT	M1.5X16T	1
	39	E060024-00	DOWEL PIN	Ø4X6L	1
	40	A080045-00	SPACER	Ø14.2XØ19.8X0.5	1
	41	E060131A00	GEARSHIFT ASSY'		1
	42	A100020-00	RETAINING RINGS E TYPE	Ø12	2
	43	A080081-00	WASHER , PLATE	Ø14XØ28X1.0t	1
	44	A100002-43	RETAINING RINGS E TYPE	Ø10	1
	45	E060128-00	SHAFT, GEARSHIFT		1
	46	E060127-00	GEAR,GEARSHIFT		1
	47	A080005-41	WASHER , PLATE	Ø14.2XØ22X1.0t	1
	48	A110027-42	SPRING ,GEARSHIFT		1

DL-7

Transmission(H/R. GEAR)



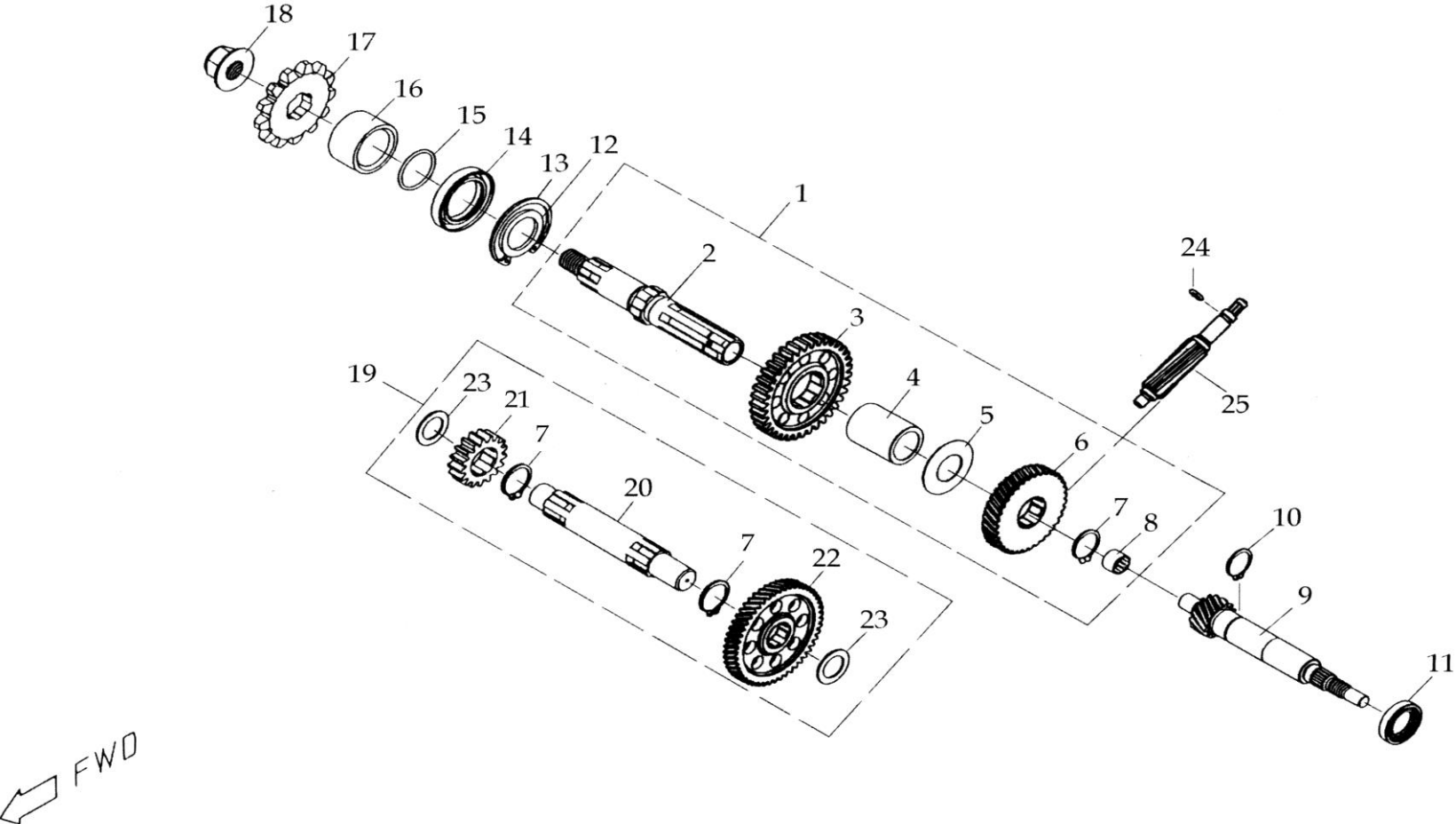
131B

Transmission(H/R. GEAR)

Model	Item	Part no	Description	Specification	Quantity
	49	E060053-00	GEAR SHIFT ASSY'		1
	50	E060048-42	FLANGE		1
	51	A110013-41	SPRING , GEAR SHIFT		1
	52	E060045-00	SHAFT , GEAR SHIFT		1
	53	A080025-41	WASHER , PLATE	Ø8.2XØ15X2.0	2
	54	A100012-43	RETAINING RINGS E TYPE	Ø7	1
	55	E060042-00	CONNECTER , GEAR SHIFT		1
	56	A050051-41	BOLT	M6X25L P1.0	1
	57	E060150A00	INDICATOR , GEAR SHIFT	D,N,R	1
	*	E060086-00	INDICATOR , GEAR SHIFT	D,R	1
	58	A050091-41	MACHINE SCREW	M6X12L P1.0	2
	59	E060028-00	CONICAL KNOBS		1
	60	A050072-41	SCREW , HEXAGON SOCKET	M4X5L P0.7	1

DL-7

Transmission(H. GEAR + SPEEDOMETER)

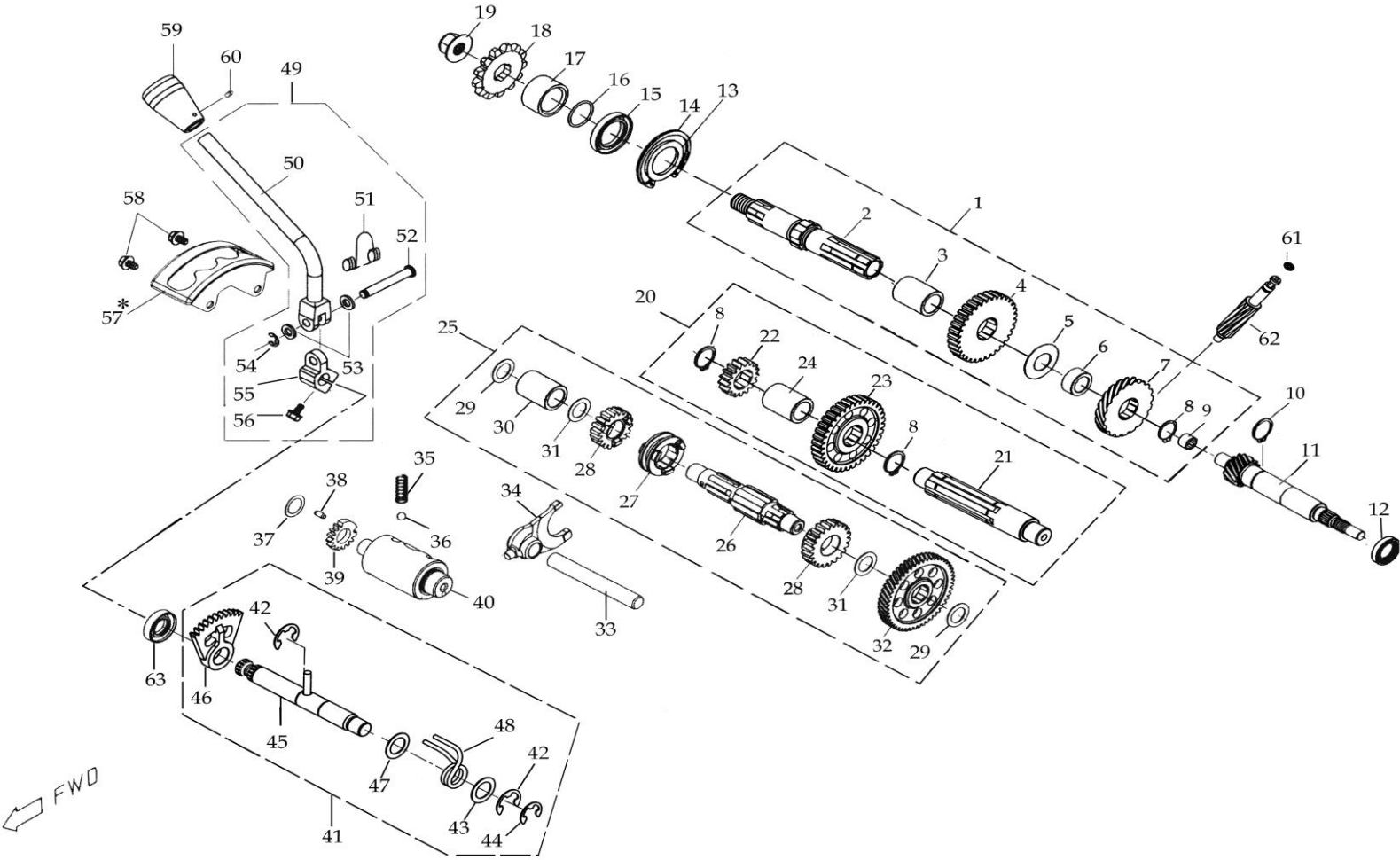


D2001-141A

Transmission(H. GEAR + SPEEDOMETER)

Model	Item	Part no	Description	Specification	Quantity
	01	E060118-00	ASS'Y MAIN SHAFT		1
	02	E060017A00	SHAFT, OUTPUT		1
	03	E060117C00	GEAR , OUTPUT H	33T	1
	04	E060052-00	COLLAR		1
	05	A110011-00	SPRING , DISK	Ø40XØ20.4X1t	1
	06	E060034-00	DRIVE , SPEEDOMETER	20T	1
	07	A100010-00	CIRCLIP , EXTERNAL	Ø20	3
	08	A010023-00	BEARING , NEEDLE ROLLER	TLA1010Z	1
	09	E060031B00	GEAR , PRIMARY DRIVE	M1.5X14T	1
	10	A100009-43	CIRCLIP	Ø17	1
	11	A030009-00	OIL SEAL	TCØ17XØ28X5.5	1
	12	A080047-00	SPACER	Ø20.2XØ28X2.0	1
	13	A100005-00	CIRCLIP , INTERNAL	Ø42	1
	14	A030014-00	OIL SEAL	TCØ28XØ42X7	1
	15	A040013-00	O-RING	Ø19.5XØ1.5	1
	16	E060020-00	COLLAR	Ø27XØ20X16	1
	17	E060066-00	SPROCKET , DRIVE	428X16T	1
	18	A060006-41	U NUT	M14X1.5	1
	19	E060114-00	ASS'Y COUNT SHAFT		1
	20	E060061-00	SHAFT , COUNTER		1
	21	E060116B00	GEAR , COUNTER H	22T	1
	22	E060009D00	GEAR , COUNTER P2	M1.5*50T	1
	23	A080046-00	WASHER , PLATE	Ø15.2XØ23X1	2
	24	A040011-00	O-RING	Ø6X1.9	1
	25	E060036-00	SPEEDOMETER SHAFT	10T	1

Transmission(H/R. GEAR + SPEEDOMETER)

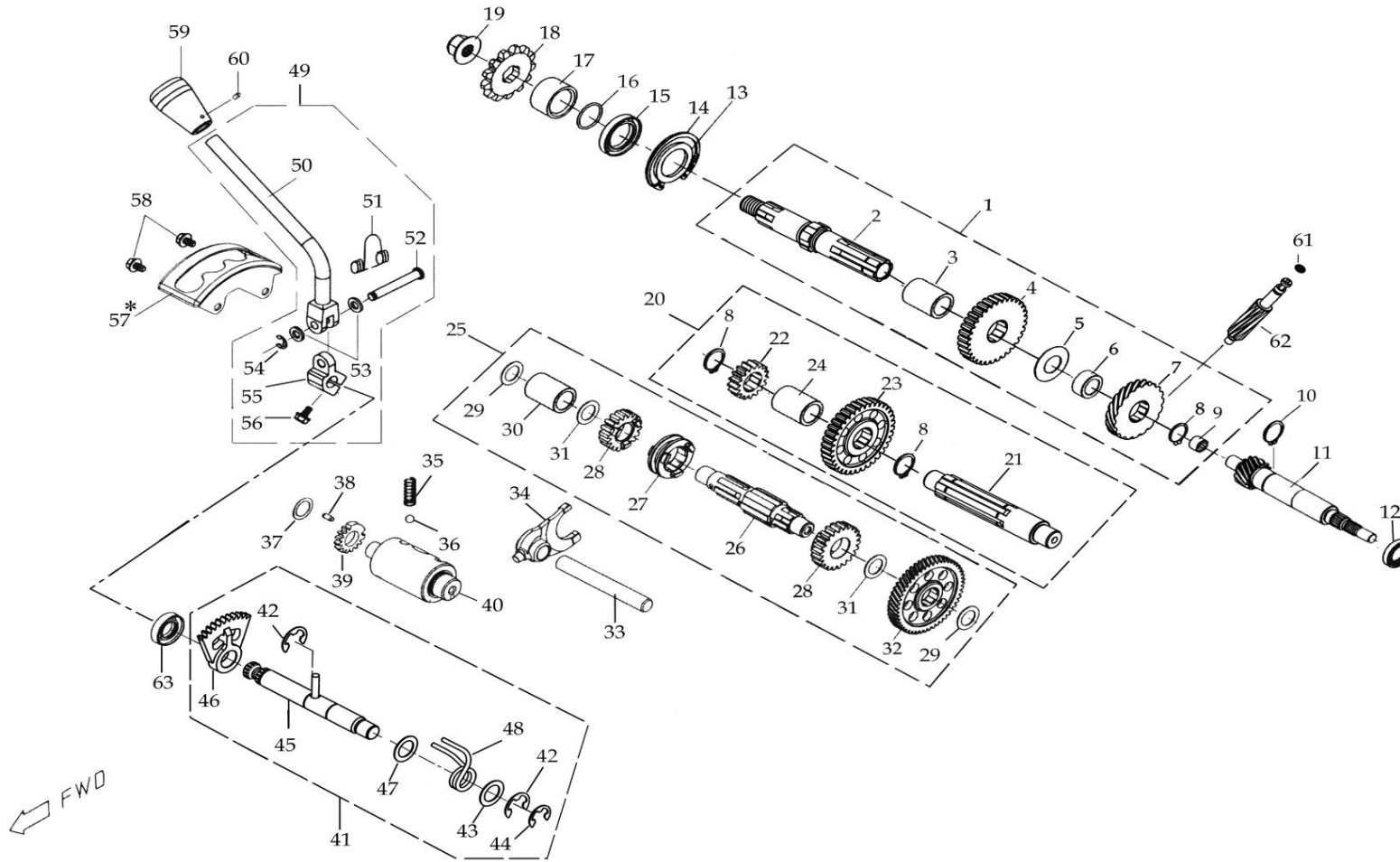


51B

Transmission(H/R. GEAR + SPEEDOMETER)

Model	Item	Part no	Description	Specification	Quantity
	01	E020167-00	MAIN SHAFT ASSY'		1
	02	E060017A00	SHAFT, OUTPUT		1
	03	E060019-00	COLLAR	Ø28XØ20.2X22.2	1
	04	E060008A00	GEAR , OUTPUT H	33T	1
	05	A110011-00	SPRING , DISK	Ø40XØ20.4X1t	1
	06	E060032-00	COLLAR	Ø28XØ20.2X7.2	1
	07	E060034-00	GEAR, SPEEDOMETER DRIVE	20T	1
	08	A100010-00	CIRCLIP , EXTERNAL	Ø20	3
	09	A010023-00	BEARING , NEEDLE ROLLER	TLA1010Z	1
	10	A100009-43	CIRCLIP , EXTERNAL	Ø17	1
	11	E060090B00	GEAR , PRIMARY DRIVE	M1.5X14T	1
	12	A030009-00	OIL SEAL	TCØ17XØ28X5.5	1
	13	A080047-00	SPACER	Ø23XØ15.2X1	1
	14	A100005-00	CIRCLIP , INTERNAL	Ø42	1
	15	A030014-00	OIL SEAL	TCØ27XØ42X7	1
	16	A040013-00	O-RING	Ø19XØ1.5	1
	17	E060020-00	COLLAR	Ø27XØ20X16	1
	18	E060066-00	SPROCKET, DRIVE	428X16T	1
	19	A060006-41	U NUT	M14 P1.5	1
	20	E020170-00	REVERSE SHAFT ASSY'		1
	21	E020171-00	REVERS SHAFT		1
	22	E020169C00	GEAR 2ND , REVERSE R3	M1.75X22T	1
	23	E060037B00	GEAR 2ND , REVERSE R2	M1.75X37T	1
	24	A090007-00	COLLAR	Ø28XØ20.2X27.2	1
	25	E060111-00	COUNT SHAFT ASSY'		1

Transmission(H/R. GEAR + SPEEDOMETER)

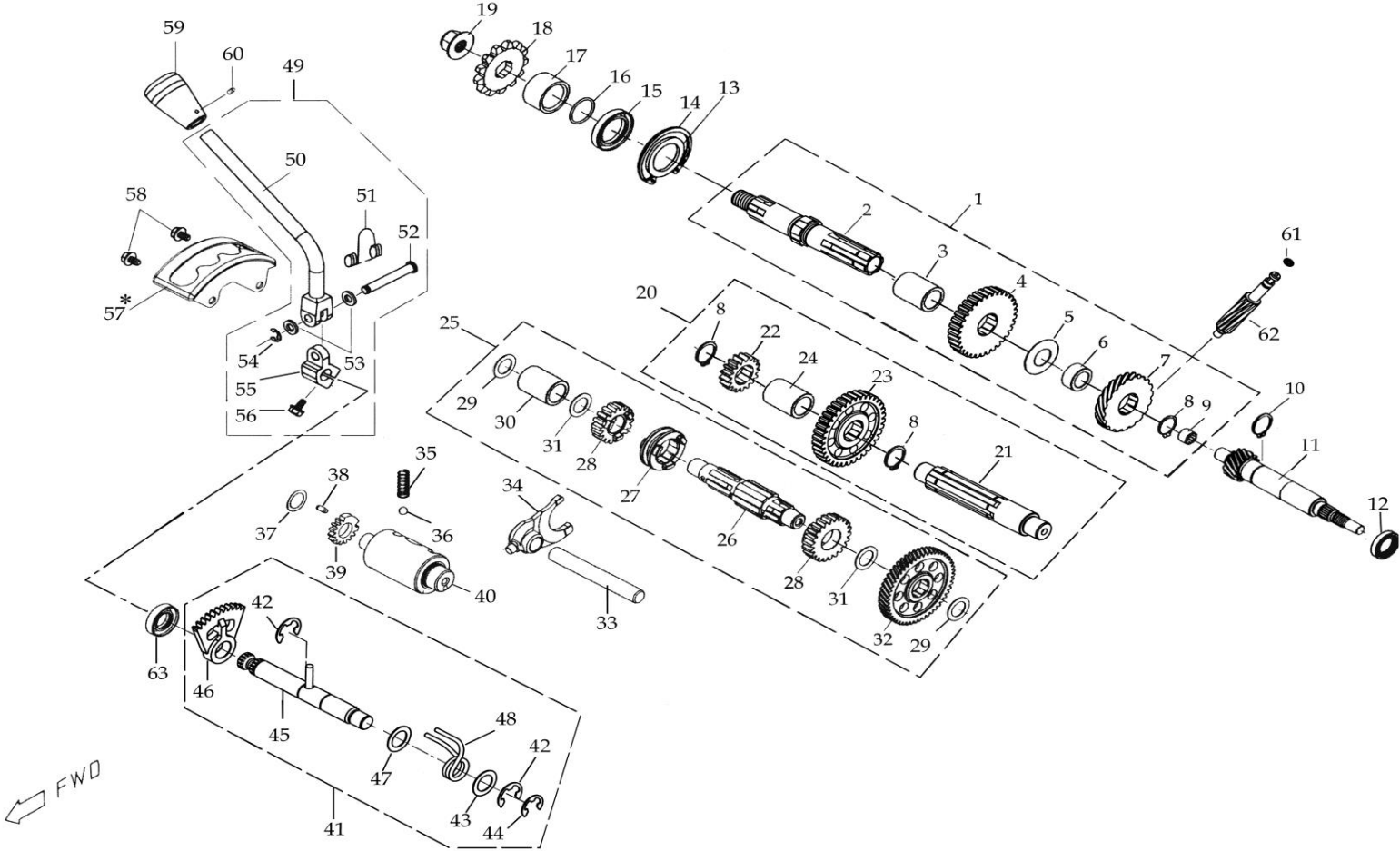


-151B

Transmission(H/R. GEAR + SPEEDOMETER)

Model	Item	Part no	Description	Specification	Quantity
	26	E020173-00	COUNTER SHAFT		1
	27	E060011B00	CLUTCH , R.H		1
	28	E060010D00	GEAR, COUNTER R.H	M1.75X22T	2
	29	A080046-00	WASHER , PLATE	Ø23XØ15.2X1	2
	30	A090006-00	SPACER	Ø28XØ20.2X31.7	1
	31	A080057-00	WASHER , PLATE	Ø27XØ20.2X0.5	2
	32	E060089-00	GEAR , COUNTER P2	M1.5X50T	1
	33	E060006-00	FORK SHAFT		1
	34	E010031-00	FORK		1
	35	A110001-41	SPRING,COMPRESSION	Ø8X25L P0.9	1
	36	A150001-00	BALL,BEARING	Ø9.525	1
	37	A080045-00	SPACER	Ø14.2XØ19.8X0.5	1
	38	E060024-00	DOWEL PIN	Ø4X6L	1
	39	E060014-00	GEAR , CAMSHAFT	M1.5X16T	1
	40	E060149-00	CAM SHAFT	H,N,R	1
	41	E060131A00	GEARSHIFT ASSY'		1
	42	A100020-00	RETAINING RINGS E TYPE	Ø12	2
	43	A080081-00	WASHER , PLATE	Ø14XØ28X1.0t	1
	44	A100002-43	RETAINING RINGS E TYPE	Ø10	1
	45	E060128-00	SHAFT, GEARSHIFT		1
	46	E060127-00	GEAR,GEARSHIFT		1
	47	A080005-41	WASHER , PLATE	Ø14.2XØ22X1.0	1
	48	A110027-42	SPRING ,GEARSHIFT		1
	49	E060053-00	GEAR SHIFT ASSY'		1
	50	E060043-00	LEVER , GEAR SHIFT		1

Transmission(H/R. GEAR + SPEEDOMETER)

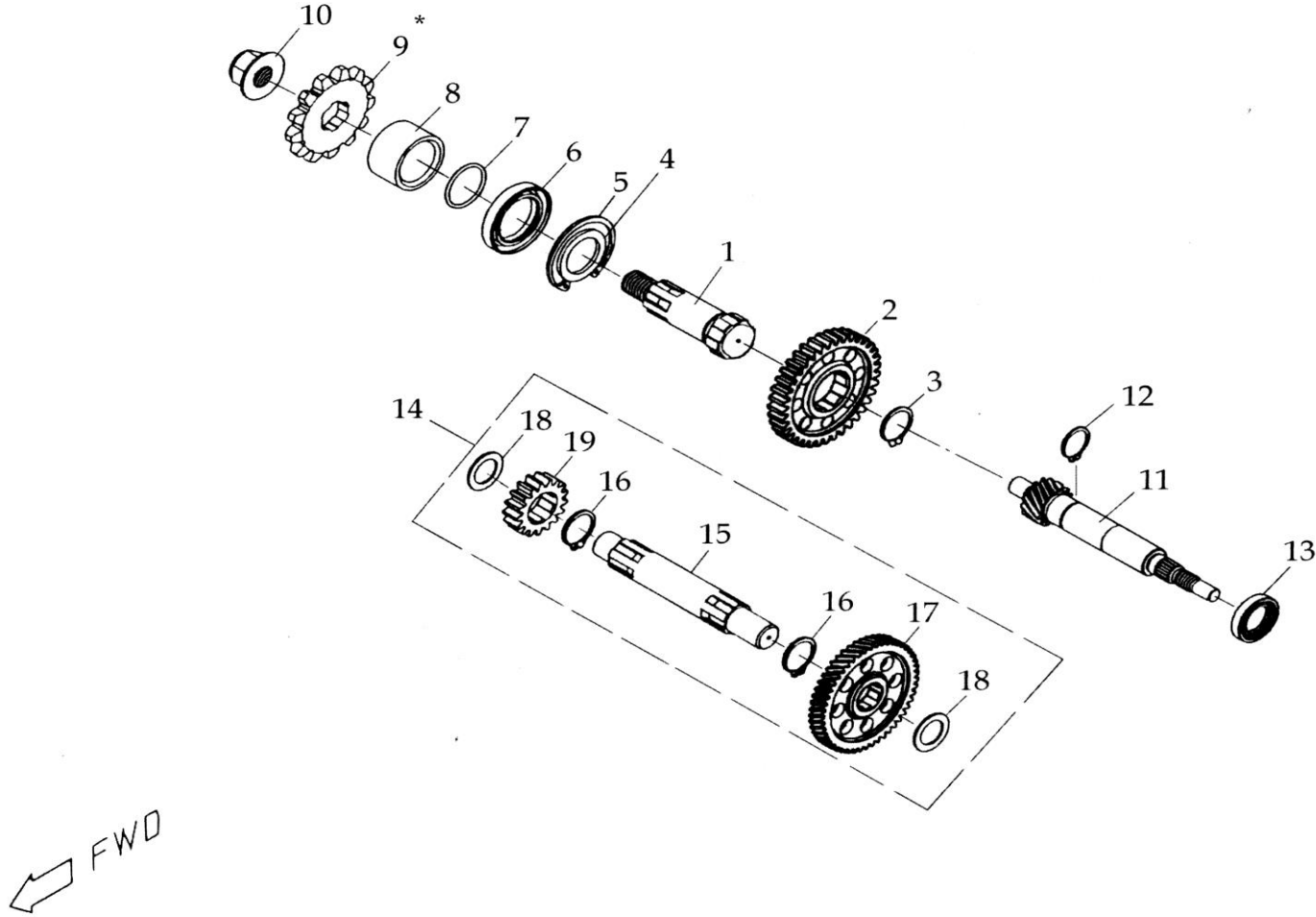


DZ001-151B

Transmission(H/R. GEAR + SPEEDOMETER)

Model	Item	Part no	Description	Specification	Quantity
	51	A110013-41	SPRING , GEAR SHIFT		1
	52	E060045-00	SHAFT , GEAR SHIFT		1
	53	A080025-41	WASHER , PLATE	Ø8.2XØ15X2.0	2
	54	A100012-43	RETAINING RINGS E TYPE	Ø7	1
	55	E060042-00	CONNECTER , GEAR SHIFT		1
	56	A050051-41	BOLT	M6X25L P1.0	1
	57	E060150A00	INDICATOR , GEAR SHIFT	D,N,R	1
	58	A050091-41	MACHINE SCREW	M6X12L P1.0	2
	59	E060028-00	CONICAL KNOBS		1
	60	A050072-41	SCREW , HEXAGON SOCKET	M4X5L P0.7	1
	61	A040011-00	O-RING	Ø6X1.9	1
	62	E060036-00	SPEEDOMETER SHAFT	10T	1
	63	A030015-00	OIL SEAL	TC Ø14XØ28X7	1

Transmission(L. GEAR)

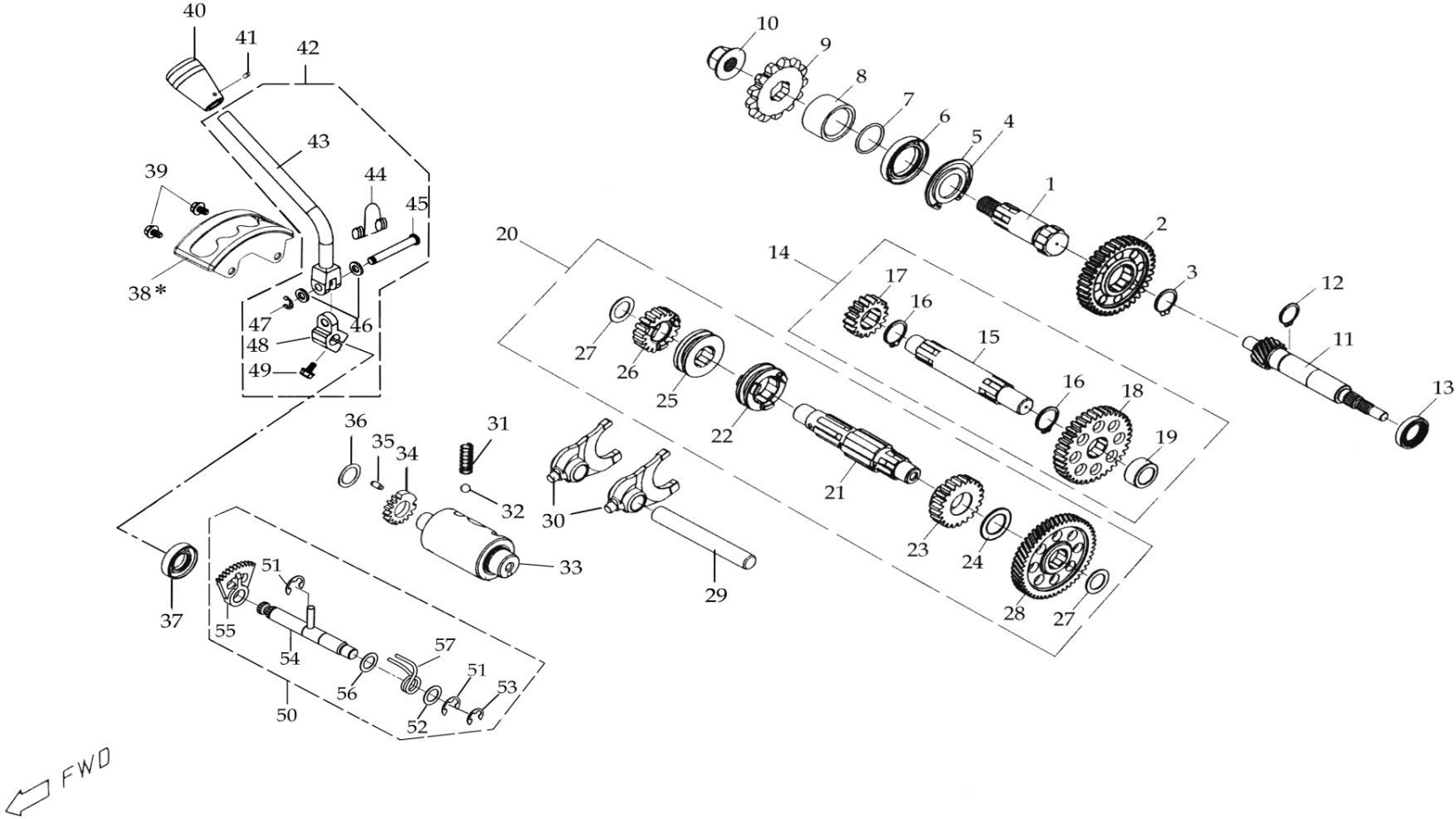


DZ001-101A

Transmission(L. GEAR)

Model	Item	Part no	Description	Specification	Quantity
	01	E060060A00	SHAFT, OUTPUT		1
	02	E060007B00	GEAR , OUTPUT L	M1.75X37T	1
	03	A100013-43	CIRCLIP , EXTERNAL	Ø25	1
	04	A080047-00	SPACER	Ø20.2XØ28X2.0	1
	05	A100005-00	CIRCLIP , INTERNAL	Ø42	1
	06	A030014-00	OIL SEAL	TCØ28XØ42X7	1
	07	A040013-00	O-RING	Ø19.5XØ1.5	1
	08	E060020-00	COLLAR	Ø27XØ20X16	1
	09	E060029-00	SPROCKET , DRIVE	428X13T	1
	10	A060006-41	U NUT	M14X1.5	1
	11	E060031B00	GEAR , PRIMARY DRIVE	M1.5X14T	1
	12	A100009-43	CIRCLIP	Ø17	1
	13	A030009-00	OIL SEAL	TCØ17XØ28X5.5	1
	14	E060063-00	ASS'Y COUNT SHAFT		1
	15	E060061-00	SHAFT, COUNTER		1
	16	A100010-00	CIRCLIP , EXTERNAL	Ø20	2
	17	E060009D00	GEAR , COUNTER P2	M1.5X50T	1
	18	A080046-00	WASHER , PLATE	Ø15.2XØ23X1.0	2
	19	E060059A00	GEAR , COUNTER L	M1.75X18T	1

Transmission(L/R. GEAR)

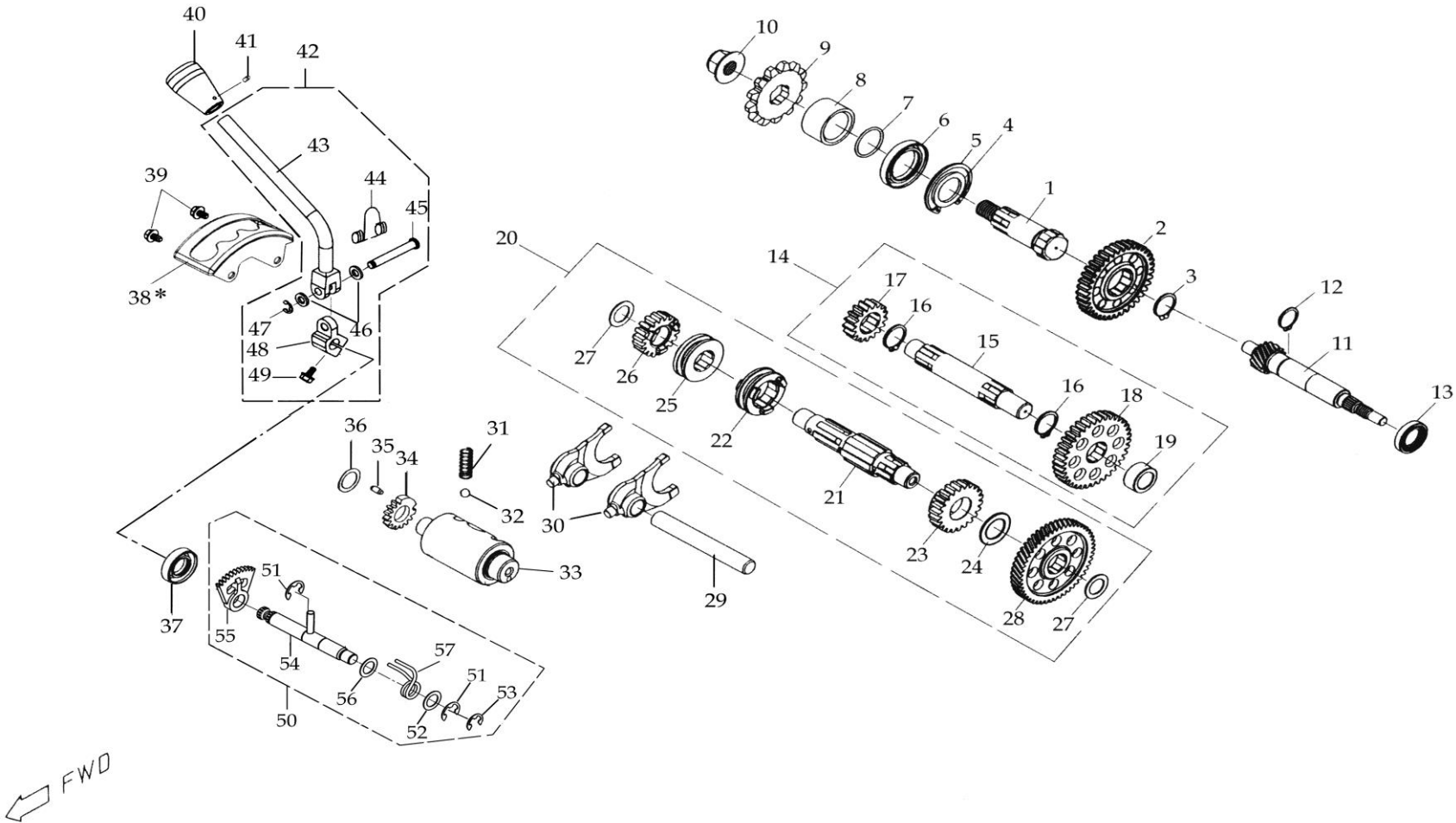


)1-171B

Transmission(L/R. GEAR)

Model	Item	Part no	Description	Specification	Quantity
	01	E060060A00	SHAFT, OUTPUT		1
	02	E060007B00	GEAR , OUTPUT L	37T	1
	03	A100013-43	CIRCLIP , EXTERNAL	Ø25	1
	04	A080047-00	SPACER	Ø20.2XØ28X2.0	1
	05	A100005-00	CIRCLIP , INTERNAL	Ø42	1
	06	A030014-00	OIL SEAL	TCØ28XØ42X7	1
	07	A040013-00	O-RING	Ø19.5XØ1.5	1
	08	E060020-00	COLLAR	Ø27XØ20X16	1
	09	E060066-00	SPROCKET , DRIVE	428X16T	1
	10	A060006-41	U NUT	M14X1.5	1
	11	E060090B00	GEAR , PRIMARY DRIVE R.H	M1.5X14T	1
	12	A100009-43	CIRCLIP	Ø17	1
	13	A030009-00	OIL SEAL	TCØ17XØ28X5.5	1
	14	E060056-00	ASS'Y REVERSE SHAFT		1
	15	E060018-00	SHAFT, REVERSE		1
	16	A100010-00	CIRCLIP , EXTERNAL	Ø20	2
	17	E060004A00	GEAR 2ND , REVERSE R3	M1.75X17T	1
	18	E060037B00	GEAR 2ND , REVERSE R2	M1.75X37T	1
	19	E060033-00	COLLAR	Ø15.2XØ23X11	1
	20	E060082-00	ASS'Y COUNT SHAFT		1
	21	E060083A00	SHAFT, COUNTER		1
	22	E060011B00	CLUTCH , R.H		1
	23	E060010D00	GEAR, COUNTER R.H	M1.75X22T	1
	24	A080057-00	WASHER , PLATE	Ø20.2XØ27X0.5	1
	25	E060012B00	CLUTCH , REVERSE		1

Transmission(L/R. GEAR)

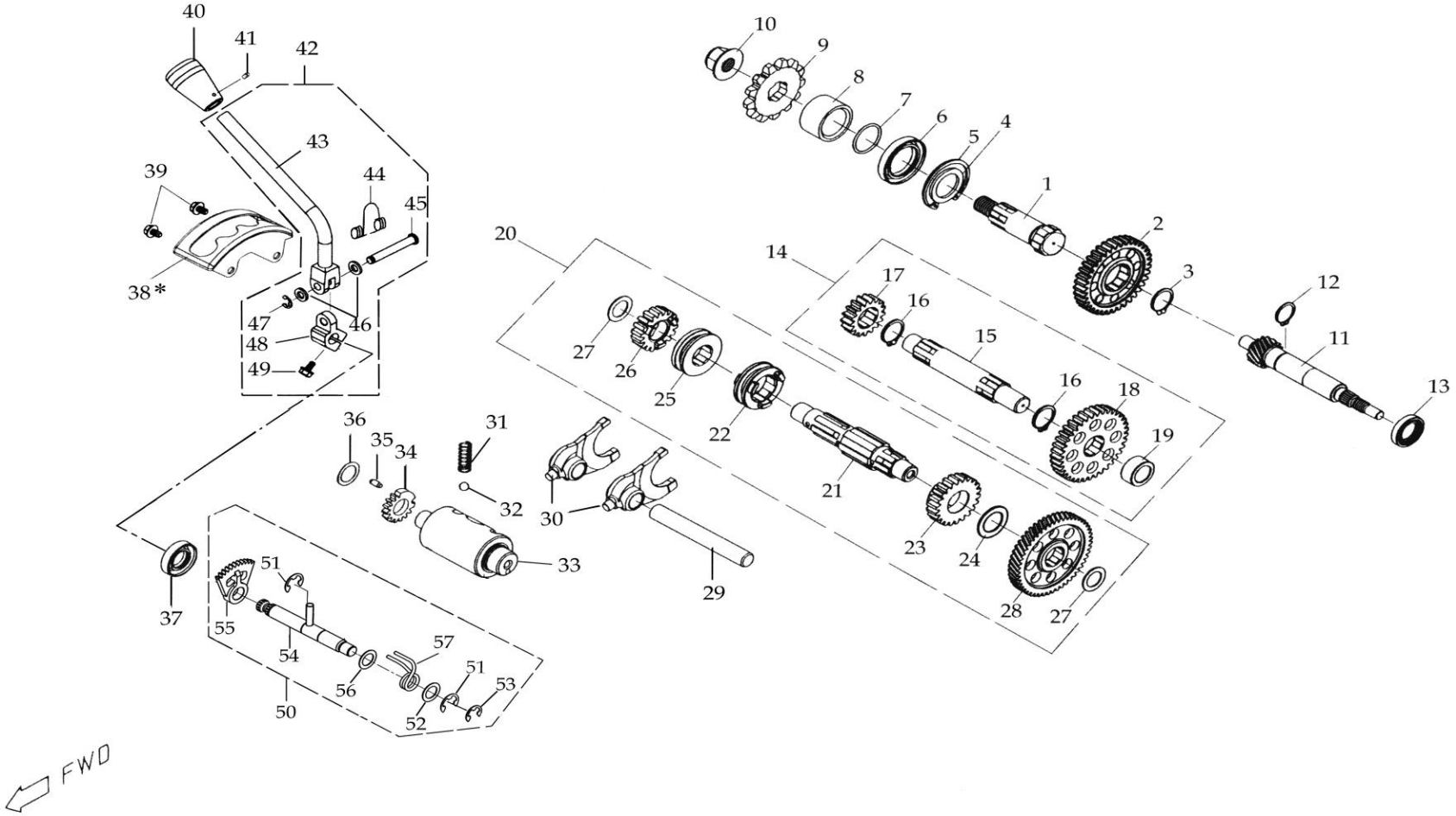


LESS. 171B

Transmission(L/R. GEAR)

Model	Item	Part no	Description	Specification	Quantity
	26	E060013B00	GEAR , COUNTER L	18T	1
	27	A080046-00	WASHER , PLATE	Ø15.2XØ23X1.0	2
	28	E060089-00	GEAR , COUNTER R.H	M1.5X50T	1
	29	E060006-00	SHAFT , fork		1
	30	E010031-00	FORK		2
	31	A110001-41	SPRING , COMPRESSION	Ø8X25LX0.9	1
	32	A150001-00	BALL , BEARING	Ø9.525	1
	33	E060151-00	CAMSHAFT	L,N,R	1
	34	E060014-00	GEAR , CAMSHAFT	M1.5X16T	1
	35	E060024-00	PIN , DOWEL		1
	36	A080045-00	SPACER	Ø14.2XØ19.8X0.5	1
	37	A030015-00	OIL SEAL	TCØ14XØ28X7	1
	38	E060150A00	INDICATOR , GEAR SHIFT	D,N,R	1
	39	A050091-41	MACHINE SCREW	M6X12L P1.0	2
	40	E060028-00	CONICAL KNOBS		1
	41	A050072-41	SCREW , HEXAGON SOCKET	M4X5L P0.7	1
	42	E060053-00	GEAR SHIFT ASSY'		1
	43	E060043-00	LEVER , GEAR SHIFT		1
	44	A110013-41	SPRING , GEAR SHIFT		1
	45	E060045-00	SHAFT , GEAR SHIFT		1
	46	A080025-41	WASHER , PLATE	Ø8.2XØ15X2.0	2
	47	A100012-43	RETAINING RINGS E TYPE	Ø7	1
	48	E060042-00	CONNECTER , GEAR SHIFT		1
	49	A050051-41	BOLT	M6X25L P1.0	1
	50	E060131A00	GEARSHIFT ASSY'		1

Transmission(L/R. GEAR)

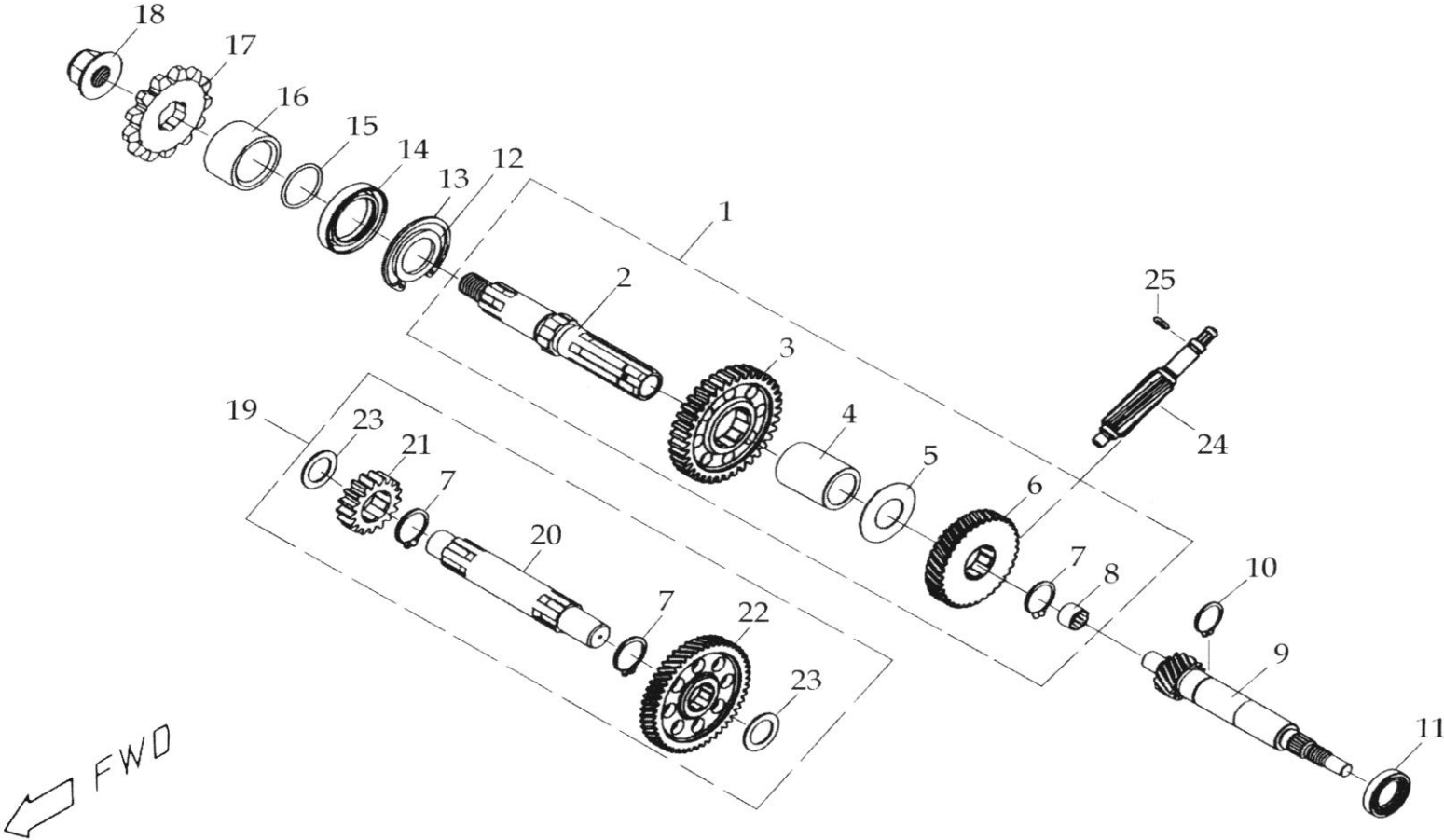


DZ001-171B

Transmission(L/R. GEAR)

Model	Item	Part no	Description	Specification	Quantity
	51	A100020-00	RETAINING RINGS E TYPE	Ø12	2
	52	A080081-00	WASHER , PLATE	Ø14XØ28X1.0t	1
	53	A100002-43	RETAINING RINGS E TYPE	Ø10	1
	54	E060128-00	SHAFT, GEARSHIFT		1
	55	E060127-00	GEAR,GEARSHIFT		1
	56	A080005-41	WASHER , PLATE	Ø14.2XØ22X1.0	1
	57	A110027-42	SPRING ,GEARSHIFT		1

Transmission(L. GEAR + SPEEDOMETER)

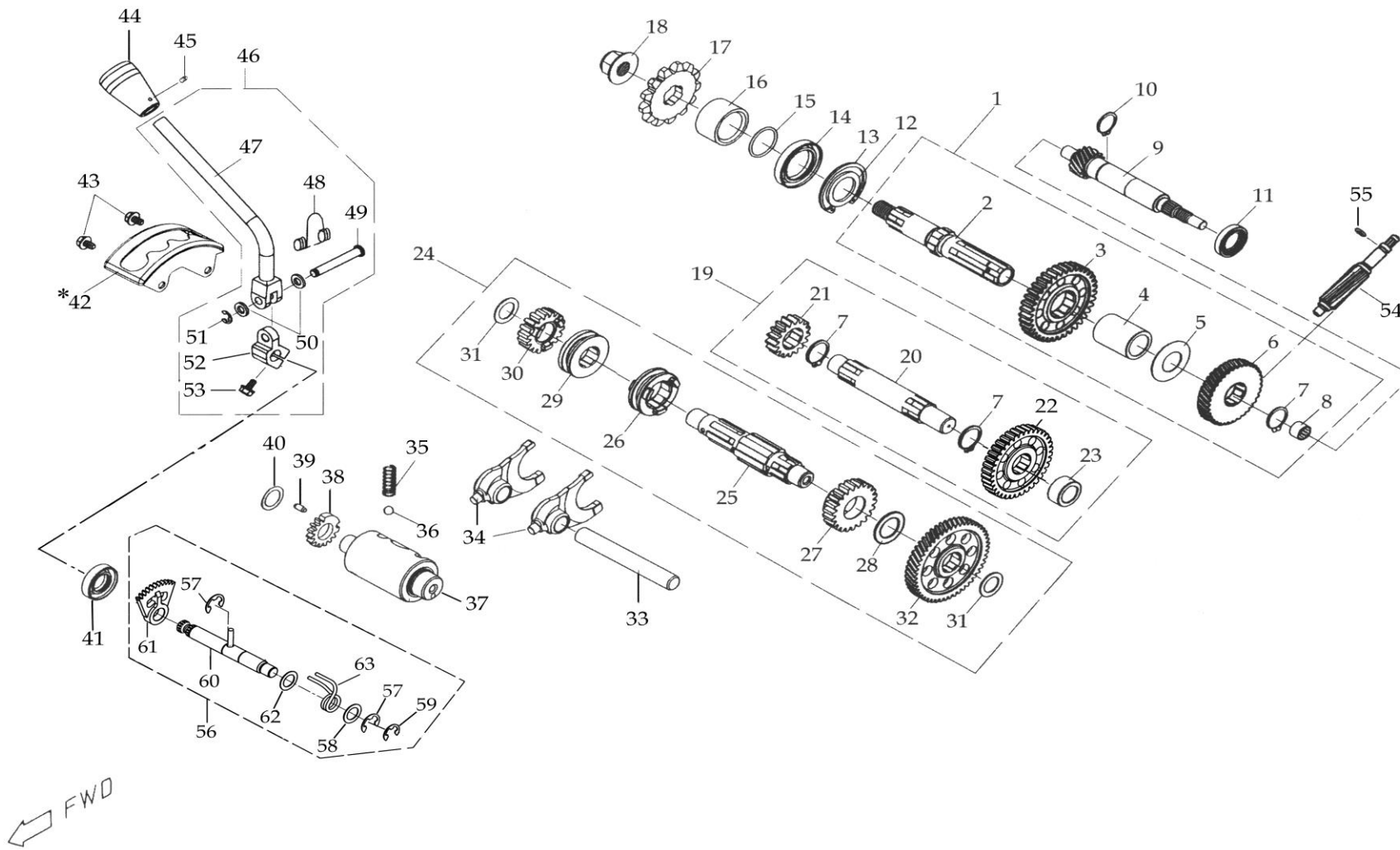


31A

Transmission(L. GEAR + SPEEDOMETER)

Model	Item	Part no	Description	Specification	Quantity
	01	E060071-00	ASS'Y MAIN SHAFT		1
	02	E060017A00	SHAFT, OUTPUT		1
	03	E060007B00	GEAR , OUTPUT L	37T	1
	04	E060052-00	COLLAR		1
	05	A110011-00	SPRING , DISK	Ø40XØ20.4X1t	1
	06	E060034-00	DRIVE , SPEEDOMETER	20T	1
	07	A100010-00	CIRCLIP , EXTERNAL	Ø20	3
	08	A010023-00	BEARING , NEEDLE ROLLER	TLA1010Z	1
	09	E060031B00	GEAR , PRIMARY DRIVE	M1.5X14T	1
	10	A100009-43	CIRCLIP	Ø17	1
	11	A030009-00	OIL SEAL	TCØ17XØ28X5.5	1
	12	A080047-00	SPACER	Ø20.2XØ28X2	1
	13	A100005-00	CIRCLIP , INTERNAL	Ø42	1
	14	A030014-00	OIL SEAL	TCØ28XØ42X7	1
	15	A040013-00	O-RING	Ø19.5XØ1.5	1
	16	E060020-00	COLLAR	Ø27XØ20X16	1
	17	E060066-00	SPROCKET , DRIVE	428X16T	1
	18	A060006-41	U NUT	M14X1.5	1
	19	E060063-00	ASS'Y COUNT SHAFT		1
	20	E060061-00	SHAFT , COUNTER		1
	21	E060059A00	GEAR , COUNTER L	18T	1
	22	E060009D00	GEAR , COUNTER P2	M1.5*50T	1
	23	A080046-00	WASHER , PLATE	Ø15.2XØ23X1	2
	24	A040011-00	O-RING	Ø6X1.9	1
	25	E060036-00	SHAFT , SPEEDOMETER	10T	1

Transmission(L/R. GEAR + SPEEDOMETER)

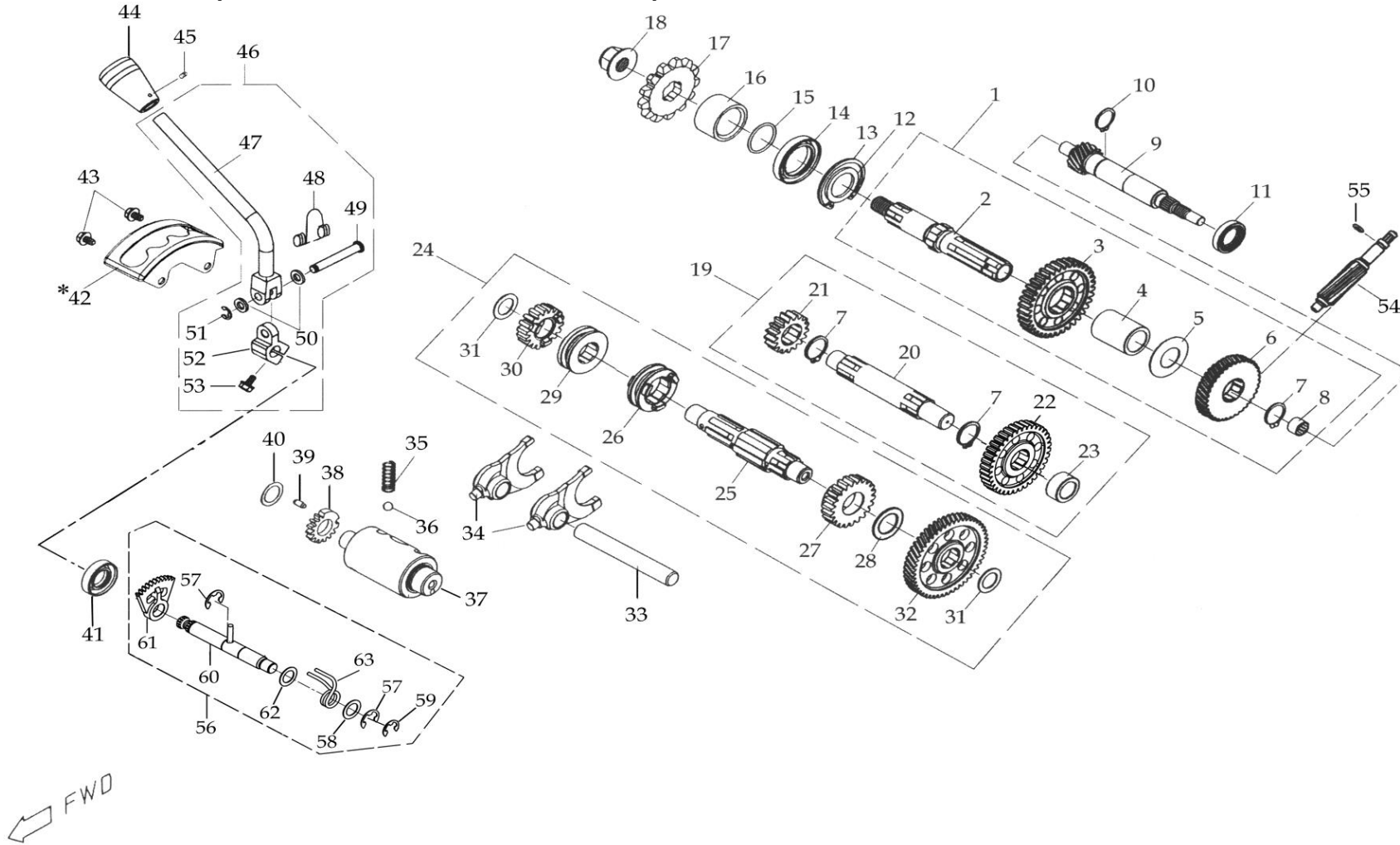


IB

Transmission(L/R. GEAR + SPEEDOMETER)

Model	Item	Part no	Description	Specification	Quantity
	01	E060071-00	ASS'Y MAIN SHAFT		1
	02	E060017A00	SHAFT, OUTPUT		1
	03	E060007B00	GEAR , OUTPUTL2	37T	1
	04	E060052-00	COLLAR		1
	05	A110011-00	SPRING , DISK	Ø40XØ20.4X1t	1
	06	E060034-00	GEAR, SPEEDOMETER DRIVE	20T	1
	07	A100010-00	CIRCLIP , EXTERNAL	Ø20	3
	08	A010023-00	BEARING , NEEDLE ROLLER	TLA1010Z	1
	09	E060090B00	GEAR , PRIMARY DRIVE	M1.5X14T	1
	10	A100009-43	CIRCLIP, EXTERNAL	Ø17	1
	11	A030009-00	OIL SEAL	TC17X28X5.5	1
	12	A080047-00	SPACER	Ø20.2XØ28X2	1
	13	A100005-00	CIRCLIP , INTERNAL	Ø42	1
	14	A030014-00	OIL SEAL	TC27XØ42X7	1
	15	A040013-00	O-RING	Ø19XØ1.5	1
	16	E060020-00	COLLAR		1
	17	E060066-00	SPROCKET, DRIVE	428X16T	1
	18	A060006-41	U NUT	M14 P1.5	1
	19	E060056-00	REVERSE SHAFT ASSY'		1
	20	E060018-00	REVERS SHAFT		1
	21	E060004A00	GEAR 2ND , REVERSE R3	M1.75X17T	1
	22	E060037B00	GEAR 2ND , REVERSE R2	M1.75X37T	1
	23	E060033-00	COLLAR	Ø15.2XØ23X10.7	1
	24	E060082-00	COUNT SHAFT ASSY'		1
	25	E060083A00	COUNTER SHAFT		1

Transmission(L/R. GEAR + SPEEDOMETER)

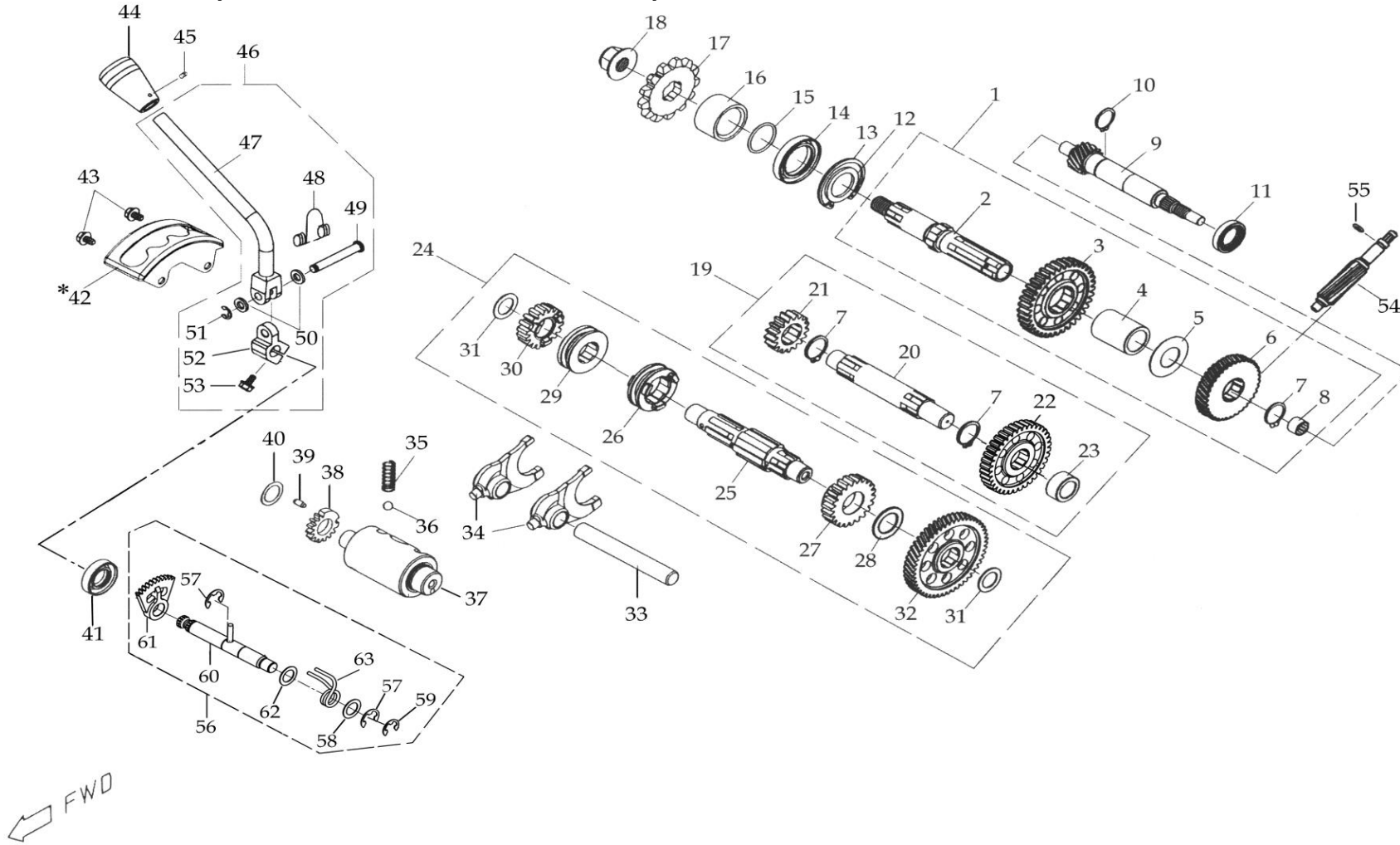


-----1B

Transmission(L/R. GEAR + SPEEDOMETER)

Model	Item	Part no	Description	Specification	Quantity
	26	E060011B00	CLUTCH , R.H		1
	27	E060010D00	GEAR, COUNTER R.H	M1.75X22T	1
	28	A080057-00	WASHER , PLATE	Ø20.2XØ27X0.5	1
	29	E060012B00	CLUTCH,REVERES		1
	30	E060013B00	GEAR , COUNTER L1	18T	1
	31	A080046-00	WASHER , PLATE	Ø15.2XØ23X1.0	2
	32	E060089-00	GEAR , COUNTER P2	M1.5X50T	1
	33	E060006-00	FORK SHAFT		1
	34	E010031-00	FORK		2
	35	A110001-41	SPRING,COMPRESSION	Ø8X25L P0.9	1
	36	A150001-00	BALL,BEARING	Ø9.525	1
	37	E060151-00	CAM SHAFT	H,N,R	1
	38	E060014-00	GEAR , CAMSHAFT	M1.5X16T	1
	39	E060024-00	DOWEL PIN	Ø4X6L	1
	40	A080045-00	SPACER	Ø14.2XØ19.8X0.5	1
	41	A030015-00	OIL SEAL	TC Ø14XØ28X7	1
	42	E060150A00	INDICATOR , GEAR SHIFT	D,N,R	1
	43	A050091-41	MACHINE SCREW	M6X12L P1.0	2
	44	E060028-00	CONICAL KNOBS		1
	45	A050072-41	SCREW , HEXAGON SOCKET	M4X5L P0.7	1
	46	E060053-00	GEAR SHIFT ASSY'		1
	47	E060043-00	LEVER , GEAR SHIFT		1
	48	A110013-41	SPRING , GEAR SHIFT		1
	49	E060045-00	SHAFT , GEAR SHIFT		1
	50	A080025-41	WASHER , PLATE	Ø8.2XØ15X2.0	2

Transmission(L/R. GEAR + SPEEDOMETER)

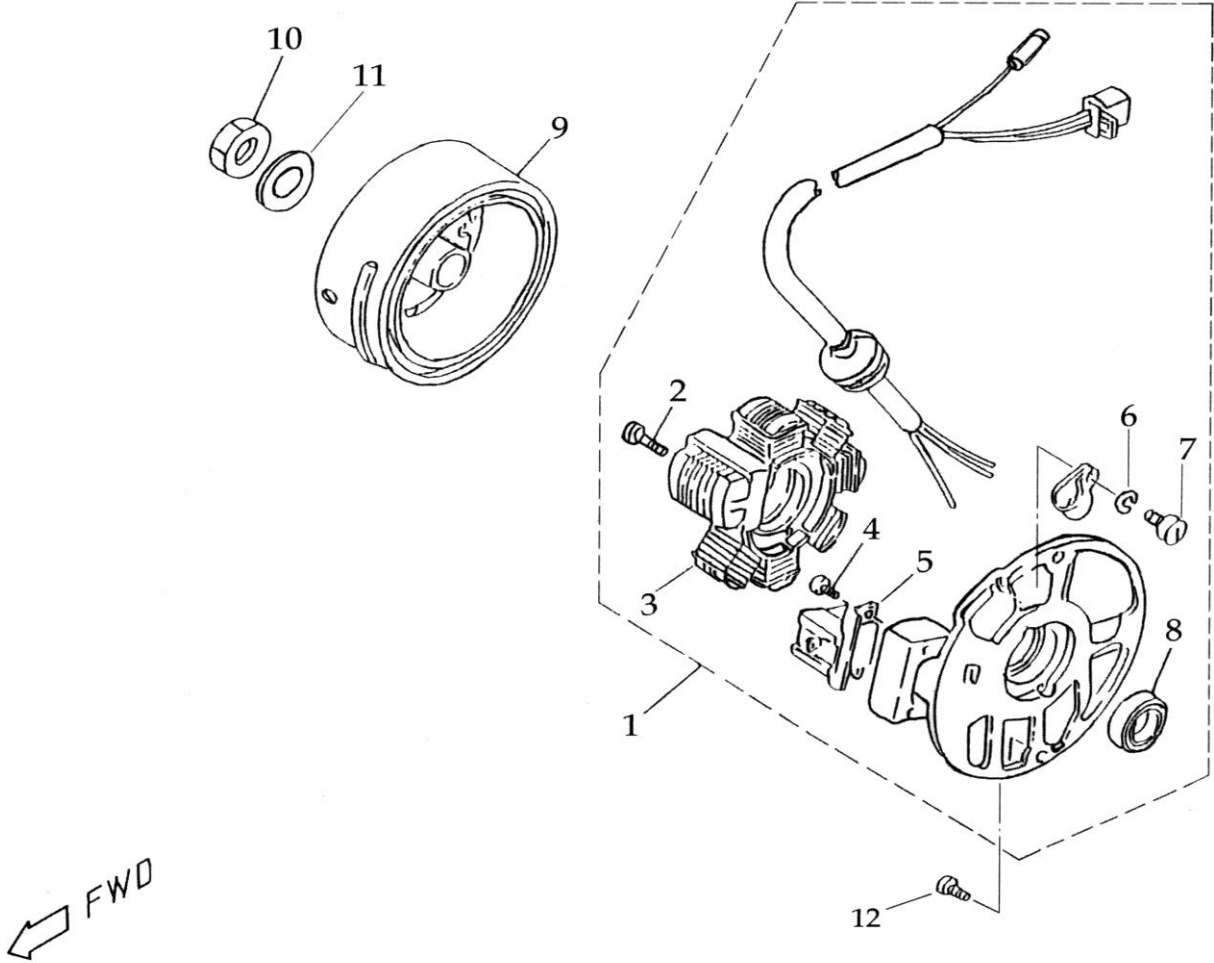


2000.101B

Transmission(L/R. GEAR + SPEEDOMETER)

Model	Item	Part no	Description	Specification	Quantity
	51	A100012-43	RETAINING RINGS E TYPE	Ø7	1
	52	E060042-00	CONNECTER , GEAR SHIFT		1
	53	A050051-41	BOLT	M6X25L P1.0	1
	54	E060036-00	SPEEDOMETER SHAFT	10T	1
	55	A040011-00	O-RING	Ø6X1.9	1
	56	E060131A00	GEARSHIFT ASSY'		1
	57	A100020-00	RETAINING RINGS E TYPE	Ø12	2
	58	A080081-00	WASHER , PLATE	Ø14XØ28X1.0t	1

GENERATOR

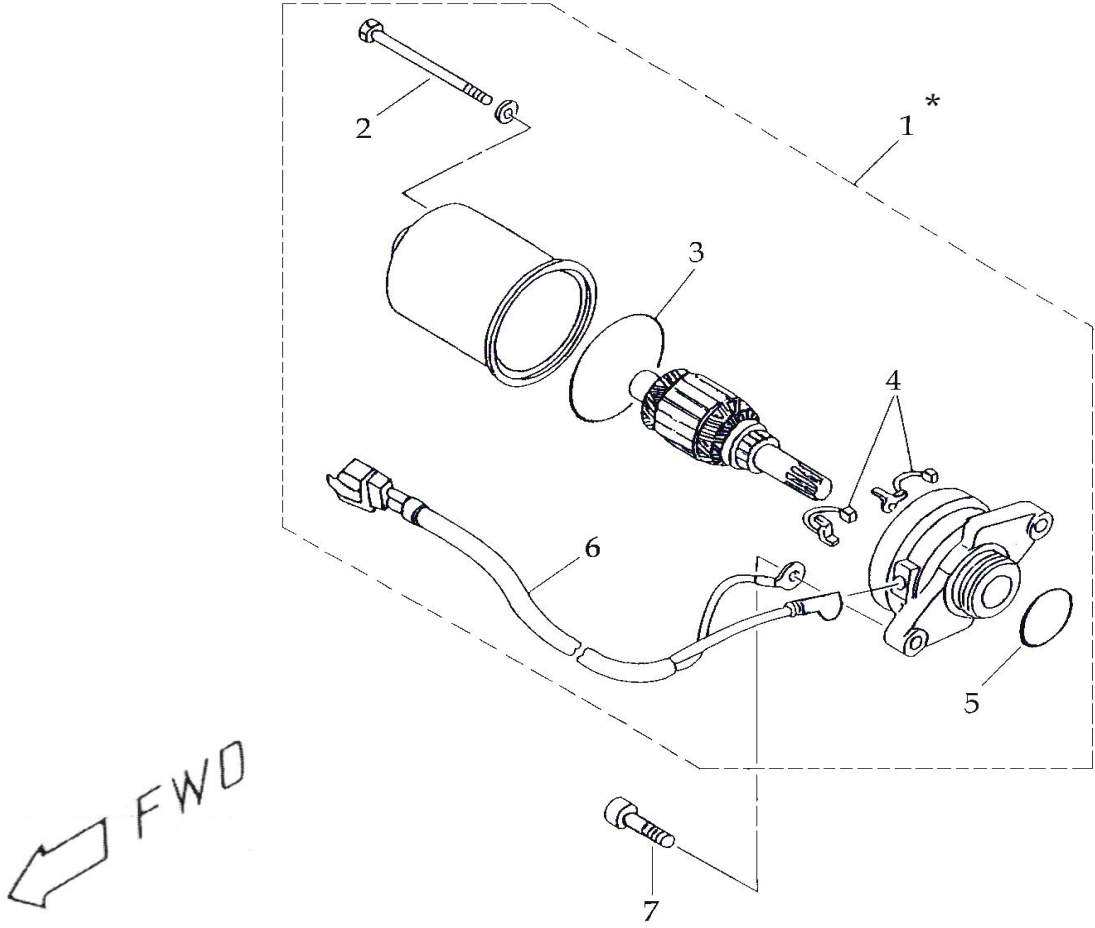


D2001-201A

GENERATOR

Model	Item	Part no	Description	Specification	Quantity
	01	E070115-00	BASE ASSEMBLY	4DY+3XG	1
	02		SCREW , PAN HEAD		2
	03		STATOR COMP		1
	04		SCREW , PAN HEAD		2
	05		COIL , pulsar		1
	06		WASHER , SPRING		1
	07		SCREW , PAN HEAD		1
	08		OIL SEAL		1
	09	E070118-00	ROTOR ASSEMBLY		1
	10	A060010-41	HEX FLANGE NUT	M10 P1.25	1
	11	A080033-41	WASHER , PLATE	Ø10XØ22X1.6	1
	12	A050032-41	SCREW , PAN HEAD	M6X1.0X16L	2

STARTING MOTOR



D2001-211A

STARTING MOTOR

Model	Item	Part no	Description	Specification	Quantity
100CC.~90cc.	01	E070119-00	STARTING MOTOR ASSEMBLY		1
50cc,	*	E070144-00	STARTING MOTOR ASSEMBLY		1
	02		SCREW , PAN HEAD		2
	03		O-RING		1
	04		BRUSH SET		1
	05		O-RING		1
	06		CORD COMPLETE		1
	07	A050053-41	HEX SOCKET BOLT	M6X1.0X20L	2