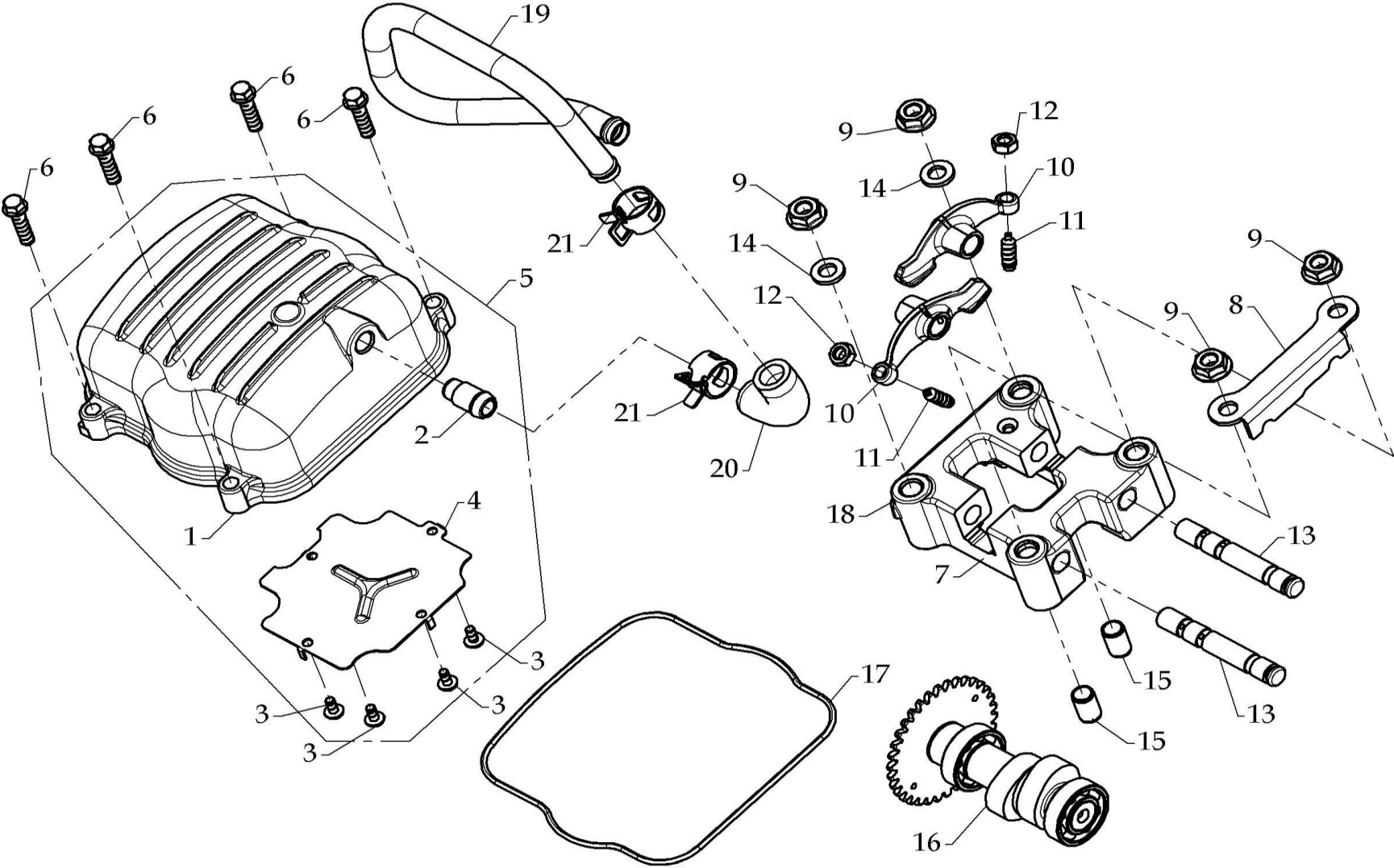


CYLINDER HEAD COVER & CAMSHAFT

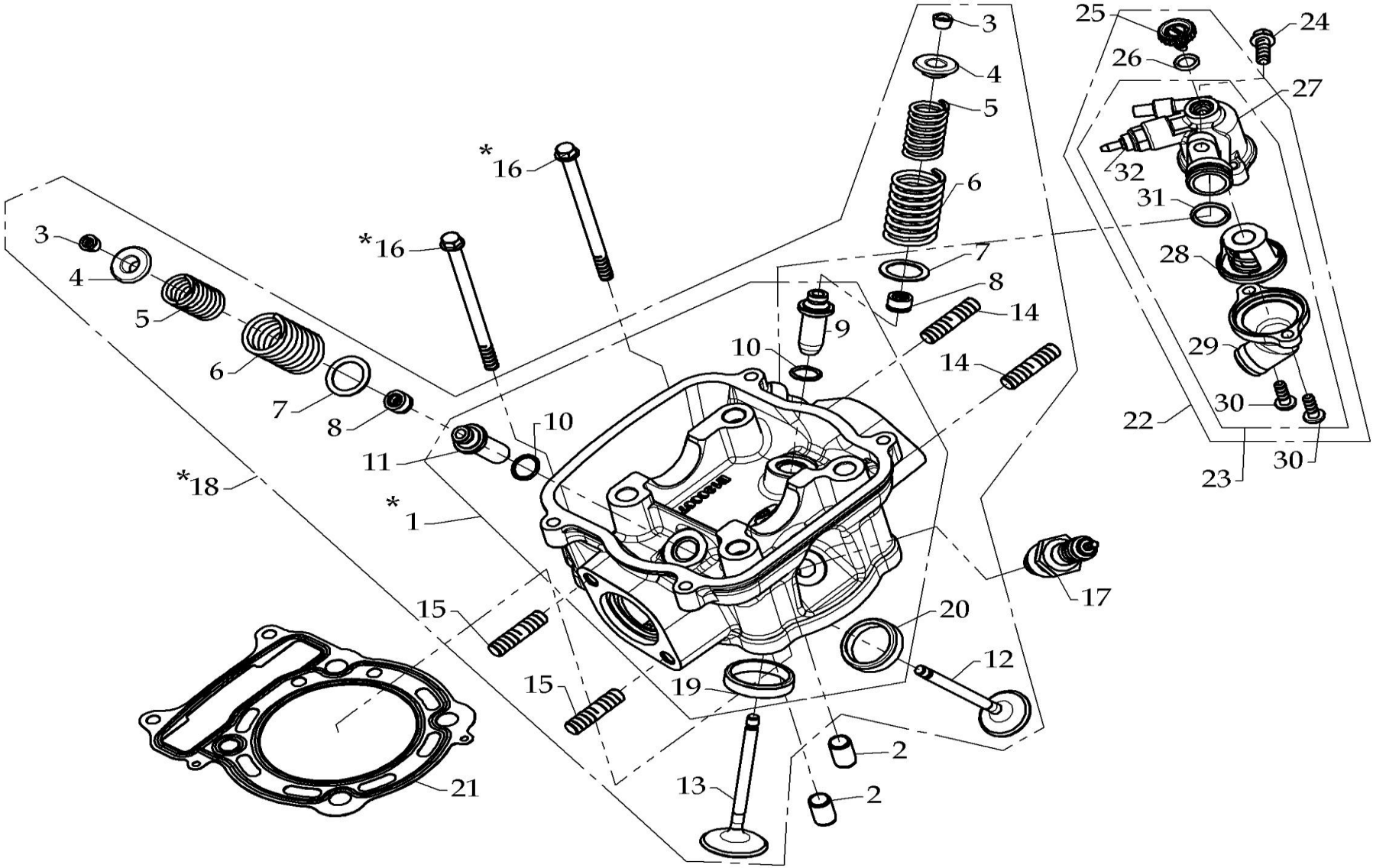


CYLINDER HEAD COVER & CAMSHAFT

Model	Item	Part no	Description	Specification	Quantity
	01		CYLINDER HEAD COVER		1
	02		BREATHER TUBE CONNECT		1
	03		SCREW, PANHEAD	M4X0.5X8L	4
	04		PLATE		1
	05	E130120A00	CYLINDER HEAD COVER ASSY'		1
	06	A050121-41	BOLT, FLANGE	M6X1.0X25L	4
	07	E130011-01	CAMSHAFT HOLDER		1
	08	E130020-00	HOLDER, ROCKER ARM SHAFT		1
	09	A060013-41	NUT, FLANGE	M8X1.25	4
	10	E130019-00	VALVE ROCKER ARM		2
	11	E020061-00	SCREW, TAPPET ADJUSTING		2
	12	E020062-00	NUT, TAPPER ADJUSTING	M6X0.75	2
	13	E130021-00	SHAFT, ROCKER ARM		2
	14	A080025-41	WASHER	φ8.2Xφ15X2t	2
	15	A070019-00	DOWEL PIN	φ8.2Xφ10X16L	2
	16	E130010-00	CAMSHAFT COMP		1
	17	E130081-00	GASKET		1
	18	E020155-00	PLUG		1
	19	E130175-41	COOLING TUBE		1
	20	E130174-00	CONNECT TUBE		1
	21	A220020-41	TUBE CLIP	φ17Xφ12X1.0t	2

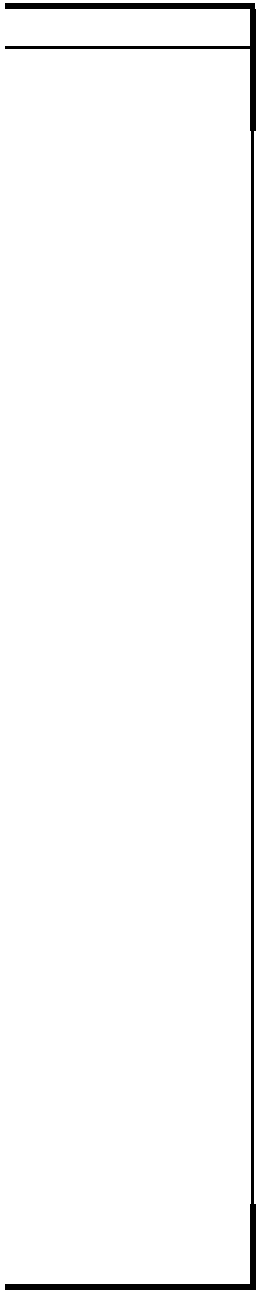


CYLINDER HEAD & VALVE

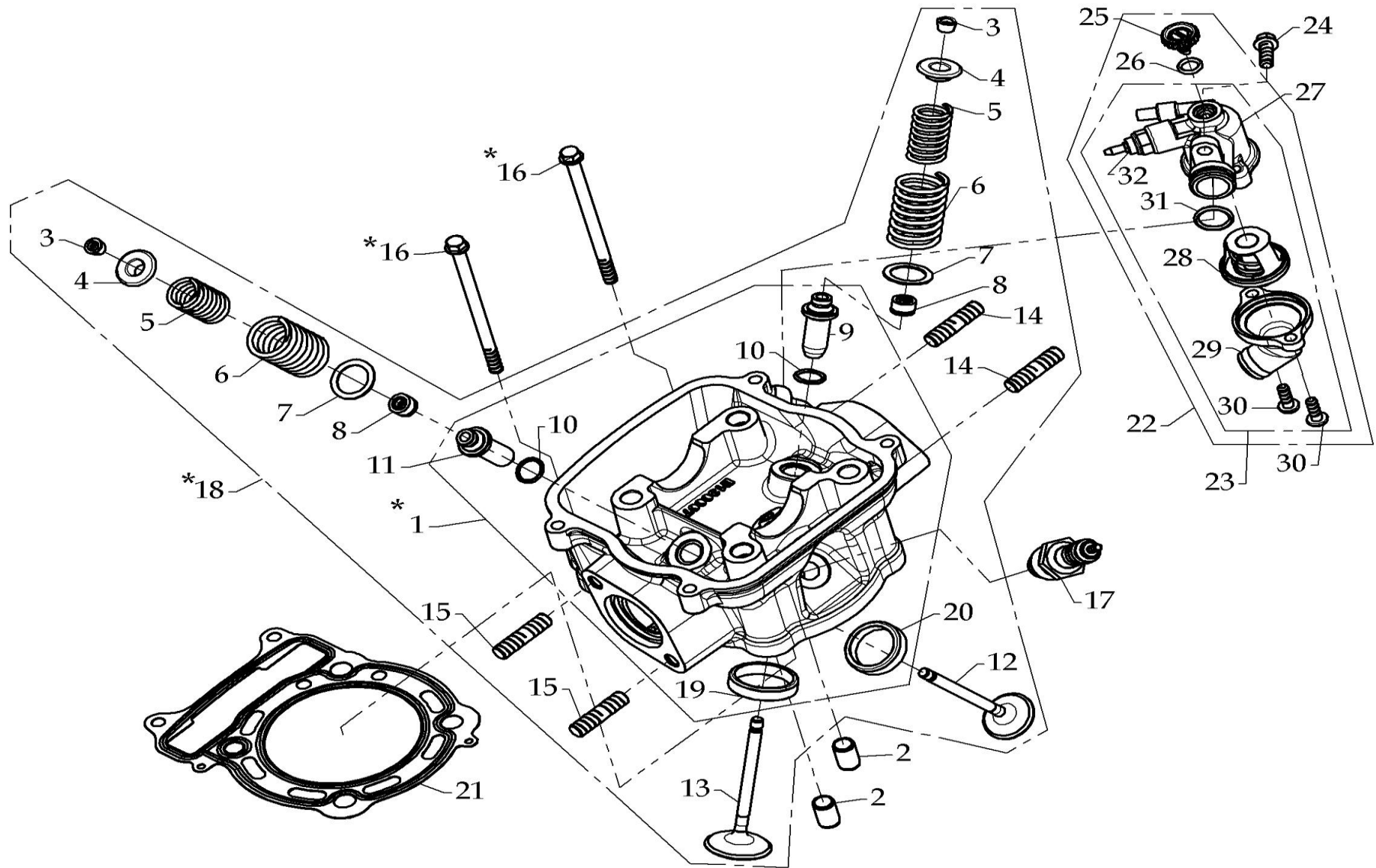


CYLINDER HEAD & VALVE

Model	Item	Part no	Description	Specification	Quantity
270	01		CYLINDER HEAD COMP	270C.C.	1
300	*		CYLINDER HEAD COMP	300C.C.	1
	02	A070019-00	DOWEL PIN	φ8.2Xφ10X16L	2
	03	E130083-00	VALVE KEEPER		4
	04	E130058-00	RETAINER, VALVE SPRING		2
	05	A110033-00	INNER VALVE SPRING		2
	06	A110031-00	OUTER VALVE SPRING		2
	07	E020059-00	SEAT, VALVE SPRING		2
	08	A030025-01	SEAL, VALVE STEM	φ5.5	2
	09		GUIDE, IN. VALVE		1
	10	A040025-01	O-RING	S12X1.5,VITON	2
	11		GUIDE, EX. VALVE		1
	12	E130015-00	EXHAUST VALVE		1
	13	E130014-00	INTAKE VALVE		1
	14	A140014-41	STUD BOLT	M6X1.0X35L	2
	15	A140005-41	STUD BOLT	M8X1.25X32L	2
270	16	A050127-41	BOLT, FLANGE	M6X1.0X100L	2
300	*	A050222-41	BOLT, FLANGE	M6X1.0X106L	2
	17	A160002-00	SPARK PLUG	NGK,DPR7EA-9	1
270	18	E130166-00	CYLINDER HEAD & VALVE ASSY.	270C.C.	1
300	*	E130184-00	CYLINDER HEAD & VALVE ASSY.	300C.C.	1
	19		SEAT,INTAKE VALVE		1
	20		SEAT,EXHAUST VALVE		1
	21	E130085A00	GASKET, CYLINDER HEAD		1
	22	E130186A00	COOLING CONTROL ASSY.		1
	23	E130097A00	CONTROL,COOLING		1
	24	A050130-41	BOLT, FLANGE	M6X1.0X16L	1
	25	A050227-00	BOLT,EXHAUST VALVE	M6X1.0	1

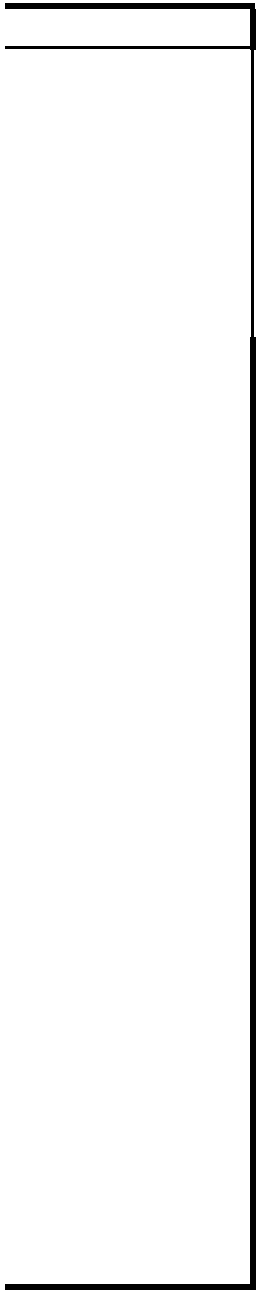


CYLINDER HEAD & VALVE

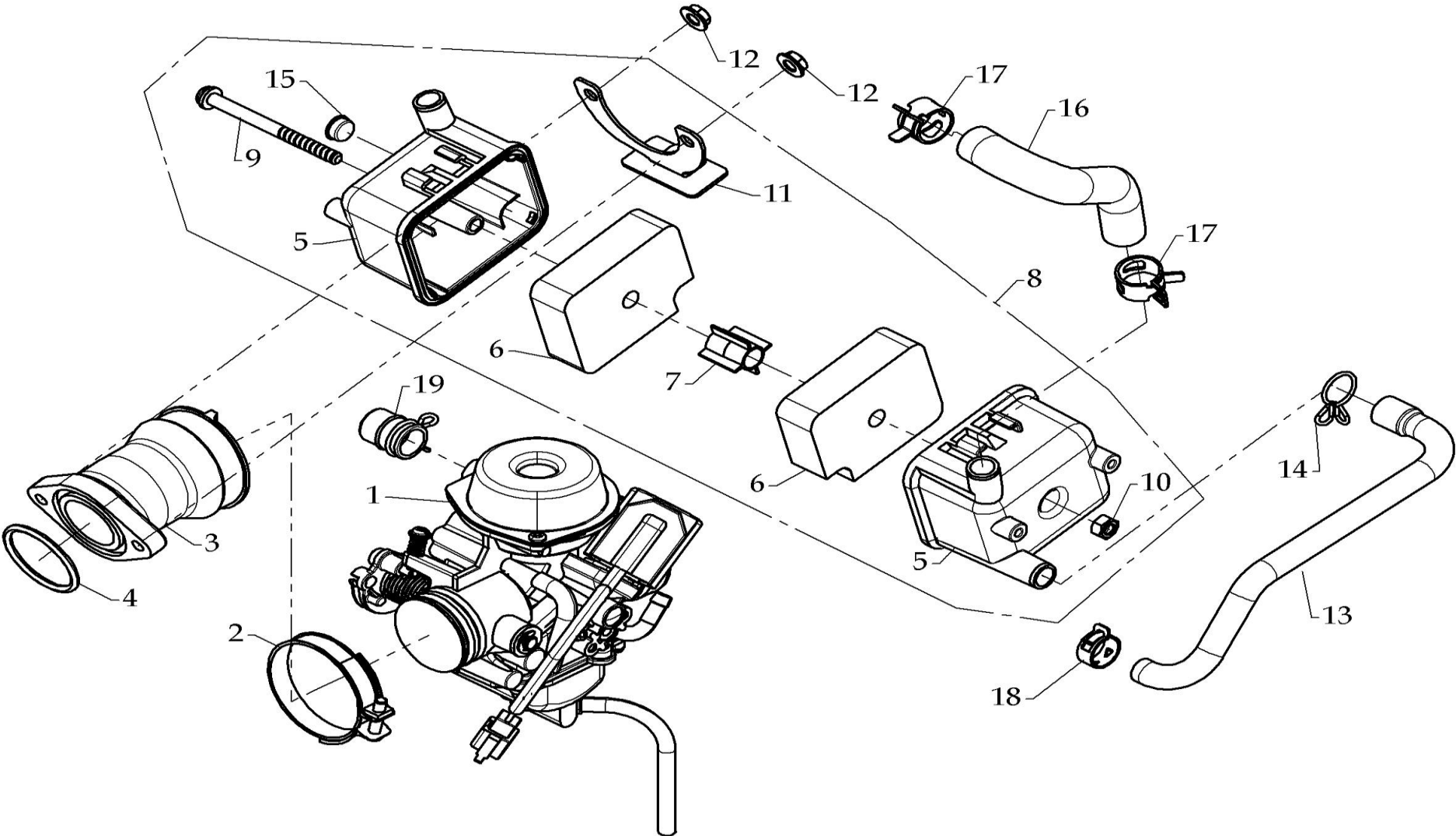


CYLINDER HEAD & VALVE

Model	Item	Part no	Description	Specification	Quantity
	26	A040039-00	O-RING	P8-7.8X1.9	1
	27	E130171A00	COOLING CONTROL COVER		1
	28	E130187-00	COOLING CONTROL VALVE		1
	29	E130188-00	COOLING CONTROL COVER		1
	30	A050035-41	PANEHADE SCREW	M5X0.8X14L	2
	31	A040005-00	O-RING	P14	1
	32	A190095-00	COOLING CONTROL SENSOR		1



OIL MIST FILTER & CARBURETOR

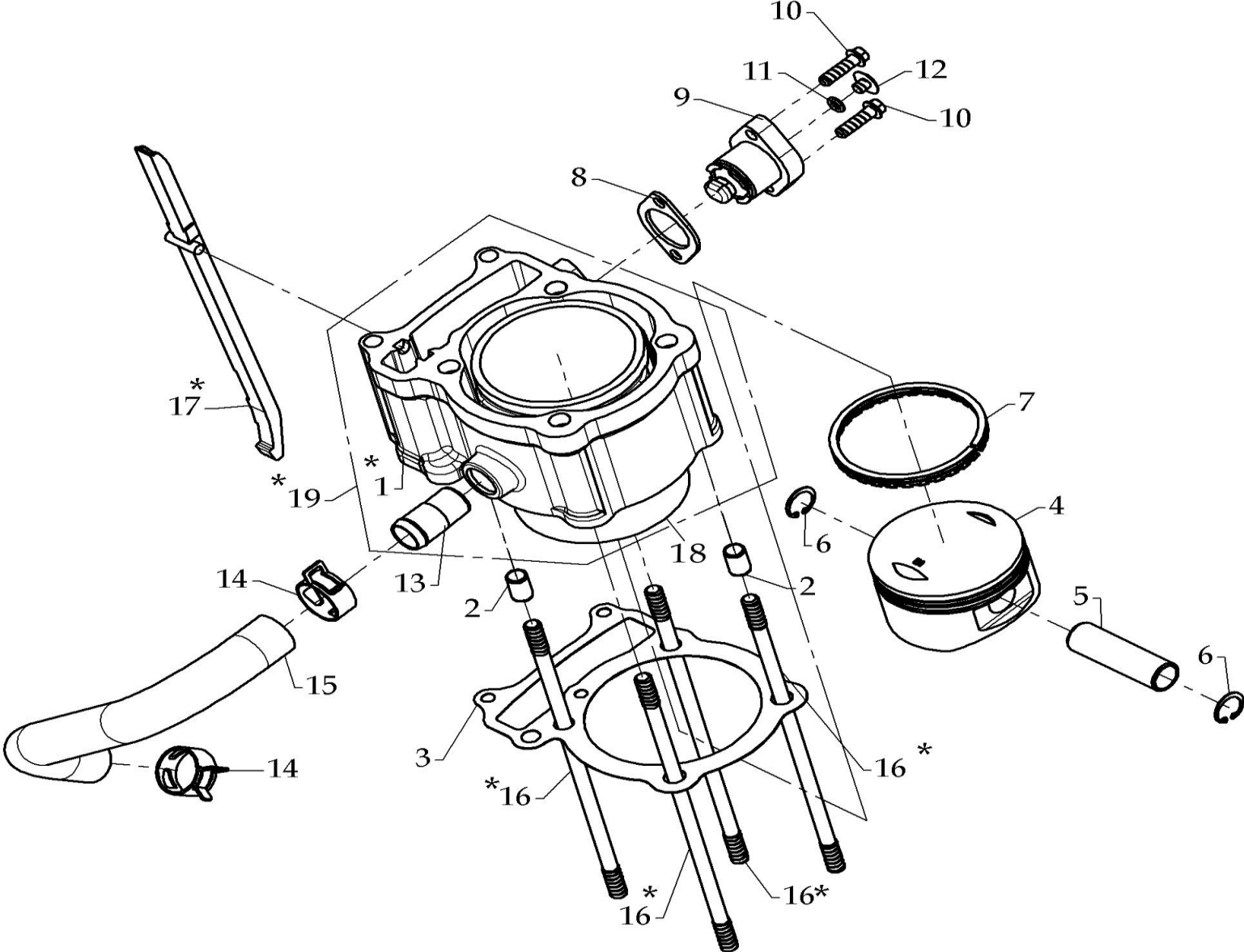


OIL MIST FILTER & CARBURETOR

Model	Item	Part no	Description	Specification	Quantity
	01	E130016-00	CARBURETOR	WVF-13	1
	02	E020134-00	BAND,INTAKE DUCT	φ50	1
	03	E130079-00	CONNECTOR,CARBURETOR		1
	04	A040035-00	O-RING	φ3Xφ33.5	1
	05	E130147-00	OIL MIST FILTER BOX		2
	06	E130151-00	OIL MIST FILTER		2
	07	E130150-00	SOLID BUSH		1
	08	E130156A00	OIL MIST FILTER ASSY.		1
	09	A050221-41	PANHEAD BOLT	M6X1.0X75L	1
	10	A060001-41	HEAX NUT	M6X1.0X6H	1
	11	E130148-50	BRACKET,OIL MIST FILTER		1
	12	A060009-41	FLANGE HEAX NUT	M6X1.0	2
	13	E130152-00	TUBE		1
	14	A220018-00	TUBE CLIP	φ14Xφ1.7	1
	15	A220023-00	PLUG	φ10	1
	16	E130154-00	TUBE		1
	17	A220020-41	TUBE CLIP	φ17X12X1.0t	2
	18	E130054-41	CLIP,TUBE	φ14	1
	19	F140214-00	AIR FILTER,CARBURETOR		1

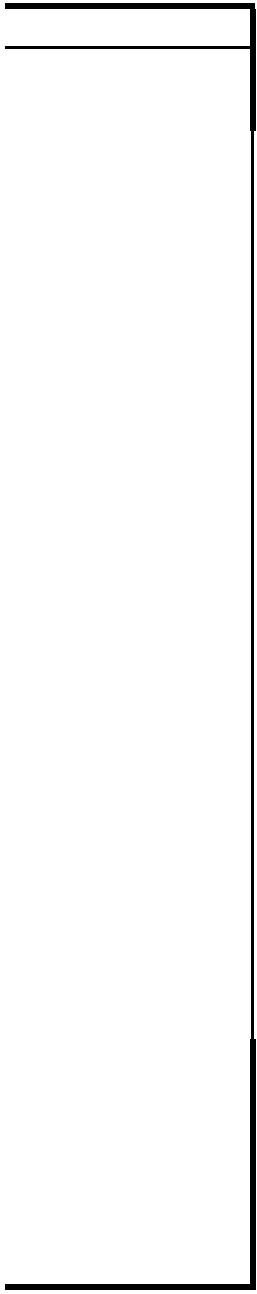


CYLINDER

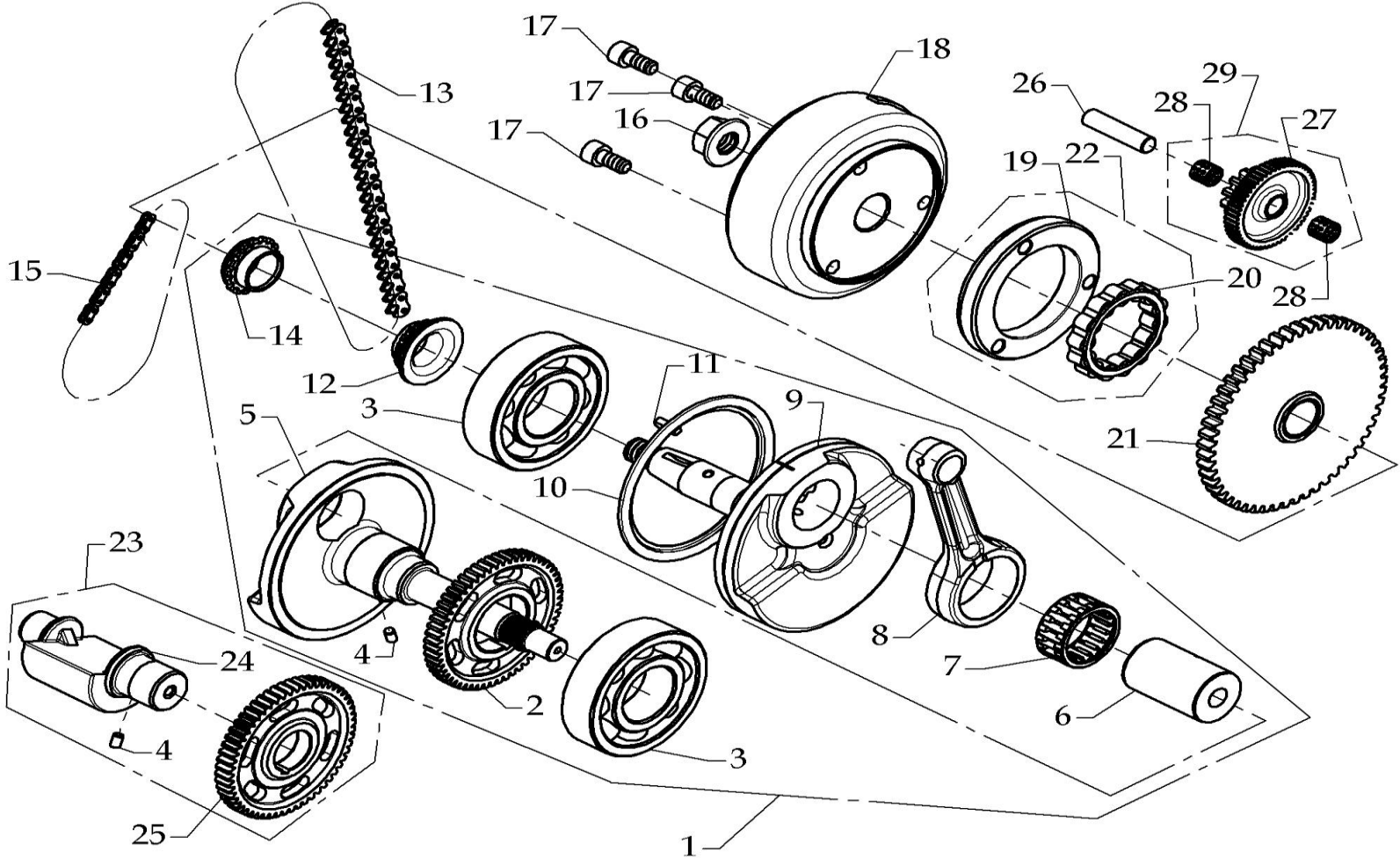


CYLINDER

Model	Item	Part no	Description	Specification	Quantity
270	01		CYLINDER COMP		1
300	*		CYLINDER COMP		1
	02	A070019-00	DOWEL PIN	φ8.2Xφ10X16L	2
	03	E130086-00	GASKET, CYLINDER		1
	04	E130012B00	PISTON (STD.)		1
	05	E130013-00	PISTON PIN		1
	06	E130042-00	INTERNAL CIRCLIP		2
	07	E130041-00	RING SET PISTON (STD.)		1
	08	E020066-00	GASKET, TENSIONER LIFTER		1
	09	E020065-00	CAM CHAIN TENSIONER		1
	10	A050131-41	BOLT, FLANGE	M6X1.0X22L	2
	11	A040015-00	O-RING	φ9.5Xφ1.5	1
	12	A050148-41	SCREW, PAN HEAD	M6X1.0X6L	1
	13		CONNECTOR,TUBE	φ19	1
	14	F150127-41	TUBE CLIP		2
	15	E130101-00	PIPE,COOLING		1
270	16	A140011-41	STUD BOLT	M8X1.25X219L	4
300	*	A140013-41	STUD BOLT	M8X1.25X225L	4
270	17	E130048-00	GUIDE COMP, CAM CHAIN		1
300	*	E130160-00	GUIDE COMP, CAM CHAIN		1
270	18		SUIT,CYLINDER COMP		1
300	*		SUIT,CYLINDER COMP		1
270	19	E130177A00	CYLINDER COMP ASSY.		1
300	*	E130178A00	CYLINDER COMP ASSY.		1

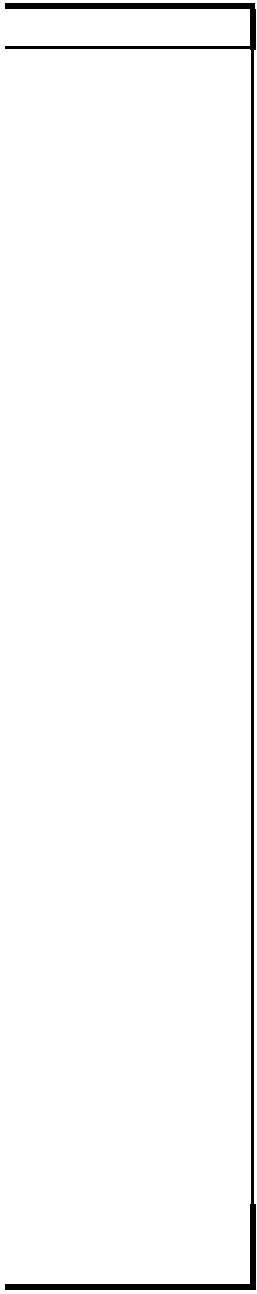


CRANKSHAFT

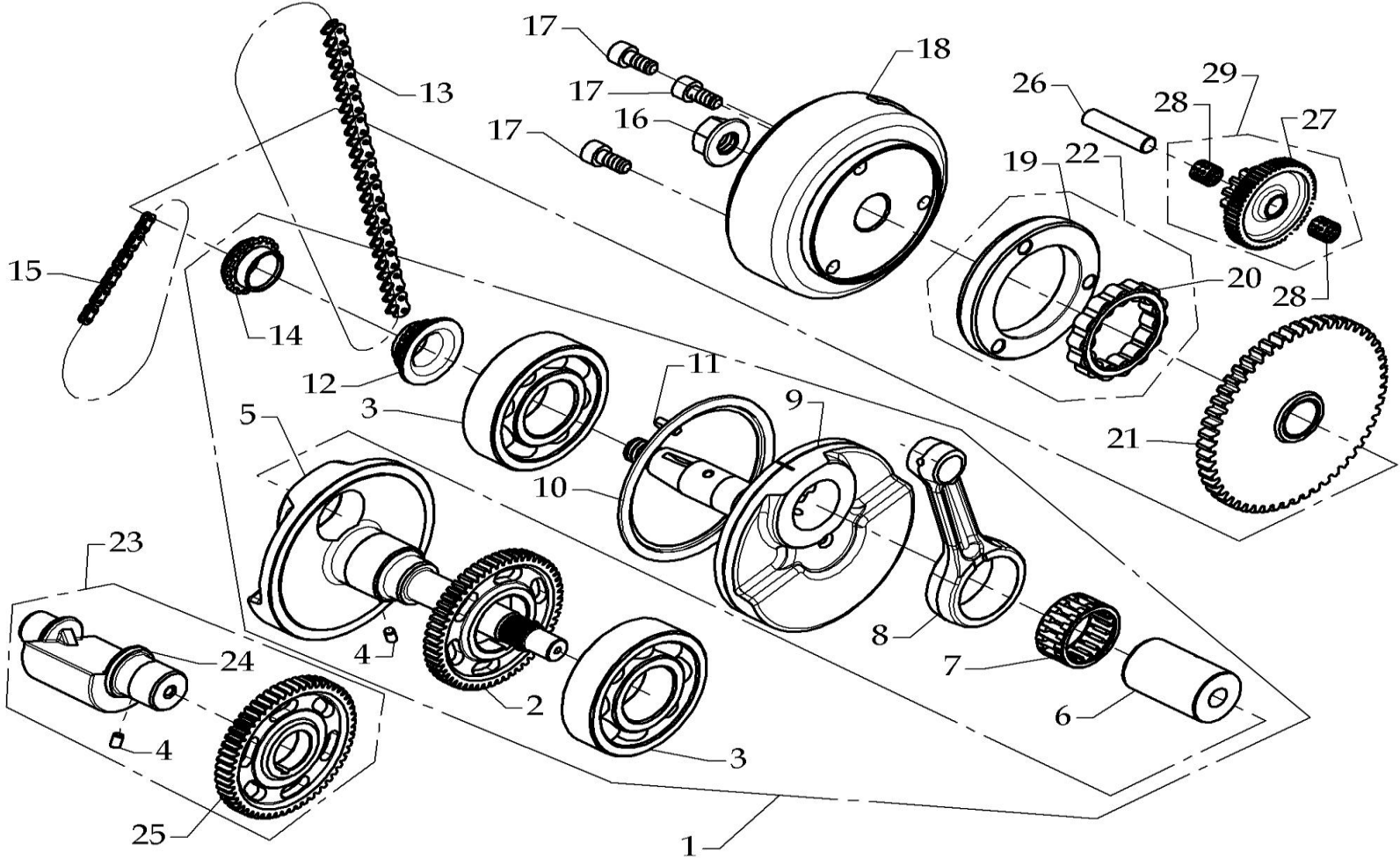


CRANKSHAFT

Model	Item	Part no	Description	Specification	Quantity
270	01	E130009A00	CRANKSHAFT COMP		1
300	*	E130159A00	CRANKSHAFT COMP		1
	02		GEAR,CRANKSHAFT	56T	1
	03		BEARING,RADIAL BALL	TMB307CS19-1	2
	04		PIN	φ5X8L	2
270	05		LEFT CRANKSHAFT		1
300	*		LEFT CRANKSHAFT		1
	06		PIN,PULL ROD		1
	07		BEARING , NEEDLE ROLLER	35X40X18	1
270	08		PISTON,PULL ROD		1
300	*		PISTON,PULL ROD		1
270	09		RIGHT CRANKSHAFT		1
300	*		RIGHT CRANKSHAFT		1
	10		COVER,PRESERVE OIL		1
	11		KEY WOODRUFF	φ25X4.0t	1
	12		TIMING GEAR	17T	1
270	13	E130050-00	CHAIN, CAM	98 LINKS	1
300	*	E130164-00	CHAIN, CAM	63.5X100P	1
	14		DRIVEN SPROCKET OIL PUMP	16T	1
	15	E130051-00	CHAIN,OIL PUMP	46 LINKS	1
	16	A060056-41	NUT, FLANGE	M14X1.25	1
	17	A050209-41	BOLT, SOCKET	M8X1.0X17L	3
	18	E130017-01	FLYWHEEL COMP		1
	19		OUTER,START CLUTCH		1
	20		START CLUTCH	φ56.294	1
	21	E130145A00	GEAR, STARTER CLUTCH	φ39.627	1
	22	E130146-00	START CLUTCH ASSY.	φ39.627Xφ56.294	1
	23	E130049-00	BALANCESHAFT COMP		1

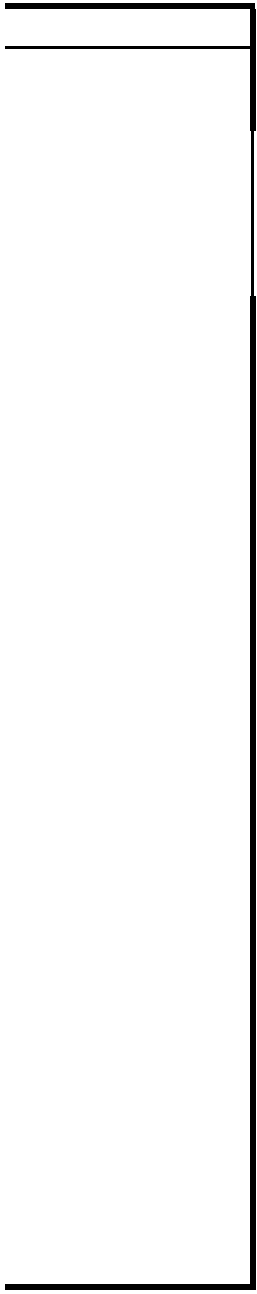


CRANKSHAFT

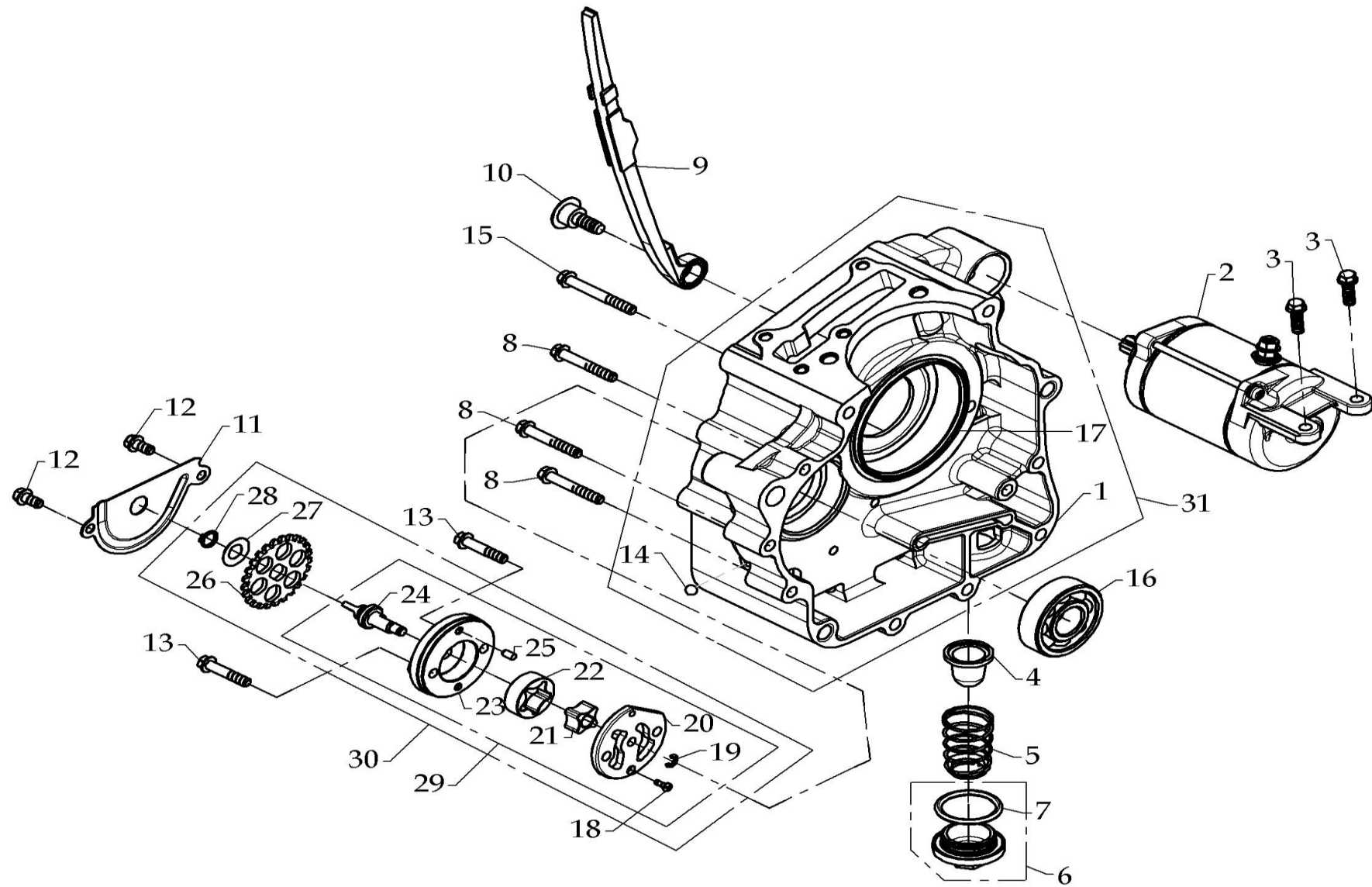


CRANKSHAFT

Model	Item	Part no	Description	Specification	Quantity
	24		SHAFT,BALANCE		1
	25		GEAR,BALANCE	56T	1
	26	A070033-00	SHAFT,REDUCTION GEAR		1
	27	E130045-00	GEAR, STARTER REDUCTION		1
	28	A020004-00	BUSH,BAERING		2
	29	E130059-00	STARTER REDUCTION ASSY.		1

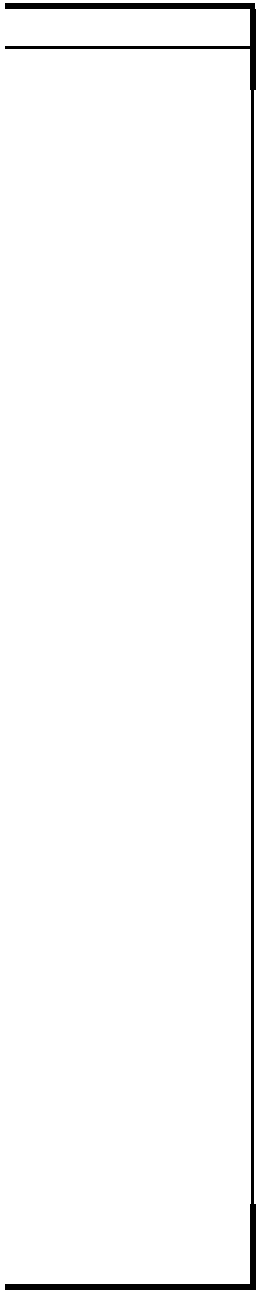


RIGHT CRANKCASE

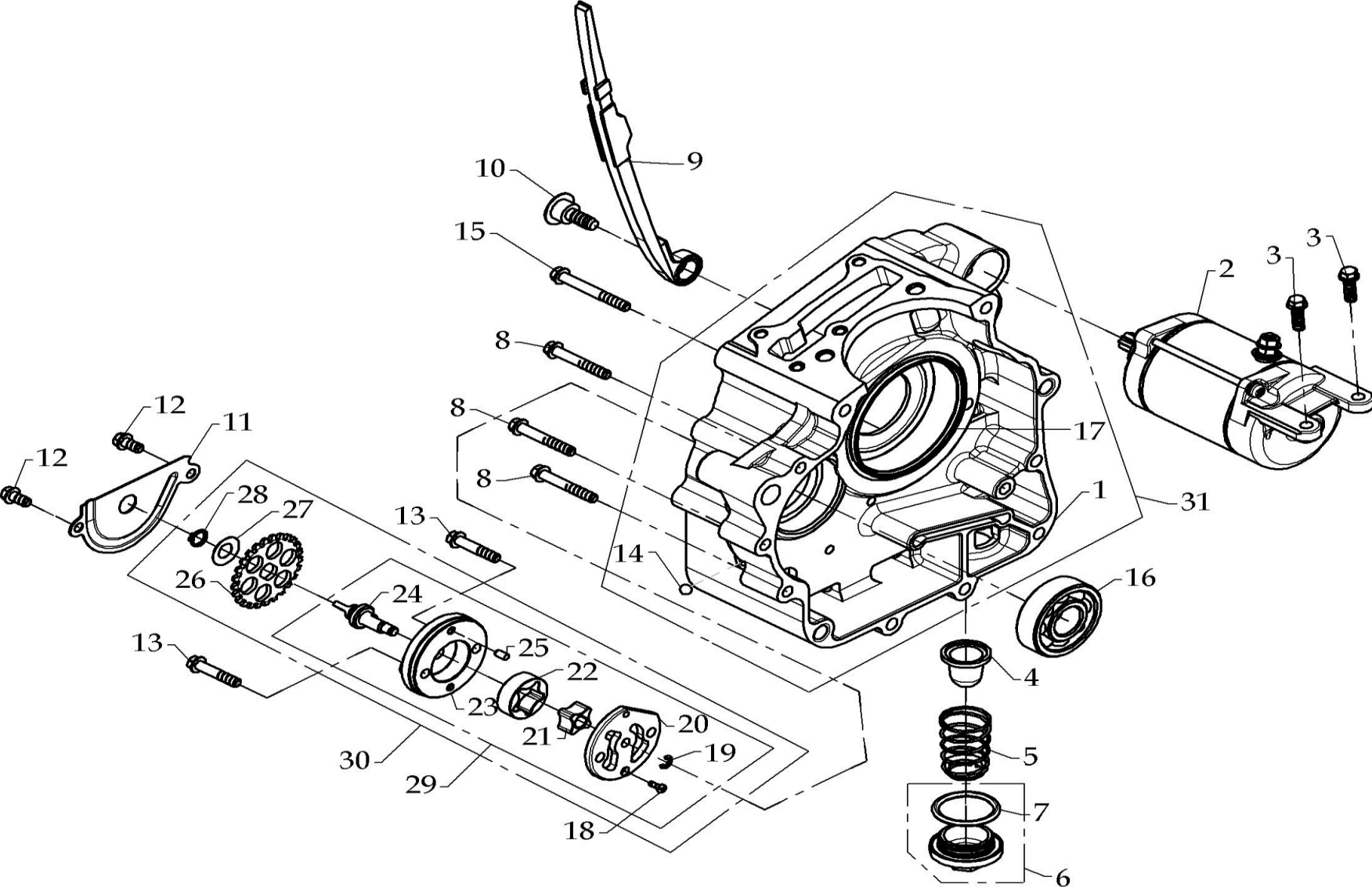


RIGHT CRANKCASE

Model	Item	Part no	Description	Specification	Quantity
	01		CRANKCASE R.		1
	02	E130018-00	STARTER MOTOR ASSY'		1
	03	A050120-41	BOLT, FLANGE	M6X1.0X20L	2
	04	E020072-00	SCREEN, OIL FILTER		1
	05	E020073-00	SPRING, OIL FILTER SCREEN		1
	06	E020071-00	CAP, OIL FILTER		1
	07	A040021-00	O-RING	S31,φ30.7X3.5	1
	08	A050069-41	BOLT, FLANGE	M6X1.0X40L	3
	09	E130047-00	CHAIN TENSIONER GUDE		1
	10	E130093-00	PIVOT,CHAIN TENSIONER		1
	11	E130092-41	OIL SEPARATOR		1
	12	A050129-41	BOLT, FLANGE	M6X1.0X12L	2
	13	A050122-41	BOLT, FLANGE	M6X1.0X30L	2
	14	A150004-00	STEEL BALL	φ6.5	1
	15	A050070-41	BOLT, FLANGE	M6X1.0X50L	1
	16	A010050-00	BEARING, RADIAL BALL	6304,φ52Xφ20X15t	1
	17		BUSH,CRANKSHAFT R.		1
	18		SCREW, PAN HEAD	M3X0.5X8L	1
	19		E TYPE CIRCLIP	φ4	1
	20		COVER,OIL PUMP		1
	21		INTERNAL ROTOR		1
	22		EXTERNAT ROTOR		1
	23		BUDY,OIL PUMP		1
	24		SHAFT,OIL PUMP		1
	25		PIN	φ4X8L	1
	26	E130071-00	SPROCKET,OIL PUMP DRIVEN	25T	1
	27	A080099-00	SPRING WASHER	φ10.2Xφ20X0.3t	1
	28	A100015-43	CIRCLIP,C TYPE	φ10	1

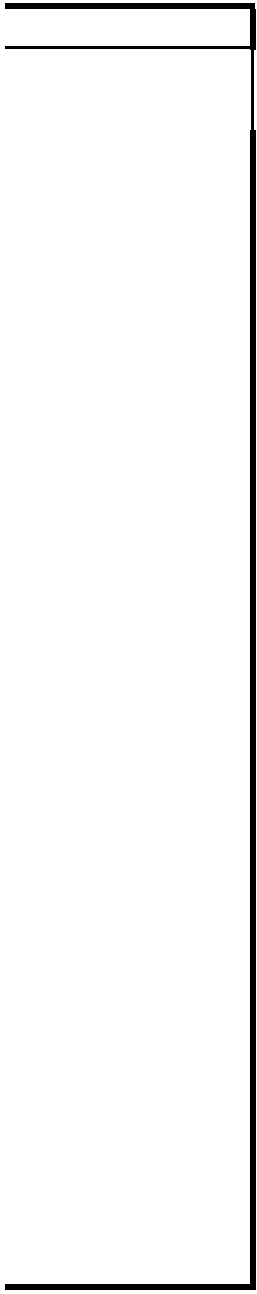


RIGHT CRANKCASE

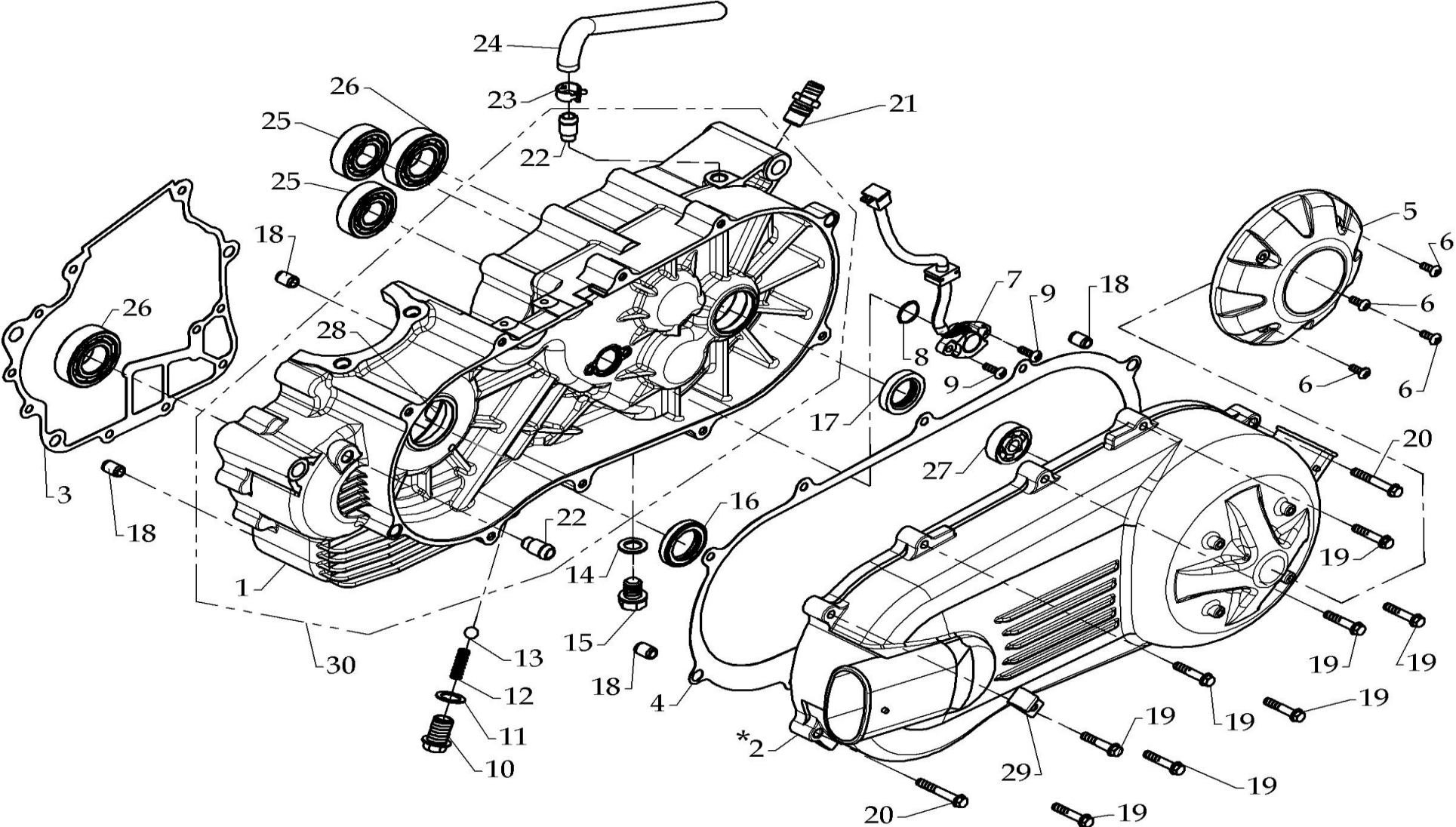


RIGHT CRANKCASE

Model	Item	Part no	Description	Specification	Quantity
	29	E130103-00	OIL PUMP ASSY		1
	30	E130135-00	OIL PUMP & SPROCKET ASSY.		1
	31	E130179-00	CRANKCASE R. ASSY.		1

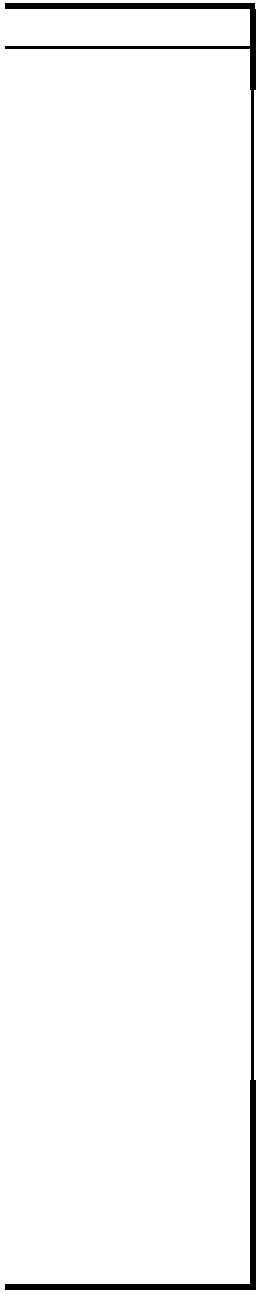


CRANKCASE

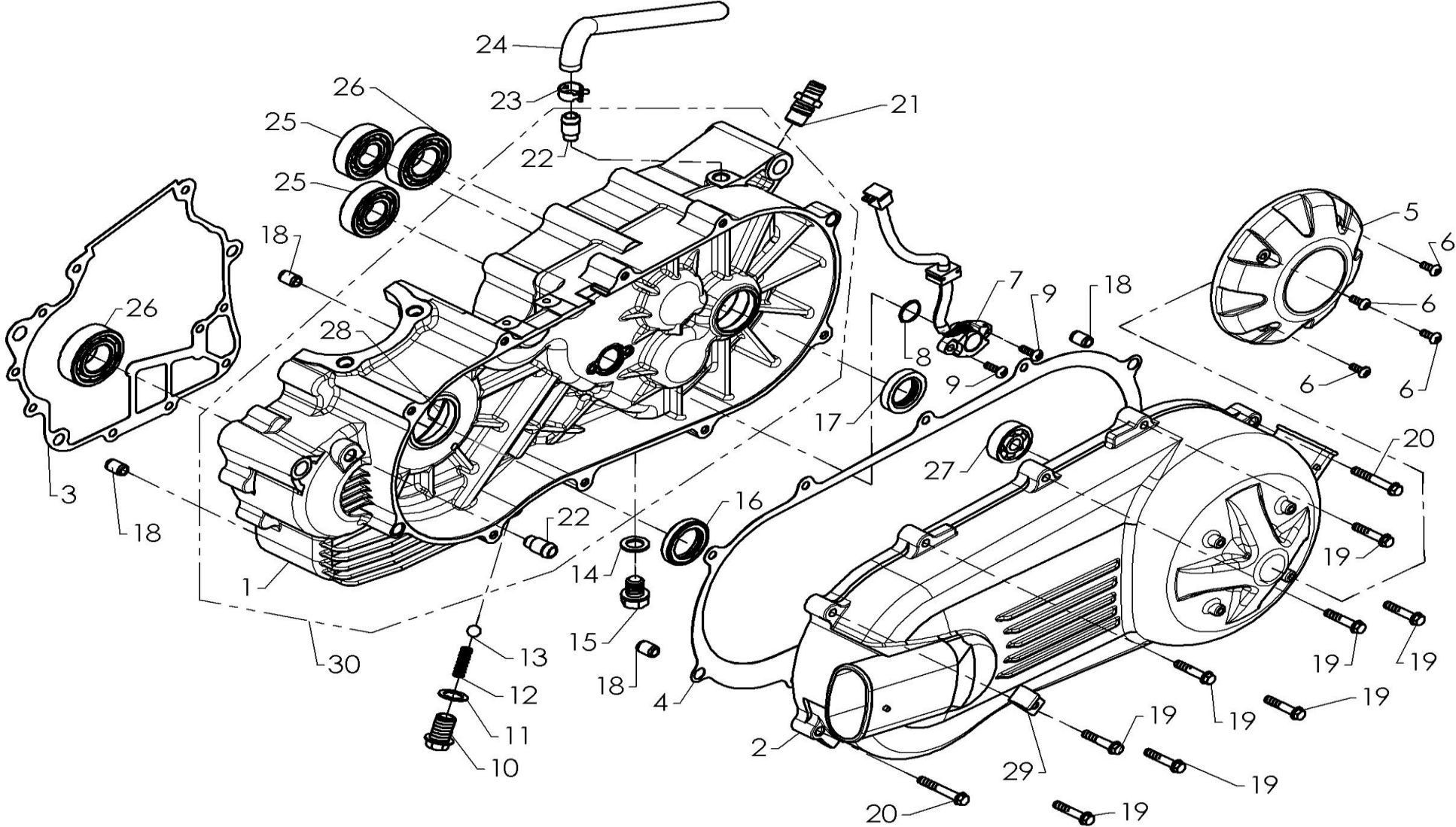


CRANKCASE

Model	Item	Part no	Description	Specification	Quantity
	01		CRANKCASE L.		1
300C.C.	02	E130003-48	COVER, L.		1
	*	E130003-49	COVER, L.		1
	03	E130170-00	GASKET, R. COVER		1
	04	E130090-00	GASKET, L. COVER		1
	05	E130023-01	DECORATION COVER		1
	06	A050181-41	SCREW, PAN HEAD	M5X0.8X12L	4
	07	E020179-00	INDICATOR,GEAR SHIFT		1
	08	A040012-00	O-RING	P21,φ20.8X2.4	1
	09	A050035-41	SCREW, PAN HEAD	M5X14L	2
	10	E060021-42	BOLT, SHIFT LOCK		1
	11	A080089-00	WASHER DRAIN PLUG	φ14.2Xφ21X1.0t	1
	12	A110001-41	SPRING,COMPRESSION	φ8X25L	1
	13	A150001-00	BALL,BEARING	φ9.525	1
	14	A080052-00	WASHER DRAIN PLUG	φ12.2Xφ20X2t	1
	15	A050071-41	BOLT,DRAIN PLUG	M12X1.25	1
	16	A030028-00	OIL SEAL	TC27X42X7t	1
	17	A030024-00	OIL SEAL	TC25X38X7	1
	18	A070009-00	DOWEL PIN	φ6.4Xφ10X14L	4
	19	A050122-41	BOLT, FLANGE	M6X1.0X30L	8
	20	A050069-41	BOLT, FLANGE	M6X1.0X40L	2
	21	E060035-00	SPEEDOMETER CONNECTOR		1
	22		CONNECT,BREATHER HOSE	φ13	2
	23	E130054-41	CLIP,TUBE	φ14	1
	24	E130066-00	BREATHER HOSE	φ10Xφ14.5	1

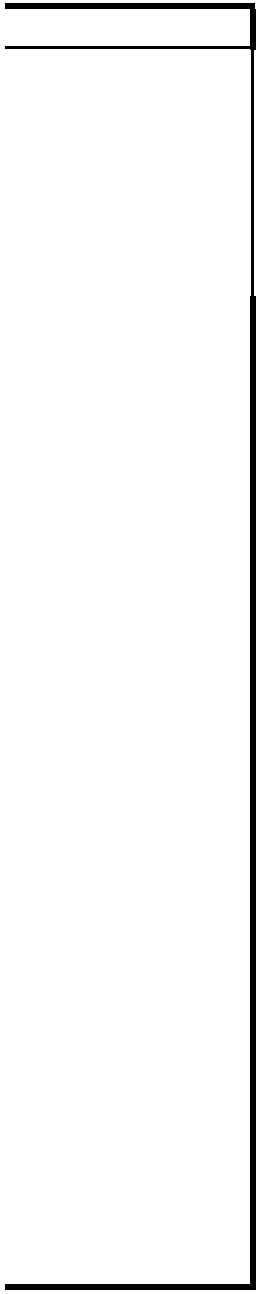


CRANKCASE

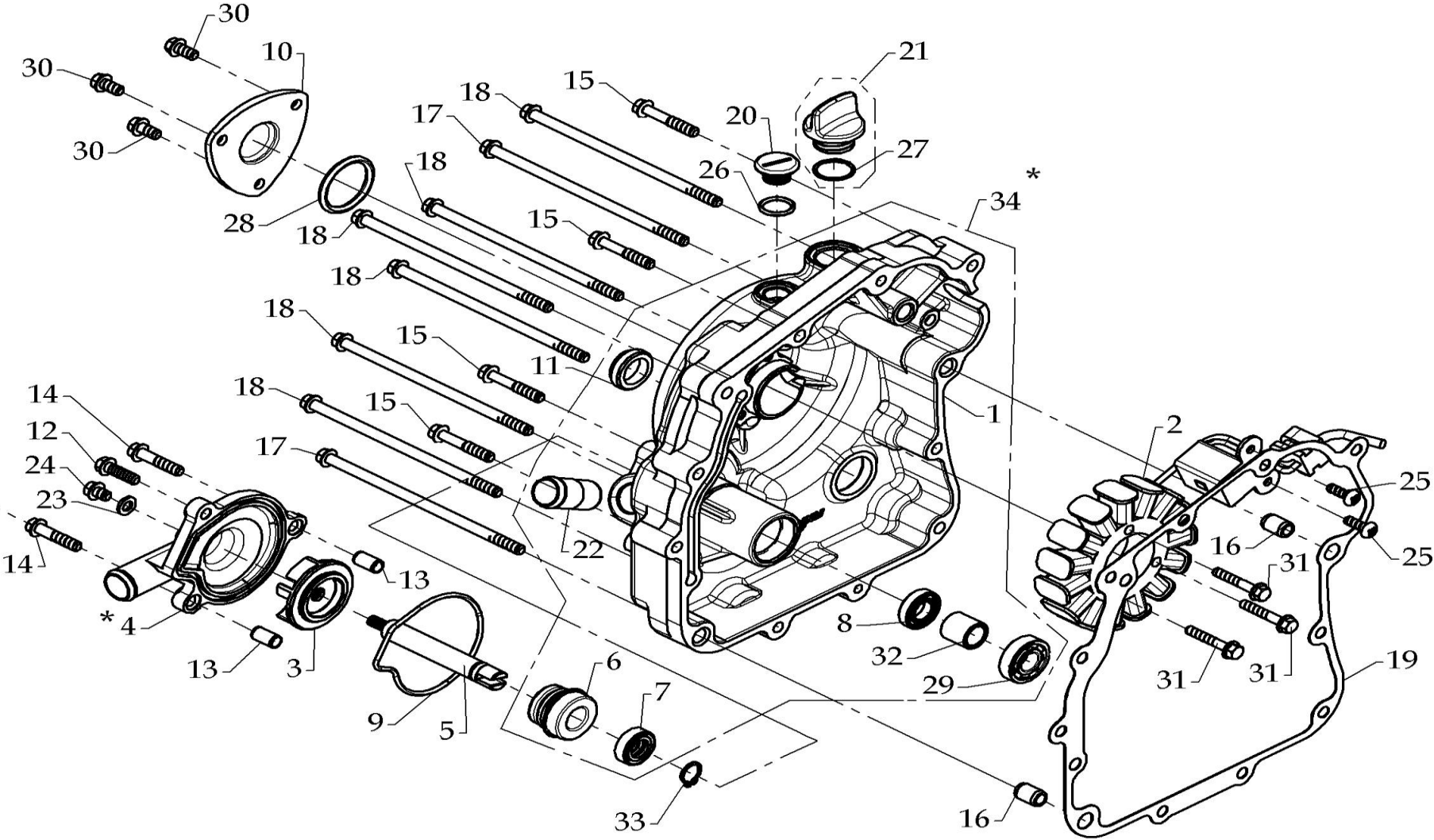


CRANKCASE

Model	Item	Part no	Description	Specification	Quantity
	25	A010011-00	BEARING, RADIAL BALL	6204,ϕ20Xϕ47X14t	2
	26	A010045-00	BEARING, RADIAL BALL	6205,ϕ25Xϕ52X15t	2
	27	A010020-04	BEARING, RADIAL BALL	6300LLU,ϕ10Xϕ35X11t	1
	28	E130024-00	BUSH,CRANKSHAFT		1
	29	A220022-00	CLIP,TUBE	ϕ10	1
	30	E130180-00	CRANKCASE L. ASSY.		1

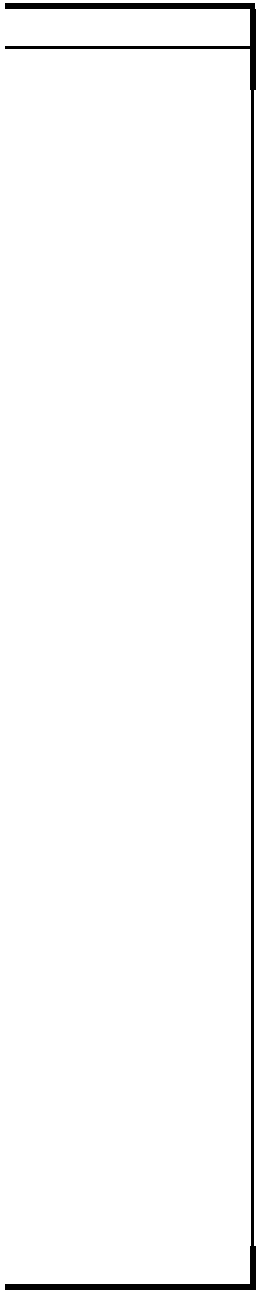


RIGHT CRANKCASE COVER

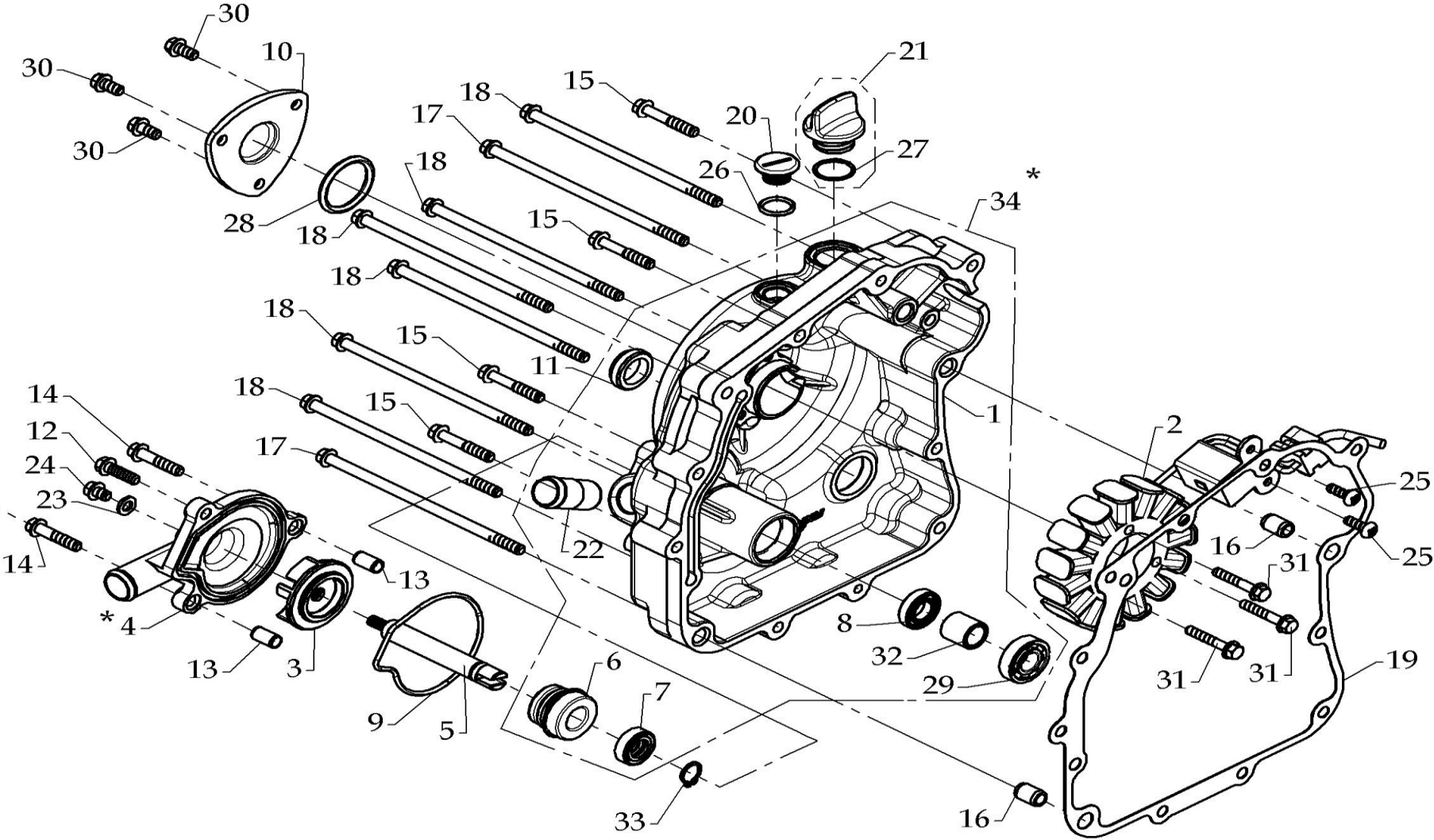


RIGHT CRANKCASE COVER

Model	Item	Part no	Description	Specification	Quantity
	01		COVER, R. CRANKCASE COMP		1
	02	E130017-02	STATOR COMP		1
	03	E130073-00	IMPELLER		1
	04	E130068-49	COVER,VANE PUMP	SILVER	1
	*	E130068-48	COVER,VANE PUMP	BLACK	1
	05	E130074-00	SHAFT,VANE PUMP		1
	06	A030032-00	MACHINERY OIL SEAL	EH790	1
	07	A030027-00	OIL SEAL	TC12	1
	08	A010008-00	BEARING, RADIAL BALL	6901,φ12xφ24x6t	1
	09	E130084-00	SEAL,VANE PUMP		1
	10	E130005-49	DECORATION COVER		1
	11	E130052-00	OIL LEVEL SCREEN	φ25	1
	12	A050120-41	BOLT, FLANGE	M6X1.0X20L	1
	13	A070018-00	DOWEL PIN	φ8X14L	2
	14	A050138-41	BOLT, FLANGE	M6X1.0X28L	2
	15	A050139-41	BOLT, FLANGE	M6X1.0X35L	4
	16	A070009-00	DOWEL PIN	φ6.4Xφ10X14L	2
	17	A050178-41	BOLT, FLANGE	M6X1.0X135L	2
	18	A050177-41	BOLT, FLANGE	M6X1.0X130L	6
	19	E130088-00	GASKET		1
	20	E130104-00	TIMING SCREEN COVER		1
	21	E130039-00	OIL FILL CAP	M20X2.5	1
	22	E130094-41	CONNECTOR,TUBE	φ19	1
	23	A080074-00	WASHER DRAIN PLUG	φ6.5	1
	24	A050080-41	BOLT, FLANGE	M6X1.0X8L	1
	25	A050035-41	SCREW, PAN HEAD	M5X14L	2
	26	A040005-00	O-RING	P14	1
	27	A040012-00	O-RING	P21,φ20.8X2.4	1
	28	A040026-00	O-RING	P30	1

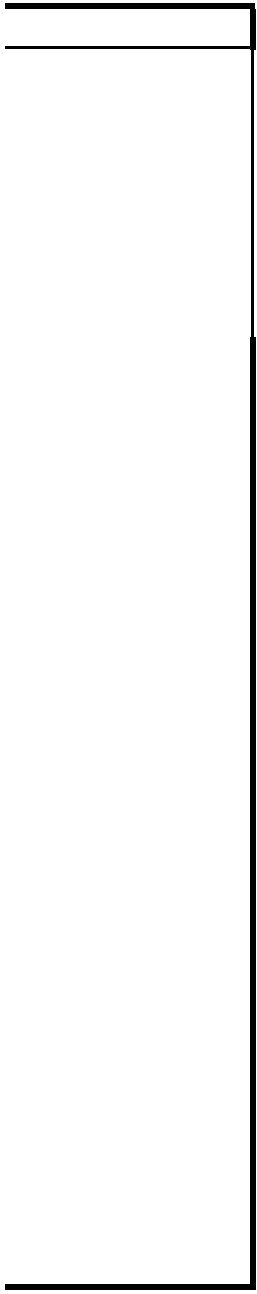


RIGHT CRANKCASE COVER

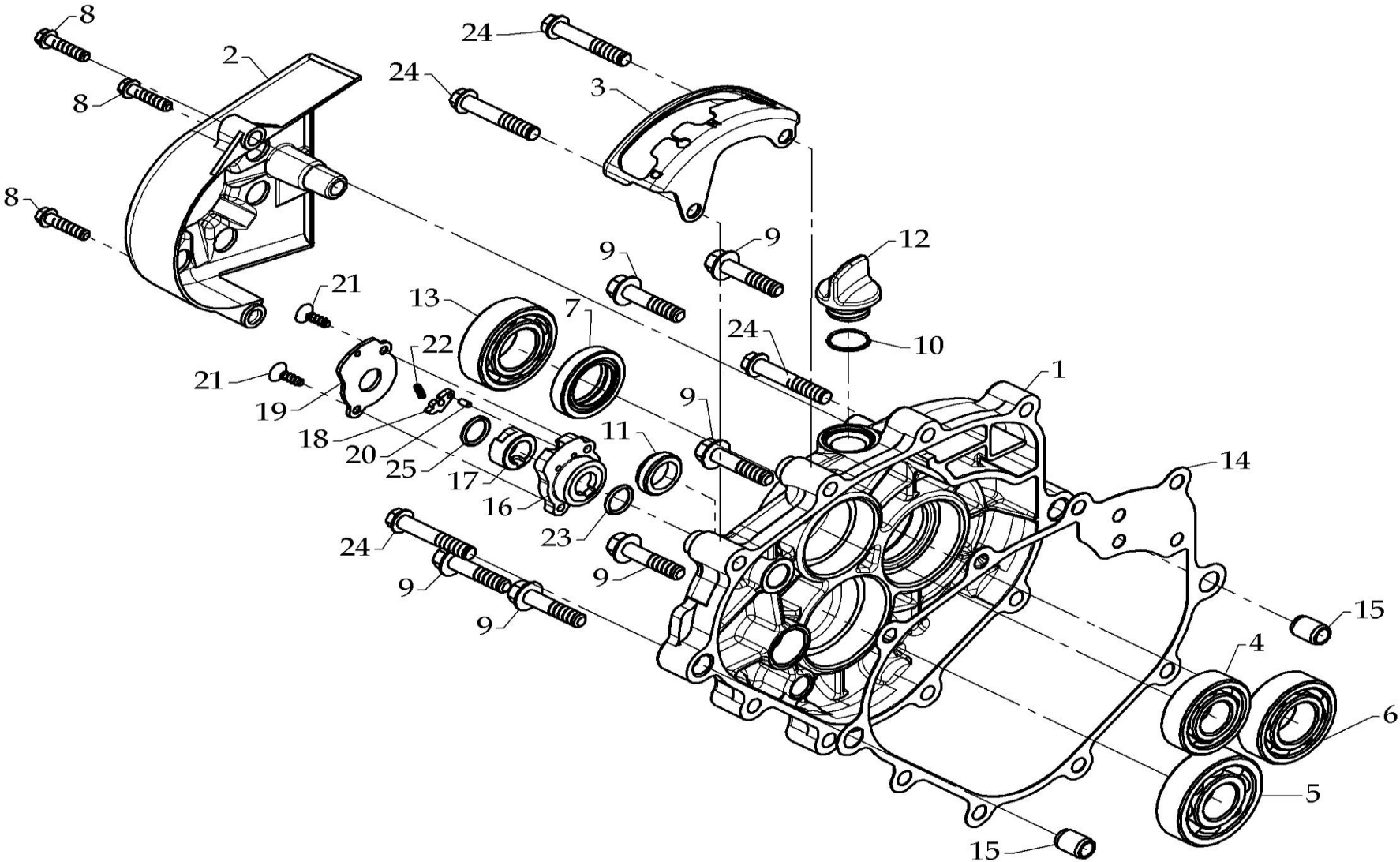


RIGHT CRANKCASE COVER

Model	Item	Part no	Description	Specification	Quantity
	29	A010033-00	BEARING, RADIAL BALL	6001,φ12Xφ28X8t	1
	30	A050129-41	BOLT, FLANGE	M6X1.0X12L	3
	31	A050193-41	BOLT, FLANGE	M5X0.8X30L	3
	32	A090022-00	COLLAR		1
	33	A100023-43	RETAINING RINGS C TYPE	φ12	1
	34	E130182-00	R. CRANKCASE COVER ASSY.	SILVER	1
	*	E130182-48	R. CRANKCASE COVER ASSY.	BLACK	1



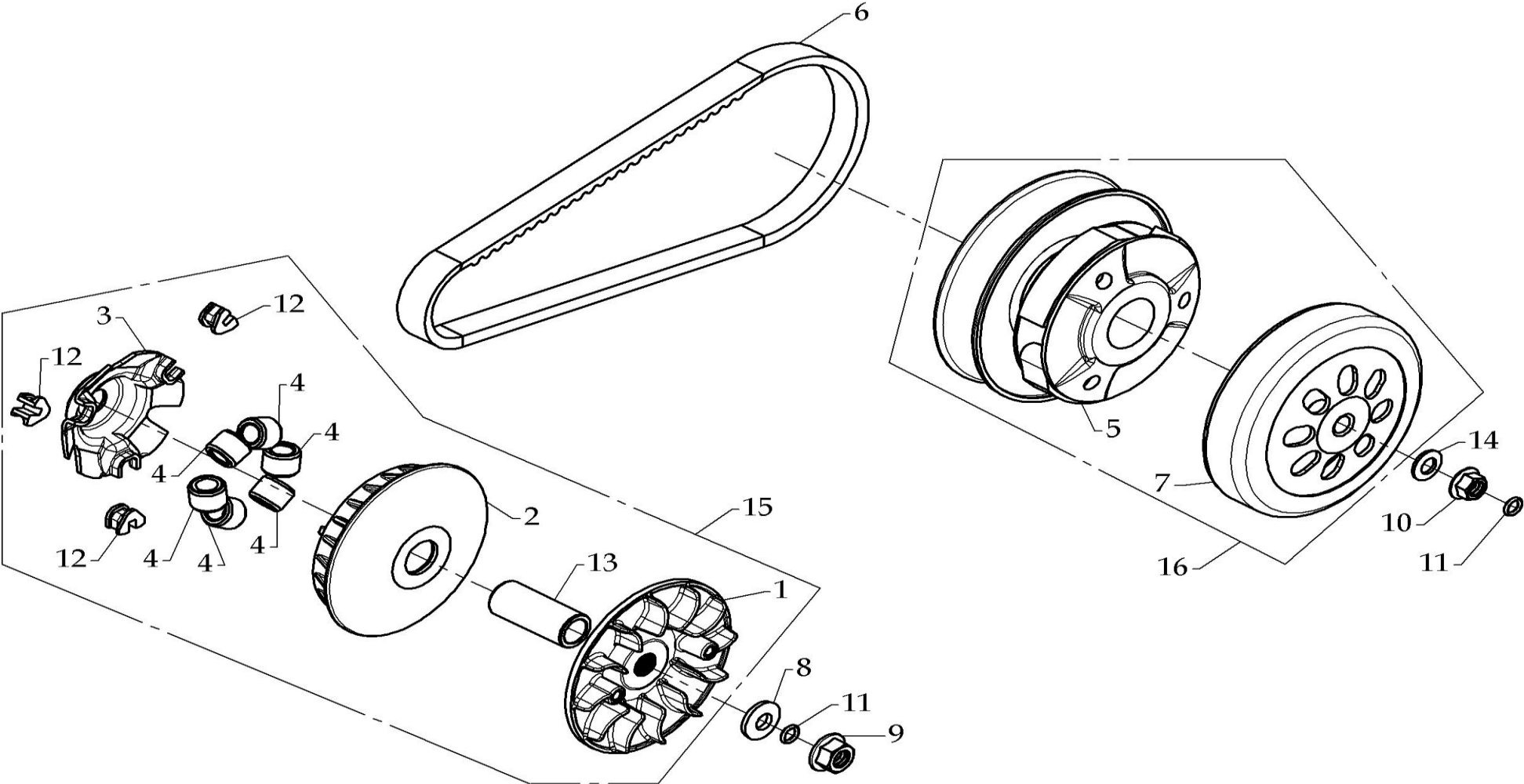
GEAR BOX COVER



GEAR BOX COVER

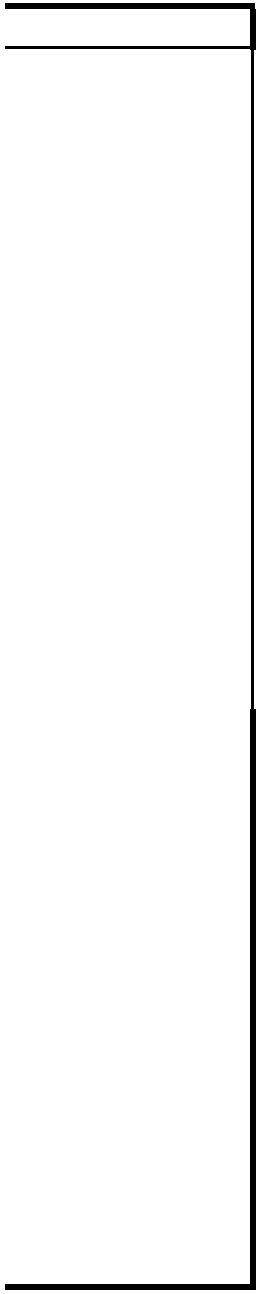
Model	Item	Part no	Description	Specification	Quantity
	01	E130022-00	COVER,GEAR		1
	02	E130056-00	SPROCKET COVER		1
	03	E130055C45	INDICATOR , GEAR SHIFT		1
	04	A010011-00	BEARING, RADIAL BALL	6204,φ20Xφ47X14t	1
	05	A010046-00	BEARING, RADIAL BALL	63/22,φ22Xφ56X16t	1
	06	A010045-00	BEARING, RADIAL BALL	6205,φ25Xφ52X15t	1
	07	A030013-00	OIL SEAL	TC25X42X8	1
	08	A050121-41	BOLT, FLANGE	M6X1.0X25L	3
	09	A050179-41	BOLT, FLANGE	M8X1.25X35L	6
	10	A040012-00	O-RING	P21,φ20.8X2.4	1
	11	E130052-00	OIL LEVEL SCREEN	φ25	1
	12	E130039-00	OIL FILL CAP	M20X2.5	1
	13	A010045-04	BEARING, RADIAL BALL	6205LLU,φ25Xφ52X15t	1
	14	E130040-00	GASKET,GEAR COVER		1
	15	A070008-00	DOWEL PIN	φ12X16L	2
	16	E130060-00	REVERS SWITCH DEVICE		1
	17	E130061-00	RATCH		1
	18	E130062-00	STOPPER		1
	19	E130063-00	COVER		1
	20	A070030-00	PIN	φ3X6L	1
	21	A050175-41	MACHINE SCREW	M4X12L	2
	22	A110032-41	SPRING,COMPRESSION	φ3Xφ0.35X10L	1
	23	A040005-00	O-RING	P14	1
	24	A050210-41	BOLT, FLANGE	M8X1.25X45L	4
	25	A040024-00	O-RING	S14	1



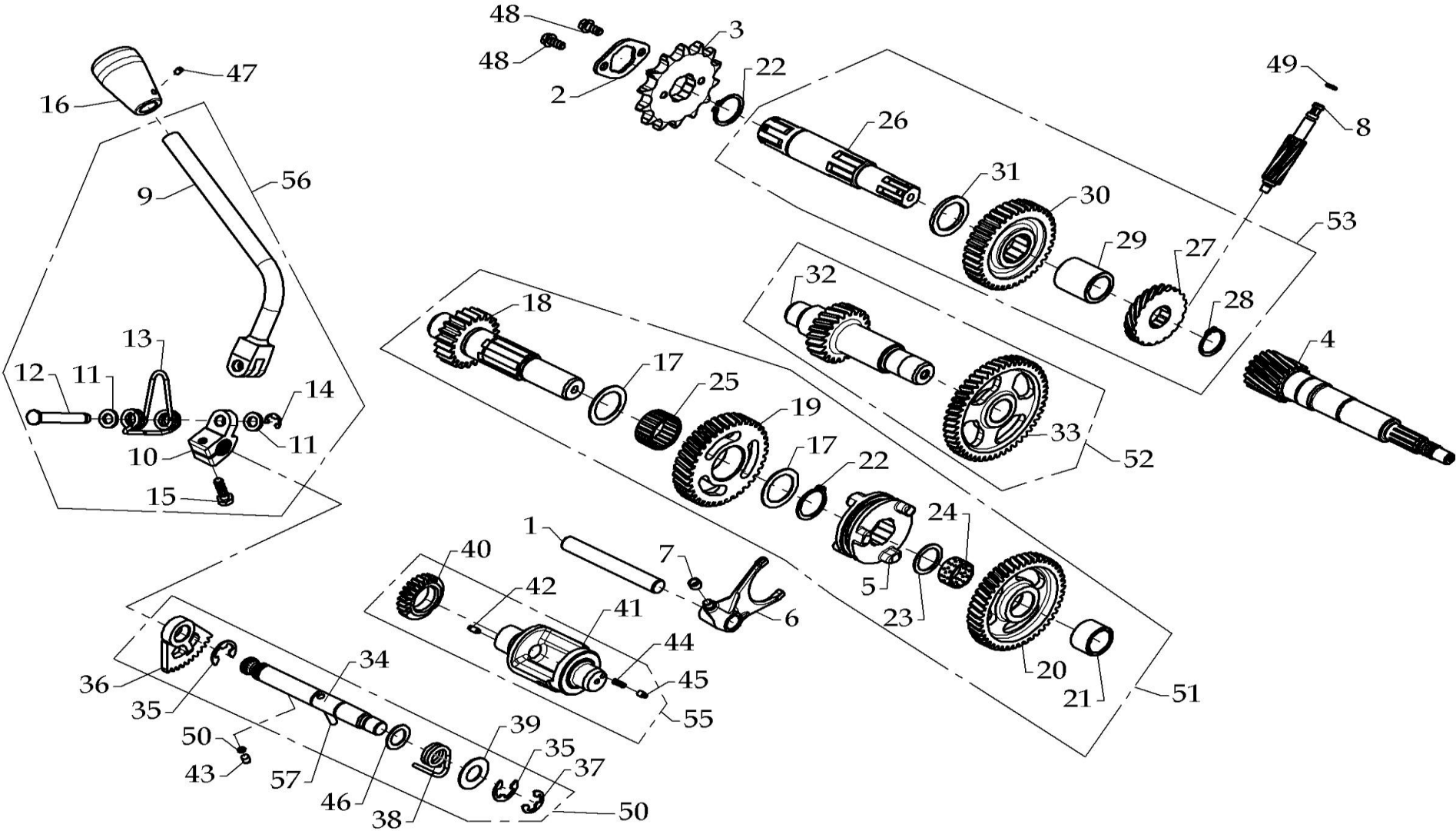


C.V.T.

Model	Item	Part no	Description	Specification	Quantity
	01	E130115-00	FACE, FIXED DRIVE		1
	02	E130116-00	FACE,MOVABLE DRIVE		1
	03	E130112-00	RAMP PLATE		1
	04	E130114-00	ROLLER SET, WEIGHT	20g	6
	05	E130117-00	MOVABLE DRIVEN FACE COMP		1
	06	A170010-00	DRIVE BELT	893 24 30	1
	07	E130118-00	OUTER,CLUTCH		1
	08	A080094-00	WASHER,CONICAL SPRING	φ17Xφ30X3.5t	1
	09	A060056-41	NUT, FLANGE	M14X1.25X13.5t	1
	10	A060038-41	NUT, FLANGE	M12X1.25	1
	11	A040028-00	O-RING	φ2.4Xφ9.8	2
	12	E130113-00	SLIDE PIECE		3
	13	A090021-00	DRIVE FACE BOSS		1
	14	A080079-00	WASHER,CONICAL SPRING	φ12.2Xφ24X2.6t	1
	15	E130110-00	PRIMARY SLIDING SHEAVE COMP.		1
	16	E130111-00	SEC. SLIDING SHEAVE COMP.		1

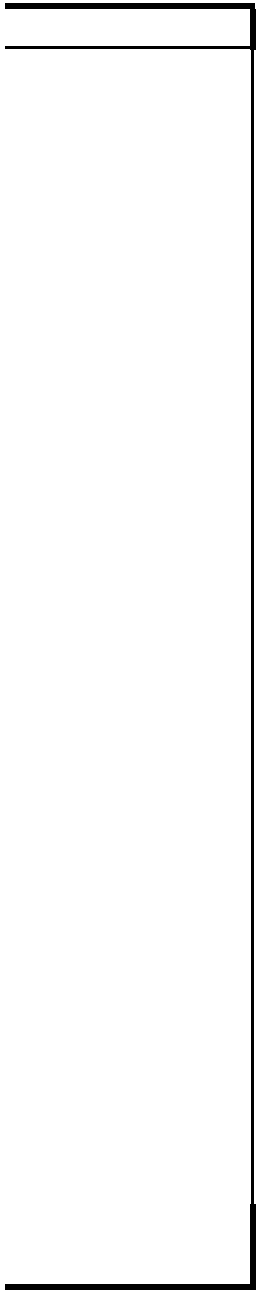


TRANSMISSION

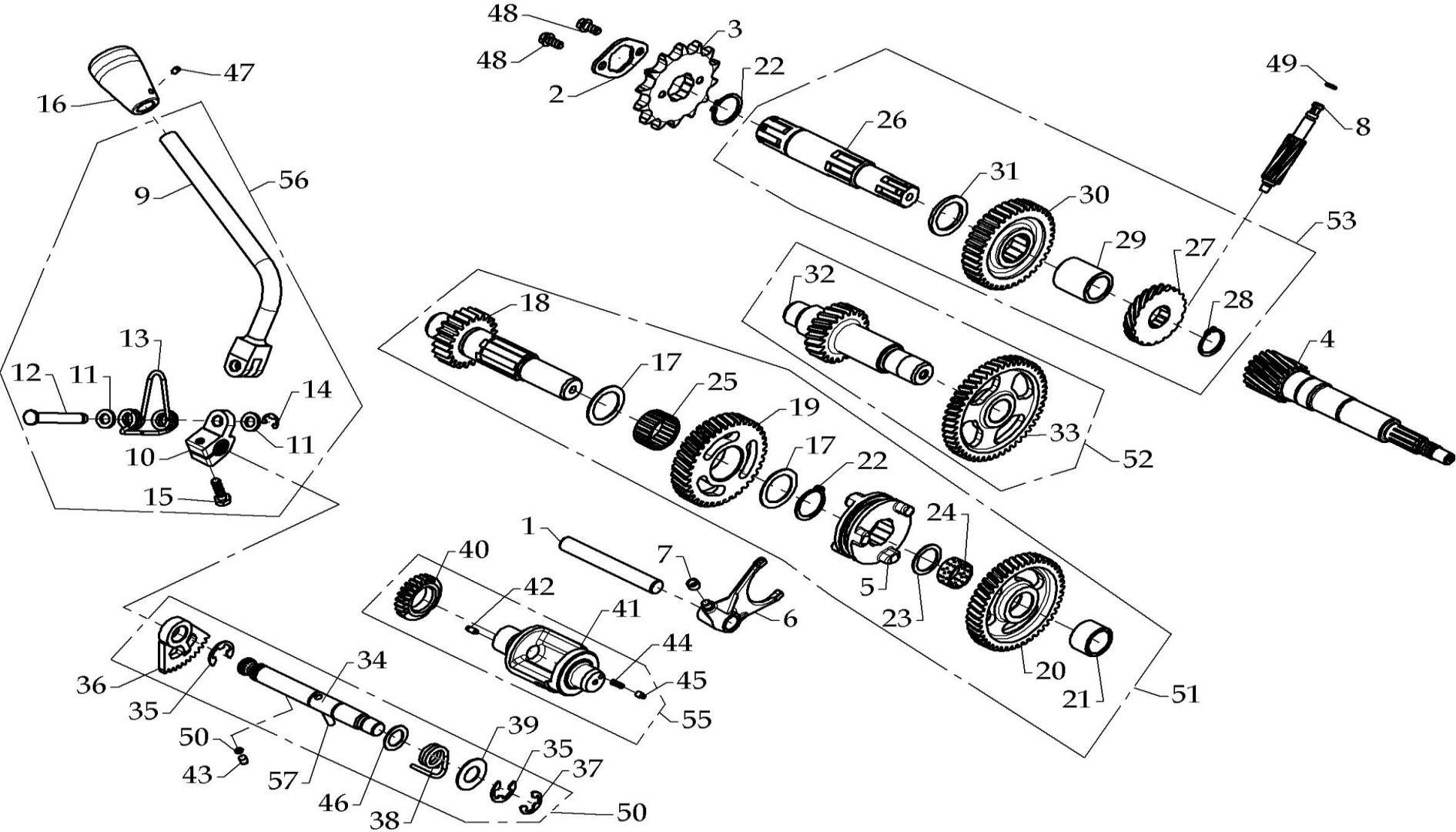


TRANSMISSION

Model	Item	Part no	Description	Specification	Quantity
	01	E060006-00	FORK SHAFT		1
	02	A170006-00	HOLDER,SPROCKET DRIVE		1
	03	A170004-00	SPROCKET, DRIVE	14T	1
	04	E130033-00	SHAFT,PRIMARY DRIVE	17T	1
	05	E130026-00	CLUTCH GEAR R.D.		1
	06	E120009-00	FORK		1
	07	E130096-00	FORK RING		1
	08	E060070-00	SPEEDOMETER SHAFT	11T	1
	09		LEVER , GEAR SHIFT		1
	10		CONNECTER , GEAR SHIFT		1
	11		SPACER	φ8.2Xφ15X2t	2
	12		SHAFT		1
	13		SPRING , GEAR SHIFT		1
	14		RETAINING RINGS E TYPE	φ7	1
	15	A050051-41	HEX BOLT	M6X1.0X25L	1
	16	E060028-00	CONICAL KNOBS		1
	17	A090013-00	WASHER , PLATE	φ25.2Xφ35X1t	2
	18	E130028-00	COUNTER SHAFT	22T	1
	19	E130027-00	REVERSE GEAR,COUNTER SHAFT	37T	1
	20	E130032-00	GEAR,COUNTER SHAFT	45T	1
	21	A090017-00	COLLAR	φ20.2Xφ26X16L	1
	22	A100013-43	RETAINING RINGS C TYPE	φ25	3
	23	A080004-00	WASHER , PLATE	φ20.2Xφ27X1t	1
	24		BEARING,COLLAR	φ20Xφ23X12L	1
	25	A010044-00	BEARING , NEEDLE ROLLER	K25X30X17H	1
	26	E130035-00	SHAFT,OUTPUT		1
	27	E060069-00	GEAR, SPEEDOMETER DRIVE	18T	1
	28	A100010-00	RETAINING RINGS C TYPE	φ20	1



TRANSMISSION



TRANSMISSION

Model	Item	Part no	Description	Specification	Quantity
	29	A090008-00	COLLAR	φ20.2Xφ28X30.7L	1
	30	E130036-00	FINAL GEAR	37T	1
	31	A090015-00	SPACER	φ25.2Xφ35X2.5t	1
	32		REVERS SHAFT	21T	1
	33		GEAR,REVERSE 1ND	49T	1
	34		SHAFT, GEARSHIFT		1
	35		RETAINING RINGS E TYPE	φ12	2
	36		GEAR, GEARSHIFT		1
	37		RETAINING RINGS E TYPE	φ10	1
	38		SPRING , GEAR SHIFT		1
	39		WASHER , PLATE	φ14Xφ28X1.0t	1
	40		GEAR , CAMSHAFT		1
	41		CAMSHAFT	D.N.R	1
	42		PIN	φ6	1
	43	A070036-00	PIN	φ5X7L	1
	44	A110002-00	SPRING,COMPRESSION	WF04-10	1
	45	E060023-00	SWITCH,INDICATOR		1
	46	A080005-41	WASHER , PLATE	φ14.2Xφ22X1.0t	1
	47	A050072-41	SCREW , HEXAGON SOCKET	M4X5L	1
	48	A050129-41	BOLT, FLANGE	M6X1.0X12L	2
	49	A040011-00	O-RING	P6,φ6Xφ1.9	1
	50	E130034-00	GEARSHTFT SHAFT ASSY.		1
	51	E130089-00	COUNTERSHAFT ASSY.		1
	52	E130029-00	REVERSE SHAFT ASSY.		1
	53	E130053-00	MAIN SHAFT ASSY.		1
	54	A040032-00	O-RING	S3,φ2.5Xφ1.5Xφ5.5	1
	55	E130109-00	CAMSHIFT ASSY.		1
	56	E130122A00	GEARSHIFT LEVER ASSY.		1
	57	A070026-00	PIN	φ5X35L	1

