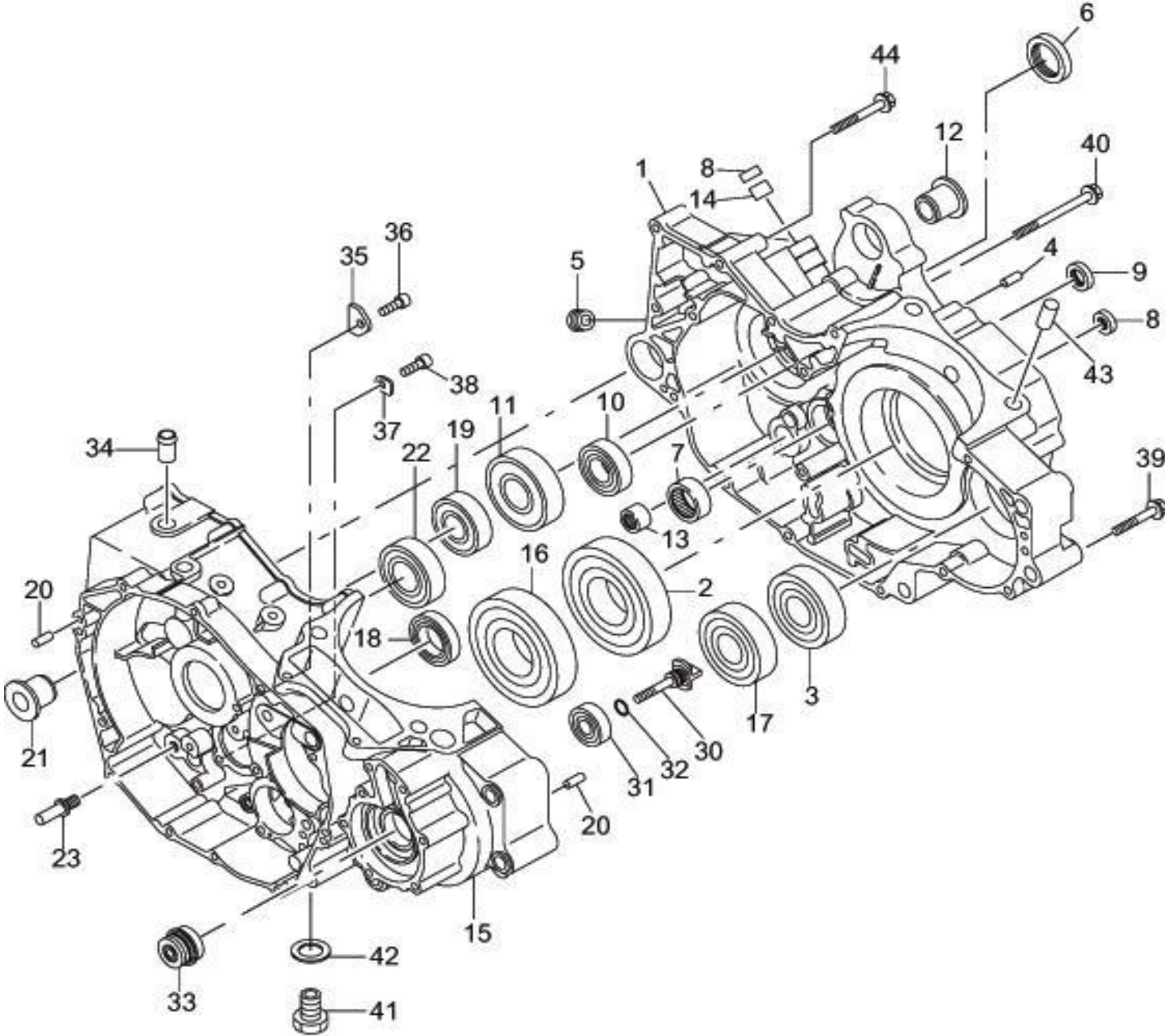


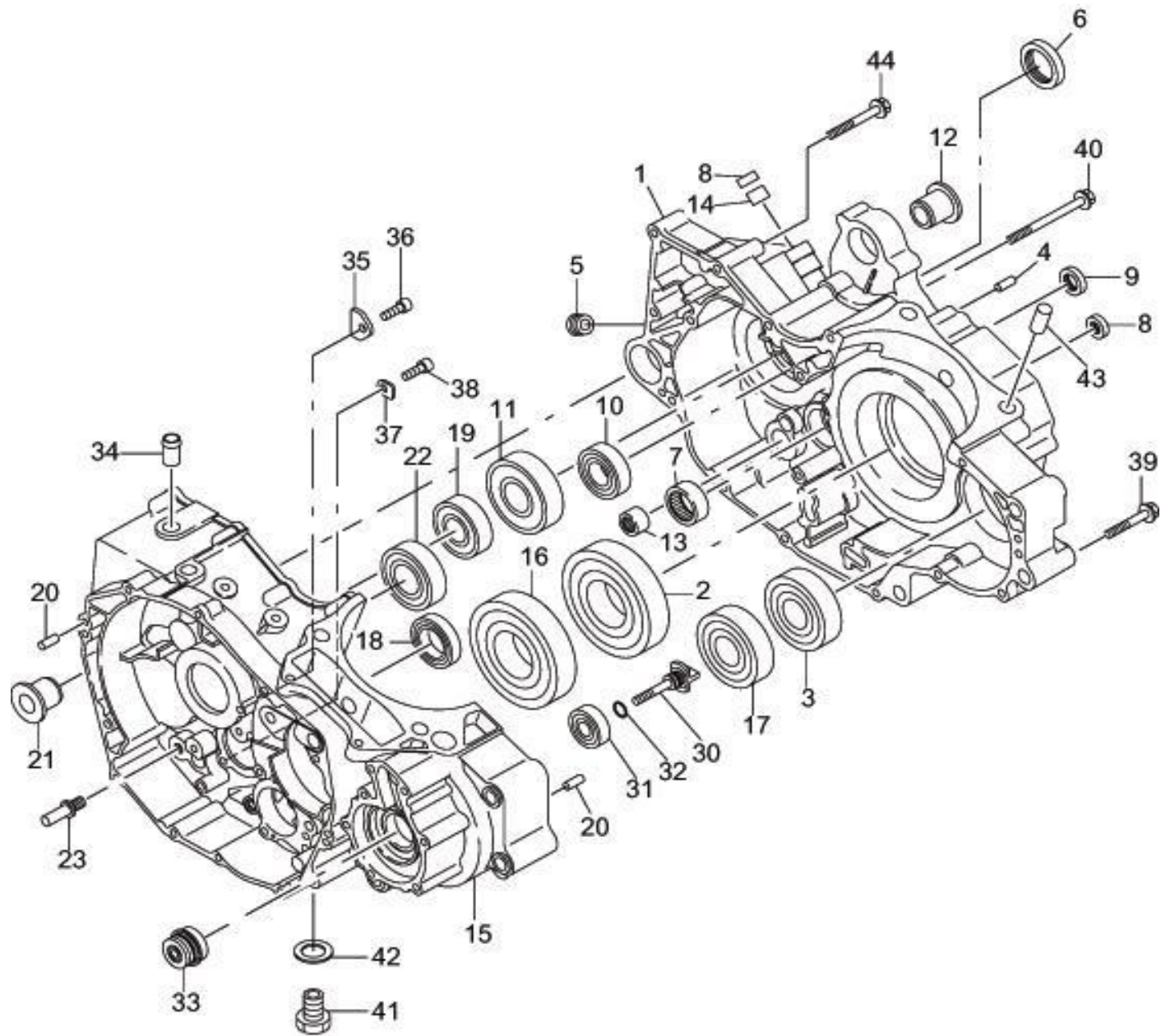
1. CRANKCASE



1. CRANKCASE

Item	Part-No.	DL-Part No.	Part Name	Specification	Q'ty
*1	290 10301 00		CRANKCASE ASSY.	Incl. 2 ~ 23,30 ~ 40	1
2	060 03502 21	A010056-00	BALL BEARING	3TMB-6308	1
3	060 02501 70	A010063-00	BALL BEARING	TMB305X77 C3	1
4	031 00600 10		DOWEL PIN		2
5	235 15421 03		BLIND PLUG	PT1/8	1
6	044 02500 70	A030036-00	OIL SEAL	TB25X38X7	1
7	061 01300 00	A010061-00	NEEDLE BEARING	HK2512	1
8	044 01200 30	A030037-00	OIL SEAL	KC12X18X5	2
9	044 01300 20	A030038-00	OIL SEAL	TC13X22X5	1
10	060 02001 50	A010026-00	BALL BEARING	6004LU	1
11	060 02501 10	A040065-03	BALL BEARING	6305LU	1
12	283 16401 03		COLLAR		1
13	061 02500 10	A010060-00	NEEDLE BEARING	HK1312	1
14	060 21200 10		BEARING (RELEASE)		1
16	060 03502 21	A010056-00	BALL BEARING	3TM-6308	1
17	060 02501 70	A010063-00	BALL BEARING	TMB305X77 C3	1
18	060 02501 20	A010062-00	BALL BEARING	6905	1
19	060 02000 20	A010064-00	BALL BEARING	6204	1
20	031 00600 10		DOWEL PIN		4
21	283 16401 03		COLLAR		1
22	060 02501 30	A010059-00	BALL BEARING	TMB205	1
23	257 88901 03		STOPPER PIN		1
*30	283 55002 01		WATER PUMP SHAFT COMPL.	Incl. 31,32	1

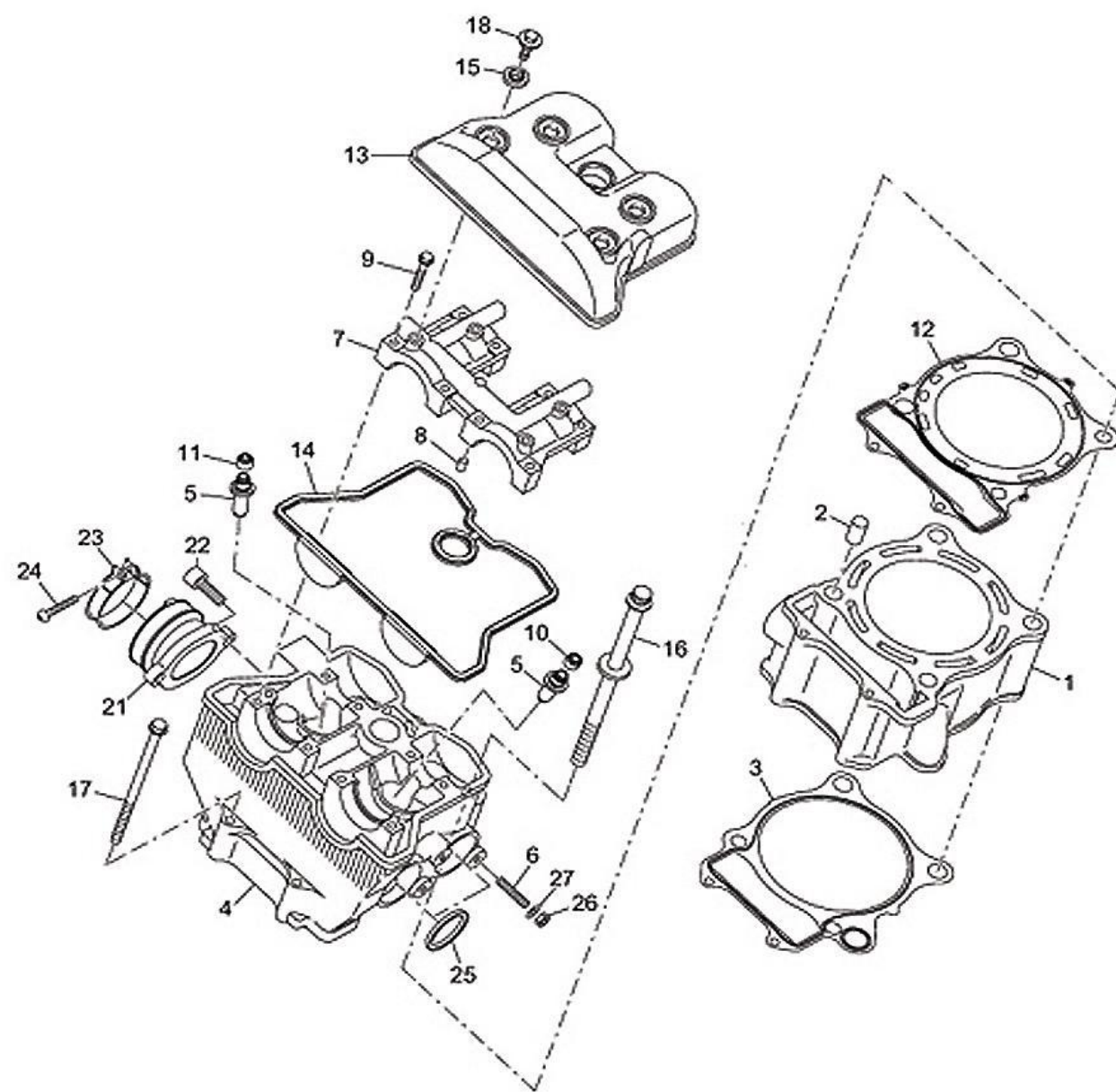
1. CRANKCASE



1. CRANKCASE

Item	Part No.	DL-Part No.	Part Name	Specification	Q'ty
31	060 01200 60	A010058-00	BALL BEARING	6201DU2	1
32	006 26100 90	A040036-00	"O" RING	O-R8.8X1.9	1
33	257 56201 01	A030039-00	MECHANICAL SEAL COMPL.	WF58X13X1.8	1
34	132 97KA0 60		PIPE-AIR BREATHER		1
35	283 15503 03		STOPPER PLATE		1
36	011 90600 90		BOLT (SOCKET HEAD)	M6×16mm	1
37	283 15504 03		STOPPER PLATE B		2
38	011 90600 50		BOLT (SOCKET HEAD)	M6×12mm	2
39	011 00605 20		FLANGE BOLT	M6×40mm	7
40	011 00605 30		FLANGE BOLT	M6×75mm	8
41	283 69301 13		PLUG (MAGNETO)		1
42	021 11400 20		GASKET		1
43	031 51500 10		PIPE KNOCK	For M11	2
44	011 00605 40		FLANGE BOLT	M6×50mm	1

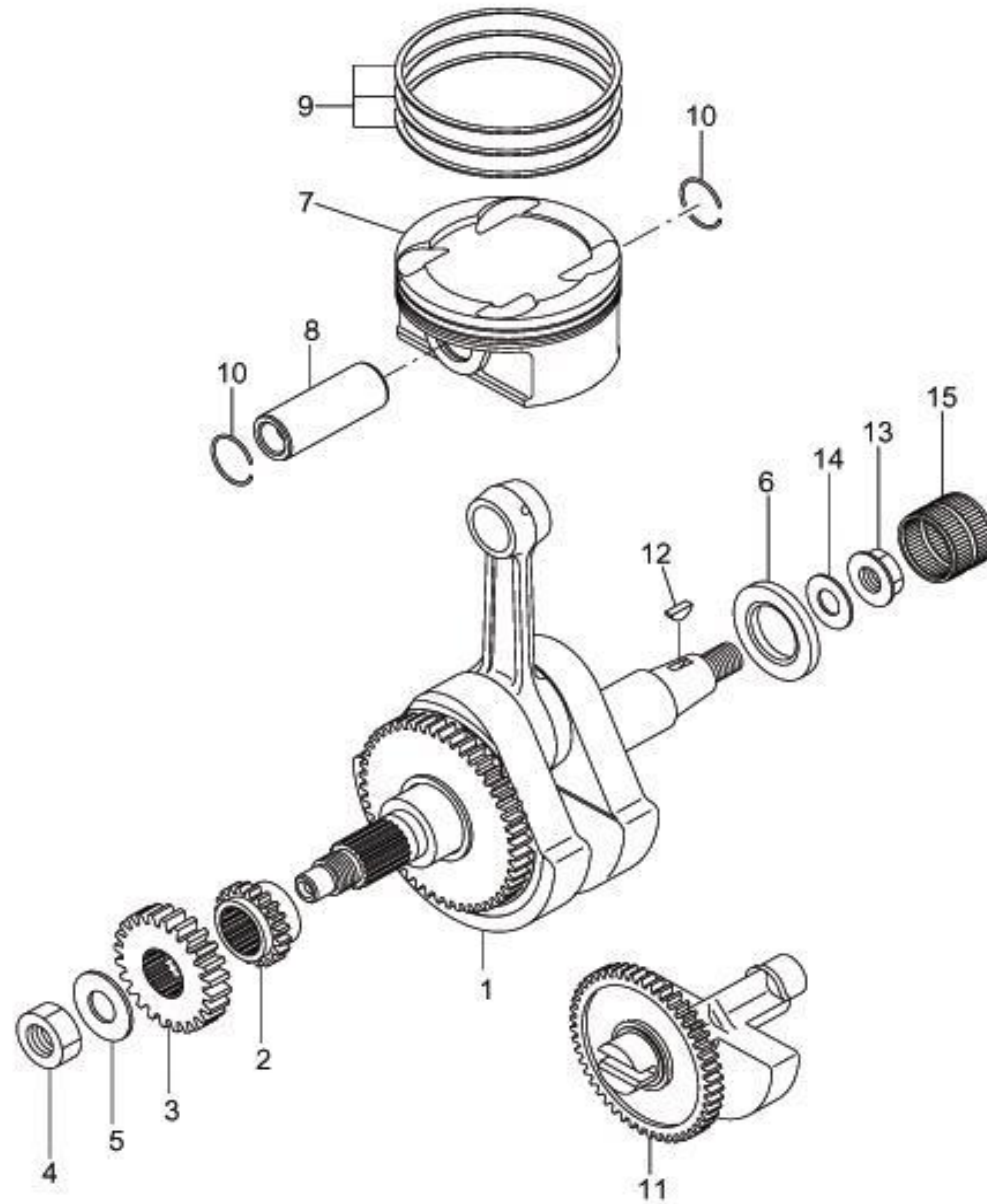
2. CYLINDER



2. CYLINDER

Item	Part No.	DL-Part No.	Part Name	Specification	Q'ty
1	290 12401 01		CYLINDER COMPL.		1
2	031 51500 10		PIPE KNOCK	For M11	2
3	283 15201 13	E140014-00	GASKET (CYLINDER)		1
*4	290 13002 00		CYLINDER HEAD ASSY.	Incl. 5 ~ 11	1
5	283 14202 03		GUIDE VALVE		4
6	010 50804 01		STUD		4
8	980 40081 10		STRAIGHT PIN	For M6	2
9	011 00605 20		FLAGNE BOLT	M6×40mm	8
10	283 16001 03		SEAL-VALVE		2
11	283 15901 03		SEAL-INTAKE VALVE		2
12	290 15102 01	E140006-00	GASKET COMPL. (HEAD)		1
13	290 36301 03		HEAD COVER		1
14	283 36101 13		"O" RING (HEAD COVER)		1
15	283 36001 03		RUBBER MOUNT		4
16	283 16201 03		BOLT AND WASHER ASSY.	M11×198mm	4
17	011 00604 10		FLANGE BOLT	M6×140mm	2
18	283 36201 03		BOLT	M6×14mm	4
21	283 65001 01		ADAPTER COMPL.		1
22	011 90800 20		BOLT(SOCKET HEAD)	M8×20mm	2
*23	283 65901 00		BAND ASSY. (ADAPTER)	Incl. 24	1
24	004 31043 00		SCREW, PANHEAD	M4×30mm	1
25	283 36901 01		GASKET COMPL. (EXHAUST)		2
26	017 20800 20		NUT		4
27	003 20080 00		SPRING WASHER		4

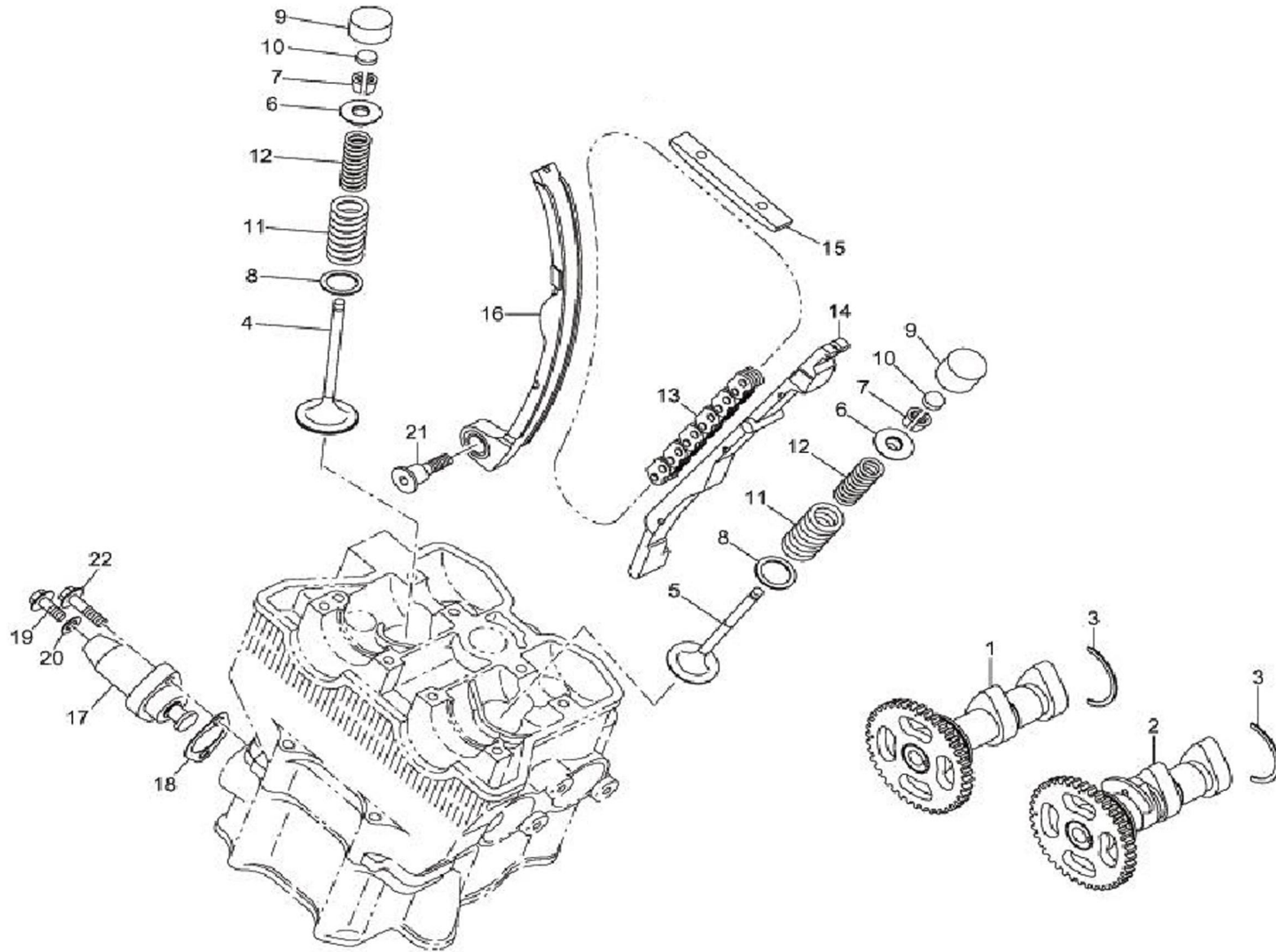
3. CRANKSHAFT & PISTON



3. CRANKSHAFT & PISTON

Item	Part No.	DL-Part No.	Part Name	Specification	Q'ty
1	283 20301 00		CRANKSHAFT ASSY.		1
2	283 35202 03		CRANK SPROCKET		1
3	283 25003 03		PRIMARY GEAR (DRIVE)		1
4	017 01800 50		NUT		1
5	020 01800 40		WASHER		1
6	283 26001 03		SPACER		1
*7	290 23401 07		PISTON SET (STD)	Incl. 7,10	1
8	283 23301 03		PISTON PIN		1
9	290 23501 07	E140007-00	PISTON RING SET (STD)		1
10	056 52300 20		CLIP		2
11	283 24105 01		BALANCER SHAFT COMPL.		1
12	032 30400 70		WOODRUFF KEY		1
13	018 01400 20		FLANGE NUT		1
14	020 01400 30		WASHER		1
15	283 76201 03	A010057-00	NEEDLE BEARING	K30X35X26ZW	1

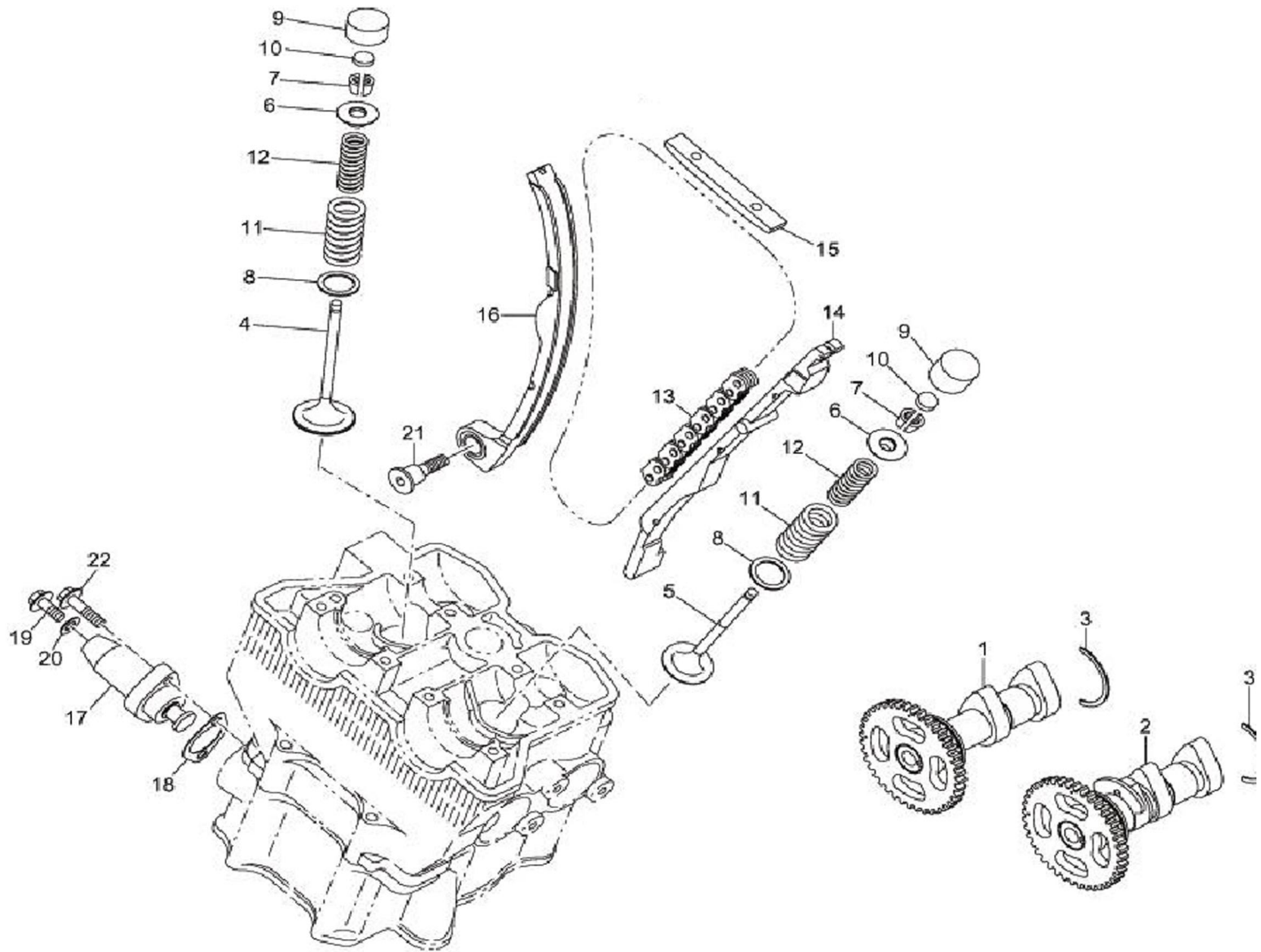
4. INTAKE & EXHAUST



4. INTAKE & EXHAUST

Item	Part No.	DL-Part No.	Part Name	Specification	Q'ty
1	283 31601 01		CAMSHAFT (IN) COMPL.		1
2	283 31602 11		CAMSHAFT (EX) COMPL.		1
3	283 35601 03		BEARING STOPPER		2
4	287 33401 03		INTAKE VALVE		2
5	287 33501 03		EXHAUST VALVE		2
6	283 33701 03		SPRING RETAINER		4
7	132 10AA0 20		COLLET-VALVE		8
8	283 35701 03		SEAT (VALVE SPRING)		4
9	283 35801 03		VALVE LIFTER		4
10	283 35901 03		ADJUSTING PAD	T=1.450	4
10	283 35902 03		ADJUSTING PAD	T=1.500	4
10	283 35903 03		ADJUSTING PAD	T=1.550	4
10	283 35904 03		ADJUSTING PAD	T=1.600	4
10	283 35905 03		ADJUSTING PAD	T=1.625	4
10	283 35906 03		ADJUSTING PAD	T=1.650	4
10	283 35907 03		ADJUSTING PAD	T=1.675	4
10	283 35908 03		ADJUSTING PAD	T=1.700	4
10	283 35909 03		ADJUSTING PAD	T=1.725	4
10	283 35910 03		ADJUSTING PAD	T=1.750	4
10	283 35911 03		ADJUSTING PAD	T=1.775	4
10	283 35912 03		ADJUSTING PAD	T=1.800	4
10	283 35913 03		ADJUSTING PAD	T=1.825	4
10	283 35914 03		ADJUSTING PAD	T=1.850	4
10	283 35915 03		ADJUSTING PAD	T=1.875	4
10	283 35916 03		ADJUSTING PAD	T=1.900	4

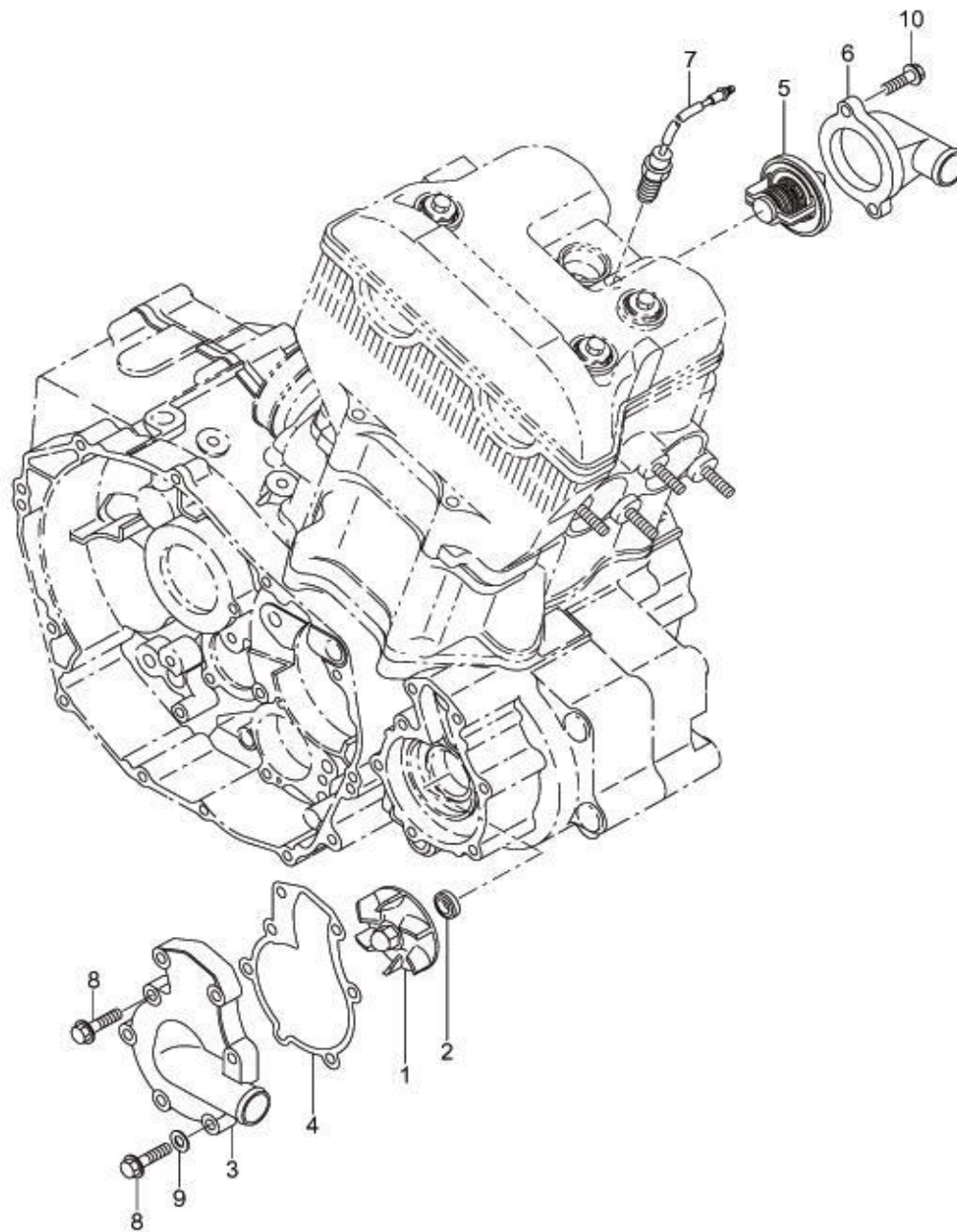
4. INTAKE & EXHAUST



4. INTAKE & EXHAUST

Item	Part No.	DL-Part No.	Part Name	Specification	Q'ty
10	283 35917 03		ADJUSTING PAD	T=1.925	4
10	283 35918 03		ADJUSTING PAD	T=1.950	4
10	283 35919 03		ADJUSTING PAD	T=1.975	4
10	283 35920 03		ADJUSTING PAD	T=2.000	4
10	283 35921 03		ADJUSTING PAD	T=2.025	4
10	283 35922 03		ADJUSTING PAD	T=2.050	4
10	283 35923 03		ADJUSTING PAD	T=2.075	4
10	283 35924 03		ADJUSTING PAD	T=2.100	4
10	283 35925 03		ADJUSTING PAD	T=2.125	4
10	283 35926 03		ADJUSTING PAD	T=2.150	4
10	283 35927 03		ADJUSTING PAD	T=2.200	4
10	283 35928 03		ADJUSTING PAD	T=2.250	4
10	283 35929 03		ADJUSTING PAD	T=2.300	4
11	283 33601 03	A110051-00	VALVE SPRING (OUTER)		4
12	283 33602 03	A110047-00	VALVE SPRING (INNER)		4
13	283 37001 03	E140015-00	TIMING CHAIN		1
14	283 37102 03		CHAIN GUIDE 1		1
15	283 37201 03		CHAIN GUIDE 2		1
16	283 37303 01		LEVER COMPL.		1
17	283 36401 00		TENSIONER ASSY.		1
18	283 36801 03	E140008-00	GASKET (TENSIONER)		1
19	011 00600 10		FLANGE BOLT	M6×8mm	1
20	021 10600 20		GASKET, ALUMINIUM		1
21	283 37401 03		PIVOT BOLT	M8×22.5mm	1
22	011 00602 40		FLANGE BOLT	M6×25mm	2

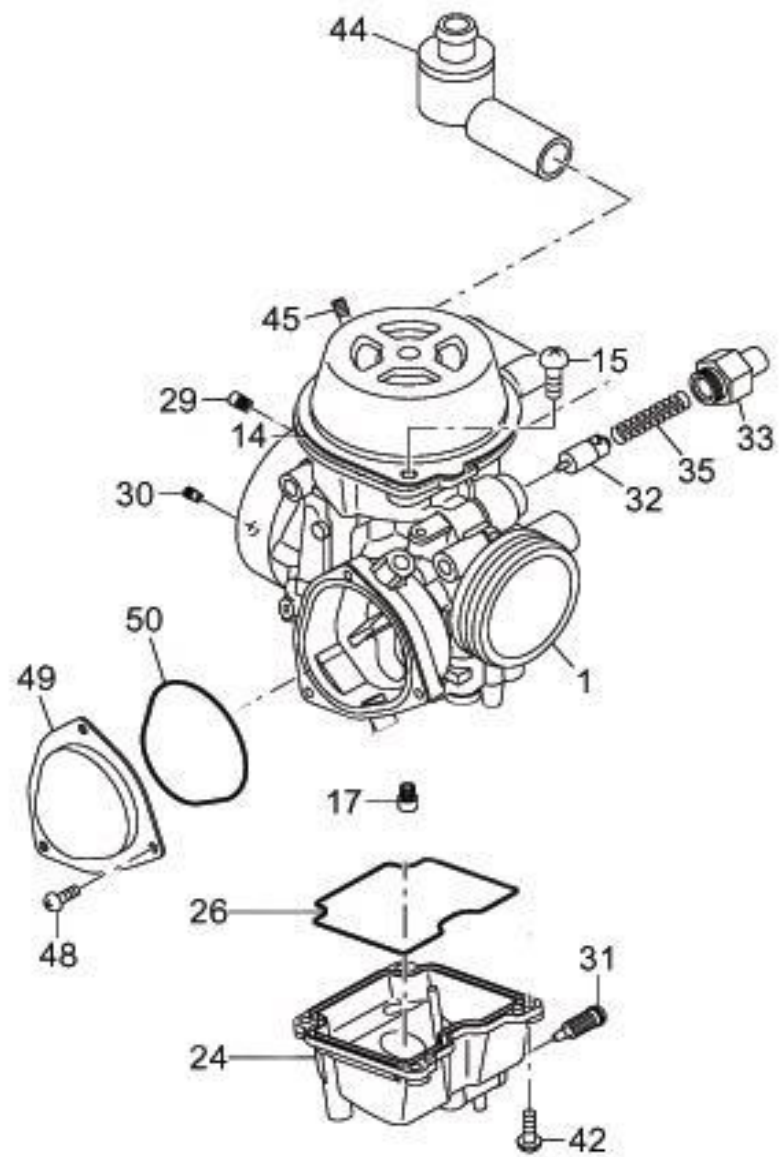
5. WATER PUMP



5. WATER PUMP

Item	Part No.	DL-Part No.	Part Name	Specification	Q'ty
1	283 55102 13		IMPELLER		1
2	021 80600 10		SEAL WASHER		1
3	290 55202 03		WATER PUMP CASE		1
4	283 55602 13	E140009-00	GASKET (WATER PUMP)		1
5	283 56101 01		THERMO STAT COMPL.		1
6	290 55301 03		THERMO COVER		1
7	257 56002 01		THERMO SWITCH COMPL.	110 DEG.	1
8	011 00602 40		FLANGE BOLT	M6×25mm	7
9	021 10600 30		GASKET, COPPER		1
10	011 00602 30		FLANGE BOLT	M6×20mm	2

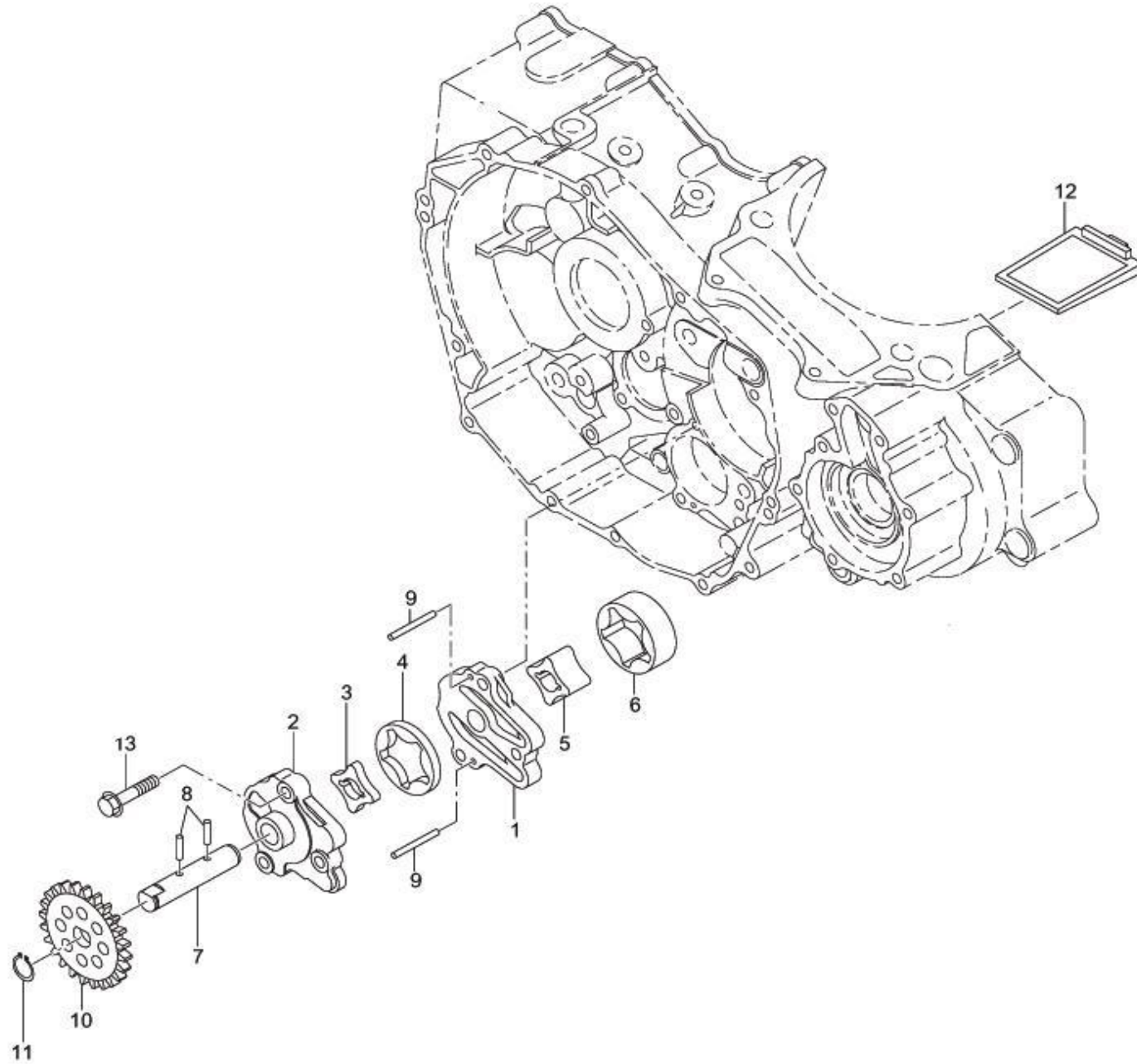
6. CARBURETOR



6. CARBURETOR

Item	Part No.	DL-Part No.	Part Name	Specification	Q'ty
*1	283 62301 20		CARBURETOR ASSY.	Incl. 2 ~ 50,Mark "83L01B'	1
14	283 62355 08		DIAPHRAGM COVER		1
15	212 62361 08		SCREW		2
16	230 62402 08		JET(#42.5)		1
17	113 62303 08		MAIN JET(#150)		1
24	283 62360 08		FLOAT BODY		1
26	283 62362 08		"O"RING		1
27	283 62500 08		NEEDLE VALVE		1
28	283 62300 08		NEEDLE JET		1
29	266 62409 08		JET(#110)		1
30	283 62363 08		JET(#120)		1
31	257 62364 08		SCREW		1
32	257 82373 08		PLUNGER ASSY.		1
33	283 62364 08		GUIDE HOLDER		1
35	106 62460 08		SPRING		1
42	283 62367 08		SCREW		4
44	283 62368 08		FILTER		1
45	248 62410 08		AIR JET		1
48	226 62354 08		SCREW		3
49	260 62365 08		COVER		1
50	260 62364 08		"O"RING		1

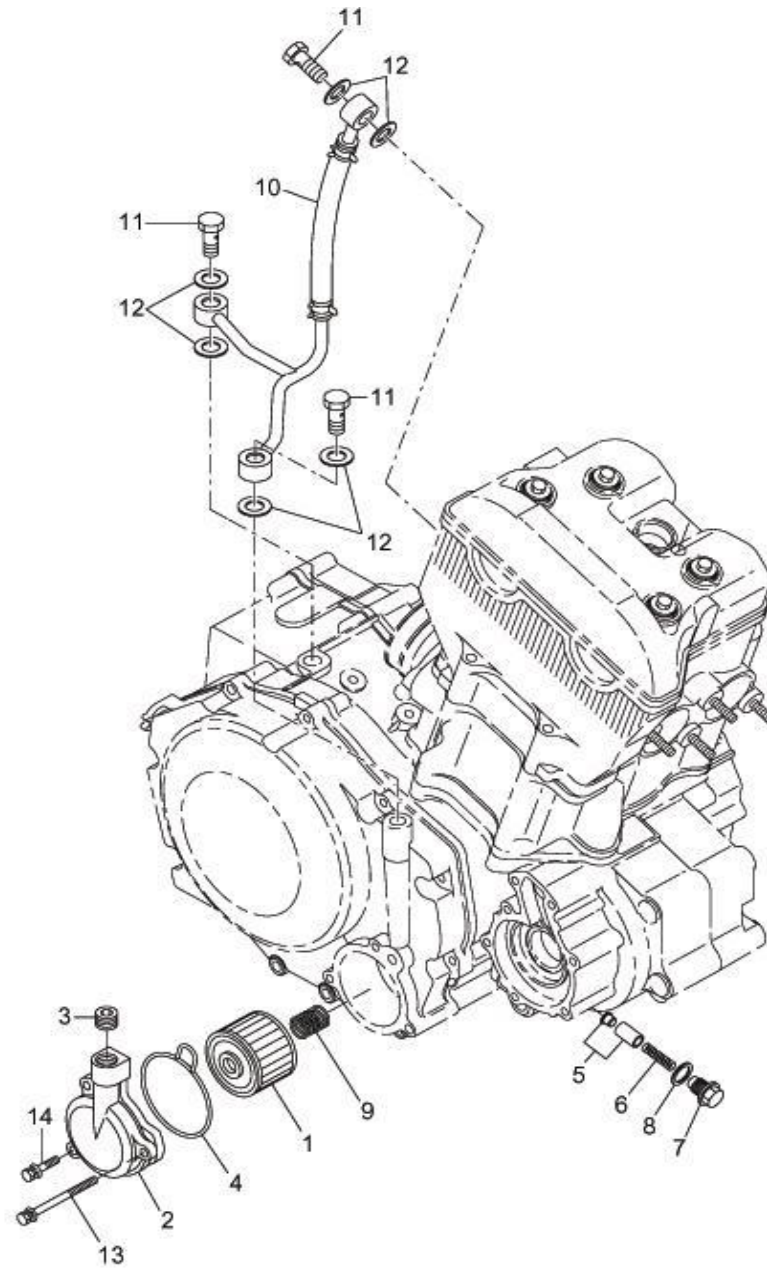
7. OIL PUMP



7. OIL PUMP

Item	Part No.	DL-Part No.	Part Name	Specification	Q'ty
*1	283 65102 00		OIL PUMP ASSY.	Incl. 1 ~ 9	1
1	283 65101 03		OIL PUMP CASE 1		1
2	283 65202 03		OIL PUMP CASE 2		1
3	283 66102 03		INNER ROTOR (FEED)		1
4	283 66202 03		OUTER ROTOR (FEED)		1
5	283 66301 03		INNER ROTOR (SCAV)		1
6	283 66401 03		OUTER ROTOR (SCAV)		1
7	283 65302 03		OIL PUMP SHAFT		1
8	031 00300 30		DOWEL PIN		2
9	031 00300 40		DOWEL PIN		2
10	283 64104 03		OIL PUMP GEAR		1
11	003 15120 00		SNAP RING		1
12	283 65801 02		OIL STRAINER UNIT		1
13	011 00604 20		FLANGE BOLT	M6×30mm	3

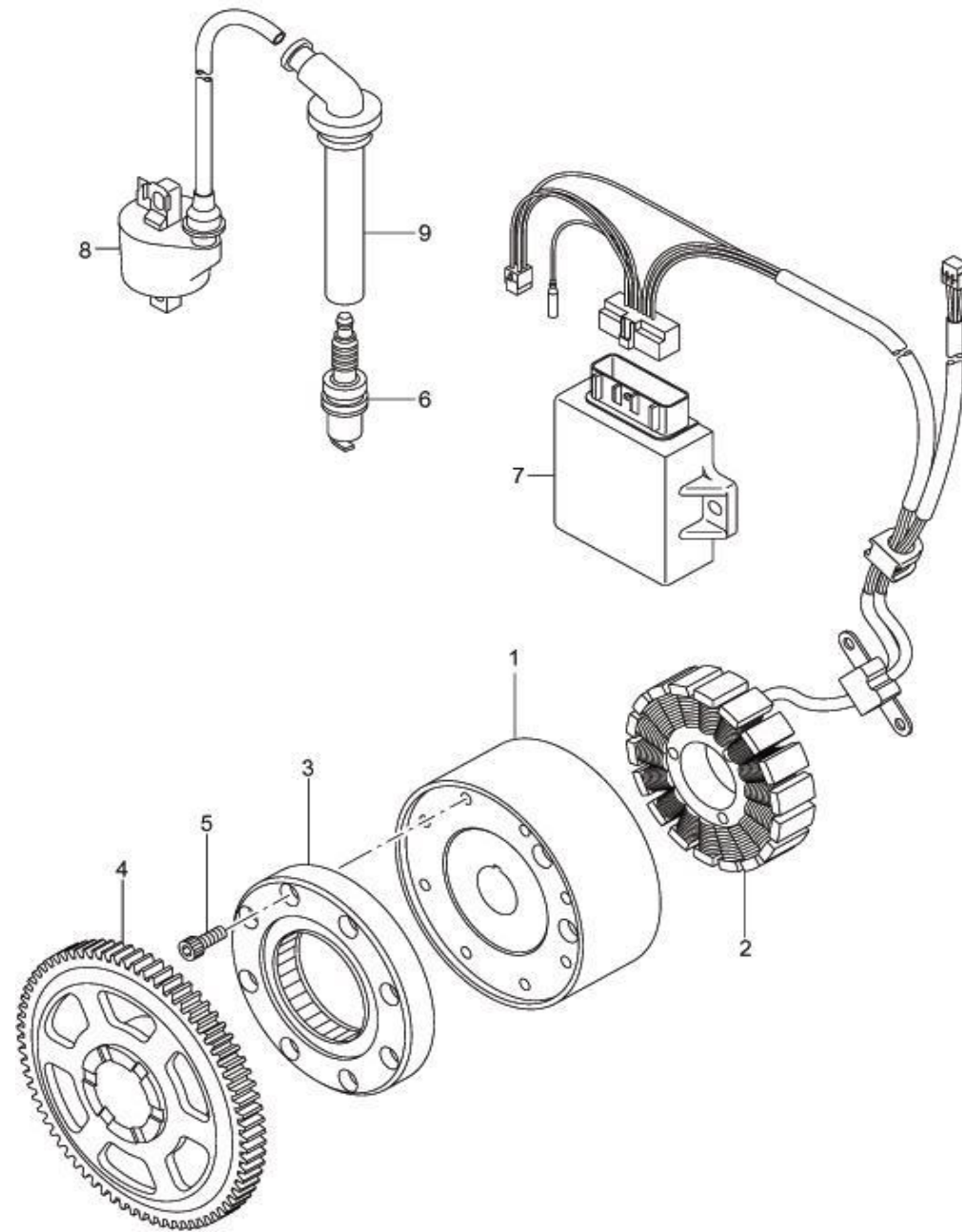
8. OIL FILTER



8. OIL FILTER

Item	Part No.	DL-Part No.	Part Name	Specification	Q'ty
1	283 65401 01		OIL FILTER COMPL.		1
*2	290 65501 00		FILTER COVER ASSY.	Incl. 2,3	1
2	290 65502 01		FILTER COVER COMPL.		1
3	040 31400 10		PLUG	PT1/4	1
4	283 67501 03	E140016-00	"O" RING (FILTER COVER)		1
5	283 66501 00		VALVE (ONE WAY) ASSY.		1
6	283 66601 03		SPRING (ONE WAY VALVE)		1
7	283 66701 03		PLUG (ONE WAY)		1
8	021 11100 10		GASKET, ALUMINUM		1
9	283 65401 03	A110048-00	SPRING (FILTER)		1
10	283 68002 00		OIL DELIVERY PIPE ASSY.		1
11	053 01200 41		BANJO BOLT		3
12	021 11200 50		GASKET		6
13	011 00604 50		FLANGE BOLT	M6×65mm	1
14	011 00602 40		FLANGE BOLT	M6×25mm	2

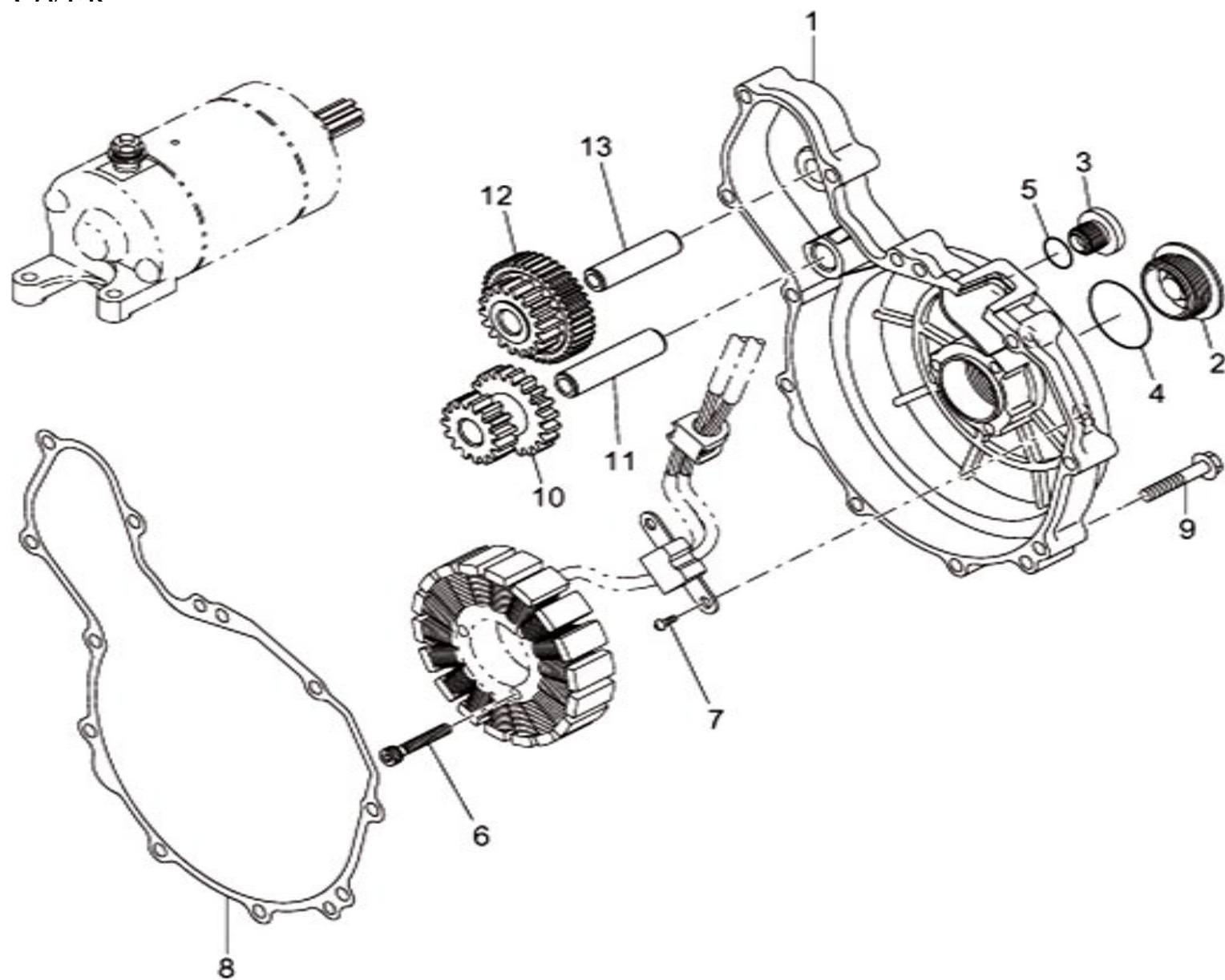
9. MAGNETO



9. MAGNETO

Item	Part No.	DL-Part No.	Part Name	Specification	Q'ty
*1	283 70102 10		MAGNETO ASSY.	Incl. 1,2	1
1	283 70110 08		FLYWHEEL ASSY		1
2	283 70210 08		STATOR ASSY.		1
3	283 75602 00		ONE WAY CLUTCH ASSY.		1
4	283 75501 03		STARTER GEAR		1
5	011 90600 80		BOLT (SOCKET HEAD)	M6×16mm	8
6	065 01407 60		SPARK PLUG	DCPR8E	1
7	283 72202 01		CDI SYSTEM COMPL.		1
8	283 71201 01		IGNITION COIL COMPL.		1
9	283 76301 03		SPARK PLUG CAP		1

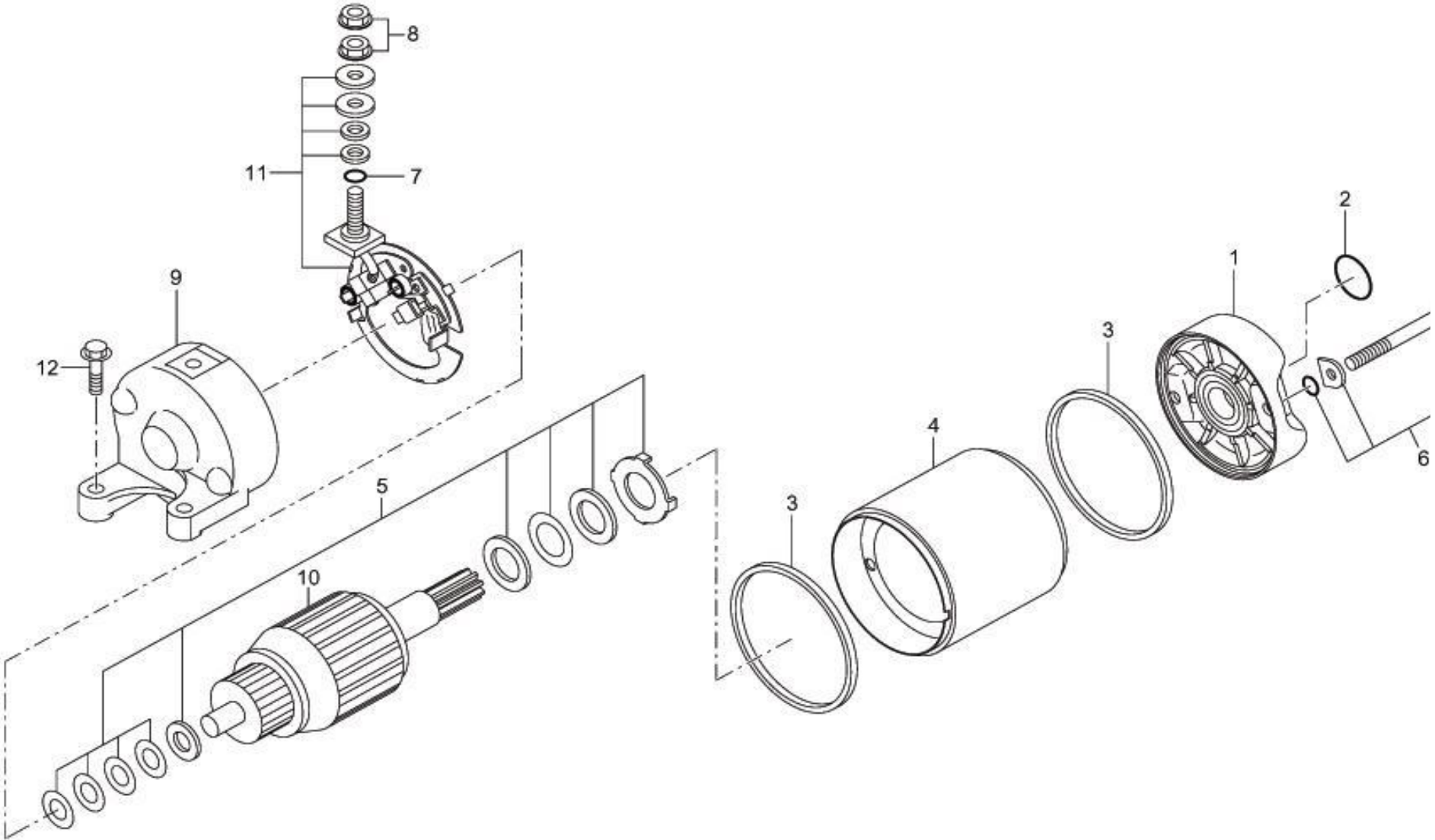
10. MAG COVER



10. MAG COVER

Item	Part No.	DL-Part No.	Part Name	Specification	Q'ty
1	290 71701 01		MAG COVER COMPL.		1
2	283 77101 03	E140010-00	PLUG 1 (MAG COVER)		1
3	283 77201 03	E140011-00	PLUG 2 (MAG COVER)		1
4	024 02700 40	A040038-00	"O" RING	P29-28.7x2.4	1
5	024 01200 10	A040037-00	"O" RING	12.3X2.4	1
6	011 90500 40		BOLT (SOCKET HEAD)	M5×30mm	3
7	004 35051 20		SCREW AND WASHER ASSY.	M5×12mm	2
8	283 75001 13	E140012-00	GASKET (MAG COVER)		1
9	011 00604 30		FLANGE BOLT	M6×35mm	11
10	283 75101 03		REDUCTION GEAR 1		1
11	283 75201 03		SHAFT 1		1
12	283 75301 03		REDUCTION GEAR 2		1
13	283 75401 03		SHAFT 2		1

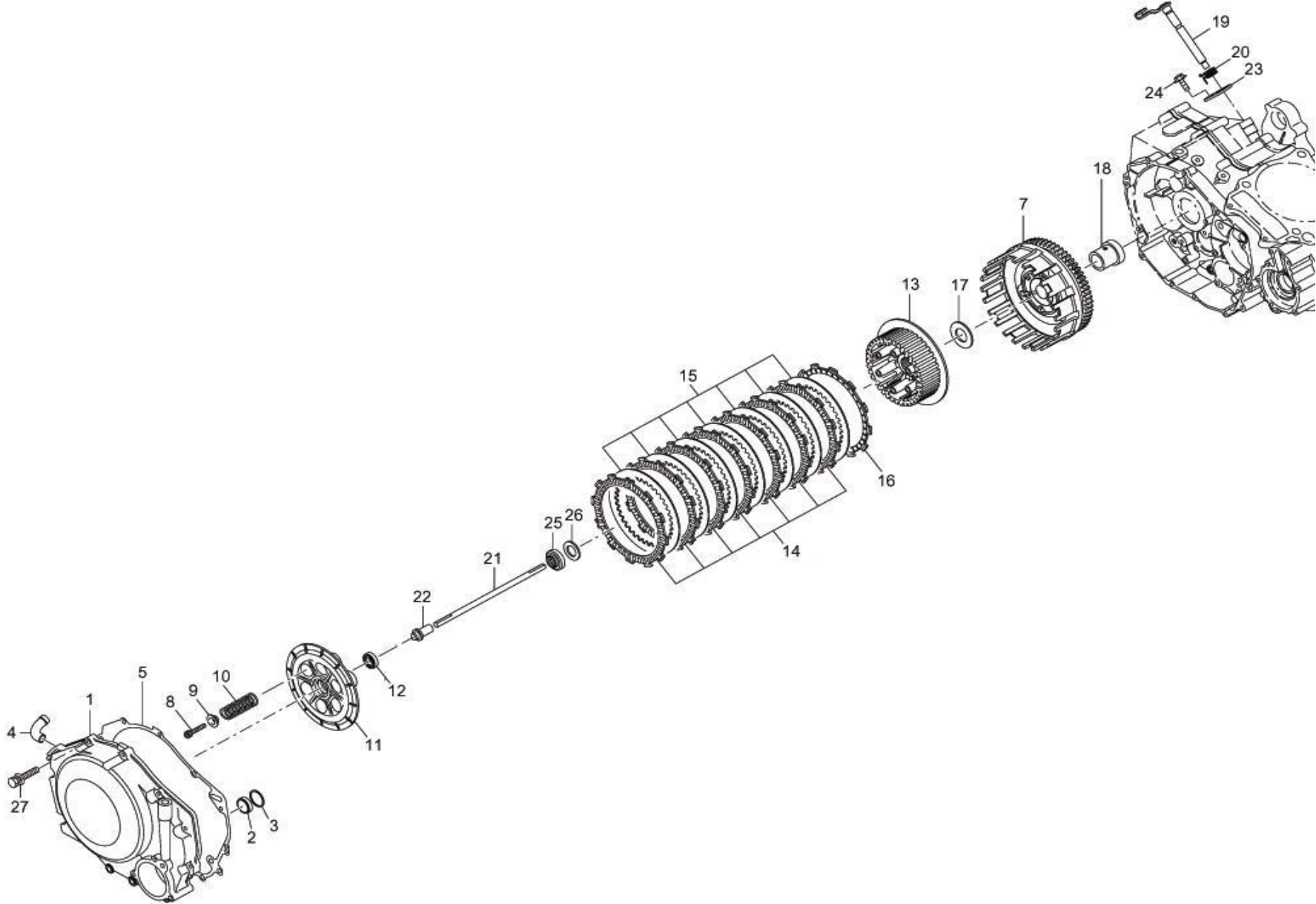
11. STARTING MOTOR




11. STARTING MOTOR

Item	Part No.	DL-Part No.	Part Name	Specification	Q'ty
	283 70501 00		STARTING MOTOR ASSY.	Incl. 1 ~ 11	1
	257 70501 08		FRONT BRACKET ASSY.	Incl. 2	1
	164 70553 08		"O"RING		1
	155 70572 08		RUBBER RING		2
	257 70550 08		WASHER SET		1
	257 70551 08		SET BOLT ASSY.		2
	155 70575 08		"O"RING		3
	155 70554 08		FLANGE NUT		1
	283 70505 08		REAR BRACKET ASSY.		1
	257 70552 08		ARMATURE ASSY.		1
	155 70573 08		CARBON BRUSH SET		1
	011 00602 40		FLANGE BOLT	M6×25mm	2

12. CLUTCH (No. 1)

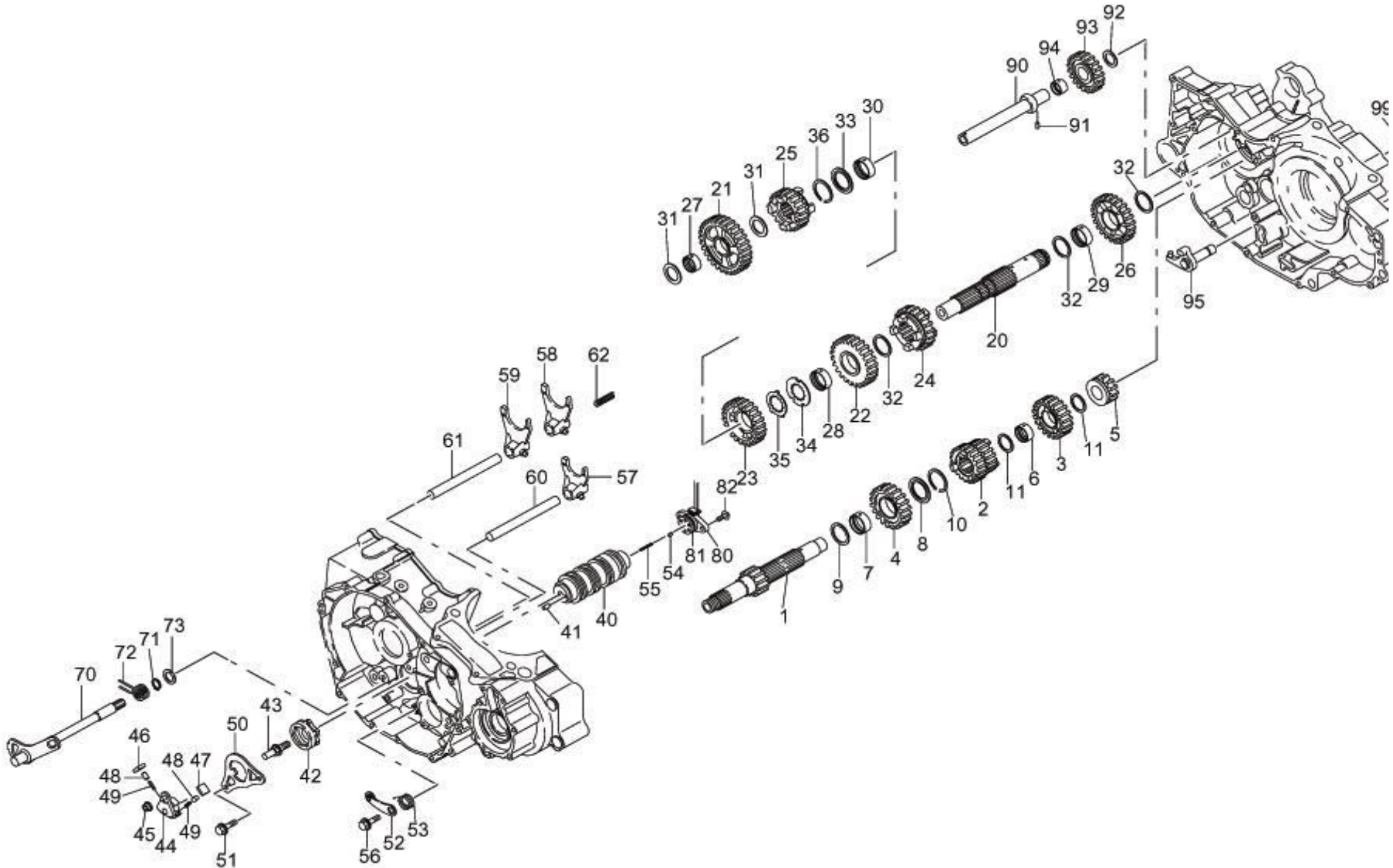


12 CLUTCH (No.1)



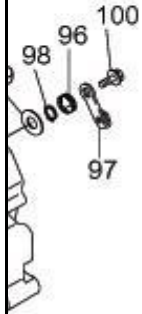
Part No.	DL-Part No.	Part Name	Specification	Q'ty
290 85002 11		CLUTCH COVER COMPL.	Incl. 2 ~ 4	1
283 85101 03	E140017-00	OIL SEAL (CRANK)		1
003 14260 00		SNAP RING, INNER		1
271 38201 01		PIPE COMPL.		1
283 85302 03	E140013-00	GASKET (CLUTCH COVER)		1
283 83903 00		CLUTCH ASSY. (MULTI)	Incl. 7 ~ 17	1
283 83914 08		OUTER COMPL.,CLUTCH		1
283 83903 08		BOLT	M6×35mm	6
283 83905 08		WASHER, CLUTCH SPRING		6
283 83904 08		SPRING (CLUTCH)		6
283 83909 08		DISK, CLUTCH PRESSURE		1
283 83910 08		BALL BEARING		1
283 83902 08		CENTER COMPL.,CLUTCH		1
283 83915 08		DISK A, CLUTCH FRICTION		7
283 83908 08		PLATE, CLUTCH		7
283 83907 08		DISK B, CLUTCH FRICTION		1
283 83913 08		WASHER,THRUST		1
283 85502 03		DISTANCE COLLAR		1
283 85601 01		RELEASE SHAFT COMPL.		1
283 85701 03	A110049-00	SPRING (RELEASE)		1
283 85802 03		PUSH ROD		1
283 85901 03		PUSHER		1
283 86102 03		PLATE (RELEASE SHAFT)		1
283 980 35180 20		LOCK WASHER		1
27 011 00602 40		FLANGE BOLT	M6×25mm	11

13. CLUTCH (No.2)

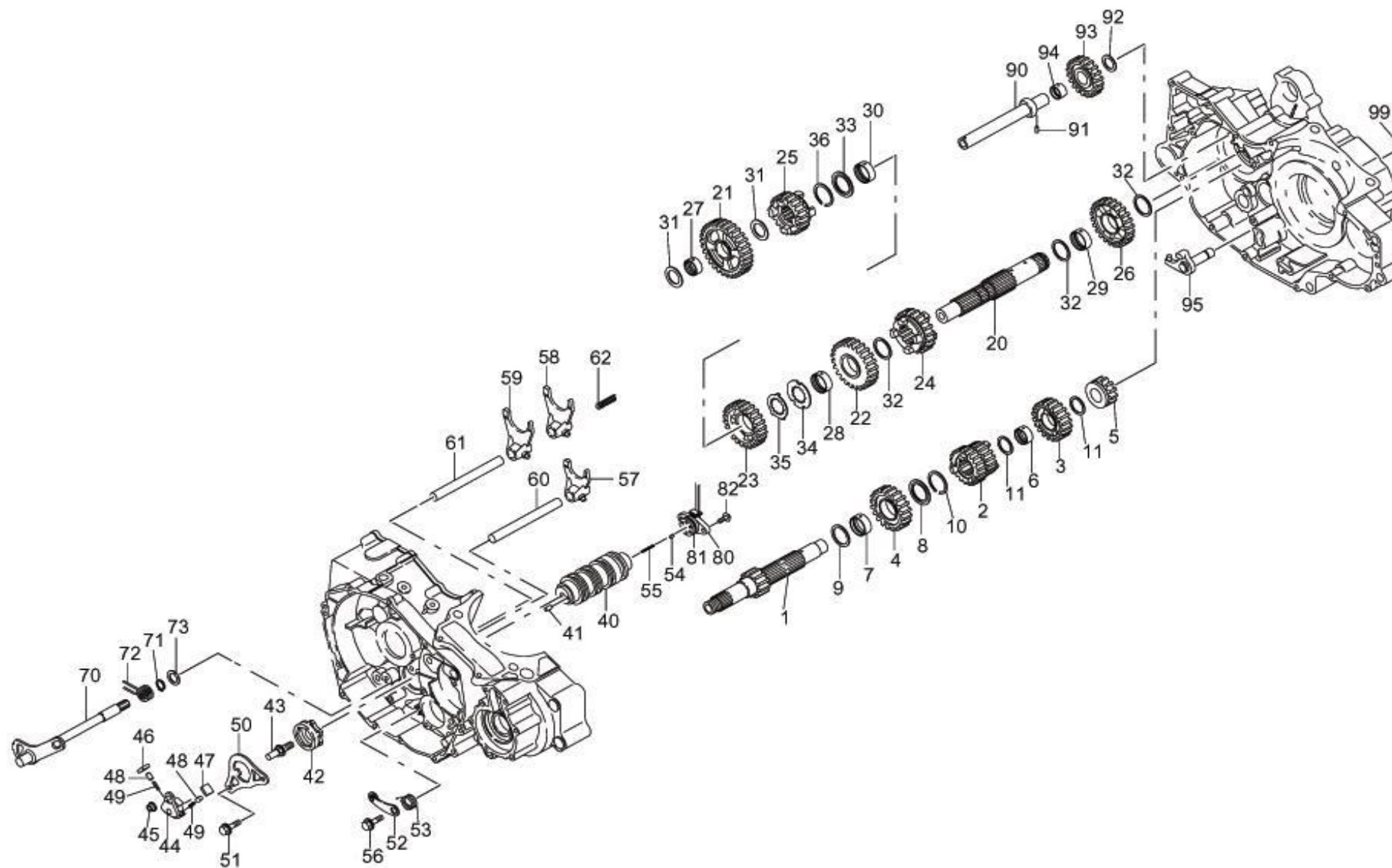


13. CLUTCH (No.2)

Part No.	DL-Part No.	Part Name	Specification	Q'ty
283 86202 00		MAIN SHAFT ASSY.	Incl. 1 ~ 11	1
283 86202 01		MAIN SHAFT COMPL.		1
283 82208 03		GEAR (2ND,3RD DRIVE)		1
283 82212 03		GEAR (4TH DRIVE)		1
283 82213 03		GEAR (5TH DRIVE)		1
283 82211 03		REVERSE GEAR (DRIVE)		1
283 86406 03		COLLAR		1
283 86405 03		COLLAR		1
283 86701 03		SPLINE WASHER		1
283 86802 03		WASHER		1
283 86901 03		CLIP		1
283 86804 03		WASHER		2
283 87002 00		COUNTER SHAFT ASSY.	Incl. 20 ~ 36	1
283 87002 01		COUNTER SHAFT COMPL.		1
283 82106 03		GEAR (1ST DRIVEN)		1
283 82107 03		GEAR (2ND DRIVEN)		1
283 82108 03		GEAR (3RD DRIVEN)		1
283 82109 03		GEAR (4TH DRIVEN)		1
283 82110 03		GEAR (5TH DRIVEN)		1
283 82111 03		REVERSE GEAR (DRIVEN)		1
283 86403 03		COLLAR		1
283 86409 03		COLLAR		1
283 86405 03		COLLAR		1

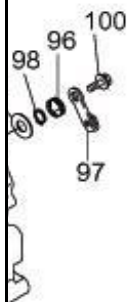


13 CLUTCH (№ 2)

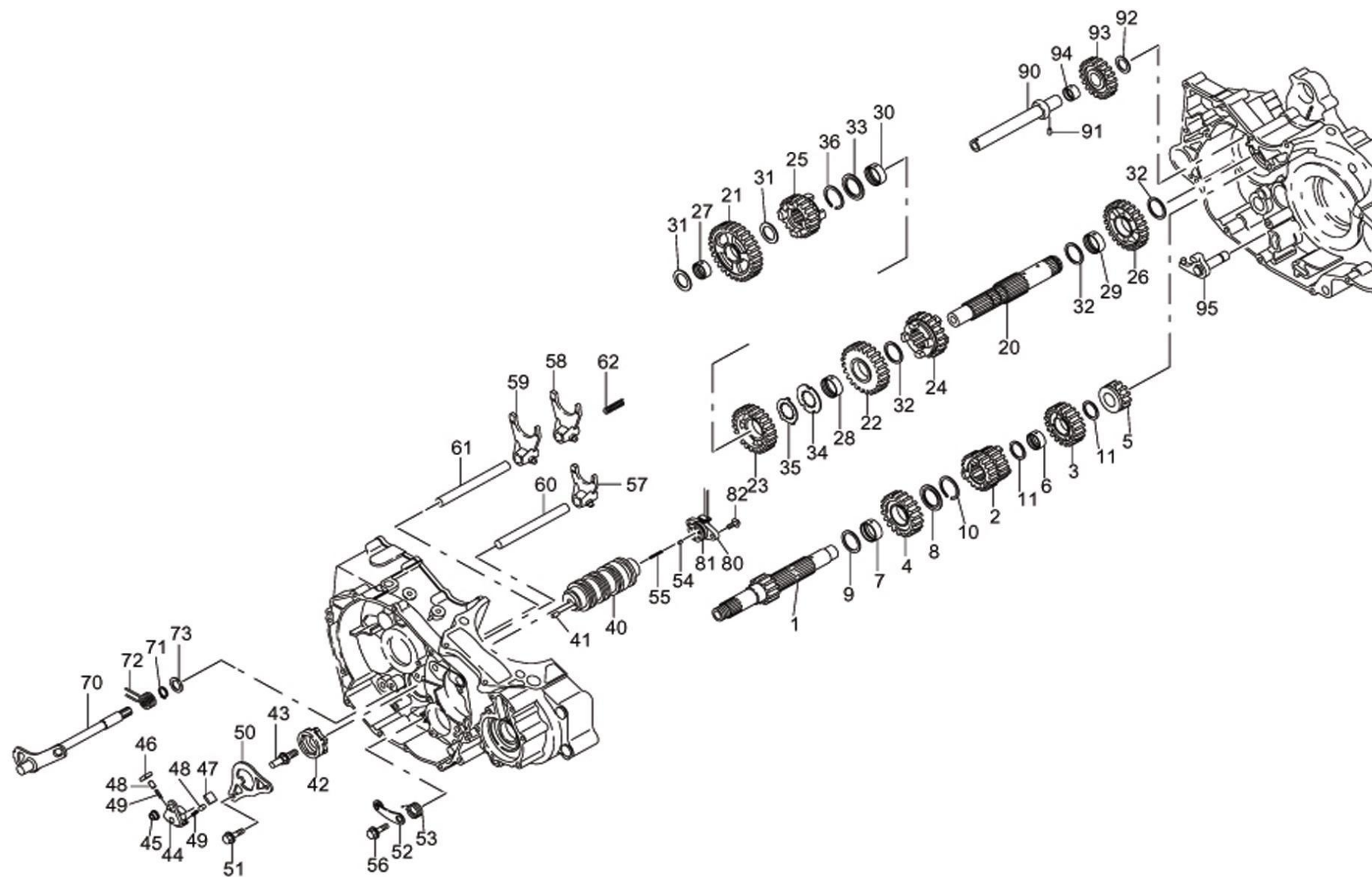


13 CLUTCH (No.2)

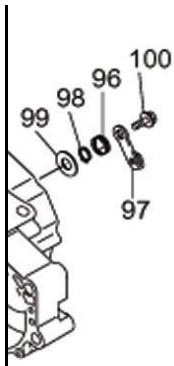
Part No.	DL-Part No.	Part Name	Specification	Q'ty
283 86407 03		COLLAR (SPLINE)		1
283 86803 03		WASHER		2
283 87402 03		WASHER		3
283 86701 03		SPLINE WASHER		1
283 86801 03		WASHER		1
283 86702 03		LOCK WASHER		1
283 86901 03		CLIP		1
283 87602 01		SHIFT DRUM COMPL.	Incl. 41	1
283 87801 03		DOWEL PIN		1
283 87702 03		SHIFT CAM		1
283 8B001 03		SHIFTER PIN		1
283 8B102 03		DRUM SHIFTER		1
283 8B201 03		SHIFTER COLLAR		1
283 8B301 03		RATCHET PAWL A		1
283 8B401 03		RATCHET PAWL B		1
283 8B501 03		PAWL PLUNGER		2
283 8B601 03		SPRING (PLUNGER)		2
283 8B701 03		GUIDE PLATE		1
011 00604 70		FLANGE BOLT	M6×20mm	2
283 8C301 01		STOPPER ARM COMPL.		1
283 88005 13	A110046-00	SPRING (STOPPER)		1
283 88101 03		POINT (NEUTRAL)		1
283 88201 03		SPRING (POINT)		1



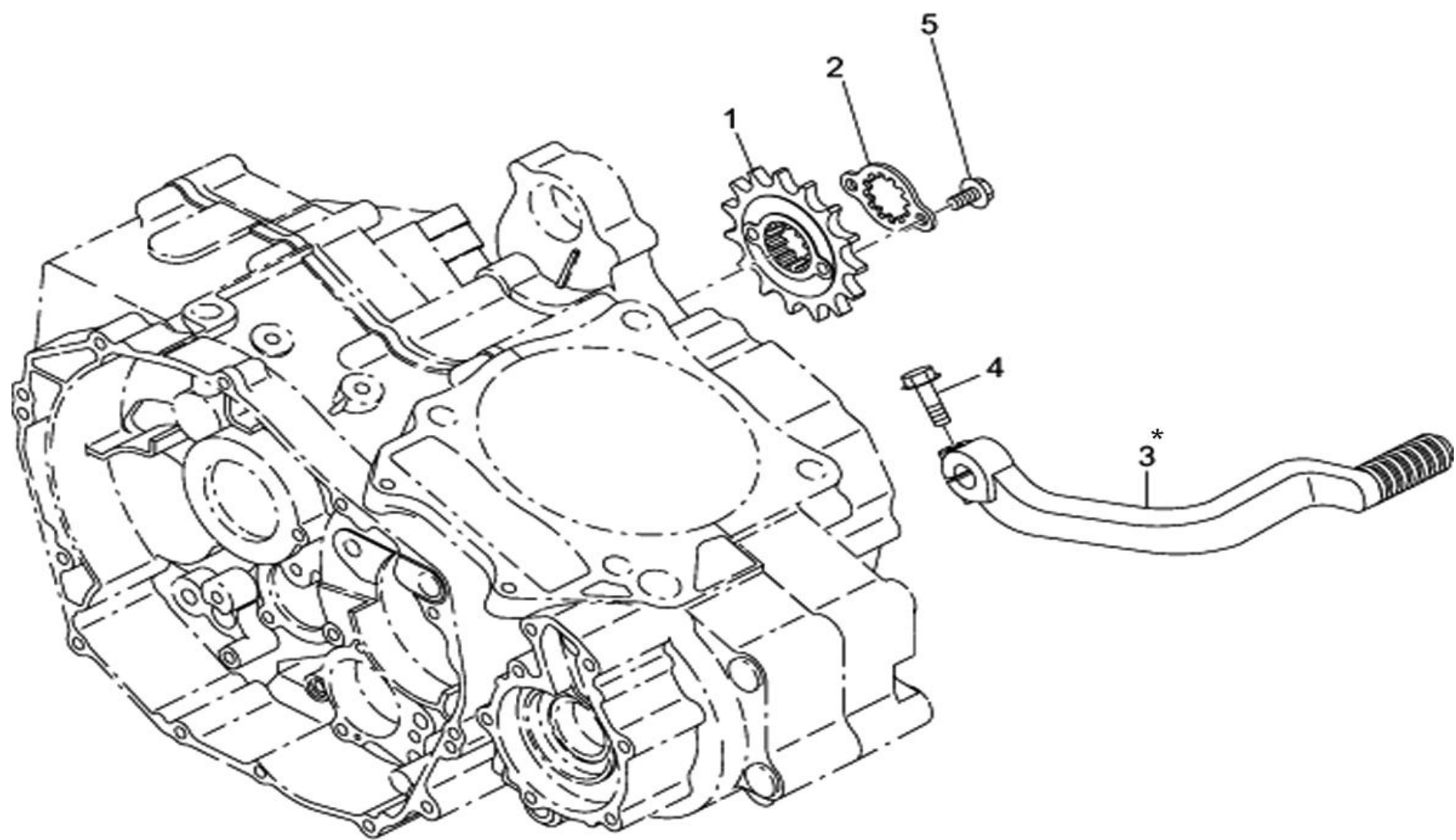
13.0



'CH (No.2)



Part No.	DL-Part No.	Part Name	Specification	Q'ty
283 89906 03		BOLT (STOPPER)		1
283 88410 03		SHIFT FORK (MAIN)		1
283 88411 03		SHIFT FORK (LEFT)		1
283 88412 03		SHIFT FORK (RIGHT)		1
283 88505 03		FORK SHAFT		1
283 88506 03		FORK SHAFT		1
283 88601 03		SPRING (FORKSHAFT)		1
283 8C002 01		SHIFT SHAFT COMPL.	Incl. 71,72	1
283 86902 03		SNAP RING		1
283 8C201 03	A110050-00	RETURN SPRING		1
283 86807 03		WASHER		1
283 89304 00		SWITCH (POSITION) ASSY.	Incl. 81	1
024 02100 10		"O" RING		1
013 10500 30		SCREW AND WASHER ASSY.	M5×20mm	2
283 8A001 01		REVERSE SHAFT COMPL.	Incl. 91 ~ 94	1
283 87801 03		DOWEL PIN		1
283 86805 03		WASHER		1
283 8A101 03		REVERSE IDELE GEAR		1
283 86408 03		COLLAR		1
283 8A201 01		REVERSE ARM COMPL.		1
283 8A401 03		REVERSE ARM SPRING		1
283 8A301 03		REVERSE ARM LEVER		1
003 15120 00		SNAP RING		1
99		WASHER		1
100		FLANGE BOLT	M6×12mm	1



14. COVER(CHAIN)

Item	Part No.	DL-Part No.	Part Name	Specification	Q'ty
1	283 89603 03		SPROCKET 14T		1
2	283 89702 03		FIXING PLATE		1
3	283 89802 01		SHIFT PEDAL COMPL.		1
*	F170068-00		SHIFT PEDAL COMPL.		1
4	011 00602 40		FLANGE BOLT	M6×25mm	1
5	011 00604 40		FLANGE BOLT	M6×12mm	2