

ENGINE



E06 ENGINE

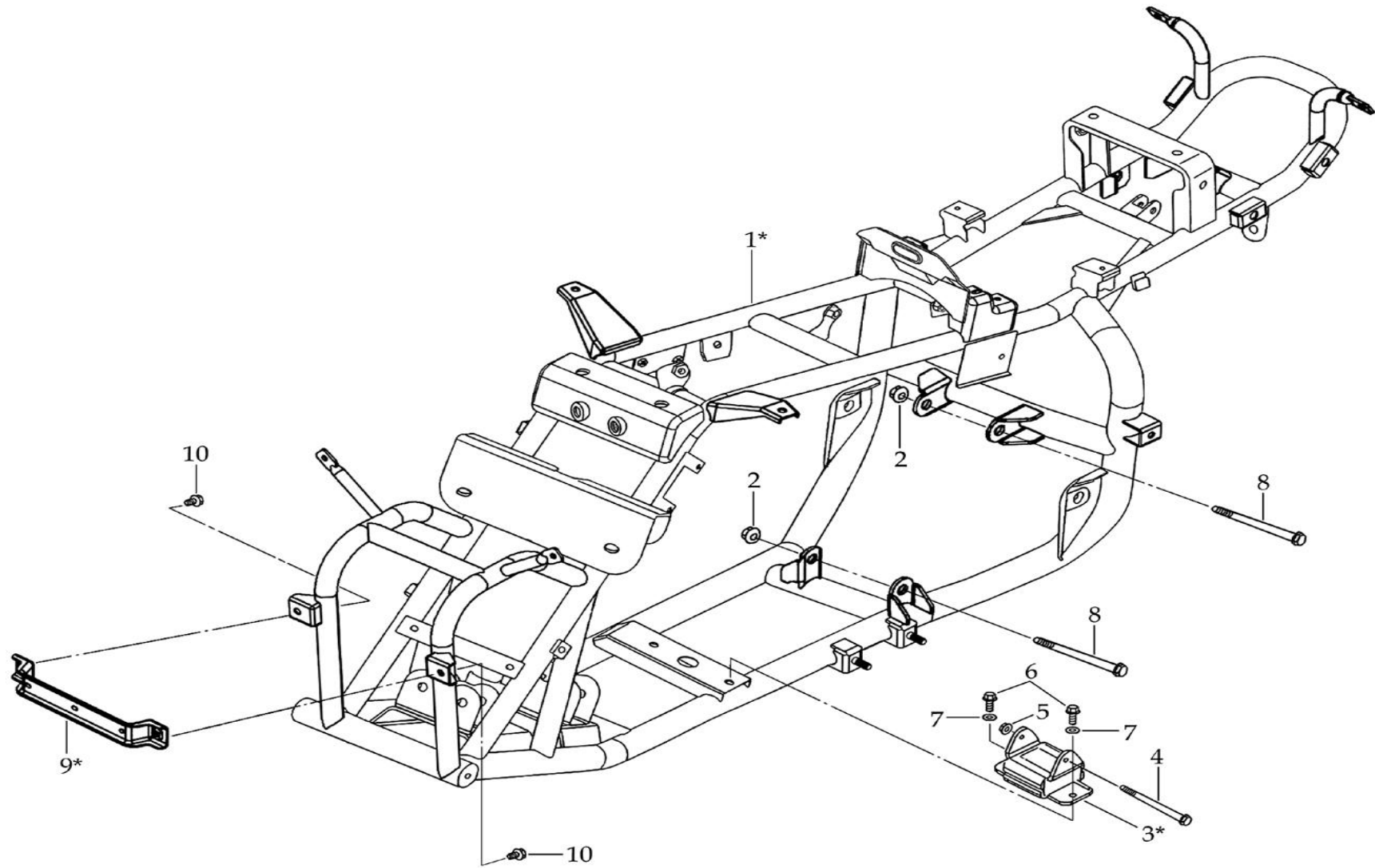


E02 ENGINE

ENGINE

Model	Item	Part no	Description	Specification	Quantity
50cc.	01	E060000A01	E06 ENGINE	L/R.GEAR+S , WJ , 16T	1
	*	E060000A02	E06 ENGINE	L.GEAR+S , WJ , 16T	1
	*	E060000A03	E06 ENGINE	L.GEAR , WFZ , 16T	1
	*	E060000A25	E06 ENGINE	L/R.GEAR , WFZ , 16T	1
	*	E060000A29	E06 ENGINE	L.GEAR+S , WFZ , 16T	1
	*	E060000A30	E06 ENGINE	L/R.GEAR+S , WFZ , 16T	1
90cc.	02	E060000A06	E06 ENGINE	L/R.GEAR+S , WFZ , 16T	1
110cc.	03	E060000A11	E06 ENGINE	H/R.GEAR+S , WJ , 16T	1
	*	E060000A12	E06 ENGINE	H.GEAR+S , WJ , 16T	1
	*	E060000A18	E06 ENGINE	H/R.GEAR , WJ , 16T	1
	*	E060000A23	E06 ENGINE	H.GEAR+S , WFZ , 16T	1
	*	E060000A24	E06 ENGINE	H.GEAR , WFZ , 16T	1
	*	E060000A32	E06 ENGINE	H/R.GEAR+S , WFZ , 16T	1
	*	E060000A33	E06 ENGINE	H/R.GEAR , WFZ , 16T	1
150cc.	04	E020000A01	E02 ENGINE	H/R.GEAR+S , WVF , 16T	1

FRAME

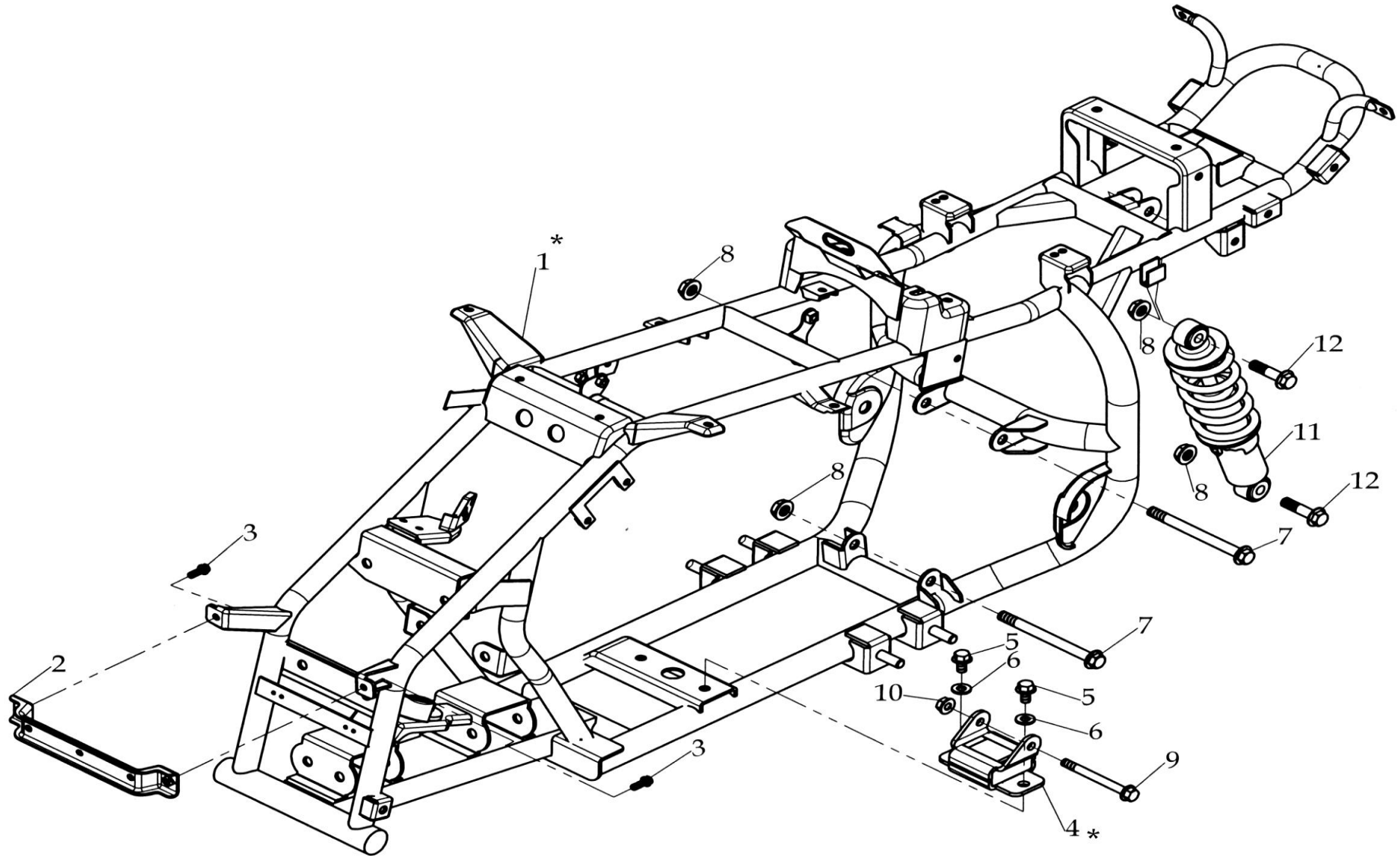


D1003-021A

FRAME

Model	Item	Part no	Description	Specification	Quantity
E06	01	F040076-48	FRAME		1
E02	*	F040102-48	FRAME		1
	02	A060007-41	INSERT LOCK NUT	M10X1.25	2
E06	03	F020130-00	DAMPER , ENGINE		1
E02	*	F020404-00	DAMPER , ENGINE		1
	04	A050012-41	HEX WASHER FACE BOLT	M8X1.25X80L	1
	05	A060014-41	INSERT LOCK NUT	M8X1.25	1
	06	A050057-41	HEX WASHER FACE BOLT	M8X1.25X15L	2
	07	A080012-41	SPRING WASHER	Ø8.2X3.2X2t	2
	08	A050068A41	HEX WASHER FACE BOLT	M10X1.25X115L	2
	09	F040012-50	BUMPER BRACKET	BLACK	1
	10	A050023-41	HEX WASHER FACE BOLT	M6X1.0X16L	2

FRAME(Dual A-arm)

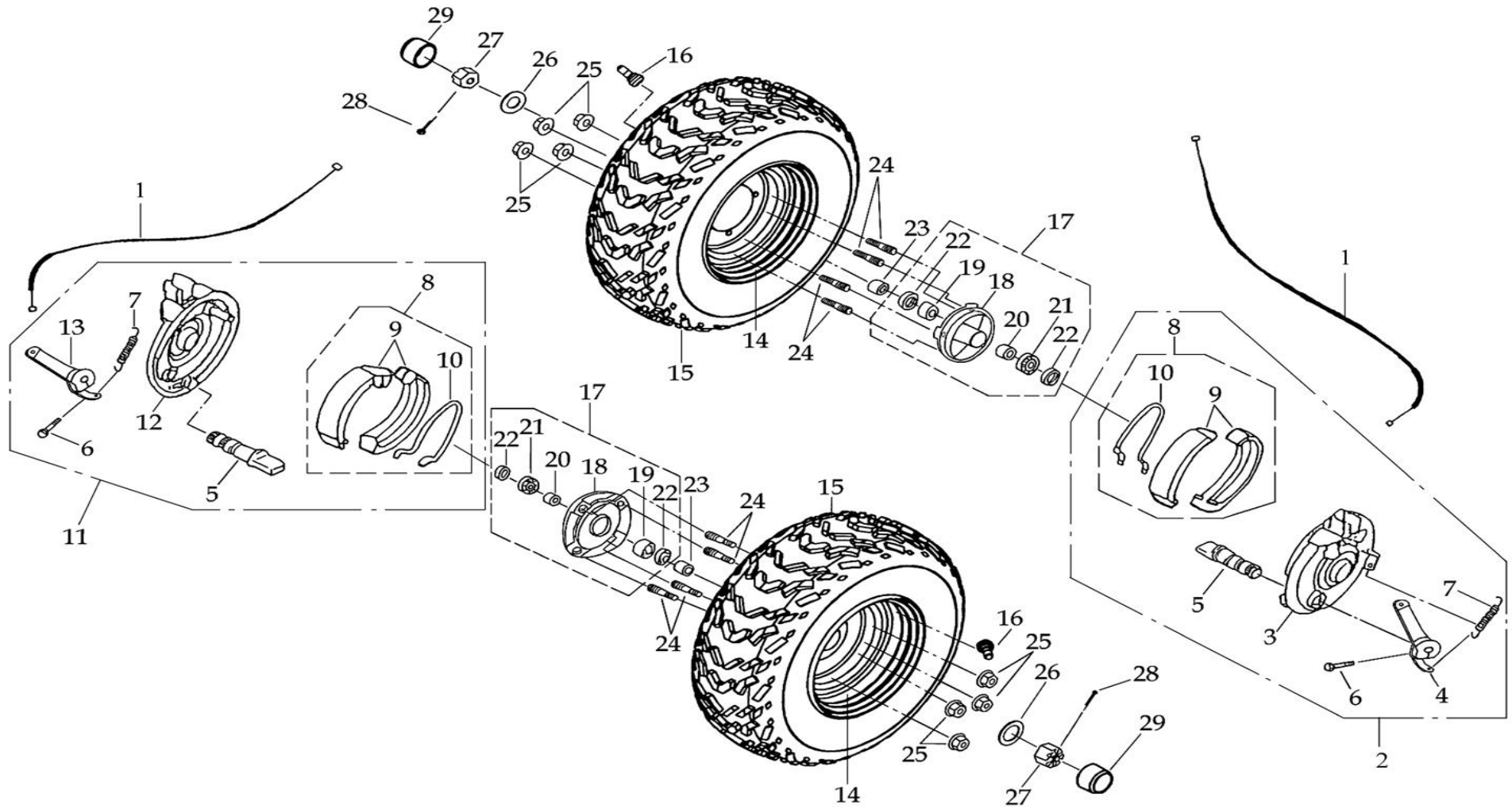


D1003-031A

FRAME(Dual A-arm)

Model	Item	Part no	Description	Specification	Quantity
E06	01	F040144	FRAME		1
E02	*	F040145	FRAME		1
	02	F040012-50	BUMPER BRACKET		1
	03	A050023-41	HEX WASHER FACE BOLT	M6X1.0X16L	2
E06	04	F020130-00	DAMPER , ENGINE		1
E02	*	F020404-00	DAMPER , ENGINE		1
	05	A050057-41	HEX WASHER FACE BOLT	M8X1.25X15L	2
	06	A080012-41	SPRING WASHER	Ø8.2X3.2X2t	2
	07	A050068A41	HEX WASHER FACE BOLT	M10X1.25X115L	2
	08	A060007-41	INSERT LOCK NUT	M10X1.5	4
	09	A050012-41	HEX WASHER FACE BOLT	M8X1.25X80L	1
	10	A060014-41	INSERT LOCK NUT	M8X1.25	1
	11	F020280-00	REAR SUSPENSION	260mm	1
	12	A050001-41	HEX WASHER FACE BOLT	M8X1.25X40L	2

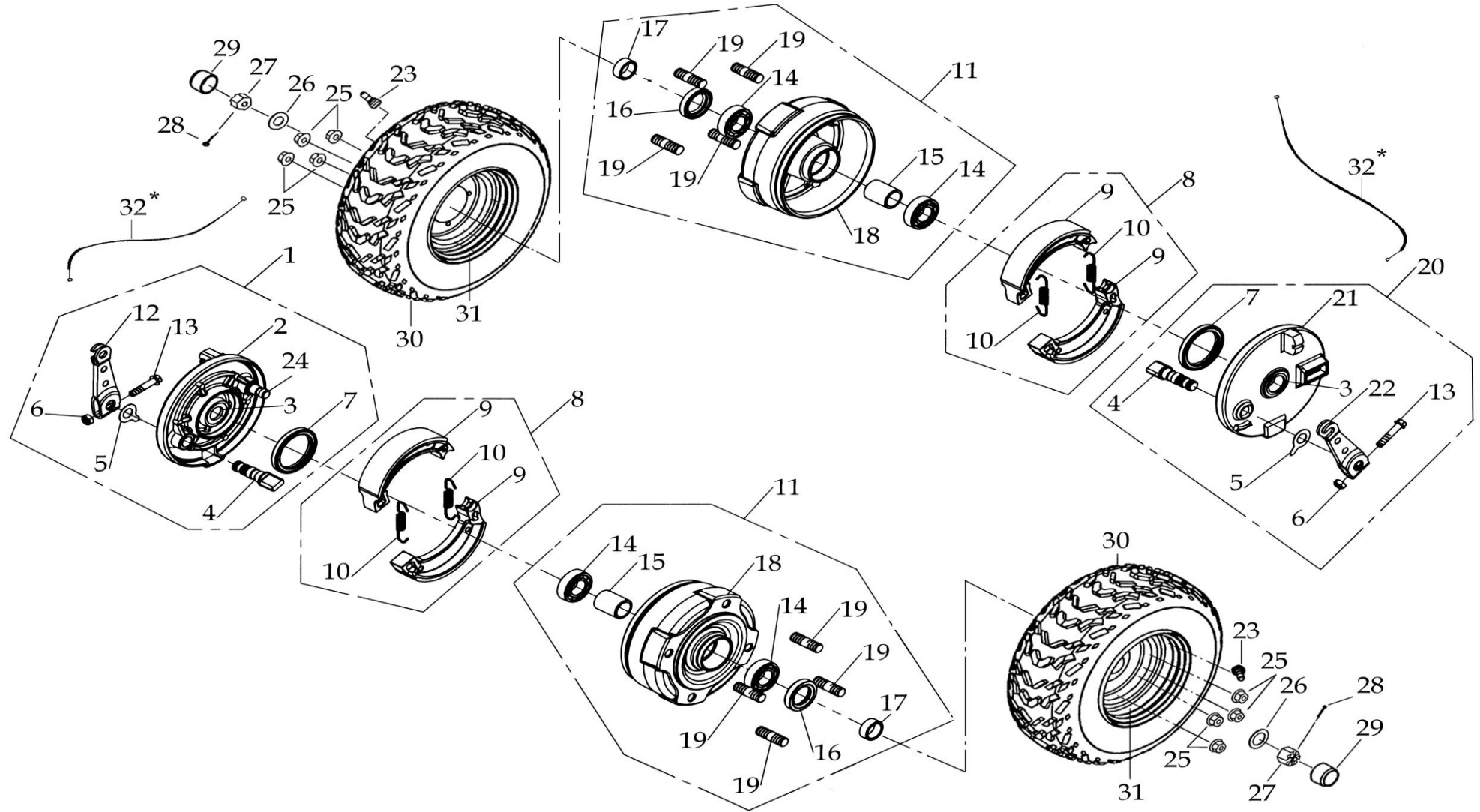
FRONT WHEEL(7" TIRE)



FRONT WHEEL(7" TIRE)

Model	Item	Part no	Description	Specification	Quantity
	01	F020163-00	FRONT BRAKE CABLE		2
	02	F020284-00	BRAKE PLATE ASSEMBLY	RIGHT SIDE	1
	03		FRONT BRAKE PLATE	RIGHT SIDE	1
	04		FRONT BRAKE ARM	RIGHT SIDE	1
	05		FRONT BRAKE CAM SHAFT		2
	06		HEX WASHER FACE BOLT	M5X0.8X24L	2
	07		STRAIN SPRING		2
	08	F020296-00	BRAKE SHOE ASSEMBLY	Ø85	2
	09		FRONT BRAKE SHOE	Ø85	2
	10		FRONT RETURN SPRING		2
	11	F020283-00	BRAKE PLATE ASSEMBLY	LEFT SIDE	1
	12		FRONT BRAKE PLATE	LEFT SIDE	1
	13		FRONT BRAKE ARM	LEFT SIDE	1
	14	F020249-49	WHEEL RIM	7X5"	2
	15	F020149-01	TIRE	16X8-7"	2
	16	F020154-00	RIM VALVE		2
	17	F020282-00	BRAKE DRUM ASSEMBLY		2
	18		FRONT BRAKE DRUM		2
	19	A010007-00	BEARING	6002ZZ	2
	20	F020191-42	COLLAR	Ø15XØ21.7X15L	2
	21	A010005-00	BEARING	6002ZZ	2
	22	A030002-00	OIL SEAL	Ø22XØ35X7	4
	23	F020316-00	COLLAR	Ø17XØ22X9.5L	2
	24	A140002-41	STUD BOLT	M10X1.25X32L	8
	25	A060007-41	INSERT LOCK NUT	M10X1.25	8
	26	A080001-42	PLAIN WASHER	Ø14.2XØ40X4.5t	2
	27	A060026-42	CASTELLAED NUT	M14X1.5	2
	28	A070002-41	PIN	3.2X32L	2
	29	F020153-00	RUBBER CAP		2

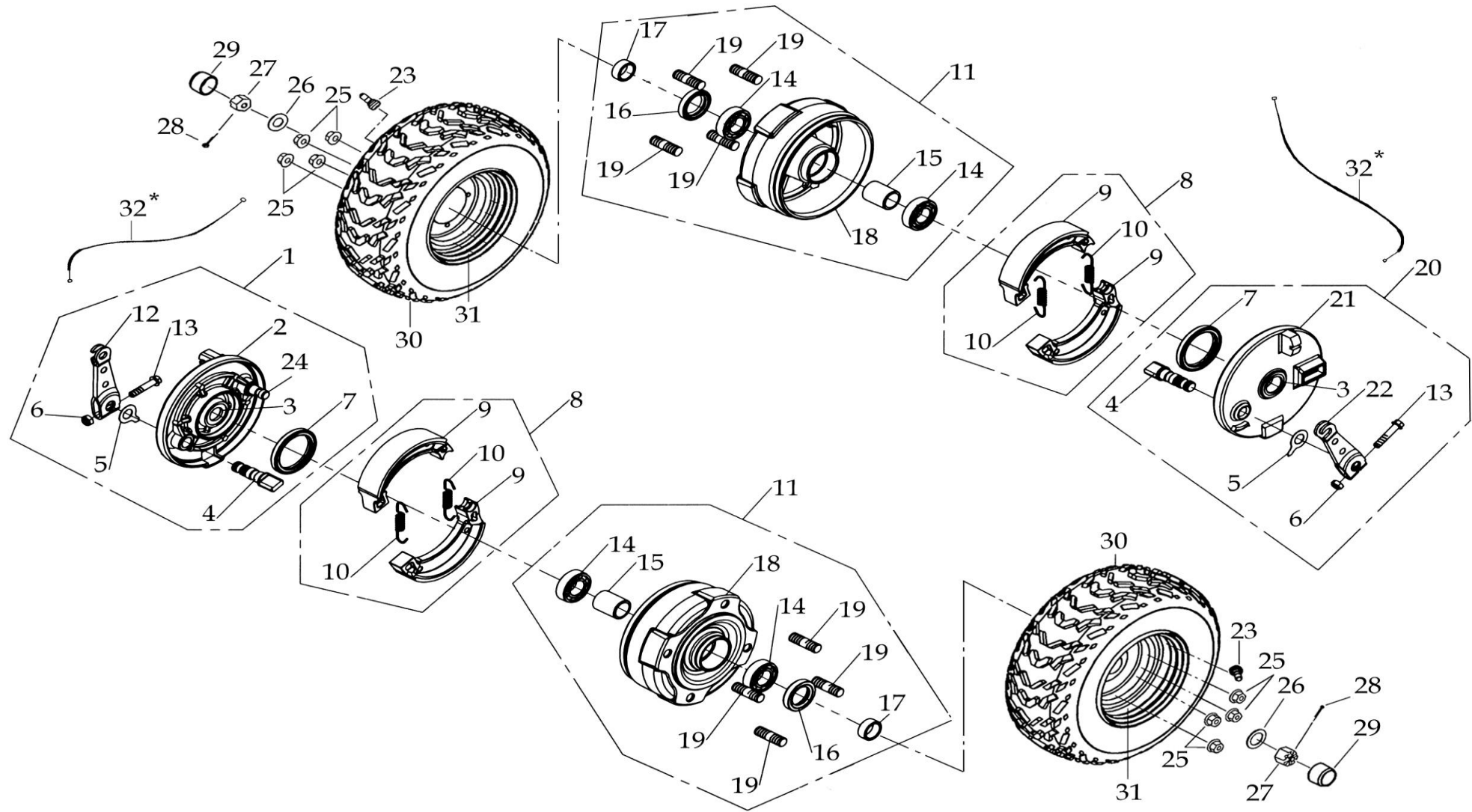
FRONT WHEEL(8" TIRE)



FRONT WHEEL(8" TIRE)

Model	Item	Part no	Description	Specification	Quantity
	01	F020481-00	BRAKE PLATE ASSEMBLY	RIGHT SIDE	1
	02		BRAKE PLATE	RIGHT SIDE	1
	03		BUSH		2
	04	F020551-41	BRAKE CAM SHAFT		2
	05	F020548-41	INDICATOR PLATE		2
	06	A060053-41	INSERT LOCK NUT	M6X1.0	2
	07	A030023-00	OIL SEAL	TC Ø52XØ40X6	2
	08	F020485-00	BRAKE SHOE ASSEMBLY	Ø110	2
	09		FRONT BRAKE SHOE	Ø110	2
	10		FRONT RETURN SPRING		4
	11	F020604-00	BRAKE DRUM ASSEMBLY		2
	12	F020550-41	FRONT BRAKE ARM	RIGHT SIDE	1
	13	A050171-41	HEX BOLT	M6X1.0X30L	2
	14	A010005-00	BEARING	6003ZZ	4
	15	F050017-00	COLLAR	Ø22XØ17X27L	2
	16	A030002-00	OIL SEAL	Ø22XØ35X7	2
	17	A090011-00	COLLAR	Ø17XØ22X9.5L	2
	18		BRAKE DRUM		2
	19		STUD BOLT	M10X1.25X32L	8
	20	F020479-00	BRAKE PLATE ASSEMBLY	LEFT SIDE	1
	21		BRAKE PLATE	LEFT SIDE	1
	22	F020549-41	BRAKE ARM	LEFT SIDE	1
	23	F020154-00	RIM VALVE		2
	24		PIN,BRAKE SHOE		2
	25	A060007-41	INSERT LOCK NUT	M10X1.25	8
	26	F020478-42	RUBBER CAP BRACKET		2
	27	A060026-42	CASTELLAED NUT	M14X1.5	2

FRONT WHEEL(8" TIRE)

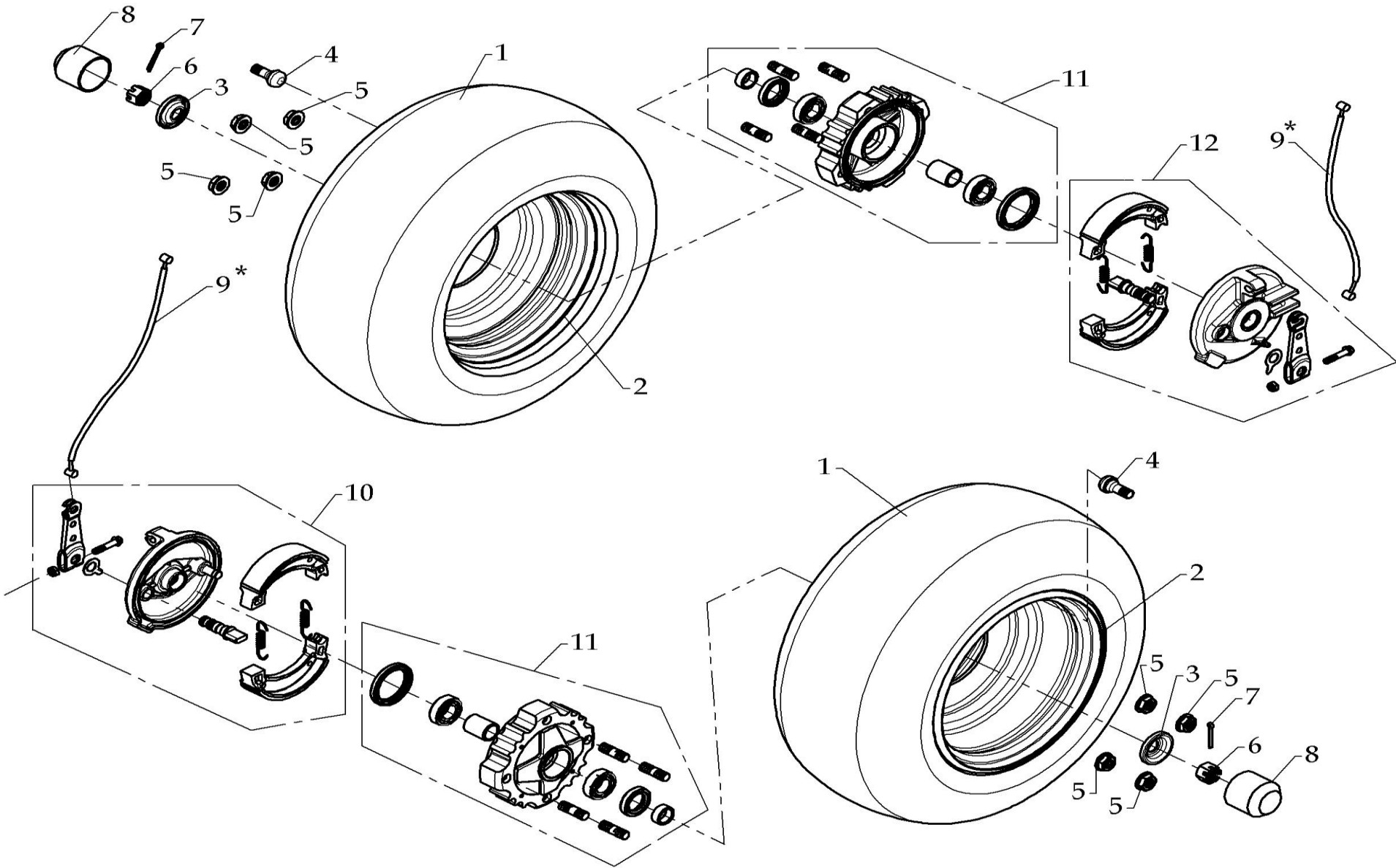


FRONT WHEEL(8" TIRE)

Model	Item	Part no	Description	Specification	Quantity	
	28	A070002-41	PIN	3.2X32L	2	
	29	F020153-00	RUBBER CAP		2	
	30	F020026-49	WHEEL RIM	8X5.5"	2	
	31	F020402-03	TIRE	18X9.5-8"	2	
	32	F020487-00	BRAKE CABLE		2	Hand
	*	F020488-00	BRAKE CABLE		2	Foot B

Brake
rake

FRONT WHEEL(Dual A-arm)

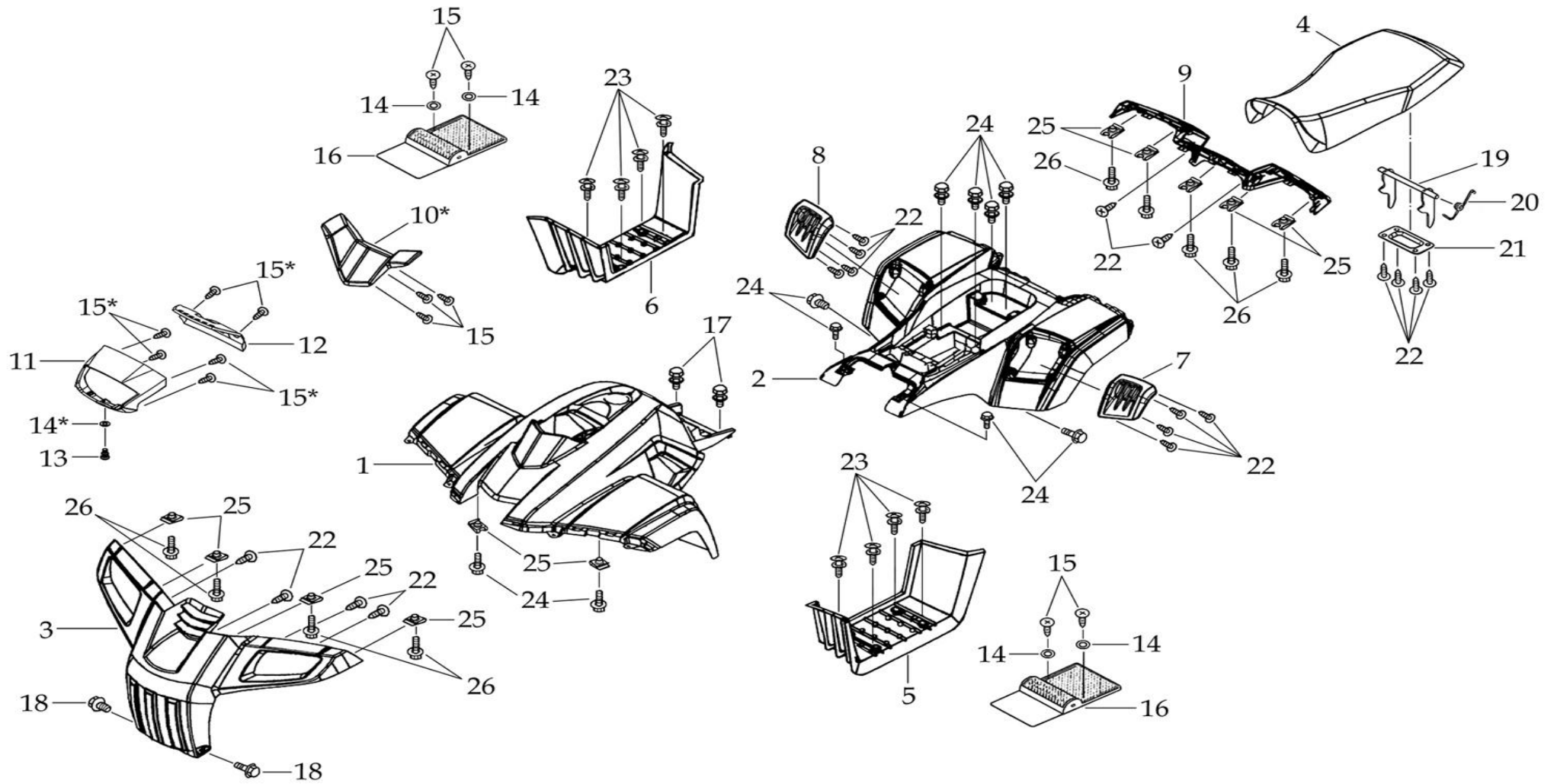


FRONT WHEEL(Dual A-arm)

Model	Item	Part no	Description	Specification	Quantity	
	01	F020402-03	TIRE	18X9.5-8"	2	
	02	F020566	WHEEL RIM	8X5.5"	2	
	03	F020478-42	RUBBER CAP BRACKET		2	
	04	F020154-00	RIM VALVE		2	
	05	A060007-41	INSERT LOCK NUT	M10X1.25	8	
	06	A060026-42	CASTELLAED NUT	M14X1.5	2	
	07	A070002-41	PIN	3.2X32L	2	
	08	F020153-00	RUBBER CAP		2	
	09	F020487-00	BRAKE CABLE		2	Hand
	*	F020488-00	BRAKE CABLE		2	Foot B
	10		BRAKE PLATE ASSEMBLY	LEFT SIDE	1	
	11		BRAKE DRUM ASSEMBLY		2	
	12		BRAKE PLATE ASSEMBLY	RIGHT SIDE	1	

Brake
rake

FENDER, SEAT



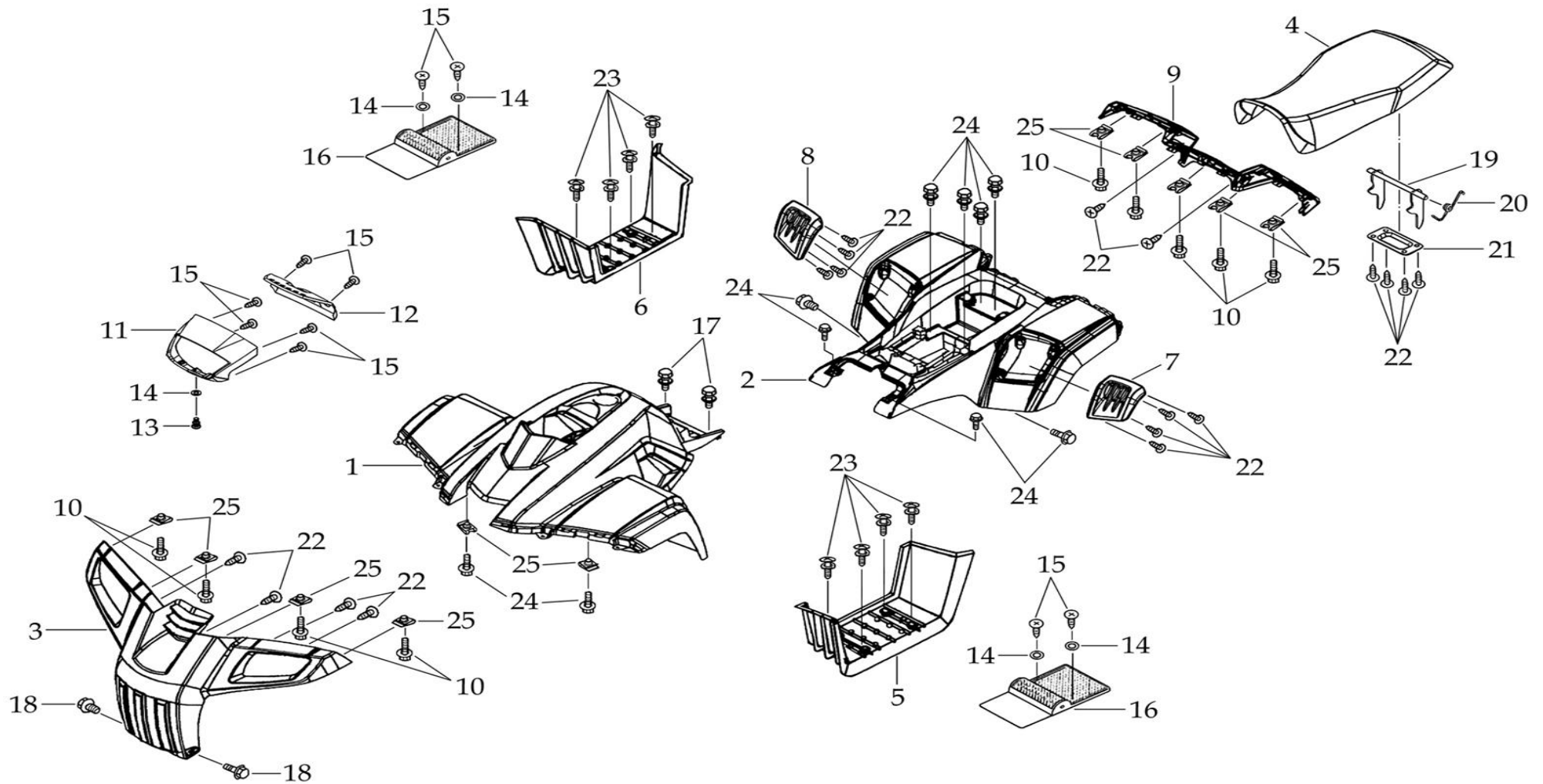
FENDER, SEAT

Model	Item	Part no	Description	Specification	Quantity	
	01	F040002	FRONT FENDER		1	
	02	F040003	REAR FENDER		1	
	03	F040001-15	SHIELD		1	
	04	F040004-01	SEAT ASSEMBLY		1	
	05	F040005-10	FOOTBOARD	LEFT SIDE	1	
	06	F040006-10	FOOTBOARD	RIGHT SIDE	1	
	07	F040008-15	COVER	LEFT SIDE	1	
	08	F040009-15	COVER	RIGHT SIDE	1	
	09	F040010-15	TAIL LIGHT COVER		1	
	10	F040007	HANDLEBAR COVER		1	GM150
	*	F080004	SPEEDOMETER COVER		1	GM150
GM150	11	F040080	HEAD LIGHT COVER		1	
GM150	12	F040079-15	SPEEDOMETER COVER		1	
GM150	13	A050096-41	SLOTTED HEAD BOLT	M4X0.7X12L	1	
	14	A080037-43	PLAIN WASHER	Ø4.2XØ12X1.0t	4	
GM150	*	A080037-43	PLAIN WASHER	Ø4.2XØ12X1.0t	5	
	15	A130002-43	TAPPING SCREW	4X12L	7	
GM150	*	A130002-43	TAPPING SCREW	4X12L	10	
	16	F020128-01	DAMPER		2	
	17	A050063-41	HEX BOLT	M6X1.0X20L	2	
	18	A050066-43	LOCATION BOLT	M8X1.25X15L	2	
	19	F030022B42	CLAMP , SEAT		1	
	20	A110010-41	TORSION SPRING		1	
	21	F030021-42	BRACKET , SEAT		1	
	22	A130005-43	TAPPING SCREW	5X16L	18	
	23	A050018-00	PAN PHILLIPS BOLT	M6X1.0X16L	8	
	24	A050023-41	HEX BOLT	M6X1.0X16L	10	
	25	F020195-43	U CLIP	M6	11	
	26	A050022-41	HEX BOLT	M6X1.0X18L	9	

Exclude

Exclude

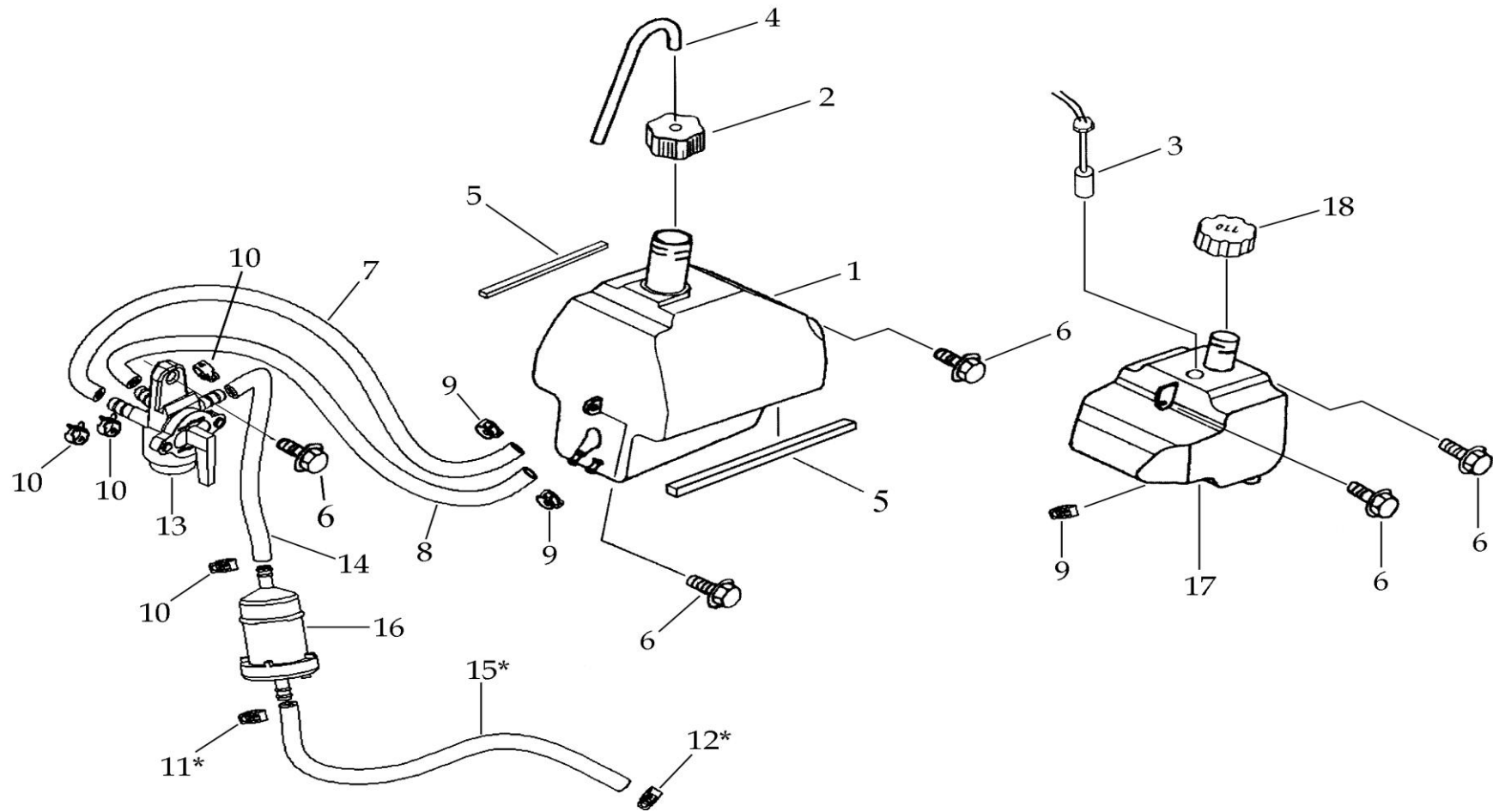
FENDER, SEAT, E-MARK



FENDER, SEAT,E-MARK

Model	Item	Part no	Description	Specification	Quantity
	01	F040002	FRONT FENDER		1
	02	F040003	REAR FENDER		1
	03	F040001-15	SHIELD		1
	04	F040004-01	SEAT ASSEMBLY		1
	05	F040005-10	FOOTBOARD	LEFT SIDE	1
	06	F040006-10	FOOTBOARD	RIGHT SIDE	1
	07	F040008-15	COVER	LEFT SIDE	1
	08	F040009-15	COVER	RIGHT SIDE	1
	09	F040010-15	TAIL LIGHT COVER		1
	10	A050022-41	HEX BOLT	M6X1.0X18L	9
	11	F040080	HEAD LIGHT COVER		1
	12	F040079-15	SPEEDOMETER COVER		1
	13	A050096-41	SLOTTED HEAD BOLT	M4X0.7X12L	1
	14	A080037-43	PLAIN WASHER	Ø4.2XØ12X1.0t	5
	15	A130002-43	TAPPING SCREW	4X12L	10
	16	F020128-01	DAMPER		2
	17	A050063-41	HEX BOLT	M6X1.0X20L	2
	18	A050066-43	LOCATION BOLT	M8X1.25X15L	2
	19	F030022B42	CLAMP , SEAT		1
	20	A110010-41	TORSION SPRING		1
	21	F030021-42	BRACKET , SEAT		1
	22	A130005-43	TAPPING SCREW	5X16L	18
	23	A050018-00	PAN PHILLIPS BOLT	M6X1.0X16L	8
	24	A050023-41	HEX BOLT	M6X1.0X16L	10
	25	F020195-43	U CLIP	M6	11

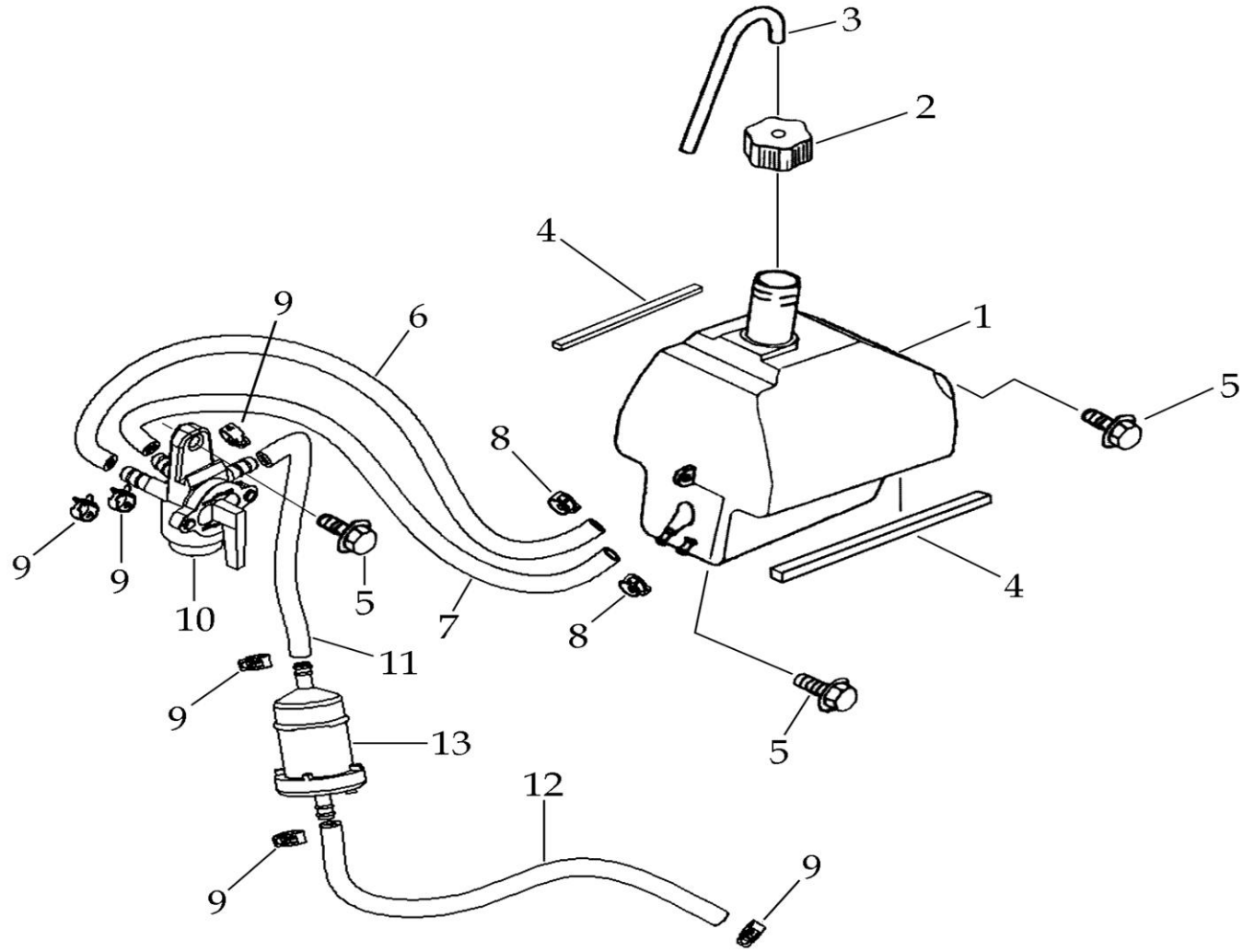
FUEL & OIL TANKS(E06 ENGINE)



FUEL & OIL TANKS(E06 ENGINE)

Model	Item	Part no	Description	Specification	Quantity	
	01	F020067-01	FUEL TANK		1	
	02	F020054-01	FUEL TANK CAP		1	
	03	F020204-00	OIL GAUGE		1	
	04	F020145-00	BREATHE TUBE	L=190mm	1	
	05	F020096-00	RUBBER MAT		2	
	06	A050024-41	HEX WASHER FACE BOLT	M6X1.0X16L	5	
	07	F020046-00	FUEL TUBE A	L=270mm	1	
	08	F020047-00	FUEL TUBE B	L=250mm	1	
	09	F020196-00	CLIP	12X0.8	3	
	10	F020197-00	CLIP	9.2X0.6	4	
	11	F020197-00	CLIP	9.2X0.6	1	WFZ
	*	F020453-00	CLIP	Ø7.7XØ9.5X6	1	WJ
	12	F020197-00	CLIP	9.2X0.6	1	WFZ
	*	F020452-00	CLIP	Ø6.5XØ8X6	1	WJ
	13	F020144-00	FUEL SHUT OFF VALVE		1	
	14	F020213-00	FUEL TUBE D	L=60mm	1	
	15	F020360-00	FUEL TUBE	L=100mm	1	WFZ
	*	F020451-00	FUEL TUBE	L=120mm	1	WJ
	16	F020143-00	FUEL FILTER ASSEMBLY		1	
	17	F020071-01	OIL TANK ASSEMBLY		1	
	18	F020146-00	OIL TANK CAP		1	

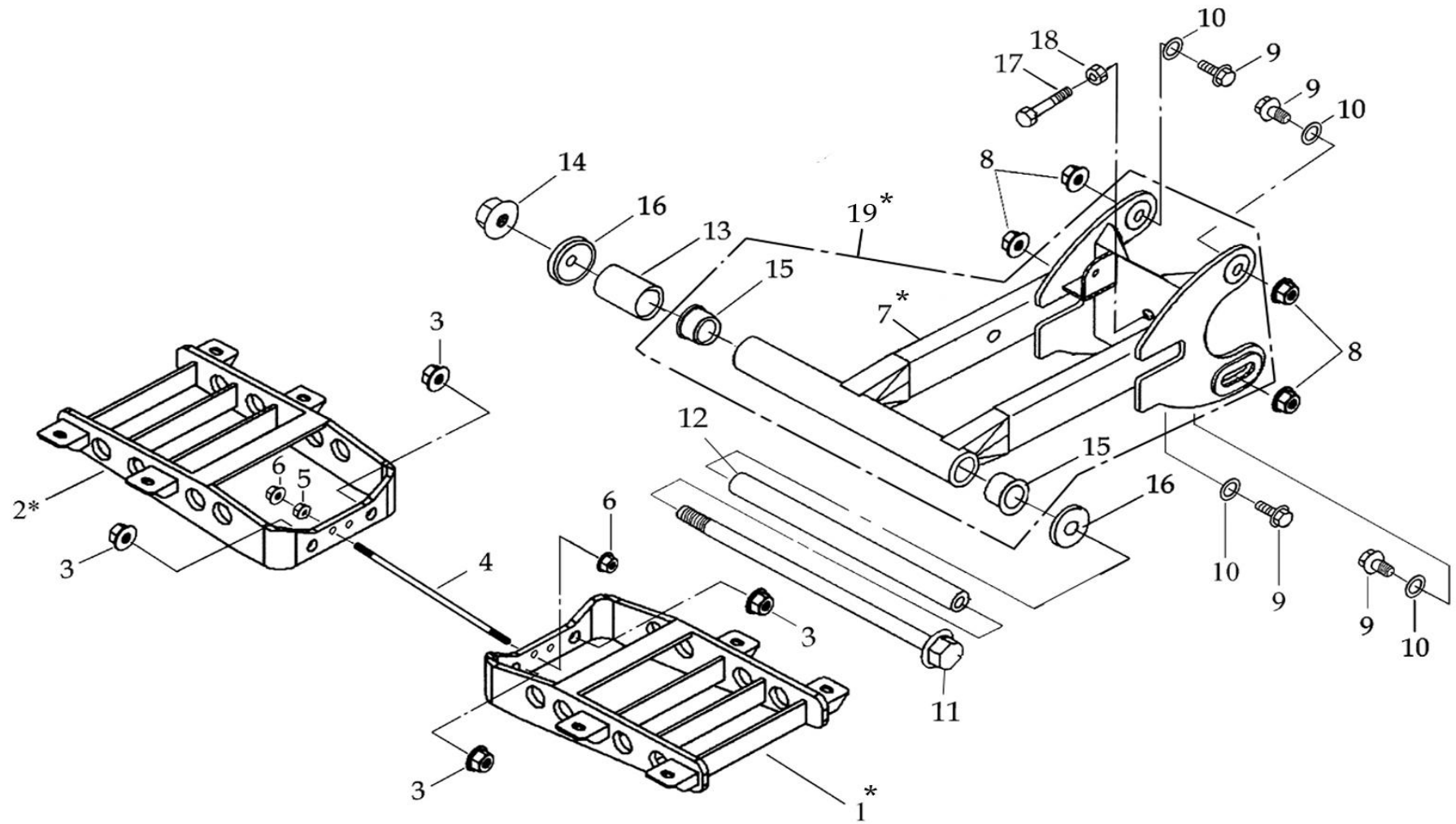
FUEL TANKS(E02 ENGINE)



FUEL TANKS(E02 ENGINE)

Model	Item	Part no	Description	Specification	Quantity
	01	F020067-01	FUEL TANK		1
	02	F020054-01	FUEL TANK CAP		1
	03	F020145-00	BREATHE TUBE	L=190mm	1
	04	F020096-00	RUBBER MAT		2
	05	A050024-41	HEX WASHER FACE BOLT	M6X1.0X16L	3
	06	F020046-00	FUEL TUBE A	L=270mm	1
	07	F020047-00	FUEL TUBE B	L=250mm	1
	08	F020196-00	CLIP	12X0.8	2
	09	F020197-00	CLIP	9.2X0.6	6
	10	F020144-00	FUEL SHUT OFF VALVE		1
	11	F020213-00	FUEL TUBE D	L=60mm	1
	12	F060058-00	FUEL TUBE C	L=230mm	1
	13	F020143-00	FUEL FILTER ASSEMBLY		1

SWING ARM SUB ASS'Y



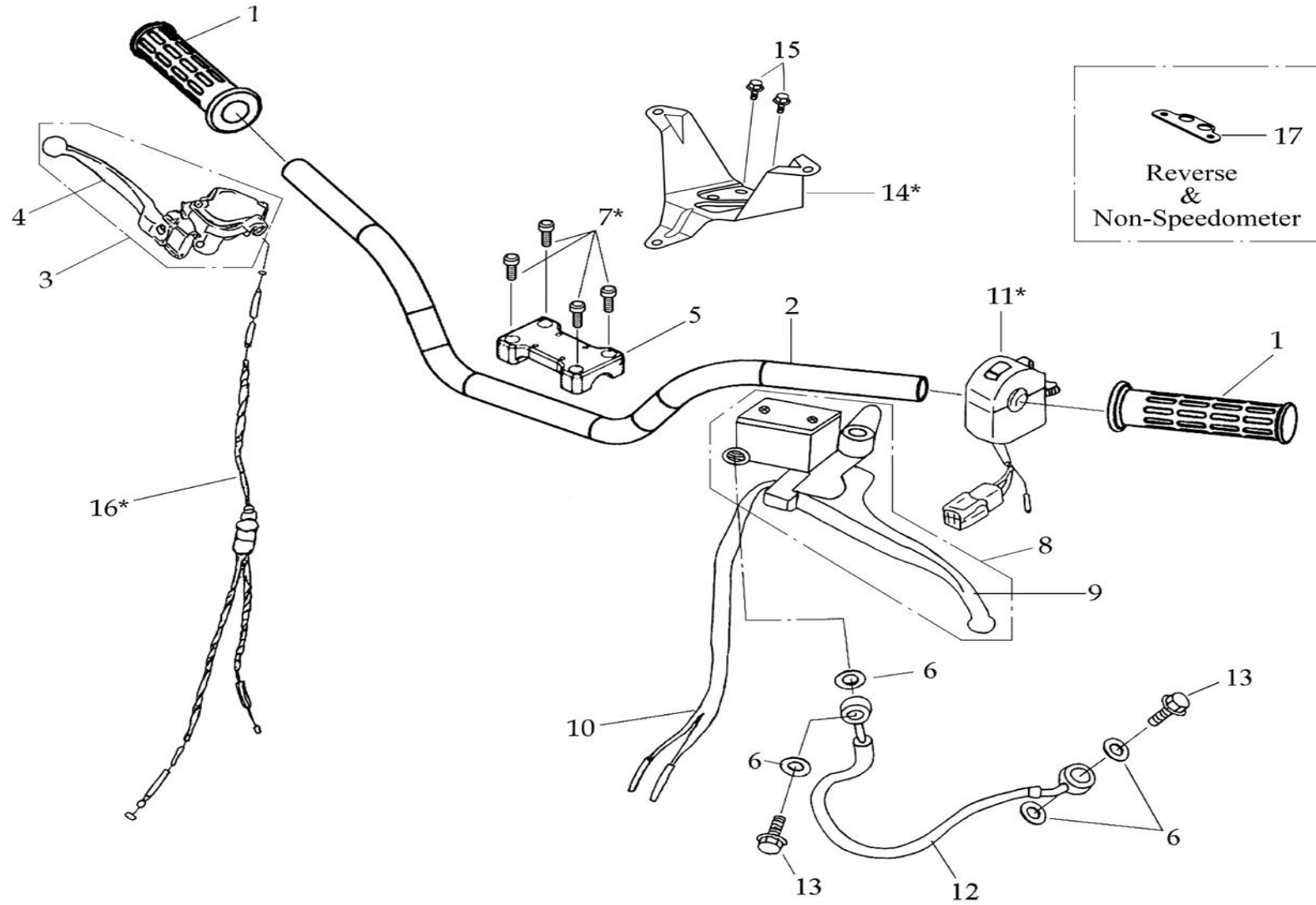
SWING ARM SUB ASS'Y

Model	Item	Part no	Description	Specification	Quantity
	01	F030008-50	BRACKET , FOOTREST	LEFT SIDE,BLACK	1
	*	F030008-49	BRACKET , FOOTREST	SILVER	1
	02	F030008-50	BRACKET , FOOTREST	BLACK	1
	*	F030008-49	BRACKET , FOOTREST	SILVER	1
	*	F040103-50	BRACKET , FOOTREST	RIGHT SIDE,BLACK	1
	03	A060007-41	INSERT LOCK NUT	M10X1.25	4
	04	A140004-42	STUD BOLT	M8X1.25X256L	1
	05	A060030-41	HEX NUT	M8X1.25	1
	06	A060014-41	INSERT LOCK NUT	M8X1.25	2
	07	F020007-48	SWING ARM	BLACK	1
	*	F020007-49	SWING ARM	SILVER	1
	08	A060008-41	INSERT LOCK NUT	M12X1.25	4
	09	A050094-41	HEX WASHER FACE BOLT	M12X1.25X45L	4
	10	A080060-41	PLAIN WASHER	Ø12.5XØ30X3t	4
	11	A050002-41	HEX WASHER FACE BOLT	M14X1.5X282L	1
	12	F020010-00	SWING ARM SPACER	Ø20XØ14.1X253.3L	1
	13	F020132-00	RUBBER SLEEVE		1
	14	A060006-41	INSERT LOCK NUT	M14X1.5	1
	15	F020474-00	BUSH	Ø20	2
	16	F020030-00	SEAL,COVER		2
	17	A050004-41	HEX BOLT	M10X1.25X50L	1
	18	A060002-41	HEX NUT	M10X1.25	1
	19	F020577-48	SWING ARM SUB ASSEMBLY	BLACK	1
	*	F020577-49	SWING ARM SUB ASSEMBLY	SILVER	1

Foot B

rake

HANDLEBAR(HAND BRAKE)

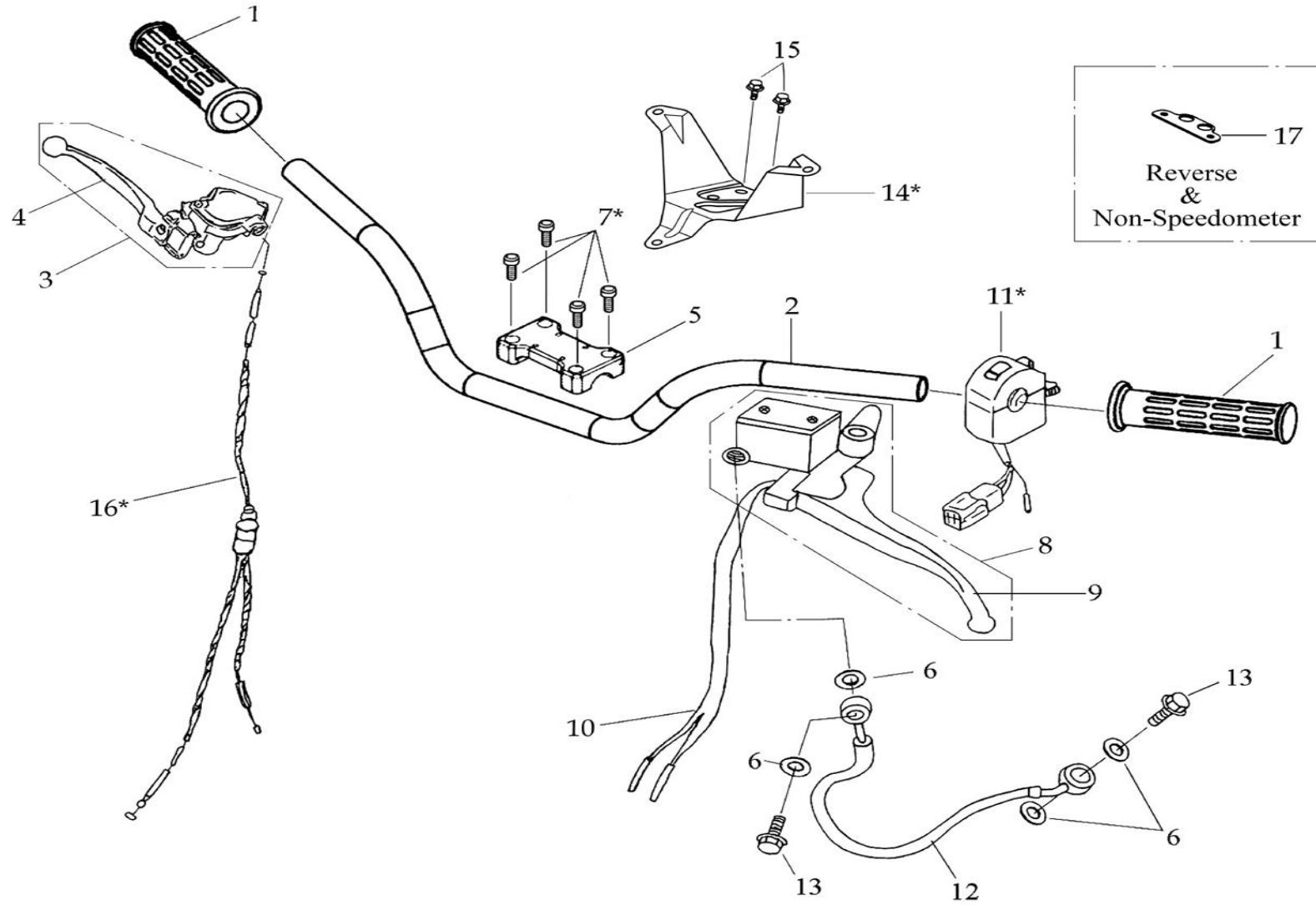


HANDLEBAR(HAND BRAKE)

Model	Item	Part no	Description	Specification	Quantity	
	01	F020167-00	HANDLE GRIP		2	
	02	F020166-48	HANDLEBAR	BLACK	1	
	03	A190031-01	RIGHT LEVER ASSEMBLY		1	
	04	F020267-00	RIGHT LEVER		1	
	05	F020468-00	HANDLEBAR BRACKET		1	
	06	A080011-00	PLAIN WASHER		4	
	07	A050029-43	HEX SOCKET BOLT	M6X1.0X25L	4	
GB050	*	A050079-43	HEX WASHER FACE BOLT	M6X1.0X35L	4	GG11C
	08	F020168-00	LEFT LEVER ASSEMBLY		1	
	09	F020268-00	MANUAL LEVER		1	
	10	A190029-00	LIMIT SWITCH		1	
	11	A190043-00	LEFT SWITCH ASSEMBLY		1	WJ
	*	A190042-00	LEFT SWITCH ASSEMBLY		1	
GM150	*	A190044-00	LEFT SWITCH ASSEMBLY		1	
	12	F020173-00	TUBE		1	
	13	A050009-44	HEX WASHER FACE BOLT	M10X1.25X22L	2	
	14	F040017-48	BRACKET	BLACK	1	
	*	F040017-49	BRACKET	SILVER	1	
	*	F080012-48	BRACKET	BLACK	1	
	*	F080012-49	BRACKET	SILVER	1	
GM150	*	F040082-48	BRACKET	BLACK	1	
	15	A050017-43	HEX WASHER FACE BOLT	M6X1.0X12L	2	

),GJ110

HANDLEBAR(HAND BRAKE)

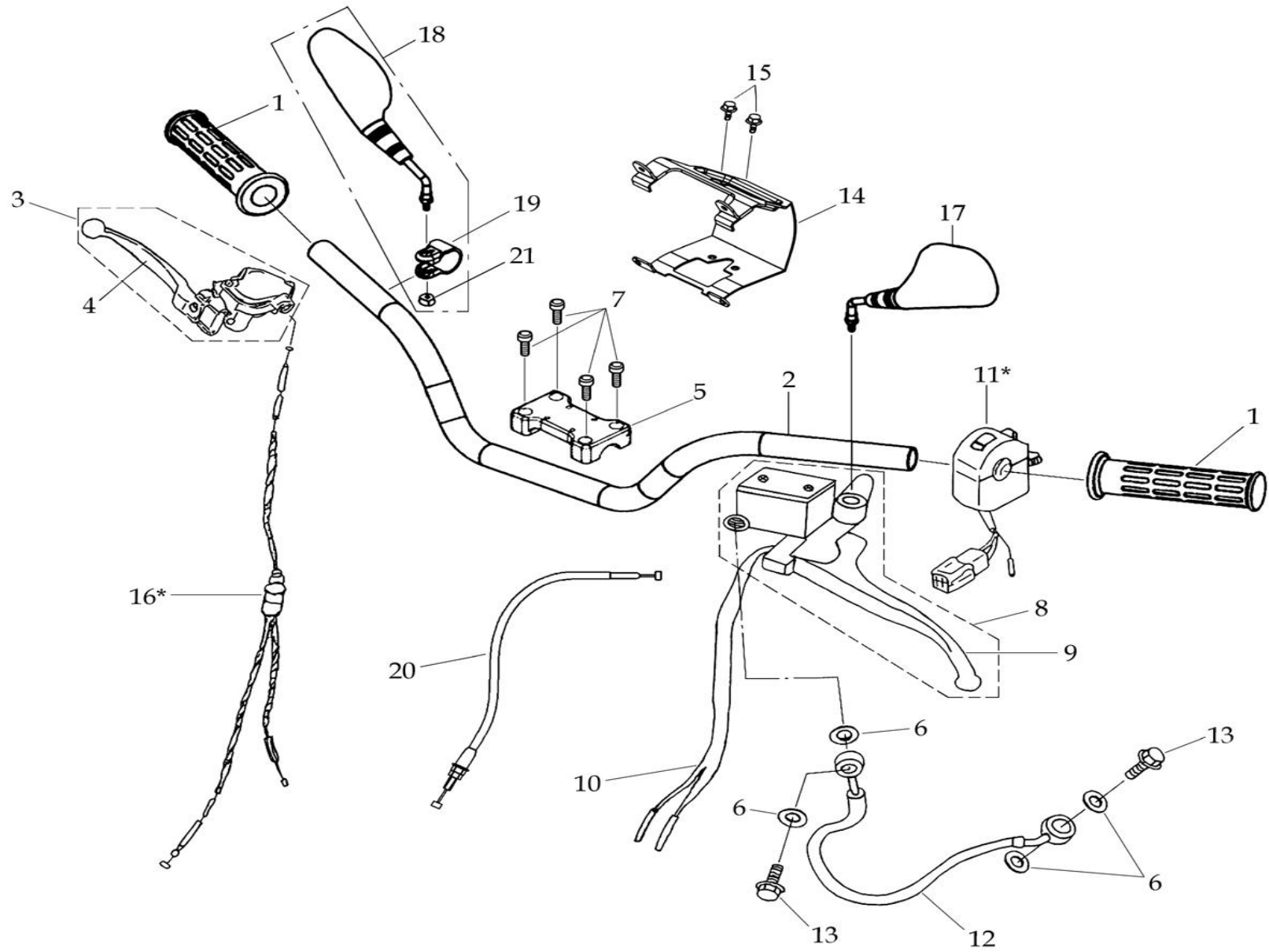


HANDLEBAR(HAND BRAKE)

Model	Item	Part no	Description	Specification	Quantity	
E06	16	F020170-00	THROTTLE CABLE		1	WFZ
E06	*	F020422-00	THROTTLE CABLE		1	WJ
E02	*	F020430-00	THROTTLE CABLE		1	WVF
GB050	17	F020354-50	INDICATION BRACKET		1	GG11C

,GJ110

HANDLEBAR E-MARK(HAND BRAKE)

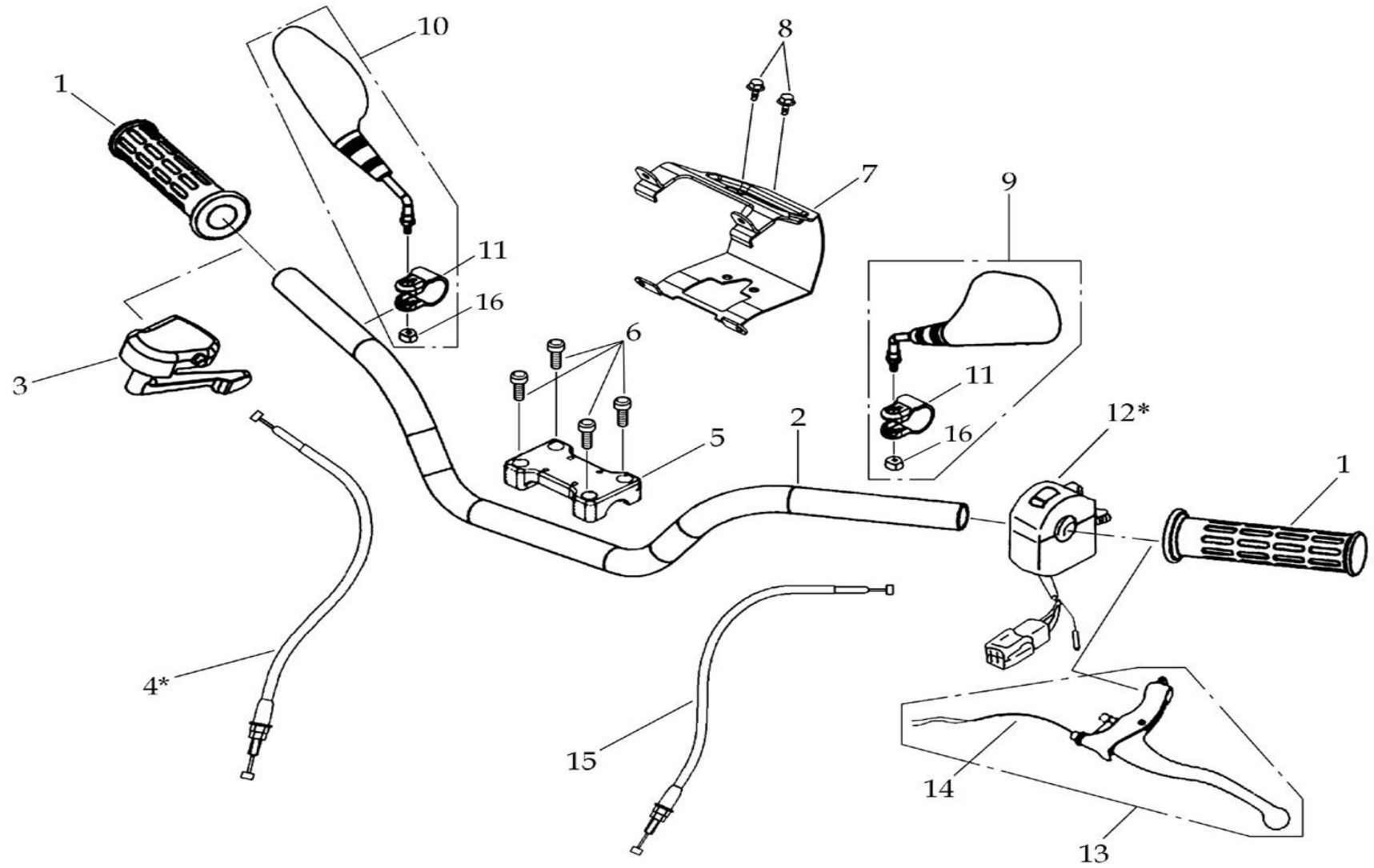


HANDLEBAR E-MARK(HAND BRAKE)

Model	Item	Part no	Description	Specification	Quantity	
	01	F020167-00	HANDLE GRIP		2	
	02	F020166-48	HANDLEBAR		1	
	03	A190031-01	RIGHT LEVER ASSEMBLY		1	
	04	F020267-00	RIGHT LEVER		1	
	05	F020468-00	HANDLEBAR BRACKET		1	
	06	A080011-00	PLAIN WASHER		4	
	07	A050029-43	HEX SOCKET BOLT	M6X1.0X25L	4	
	08	F020168-00	LEFT LEVER ASSEMBLY		1	
	09	F020268-00	MANUAL LEVER		1	
	10	A190029-00	LIMIT SWITCH		1	
	11	A190041-00	LEFT SWITCH ASSEMBLY		1	
	*	A190040-00	LEFT SWITCH ASSEMBLY		1	WJ
	12	F020173-00	TUBE , HYDRAULIC BRAKE		1	
	13	A050009-44	HEX WASHER FACE BOLT	M10X1.25X22L	2	
	14	F040082-48	COVER BRACKET		1	
	15	A050017-43	HEX WASHER FACE BOLT	M6X1.0X12L	2	
E06	16	F020170-00	THROTTLE CABLE		1	WFZ
E06	*	F020422-00	THROTTLE CABLE		1	WJ
E02	*	F020430-00	THROTTLE CABLE		1	WVF
	17	F020269-00	REAR-VIEW MIRROR	LEFT SIDE	1	AE150
	18	F020270-00	REAR-VIEW MIRROR	RIGHT SIDE	1	AE150
	19	F020271-00	CLAMP	Ø22	1	AE150
	20	F020424-00	CHOKE CABLE		1	WJ
	21	A060042-41	HEX NUT	M8x1.25(L.H)	1	

Exclude
Exclude
Exclude

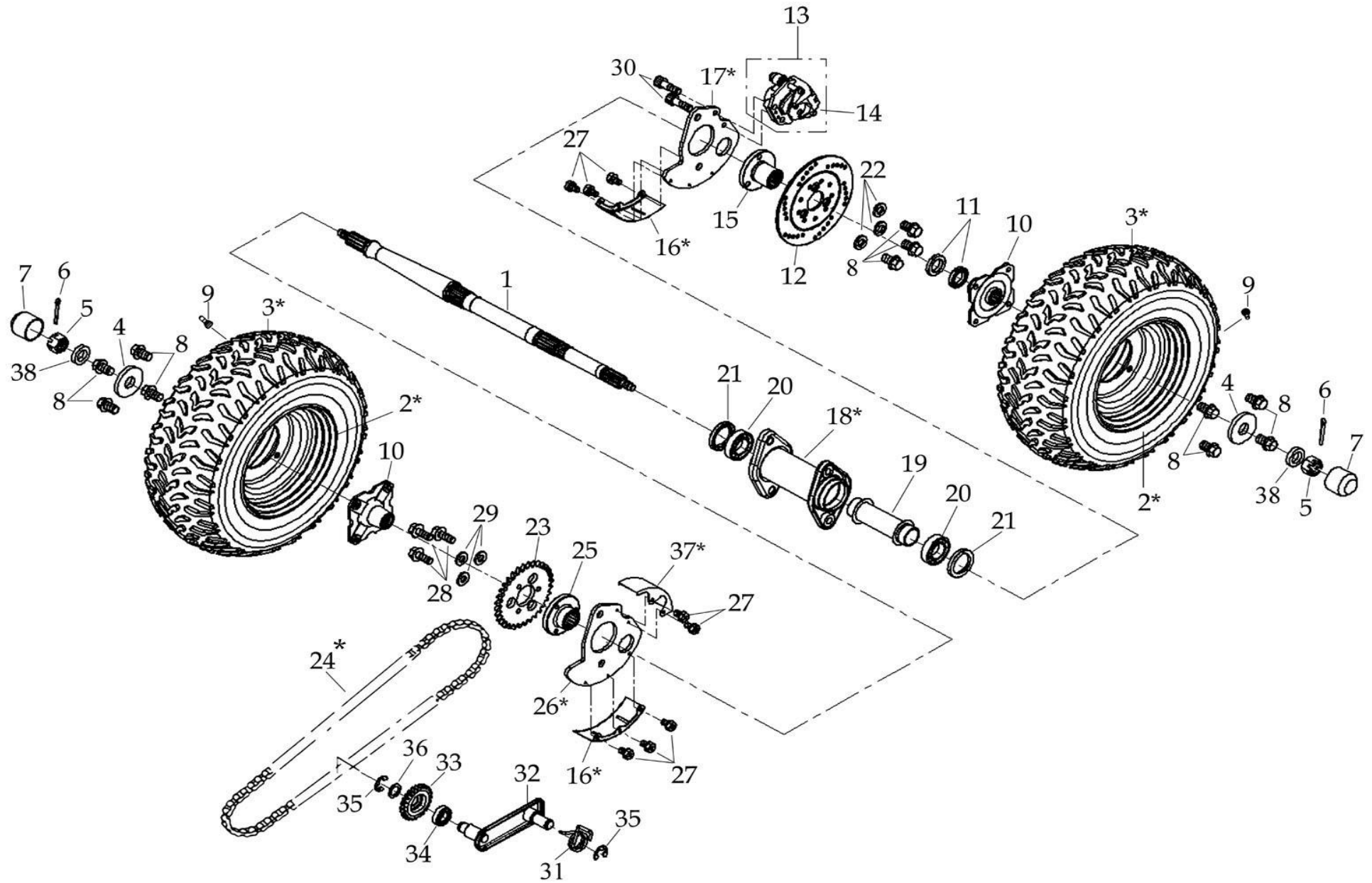
HANDLEBAR(FOOT BRAKE)



HANDLEBAR(FOOT BRAKE)

Model	Item	Part no	Description	Specification	Quantity	
	01	F020167-00	HANDLE GRIP		2	
	02	F020166-48	HANDLEBAR		1	
	03	A190032-01	RIGHT LEVER ASSEMBLY		1	
E06	04	F020170-00	THROTTLE CABLE		1	WFZ
E06	*	F020422-00	THROTTLE CABLE		1	WJ
E02	*	F020430-00	THROTTLE CABLE		1	WVF
	05	F020468-00	HANDLEBAR BRACKET		1	
	06	A050029-43	HEX SOCKET BOLT	M6X1.0X25L	4	
	07	F040082-48	COVER BRACKET		1	
	08	A050017-43	HEX WASHER FACE BOLT	M6X1.0X12L	2	
	09	F020416-00	REAR-VIEW MIRROR	LEFT SIDE	1	
	10	F020270-00	REAR-VIEW MIRROR	RIGHT SIDE	1	
	11	F020271-00	CLAMP	Ø22	2	
	12	A190041-00	LEFT SWITCH ASSEMBLY		1	
	*	A190040-00	LEFT SWITCH ASSEMBLY		1	WJ
	13	F020392-00	LEFT LEVER ASSEMBLY		1	
	14	F070020-00	REAR BRAKE SENSOR		1	
	15	F020424-00	CHOKE CABLE		1	WJ
	16	A060042-41	HEX NUT	M8x1.25(L.H)	2	

REAR WHEEL



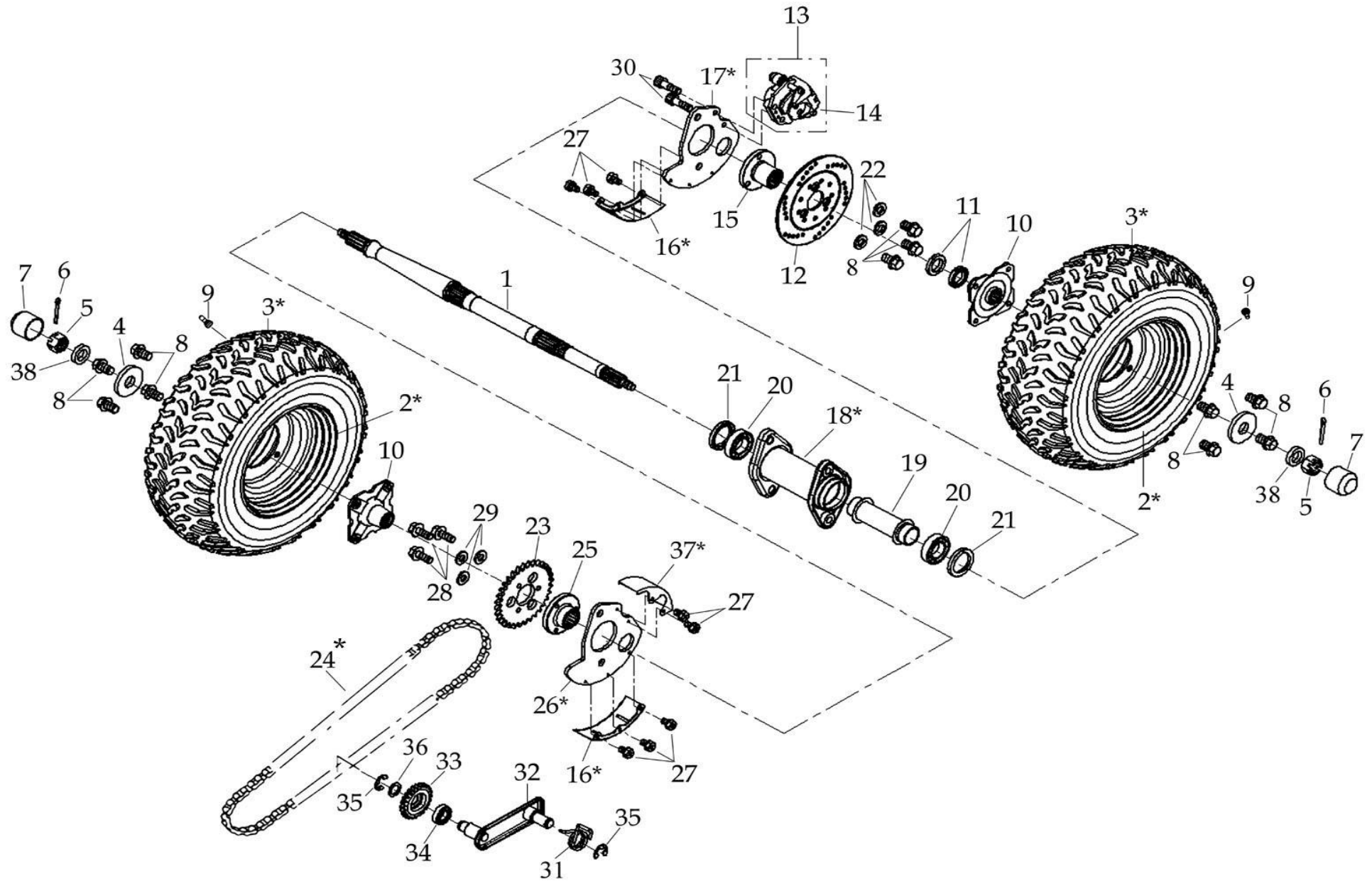
REAR WHEEL

Model	Item	Part no	Description	Specification	Quantity	
	01	F030037-42	REAR AXLE		1	
	02					
	*	F020026-49	WHEEL RIM	8X5.5"	2	8" TIR
	03					
	*	F020402-03	TIRE	18X9.5-8"	2	8" TIR
	04	A080001-42	PLAIN WASHER	Ø14.2XØ40X4.5t	2	
	05	A060026-42	CASTELLAED NUT	M14X1.5	2	
	06	A070002-41	PIN	3.2X32L	2	
	07	F020153-00	RUBBER CAP		2	
	08	A050005-41	HEX WASHER FACE BOLT	M10X1.25X15L	11	
	09	F020154-00	RIM VALVE		2	
	10	F020025-46	SHAFT CONNECTER		2	
	11	A060003-42	HEX NUT	M27X1.5	2	
	12	F020242-00	DISC BRAKE	Ø180	1	
	13	F020032-00	CALIPER , DISC BRAKE		1	
	14	F020302-00	SHOE , DISK BRAKE		1	
	15	F020014-42	BASE , BRAKE		1	
	16	F020009-50	PROTECTIVE COVER	BLACK	2	
	*	F020009-49	PROTECTIVE COVER	SILVER	2	
	17	F020045-50	PROTECTIVE COVER	LEFT SIDE,BLACK	1	
	*	F020045-49	PROTECTIVE COVER	LEFT SIDE,SILVER	1	
	18	F020004-50	REAR AXLE FIX SEAT	BLACK	1	
	*	F020004-49	REAR AXLE FIX SEAT	SILVER	1	
	19	F020001-41	SPACER TUBE		1	
	20	A010006-00	BEARING	6006ZZ	2	
	21	A030012-00	OIL SEAL		2	
	22	A080009-41	SPRING WASHER	Ø10.2X3.7X2.5t	3	
	23	F020017-50	FINAL DRIVE SPROCKET	32T	1	

E

E

REAR WHEEL

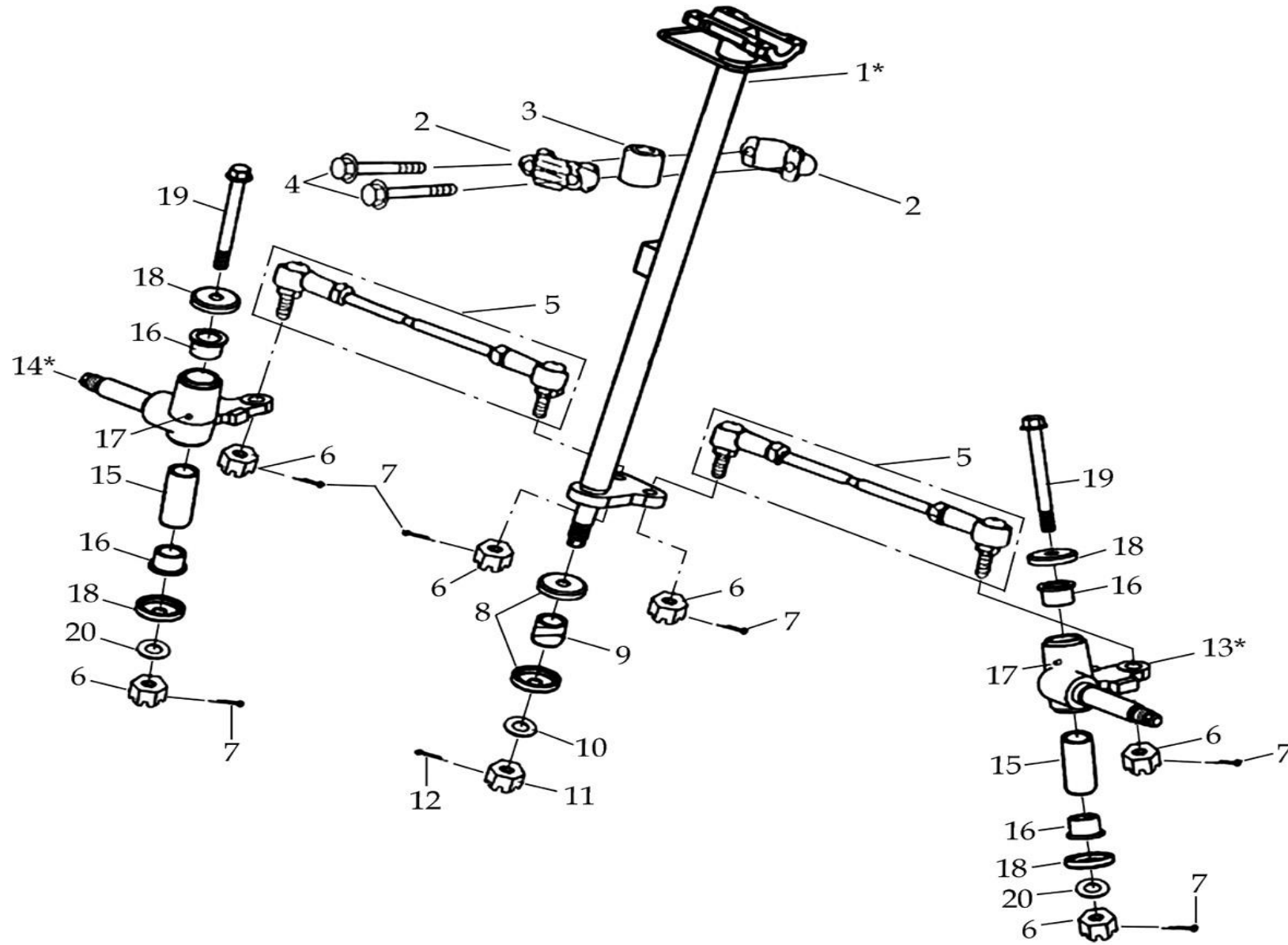


REAR WHEEL

Model	Item	Part no	Description	Specification	Quantity
	24	F020450-00	DRIVE CHAIN ASSEMBLY	428UO X 90 LINKS	1
	*	F020417-00	DRIVE CHAIN ASSEMBLY	428UO X 88 LINKS	1
	25	F030034-42	SPROCKET HOLDER		1
	26	F020005-50	PROTECTIVE COVER	RIGHT SIDE,BLACK	1
	*	F020005-49	PROTECTIVE COVER	RIGHT SIDE,SILVER	1
	27	A050007-41	HEX BOLT	M5X0.8X8L	8
	28	A050006-41	HEX WASHER FACE BOLT	M8X1.0X20L	3
	29	A080012-41	SPRING WASHER	Ø8.2X3.2X2t	3
	30	A050135-41	HEX SOCKET BOLT	M8X1.0X25L	2
	31	A110004-41	TORSION SPRING		1
	32	F030035-42	BRACKET , IDLE GEAR		1
	33	F020201-50	IDLE GEAR		1
	34	A010008-00	BEARING	6901 2RS	1
	35	A100002-43	CLIP	Ø10	2
	36	A080018-43	PLAIN WASHER	Ø12.2XØ18X1.0t	1
	37	F020219-50	PROTECTIVE COVER	BLACK	1
	*	F020219-51	PROTECTIVE COVER	SILVER	1
	38	A080016-42	PLAIN WASHER	Ø15XØ24X5t	2

13T

STEERING

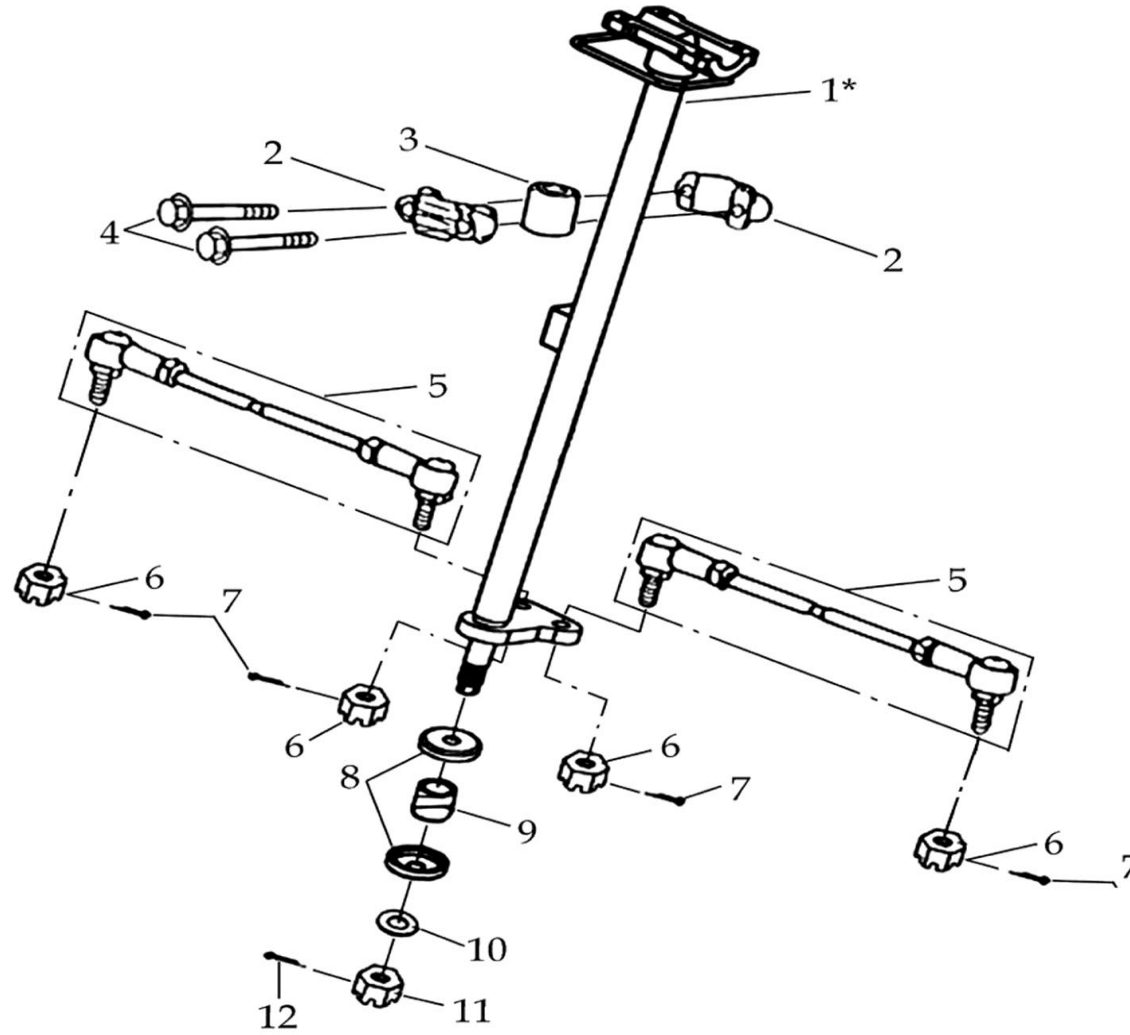


STEERING

Model	Item	Part no	Description	Specification	Quantity	
	01	F020397-48	STEERING SHAFT	BLACK	1	
	*	F020397-49	STEERING SHAFT	SILVER	1	
	02	F020119-00	STEERING SHAFT BRACKET		2	
	03	F020037-00	PU BUSH		1	
	04	A050010-41	HEX WASHER FACE BOLT	M8X1.25X65L	2	
	05	F020314-00	STEERING TIE-ROD ASS'Y		2	
	06	A060024-42	CASTELLAED NUT	M10X1.25	6	
	07	A070011-41	PIN	Ø2.8X32L	6	
	08	F050036-00	SEAL, COVER		2	
	09	F050035-00	BUSH, STEERING SHAFT	Ø15XØ22X25L	1	
	10	A080013-43	PLAIN WASHER	Ø14.5XØ26X2t	1	
	11	A060026-42	CASTELLAED NUT	M14X1.5	1	
	12	A070002-41	PIN	Ø3.2X32L	1	
	13	F050118-42	KNUCKLE, STEERING	LEFT SIDE	1	8" TIR
	*	F020323-42	KNUCKLE, STEERING	LEFT SIDE	1	7" TIR
	14	F050119-42	KNUCKLE, STEERING	RIGHT SIDE	1	8" TIR
	*	F020324-42	KNUCKLE, STEERING	RIGHT SIDE	1	7" TIR
	15	F050015-00	TUBE, STEERING KNUCKLE	Ø10XØ17X70.2L	2	
	16	F050117-00	BUSH, STEERING KNUCKLE		4	
	17	F020140-00	GREASE VALVE		2	
	18	F050018-00	SEAL, COVER		4	
	19	A050073-42	HEX WASHER FACE BOLT	M10X1.25X100L	2	
	20	A080061-41	PLAIN WASHER	Ø10.5XØ22X3.5t	2	

E
E
E
E

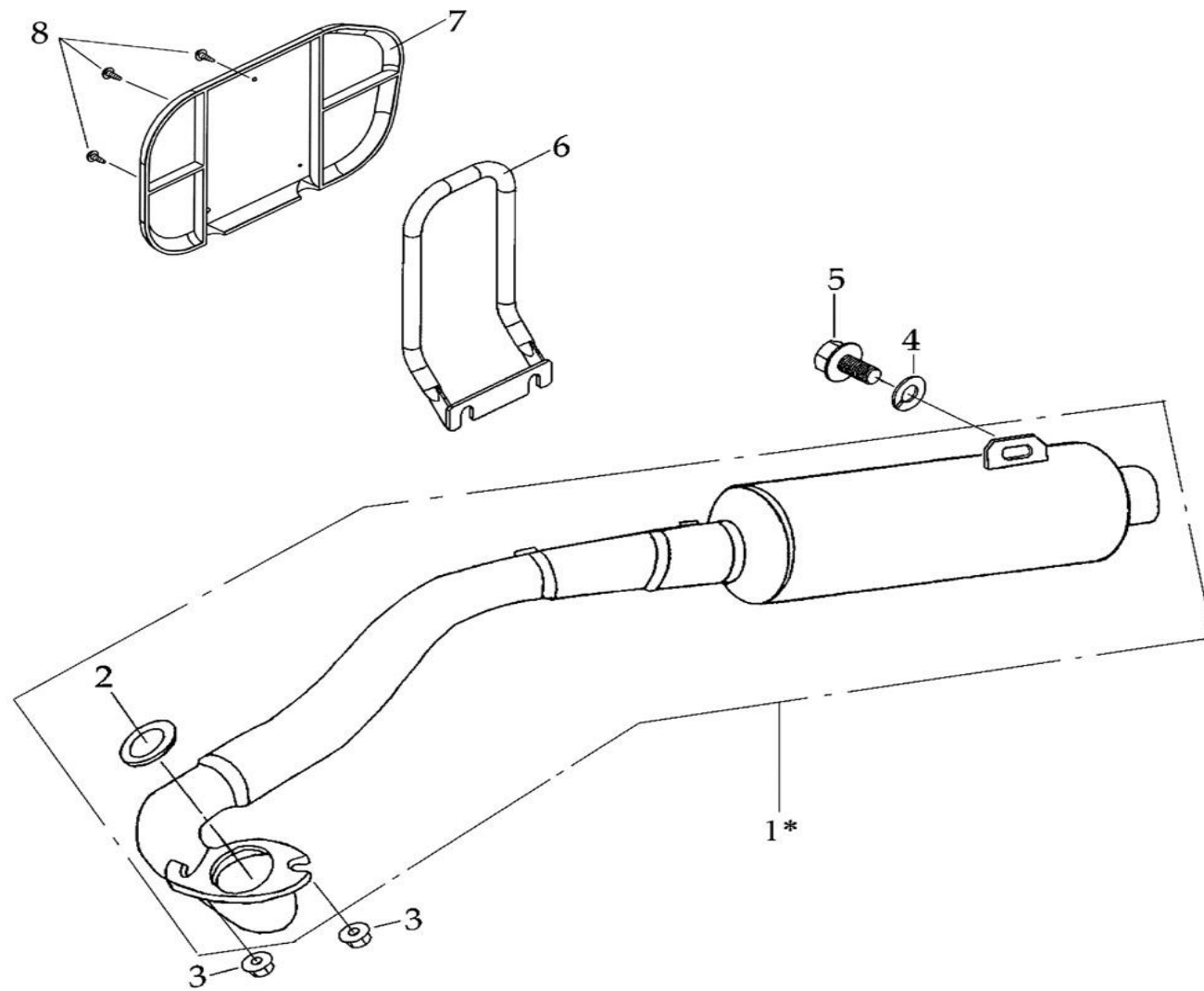
STEERING(Dual A-arm)



STEERING(Dual A-arm)

Model	Item	Part no	Description	Specification	Quantity
	01	F020563	STEERING SHAFT	BLACK	1
	02	F020119-00	SHAFT BRACKET		2
	03	F020037-00	PU BUSH		1
	04	A050010-41	HEX WASHER FACE BOLT	M8X1.25X65L	2
	05	F020581	STEERING TIE-ROD ASS'Y		2
	06	A060024-42	CASTELLAED NUT	M10X1.25	6
	07	A070011-41	PIN	Ø2.8X32L	6
	08	F050036-00	SEAL, COVER		2
	09	F050035-00	BUSH, STEERING SHAFT	Ø15XØ22X25L	1
	10	A080013-43	PLAIN WASHER	Ø14.5XØ26X2t	1
	11	A060026-42	CASTELLAED NUT	M14X1.5	1
	12	A070002-41	PIN	Ø3.2X32L	1

MUFFLER(E06 ENGINE)



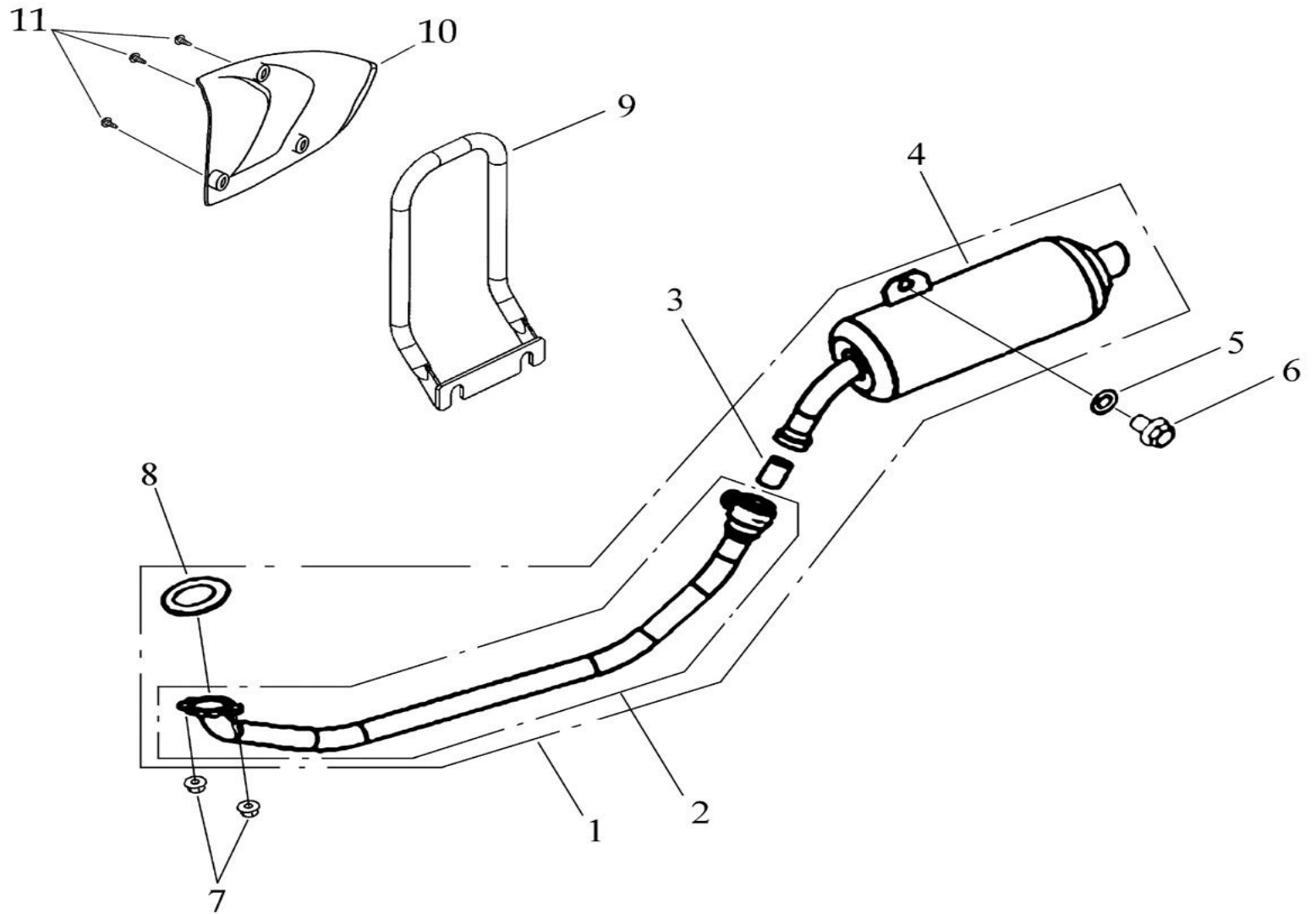
MUFFLER(E06 ENGINE)

Model	Item	Part no	Description	Specification	Quantity	
50cc.	01	F030043-00	MUFFLER ASSEMBLY		1	
50cc.	*	F020491-00	MUFFLER ASSEMBLY		1	E-Mar
90/110cc.	*	F030028-00	MUFFLER ASSEMBLY		1	
110cc.	*	F020492-00	MUFFLER ASSEMBLY		1	E-Mar
	02	F020052-00	GASKET , MUFFLER		1	
	03	A060027-41	LOCK NUT	M6X1.0	2	
	04	A080009-41	SPRING WASHER	Ø10.2X3.7X2.5t	1	
	05	A050058-41	HEX WASHER FACE BOLT	M10X1.5X15L	1	
	06	F020228-50	COVER BRACKET		1	
	07	F020227-01	PROTECT COVER		1	
	08	A130002-43	TAPPING SCREW	4X12L	3	

k

k

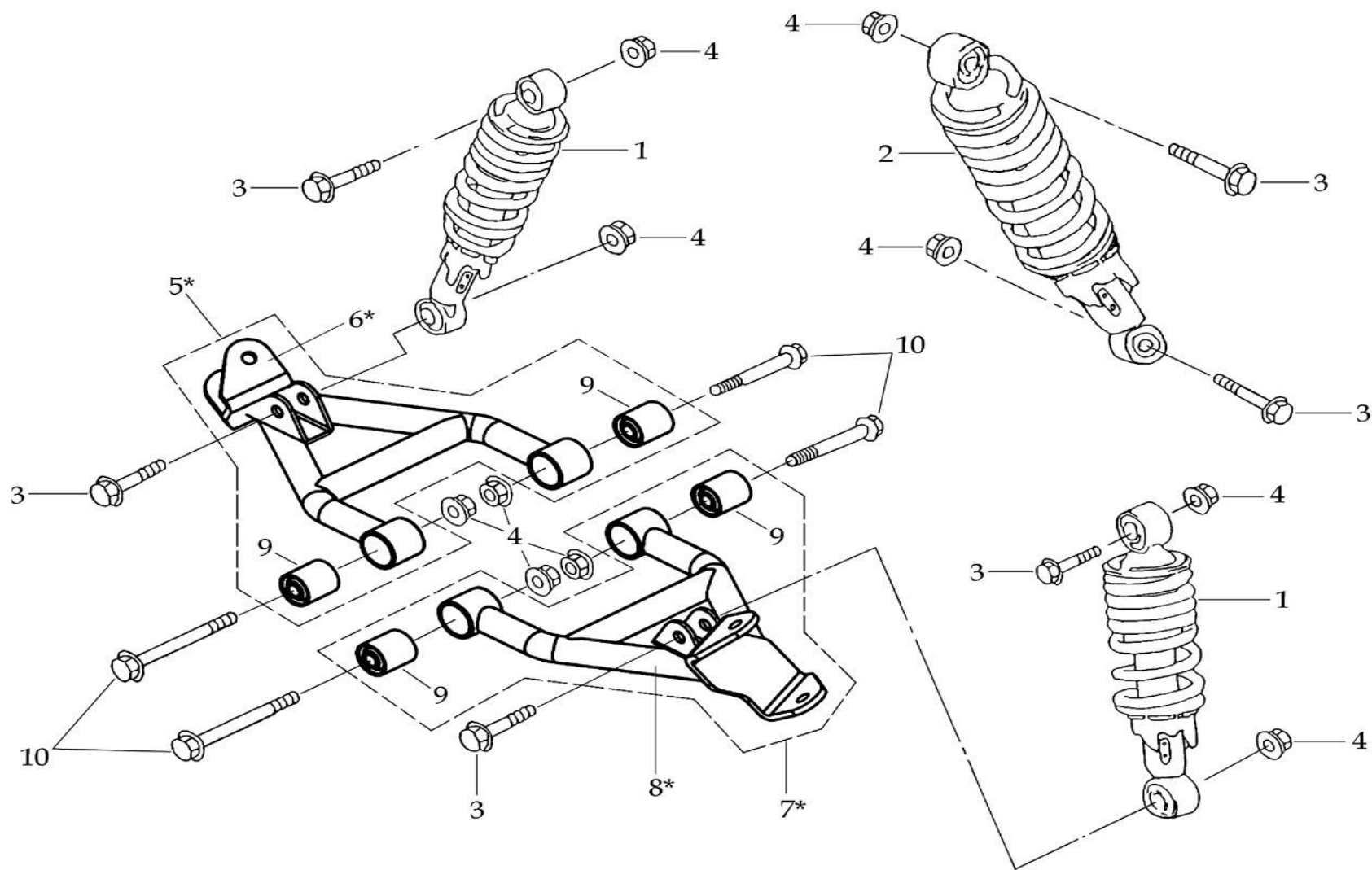
MUFFLER(E02 ENGINE)



MUFFLER(E02 ENGINE)

Model	Item	Part no	Description	Specification	Quantity
	01	F020370-00	MUFFLER ASSEMBLY		1
	02	F020442-00	MUFFLER PIPE		1
	03	F020445-00	RING CLAMP		1
	04	F020446-00	PRINCIPAL PART,MUFFLER		1
	05	A080009-41	SPRING WASHER	Ø10.2X3.7X2.5t	1
	06	A050058-41	HEX WASHER FACE BOLT	M10X1.5X15L	1
	07	A060040-42	HEX NUT	M8X1.25	2
	08	F020435-00	GASKET , MUFFLER		1
	09	F020228-50	COVER BRACKET		1
	10	F020472-15	COVER,SAFETY		1
	11	A130002-43	TAPPING SCREW	4X12L	3

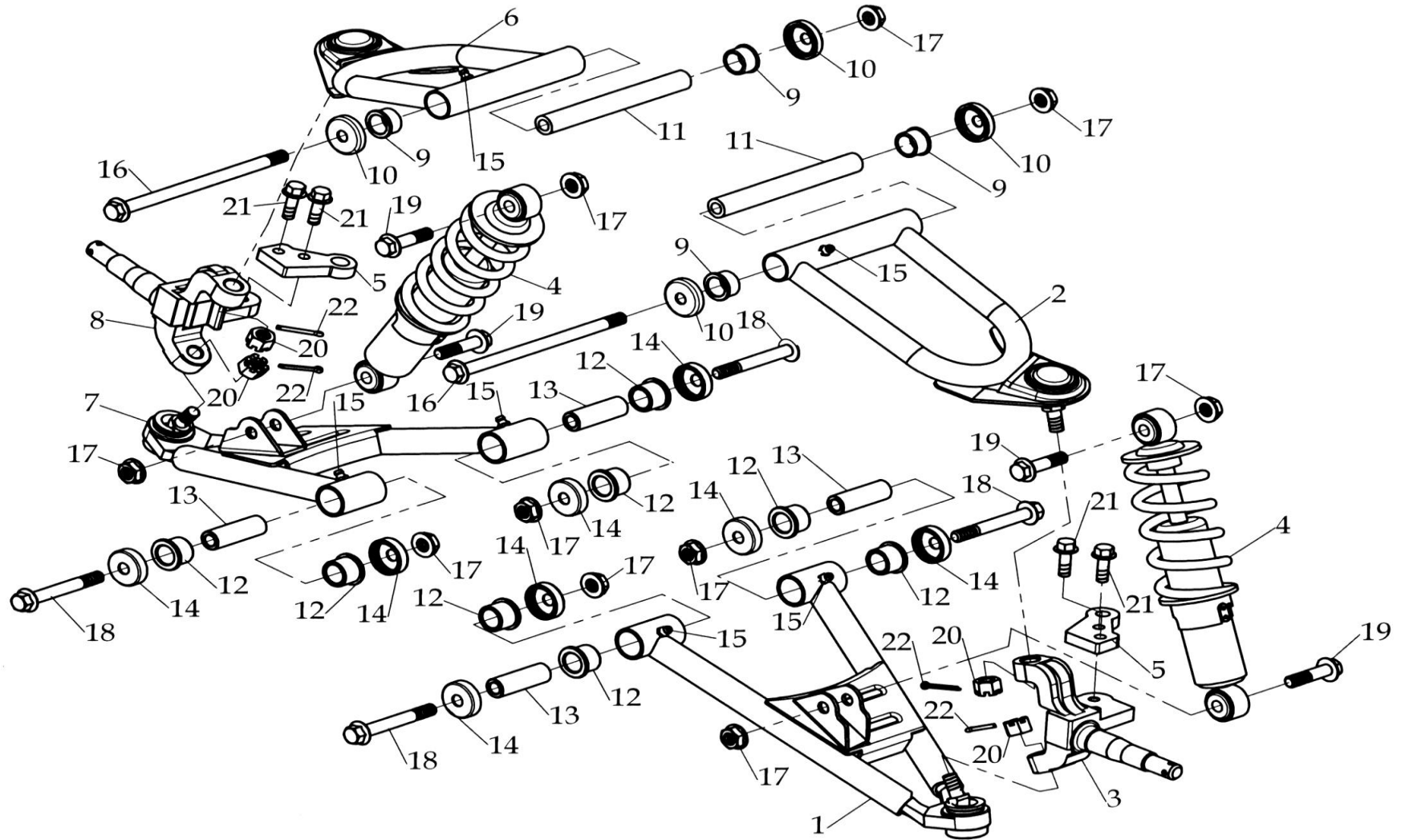
FRONT, REAR SUSPENSIONE



FRONT、 REAR SUSPENSIONE

Model	Item	Part no	Description	Specification	Quantity
	01	F020344-00	FRONT SUSPENSION 260mm	260mm	2
	02	F020280-00	REAR SUSPENSION	260mm	1
	03	A050001-41	HEX WASHER FACE BOLT	M10X1.25X40L	6
	04	A060007-41	INSERT LOCK NUT	M10X1.25	10
	05	F020489-48	RIGHT ARM ASSEMBLY	RIGHT SIDE,BLACK	1
	*	F020489-49	RIGHT ARM ASSEMBLY	RIGHT SIDE,SILVER	1
	06		RIGHT SUSPENSION ARM	RIGHT SIDE,BLACK	1
	*		RIGHT SUSPENSION ARM	RIGHT SIDE,SILVER	1
	07	F020490-48	LEFT ARM ASSEMBLY	LEFT SIDE,BLACK	1
	*	F020490-49	LEFT ARM ASSEMBLY	LEFT SIDE,SILVER	1
	08		LEFT SUSPENSION ARM	LEFT SIDE,BLACK	1
	*		LEFT SUSPENSION ARM	LEFT SIDE,SILVER	1
	09		SUSPENSION ARM BUSH	Ø10XØ28X27L	4
	10	A050019-41	HEX WASHER FACE BOLT	M10X1.25X48L	4

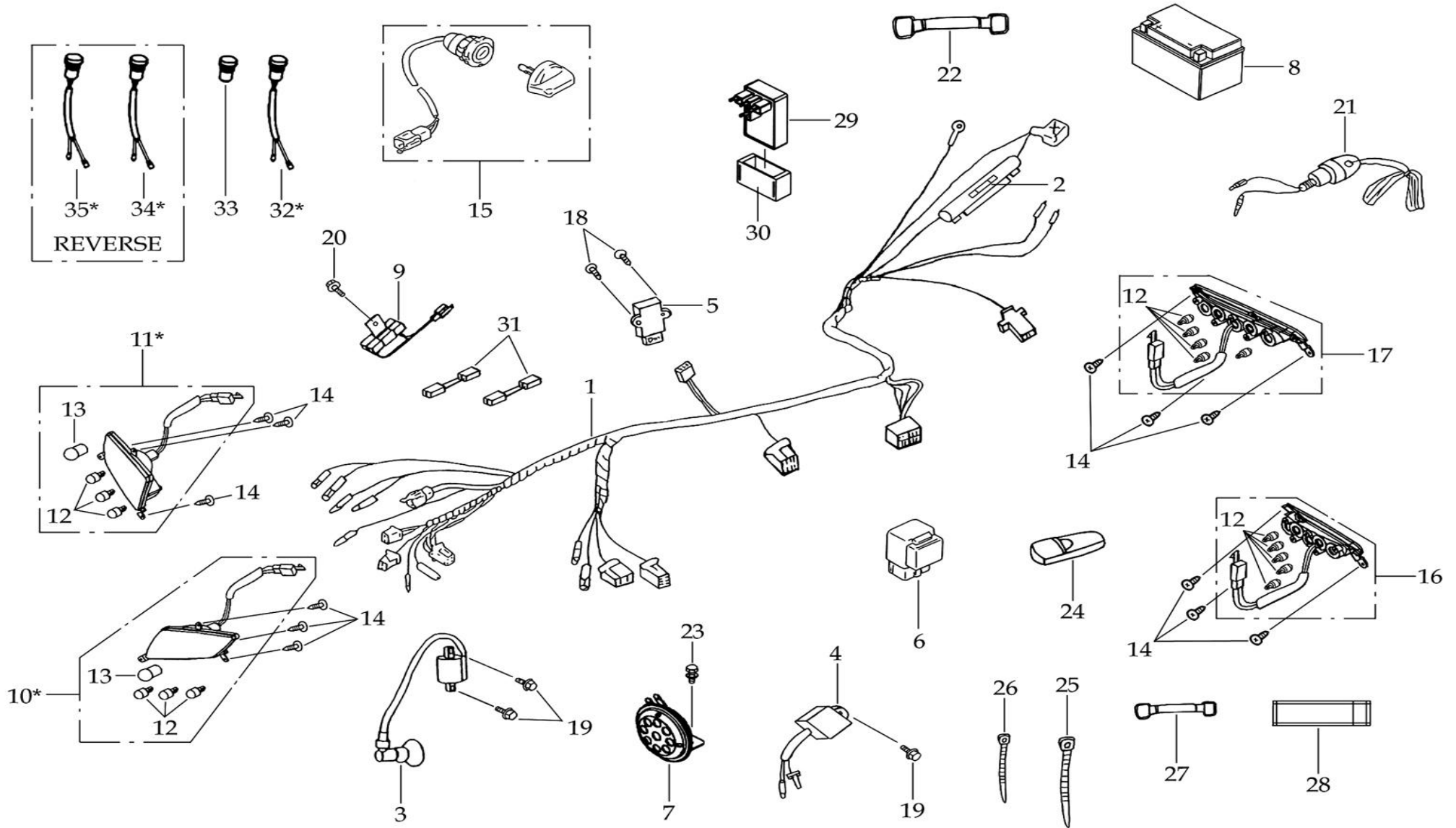
FRONT SUSPENSION(Dual A-arm)



FRONT SUSPENSIONE(Dual A-arm)

Model	Item	Part no	Description	Specification	Quantity
	01	F020572-98	ARM ASSEMBLY	LEFT SIDE	1
	02	F020574-98	UPPER,ARM ASSEMBLY	LEFT SIDE	1
	03	F020567-42	KNUCKLE, STEERING	LEFT SIDE	1
	04	F020576-00	SUSPENSION	K1=3.27,K2=4.5	2
	05		TIE-ROD CONNERTOR		2
	06	F020573-98	UPPER,ARM ASSEMBLY	RIGHT SIDE	1
	07	F020575-98	ARM ASSEMBLY	RIGHT SIDE	1
	08	F020568-42	KNUCKLE, STEERING	RIGHT SIDE	1
	09	A020001-00	BEARING,COLLAR	Ø16XØ25X18L	4
	10	F090041-00	SEAL, COVER		4
	11	A090014-00	COLLAR	Ø10XØ17X144L	2
	12	F050014-00	BEARING,COLLAR	Ø17XØ23X18L	8
	13	F090017-00	COLLAR	Ø10XØ17X50.3L	4
	14	F050018-00	SEAL, COVER		8
	15	F020140-00	GREASE VALVE		6
	16	A050174-41	HEX WASHER FACE BOLT	M10X1.25X170L	2
	17	A060007-41	INSERT LOCK NUT	M10X1.25	10
	18	A050142-41	HEX WASHER FACE BOLT	M10X1.25X75L	4
	19	A050001-41	HEX WASHER FACE BOLT	M10X1.25X40L	4
	20	A060024-42	HEX SLOTTED NUT	M10X1.25	4
	21	A050076-41	HEX WASHER FACE BOLT	M8X1.25X25L	4
	22	A070011-41	PIN	Ø2.5X32L	4

WIRE HARNESS(E06 ENGINE)



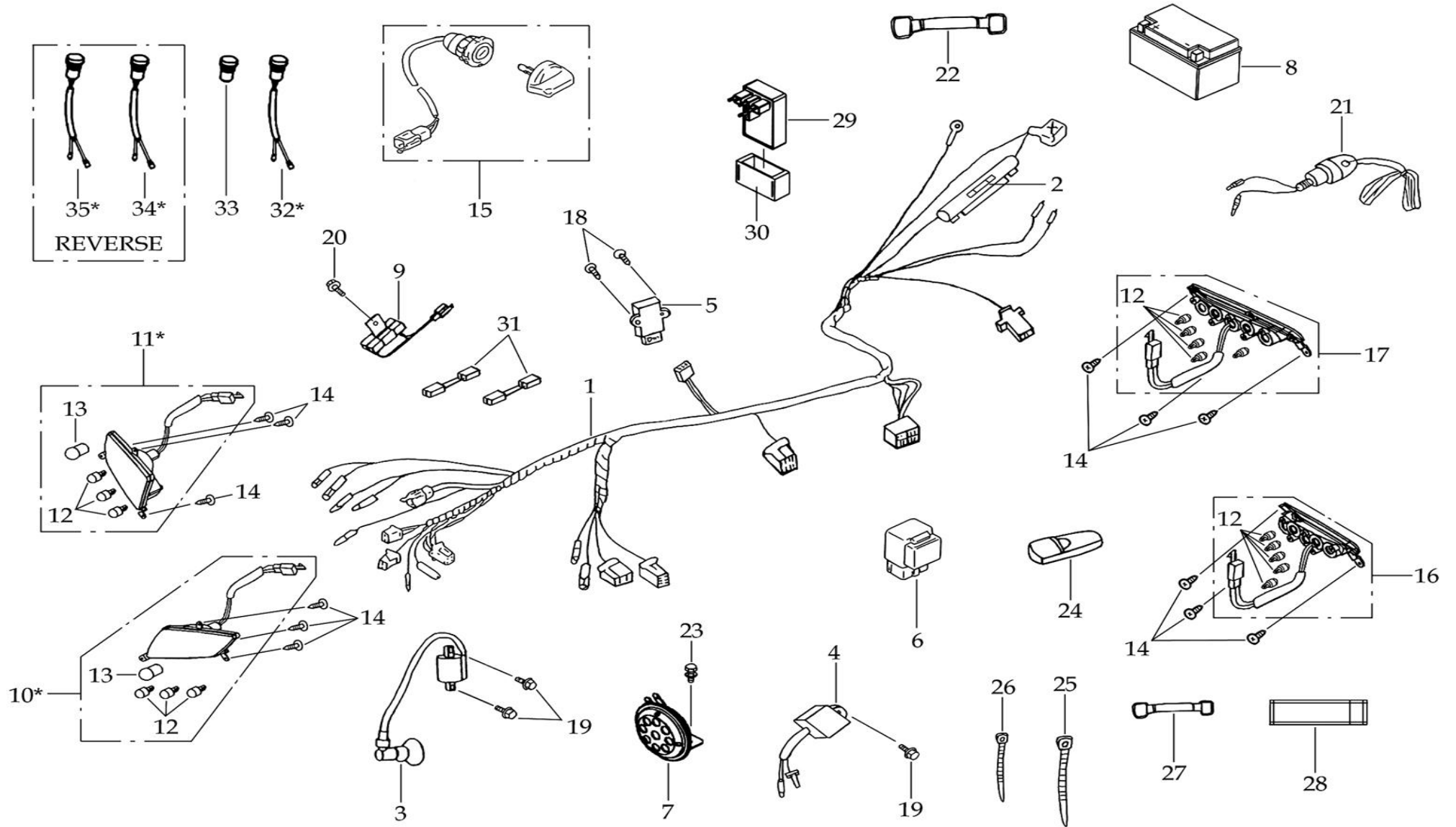
WIRE HARNESS(E06 ENGINE)

Model	Item	Part no	Description	Specification	Quantity
	01	F040069-00	MAIN WIRE ASSEMBLY		1
	02	A190050-00	FUSE	8A	1
	03	A190046-00	IGNITION COIL ASSEMBLY		1
	04	A190001-01	C.D.I. UNIT ASSEMBLY		1
	05	A190003-01	RECTIFIER & REGULATOR		1
	06	A190047-00	STARTER RELAY ASSEMBLY		1
	07	A190048-00	HORN		1
	08	F020042-00	BATTERY	YTX7A-BS	1
	09	A190008-00	RESISTOR		1
	10	F040025-00	HEAD LIGHT ASSEMBLY	LEFT SIDE	1
AD090	*	F040066-00	HEAD LIGHT ASSEMBLY	LEFT SIDE	1
	11	F040026-00	HEAD LIGHT ASSEMBLY	RIGHT SIDE	1
AD090	*	F040067-00	HEAD LIGHT ASSEMBLY	RIGHT SIDE	1
	12	A180048-00	BULB	12V-5W	16
	13	A180050-00	BULB	12V-10W	2
	14	A130002-43	TAPPING SCREW	4X12L	12
	15	F020182A01	MAIN SWITCH	DINLI LOGO	1
	16	F040027-00	REAR LIGHT ASSEMBLY	LEFT SIDE	1
	17	F040028-00	REAR LIGHT ASSEMBLY	RIGHT SIDE	1
	18	A050031-41	SLOTTED HEAD BOLT	M5X0.8X16L	2
	19	A050024-41	HEX WASHER FACE BOLT	M6X1.0X16L	3
	20	A050017-43	HEX WASHER FACE BOLT	M6X1.0X12L	1
	21	F020190-00	SAFETY SWITCH		1
	22	F020199-00	RUBBER BAND		1
	23	A050023-41	HEX BOLT	M6X1.0X16L	1
	24	F020189-00	TOOL KIT		1
	25	F020188-00	STRAP	L=177mm	26
	26	F040032-00	STRAP	L=140mm	5
	27	F030041-00	RUBBER BAND		1

AD090

0 Exclude

WIRE HARNESS(E06 ENGINE)

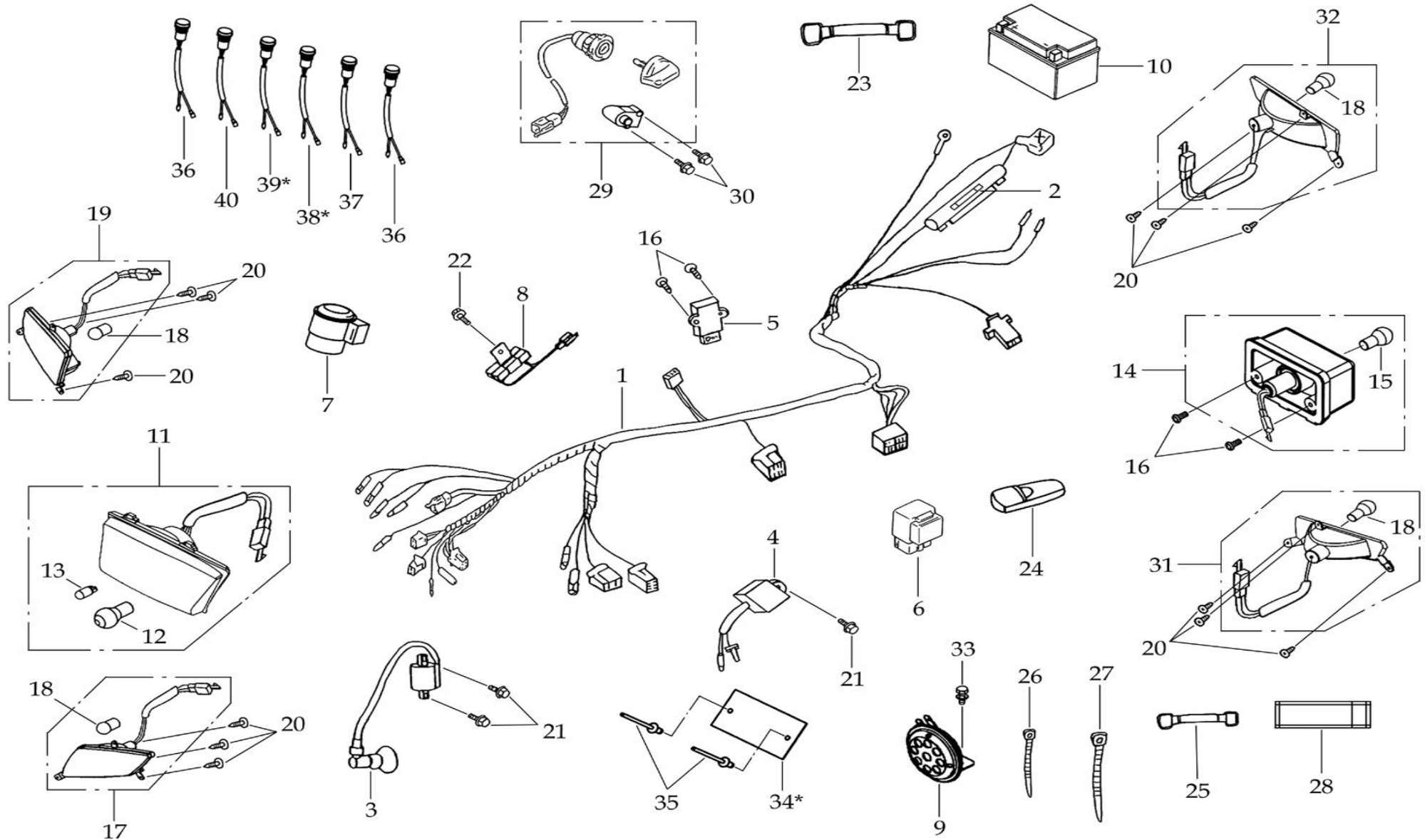


WIRE HARNESS(E06 ENGINE)

Model	Item	Part no	Description	Specification	Quantity	
	28	F040097-00	JACKET		1	
	29	F040023-00	TURN SIGNAL RELAY		1	
	30	F040024-00	RUBBER BAND		1	
	31	F040068-00	POWER CONNECTOR		2	
	32	A180040-00	INDICATOR,OIL LOW		1	
AD090	*	A180012-00	INDICATOR,OIL LOW		1	
AD090	33	A180013-00	PLUG		1	
	34	A180036-00	INDICATOR,REVERSE	"R" LOGO	1	Revers
AD090	*	A180002-00	INDICATOR,REVERSE	"R" LOGO	1	Revers
	35	A180023-00	INDICATOR,DRIVE	"D" LOGO	1	Revers
AD090	*	A180022-00	INDICATOR,DRIVE	"D" LOGO	1	Revers

se
se
se
se

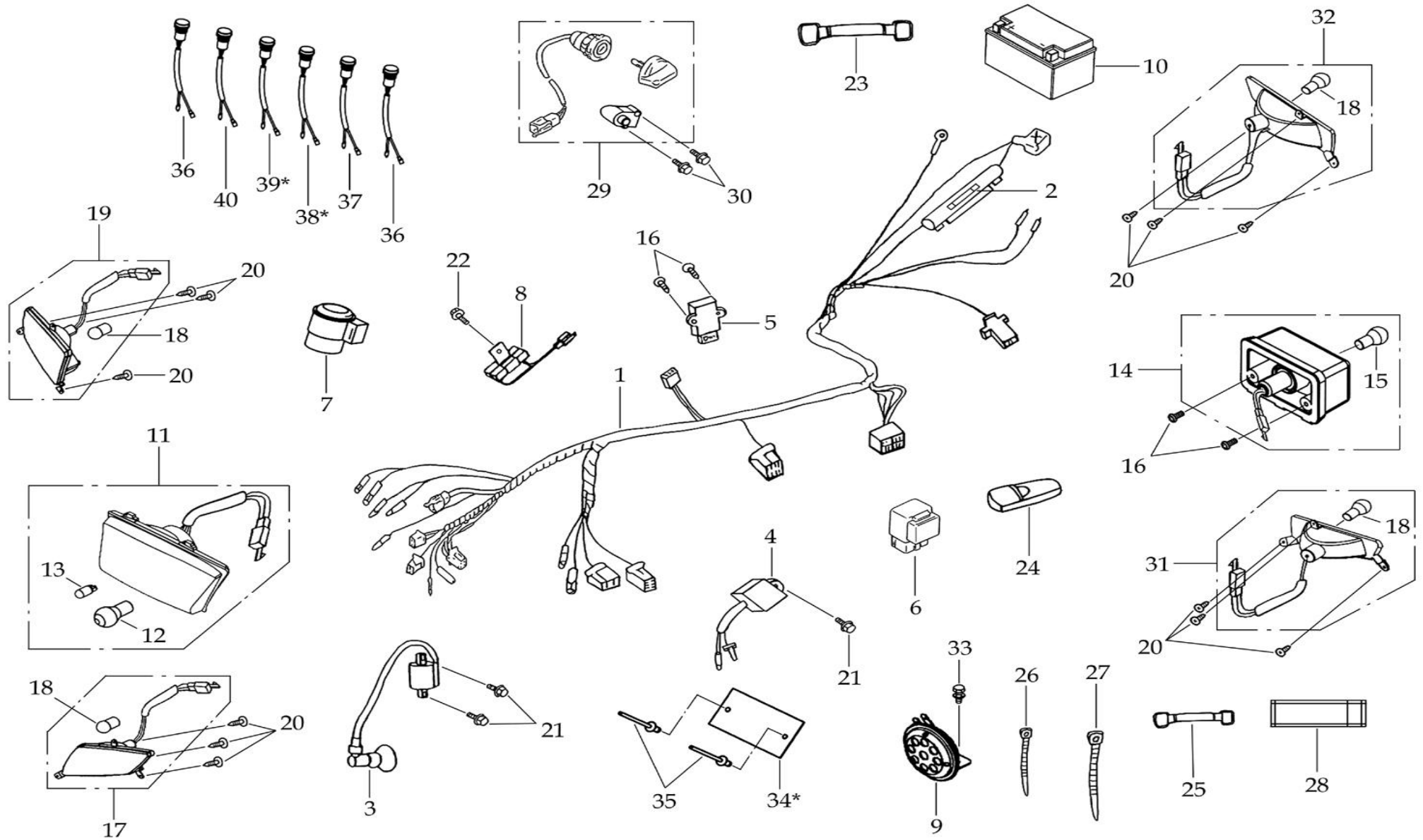
WIRE HARNESS E-MARK(E06 ENGINE)



WIRE HARNESS E-MARK(E06 ENGINE)

Model	Item	Part no	Description	Specification	Quantity
	01	F040107-00	MAIN WIRE		1
	02	A190050-00	FUSE	8A	1
	03	A190046-00	IGNITION COIL		1
	04	A190001-01	C.D.I. UNIT		1
	05	A190003-01	RECTIFIER		1
	06	A190047-00	STARTER RELAY		1
	07	A190049-00	FLASHER RELAY		1
	08	A190008-00	RESISTOR		1
	09	A190048-00	HORN		1
	10	F020042-00	BATTERY	YTX7A-BS	1
	11	F040083-00	HEAD LIGHT		1
	12	A180054-00	BULB	12V-35/35W,CE	1
	13	A180049-00	BULB	12V-5W,CE	1
	14	F040089-00	TAIL LIGHT		1
	15	A180053-00	BULB	P21/5W,CE	1
	16	A050031-41	SLOTTED HEAD BOLT	M5X0.8X16L	4
	17	F040084-00	TURN SIGNAL	LEFT SIDE	1
	18	A180051-00	BULB	12V/10W,CE	4
	19	F040085-00	TURN SIGNAL	RIGHT SIDE	1
	20	A130002-43	TAPPING SCREW	4X12L	12
	21	A050024-41	HEX WASHER FACE BOLT	M6X1.0X16L	3
	22	A050017-43	HEX WASHER FACE BOLT	M6X1.0X12L	1
	23	F020199-00	RUBBER BAND		1
	24	F020189-00	TOOL KIT		1
	25	F030041-00	RUBBER BAND		1
	26	F040032-00	STRAP	L=140mm	5
	27	F020188-00	STRAP	L=177mm	26
	28	F040097-00	JACKET		1
	29	F020306A01	MAIN SWITCH	DINLI LOGO	1

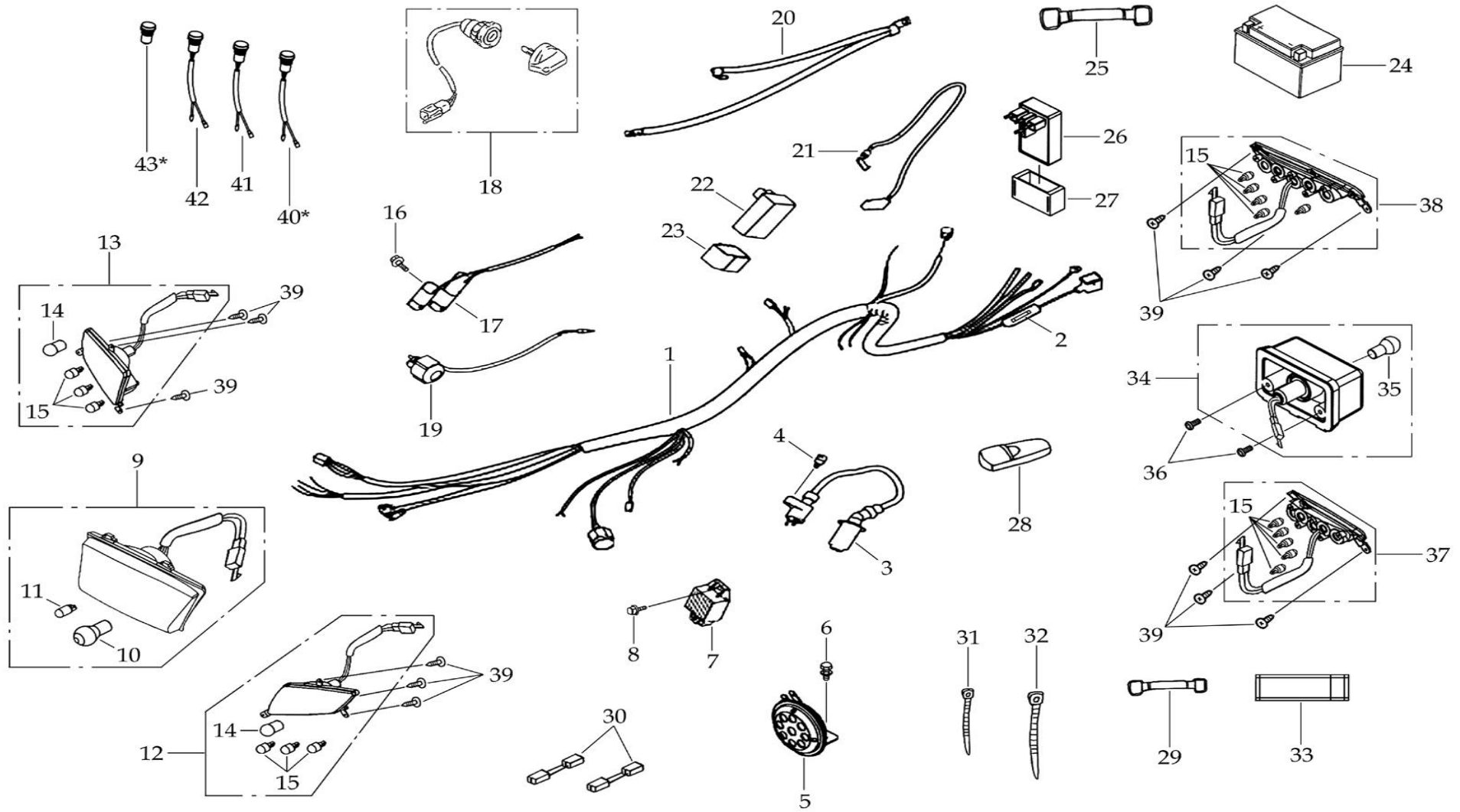
WIRE HARNESS E-MARK(E06 ENGINE)



WIRE HARNESS E-MARK(E06 ENGINE)

Model	Item	Part no	Description	Specification	Quantity
	30	A050090-41	SOLTTED HEAD BOLT	M6X1.0X8L	2
	31	F040086-00	TURN SIGNAL	LEFT SIDE	1
	32	F040087-00	TURN SIGNAL	RIGHT SIDE	1
	33	A050023-41	HEX BOLT	M6X1.0X16L	1
50cc.	34		LICENCE PLATE		1
100cc.	*		LICENCE PLATE		1
110cc.	*		LICENCE PLATE		1
	35	F020200-00	RIVET	Ø3X6L	2
	36	A180008-00	INDICATOR,TURN SIGNAL		2
	37	A180010-00	INDICATOR,HEAD LIGHT		1
	38	A180002-00	INDICATOR,REVERSE	"R" LOGO	1
	*	A180013-00	PLUG		1
	39	A180022-00	INDICATOR,DRIVE	"D" LOGO	1
	*	A180013-00	PLUG		1
	40	A180012-00	INDICATOR,OIL LOW		1

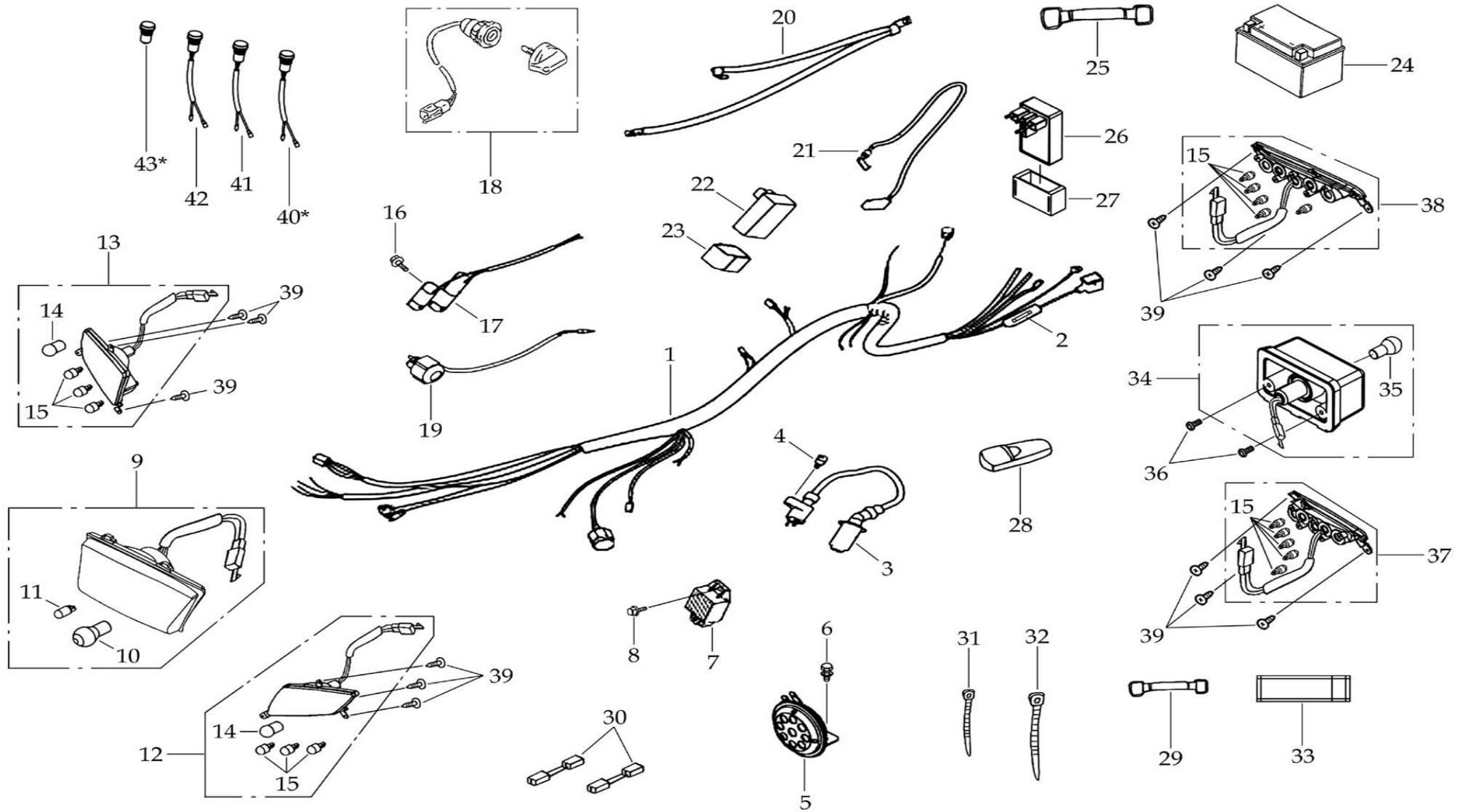
WIRE HARNESS(E02 ENGINE)



WIRE HARNESS(E02 ENGINE)

Model	Item	Part no	Description	Specification	Quantity
	01	F040112-00	MAIN WIRE ASSEMBLY		1
	02	A190050-00	FUSE	8A	1
	03	A190004-00	IGNITION COIL ASSEMBLY		1
	04	A050144-41	HEX WASHER FACE BOLT	M5X0.8X20L	1
	05	A190048-00	HORN		1
	06	A050023-41	HEX BOLT	M6X1.0X16L	1
	07	A190007-01	RECTIFIER & REGULATOR		1
	08	A050024-41	HEX WASHER FACE BOLT	M6X1.0X16L	1
GM150	09	F040083-00	HEAD LIGHT		1
GM150	10	A180054-00	BULB	12V-35/35W,CE	1
GM150	11	A180049-00	BULB	12V-5W,CE	1
	12	F040025-00	HEAD LIGHT ASSEMBLY	LEFT SIDE	1
	13	F040026-00	HEAD LIGHT ASSEMBLY	RIGHT SIDE	1
	14	A180050-00	BULB	12V-10W	2
	15	A180048-00	BULB	12V-5W	16
	16	A050081-43	HEX WASHER FACE BOLT	M6X1.0X10L	1
	17	A190006-00	RESISTOR		1
	18	F020182A01	MAIN SWITCH	DINLI LOGO	1
	19	A190002-00	STARTER RELAY ASSEMBLY		1
	20	F040111-00	NEGATIVE POLE WIRE		1
	21	F040110-00	POSITIVE WIRE		1
	22	A190005-01	C.D.I. UNIT ASSEMBLY		1
	23	F020431-00	C.D.I. CAP		1
	24	F020042-00	BATTERY	YTX7A-BS	1
	25	F020199-00	RUBBER BAND		1
	26	F040023-00	CONTROL RELAY		1
	27	F040024-00	CONTROL RELAY BAND		1
	28	F020189-00	TOOL KIT		1
	29	F030041-00	RUBBER BAND		1

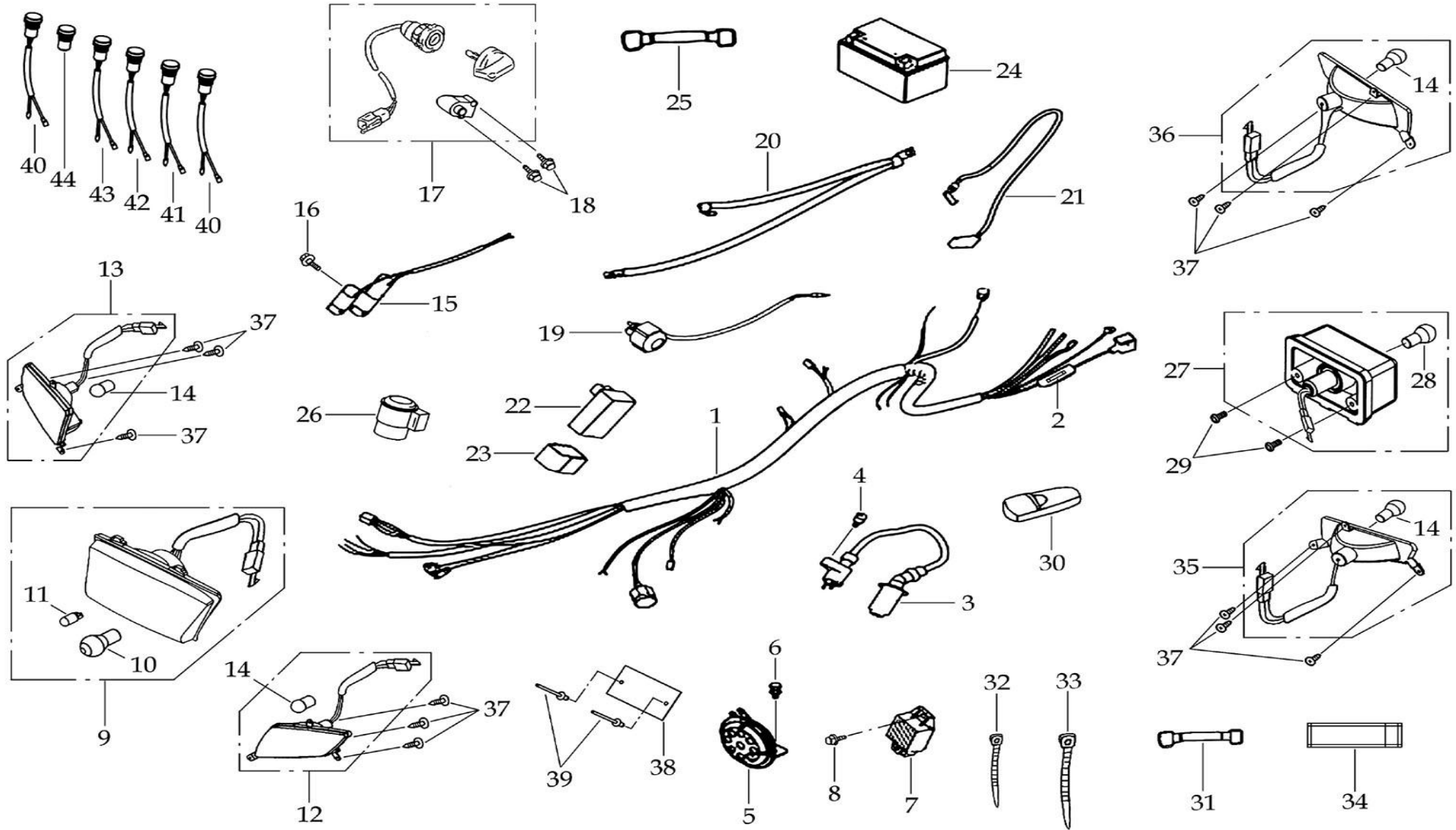
WIRE HARNESS(E02 ENGINE)



WIRE HARNESS(E02 ENGINE)

Model	Item	Part no	Description	Specification	Quantity
	30	F040068-00	MAIN WIRE CONNECTOR		2
	31	F040032-00	STRAP	L=140mm	5
	32	F020188-00	STRAP	L=177mm	26
	33	F040097-00	JACKET		1
	34	F040089-00	TAIL LIGHT		1
	35	A180053-00	BULB	P21/5W,CE	1
	36	A050031-41	SLOTTED HEAD BOLT	M5X0.8X16L	2
	37	F040027-00	REAR LIGHT ASSEMBLY	LEFT SIDE	1
	38	F040028-00	REAR LIGHT ASSEMBLY	RIGHT SIDE	1
	39	A130002-43	TAPPING SCREW	4X12L	12
GM150	40	A180010-00	INDICATOR,HEAD LIGHT		1
	*	A180013-00	PLUG		1
	41	A180002-00	INDICATOR,REVERSE	"R" LOGO	1
	42	A180022-00	INDICATOR,DRIVE	"D" LOGO	1
	43	A180013-00	PLUG		1
GM150	*	A180013-00	PLUG		3

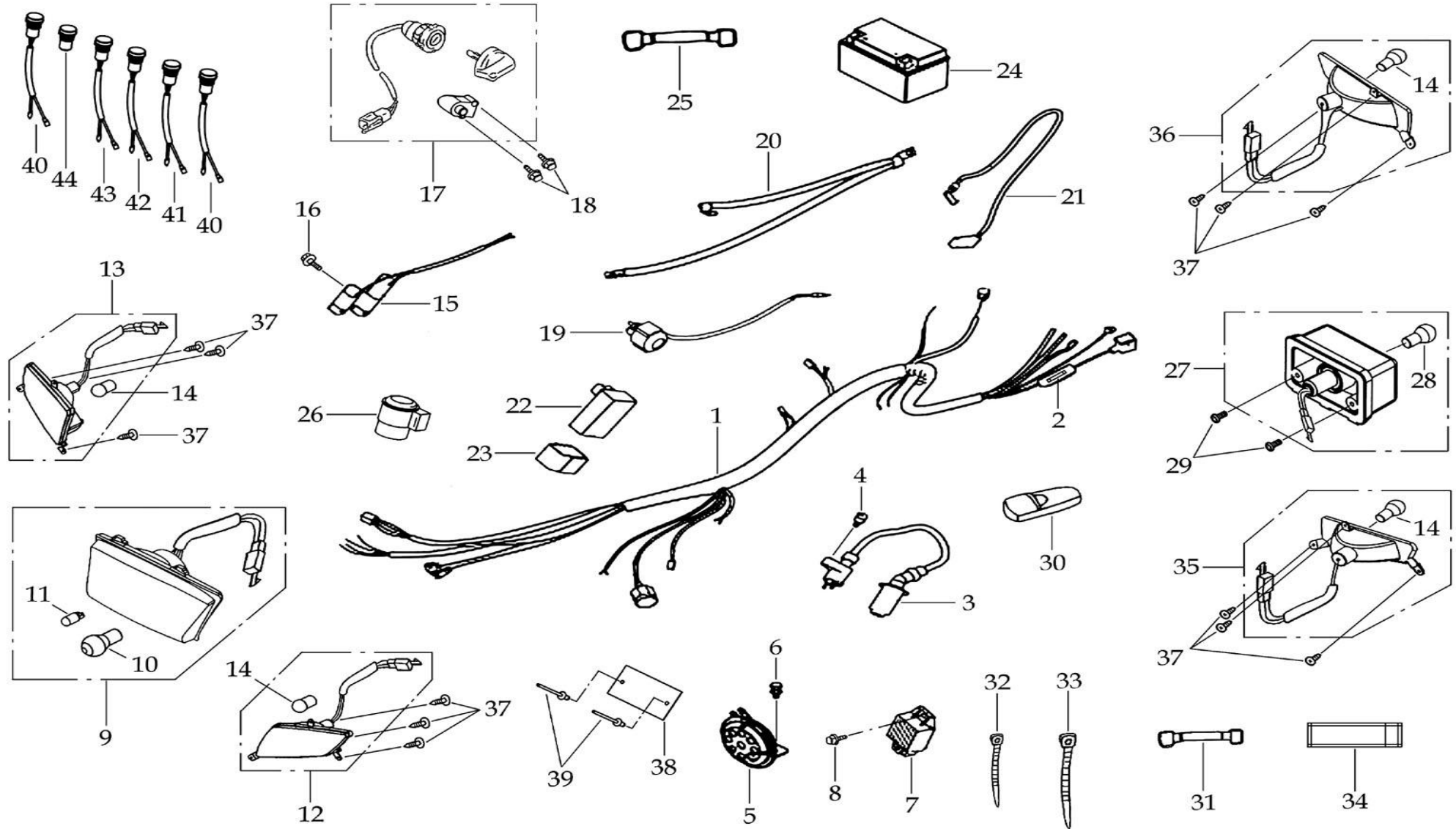
WIRE HARNESS E-MARK(E02 ENGINE)



WIRE HARNESS E-MARK(E02 ENGINE)

Model	Item	Part no	Description	Specification	Quantity
	01	F040109-00	MAIN WIRE ASSEMBLY		1
	02	A190050-00	FUSE	8A	1
	03	A190004-00	IGNITION COIL ASSEMBLY		1
	04	A050144-41	HEX WASHER FACE BOLT	M5X0.8X20L	1
	05	A190048-00	HORN		1
	06	A050023-41	HEX BOLT	M6X1.0X16L	1
	07	A190007-01	RECTIFIER & REGULATOR		1
	08	A050024-41	HEX WASHER FACE BOLT	M6X1.0X16L	1
	09	F040083-00	HEAD LIGHT		1
	10	A180054-00	BULB	12V-35/35W,CE	1
	11	A180049-00	BULB	12V-5W,CE	1
	12	F040084-00	TURN SIGNAL	LEFT SIDE	1
	13	F040085-00	TURN SIGNAL	RIGHT SIDE	1
	14	A180051-00	BULB	12V/10W,CE	4
	15	A190006-00	RESISTOR		1
	16	A050081-43	HEX WASHER FACE BOLT	M6X1.0X10L	1
	17	F020306A01	MAIN SWITCH	DINLI LOGO	1
	18	A050090-41	SOLTTED HEAD BOLT	M6X1.0X8L	2
	19	A190002-00	STARTER RELAY		1
	20	F040111-00	NEGATIVE POLE WIRE		1
	21	F040110-00	POSITIVE WIRE		1
	22	A190005-01	C.D.I. UNIT		1
	23	F020431-00	RUBBER BAND		1
	24	F020042-00	BATTERY	YTX7A-BS	1
	25	F020199-00	RUBBER BAND		1
	26	A190049-00	FLASHER RELAY		1
	27	F040089-00	TAIL LIGHT		1
	28	A180053-00	BULB	P21/5W,CE	1
	29	A050031-41	SLOTTED HEAD BOLT	M5X0.8X16L	2

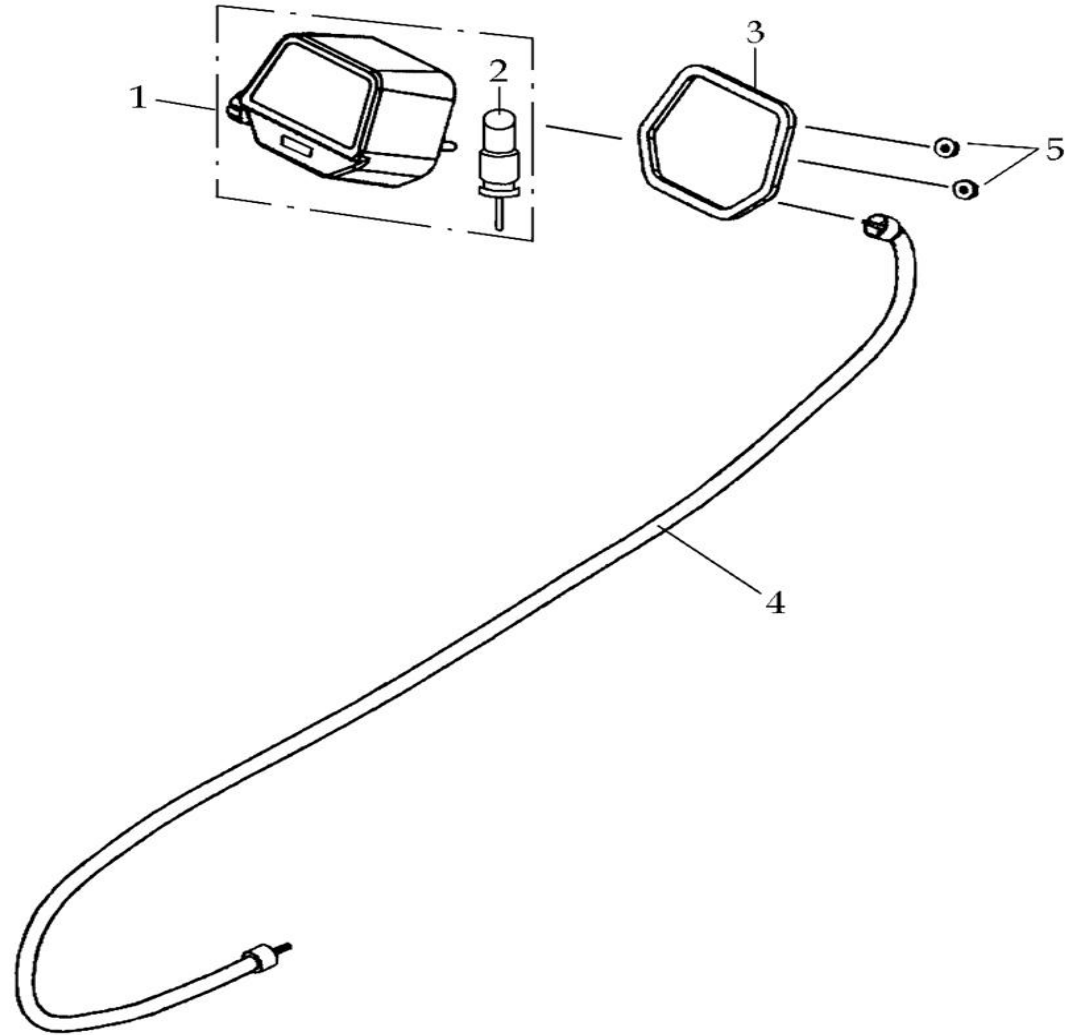
WIRE HARNESS E-MARK(E02 ENGINE)



WIRE HARNESS E-MARK(E02 ENGINE)

Model	Item	Part no	Description	Specification	Quantity
	30	F020189-00	TOOL KIT		1
	31	F030041-00	RUBBER BAND		1
	32	F040032-00	STRAP	L=140mm	5
	33	F020188-00	STRAP	L=177mm	26
	34	F040097-00	JACKET		1
	35	F040086-00	TURN SIGNAL	LEFT SIDE	1
	36	F040087-00	TURN SIGNAL	RIGHT SIDE	1
	37	A130002-43	TAPPING SCREW	4X12L	12
	38		LICENCE PLATE		1
	39	F020200-00	RIVET	Ø3X6L	2
	40	A180008-00	INDICATOR,TURN SIGNAL		2
	41	A180010-00	INDICATOR,HEAD LIGHT		1
	42	A180002-00	INDICATOR,REVERSE	"R" LOGO	1
	43	A180022-00	INDICATOR,DRIVE	"D" LOGO	1
	44	A180013-00	PLUG		1

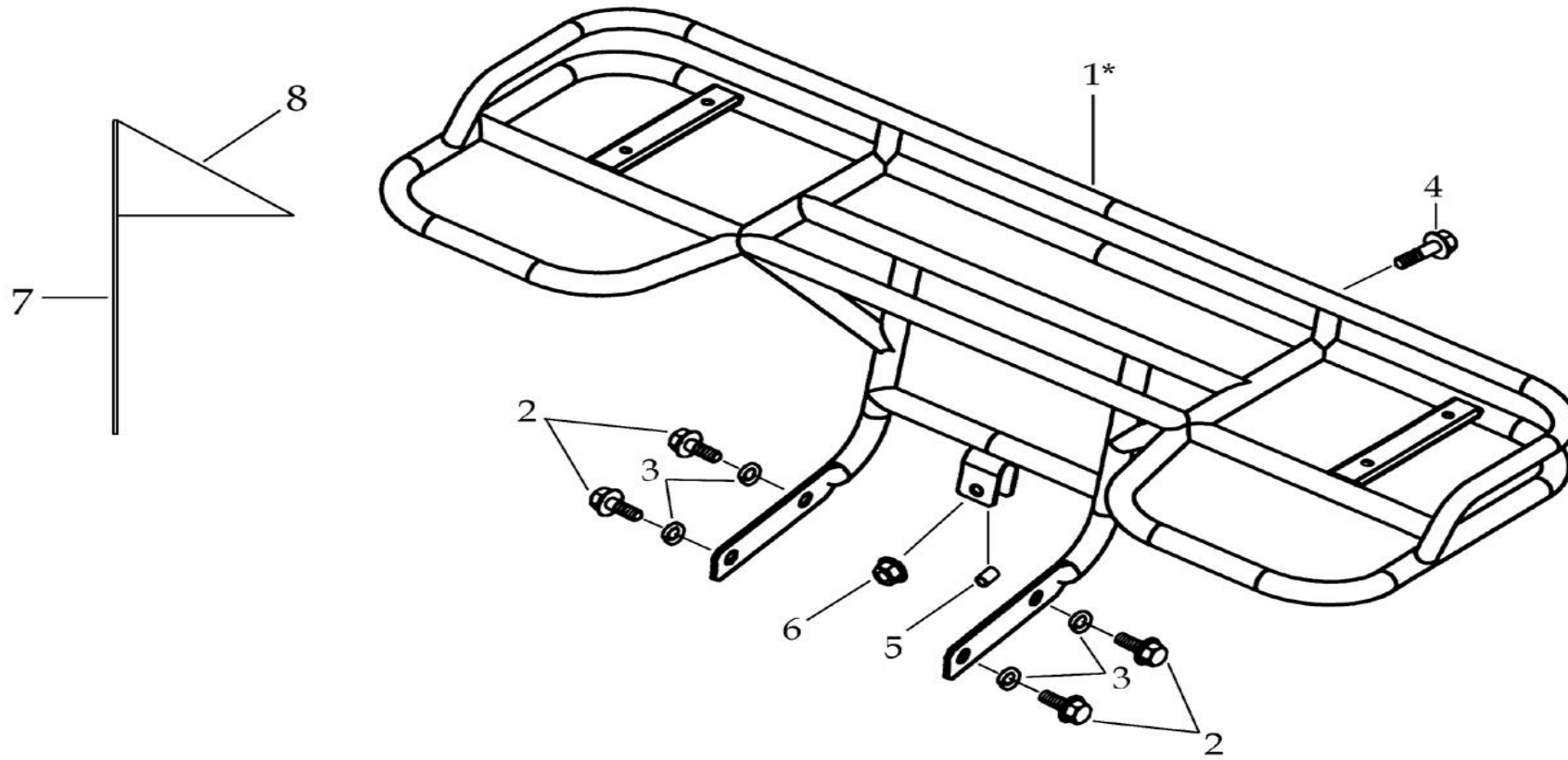
SPEEDOMETER



SPEEDOMETER

Model	Item	Part no	Description	Specification	Quantity
	01	F020235-01	SPEEDOMETER		1
	02	A180047-00	BULB	12V-3.4W	1
	03	F020231-00	DUMP		1
	04	F020236-00	SPEEDOMETER CABLE		1
	05	A060054-00	FAST FLANGE NUT	M5X0.8	2

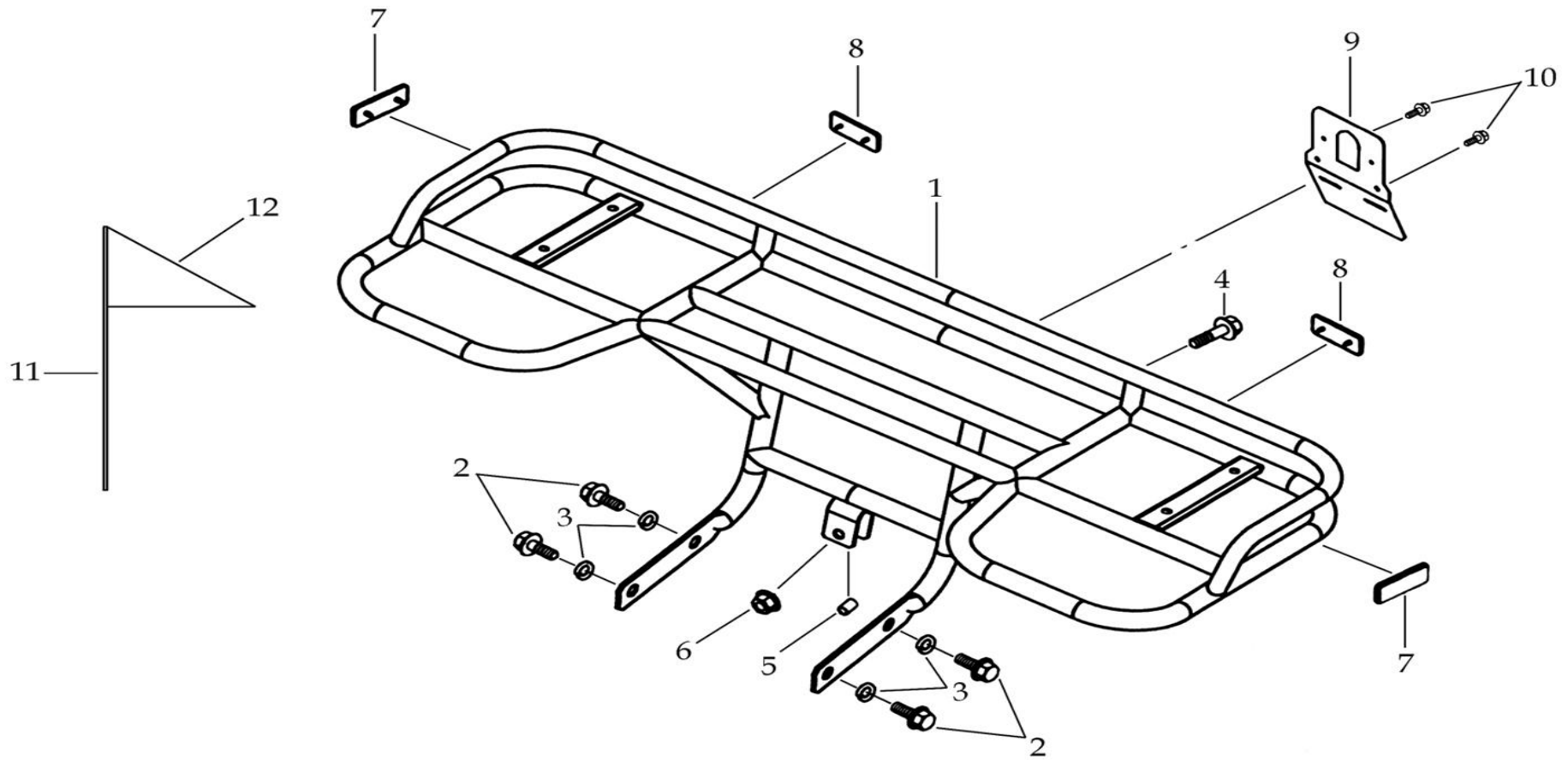
RACK



RACK

Model	Item	Part no	Description	Specification	Quantity
	01	F040029F48	RACK	BLACK	1
	02	A050058-41	HEX WASHER FACE BOLT	M10X1.5X15L	4
	03	A080009-41	SPRING WASHER	Ø10.2X3.7X2.5t	4
	04	A050014-41	HEX WASHER FACE BOLT	M8X1.25X40L	1
	05	F040031-41	COLLAR	Ø8.5XØ15X22.5L	1
	06	A060014-41	INSERT LOCK NUT	M8X1.25	1
	07	A990170-00	FLAGPOLE		1
	08	A990161-01	FLAG		1

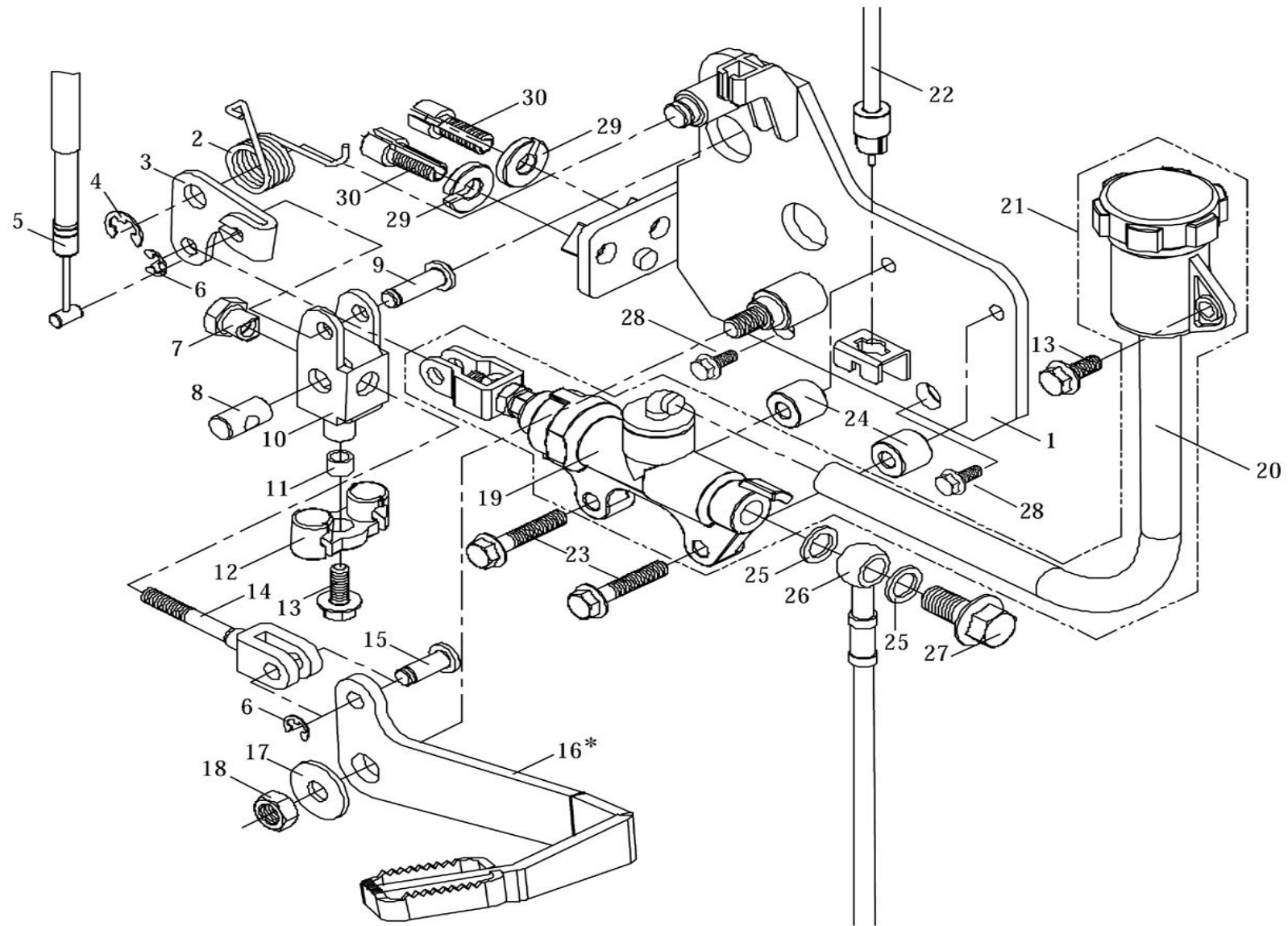
RACK,E-MARK



RACK,E-MARK

Model	Item	Part no	Description	Specification	Quantity
	01	F040029F48	RACK	BLACK	1
	02	A050058-41	HEX WASHER FACE BOLT	M10X1.5X15L	4
	03	A080009-41	SPRING WASHER	Ø10.2X3.7X2.5t	4
	04	A050014-41	HEX WASHER FACE BOLT	M8X1.25X40L	1
	05	F040031-41	COLLAR	Ø8.5XØ15X22.5L	1
	06	A060014-41	INSERT LOCK NUT	M8X1.25	1
	07	F020266-00	SIDE REFLECTOR	YELLOR	2
	08	F020265-00	REAR REFLECTOR	RED	2
	09	F040077-50	REAR LIGHT BRACKET		1
	10	A050081-43	HEX WASHER FACE BOLT	M6X1.0X10L	2
	11	A990170-00	FLAGPOLE		1
	12	A990161-01	FLAG		1

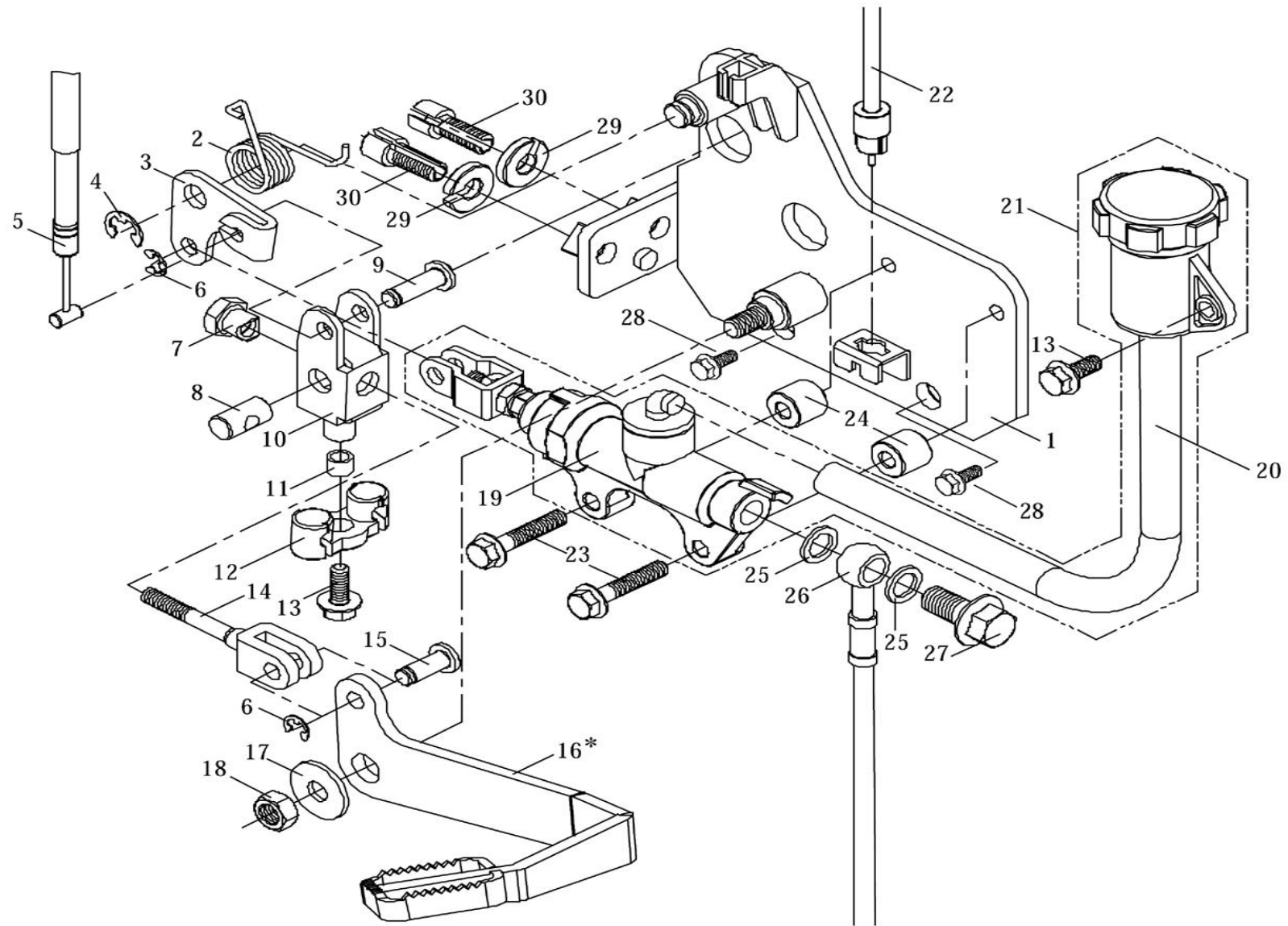
FOOT BRAKE SYSTEM



FOOT BRAKE SYSTEM

Model	Item	Part no	Description	Specification	Quantity
	01	F020385-00	CONTROL BASE,FOOT BRAKE		1
	02	A110021-42	TORSION SPRING		1
	03	F020374-42	HAND BRAKE LEVER ROD		1
	04	A100017-43	E CLIP	Ø8	1
	05	F020391-00	HAND BRAKE CABLE		1
	06	A100016-43	E CLIP	Ø5	2
	07	A060036-42	BRAKE ADJUST NUT		1
	08	F020377-42	PIN		1
	09	A070020-42	HEAD PIN	Ø7X20L	1
	10	F020375-42	BALANCE ROD		1
	11	F020381-42	BUSH	Ø6XØ8.5X6.5L	1
	12	F020382-00	BRAKE BALANCE ROD		1
	13	A050024-41	HEX WASHER FACE BOLT	M6X1.0X16L	2
	14	F020373A42	BRAKE TIE ROD		1
	15	A070021-42	HEAD PIN	Ø7X15L	1
E06	16	F040105-42	FOOT BRAKE PEDAL		1
E02	*	F040106-42	FOOT BRAKE PEDAL		1
	17	A080059-41	PLAIN WASHER	Ø8.4XØ24X2t	1
	18	A060014-41	INSERT LOCK NUT	M8X1.25	1
	19	F020428-00	FOOT BRAKE PUMP		1
	20	F020429-00	TUBE,FOOT BRAKE PUMP		1
	21	F020389-00	OIL PUMP		1
	22	F070020-00	BRAKE SENSOR		1
	23	A050134-41	HEX WASHER FACE BOLT	M6X1.0X32L	2
	24	F020378-42	COLLAR	Ø6.2XØ15X13L	2
	25	A080011-00	PLAIN WASHER	Ø10.3XØ15X1.5t	4
	26	F020390-00	TUBE		1

FOOT BRAKE SYSTEM



FOOT BRAKE SYSTEM

Model	Item	Part no	Description	Specification	Quantity
	26	F020390-00	TUBE		1
	27	A050009-44	HEX WASHER FACE BOLT	M10X1.25X22L	2
	28	A050021-41	HEX WASHER FACE BOLT	M10X1.5X20L	2
	29	A060037-44	ADJUSTING NUT		2
	30	A050133-44	ADJUSTING BOLT		2

STICKERS

MANUFACTURED BY: DINLI METAL IND. CO., LTD.			
GVWR: 195 LBS	DATE OF MFG:		
GAWR:	TIRE-DIMENSION-RIM	PSI COLD	
FRONT: 95 LBS	19 X 7 - 8	2.6	
REAR: 100 LBS	18 X 9.5 - 8	3.0	
THIS VEHICLE CONFORMS TO ALL APPLICABLE U.S. FEDERAL MOTOR VEHICLE SAFETY STANDARDS (FMVSS) IN EFFECT ON THE DATE OF MANUFACTURE SHOWN ABOVE.			
VEHICLE TYPE : 50 CC ATV			

1*

WARNING

Never change the transmission into forward Or reverse while the vehicle is running

Before shifting the vehicle must be stopped and throttle lever returned to its closed position. Otherwise the transmission may be damaged.

Make sure the drive select lever is completely shifted to correct position. Follow the instruction in the owner's manual to change the transmission correctly



4




2

The owner's manual contains important safety information and instructions which should be read carefully before operating the vehicle. If the vehicle has been resold, obtain the owner's manual from the previous owner or contact your local dealer for assistance.


3

WARNING


Improper ATV use can result in SEVERE INJURY or DEATH



ALWAYS USE AN APPROVED HELMET AND PROTECTIVE CLOTHES



NEVER CARRY PASSENGERS



NEVER USE WITH DRUGS OR ALCOHOL

NEVER operate:

- without proper training or instruction.
- with a passenger-passengers affect balance and steering and increase risk of losing control.
- at speeds too fast for your skills or the conditions.

ALWAYS:

- use proper riding techniques to avoid vehicle overturns on hills and rough terrain and in turns.
- shut off engine, avoid sparks and open flame when refueling.

LOCATE AND READ OWNER'S MANUAL. FOLLOW ALL INSTRUCTIONS AND WARNINGS.

FOR e-MARK ONLY ATV-01

5*

WARNING

IMPROPER TIRE PRESSURE OR OVERLOADING CAN CAUSE LOSS OF CONTROL. LOSS OF CONTROL CAN RESULT IN SEVERE INJURY OR DEATH.

OPERATING TIRE PRESSURE: Set with tires cold

- Recommended : FRONT : 20 kPa, { 0.2 kgf/cm² }, 2.8psi
REAR : 25 kPa, { 0.25 kgf/cm² }, 3.6psi
- Minimum : FRONT : 17 kPa, { 0.17 kgf/cm² }, 2.4psi
REAR : 22 kPa, { 0.22 kgf/cm² }, 3.1psi

• Never set tire pressure below minimum. It could cause the tire to dislodge from the rim.

LOADING

- Maximum Vehicle Load : 68 kg, (150 lbs)
Includes weight of operator, cargo and accessories.


ATV-02

6*

WARNING

Operating this ATV if you are under the age of 6 increases your chance of severe injury or death. Adult supervision and instruction are required.

NEVER operate this **ATV** if you are under age 6.



ATV-05

7*

WARNING

NEVER ride as a passenger.

Passengers can cause a loss of control, resulting in SEVERE INJURY or DEATH.



ATV-04

8

STICKERS

Model	Item	Part no	Description	Specification	Quantity
50cc.	01		LABEL		1
50cc.	*		LABEL		1
90cc.	*		LABEL		1
110cc.	*		LABEL		1
150cc.	*		LABEL		1
	02	A990129-00	DECAL		1
	03	A990149-00	LABEL		1
	04	A990150-00	LABEL		1
	05	A990032-00	PROPER ATV USE LABEL		1
	*	A990032-01	PROPER ATV USE LABEL		1
50cc.	06	A990138-00	WARRING LABEL	68Kg	1
90~150cc.	*	A990138-01	WARRING LABEL	88.4Kg	1
50cc.	07	A990135-00	WARRING LABEL	Y-6	1
90cc.	*	A990135-01	WARRING LABEL	Y-12	1
110/150cc.	*	A990135-02	WARRING LABEL	Y-16	1
	08	A990033-00	NO PASSENGER LABEL		1

7" TIR

8" TIR

E
E