

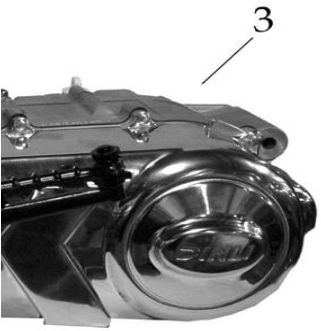
ENGINE



E06 ENGINE



E02 ENGINE

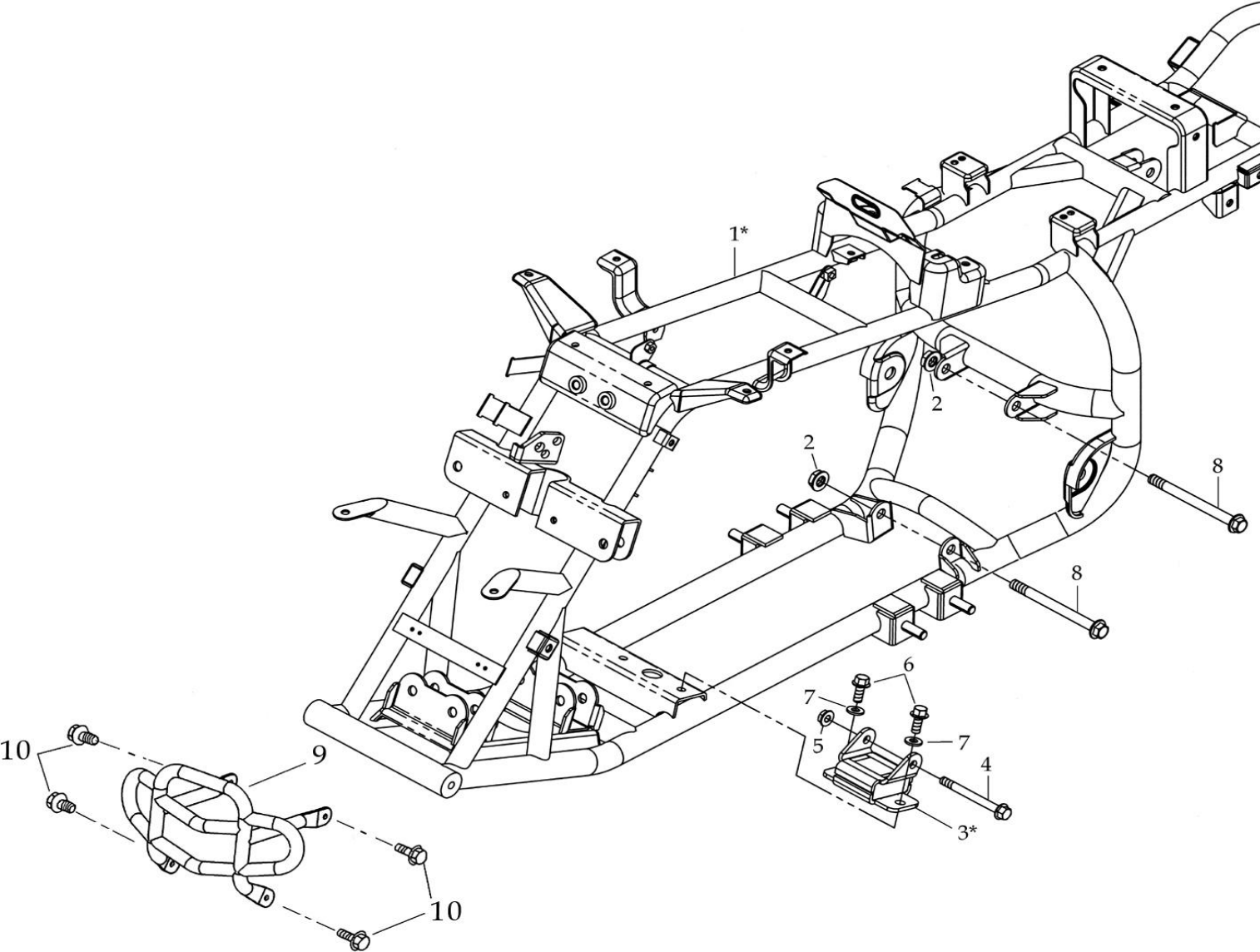


D1023-011A

ENGINE

| Model | Item | Part no | Description | Specification | Quantity |
|--------|------|------------|-------------|--------------------|----------|
| 50cc. | 01 | E060000A01 | E06 ENGINE | L/R.GEAR+S , WJ , | 1 |
| | * | E060000A02 | E06 ENGINE | L.GEAR+S , WJ , 16 | 1 |
| | * | E060000A03 | E06 ENGINE | L.GEAR , WFZ , 16T | 1 |
| | * | E060000A25 | E06 ENGINE | L/R.GEAR , WFZ , | 1 |
| | * | E060000A29 | E06 ENGINE | L.GEAR+S , WFZ , 1 | 1 |
| | * | E060000A30 | E06 ENGINE | L/R.GEAR+S , WFZ | 1 |
| 100cc. | 02 | E060000A04 | E06 ENGINE | H/R.GEAR+S , WJ , | 1 |
| | * | E060000A05 | E06 ENGINE | H.GEAR+S , WJ , 16 | 1 |
| | * | E060000A10 | E06 ENGINE | H.GEAR , WJ , 16T | 1 |
| | * | E060000A21 | E06 ENGINE | H.GEAR , WFZ , 16 | 1 |
| | * | E060000A22 | E06 ENGINE | H.GEAR+S , WFZ , | 1 |
| | * | E060000A27 | E06 ENGINE | H/R.GEAR , WFZ , | 1 |
| | * | E060000A28 | E06 ENGINE | H/R.GEAR+S , WFZ | 1 |
| 150cc. | 03 | E020000A01 | E02 ENGINE | H/R.GEAR+S , WVI | 1 |

FRAME



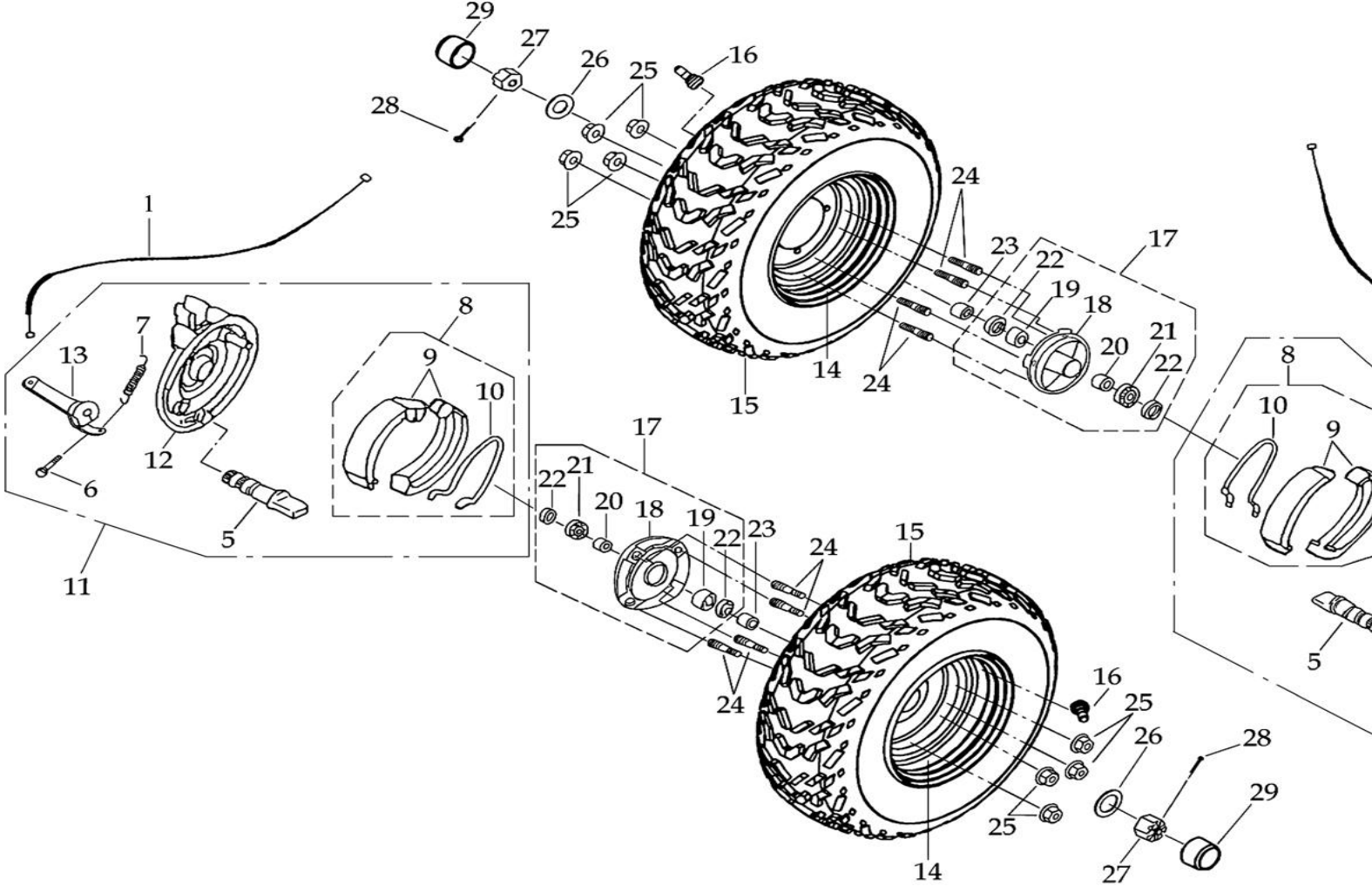


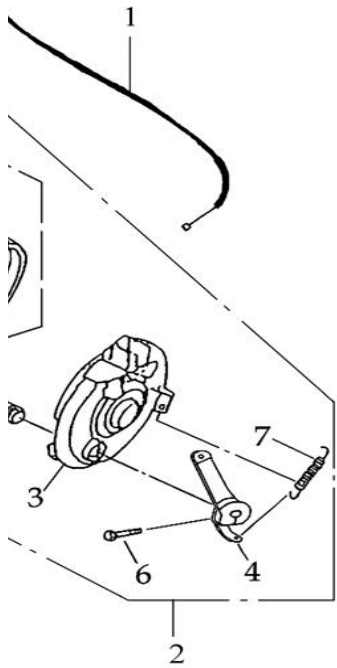
D1023-021B

FRAME

| Model | Item | Part no | Description | Specification | Quantity |
|-------|------|------------|----------------------|---------------|----------|
| E06 | 01 | F080008-48 | FRAME | | 1 |
| E02 | * | F080019-48 | FRAME | E02 ENGINE | 1 |
| | 02 | A060007-41 | INSERT LOCK NUT | M10X1.25 | 2 |
| E06 | 03 | F020130-00 | DAMPER , ENGINE | | 1 |
| E02 | * | F020404-00 | DAMPER , ENGINE | | 1 |
| | 04 | A050012-41 | HEX WASHER FACE BOLT | M8X1.25X80L | 1 |
| | 05 | A060014-41 | INSERT LOCK NUT | M8X1.25 | 1 |
| | 06 | A050057-41 | HEX WASHER FACE BOLT | M8X1.25X15L | 2 |
| | 07 | A080012-41 | SPRING WASHER | Ø8.2X3.2X2t | 2 |
| | 08 | A050068A41 | HEX WASHER FACE BOLT | M10X1.25X115L | 2 |
| | 09 | F080013-54 | BUMPER | | 1 |
| | 10 | A050020-41 | HEX WASHER FACE BOLT | M8X1.25X12L | 4 |

FRONT WHEEL(7" TIRE)



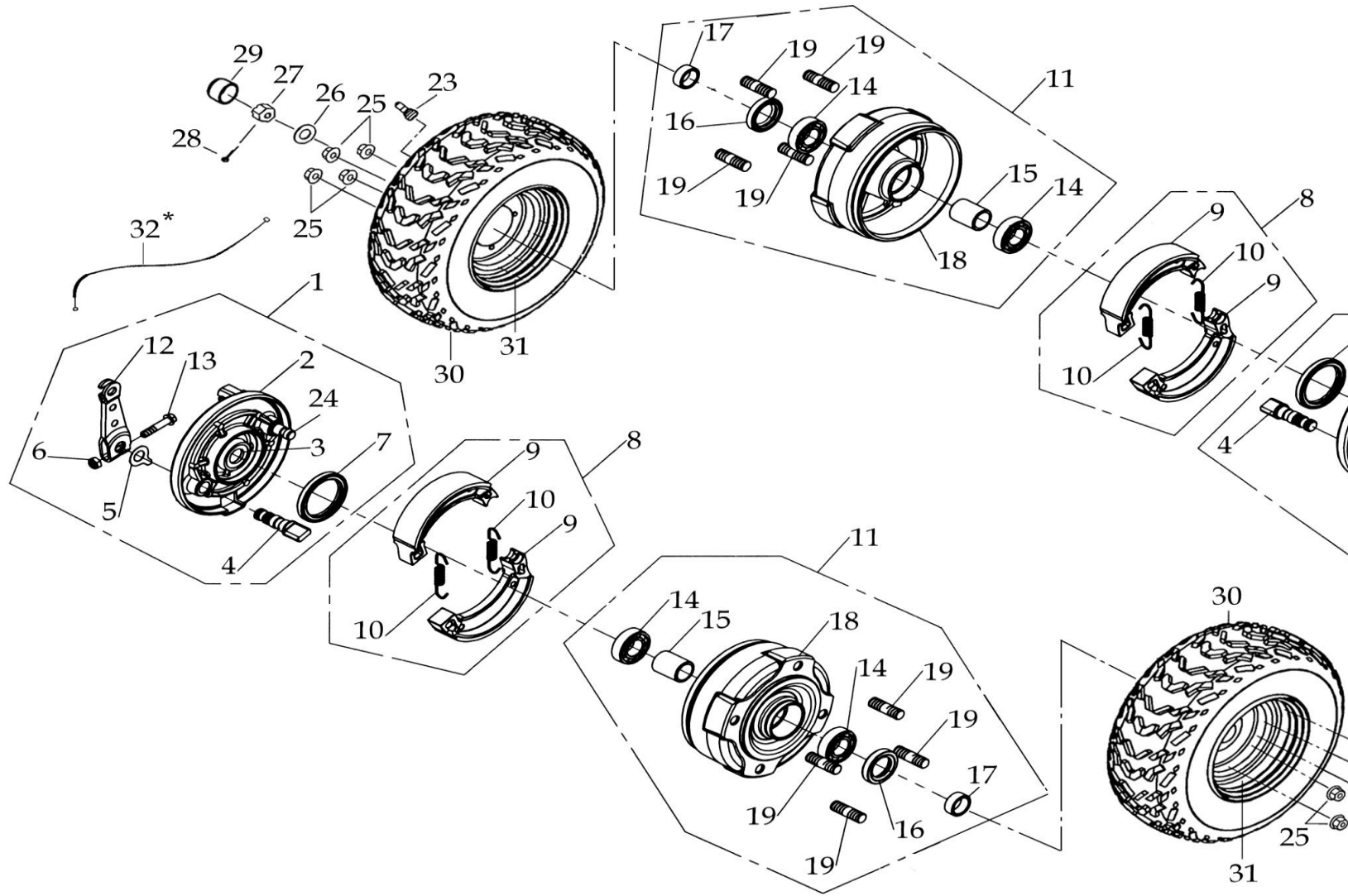


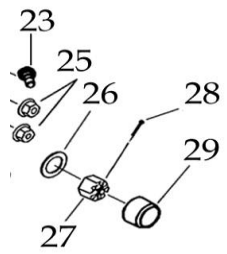
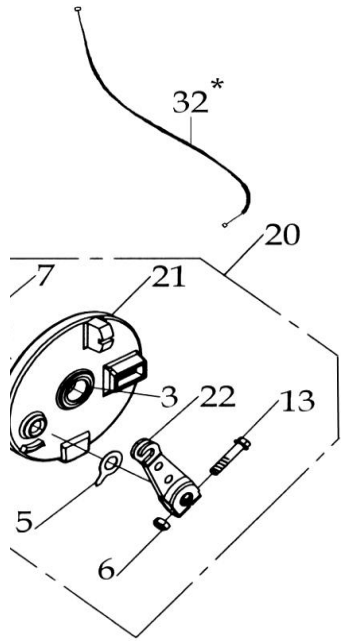
D1023-031A

FRONT WHEEL(7"TIRE)

| Model | Item | Part no | Description | Specification | Quantity |
|-------|------|------------|----------------------------|----------------|----------|
| | 01 | F020163-00 | FRONT BRAKE CABLE | M10X1.25X115L | 2 |
| | 02 | F020284-00 | FRONT BRAKE PLATE ASSEMBLY | RIGHT SIDE | 1 |
| | 03 | | FRONT BRAKE PLATE | RIGHT SIDE | 1 |
| | 04 | | FRONT BRAKE ARM | RIGHT SIDE | 1 |
| | 05 | | FRONT BRAKE CAM SHAFT | | 2 |
| | 06 | | HEX WASHER FACE BOLT | M5X0.8X24L | 2 |
| | 07 | | STRAIN SPRING | | 2 |
| | 08 | F020296-00 | FRONT BRAKE SHOE ASSY. | Ø85 | 2 |
| | 09 | | FRONT BRAKE SHOE | Ø85 | 2 |
| | 10 | | FRONT RETURN SPRING | | 2 |
| | 11 | F020283-00 | FRONT BRAKE PLATE ASSY. | LEFT SIDE | 1 |
| | 12 | | FRONT BRAKE PLATE | LEFT SIDE | 1 |
| | 13 | | FRONT BRAKE ARM | LEFT SIDE | 1 |
| | 14 | F020249-49 | WHEEL RIM | 7X5" | 2 |
| | 15 | F020149-01 | TIRE | 16X8-7" | 2 |
| | 16 | F020154-00 | RIM VALVE | | 2 |
| | 17 | F020282-00 | FRONT BRAKE DRUM ASSY. | | 2 |
| | 18 | | FRONT BRAKE DRUM | | 2 |
| | 19 | A010007-00 | BEARING | 6002ZZ | 2 |
| | 20 | F020191-42 | COLLAR | Ø15XØ21.7X15L | 2 |
| | 21 | A010005-00 | BEARING | 6002ZZ | 2 |
| | 22 | A030002-00 | OIL SEAL | Ø22XØ35X7 | 4 |
| | 23 | F020316-00 | COLLAR | Ø17XØ22X9.5L | 2 |
| | 24 | A140002-41 | STUD BOLT | M10X1.25X32L | 8 |
| | 25 | A060007-41 | INSERT LOCK NUT | M10X1.25 | 8 |
| | 26 | A080001-42 | PLAIN WASHER | Ø14.2xØ40x4.5t | 2 |
| | 27 | A060026-42 | HEX SLOTTED&CASTLE NUTS | M14X1.5 | 2 |
| | 28 | A070002-41 | PIN | 3.2X32L | 2 |
| | 29 | F020153-00 | RUBBER CAP | | 2 |

FRONT WHEEL(8" TIRE)



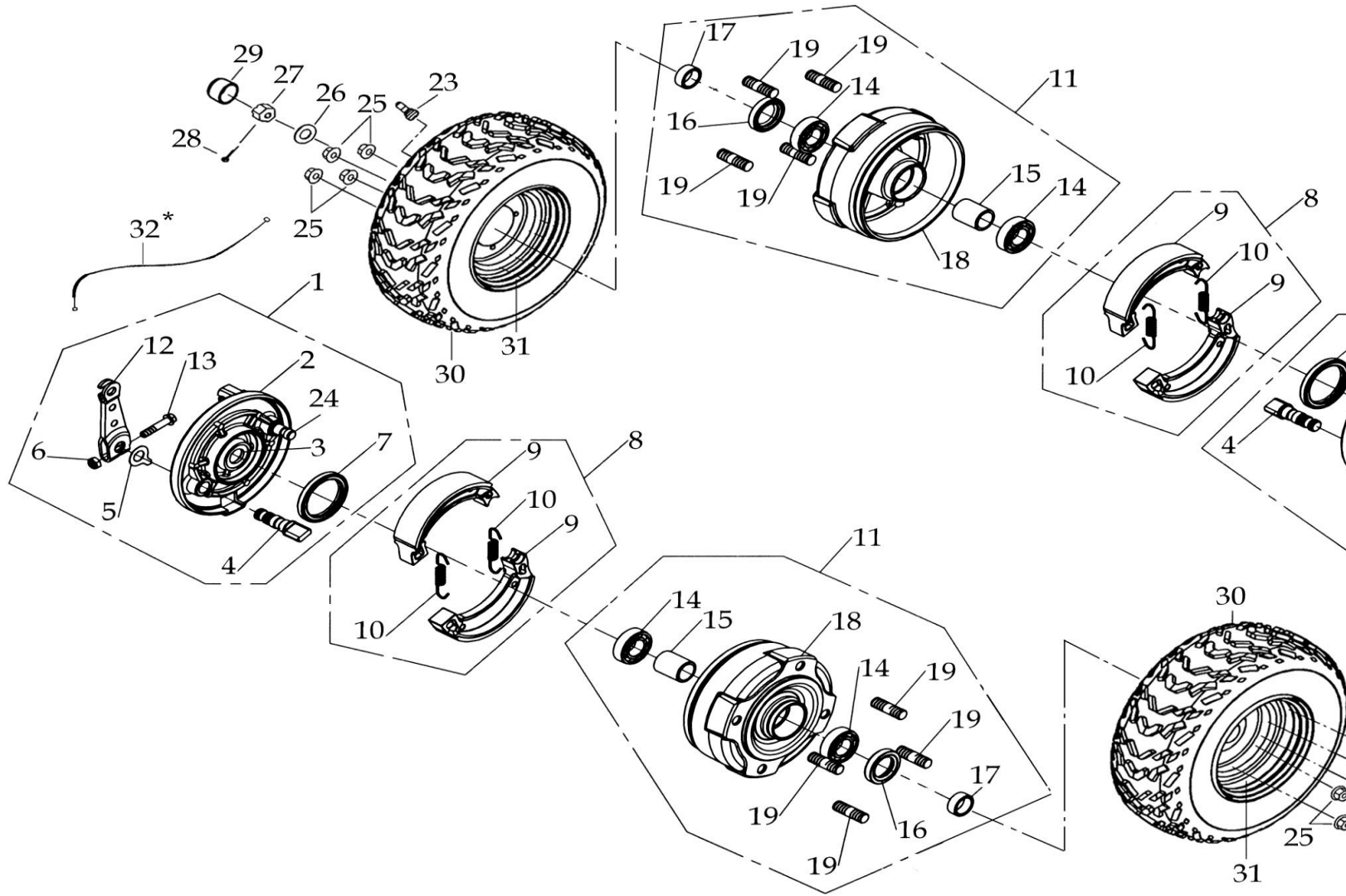


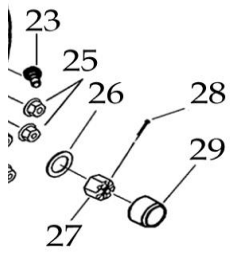
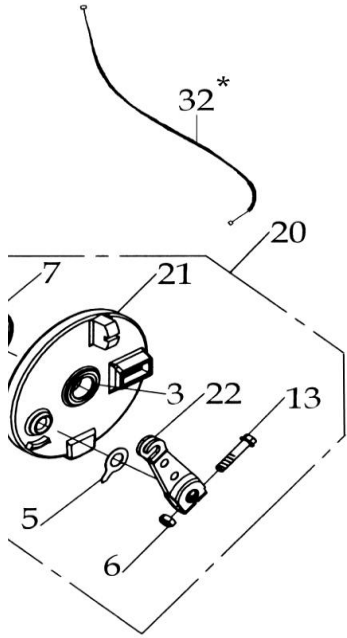
D1001-041B

FRONT WHEEL(8" TIRE)

| Model | Item | Part no | Description | Specification | Quantity |
|--------------|-------------|----------------|--|----------------------|-----------------|
| | 01 | F020481-00 | FRONT BRAKE PLATE ASSEMBLY(RIGHT SIDE) | | 1 |
| | 02 | | FRONT BRAKE PLATE | RIGHT SIDE | 1 |
| | 03 | | BUSH | | 2 |
| | 04 | F020551-41 | FRONT BRAKE CAM SHAFT | | 2 |
| | 05 | F020548-41 | INDICATOR PLATE | | 2 |
| | 06 | A060053-41 | INSERT LOCK NUT | M6X1.0 | 2 |
| | 07 | A030023-00 | OIL SEAL | TC Ø52XØ40X6 | 2 |
| | 08 | F020485-00 | FRONT BRAKE SHOE ASSY. | Ø110 | 2 |
| | 09 | | FRONT BRAKE SHOE | Ø110 | 2 |
| | 10 | | FRONT RETURN SPRING | | 4 |
| | 11 | F020604-00 | FRONT BRAKE DRUM ASSY. | | 2 |
| | 12 | F020550-41 | FRONT BRAKE ARM | RIGHT SIDE | 1 |
| | 13 | A050171-41 | HEX BOLT | M6X1.0X30L | 2 |
| | 14 | A010005-00 | BEARING | 6003ZZ | 4 |
| | 15 | F050017-00 | COLLAR | Ø22XØ17X27L | 2 |
| | 16 | A030002-00 | OIL SEAL | Ø22XØ35X7 | 2 |
| | 17 | A090011-00 | COLLAR | Ø17XØ22X9.5L | 2 |
| | 18 | | FRONT BRAKE DRUM | | 2 |
| | 19 | | STUD BOLT | M10X1.25X32L | 8 |
| | 20 | F020479-00 | FRONT BRAKE PLATE ASSY. | LEFT SIDE | 1 |
| | 21 | | FRONT BRAKE PLATE | LEFT SIDE | 1 |
| | 22 | F020549-41 | FRONT BRAKE ARM | LEFT SIDE | 1 |
| | 23 | F020154-00 | RIM VALVE | | 2 |
| | 24 | | PIN,BRAKE SHOE | | 2 |
| | 25 | A060007-41 | INSERT LOCK NUT | M10X1.25 | 8 |
| | 26 | F020478-42 | RUBBER CAP BRACKET | | 2 |
| | 27 | A060026-42 | HEX SLOTTED&CASTLE NUTS | M14X1.5 | 2 |

FRONT WHEEL(8" TIRE)





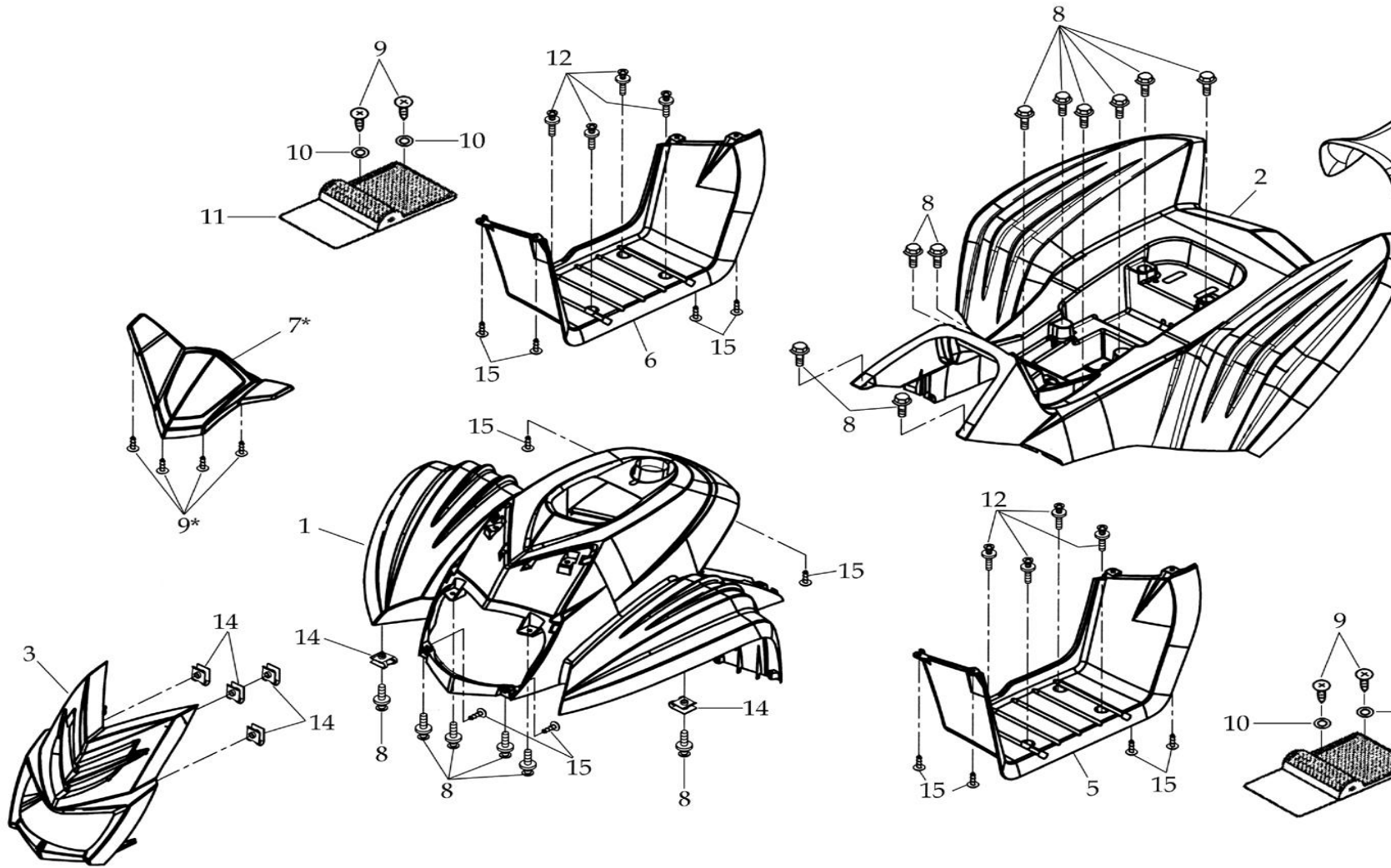
D1001-041B

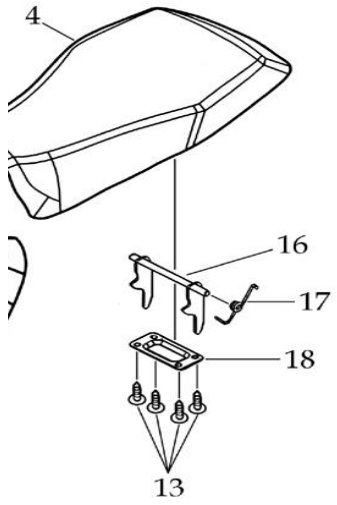
FRONT WHEEL(8" TIRE)

| Model | Item | Part no | Description | Specification | Quantity | |
|--------------|-------------|----------------|--------------------|----------------------|-----------------|------------|
| | 28 | A070002-41 | PIN, COTTER | 3.2x32L | 2 | |
| | 29 | F020153-00 | RUBBER CAP | | 2 | |
| | 30 | F020026-49 | WHEEL RIM | 8X5.5" | 2 | |
| | 31 | F020402-03 | TIRE | 18X9.5-8" | 2 | |
| | 32 | F020487-00 | FRONT BRAKE CABLE | | 2 | Hand Brake |
| | * | F020488-00 | FRONT BRAKE CABLE | | 2 | Foot Brake |

D1001-043B

FENDER, SEAT





— 10

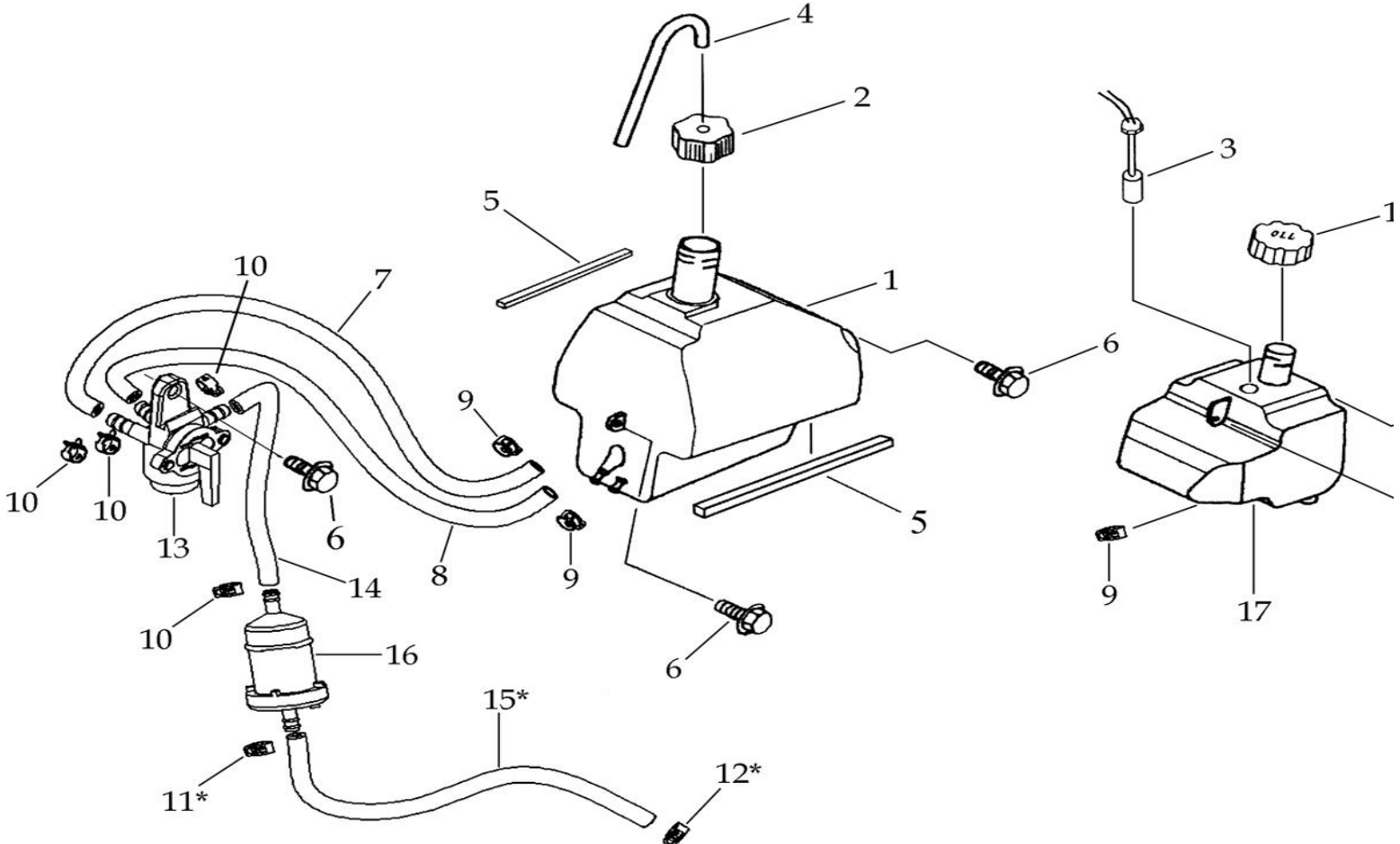
▲ 11

D1023-051B

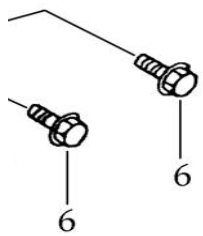
FENDER, SEAT

| Model | Item | Part no | Description | Specification | Quantity | |
|-------|------|------------|-----------------------|---------------|----------|-------------|
| | 01 | F080001 | FRONT FENDER(RE D) | | 1 | |
| | 02 | F080002 | REAR FENDER | | 1 | |
| | 03 | F080003-15 | FRONT LIGHT COVER | | 1 | |
| | 04 | F040004-01 | SEAT ASSY. | | 1 | |
| | 05 | F080006-10 | FOOTBOARD | LEFT SIDE | 1 | |
| | 06 | F080007-10 | FOOTBOARD | RIGHT SIDE | 1 | |
| | 07 | F040007 | HANDLEBAR COVER | | 1 | |
| | * | F080004 | SPEEDOMETER COVER | | 1 | |
| | * | F080016 | SPEEDOMETER COVER | | 1 | E-Mark |
| | 08 | A050023-41 | HEX BOLT | M6X1.0X16L | 16 | |
| | 09 | A130002-43 | TAPPING SCREW | 4X12L | 8 | Speedometer |
| | * | A130002-43 | TAPPING SCREW | 4X12L | 7 | |
| | 10 | A080037-43 | PLAIN WASHER | Ø4.2XØ12X1.0t | 4 | |
| | 11 | F020128-01 | DAMPER MAT , FOOTREST | | 2 | |
| | 12 | A050018-00 | PAN PHILLIPS BOLT | M6X1.0X16L | 8 | |
| | 13 | A130005-43 | TAPPING SCREW | 5X16L | 4 | |
| | 14 | F020195-43 | U CLIP | M6 | 6 | |
| | 15 | A130007-43 | TAPPING SCREW | 4X16L | 12 | |
| | 16 | F030022B42 | CLAMP , SEAT | | 1 | |
| | 17 | A110010-41 | TORSION SPRING | | 1 | |
| | 18 | F030021-42 | BRACKET , SEAT | | 1 | |

FUEL & OIL TANKS(E06 ENGINE)



l8

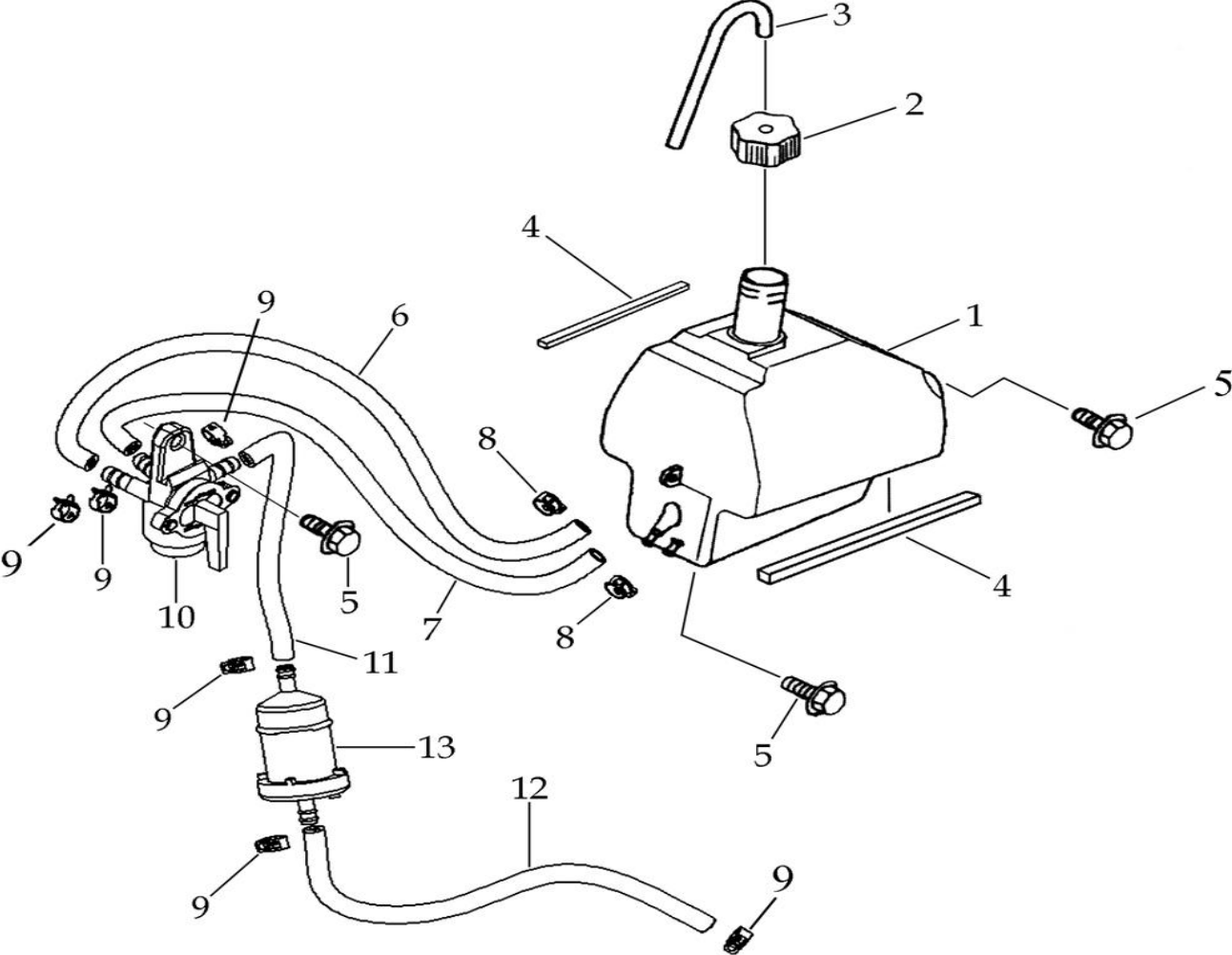


D1023-061A

FUEL & OIL TANKS(E06 ENGINE)

| Model | Item | Part no | Description | Specification | Quantity | |
|-------|------|------------|----------------------|---------------|----------|-----|
| | 01 | F020067-01 | FUEL TANK | | 1 | |
| | 02 | F020054-01 | FUEL TANK CAP | | 1 | |
| | 03 | F020204-00 | OIL GAUGE | | 1 | |
| | 04 | F020145-00 | BREATHE TUBE | L=190mm | 1 | |
| | 05 | F020096-00 | RUBBER MAT | | 2 | |
| | 06 | A050024-41 | HEX WASHER FACE BOLT | M6X1.0X16L | 5 | |
| | 07 | F020046-00 | FUEL TUBE A | L=270mm | 1 | |
| | 08 | F020047-00 | FUEL TUBE B | L=250mm | 1 | |
| | 09 | F020196-00 | CLIP | 12X0.8 | 3 | |
| | 10 | F020197-00 | CLIP | 9.2X0.6 | 4 | |
| | 11 | F020197-00 | CLIP | 9.2X0.6 | 1 | WFZ |
| | * | F020453-00 | CLIP | Ø7.7XØ9.5X6 | 1 | WJ |
| | 12 | F020197-00 | CLIP | 9.2X0.6 | 1 | WFZ |
| | * | F020452-00 | CLIP | Ø6.5XØ8X6 | 1 | WJ |
| | 13 | F020144-00 | FUEL SHUT OFF VALVE | | 1 | |
| | 14 | F020213-00 | FUEL TUBE D | L=60mm | 1 | |
| | 15 | F020360-00 | FUEL TUBE | L=100mm | 1 | WFZ |
| | * | F020451-00 | FUEL TUBE | L=120mm | 1 | WJ |
| | 16 | F020143-00 | FUEL FILTER ASSY. | | 1 | |
| | 17 | F020071-01 | OIL TANK ASSY. | | 1 | |
| | 18 | F020146-00 | OIL TANK CAP | | 1 | |

FUEL TANKS(E02 ENGINE)

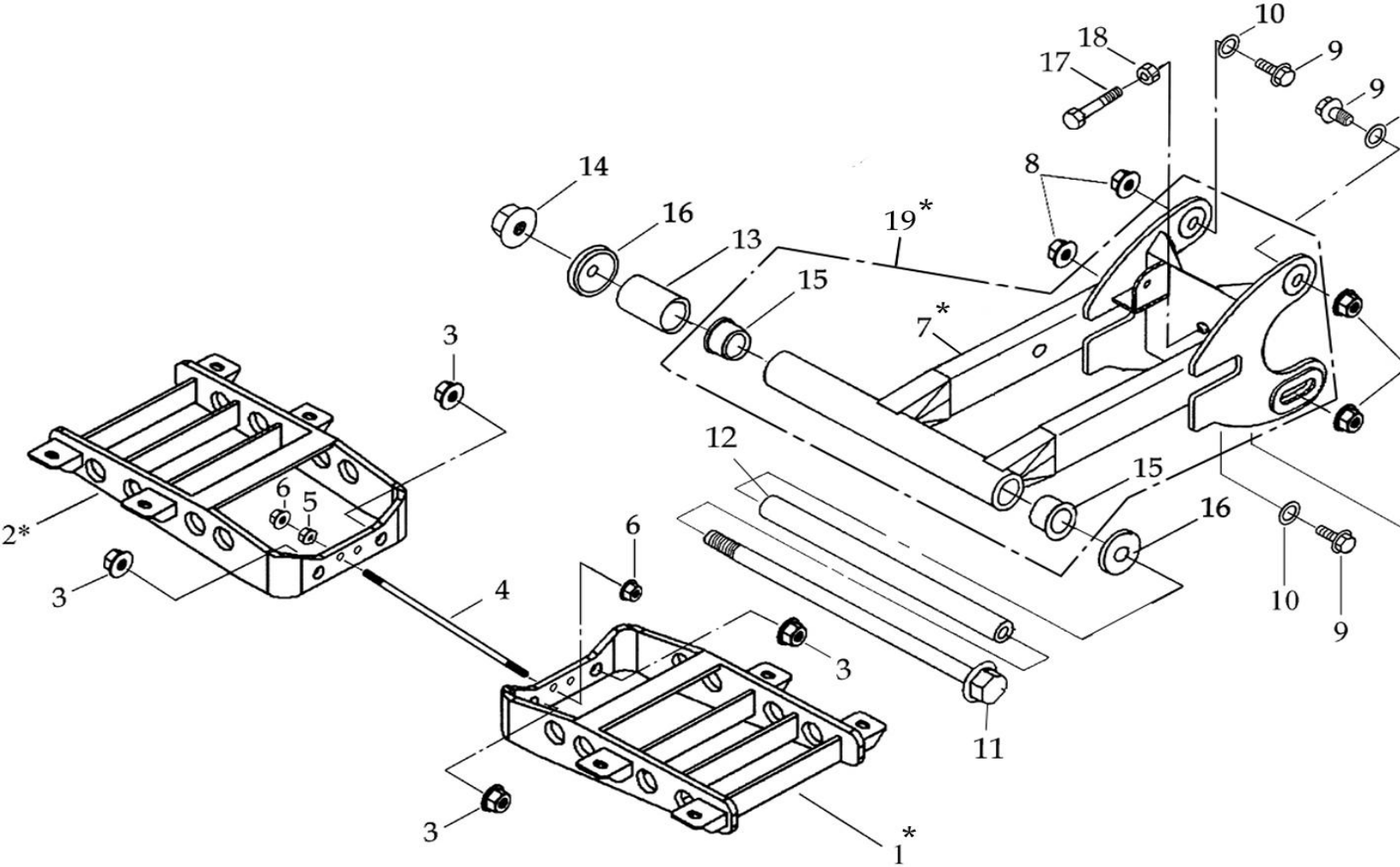


D1023-071A

FUEL TANKS(E02 ENGINE)

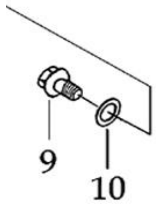
| Model | Item | Part no | Description | Specification | Quantity |
|-------|------|------------|----------------------|---------------|----------|
| | 01 | F020067-01 | FUEL TANK | | 1 |
| | 02 | F020054-01 | FUEL TANK CAP | | 1 |
| | 03 | F020145-00 | BREATHE TUBE | L=190mm | 1 |
| | 04 | F020096-00 | RUBBER MAT | | 2 |
| | 05 | A050024-41 | HEX WASHER FACE BOLT | M6X1.0X16L | 3 |
| | 06 | F020046-00 | FUEL TUBE A | L=270mm | 1 |
| | 07 | F020047-00 | FUEL TUBE B | L=250mm | 1 |
| | 08 | F020196-00 | CLIP | 12X0.8 | 2 |
| | 09 | F020197-00 | CLIP | 9.2X0.6 | 6 |
| | 10 | F020144-00 | FUEL SHUT OFF VALVE | | 1 |
| | 11 | F020213-00 | FUEL TUBE D | L=60mm | 1 |
| | 12 | F060058-00 | FUEL TUBE C | L=230mm | 1 |
| | 13 | F020143-00 | FUEL FILTER ASSY. | | 1 |

SWING ARM SUB ASS'Y



.10

>8



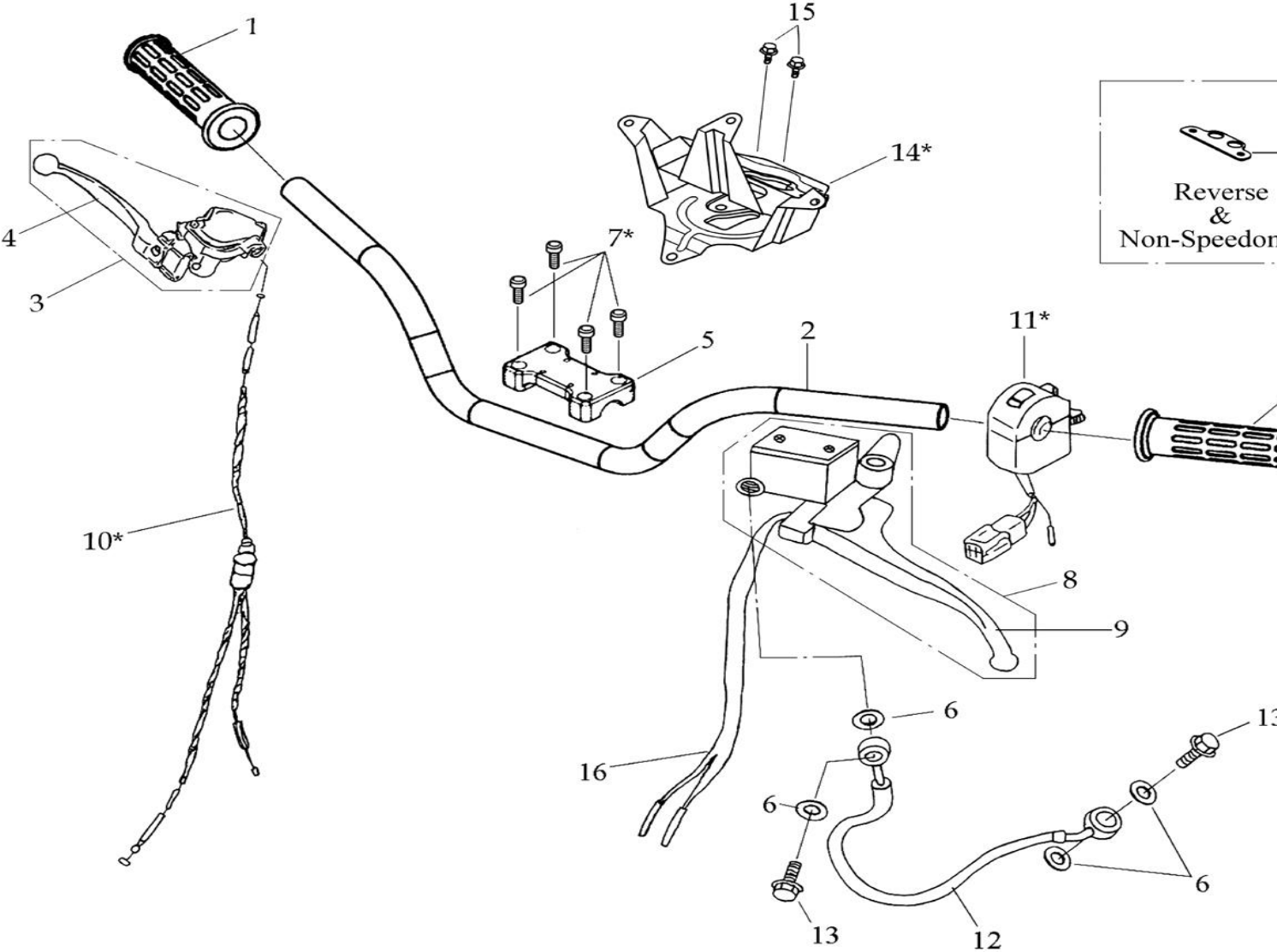
D1023-081B

SWING ARM SUB ASS'Y

| Model | Item | Part no | Description | Specification | Quantity |
|-------|------|------------|-----------------------|------------------|----------|
| | 01 | F030008-50 | BRACKET, FOOTREST | BLACK | 1 |
| | * | F030008-49 | BRACKET , FOOTREST | SILVER | 1 |
| | 02 | F030008-50 | BRACKET , FOOTREST | BLACK | 1 |
| | * | F030008-49 | BRACKET , FOOTREST | SILVER | 1 |
| | * | F040103-50 | BRACKET , FOOTREST | RIGHT SIDE,BLACK | 1 |
| | 03 | A060007-41 | INSERT LOCK NUT | M10X1.25 | 4 |
| | 04 | A140004-42 | STUD BOLT | M8X1.25X256L | 1 |
| | 05 | A060030-41 | HEX NUT | M8X1.25 | 1 |
| | 06 | A060014-41 | INSERT LOCK NUT | M8X1.25 | 2 |
| | 07 | F020007-48 | SWING ARM | BLACK | 1 |
| | * | F020007-49 | SWING ARM | SILVER | 1 |
| | 08 | A060008-41 | INSERT LOCK NUT | M12X1.25 | 4 |
| | 09 | A050094-41 | HEX WASHER FACE BOLT | M12X1.25X45L | 4 |
| | 10 | A080060-41 | PLAIN WASHER | Ø12.5XØ30X3t | 4 |
| | 11 | A050002-41 | HEX WASHER FACE BOLT | M14X1.5X282L | 1 |
| | 12 | F020010-00 | SWING ARM SPACER TUBE | Ø20XØ14.1X253.3L | 1 |
| | 13 | F020132-00 | RUBBER SLEEVE | | 1 |
| | 14 | A060006-41 | INSERT LOCK NUT | M14X1.5 | 1 |
| | 15 | F020474-00 | BUSH | Ø20 | 2 |
| | 16 | F020030-00 | SEAL,COVER | | 2 |
| | 17 | A050004-41 | HEX BOLT | M10X1.25X50L | 1 |
| | 18 | A060002-41 | HEX NUT | M10X1.25 | 1 |
| | 19 | F020577-48 | SWING ARM SUB ASSY. | BLACK | 1 |
| | * | F020577-49 | SWING ARM SUB ASSY. | SILVER | 1 |

Foot Brake

HANDLEBAR(HAND BRAKE)



— 17
neter

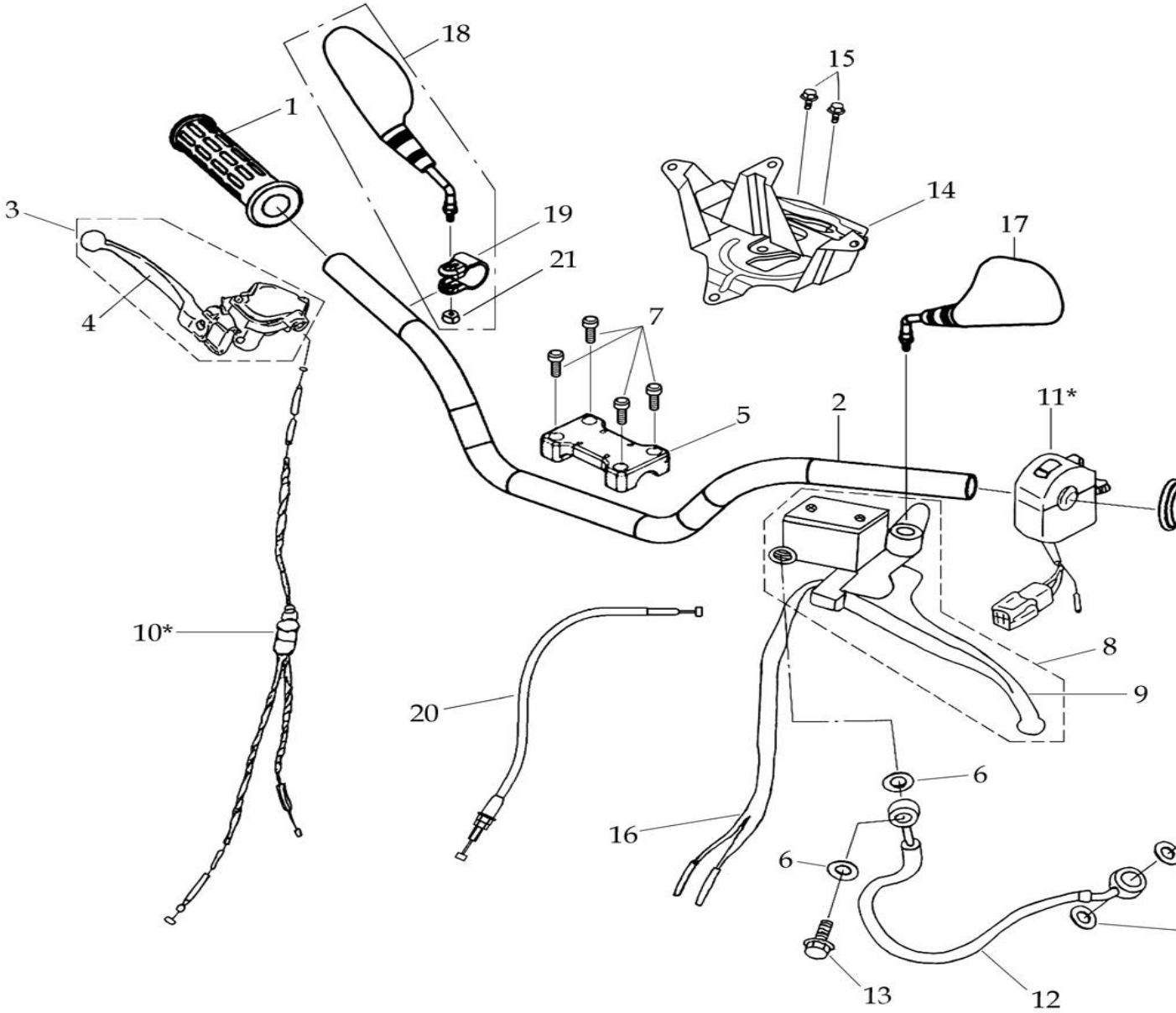


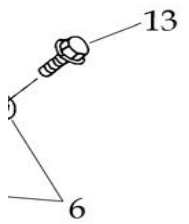
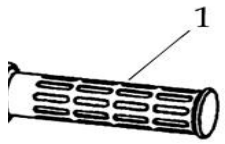
3

HANDLEBAR(HAND BRAKE)

| Model | Item | Part no | Description | Specification | Quantity | |
|-------|------|------------|------------------------|---------------|----------|-----|
| | 01 | F020167-00 | HANDLE GRIP | | 2 | |
| | 02 | F020166-48 | HANDLEBAR | BLACK | 1 | |
| | 03 | A190031-01 | RIGHT LEVER ASSY. | | 1 | |
| | 04 | F020267-00 | RIGHT LEVER | | 1 | |
| | 05 | F020468-00 | HANDLEBAR BRACKET | | 1 | |
| | 06 | A080011-00 | PLAIN WASHER | | 4 | |
| | 07 | A050029-43 | HEX SOCKET BOLT | M6X1.0X25L | 4 | |
| GB050 | * | A050079-43 | HEX WASHER FACE BOLT | M6X1.0X35L | 4 | |
| GG100 | * | A050079-43 | HEX WASHER FACE BOLT | M6X1.0X35L | 4 | |
| | 08 | F020168-00 | LEFT LEVER ASSY. | | 1 | |
| | 09 | F020268-00 | MANUAL LEVER | | 1 | |
| E06 | 10 | F020170-00 | THROTTLE CABLE | | 1 | WFZ |
| E06 | * | F020422-00 | THROTTLE CABLE | | 1 | WJ |
| E02 | * | F020430-00 | THROTTLE CABLE | | 1 | WVF |
| | 11 | A190019-00 | LEFT SWITCH ASSY. | | 1 | |
| | * | A190020-00 | LEFT SWITCH ASSY. | | 1 | WJ |
| | 12 | F020173-00 | TUBE , HYDRAULIC BRAKE | | 1 | |
| | 13 | A050009-44 | HEX WASHER FACE BOLT | M10X1.25X22L | 2 | |
| | 14 | F040017-48 | BRACKET | BLACK | 1 | |
| | * | F040017-49 | BRACKET | SILVER | 1 | |
| | * | F080012-48 | BRACKET | BLACK | 1 | |
| | 15 | A050017-43 | HEX WASHER FACE BOLT | M6X1.0X12L | 2 | |
| | 16 | A190029-00 | LIMIT SWITCH | | 1 | |
| GB050 | 17 | F020354-50 | INDICATION BRACKET | | 1 | |
| GG100 | 17 | F020354-50 | INDICATION BRACKET | | 1 | |

HANDLEBAR E-MARK(HAND BRAKE)



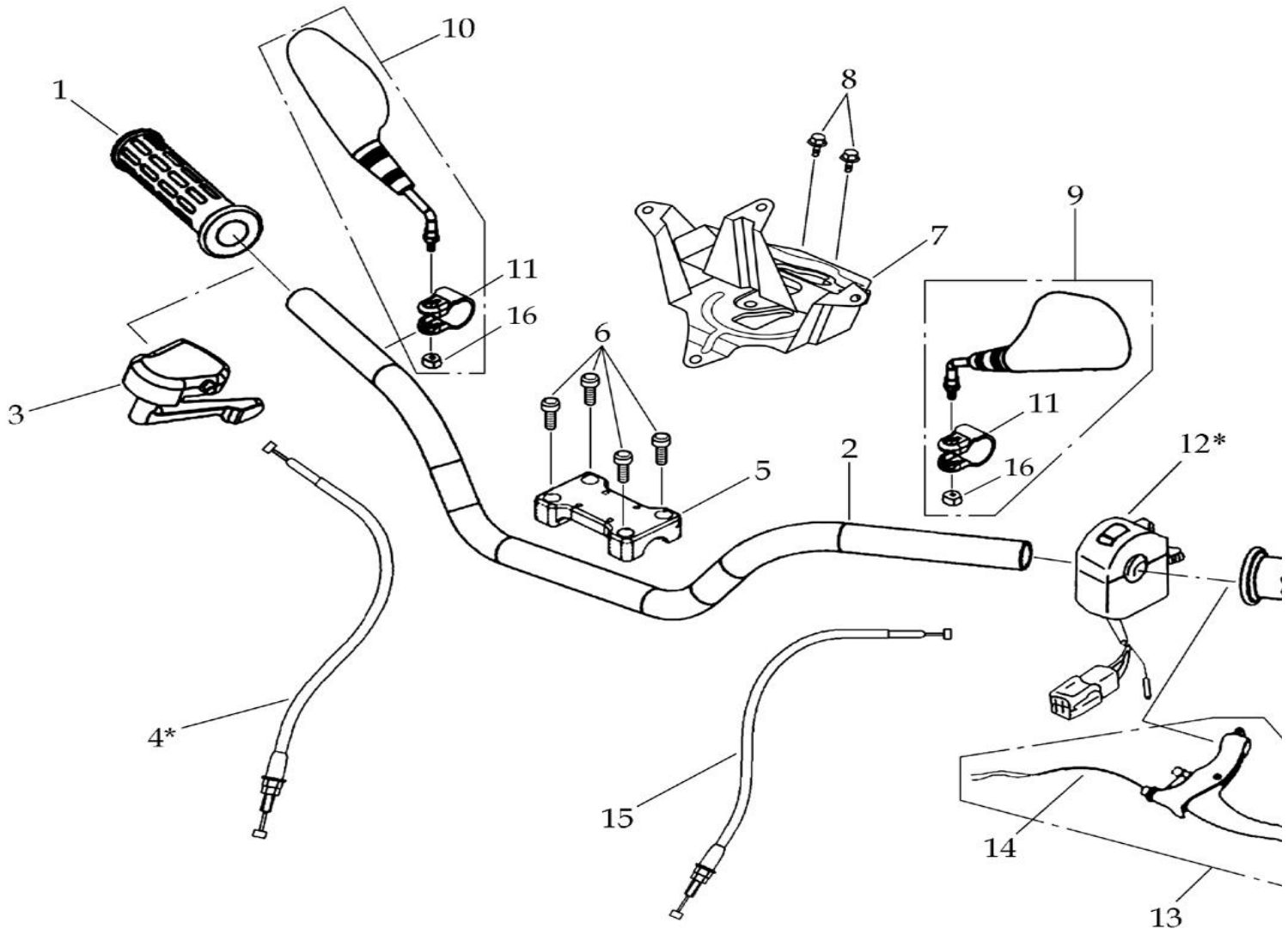


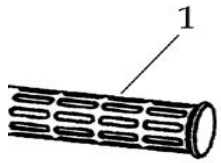
D1023-101A

HANDLEBAR E-MARK(HAND BRAKE)

| Model | Item | Part no | Description | Specification | Quantity | |
|-------|------|------------|------------------------|---------------|----------|-----|
| | 01 | F020167-00 | HANDLE GRIP | | 2 | |
| | 02 | F020295 | HANDLEBAR | | 1 | |
| | 03 | A190031-01 | RIGHT LEVER ASSY. | | 1 | |
| | 04 | F020267-00 | RIGHT LEVER | | 1 | |
| | 05 | F020468-00 | HANDLEBAR BRACKET | | 1 | |
| | 06 | A080011-00 | PLAIN WASHER | | 4 | |
| | 07 | A050029-43 | HEX SOCKET BOLT | M6X1.0X25L | 4 | |
| | 08 | F020168-00 | LEFT LEVER ASSY. | | 1 | |
| | 09 | F020268-00 | MANUAL LEVER | | 1 | |
| E06 | 10 | F020170-00 | THROTTLE CABLE | | 1 | WFZ |
| E06 | * | F020422-00 | THROTTLE CABLE | | 1 | WJ |
| | 11 | A190041-00 | LEFT SWITCH ASSY. | | 1 | |
| | * | A190040-00 | LEFT SWITCH ASSY. | | 1 | WJ |
| | 12 | F020173-00 | TUBE , HYDRAULIC BRAKE | | 1 | |
| | 13 | A050009-44 | HEX WASHER FACE BOLT | M10X1.25X22L | 2 | |
| | 14 | F080012-48 | BRACKET | | 1 | |
| | 15 | A050017-43 | HEX WASHER FACE BOLT | M6X1.0X12L | 2 | |
| | 16 | A190029-00 | LIMIT SWITCH | | 1 | |
| | 17 | F020269-00 | REAR-VIEW MIRROR | LEFT SIDE | 1 | |
| | 18 | F020270-00 | REAR-VIEW MIRROR | RIGHT SIDE | 1 | |
| | 19 | F020271-00 | CLAMP | Ø22 | 1 | |
| | 20 | F020424-00 | CABLE | | 1 | WJ |
| | 21 | | HEX NUT | M8x1.25(L.H) | 1 | |

HANDLEBAR(FOOT BRAKE)



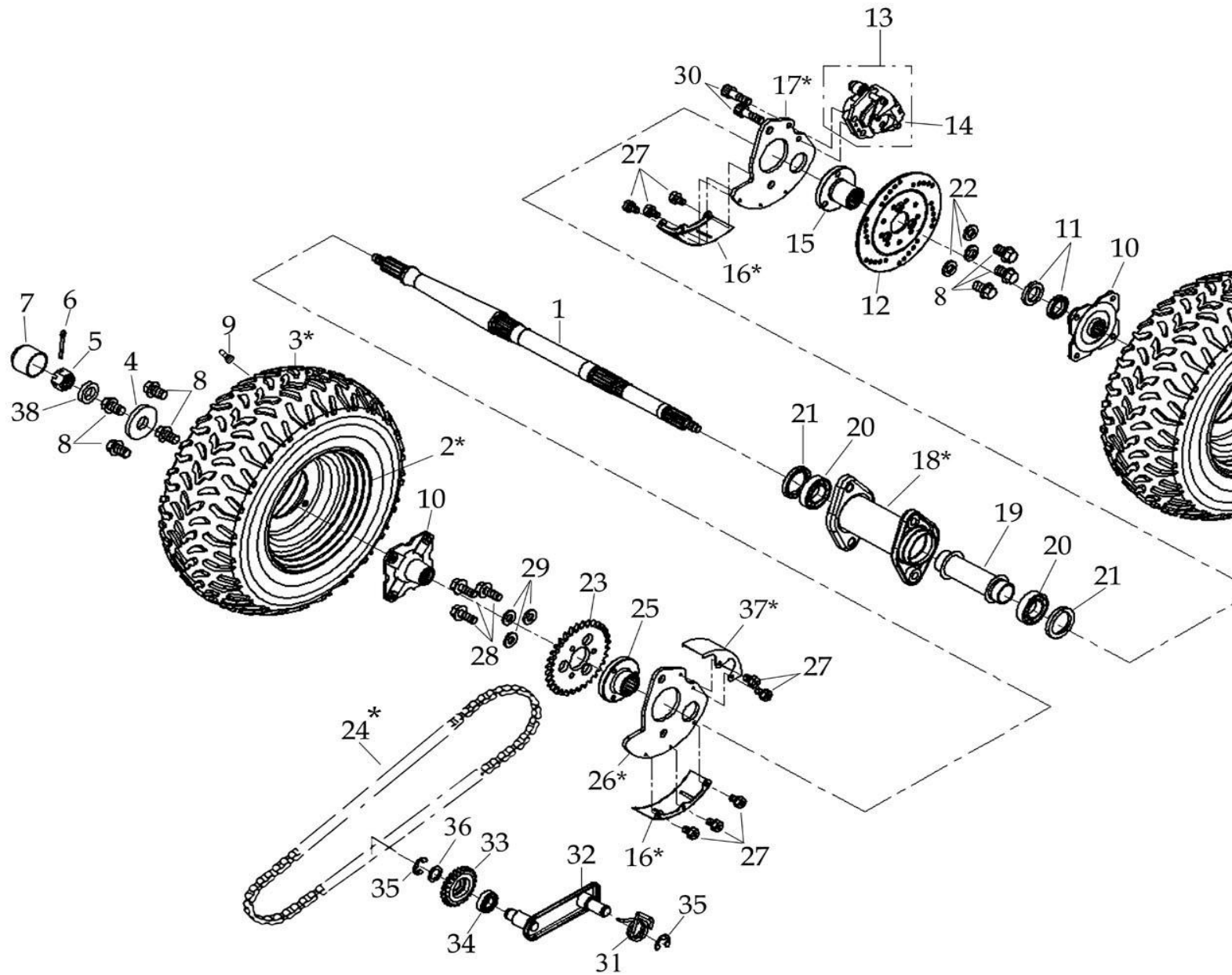


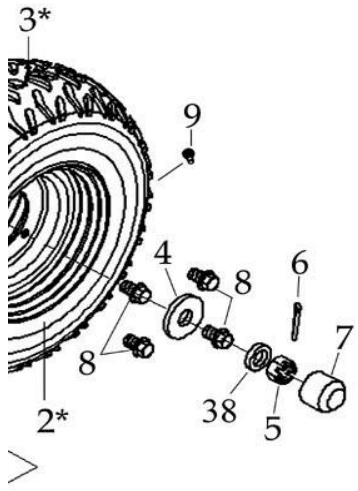
D1023-111A

HANDLEBAR(FOOT BRAKE)

| Model | Item | Part no | Description | Specification | Quantity | |
|-------|------|------------|----------------------|---------------|----------|-----|
| | 01 | F020167-00 | HANDLE GRIP | | 2 | |
| | 02 | F020295 | HANDLEBAR | | 1 | |
| | 03 | A190032-01 | RIGHT LEVER ASSY. | | 1 | |
| E06 | 04 | F020422-00 | THROTTLE CABLE | | 1 | WJ |
| E02 | * | F020430-00 | THROTTLE CABLE | | 1 | WVF |
| | 05 | F020468-00 | HANDLEBAR BRACKET | | 1 | |
| | 06 | A050029-43 | HEX SOCKET BOLT | M6X1.0X25L | 4 | |
| | 07 | F080012-48 | BRACKET | | 1 | |
| | 08 | A050017-43 | HEX WASHER FACE BOLT | M6X1.0X12L | 2 | |
| | 09 | F020416-00 | REAR-VIEW MIRROR | LEFT SIDE | 1 | |
| | 10 | F020270-00 | REAR-VIEW MIRROR | RIGHT SIDE | 1 | |
| | 11 | F020271-00 | CLAMP | Ø22 | 2 | |
| | 12 | A190041-00 | LEFT SWITCH ASSY. | | 1 | |
| | * | A190040-00 | LEFT SWITCH ASSY. | | 1 | WJ |
| | 13 | F020392-00 | LEFT LEVER ASSY. | | 1 | |
| | 14 | F070020-00 | REAR BRAKE SENSOR | | 1 | |
| | 15 | F020424-00 | CABLE | | 1 | WJ |
| | 16 | | HEX NUT | M8x1.25(L.H) | 2 | |

REAR WHEEL



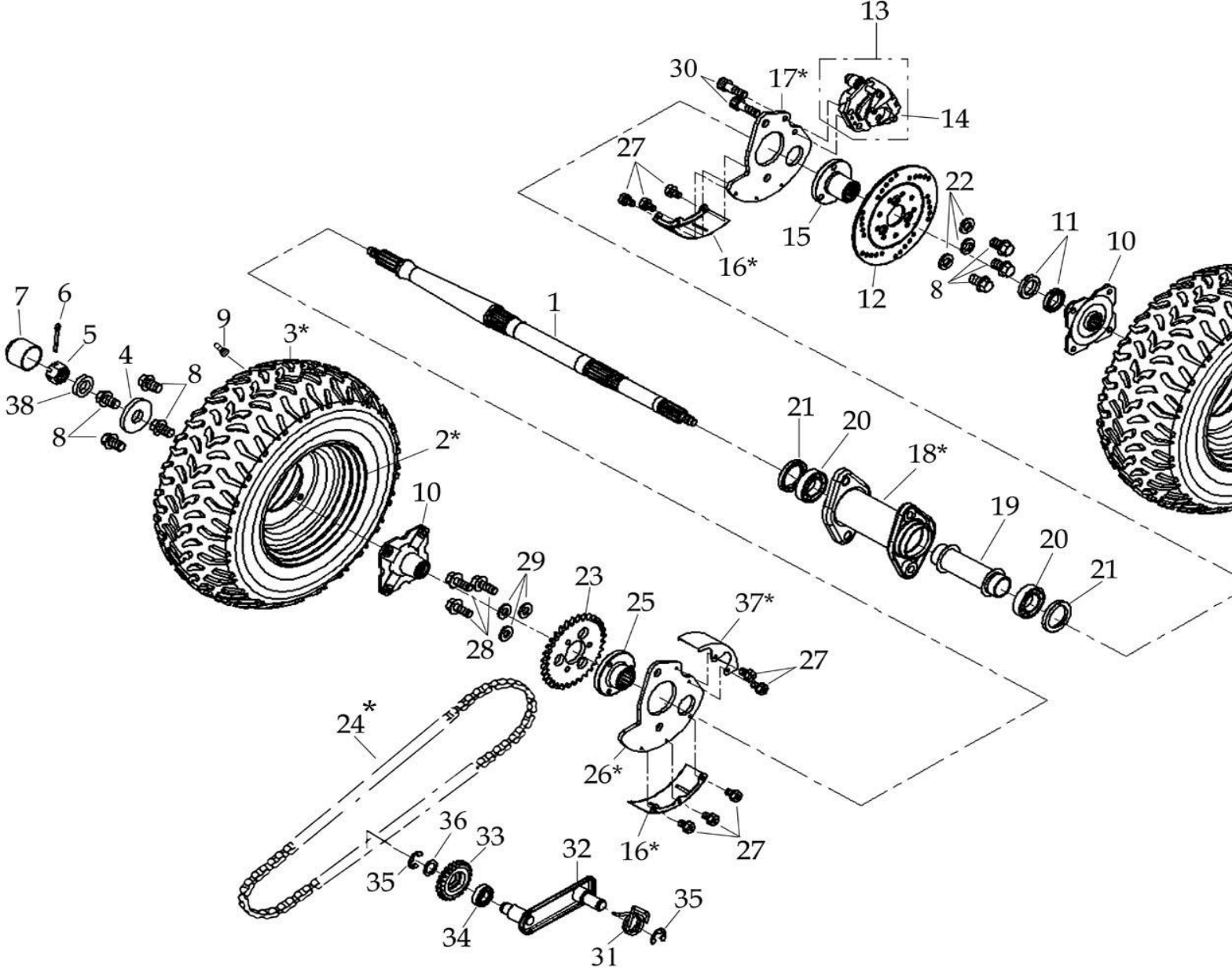


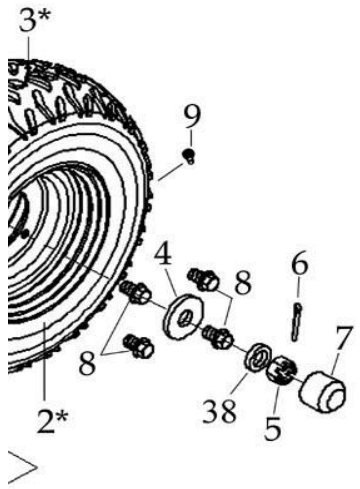
D1023-121A

REAR WHEEL

| Model | Item | Part no | Description | Specification | Quantity | |
|-------|------|------------|---------------------------|------------------|----------|---------|
| | 01 | F030037-42 | REAR AXLE | | 1 | |
| | 02 | | | | | |
| | * | F020026-49 | WHEEL RIM | 8X5.5" | 2 | 8" TIRE |
| | 03 | | | | | |
| | * | F020402-03 | TIRE | 18X9.5-8" | 2 | 8" TIRE |
| | 04 | A080001-42 | PLAIN WASHER | Ø14.2XØ40X4.5t | 2 | |
| | 05 | A060026-42 | HEX SLOTTED&CASTLE NUTS | M14X1.5 | 2 | |
| | 06 | A070002-41 | PIN | 3.2X32L | 2 | |
| | 07 | F020153-00 | RUBBER CAP | | 2 | |
| | 08 | A050005-41 | HEX WASHER FACE BOLT | M10X1.25X15L | 11 | |
| | 09 | F020154-00 | RIM VALVE | | 2 | |
| | 10 | F020025-46 | SHAFT CONNECTER | | 2 | |
| | 11 | A060003-42 | HEX NUT | M27X1.5 | 2 | |
| | 12 | F020242-00 | DISC BRAKE | Ø180 | 1 | |
| | 13 | F020032-00 | CALIPER , DISC BRAKE | | 1 | |
| | 14 | F020302-00 | SHOE , DISK BRAKE | | 1 | |
| | 15 | F020014-42 | BASE , BRAKE | | 1 | |
| | 16 | F020009-50 | PROTECTIVE COVER | BLACK | 2 | |
| | * | F020009-49 | PROTECTIVE COVER | SILVER | 2 | |
| | 17 | F020045-50 | HOLDER , PROTECTIVE COVER | LEFT SIDE,BLACK | 1 | |
| | * | F020045-49 | HOLDER , PROTECTIVE COVER | LEFT SIDE,SILVER | 1 | |
| | 18 | F020004-50 | REAR AXLE FIX SEAT | BLACK | 1 | |
| | * | F020004-49 | REAR AXLE FIX SEAT | SILVER | 1 | |
| | 19 | F020001-41 | SPACER TUBE | | 1 | |
| | 20 | A010006-00 | BEARING | 6006ZZ | 2 | |
| | 21 | A030012-00 | OIL SEAL | | 2 | |
| | 22 | A080009-41 | SPRING WASHER | Ø10.2X3.7X2.5t | 3 | |
| | 23 | F020017-50 | FINAL DRIVE SPROCKET | 32T | 1 | |

REAR WHEEL



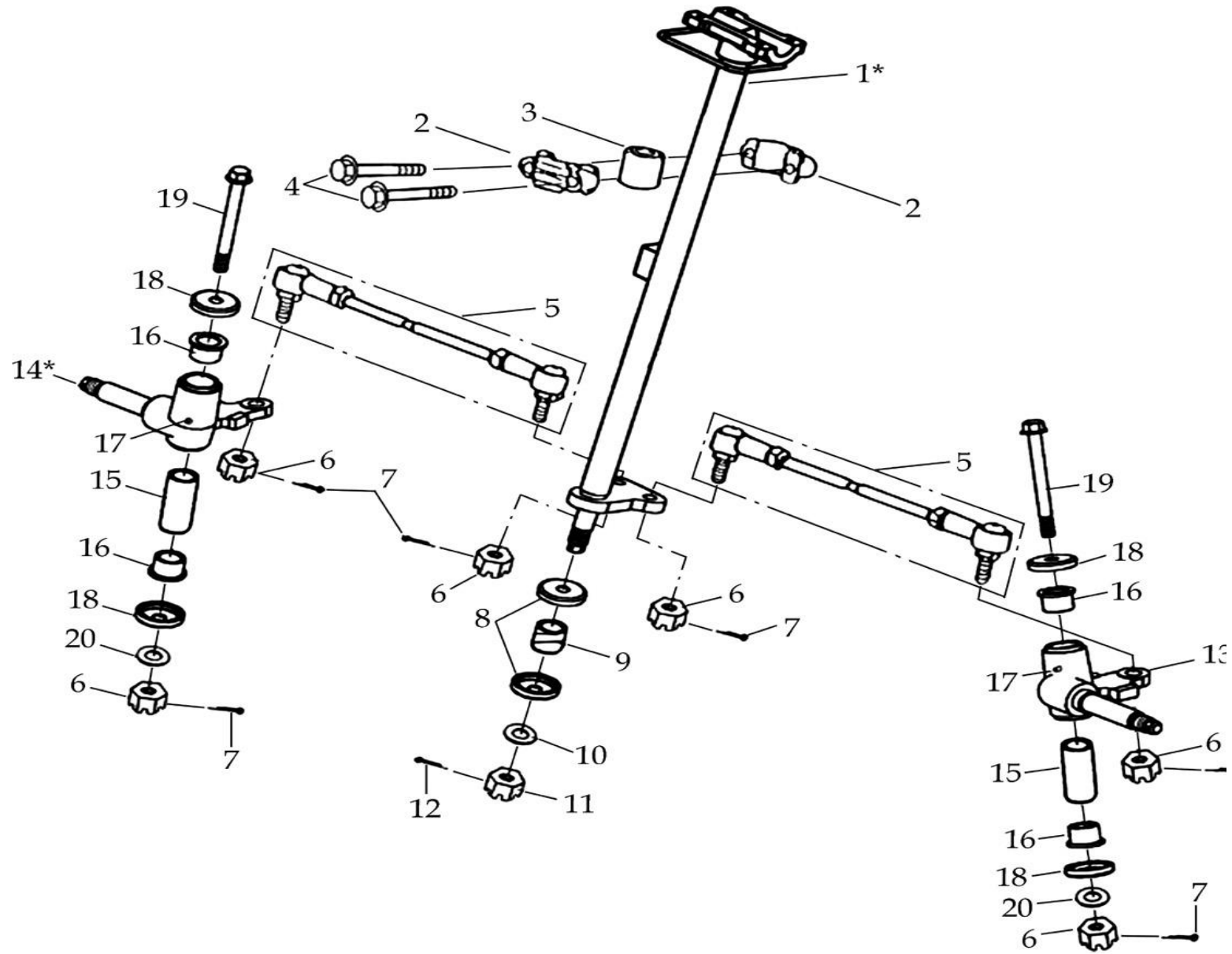


D1023-121A

REAR WHEEL

| Model | Item | Part no | Description | Specification | Quantity | |
|-------|------|------------|-----------------------------|-------------------|----------|-----|
| | 24 | F020450-00 | DRIVE CHAIN ASSEMBLY | 428UO X 90 LINKS | 1 | |
| | * | F020417-00 | DRIVE CHAIN ASSY. | 428UO X 88 LINKS | 1 | 13T |
| | 25 | F030034-42 | FINAL DRIVE SPROCKET HOLDER | | 1 | |
| | 26 | F020005-50 | HOLDER , PROTECTIVE COVER | RIGHT SIDE,BLACK | 1 | |
| | * | F020005-49 | HOLDER , PROTECTIVE COVER | RIGHT SIDE,SILVER | 1 | |
| | 27 | A050007-41 | HEX BOLT | M5X0.8X8L | 8 | |
| | 28 | A050006-41 | HEX WASHER FACE BOLT | M8X1.0X20L | 3 | |
| | 29 | A080012-41 | SPRING WASHER | Ø8.2X3.2X2t | 3 | |
| | 30 | A050135-41 | HEX SOCKET BOLT | M8X1.0X25L | 2 | |
| | 31 | A110004-41 | TORSION SPRING | | 1 | |
| | 32 | F030035-42 | BRACKET , IDLE GEAR | | 1 | |
| | 33 | F020201-50 | IDLE GEAR | | 1 | |
| | 34 | A010008-00 | BEARING | 6901 2RS | 1 | |
| | 35 | A100002-43 | CLIP | Ø10 | 2 | |
| | 36 | A080018-43 | PLAIN WASHER | Ø12.2XØ18X1.0t | 1 | |
| | 37 | F020219-50 | UPPER PROTECTIVE COVER | BLACK | 1 | |
| | 38 | A080016-42 | PLAIN WASHER | Ø15XØ24X5t | 2 | |

STEERING



3*

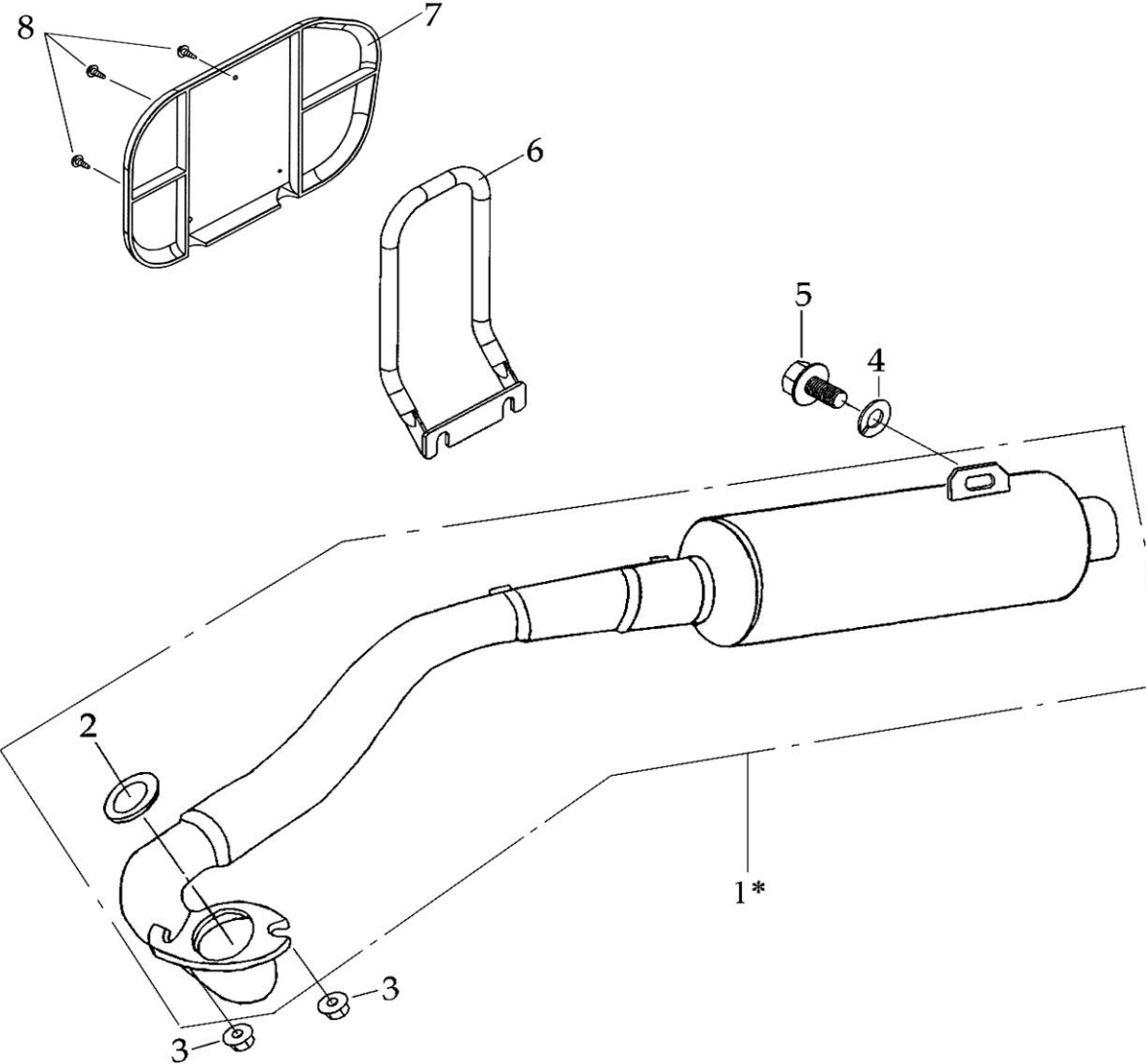
7

D1023-131A

STEERING

| Model | Item | Part no | Description | Specification | Quantity | |
|-------|------|------------|--------------------------|----------------|----------|---------|
| | 01 | F020397-48 | STEERING SHAFT | BLACK | 1 | |
| | * | F020397-49 | STEERING SHAFT | SILVER | 1 | |
| | 02 | F020119-00 | STEERING SHAFT BRACKET | | 2 | |
| | 03 | F020037-00 | BUSH | | 1 | |
| | 04 | A050010-41 | HEX WASHER FACE BOLT | M8X1.25X65L | 2 | |
| | 05 | F020314-00 | STEERING TIE-ROD ASS'Y | | 2 | |
| | 06 | A060024-42 | HEX SLOTTED & CASTLE NUT | M10X1.25 | 6 | |
| | 07 | A070011-41 | PIN | Ø2.8X32L | 6 | |
| | 08 | F050036-00 | SEAL, COVER | | 2 | |
| | 09 | F050035-00 | BUSH, STEERING SHAFT | Ø15XØ22X25L | 1 | |
| | 10 | A080013-43 | PLAIN WASHER | Ø14.5XØ26X2t | 1 | |
| | 11 | A060026-42 | HEX SLOTTED & CASTLE NUT | M14X1.5 | 1 | |
| | 12 | A070002-41 | PIN | Ø3.2X32L | 1 | |
| | 13 | F050118-42 | KNUCKLE, STEERING | LEFT SIDE | 1 | 8" TIRE |
| | * | F020323-42 | KNUCKLE, STEERING | LEFT SIDE | 1 | 7" TIRE |
| | 14 | F050119-42 | KNUCKLE, STEERING | RIGHT SIDE | 1 | 8" TIRE |
| | * | F020324-42 | KNUCKLE, STEERING | RIGHT SIDE | 1 | 7" TIRE |
| | 15 | F050015-00 | TUBE, STEERING KNUCKLE | Ø10XØ17X70.2L | 2 | |
| | 16 | F050117-00 | BUSH, STEERING KNUCKLE | | 4 | |
| | 17 | F020140-00 | GREASE VALVE | | 2 | |
| | 18 | F050018-00 | SEAL, COVER | | 4 | |
| | 19 | A050073-42 | HEX WASHER FACE BOLT | M10X1.25X100L | 2 | |
| | 20 | A080061-41 | PLAIN WASHER | Ø10.5XØ22X3.5t | 2 | |

MUFFLER(E06 ENGINE)



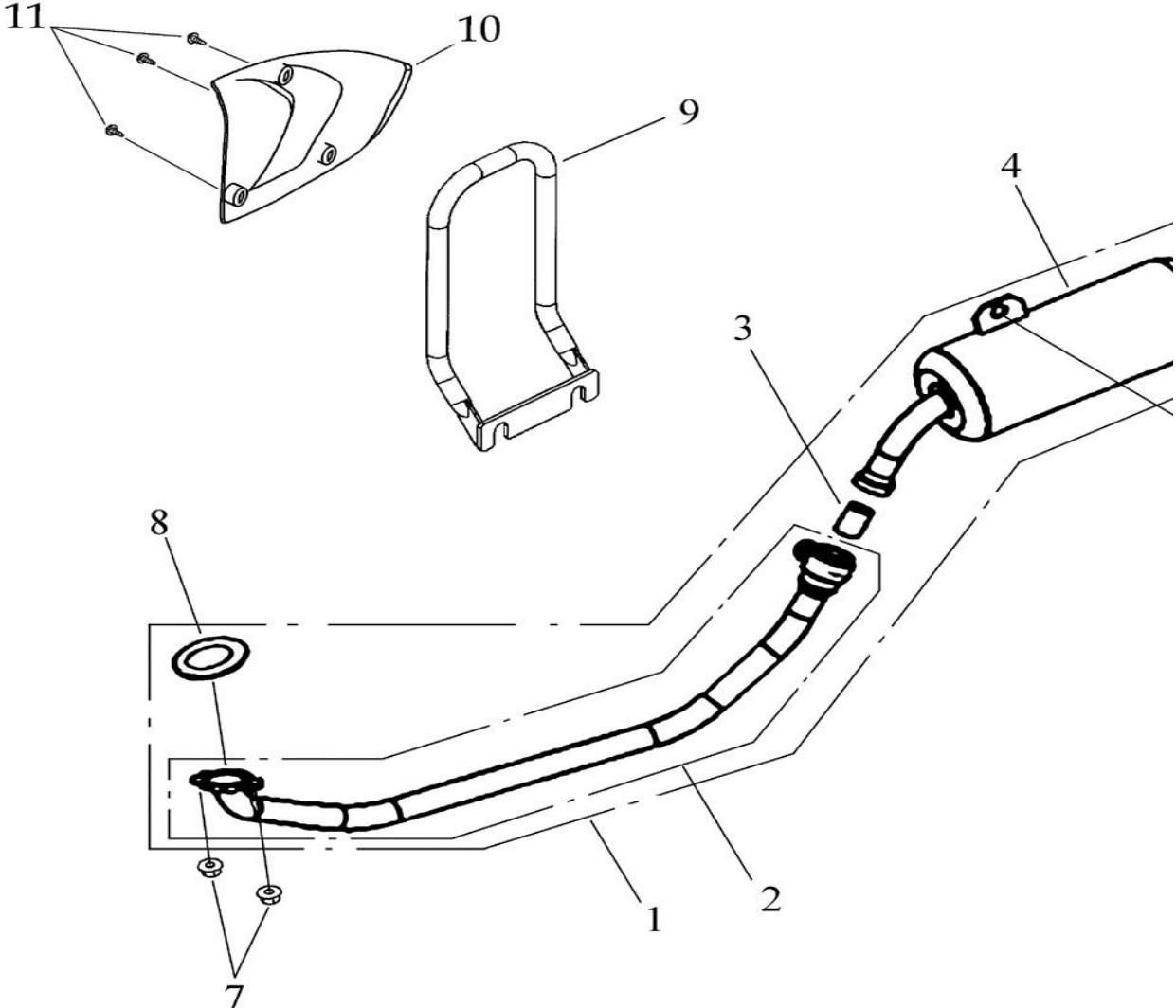


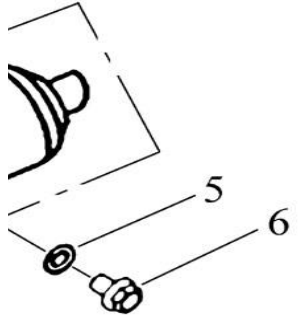
D1023-141A

MUFFLER(E06 ENGINE)

| Model | Item | Part no | Description | Specification | Quantity |
|--------|------|------------|-----------------------|----------------|----------|
| 50cc. | 01 | F030043-00 | MUFFLER ASSEMBLY 50CC | | 1 |
| 50cc. | * | F020491-00 | MUFFLER ASSY. | CE | 1 |
| 100cc. | * | F030028-00 | MUFFLER ASSY. | | 1 |
| 100cc. | * | F020492-00 | MUFFLER ASSY. | CE | 1 |
| | 02 | F020052-00 | GASKET , MUFFLER | | 1 |
| | 03 | A060027-41 | INSERT LOCK NUT | M6X1.0 | 2 |
| | 04 | A080009-41 | SPRING WASHER | Ø10.2X3.7X2.5t | 1 |
| | 05 | A050058-41 | HEX WASHER FACE BOLT | M10X1.5X15L | 1 |
| | 06 | F020228-50 | COVER BRACKET | | 1 |
| | 07 | F020227-01 | PROTECTING COVER | | 1 |
| | 08 | A130002-43 | TAPPING SCREW | 4X12L | 3 |

MUFFLER(E02 ENGINE)



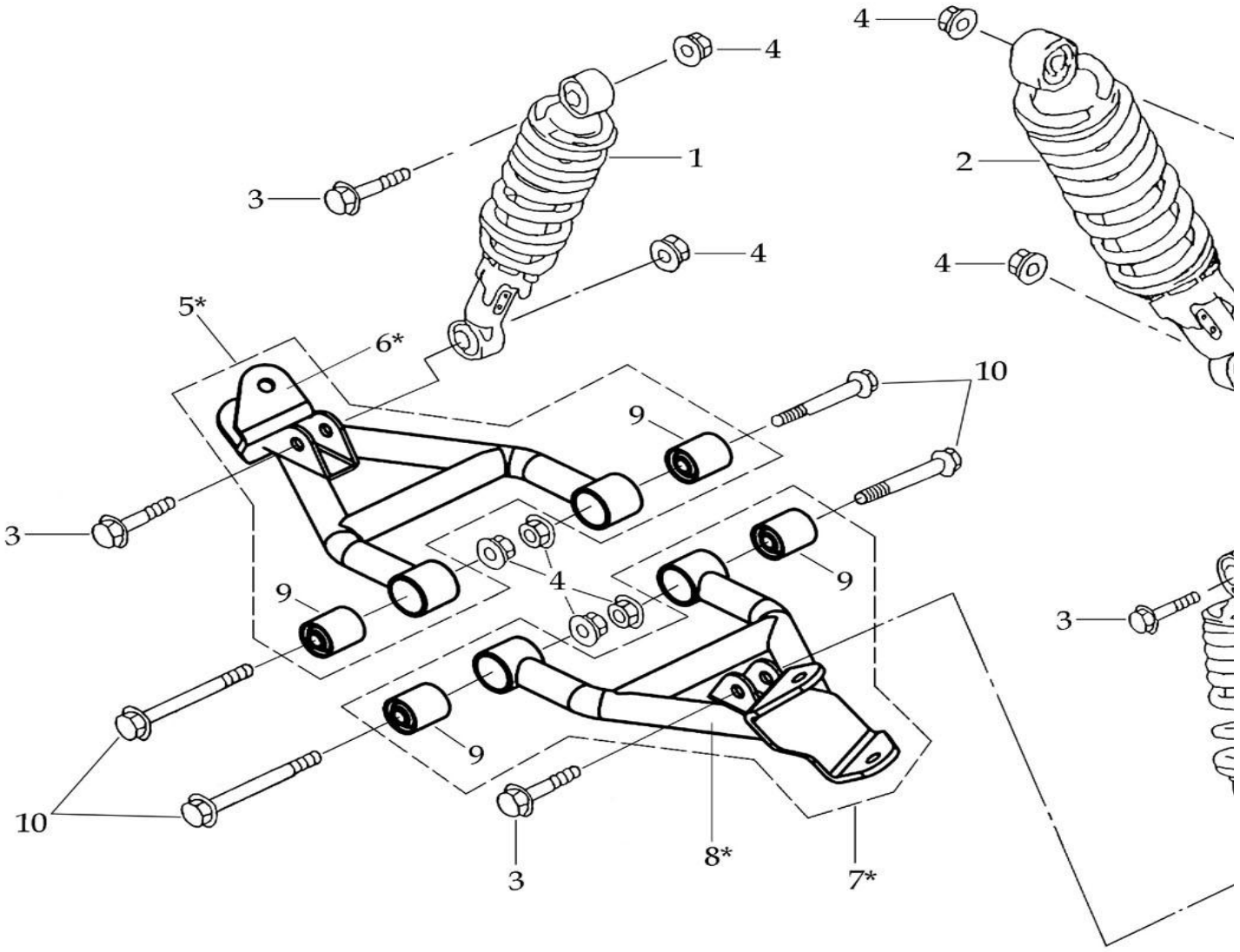


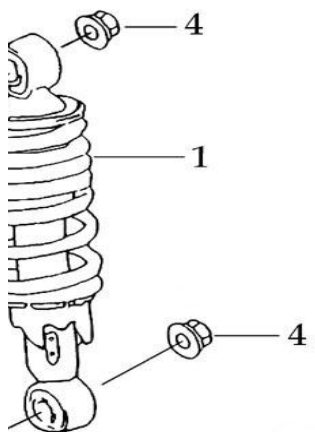
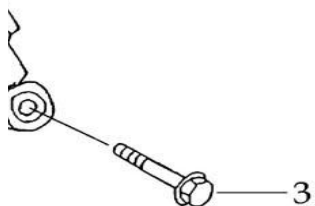
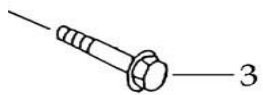
D1023-151A

MUFFLER(E02 ENGINE)

| Model | Item | Part no | Description | Specification | Quantity |
|-------|------|------------|---------------------------|----------------|----------|
| | 01 | F020370-00 | MUFFLER ASSEMBLY | | 1 |
| | 02 | F020442-00 | HEAD PIPE , MUFFLER ASSY. | | 1 |
| | 03 | F020445-00 | RING CLAMP | | 1 |
| | 04 | F020446-00 | PRINCIPAL PART,MUFFLER | | 1 |
| | 05 | A080009-41 | SPRING WASHER | Ø10.2X3.7X2.5t | 1 |
| | 06 | A050058-41 | HEX WASHER FACE BOLT | M10X1.5X15L | 1 |
| | 07 | A060040-42 | HEX NUT | M8X1.25 | 2 |
| | 08 | F020435-00 | GASKET , MUFFLER | | 1 |
| | 09 | F020228-50 | COVER BRACKET | | 1 |
| | 10 | F020472-15 | COVER,SAFETY | | 1 |
| | 11 | A130002-43 | TAPPING SCREW | 4X12L | 3 |

FRONT, REAR SUSPENSIONE



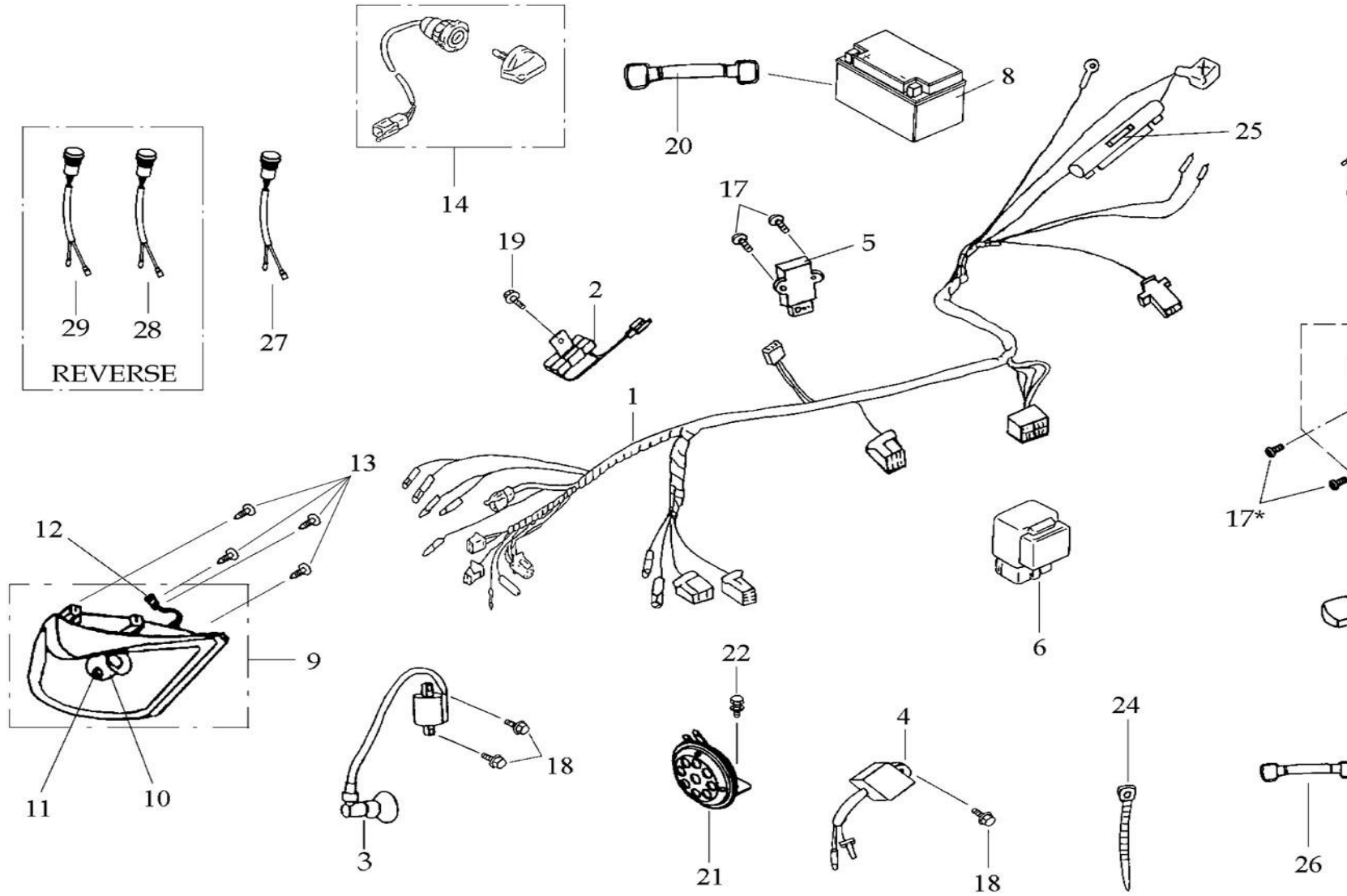


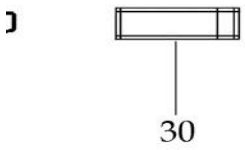
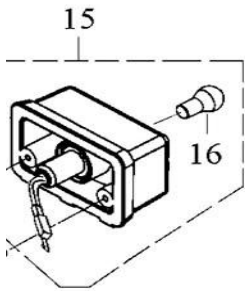
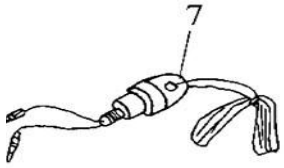
D1023-161A

FRONT, REAR SUSPENSIONE

| Model | Item | Part no | Description | Specification | Quantity |
|-------|------|------------|----------------------------|-------------------|----------|
| | 01 | F020344-00 | FRONT SUSPENSION 260mm | 260mm | 2 |
| | 02 | F020280-00 | REAR SUSPENSION | 260mm | 1 |
| | 03 | A050001-41 | HEX WASHER FACE BOLT | M10X1.25X40L | 6 |
| | 04 | A060007-41 | INSERT LOCK NUT | M10X1.25 | 10 |
| | 05 | F020489-48 | RIGHT SUSPENSION ARM ASSY. | RIGHT SIDE,BLACK | 1 |
| | * | F020489-49 | RIGHT SUSPENSION ARM ASSY. | RIGHT SIDE,SILVER | 1 |
| | 06 | | RIGHT SUSPENSION ARM | RIGHT SIDE,BLACK | 1 |
| | * | | RIGHT SUSPENSION ARM | RIGHT SIDE,SILVER | 1 |
| | 07 | F020490-48 | LEFT SUSPENSION ARM ASSY. | LEFT SIDE,BLACK | 1 |
| | * | F020490-49 | LEFT SUSPENSION ARM ASSY. | LEFT SIDE,SILVER | 1 |
| | 08 | | LEFT SUSPENSION ARM | LEFT SIDE,BLACK | 1 |
| | * | | LEFT SUSPENSION ARM | LEFT SIDE,SILVER | 1 |
| | 09 | | SUSPENSION ARM BUSH | Ø10XØ28X27L | 4 |
| | 10 | A050019-41 | HEX WASHER FACE BOLT | M10X1.25X48L | 4 |

WIRE HARNESS(E06 ENGINE)



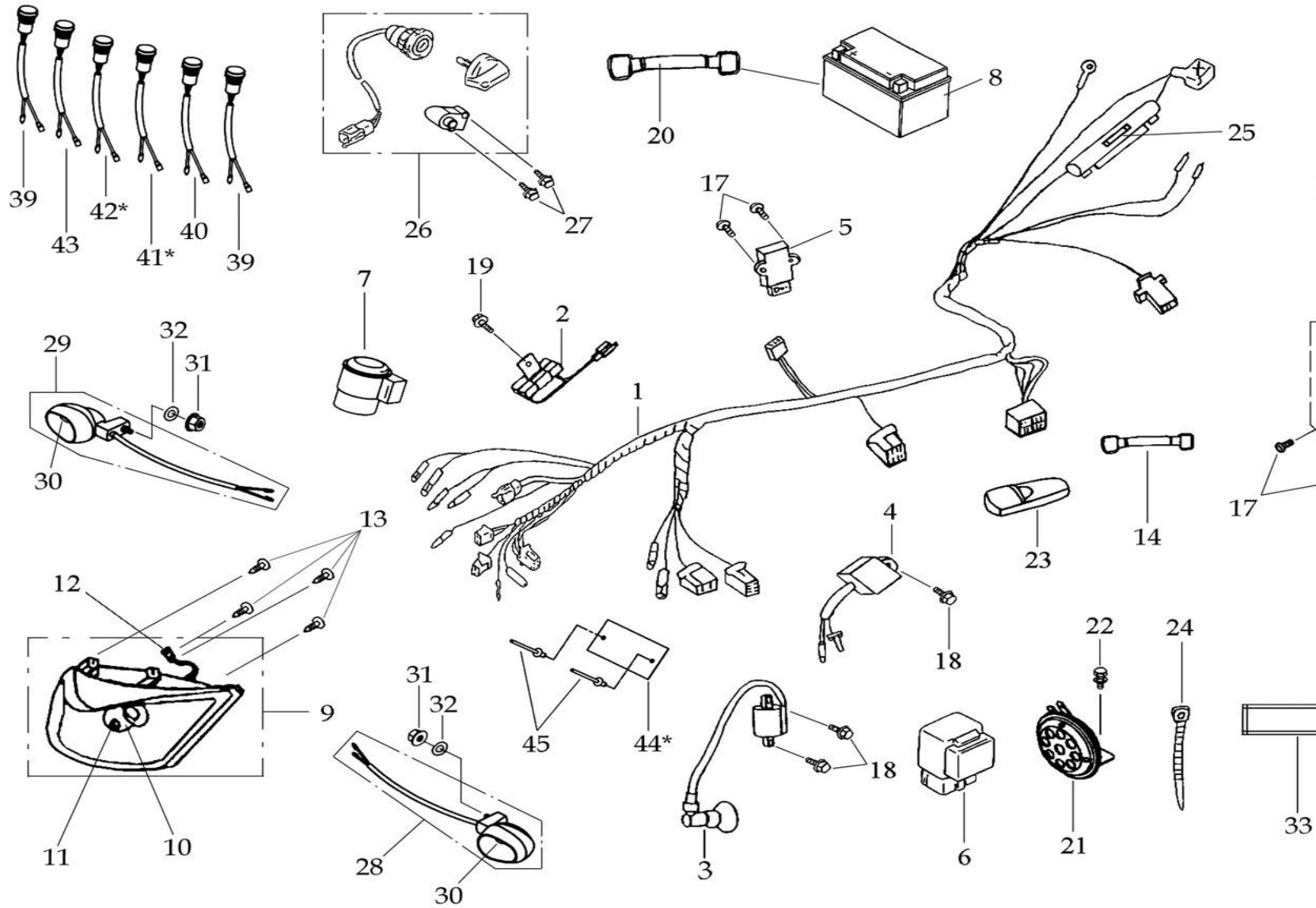


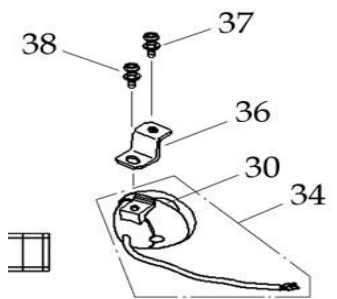
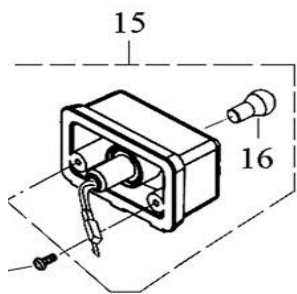
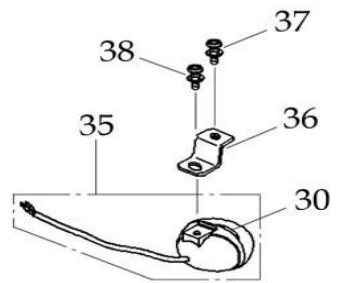
D1023-171A

WIRE HARNESS(E06 ENGINE)

| Model | Item | Part no | Description | Specification | Quantity |
|-------|------|------------|---------------------------|---------------|----------|
| | 01 | F080034-00 | MAIN WIRE ASSY | | 1 |
| | 02 | A190008-00 | RESISTOR | | 1 |
| | 03 | A190046-00 | IGNITION COIL ASSY. | | 1 |
| | 04 | A190001-01 | C.D.I. UNIT ASSY. | | 1 |
| | 05 | A190003-01 | RECTIFIER & REGULATOR | | 1 |
| | 06 | A190047-00 | STARTER RELAY ASSY. | | 1 |
| | 07 | F020190-00 | SAFETY SWITCH | | 1 |
| | 08 | F020042-00 | BATTERY | YTX7A-BS | 1 |
| | 09 | F080009-00 | HEAD LIGHT | | 1 |
| | 10 | A180054-00 | BULB | 12V-35/35W,CE | 1 |
| | 11 | A180049-00 | BULB | 12V-5W,CE | 1 |
| | 12 | F080033 | HEAD LIGHT WIRING | | 1 |
| | 13 | A130007-43 | TAPPING SCREW | 4X16L | 4 |
| | 14 | F020182A01 | MAIN SWITCH | | 1 |
| GH100 | 15 | F040089-00 | TAIL LIGHT | | 1 |
| GH100 | 16 | A180053-00 | BULB | P21/5W,CE | 1 |
| GH100 | 17 | A050031-41 | SLOTTED HEAD BOLT | M5X0.8X16L | 4 |
| | 18 | A050024-41 | HEX WASHER FACE BOLT | M6X1.0X16L | 3 |
| | 19 | A050017-43 | HEX WASHER FACE BOLT | M6X1.0X12L | 1 |
| | 20 | F020199-00 | RUBBER BAND(BATTERY) | | 1 |
| | 21 | A190048-00 | HORN | | 1 |
| | 22 | A050023-41 | HEX BOLT | M6X1.0X16L | 1 |
| | 23 | F020189-00 | TOOL KIT | | 1 |
| | 24 | F020188-00 | STRAP | L=177mm | 26 |
| | 25 | A190050-00 | FUSE | 8A | 1 |
| | 26 | F030041-00 | RUBBER BAND(TOOLS) | | 1 |
| | 27 | A180040-00 | OIL WARNING LIGHT | | 1 |
| | 28 | A180036-00 | INDICATION,IN REVERS GEAR | | 1 |
| | 29 | A180023-00 | INDICATION,IN DRIVER GEAR | | 1 |
| | 30 | F040097-00 | JACKET | | 1 |

WIRE HARNESS E-MARK(E06 ENGINE)



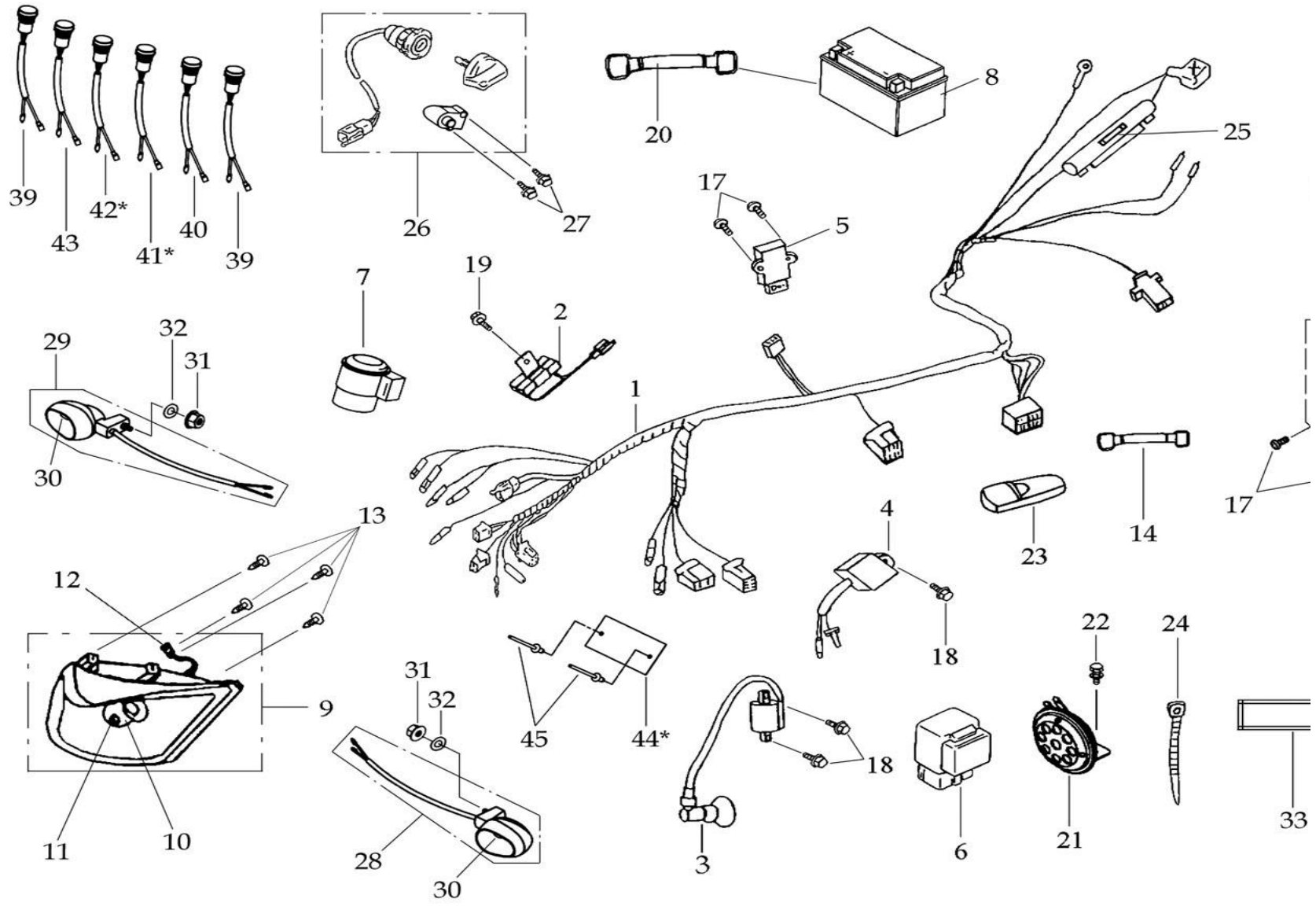


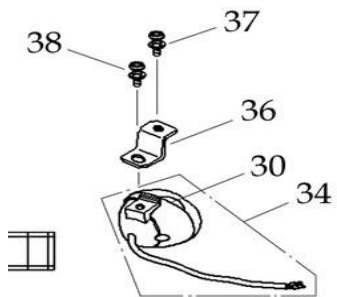
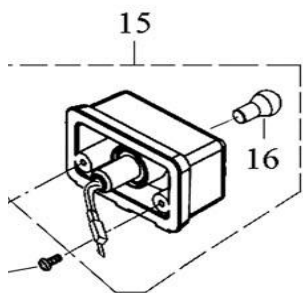
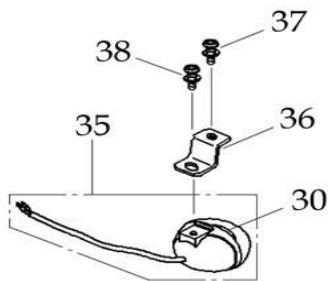
D1023-181A

WIRE HARNESS E-MARK(E06 ENGINE)

| Model | Item | Part no | Description | Specification | Quantity |
|-------|------|------------|-----------------------|---------------|----------|
| | 01 | F020405-00 | MAIN WIRE ASSEMBLY | | 1 |
| | 02 | A190008-00 | RESISTOR | | 1 |
| | 03 | A190046-00 | IGNITION COIL ASSY. | | 1 |
| | 04 | A190001-01 | C.D.I. UNIT ASSY. | | 1 |
| | 05 | A190003-01 | RECTIFIER & REGULATOR | | 1 |
| | 06 | A190047-00 | STARTER RELAY ASSY. | | 1 |
| | 07 | A190049-00 | FLASHER RELAY | | 1 |
| | 08 | F020042-00 | BATTERY | YTX7A-BS | 1 |
| | 09 | F080009-00 | HEAD LIGHT | | 1 |
| | 10 | A180054-00 | BULB | 12V-35/35W,CE | 1 |
| | 11 | A180049-00 | BULB | 12V-5W,CE | 1 |
| | 12 | F080033 | HEAD LIGHT MAIN WIRE | | 1 |
| | 13 | A130007-43 | TAPPING SCREW | 4X16L | 4 |
| | 14 | F030041-00 | RUBBER BAND(TOOLS) | | 1 |
| | 15 | F040089-00 | TAIL LIGHT | | 1 |
| | 16 | A180053-00 | BULB | P21/5W,CE | 1 |
| | 17 | A050031-41 | SLOTTED HEAD BOLT | M5X0.8X16L | 4 |
| | 18 | A050024-41 | HEX WASHER FACE BOLT | M6X1.0X16L | 3 |
| | 19 | A050017-43 | HEX WASHER FACE BOLT | M6X1.0X12L | 1 |
| | 20 | F020199-00 | RUBBER BAND(BATTERY) | | 1 |
| | 21 | A190048-00 | HORN | | 1 |
| | 22 | A050023-41 | HEX BOLT | M6X1.0X16L | 1 |
| | 23 | F020189-00 | TOOL KIT | | 1 |
| | 24 | F020188-00 | STRAP | L=177mm | 26 |
| | 25 | A190050-00 | FUSE | 8A | 1 |
| | 26 | F020306A01 | MAIN SWITCH | | 1 |
| | 27 | A050090-41 | SOLTTED HEAD BOLT | M6X1.0X8L | 2 |
| | 28 | F020262-00 | DIRECTIONAL | LEFT SIDE | 1 |
| | 29 | F020263-00 | DIRECTIONAL | RIGHT SIDE | 1 |

WIRE HARNESS E-MARK(E06 ENGINE)



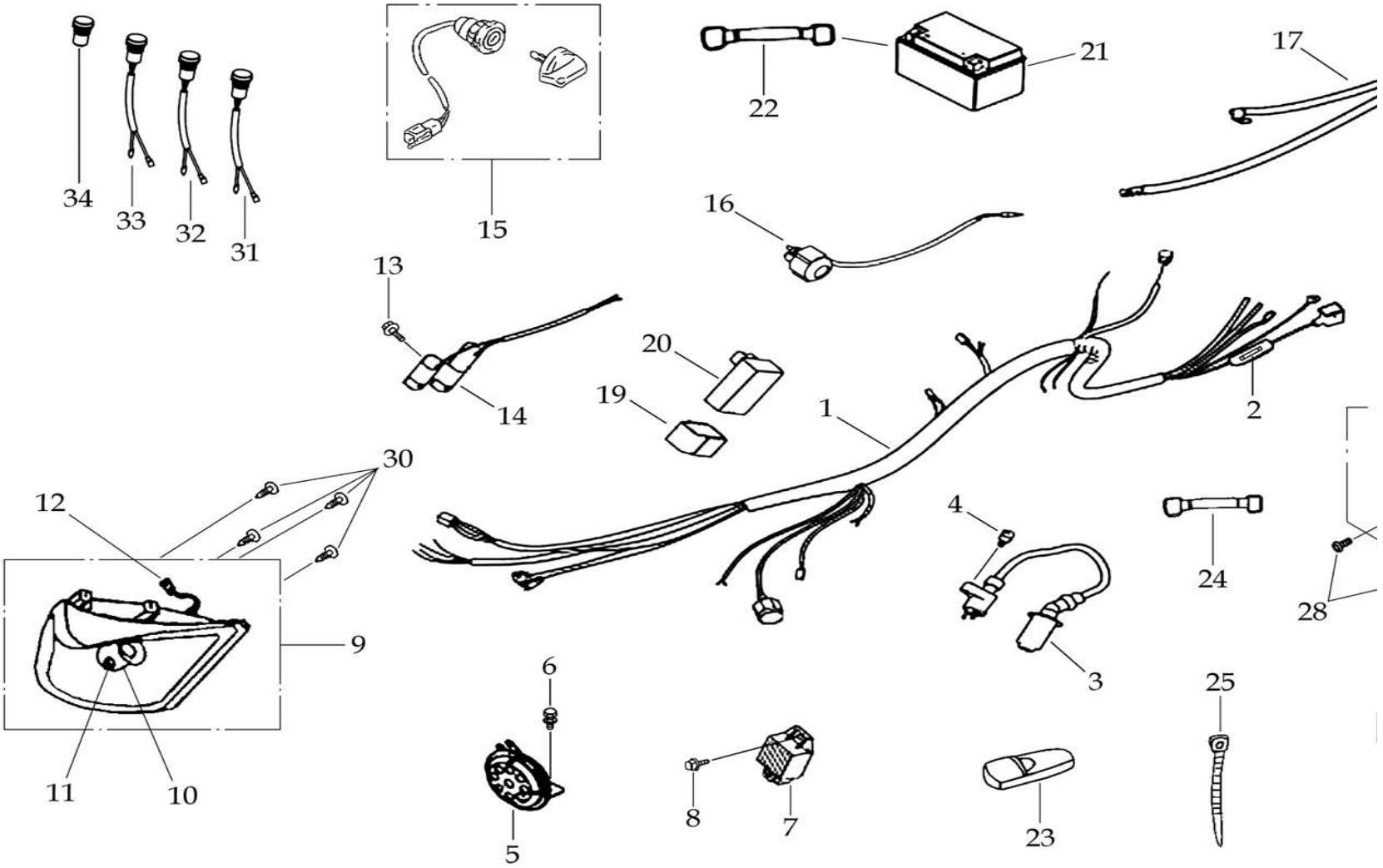


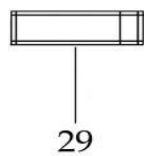
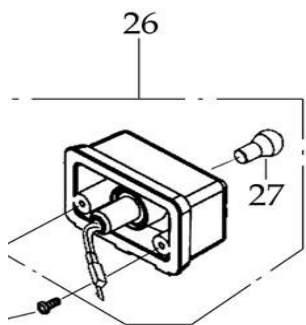
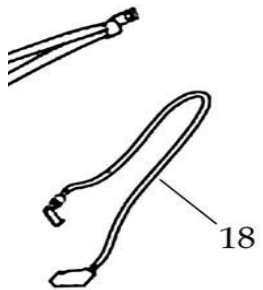
D1023-181A

WIRE HARNESS E-MARK(E06 ENGINE)

| Model | Item | Part no | Description | Specification | Quantity |
|--------|------|------------|---------------------------|-----------------|----------|
| | 30 | A180051-00 | BULB | 12V/10W(E-Mark) | 4 |
| | 31 | A060027-41 | INSERT LOCK NUT | M6X1.0 | 2 |
| | 32 | A080068-41 | PLAIN WASHER | Ø9XØ18X2t | 2 |
| | 33 | F040097-00 | JACKET | | 1 |
| | 34 | A180044-00 | DIRECTIONAL LIGHT | LEFT SIDE | 1 |
| | 35 | A180045-00 | DIRECTIONAL LIGHT | RIGHT SIDE | 1 |
| | 36 | F020552-50 | REAR TURN SIGNAL BRACKET | | 2 |
| | 37 | A050156-43 | SLOTTED HEAD BOLT | M6X1.0X16L | 2 |
| | 38 | A050095-41 | SLOTTED HEAD BOLT | M5X0.8X12L | 2 |
| | 39 | A180008-00 | INDICATION,DIRECTIONAL | | 2 |
| | 40 | A180010-00 | INDICATION,HEAD LIGHT | | 1 |
| | 41 | A180002-00 | INDICATION,IN REVERS GEAR | | 1 |
| | * | A180013-00 | TOP | | 1 |
| GD050 | * | A180006 | INDICATION,POWER ON | | 1 |
| GD100 | * | A180006 | INDICATION,POWER ON | | 1 |
| GK100 | | | | | |
| | 42 | A180022-00 | INDICATION,IN DRIVER GEAR | | 1 |
| | * | A180013-00 | TOP | | 1 |
| | 43 | A180012-00 | INDICATION,OIL WARNING | | 1 |
| 50cc. | 44 | | LICENCE PLATE | | 1 |
| 100cc. | * | | LICENCE PLATE | | 1 |
| 110cc. | * | | LICENCE PLATE | | 1 |
| | 45 | F020200-00 | RIVET | Ø3X6L | 2 |

WIRE HARNESS(E02 ENGINE)



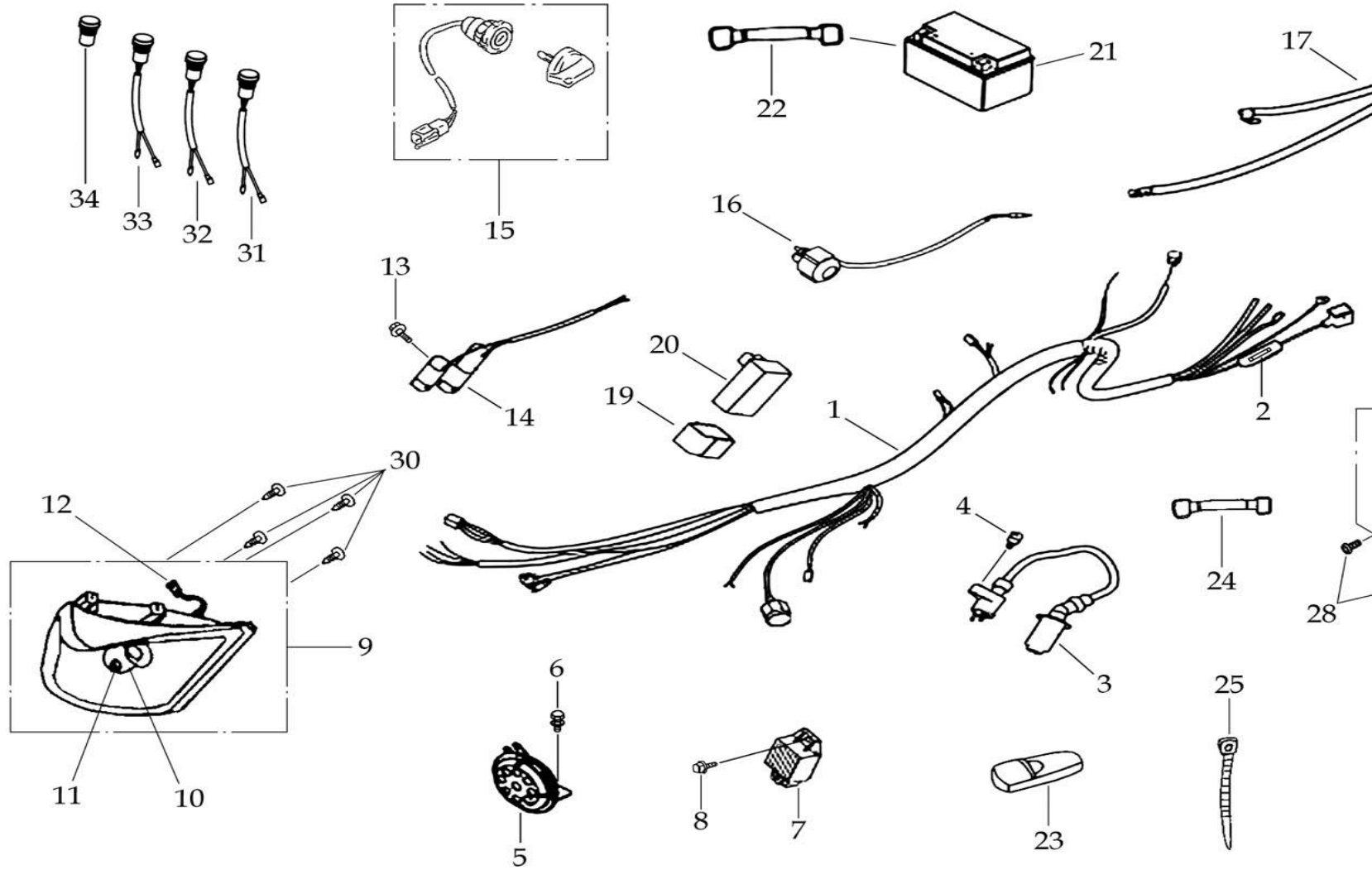


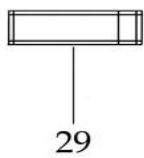
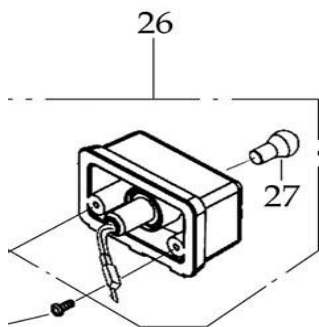
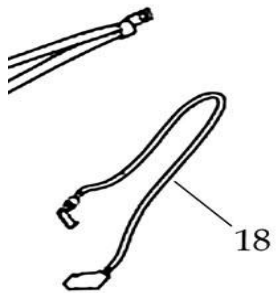
D1023-191A

WIRE HARNESS(E02 ENGINE)

| Model | Item | Part no | Description | Specification | Quantity |
|-------|------|------------|-----------------------|---------------|----------|
| | 01 | F080035 | MAIN WIRING ASSY | | 1 |
| | 02 | A190050-00 | FUSE | 8A | 1 |
| | 03 | A190004-00 | IGNITION COIL ASSY. | | 1 |
| | 04 | A050144-41 | HEX WASHER FACE BOLT | M5X0.8X20L | 1 |
| | 05 | A190048-00 | HORN | | 1 |
| | 06 | A050023-41 | HEX BOLT | M6X1.0X16L | 1 |
| | 07 | A190007-01 | RECTIFIER & REGULATOR | | 1 |
| | 08 | A050024-41 | HEX WASHER FACE BOLT | M6X1.0X16L | 1 |
| | 09 | F080009-00 | HEAD LIGHT | | 1 |
| | 10 | A180054-00 | BULB | 12V-35/35W,CE | 1 |
| | 11 | A180049-00 | BULB | 12V-5W,CE | 1 |
| | 12 | F080033 | HEAD LIGHT MAIN WIRE | | 1 |
| | 13 | A050081-43 | HEX WASHER FACE BOLT | M6X1.0X10L | 1 |
| | 14 | A190006-00 | RESISTOR | | 1 |
| | 15 | F020182A01 | MAIN SWITCH | | 1 |
| | 16 | A190002-00 | STARTER RELAY ASSY. | | 1 |
| | 17 | F040111-00 | NEGATIVE POLE WIRE | | 1 |
| | 18 | F040110-00 | POSITIVE WIRE | | 1 |
| | 19 | F020431-00 | C.D.I. CAP | | 1 |
| | 20 | A190005-01 | C.D.I. UNIT ASSY. | | 1 |
| | 21 | F020042-00 | BATTERY | YTX7A-BS | 1 |
| | 22 | F020199-00 | RUBBER BAND(BATTERY) | | 1 |
| | 23 | F020189-00 | TOOL KIT | | 1 |
| | 24 | F030041-00 | RUBBER BAND(TOOLS) | | 1 |
| | 25 | F020188-00 | STRAP | L=177 mm | 23 |
| AE150 | 26 | F040089-00 | TAIL LIGHT | | 1 |
| AE150 | 27 | A180053-00 | BULB | P21/5W,CE | 1 |
| AE150 | 28 | A050031-41 | SLOTTED HEAD BOLT | M5X0.8X16L | 2 |

WIRE HARNESS(E02 ENGINE)



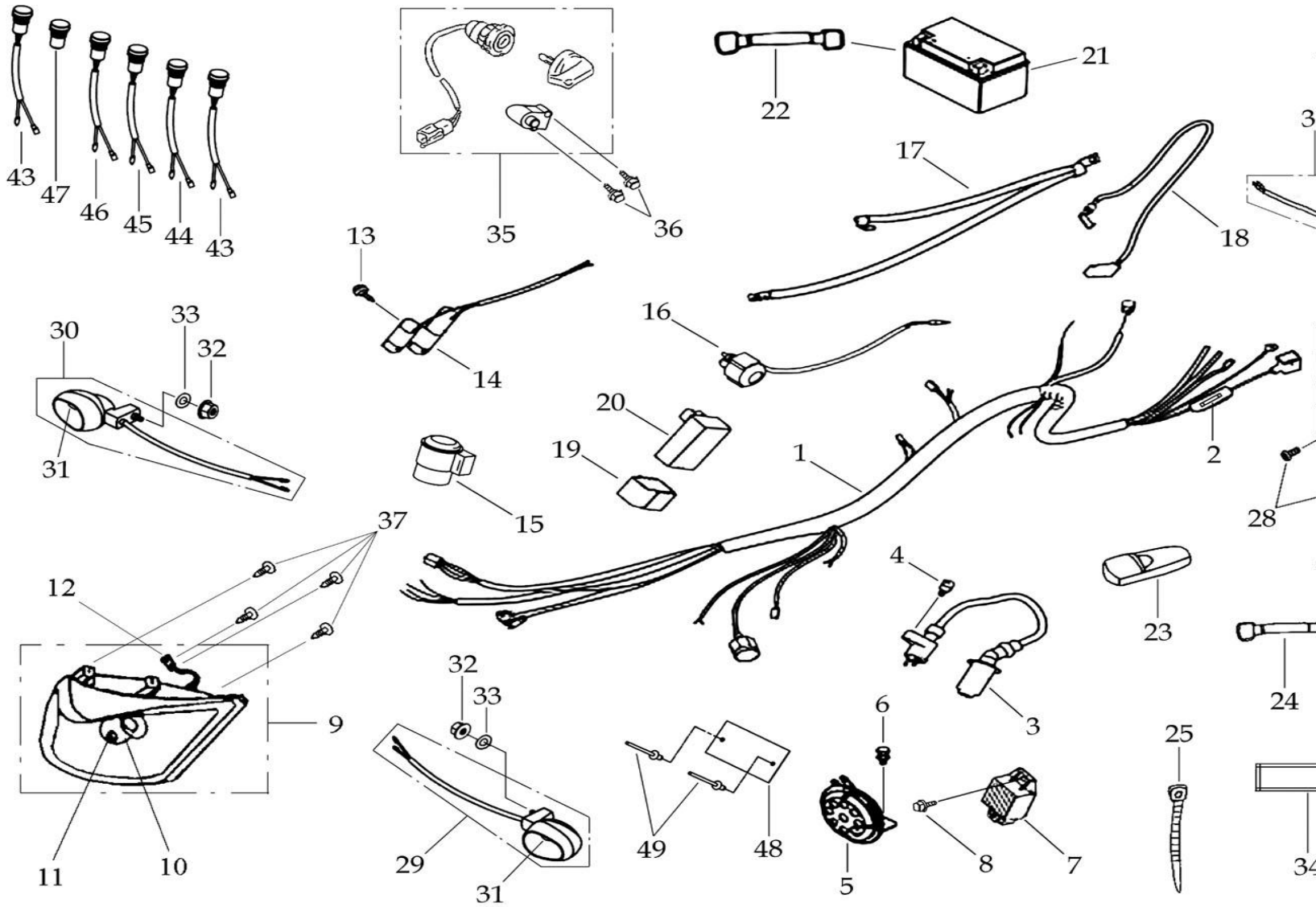


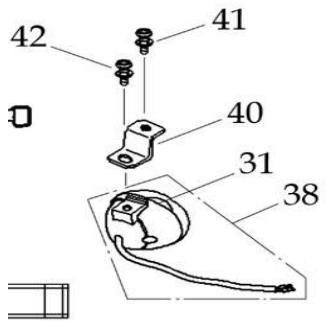
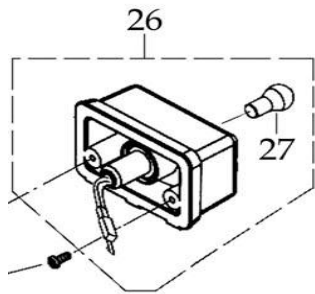
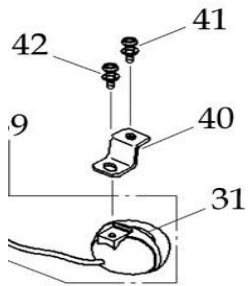
D1023-191A

WIRE HARNESS(E02 ENGINE)

| Model | Item | Part no | Description | Specification | Quantity |
|-------|------|------------|---------------------------|---------------|----------|
| | 29 | F040097-00 | JACKET | | 1 |
| | 30 | A130007-43 | TAPPING SCREW | 4X16L | 4 |
| | 31 | A180010-00 | INDICATION,HEAD LIGHT | | 1 |
| | 32 | A180002-00 | INDICATION,IN REVERS GEAR | | 1 |
| | 33 | A180022-00 | INDICATION,IN DRIVER GEAR | | 1 |
| | 34 | A180013-00 | TOP | | 1 |

WIRE HARNESS E-MARK(E02 ENGINE)





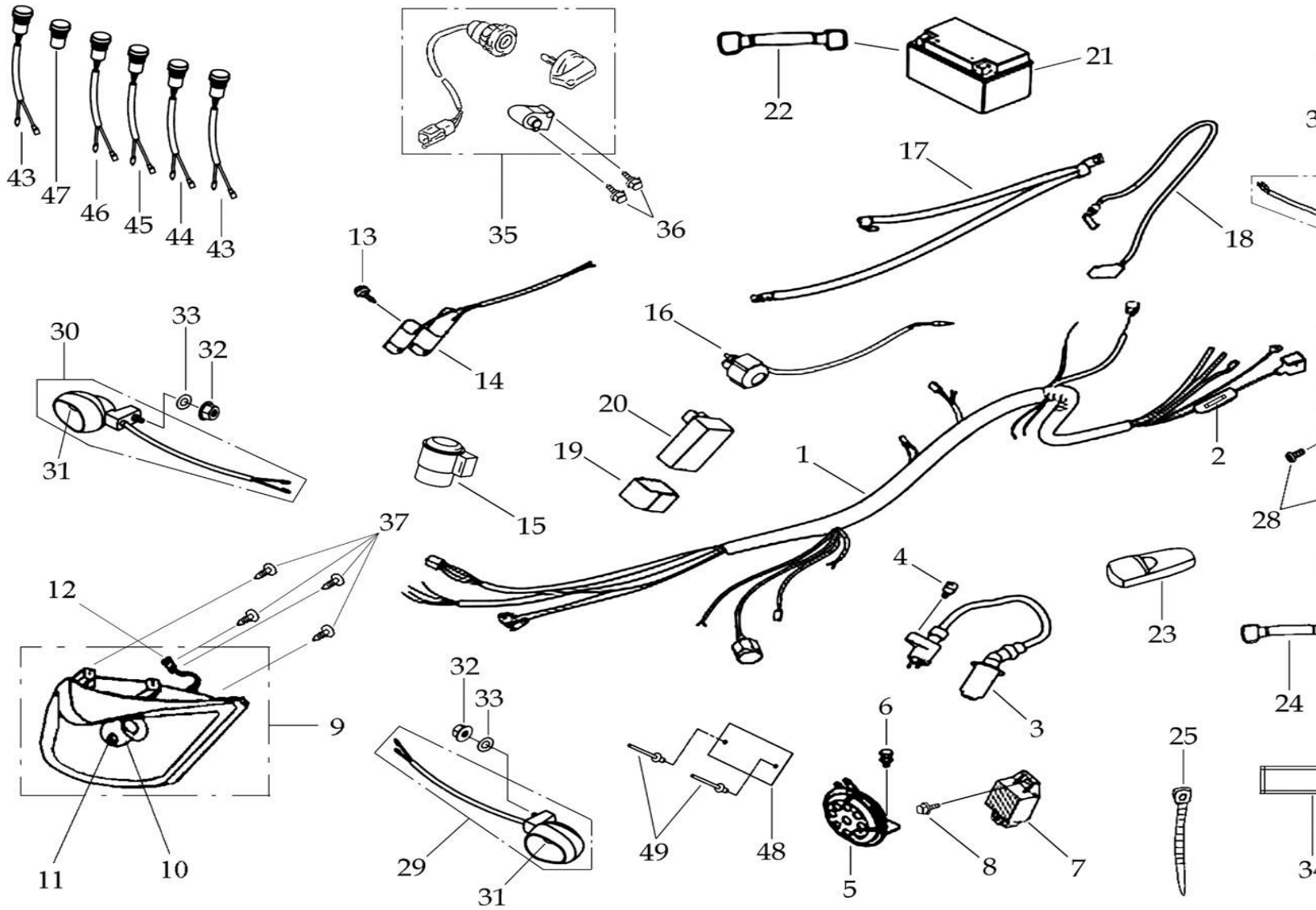
1

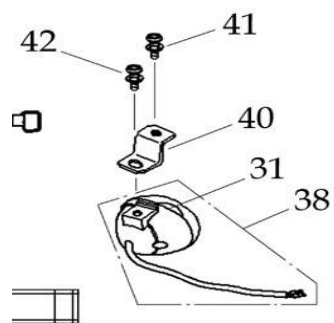
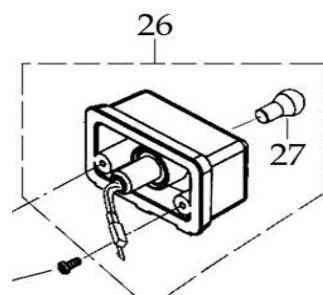
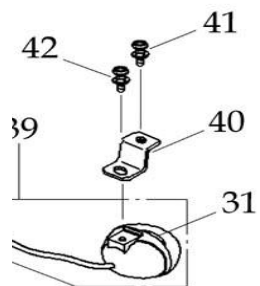
D1023-201A

WIRE HARNESS E-MARK(E02 ENGINE)

| Model | Item | Part no | Description | Specification | Quantity |
|-------|------|------------|-----------------------|---------------|----------|
| | 01 | F020425-00 | MAIN WIRE ASSEMBLY | | 1 |
| | 02 | A190050-00 | FUSE | 8A | 1 |
| | 03 | A190004-00 | IGNITION COIL ASSY. | | 1 |
| | 04 | A050144-41 | HEX WASHER FACE BOLT | M5X0.8X20L | 1 |
| | 05 | A190048-00 | HORN | | 1 |
| | 06 | A050023-41 | HEX BOLT | M6X1.0X16L | 1 |
| | 07 | A190007-01 | RECTIFIER & REGULATOR | | 1 |
| | 08 | A050024-41 | HEX WASHER FACE BOLT | M6X1.0X16L | 1 |
| | 09 | F080009-00 | HEAD LIGHT | | 1 |
| | 10 | A180054-00 | BULB | 12V-35/35W,CE | 1 |
| | 11 | A180049-00 | BULB | 12V-5W,CE | 1 |
| | 12 | F080033 | HEAD LIGHT MAIN WIRE | | 1 |
| | 13 | A050081-43 | HEX WASHER FACE BOLT | M6X1.0X10L | 1 |
| | 14 | A190006-00 | RESISTOR | | 1 |
| | 15 | A190049-00 | FLASHER RELAY | | 1 |
| | 16 | A190002-00 | STARTER RELAY ASSY. | | 1 |
| | 17 | F040111-00 | NEGATIVE POLE WIRE | | 1 |
| | 18 | F040110-00 | POSITIVE WIRE | L=345mm | 1 |
| | 19 | F020431-00 | C.D.I. CAP | | 1 |
| | 20 | A190005-01 | C.D.I. UNIT ASSY. | | 1 |
| | 21 | F020042-00 | BATTERY | YTX7A-BS | 1 |
| | 22 | F020199-00 | RUBBER BAND(BATTERY) | | 1 |
| | 23 | F020189-00 | TOOL KIT | | 1 |
| | 24 | F030041-00 | RUBBER BAND(TOOLS) | | 1 |
| | 25 | F020188-00 | STRAP | L=177 mm | 23 |
| | 26 | F040089-00 | TAIL LIGHT | | 1 |
| | 27 | A180053-00 | BULB | P21/5W,CE | 1 |
| | 28 | A050031-41 | SLOTTED HEAD BOLT | M5X0.8X16L | 2 |
| | 29 | F020262-00 | DIRECTIONAL | LEFT SIDE | 1 |

WIRE HARNESS E-MARK(E02 ENGINE)





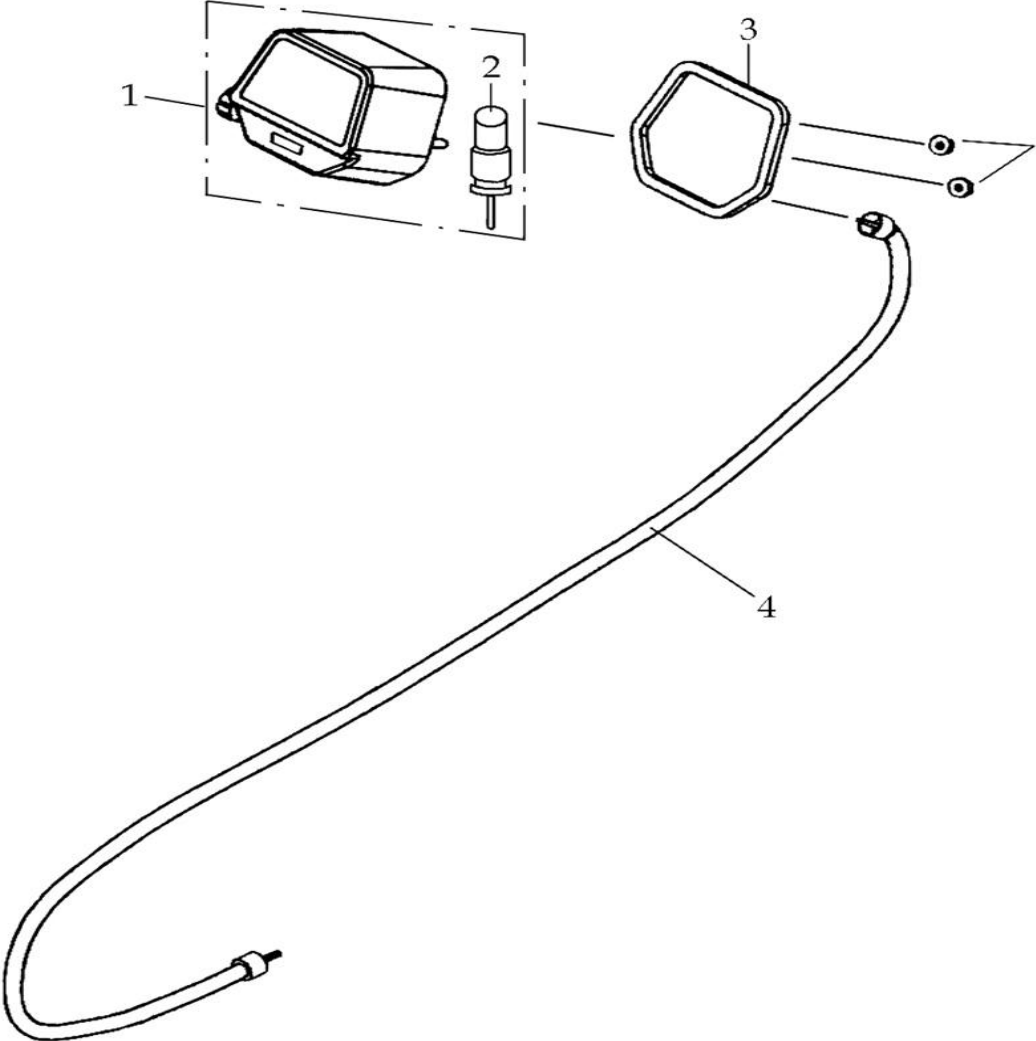
4

D1023-201A

WIRE HARNESS E-MARK(E02 ENGINE)

| Model | Item | Part no | Description | Specification | Quantity |
|-------|------|------------|---------------------------|---------------|----------|
| | 30 | F020263-00 | DIRECTIONAL LIGHT | RIGHT SIDE | 1 |
| | 31 | A180051-00 | BULB | 12V/10W,CE | 4 |
| | 32 | A060027-41 | INSERT LOCK NUT | M6X1.0 | 2 |
| | 33 | A080068-41 | PLAIN WASHER | Ø9XØ18X2t | 2 |
| | 34 | F040097-00 | JACKET | | 1 |
| | 35 | F020306A01 | MAIN SWITCH | | 1 |
| | 36 | A050090-41 | SOLTTED HEAD BOLT | M6X1.0X8L | 2 |
| | 37 | A130007-43 | TAPPING SCREW | 4X16L | 4 |
| | 38 | A180044-00 | DIRECTIONAL LIGHT | LEFT SIDE | 1 |
| | 39 | A180045-00 | DIRECTIONAL LIGHT | RIGHT SIDE | 1 |
| | 40 | F020552-50 | REAR TURN SIGNAL BRACKET | | 2 |
| | 41 | A050156-43 | SLOTTED HEAD BOLT | M6X1.0X16L | 2 |
| | 42 | A050095-41 | SLOTTED HEAD BOLT | M5X0.8X12L | 2 |
| | 43 | A180008-00 | INDICATION,DIRECTIONAL | L=345mm | 2 |
| | 44 | A180010-00 | INDICATION,HEAD LIGHT | L=345mm | 1 |
| | 45 | A180002-00 | INDICATION,IN REVERS GEAR | L=345mm | 1 |
| | 46 | A180022-00 | INDICATION,IN DRIVER GEAR | L=345mm | 1 |
| | 47 | A180013-00 | TOP | | 1 |
| | 48 | | LICENCE PLATE | | 1 |
| | 49 | F020200-00 | RIVET | Ø3X6L | 2 |

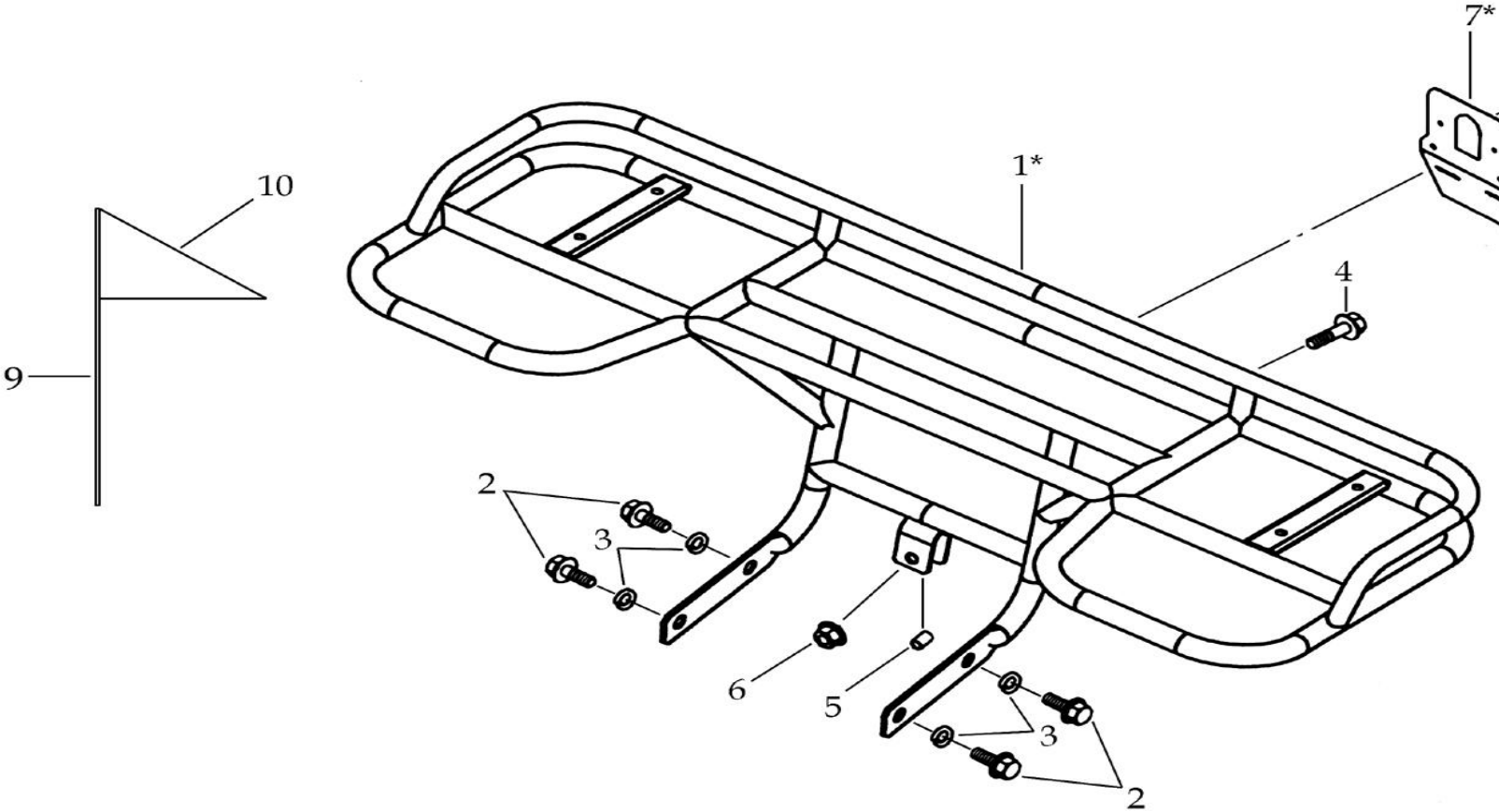
SPEEDOMETER

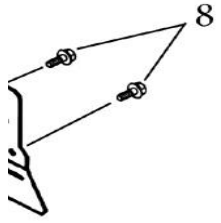


SPEEDOMETER

| Model | Item | Part no | Description | Specification | Quantity |
|-------|------|------------|--------------------|---------------|----------|
| | 01 | F020235-01 | SPEEDOMETER(DINLI) | | 1 |
| | 02 | A180047-00 | BULB | 12V-3.4W | 1 |
| | 03 | F020231-00 | SPEEDOMETER RUBBER | | 1 |
| | 04 | F020236-00 | SPEEDOMETER CABLE | | 1 |
| | 05 | A060054-00 | FAST FLANGE NUT | M5X0.8 | 2 |

RACK



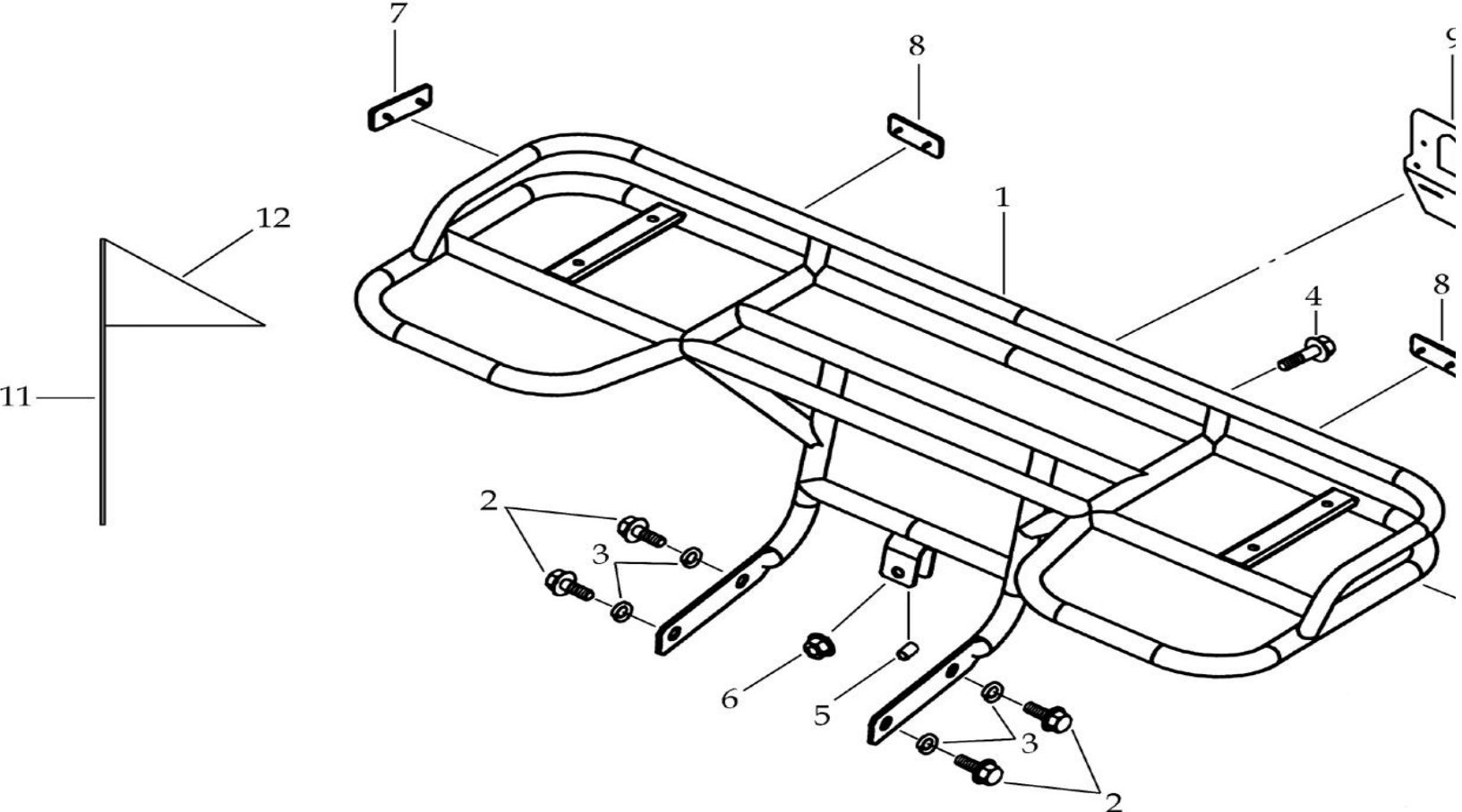


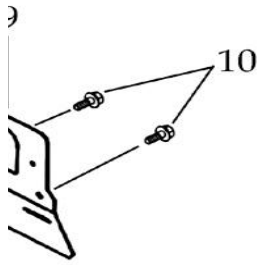
D1023-221A

RACK

| Model | Item | Part no | Description | Specification | Quantity |
|-------|------|------------|----------------------|----------------|----------|
| | 01 | F080020B48 | RACK | BLACK | 1 |
| | 02 | A050058-41 | HEX WASHER FACE BOLT | M10X1.5X15L | 4 |
| | 03 | A080009-41 | SPRING WASHER | Ø10.2X3.7X2.5t | 4 |
| | 04 | A050014-41 | HEX WASHER FACE BOLT | M8X1.25X40L | 1 |
| | 05 | F040031-41 | COLLAR | Ø8.5XØ15X22.5L | 1 |
| | 06 | A060014-41 | INSERT LOCK NUT | M8X1.25 | 1 |
| | 07 | F040077-50 | REAR LIGHT BRACKET | BLACK | 1 |
| | 08 | A050081-43 | HEX WASHER FACE BOLT | M6X1.0X10L | 2 |
| | 09 | A990170-00 | FLAGPOLE | | 1 |
| | 10 | A990161-01 | FLAG | | 1 |

RACK,CE



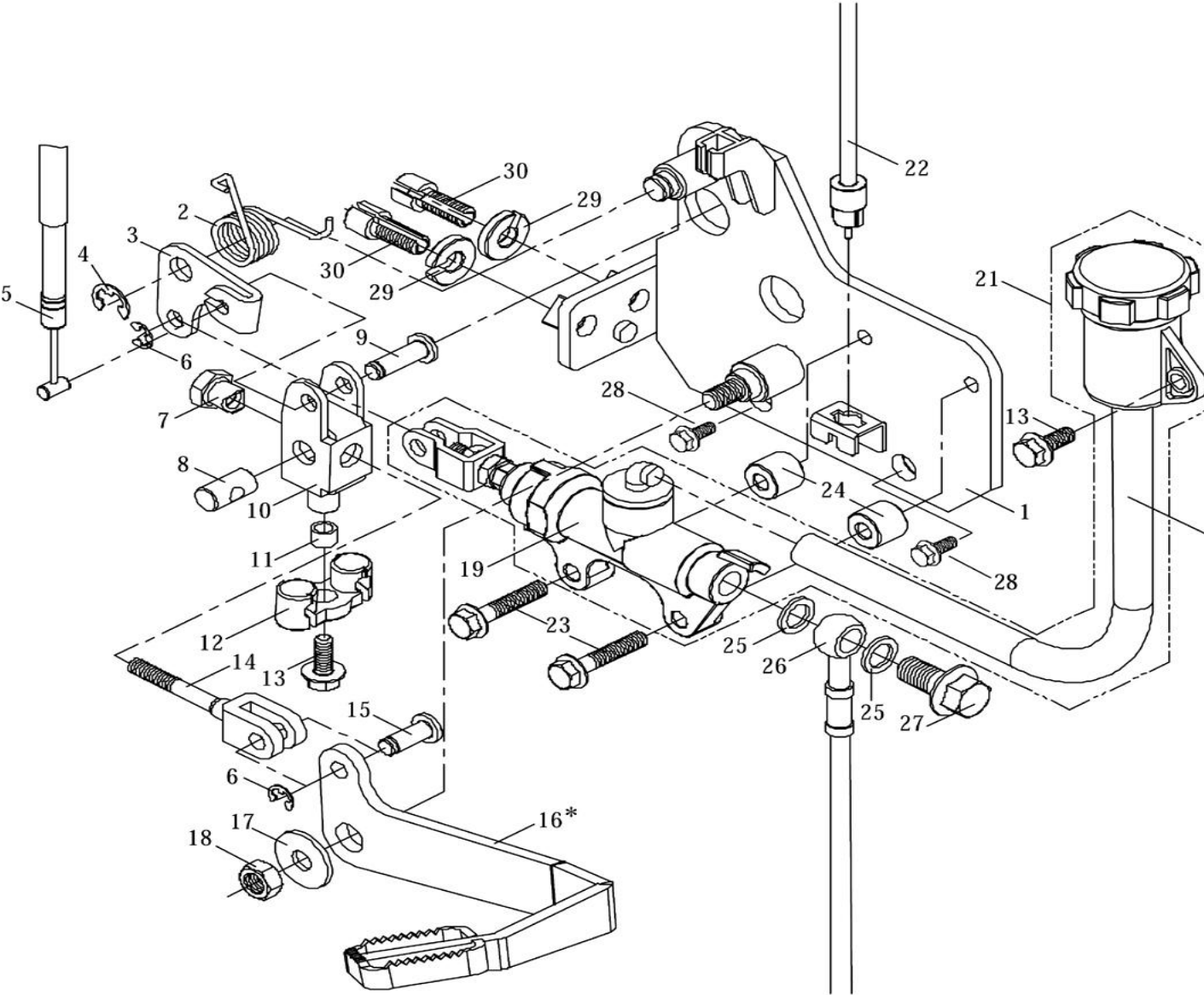


D1023-231A

RACK,CE

| Model | Item | Part no | Description | Specification | Quantity |
|-------|------|------------|----------------------|----------------|----------|
| | 01 | F080020B48 | RACK | BLACK | 1 |
| | 02 | A050058-41 | HEX WASHER FACE BOLT | M10X1.5X15L | 4 |
| | 03 | A080009-41 | SPRING WASHER | Ø10.2X3.7X2.5t | 4 |
| | 04 | A050014-41 | HEX WASHER FACE BOLT | M8X1.25X40L | 1 |
| | 05 | F040031-41 | COLLAR | Ø8.5XØ15X22.5L | 1 |
| | 06 | A060014-41 | INSERT LOCK NUT | M8X1.25 | 1 |
| | 07 | F020266-00 | SIDE REFLECTOR | | 2 |
| | 08 | F020265-00 | REAR REFLECTOR | | 2 |
| | 09 | F040077-50 | REAR LIGHT BRACKET | | 1 |
| | 10 | A050081-43 | HEX WASHER FACE BOLT | M6X1.0X10L | 2 |
| | 11 | A990170-00 | FLAGPOLE | | 1 |
| | 12 | A990161-01 | FLAG | | 1 |

FOOT BRAKE SYSTEM





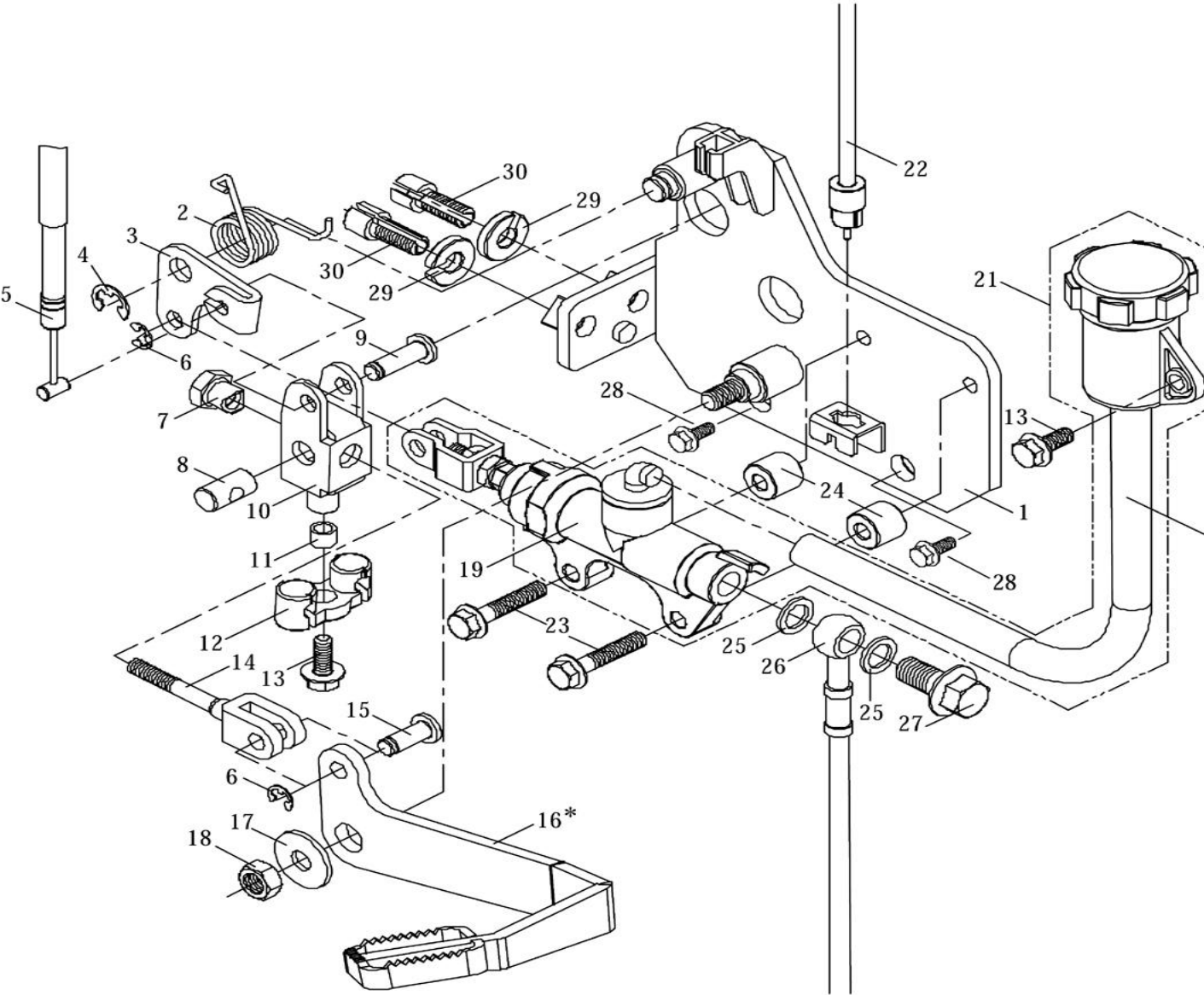
20

D1023-241A

FOOT BRAKE SYSTEM

| Model | Item | Part no | Description | Specification | Quantity |
|-------|------|------------|--------------------------|----------------|----------|
| | 01 | F020385-00 | CONTROL BASE, FOOT BRAKE | | 1 |
| | 02 | A110021-42 | TORSION SPRING | | 1 |
| | 03 | F020374-42 | HAND BRAKE LEVER ROD | | 1 |
| | 04 | A100017-43 | E CLIP | Ø8 | 1 |
| | 05 | F020391-00 | HAND BRAKE CABLE | | 1 |
| | 06 | A100016-43 | E CLIP | Ø5 | 2 |
| | 07 | A060036-42 | BRAKE ADJUST NUT | | 1 |
| | 08 | F020377-42 | PIN | | 1 |
| | 09 | A070020-42 | HEAD PIN | Ø7X20L | 1 |
| | 10 | F020375-42 | BALANCE ROD | | 1 |
| | 11 | F020381-42 | BUSH | Ø6XØ8.5X6.5L | 1 |
| | 12 | F020382-00 | BRAKE BALANCE ROD | | 1 |
| | 13 | A050024-41 | HEX WASHER FACE BOLT | M6X1.0X16L | 2 |
| | 14 | F020373A42 | BRAKE TIE ROD | | 1 |
| | 15 | A070021-42 | HEAD PIN | Ø7X15L | 1 |
| | 16 | F040105-42 | FOOT BRAKE PEDAL | E06 | 1 |
| | * | F040106-42 | FOOT BRAKE PEDAL | E02 | 1 |
| | 17 | A080059-41 | PLAIN WASHER | Ø8.4XØ24X2t | 1 |
| | 18 | A060014-41 | INSERT LOCK NUT | M8X1.25 | 1 |
| | 19 | F020428-00 | FOOT BRAKE PUMP | | 1 |
| | 20 | F020429-00 | TUBE,FOOT BRAKE PUMP | | 1 |
| | 21 | F020389-00 | FOOT BRAKE PUMP ASSY. | | 1 |
| | 22 | F070020-00 | REAR BRAKE SENSOR | | 1 |
| | 23 | A050134-41 | HEX WASHER FACE BOLT | M6X1.0X32L | 2 |
| | 24 | F020378-42 | COLLAR | Ø6.2XØ15X13L | 2 |
| | 25 | A080011-00 | PLAIN WASHER | Ø10.3XØ15X1.5t | 4 |
| | 26 | F020390-00 | TUBE HYDRAULIC FLUID | | 1 |
| | 27 | A050009-44 | HEX WASHER FACE BOLT | M10X1.25X22L | 2 |

FOOT BRAKE SYSTEM



}
-
}

- 20

D1023-241A

FOOT BRAKE SYSTEM

| Model | Item | Part no | Description | Specification | Quantity |
|-------|------|------------|----------------------|---------------|----------|
| | 28 | A050021-41 | HEX WASHER FACE BOLT | M10×1.5×20L | 2 |
| | 29 | A060037-44 | ADJUSTING NUT | | 2 |
| | 30 | A050133-44 | ADJUSTING BOLT | | 2 |

STICKERS

| | | |
|---|---------------------|------------|
| MANUFACTURED BY: DINLI METAL IND. CO., LTD. | | |
| GVWR: 195 LBS | DATE OF MFG: | |
| GAWR: | TIRE-DIMENSION-RIM | PSI COLD |
| FRONT: 95 LBS | 19 X 7 - 8 | 2.6 |
| REAR: 100 LBS | 18 X 9.5 - 8 | 3.0 |
| THIS VEHICLE CONFORMS TO ALL APPLICABLE U.S. FEDERAL MOTOR VEHICLE SAFETY STANDARDS (FMVSS) IN EFFECT ON THE DATE OF MANUFACTURE SHOWN ABOVE. | | |
| VEHICLE TYPE : 50 CC ATV | | |

1*

WARNING

Never change the transmission into forward Or reverse while the vehicle is running

Before shifting, the vehicle must be stopped and throttle lever returned to its closed position. Otherwise the transmission may be damaged.

Make sure the drive select lever is completely shifted to correct position. Follow the instruction in the owner's manual to change the transmission correctly



4

WARNING

IMPROPER TIRE PRESSURE OR OVERLOADING CAN CAUSE LOSS OF CONTROL. LOSS OF CONTROL CAN RESULT IN SEVERE INJURY OR DEATH.

OPERATING TIRE PRESSURE: Set with tires cold

- Recommended : FRONT : 20 kPa, { 0.2 kgf/cm² }, 2.8 psi
REAR : 25 kPa, { 0.25 kgf/cm² }, 3.6 psi
- Minimum : FRONT : 17 kPa, { 0.17 kgf/cm² }, 2.4 psi
REAR : 22 kPa, { 0.22 kgf/cm² }, 3.1 psi

• Never set tire pressure below minimum. It could cause the tire to dislodge from the rim.

LOADING

- Maximum Vehicle Load : 68 kg, (150 lbs)
Includes weight of operator, cargo and accessories.

ATV-02

6*




2


The owner's n information ar read carefully If the vehicle l owner's manu contact your

WARNING


Improper ATV use can result in SEVERE INJURY or DEATH



ALWAYS USE AN APPROVED HELMET AND PROTECTIVE CLOTHES



NEVER CARRY PASSENGERS



NEVER USE WITH DRUGS OR ALCOHOL

NEVER operate:

- without proper training or instruction.
- with a passenger-passengers affect balance and steering and increase risk of losing control.
- at speeds too fast for your skills or the conditions.

ALWAYS:

- use proper riding techniques to avoid vehicle overturns on hills and rough terrain and in turns.
- shut off engine, avoid sparks and open flame when refueling.

LOCATE AND READ OWNER'S MANUAL. FOLLOW ALL INSTRUCTIONS AND WARNINGS.

FOR #MARK ONLY ATV-01

5*

WARNING

UNDER 6

Operating this ATV if you are under the age of 6 increases your chance of severe injury or death. Adult supervision and instruction are required.

NEVER operate this ATV if you are under age 6.

ATV-05

7*

NEVER



Manual contains important safety instructions which should be read before operating the vehicle. If the vehicle has been resold, obtain the manual from the previous owner or local dealer for assistance.

3

⚠ WARNING

Do not ride as a passenger.

Passengers can cause a loss of control, resulting in SEVERE INJURY or DEATH.

ATV-04

8

STICKERS

| Model | Item | Part no | Description | Specification | Quantity |
|-----------|------|------------|--|---------------|----------|
| | 01 | | LABEL | 50cc.,7" TIRE | 1 |
| | * | | LABEL | 50cc.,8" TIRE | 1 |
| | * | | LABEL | 100cc. | 1 |
| | * | | LABEL | 150cc. | 1 |
| | 02 | A990155-00 | DECAL (Pls comment for which COLOR quad) | | 1 |
| | 03 | A990149-00 | LABEL | | 1 |
| | 04 | A990150-00 | LABEL | | 1 |
| | 05 | A990032-00 | PROPER ATV USE LABEL | CE | 1 |
| | * | A990032-01 | PROPER ATV USE LABEL | | 1 |
| 50cc. | 06 | A990138-00 | WARRING LABEL | 68Kgs | 1 |
| 90~150cc. | * | A990138-01 | WARRING LABEL | | 1 |
| 50cc. | 07 | A990135-00 | WARRING LABEL(Y-6) | Y-6 | 1 |
| 90~150cc. | * | A990135-02 | WARRING LABEL(Y-16) | Y-16 | 1 |
| | 08 | A990033-00 | NO PASSENGER LABEL | | 1 |

D1023-251A

