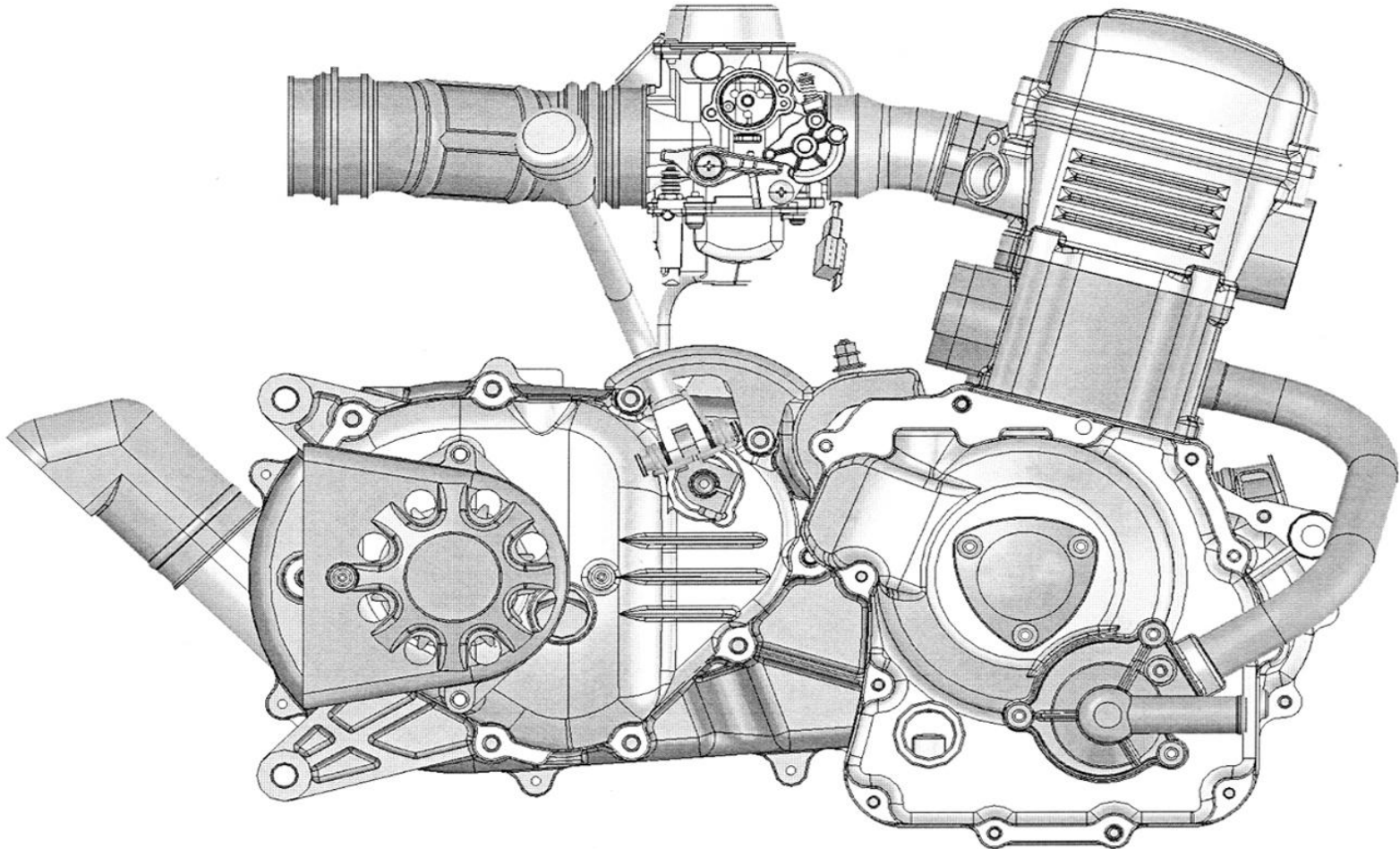


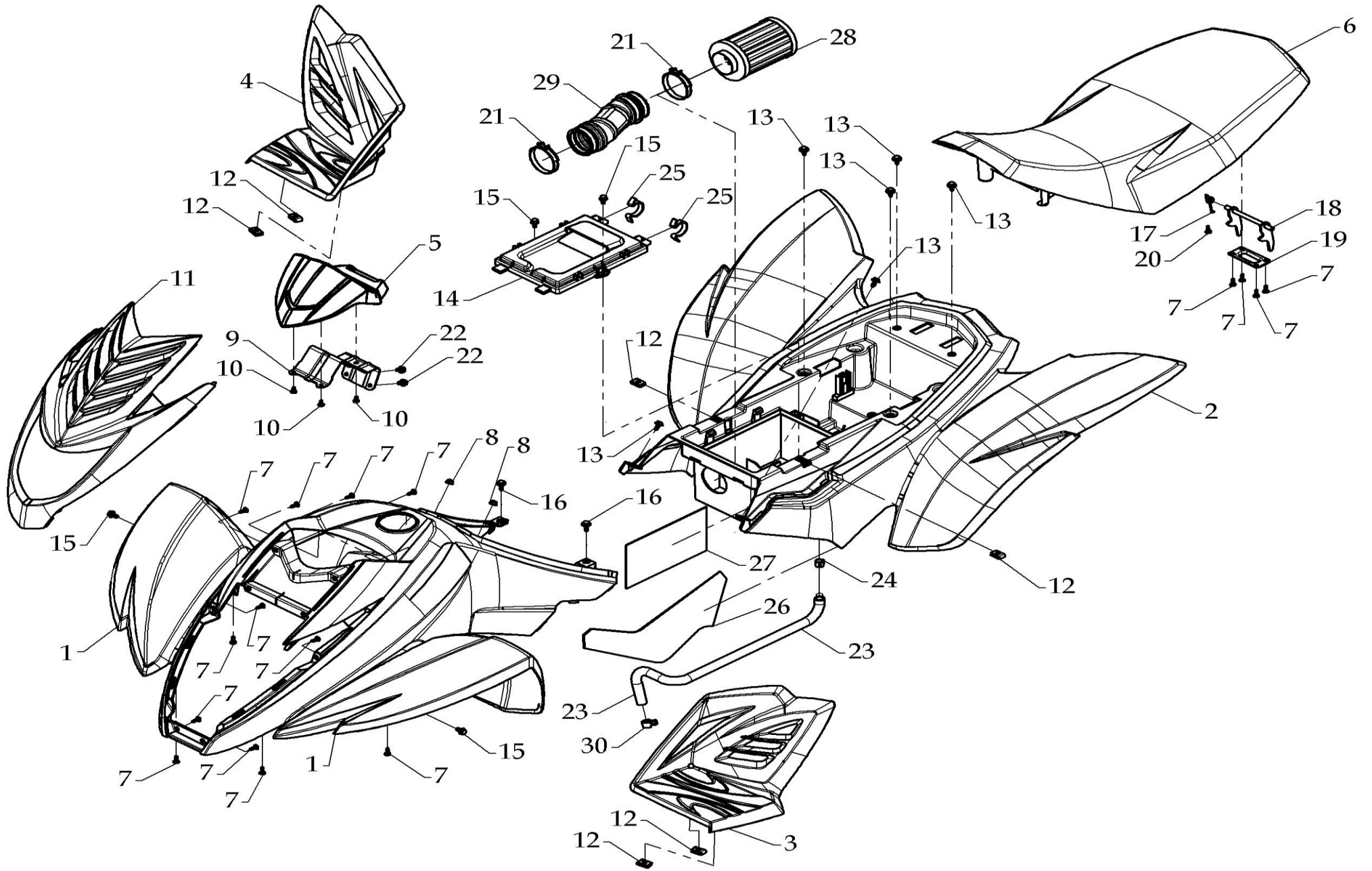
ENGINE



ENGINE

Model	Item	Part no	Description	Specification	Quantity
	01	E130000A01	E13 ENGINE	270C.C.	1
	02	E130000A03	E13 ENGINE	300C.C.	1

FENDER, SEAT

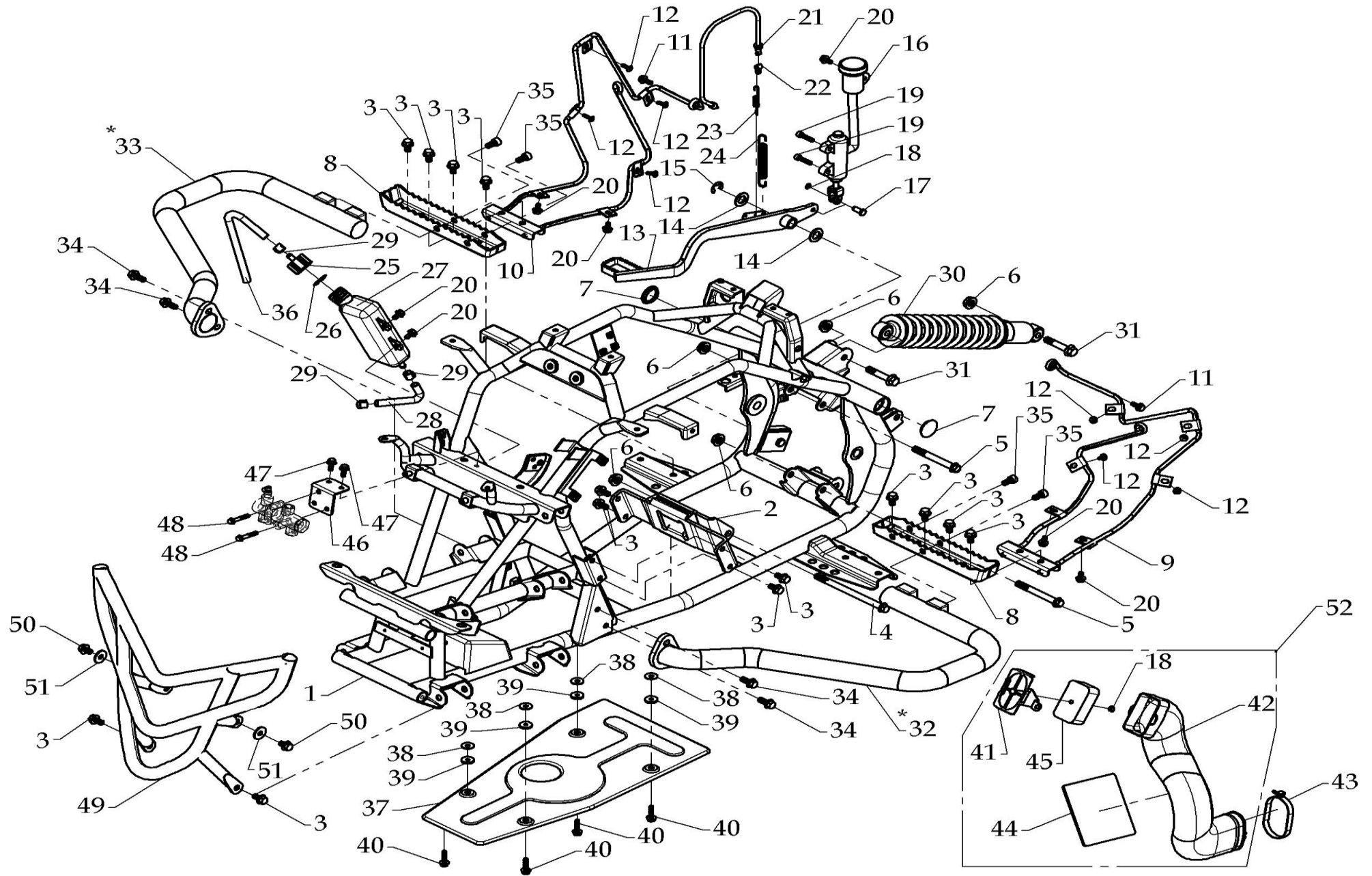


D1026-021C

FENDER, SEAT

Model	Item	Part no	Description	Specification	Quantity
	01	F140001	FRONT FENDER		1
	02	F140002A	REAR FENDER		1
	03	F140005-15	LEFT FOOTBOARD		1
	04	F140006-15	RIGHT FOOTBOARD		1
	05	F140004	SPEEDOMETER COVER		1
	06	F140009A00	SEAT ASSEMBLY		1
	07	A130005-43	TAPPING SCREW	5X16L	16
	08	A060009-41	HEX NUT	M6X1.0	2
	09	F140042A48	SPEEDOMETER COVER BRACKET		1
	10	A130018-43	TAPPING SCREW	5X12L	3
	11	F140003-15	FRONT DECORATES COVER		1
	12	F020195-43	NUT CLIP	M6	6
	13	A050023-41	HEX WASHER FACE BOLT	M6X1.0X16L	6
	14	F140008-15	AIR CLEANER COVER		1
	15	A050017-41	HEX WASHER FACE BOLT	M6X1.0X12L	4
	16	A050063-41	HEX WASHER FACE BOLT	M6X1.0X20L	2
	17	A110003-41	TORSION SPRING	Ø2	1
	18	F030022B42	CLAMP , SEAT		1
	19	F030021-42	BRACKET , CLAMP		1
	20	A130007-43	TAPPING SCREW	4X16L	1
	21	A220005-41	BAND,INTAKE DUCT	Ø60	2
	22	A050017-43	HEX WASHER FACE BOLT	M6X1.0X12L	2
	23	E130176-00	TUBE		1
	24	A220028-00	CLIP	Ø15.6X12X1.0t	1
	25	F140136-00	CLAMP,AIRCLEANER		2
	26	F140193-00	HEAT INSULATION PAD		1
	27	F140197-00	HEAT INSULATION PAD		1
	28	F140017-00	CORE,AIR CLEANER		1
	29	E130108-00	INTAKE DUCT		1
	30	A220020-41	CLIP		1

FORNT FRAME

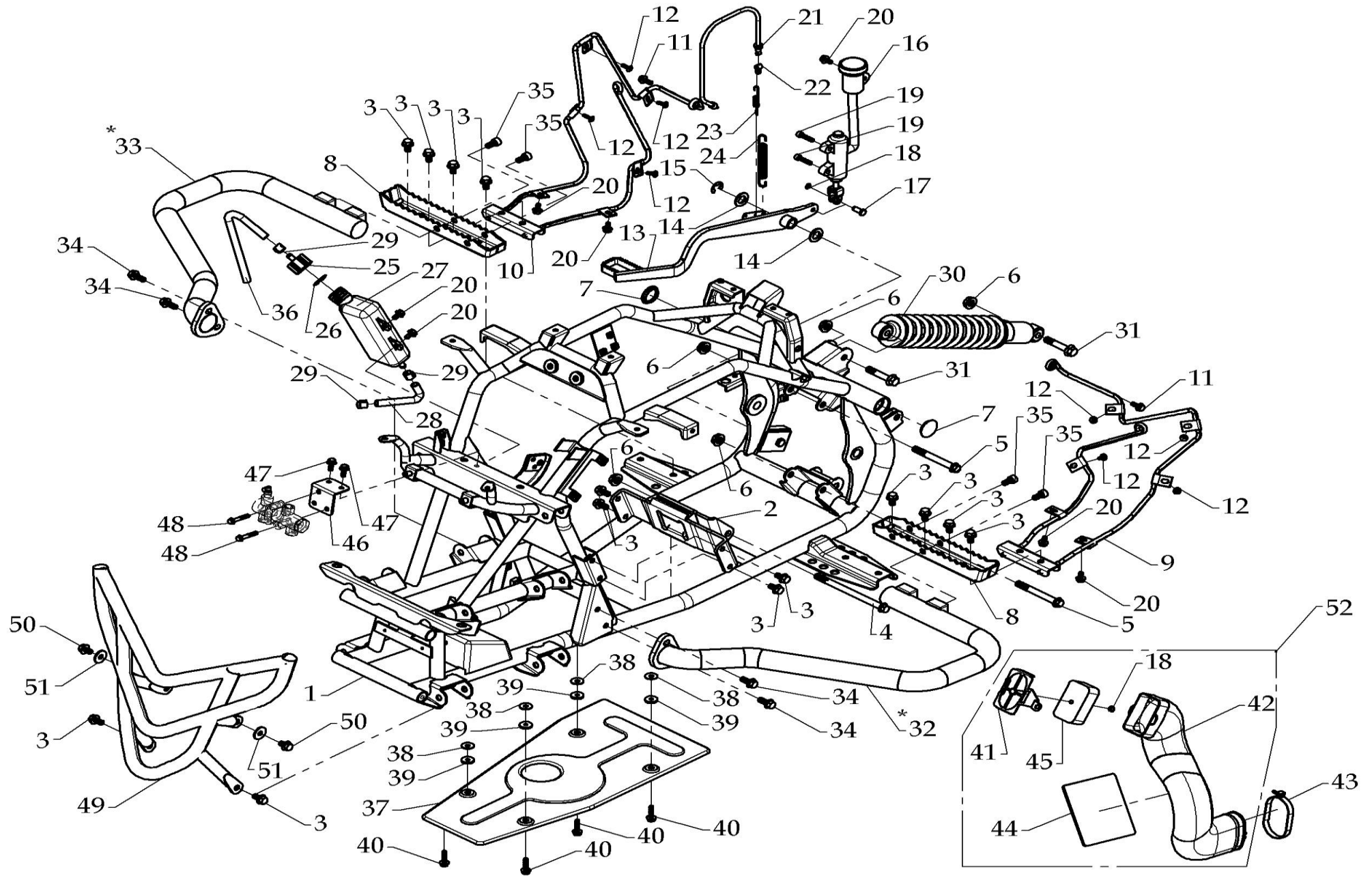


D1026-031G

FORNT FRAME

Model	Item	Part no	Description	Specification	Quantity
	01	F140011E48	FORNT FRAME		1
	02	F140296-50	ENGINE DAMPER		1
	03	A050057-41	HEX WASHER FACE BOLT	M8X1.25X15L	14
	04	A050202-41	HEX WASHER FACE BOLT	M10X1.25X142L	1
	05	A050206-41	HEX WASHER FACE BOLT	M10X1.25X85L	2
	06	A060007-41	INSERT LOCK NUT	M10X1.25	5
	07	F140149-00	PLUG		2
	08	F140032-48	BRACKET , FOOTBOARD		2
	09	F140014-50	LEFT BRACKET , FOOTREST		1
	10	F140015-50	RIGHT BRACKET , FOOTREST		1
	11	A050024-41	HEX WASHER FACE BOLT	M6X1.0X16L	2
	12	A130018-43	TAPPING SCREW	5mmX12L	8
	13	F140109A48	FOOT BRAKE PEDAL		1
	14	A080013-43	SPACER	Ø14.5XØ26X2t	2
	15	A100020-00	RETAINING RINGS E TYPE	Ø12	1
	16	F140113-00	OIL PRESSUER		1
	17	A070021-42	HEAD PIN	Ø7X15	1
	18	A100016-43	RETAINING RINGS E TYPE	Ø5	2
	19	A050029-43	HEX WASHER FACE BOLT	M6X1.0X25L	2
	20	A050017-41	HEX WASHER FACE BOLT	M6X1.0X12L	7
	21	F140188A00	WIRE		1
	22	F140203-00	CONNECTOR		1
	23	A110040-43	SPRING		1
	24	A110037A43	SPRING		1
	25	F140087-15	CAP WATER TANK		1
	26	F140223-00	WATER TANK RUBBER		1
	27	F140080-00	WATER TANK		1
	28	F140163-00	WATER TANK,TUBE A		1

FORNT FRAME

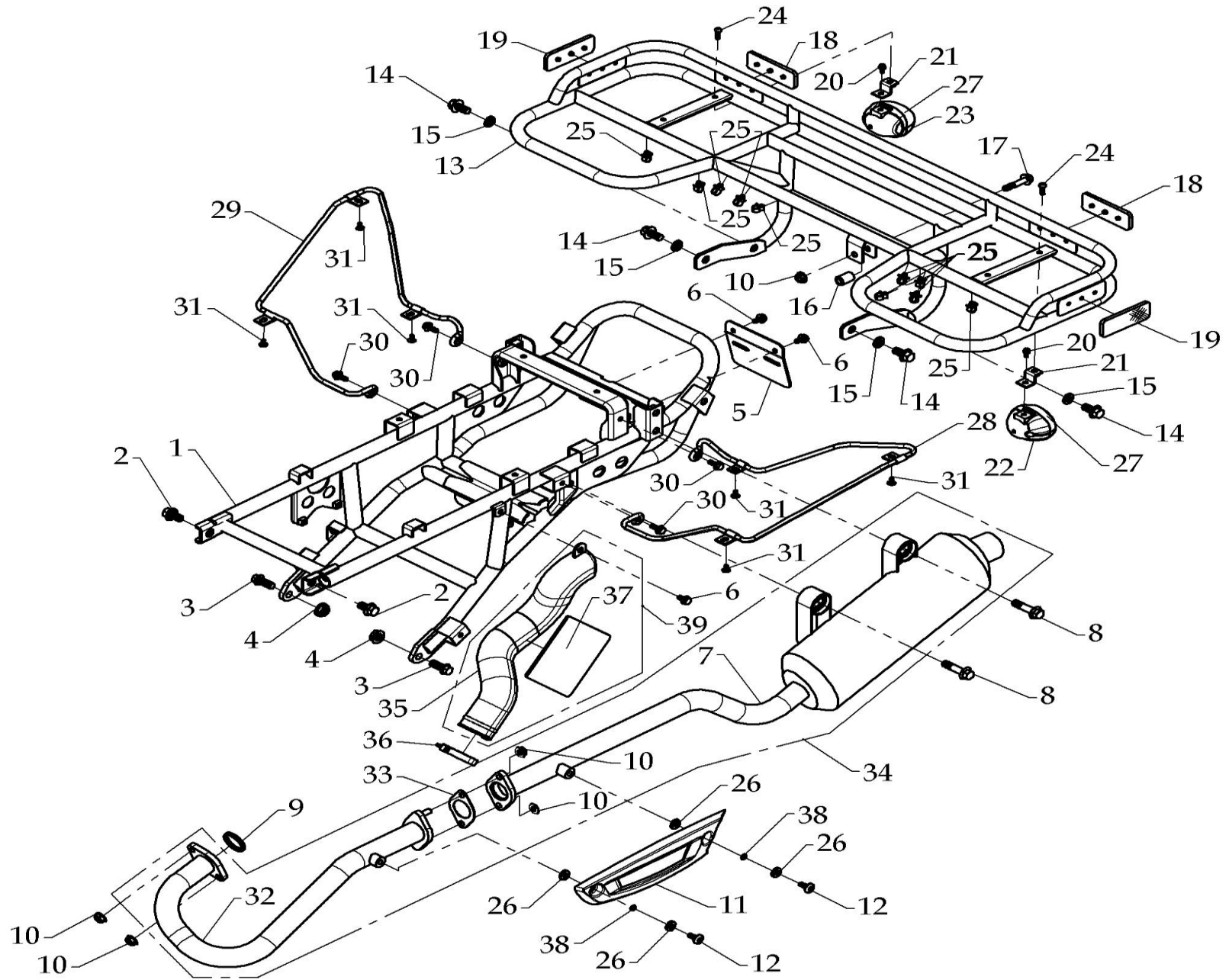


D1026-031G

FORNT FRAME

Model	Item	Part no	Description	Specification	Quantity
	30	A220010-00	CLIP	Ø11X8X0.7t	3
	30	F140279-00	REAR SUSPENSION		1
	31	A050213-41	HEX WASHER FACE BOLT	M10X1.25X50L-8T	2
	32	F140218-48	BRAKET,LEFT FOOT PROTECT		1
	*	F140184	BRAKET,LEFT FOOT PROTECT	ALUMINUM	1
	33	F140219-48	BRAKET,RIGHT FOOT PROTECT		1
	*	F140185	BRAKET,RIGHT FOOT PROTECT	ALUMINUM	1
	34	A050084-41	HEX WASHER FACE BOLT	M8X1.25X20L	4
	35	A050111-41	BOLT, SOCKET	M8X1.25X16L	4
	36	A220016-00	TUBE	Ø7XØ11X550L	1
	37	F140220-50	ENGINE PROTECTION COVER		1
	38	A080026-41	SPACER	Ø6.5XØ19X1.2	4
	39	A080102-00	SPACER		4
	40	A050077-43	HEX WASHER FACE BOLT	M6X1.0X25L	4
	41	F140242-50	CVT INTAKE, BRACKET		1
	42	F140241-00	CVT INTAKE		1
	43	E020184-44	BIND RING		1
	44	F180048-00	HEAT INSULATION PAD	115x115	1
	45	F140243-00	AIR CLEANER		1
	46	F180042-50	PUMP BRACKET		1
	47	A050024-41	HEX WASHER FACE BOLT	M6X1.0X16L	2
	48	A050139-41	HEX BOLT	M6X1.0X35L	2
	49	F140013-54	BUMPER		1
	50	A050020-41	HEX WASHER FACE BOLT	M8X1.25X12L	2
	51	A080059-41	SPACER	Ø8.4XØ24X2t	2
	52	F140292-00	CVT INTAKE ASSY.		1

REAR FRAME(E-MARK)

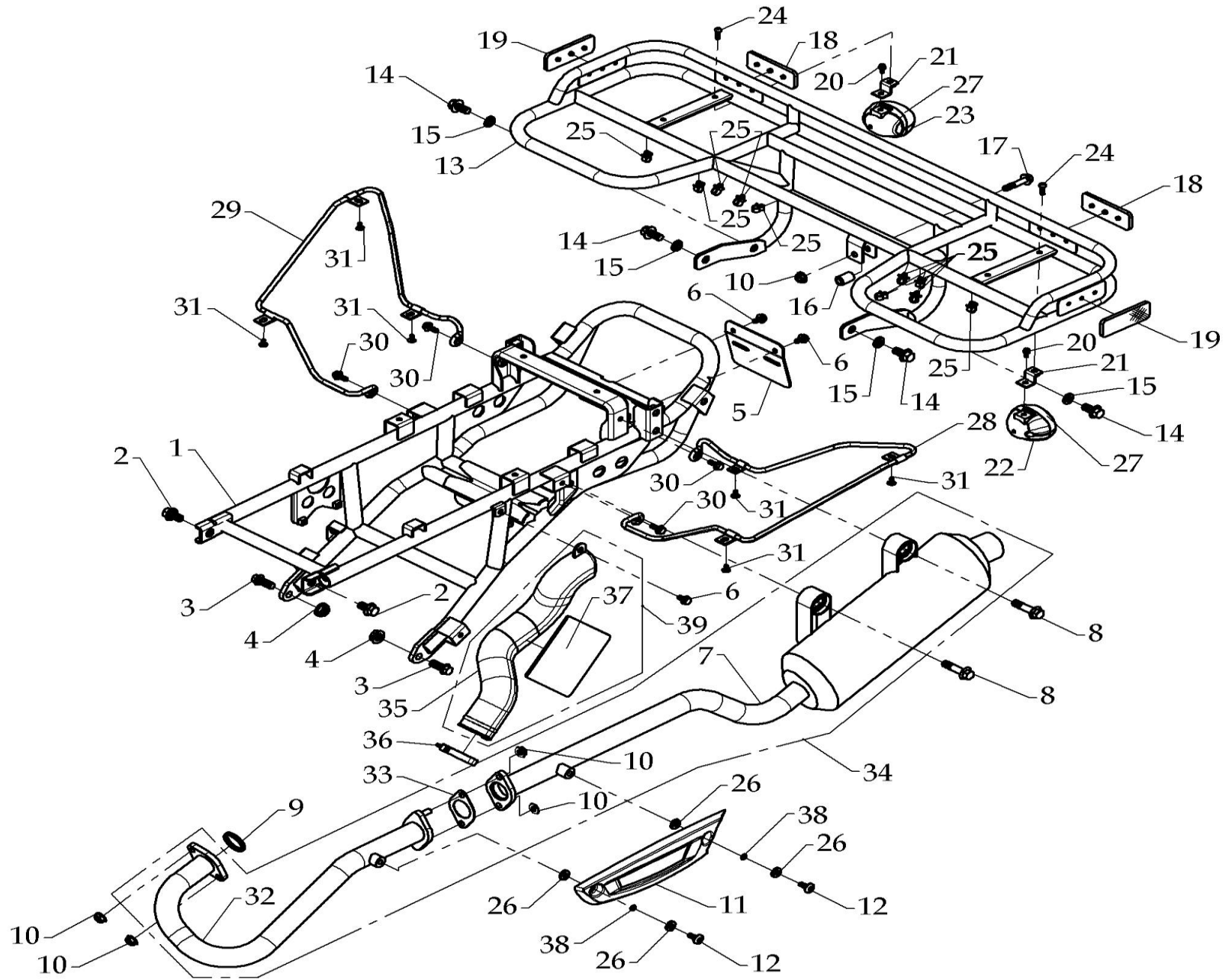


D1026-041G

REAR FRAME(E-MARK)

Model	Item	Part no	Description	Specification	Quantity
	01	F140270-48	REAR FRAME		1
	02	A050192-41	POSITION,BOLT	M10X1.25X18L	2
	03	A050201-41	HEX WASHER FACE BOLT	M10X1.25X25L	2
	04	A060007-41	INSERT LOCK NUT	M10X1.25	2
	05	F140112-50	BRACKET,NUMBER PLATE		1
	06	A050017-41	HEX WASHER FACE BOLT	M6X1.0X12L	3
	07	F140221A00	EXHAUST SILENCER		1
	08	A050001-41	HEX WASHER FACE BOLT	M10X1.25X40L	2
	09	A080100-00	GASKET		1
	10	A060014-41	INSERT LOCK NUT	M8X1.25	5
	11	F140010-01	MUFFLER COVER		1
	*	F140245-00	MUFFLER COVER		1
	12	A050233-00	MUFFLER COVER, BOLT	M6X1.0X16L	2
	13	F140114A48	RACK	REAR SIDE	1
	14	A050224-41	HEX WASHER FACE BOLT	M10X1.25X20L	4
	15	A080009-41	SPRING WASHER	Ø10.2X3.7X2.5t	4
	16	F040031-41	COLLAR	Ø8.5XØ15X22.5L	1
	17	A050014-41	HEX WASHER FACE BOLT	M8X1.25X40L	1
	18	F020265-00	REFLECTOR	RED	2
	19	F020266-00	REFLECTOR	YELLOW	2
	20	A050095-41	PAN HEAD BOLT	M5X0.8X12L	2
	21	F020552-50	BRACKET,DIRECTIONAL		2
	22	A180044-00	DIRECTIONAL LIGHT	LEFT SIDE	1
	23	A180045-00	DIRECTIONAL LIGHT	RIGHT SIDE	1
	24	A050156-43	PAN HEAD BOLT	M6X1.0X16L	2
	25	F020578-15	CLIP		10
	26	A080108-00	HEAT INSULATION WASHER	Ø7.8XØ16X3t	4
	27	A180051-00	BULB	12V/10W(E-Mark)	2

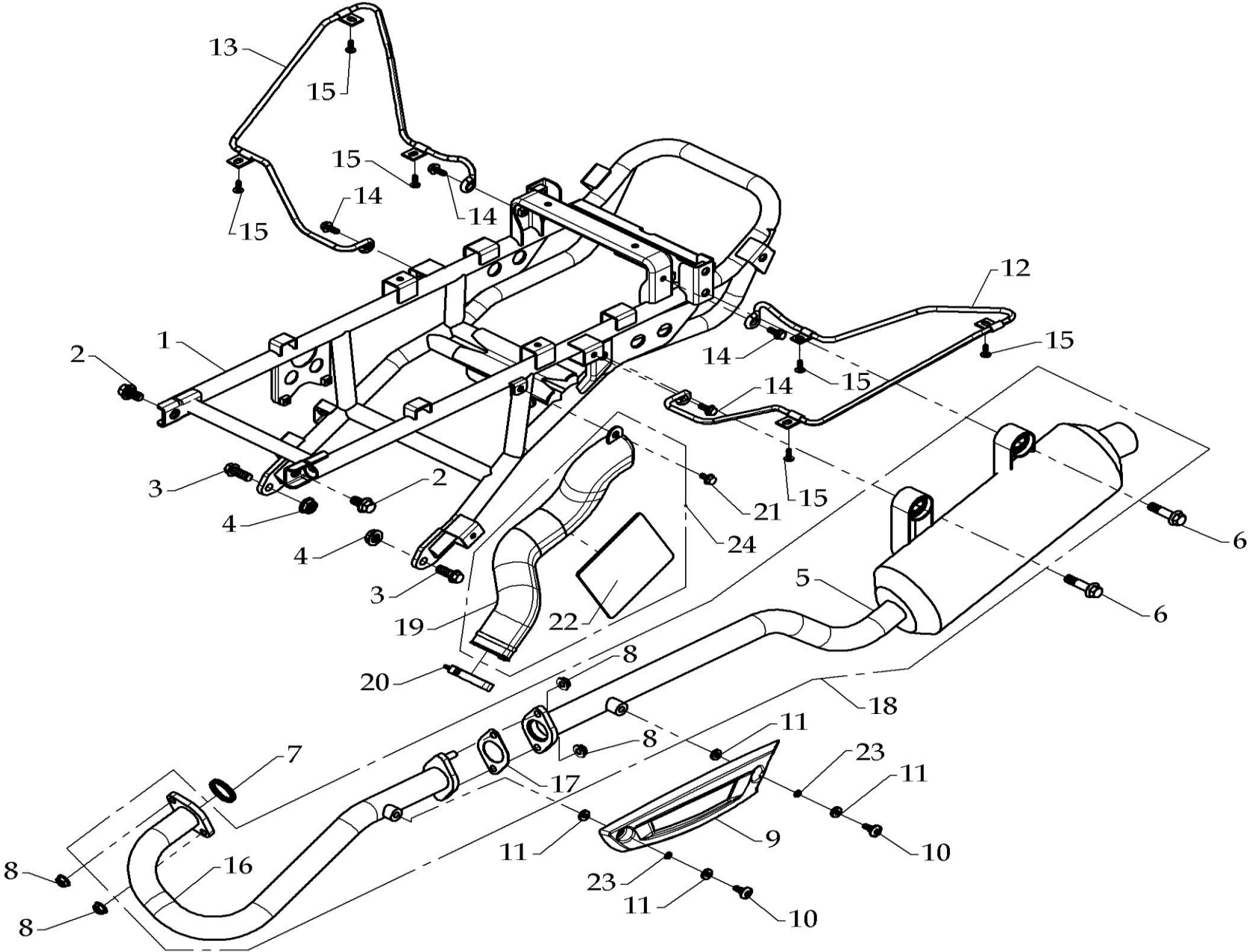
REAR FRAME(E-MARK)



REAR FRAME(E-MARK)

Model	Item	Part no	Description	Specification	Quantity
	28	F140103-50	BRACKET,REAR FENDER	LEFT SIDE	1
	29	F140104-50	BRACKET,REAR FENDER	RIGHT SIDE	1
	30	A050024-41	HEX WASHER FACE BOLT	M6X1.0X16L	4
	31	A130021-43	TAPPING SCREW	5X12L	6
350	32	F180049-00	EXHAUST HEADER PIPE		1
270	*	F180030-00	EXHAUST HEADER PIPE		1
	33	F180031-00	GASKET , MUFFLER		1
350	34	F140267-00	EXHAUST ASSY.		1
270	*	F140222-00	EXHAUST ASSY.		1
270	*	F140150-00	EXHAUST ASSY.		1
	35	F140240-00	CVT OUTTAKE		1
	36	E130121-43	BIND RING		1
	37	F180048-00	HEAT INSULATION PAD	115x115	1
	38	A040042-00	O-RING	P6-Ø1.9XØ5.8	2
	39	F140293-00	CVT OUTTAKE ASSY.		1

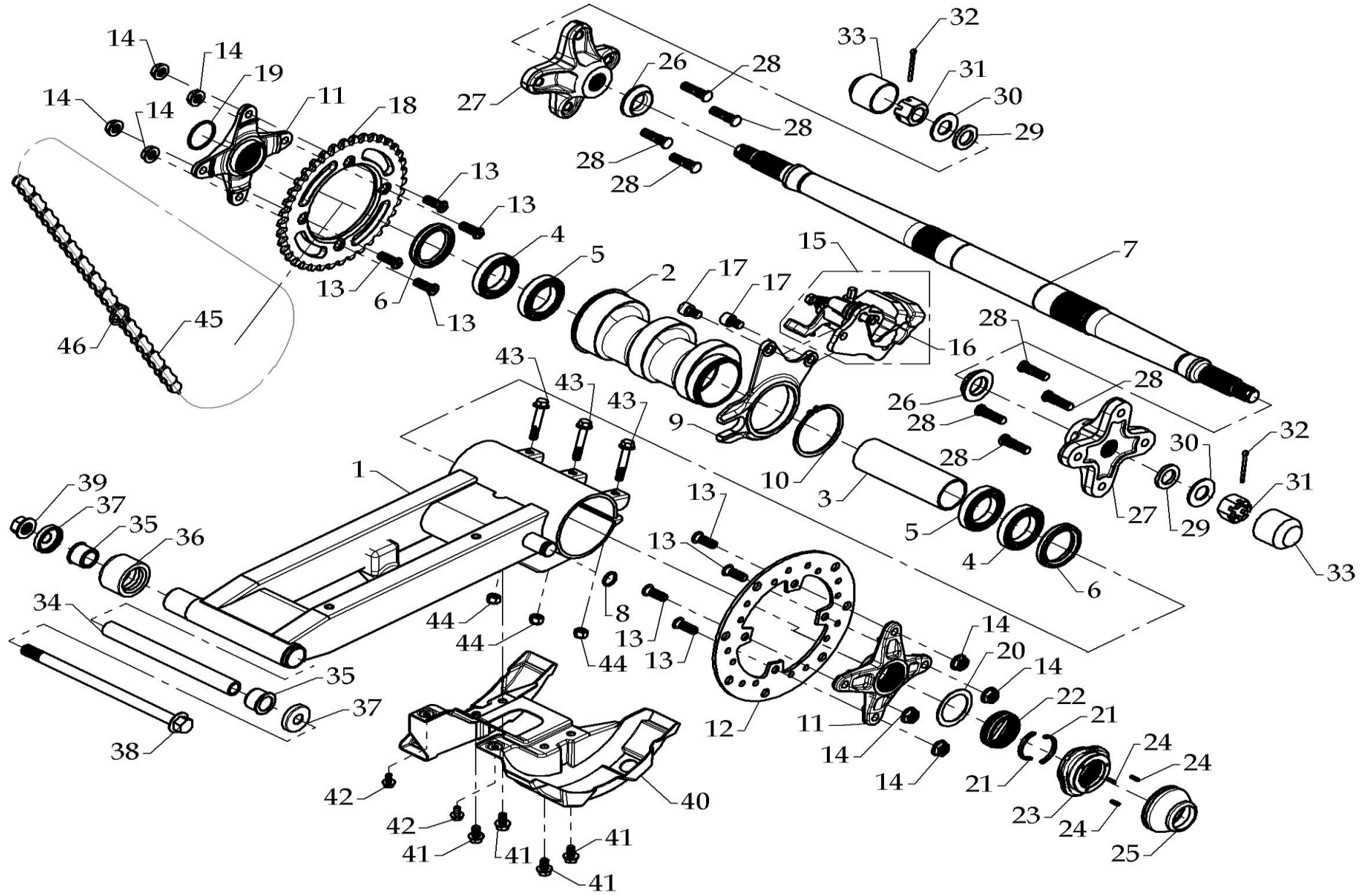
REAR FRAME



REAR FRAME

Model	Item	Part no	Description	Specification	Quantity
	01	F140270-48	REAR FRAME		1
	02	A050192-41	POSITION,BOLT	M10X1.25X18L	2
	03	A050201-41	HEX WASHER FACE BOLT	M10X1.25X25L	2
	04	A060007-41	INSERT LOCK NUT	M10X1.25	2
	05	F140221A00	EXHAUST SILENCER		1
	06	A050001-41	HEX WASHER FACE BOLT	M10X1.25X40L	2
	07	A080100-00	GASKET		1
	08	A060014-41	INSERT LOCK NUT	M8X1.25	4
	09	F140010-01	MUFFLER COVER		1
	*	F140245-00	MUFFLER COVER		1
	10	A050233-00	MUFFLER COVER, BOLT	M6X1.0X16L	2
	11	A080108-00	HEAT INSULATION WASHER	Ø7.8XØ16X3t	4
	12	F140103-50	BRACKET,REAR FENDER	LEFT SIDE	1
	13	F140104-50	BRACKET,REAR FENDER	RIGHT SIDE	1
	14	A050024-41	HEX WASHER FACE BOLT	M6X1.0X16L	4
	15	A130005-43	TAPPING SCREW	5X12L	6
350	16	F180049-00	EXHAUST HEADER PIPE		1
270	*	F180030-00	EXHAUST HEADER PIPE		1
	17	F180031-00	GASKET , MUFFLER		1
350	18	F140267-00	EXHAUST ASSY.		1
270	*	F140222-00	EXHAUST ASSY.		1
270	*	F140150-00	EXHAUST ASSY.		1
	19	F140240-00	CVT TUYERE		1
	20	E130121-43	BIND RING		1
	21	A050017-41	HEX WASHER FACE BOLT	M6X1.0X12L	1
	22	F180048-00	HEAT INSULATION PAD	115x115	1
	23	A040042-00	O-RING	P6-Ø1.9XØ5.8	2
	24	F140293-00	CVT OUTTAKE ASSY.		1

SWING ARM SUB ASS'Y

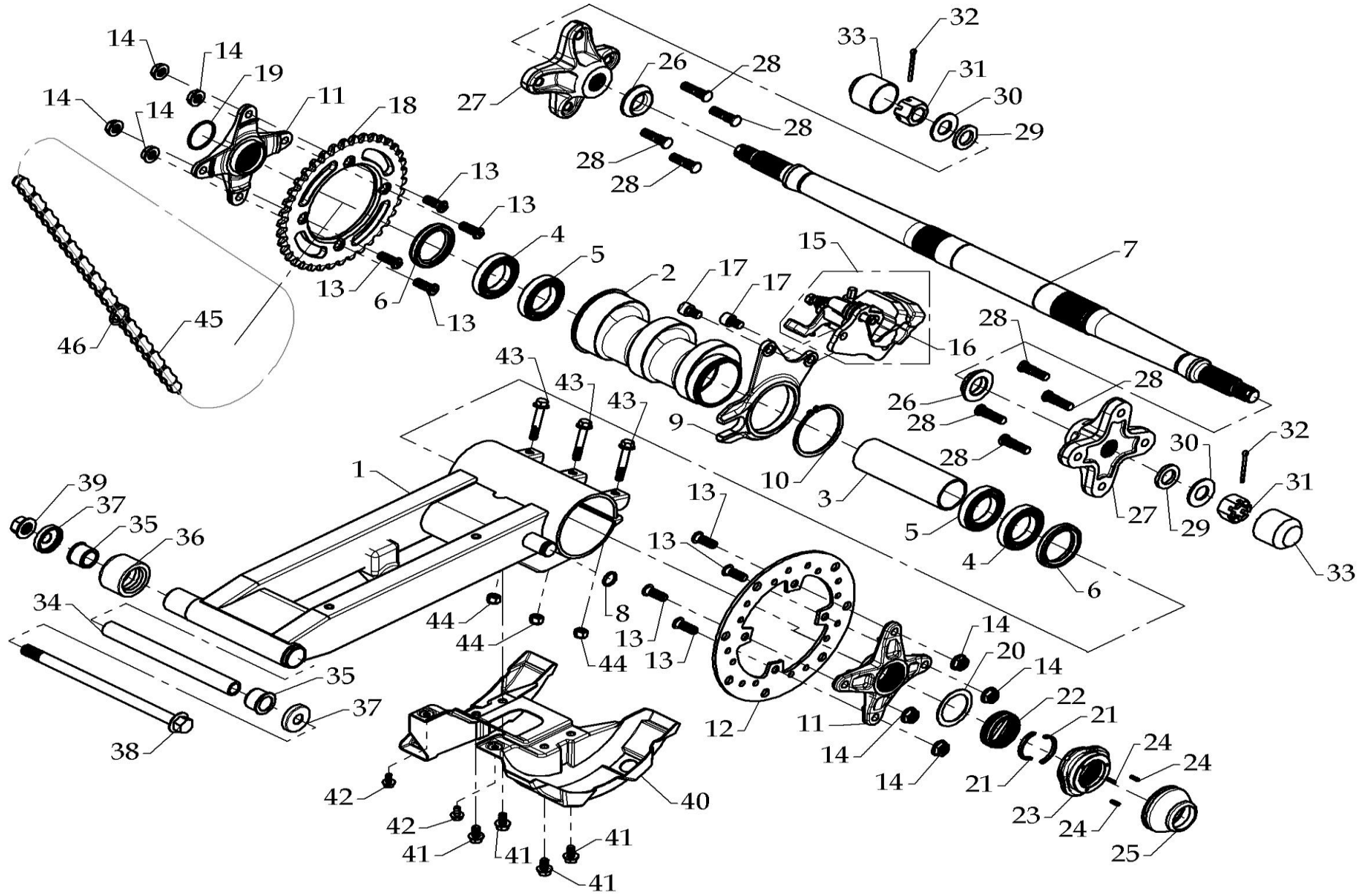


D1026-061D

SWING ARM SUB ASS'Y

Model	Item	Part no	Description	Specification	Quantity
	01	F140212A48	SWING ARM SUB ASSEMBLY		1
	02	F140144-00	POSITIONER COLLAR		1
	03	F150025-41	SPACER TUBE	Ø40.3XØ45X133.7L	1
	04	A010051-04	BEARING,RADIAL BALL	6908LLU,Ø40XØ62X1	2
	05	A010051-02	BEARING,RADIAL BALL	6908ZZ,Ø40XØ62X12	2
	06	A030031-00	OIL SEAL	TC62X48X9t	2
	07	F140120-00	REAR AXLE		1
	08	A040030-00	O-RING	P16	1
	09	F140234-44	OIL PRESSUER BRAKE		1
	10	A100022-43	C TYPE INTERNAL CIRCLIP	Ø79.5XØ64X2.5t	1
	11	F150030-44	HOLDER,BRAKE&SPROCKET		2
	12	F150039-01	DISC,BRAKE	Ø220	1
	13	A050203A41	HEX SOCKET BOLT	M10X1.25X26L	8
	14	A060007-41	INSERT LOCK NUT	M10X1.25	8
	15	F140237-00	OIL PRESSUER BRAKE		1
	16	F140239-00	PAD ,DISK BRAKE		1
	17	A050216-41	HEX SOCKET BOLT	M10X1.25X15L-8T	2
	18	A170009A50	SPROCKET	38T	1
	19	A100026-41	SPROCKET,ORIENTATION RING		1
	20	F150038-41	WASHER	Ø40XØ59X1t	1
	21	F150036-43	POSITION RING		2
	22	F150037-44	POSITION BOLT		1
	23	F150035-44	POSITION NUT		1
	24	F150034-43	HEXAGON SOCKET BOLT	M4X0.7X12L	3
	25	F150033-00	DUST COVER		1
	26	F150032-44	COLLAR		2
	27	F150006-53	SHAFT CONNECTER		2
	28	A050208-41	INSERT BOLT	M10X1.25X40L	8

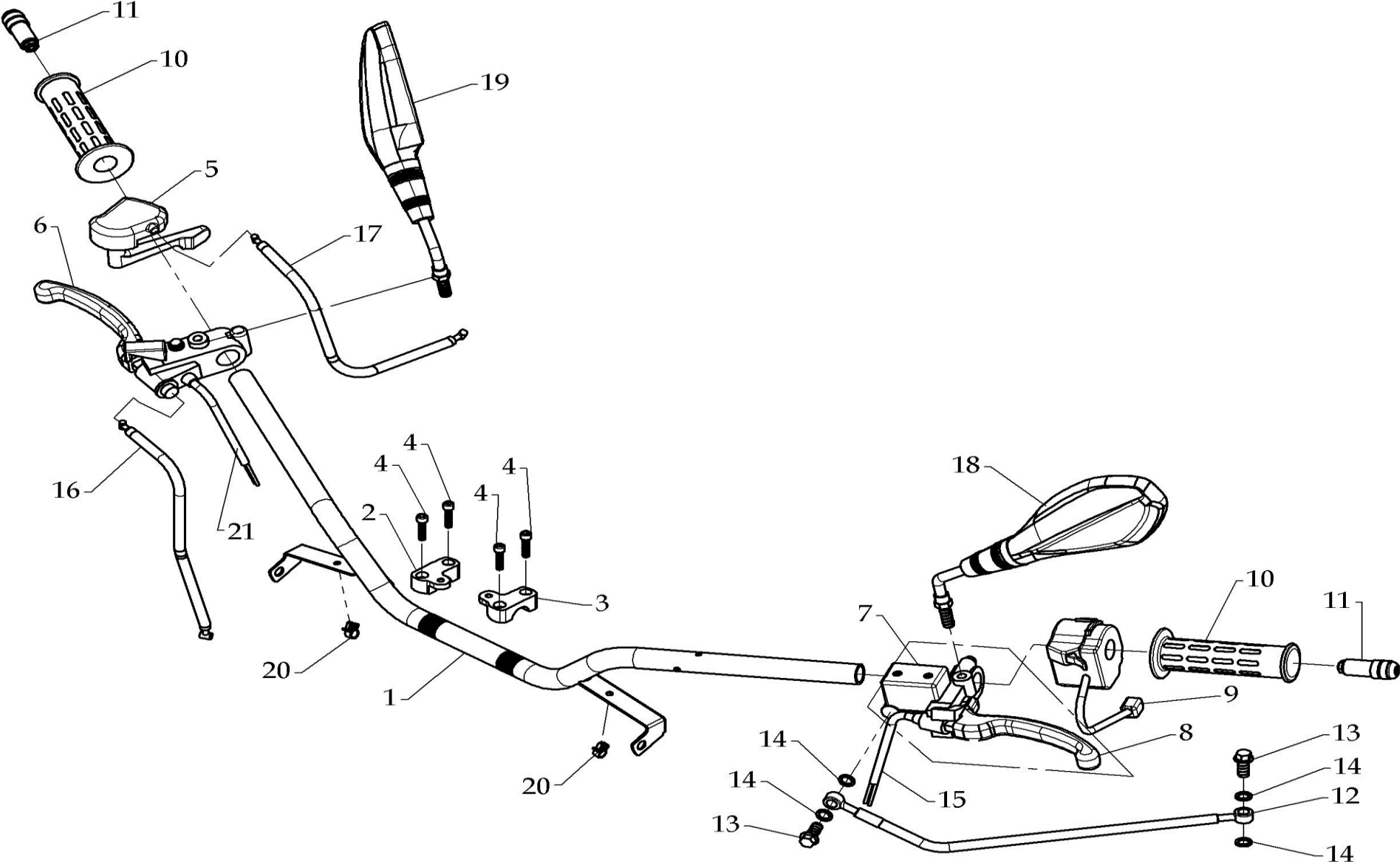
SWING ARM SUB ASS'Y



SWING ARM SUB ASS'Y

Model	Item	Part no	Description	Specification	Quantity
	29	A080091-41	SPACER	Ø21XØ34X4.0t	2
	30	A080092-41	SPACER	Ø20.2XØ40X2.5t	2
	31	A060058-42	HEX SLOTTED&CASTLE NUTS	M20X1.5	2
	32	A070031-41	PIN	Ø3.5X45L	2
	33	F020153-00	RUBBER CAP		2
	34	F140089-00	SPACER TUBE	Ø14.1XØ20X198.6L	1
	35	F020474-00	BUSH		2
	36	F140180-00	CHAIN GUIDE		1
	37	F020030-00	SEAL, COVER		2
	38	A050194-41	HEX WASHER FACE BOLT	M14X1.5X242L	1
	39	A060006-41	INSERT LOCK NUT	M14X1.5	1
	40	F140173-00	SPROCKET,PROTEC COVER		1
	41	A050057-41	HEX WASHER FACE BOLT	M8X1.25X15L	4
	42	A050017-43	HEX WASHER FACE BOLT	M6X1.0X12L	2
	43	A050217-44	HEX WASHER FACE BOLT	M8X1.25X50L-6.8T	3
	44	A060050-41	HEX INSERT LOCK NUT	M8X1.25	3
	45	F140148A00	CHAIN	530X98LINK.	1
	46	F140148-01	CHAIN CONNECTOR	530	1

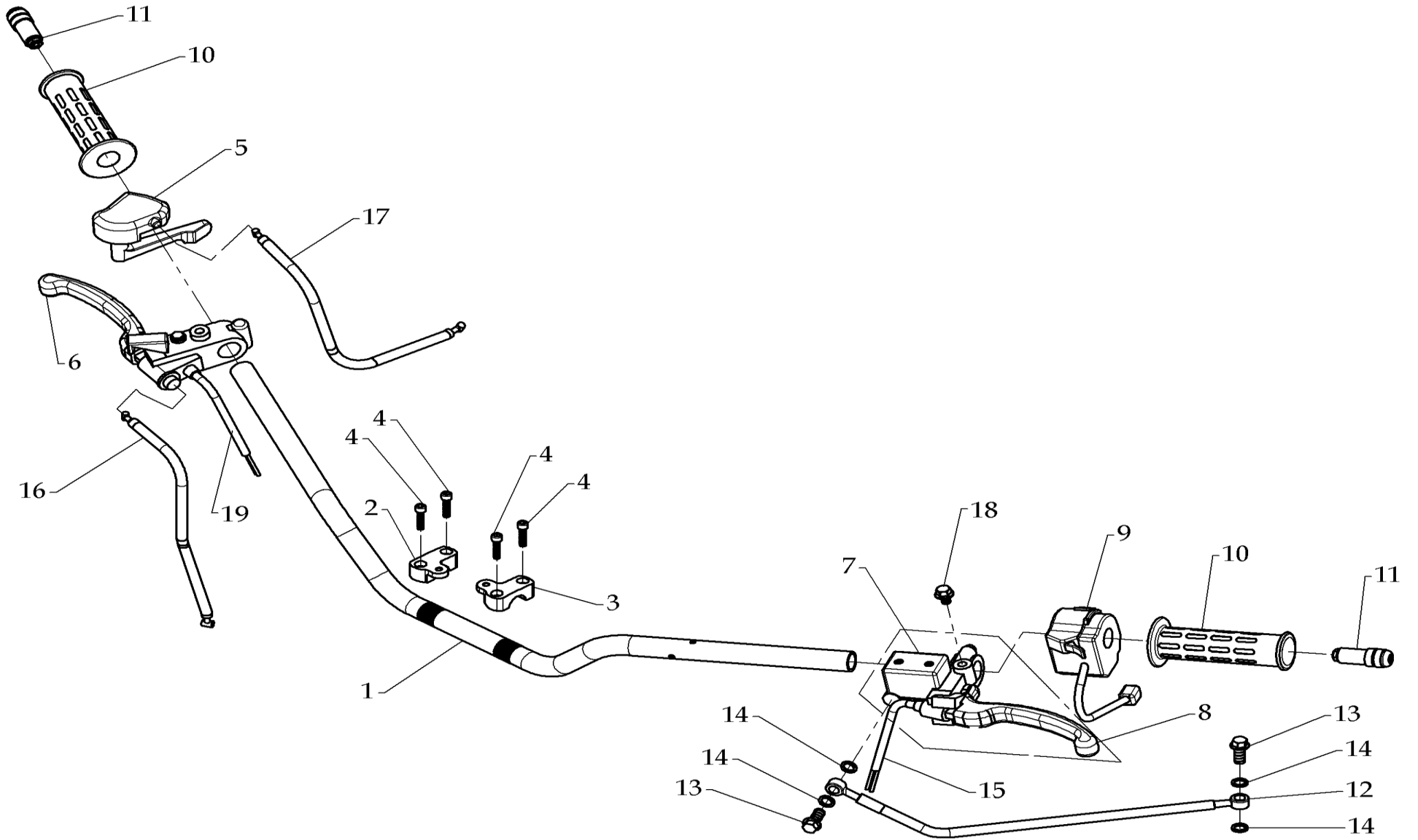
HANDLEBAR(E-MARK)



HANDLEBAR(E-MARK)

Model	Item	Part no	Description	Specification	Quantity
	01	F140018A48	HANDLEBAR		1
	02	F020117-00	HANDLEBAR BRACKET	RIGHT SIDE	1
	03	F020118-00	HANDLEBAR BRACKET	LEFT SIDE	1
	04	A050029-43	HEX SOCKET SCREW	M6X1.0X25L	4
	05	F150062-00	THROTTLE		1
	06	A190085-00	RIGHT LEVER ASSEMBLY		1
	07	A190086A00	LEFT LEVER ASSEMBLY	Ø14	1
	08	F020268-00	MANUAL LEVER		1
	09	A190066A00	LEFT SWITCH ASSEMBLY		1
	10	F140130-00	HANDLE GRIP		2
	11	F140128-00	BALANCE,LEVER ASSEMBLY		2
	12	F180044-01	OIL TUBE		1
	13	A050009-44	HEX WASHER FACE BOLT	M10X1.25X22L	2
	14	A080011-00	SPACER	Ø10.3XØ15X1.5t	4
	15	A190029-00	LIMIT SWITCH		1
	16	F180045-00	BRAKE CABLE		1
	17	F140127-00	WIRE		1
	18	A160009-00	BACK MIRROR	LEFT SIDE	1
	19	A160010-00	BACK MIRROR	RIGHT SIDE	1
	20	F020578-15	CLIP		2
	21	A190093-00	LIMIT SWITCH		1

HANDLEBAR

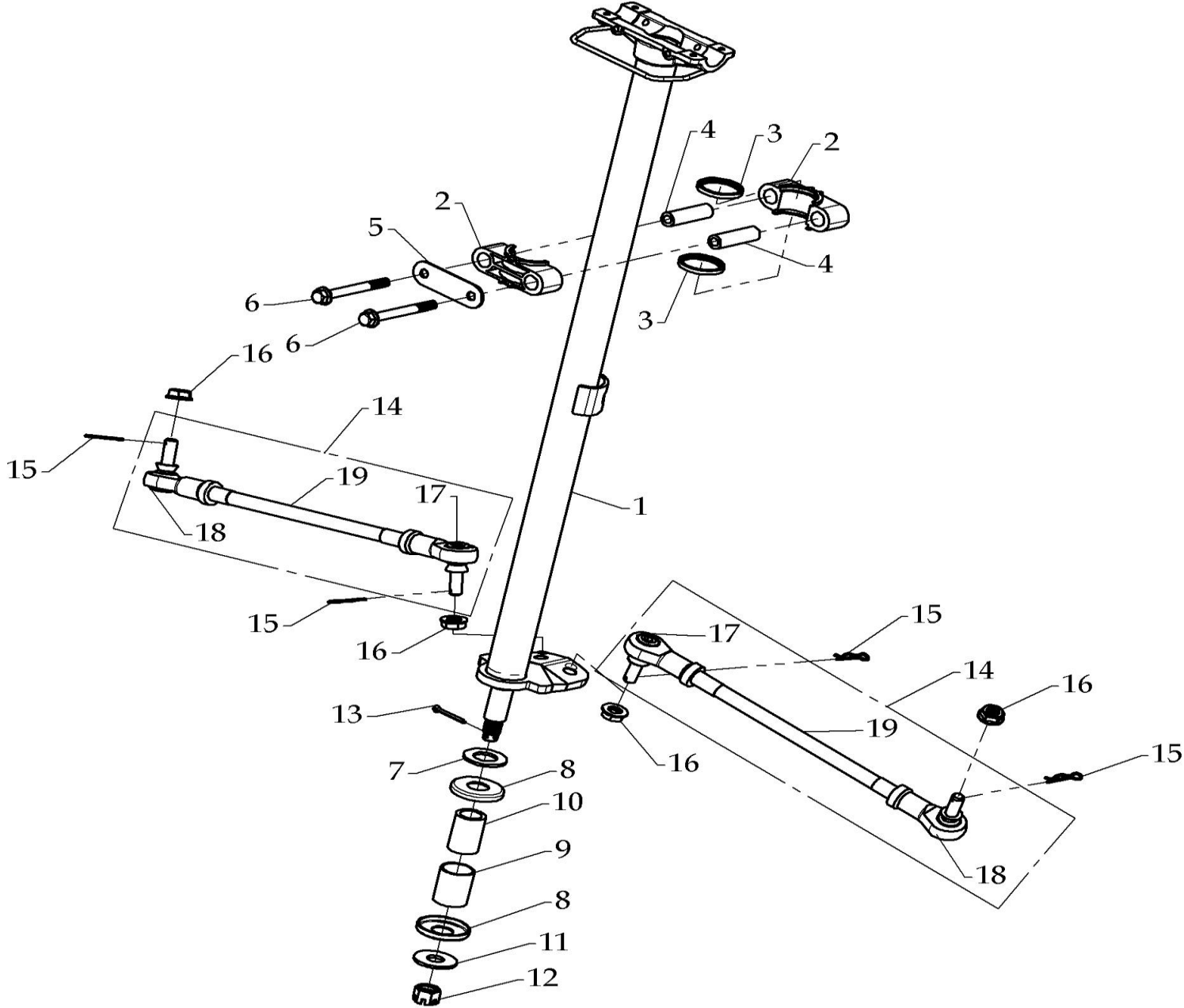


D1026-081B

HANDLEBAR

Model	Item	Part no	Description	Specification	Quantity
	01	F140191A00	HANDLEBAR		1
	02	F020117-00	HANDLEBAR BRACKET	RIGHT SIDE	1
	03	F020118-00	HANDLEBAR BRACKET	LEFT SIDE	1
	04	A050029-43	HEX SOCKET SCREW	M6X1.0X25L	4
	05	F150062-00	THROTTLE		1
	06	A190085-00	RIGHT LEVER ASSEMBLY		1
	07	A190086A00	LEFT LEVER ASSEMBLY	Ø14	1
	08	F020268-00	MANUAL LEVER		1
	09	A190072A00	LEFT SWITCH ASSEMBLY		1
	10	F140130-00	HANDLE GRIP		2
	11	F140128-00	BALANCE,LEVER ASSEMBLY		2
	12	F180044-01	OIL TUBE		1
	13	A050009-44	HEX WASHER FACE BOLT	M10X1.25X22L	2
	14	A080011-00	SPACER	Ø10.3XØ15X1.5t	4
	15	A190029-00	LIMIT SWITCH		1
	16	F180045-00	BRAKE CABLE		1
	17	F140127-00	WIRE		1
	18	A050169-43	HEX WASHER FACE BOLT	M8X1.25X12L	1
	19	A190093-00	LIMIT SWITCH		1

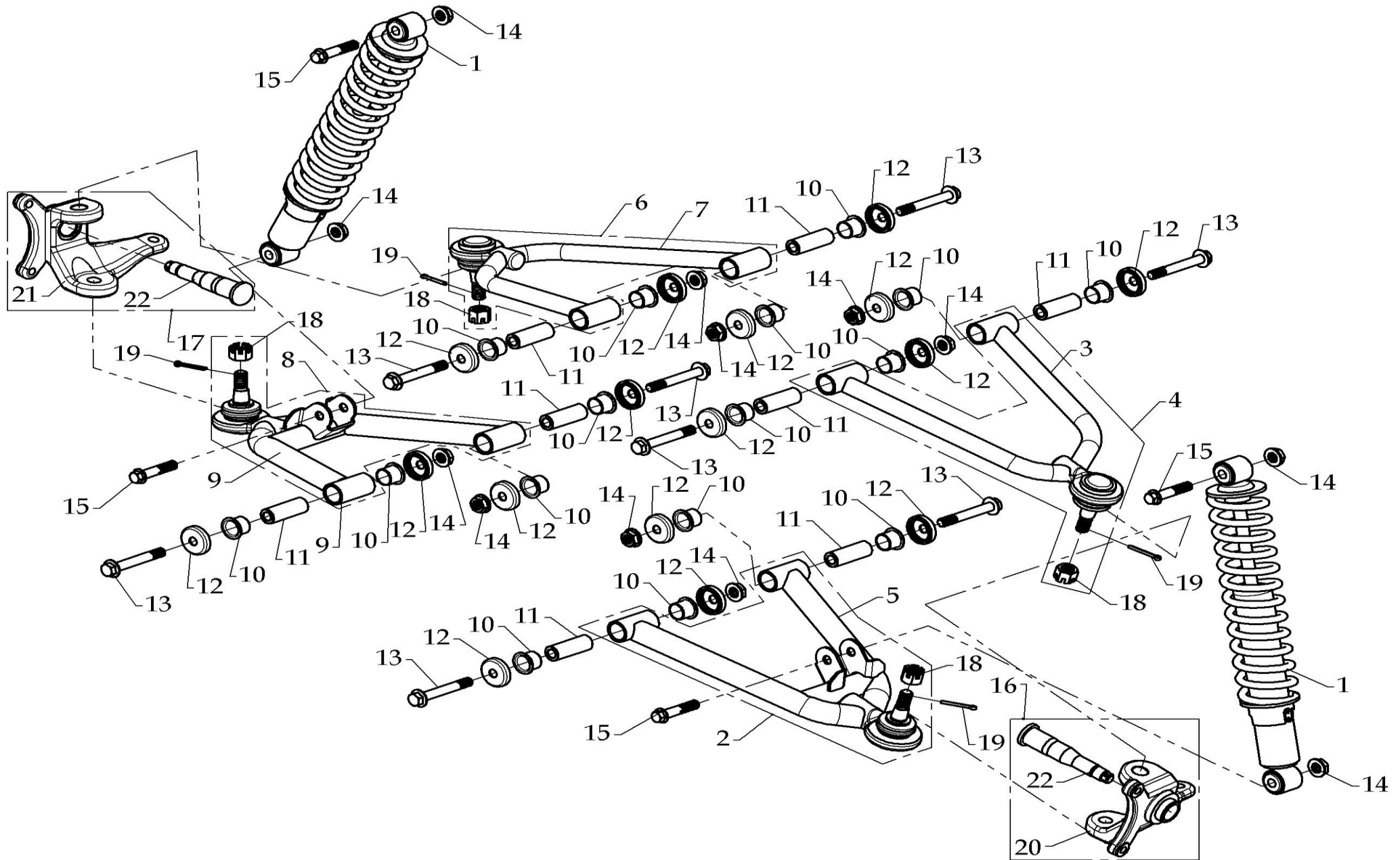
STEERING



STEERING

Model	Item	Part no	Description	Specification	Quantity
	01	F140024B48	STEERING SHAFT		1
	02	F140019-00	STEERING SHAFT BRACKET		2
	03	A030034-00	SEAL		2
	04	F140145-42	BUSH, STEERING SHAFT	Ø8.2XØ14X47L	2
	05	F140082-41	BRACKET		1
	06	A050199-41	HEX WASHER FACE BOLT	M8X1.25X75L	2
	07	A080088-41	SPACER	Ø20XØ36X2.5t	1
	08	F140142-00	SEAL, COVER	Ø18.1XØ35XØ44X6.2t	2
	09	A020007-00	BEARING,COLLAR	Ø25XØ28X35L	1
	10	F140033-00	COLLAR	Ø18XØ25X37.5L	1
	11	A080087-41	PLAIN WASHER	Ø14.5XØ36X2.5t	1
	12	A060026B42	HEX SLOTTED NUT	M14X1.5-II	1
	13	A070002-41	PIN	Ø3.2X32L	1
	14	F140254-00	STEERING TIE-ROD ASS'Y		2
	15	A070038-00	PIN	Ø1.8XØ10	4
	16	A060007-41	INSERT LOCK NUT	M10X1.25	4
	17		TIE-ROD CONNECTOR		2
	18		TIE-ROD CONNECTOR		2
	19		TIE-ROD		2

FRONT SUSPENSION

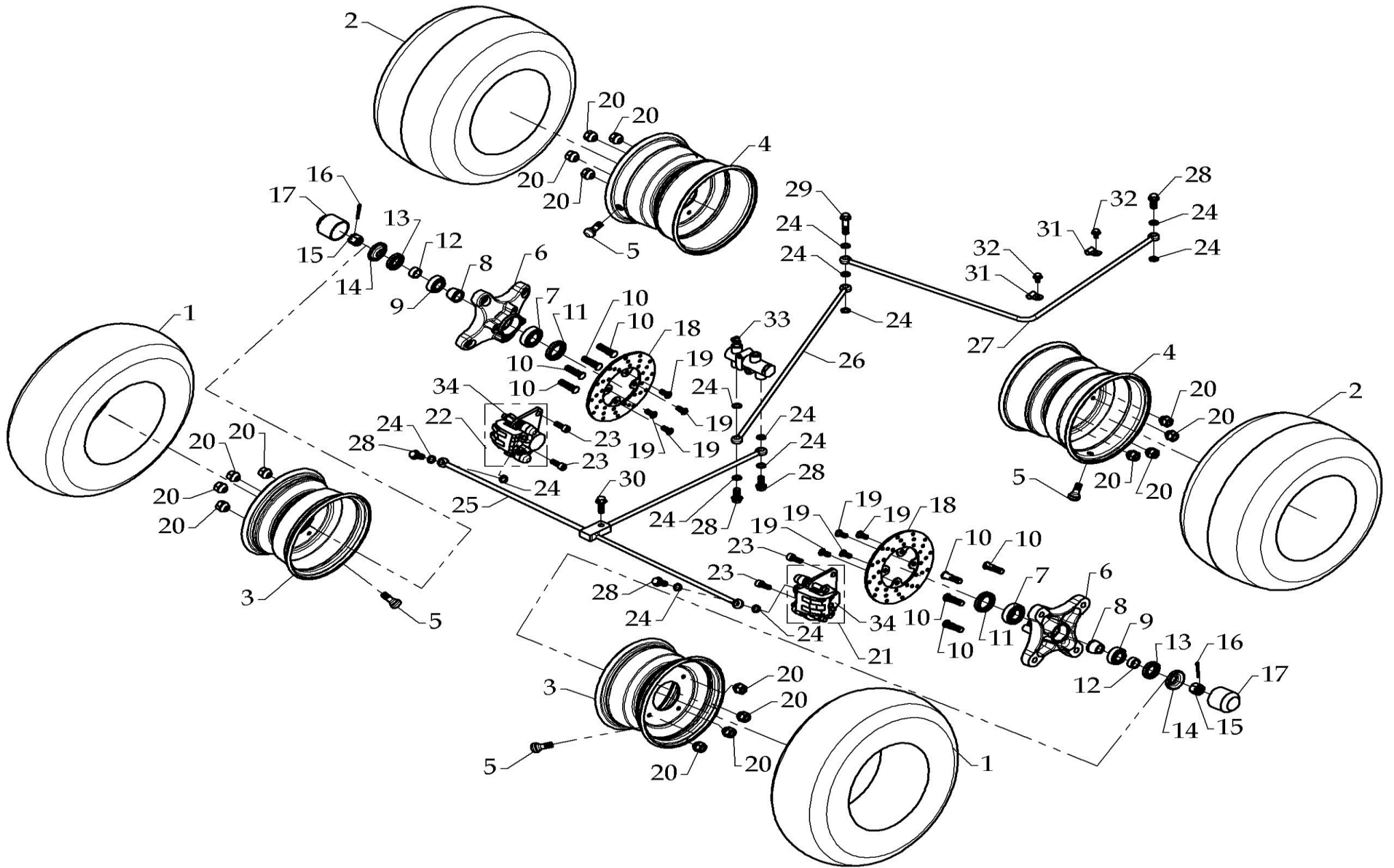


D1026-101A

FRONT SUSPENSIONE

Model	Item	Part no	Description	Specification	Quantity
	01	F180032-00	FRONT SUSPENSION		2
	02	F140152A48	UPPER,ARM ASSEMBLY	LEFT SIDE	1
	03	F140034A48	UPPER,ARM	LEFT SIDE	1
	04	F140153A48	SUSPENSION ARM ASSEMBLY	LEFT SIDE	1
	05	F140035A48	SUSPENSION ARM	LEFT SIDE	1
	06	F140154A48	UPPER,ARM ASSEMBLY	RIGHT SIDE	1
	07	F140036A48	UPPER,ARM	RIGHT SIDE	1
	08	F140155A48	SUSPENSION ARM ASSEMBLY	RIGHT SIDE	1
	09	F140037A48	SUSPENSION ARM	RIGHT SIDE	1
	10	A020005-00	BEARING,COLLAR	Ø18XØ20X15L	16
	11	F140041A00	COLLAR	Ø18XØ10.2X48.5L	8
	12	F090041-00	SEAL, COVER		16
	13	A050185-41	HEX WASHER FACE BOLT	M10X1.25X70L	8
	14	A060007-41	INSERT LOCK NUT	M10X1.25	12
	15	A050019-41	HEX WASHER FACE BOLT	M10X1.25X48L	4
	16	F150019A46	KNUCKLE, STEERING ASSEMBLY	LEFT SIDE	1
	17	F150020A46	KNUCKLE, STEERING ASSEMBLY	RIGHT SIDE	1
	18	A060068-41	HEX SLOTTED NUT	M12X1.25	4
	19	A070002-41	PIN	Ø3.2X32L	4
	20		KNUCKLE BASE	LEFT	1
	21		KNUCKLE BASE	RIGHT	1
	22		KNUCKLE SPINDLE		2

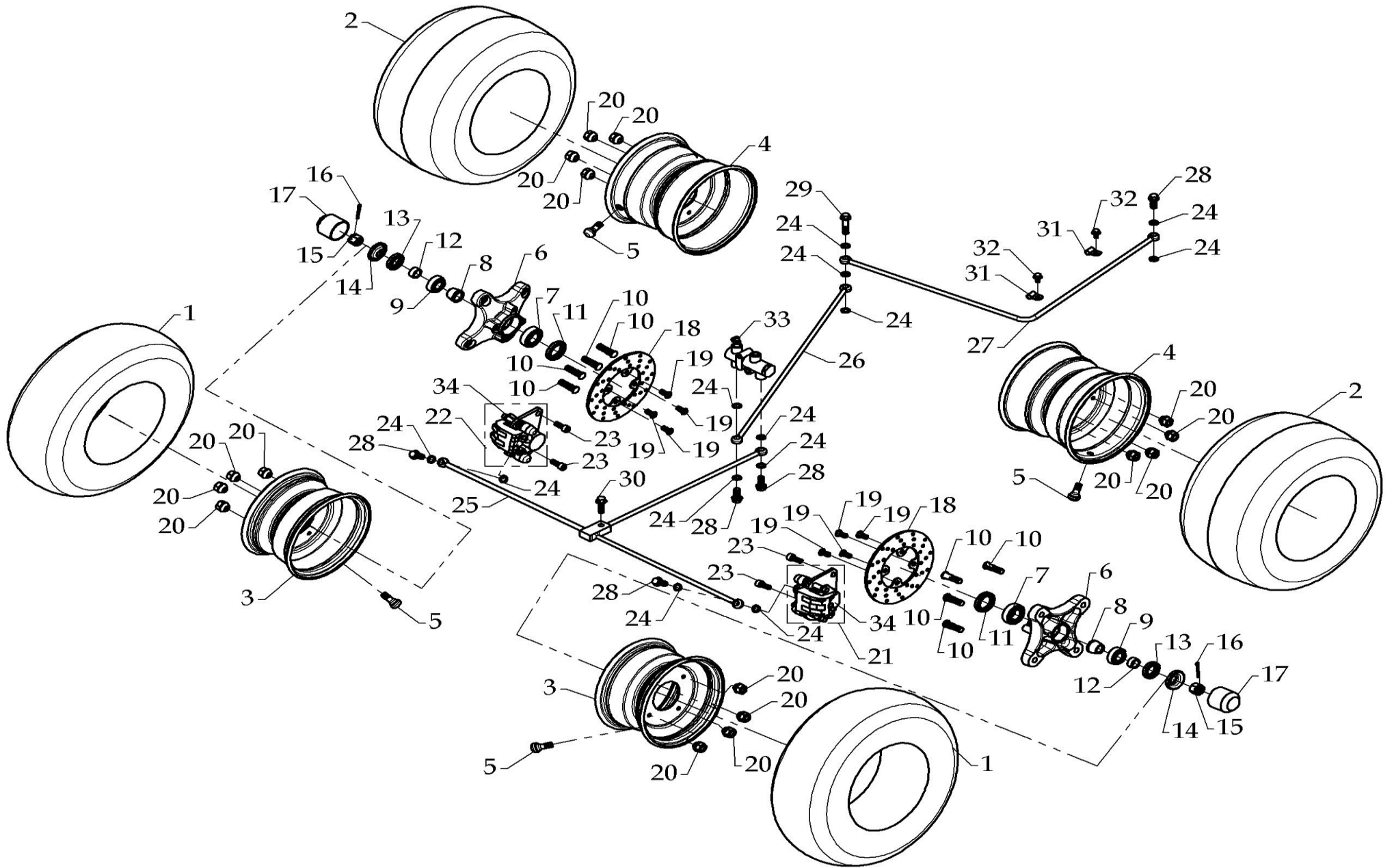
WHEEL



WHEEL

Model	Item	Part no	Description	Specification	Quantity
	01	F150008-02	FRONT TIRE	21X7-10"	2
	02	F150009-02	REAR TIRE	20X11-9"	2
	03	F150001-49	FRONT WHEEL RIM	10X5.5"	2
	04	F150002-49	REAR WHEEL RIM	9X8.5"	2
	05	F020154-00	RIM VALVE		4
	06	F150005A53	SHAFT CONNECTER	RED	2
	07	A010025-04	BEARING,RADIAL BALL	6004LLU	2
	08	F150004-41	BUSH, STEERING SHAFT		2
	09	A010021-04	BEARING,RADIAL BALL	6202LLU	2
	10	A050208-41	INSERT BOLT	M10X1.25X35L	8
	11	A030029-00	OIL SEAL	TC28X42X7t	2
	12	A090027-45	BUSH, STEERING SHAFT	Ø15XØ20X10.5L	2
	13	A030016-00	OIL SEAL	TC20X35X7t	2
	14	F020478-42	RUBBER CAP BRACKET		2
	15	A060004-42	HEX SLOTTED NUT	M14X1.5-II	2
	16	A070002-41	PIN	Ø3.2X32L	2
	17	F020153-00	RUBBER CAP		2
	18	F150003A00	DISC,BRAKE	Ø160	2
	19	A050183-41	POSITION,BOLT	M8X1.25X17L	8
	20	A060061-41	NUT	M10X1.25	16
	21	F150010-00	OIL PRESSUER BRAKE	LEFT SIDE	1
	22	F150011-00	OIL PRESSUER BRAKE	RIGHT SIDE	1
	23	A050197-41	BOLT, SOCKET	M8X1.25X21L	4
	24	A080011-00	SPACER	Ø10.3XØ15X1.5t	13
	25	F180043-01	OIL TUBE		1
	26	F180046-01	OIL TUBE	PUMP - OIL PRESSU.	1
	27	F140134-01	OIL TUBE		1
	28	A050009-44	HEX WASHER FACE BOLT	M10X1.25X22L	5

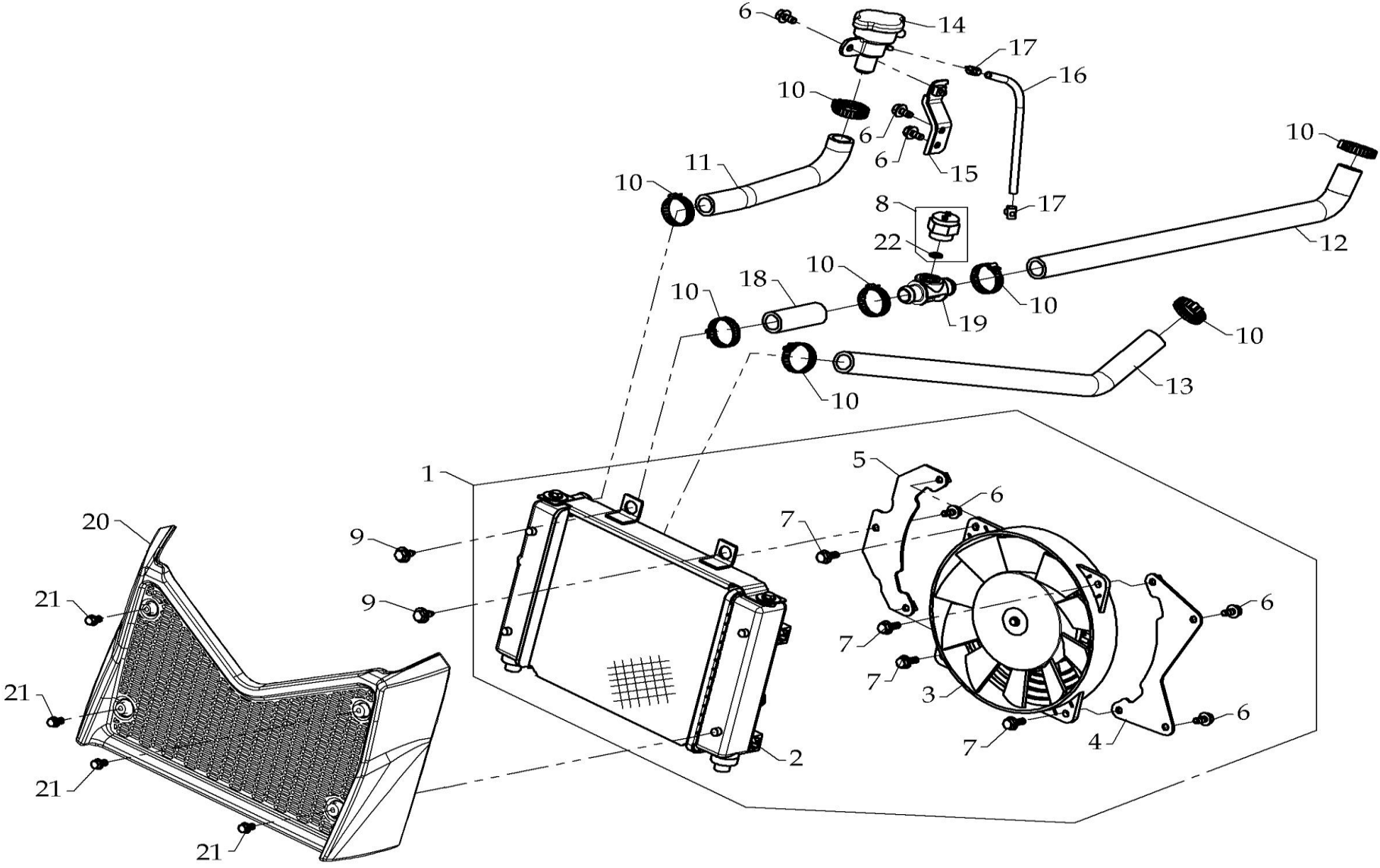
WHEEL



WHEEL

Model	Item	Part no	Description	Specification	Quantity
	29	A050196-44	HEX WASHER FACE BOLT	M10X1.25X39L	1
	30	A050186-41	HEX WASHER FACE BOLT	M8X1.25X28L	1
	31	A220011-00	CLIP		2
	32	A050017-41	HEX WASHER FACE BOLT	M6X1.0X12L	2
	33	A220015-00	PUMP	Ø14	1
	34	F140239-00	PAD ,DISK BRAKE		2

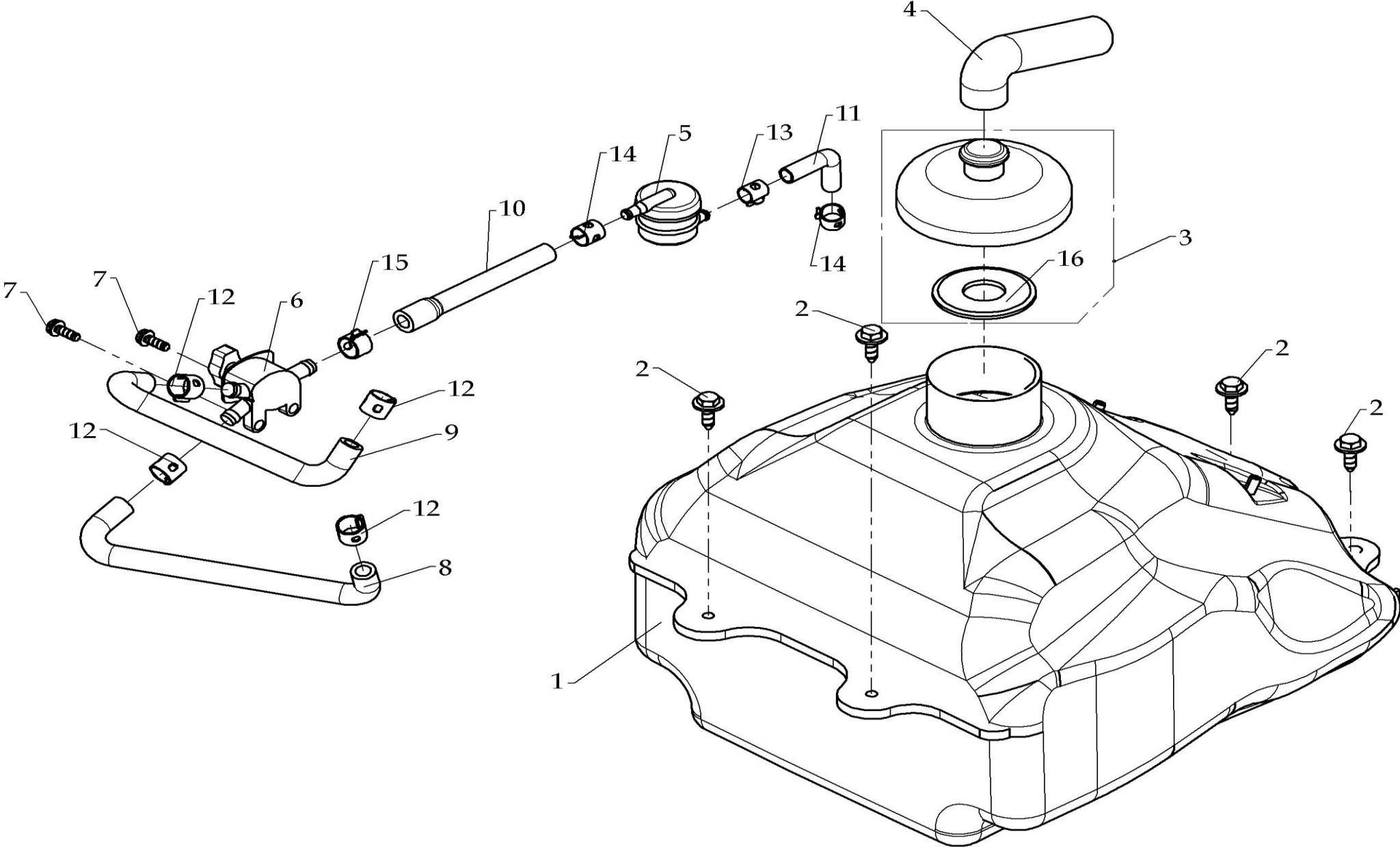
WATER TANK



WATER TANK

Model	Item	Part no	Description	Specification	Quantity
	01	F140261A00	COOLER ASSEMBLY		1
	02	F140265A00	COOLER		1
	03	A190090-00	COOLING FAN ASSEMBLY		1
	04	F140258-50	COOLER BRACKET	LEFT SIDE	1
	05	F140259-50	COOLER BRACKET	RIGHT SIDE	1
	06	A050017-41	HEX WASHER FACE BOLT	M6X1.0X12L	6
	07	A050024-41	HEX WASHER FACE BOLT	M6X1.0X16L	4
	08	A190055-00	COOLING SENCER	M10	1
	09	A050023-41	HEX WASHER FACE BOLT	M6X1.0X16L	2
	10	F150127-41	TUBE CLIP		8
	11	F140159A00	TUBE B		1
	12	F140273-00	TUBE E		1
	13	F140160-00	TUBE C		1
	14	F140157-00	WATER FILLER ASS.		1
	15	F140119A50	BRACKET,WATER FILLER		1
	16	F140164-00	WATER TANK,TUBE B		1
	17	F020452-00	CLIP		2
	18	F140274-00	TUBE F		1
	19	F140275-00	COOLING SENCER BRACKET		1
	20	F140007-15	COLLER COVER		1
	21	A050017-43	HEX WASHER FACE BOLT	M6X1.0X12L	4
	22	A040041-00	O-RING	P10-Ø1.9XØ9.8	1

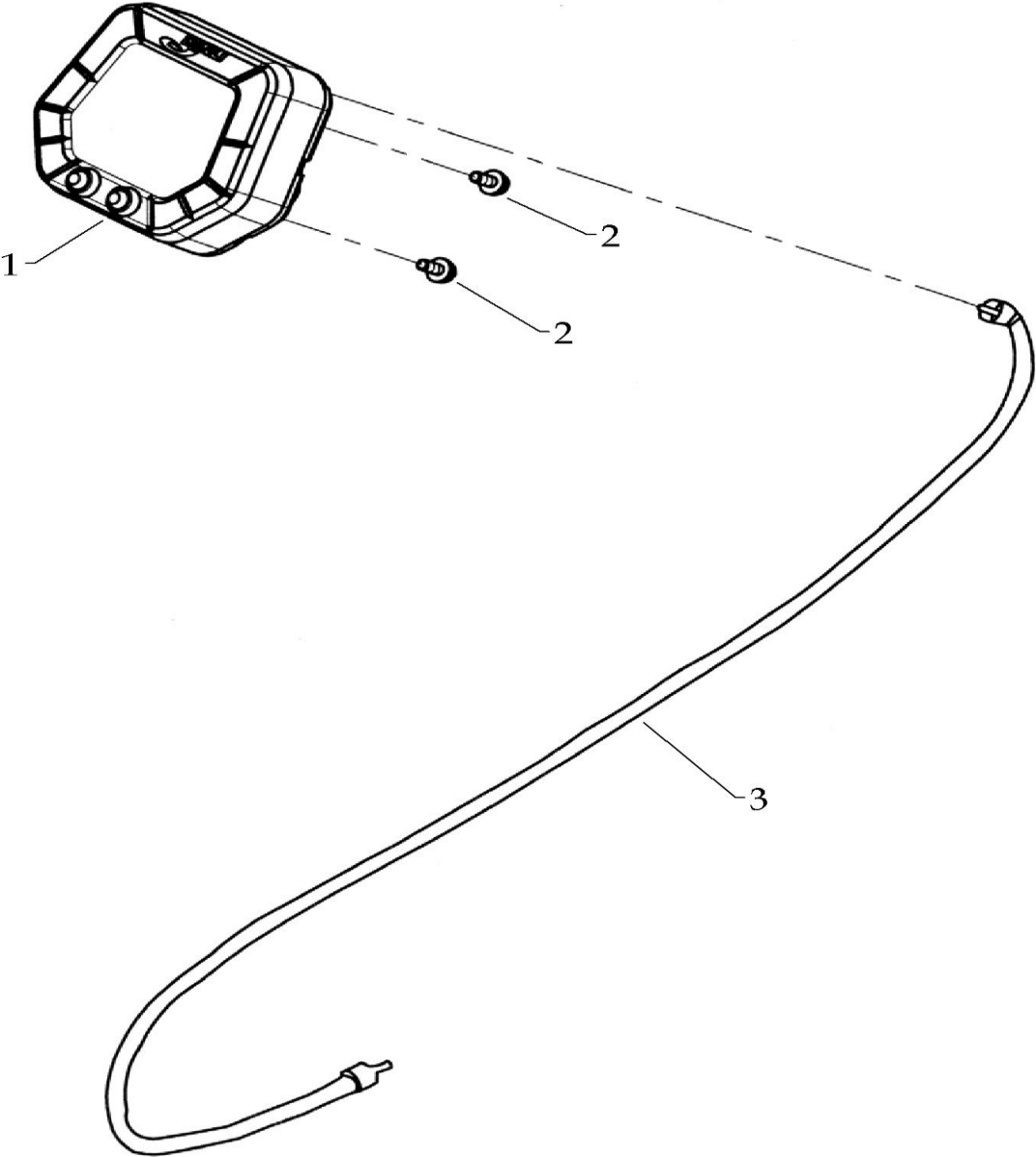
FUEL TANK



FUEL TANK

Model	Item	Part no	Description	Specification	Quantity
	01	F140029-00	FUEL TANK		1
	02	A050063-41	HEX BOLT & WASHER	M6X1.0X20L	4
	03	F140030-00	FUEL TANK CAP		1
	04	F020145-00	BREATHE TUBE		1
	05	A240002-00	FUEL FILTER ASSEMBLY		1
	06	A240003-00	FUEL VALVE		1
	07	A050031-41	PAN HEAD BOLT	M5X0.8X16L	2
	08	A220031-00	TUBE		1
	09	A220032-00	TUBE		1
	10	A220033-00	TUBE		1
	11	A220008-00	TUBE C		1
	12	F020196-00	TUBE CLIP	12X0.8	4
	13	F020197-00	TUBE CLIP	9.2X0.6	1
	14	A220010-00	TUBE CLIP	Ø11X8X0.7t	2
	15	A220034-00	TUBE CLIP	Ø15X10X1.0t	1
	16	F140229-00	GASKET		1

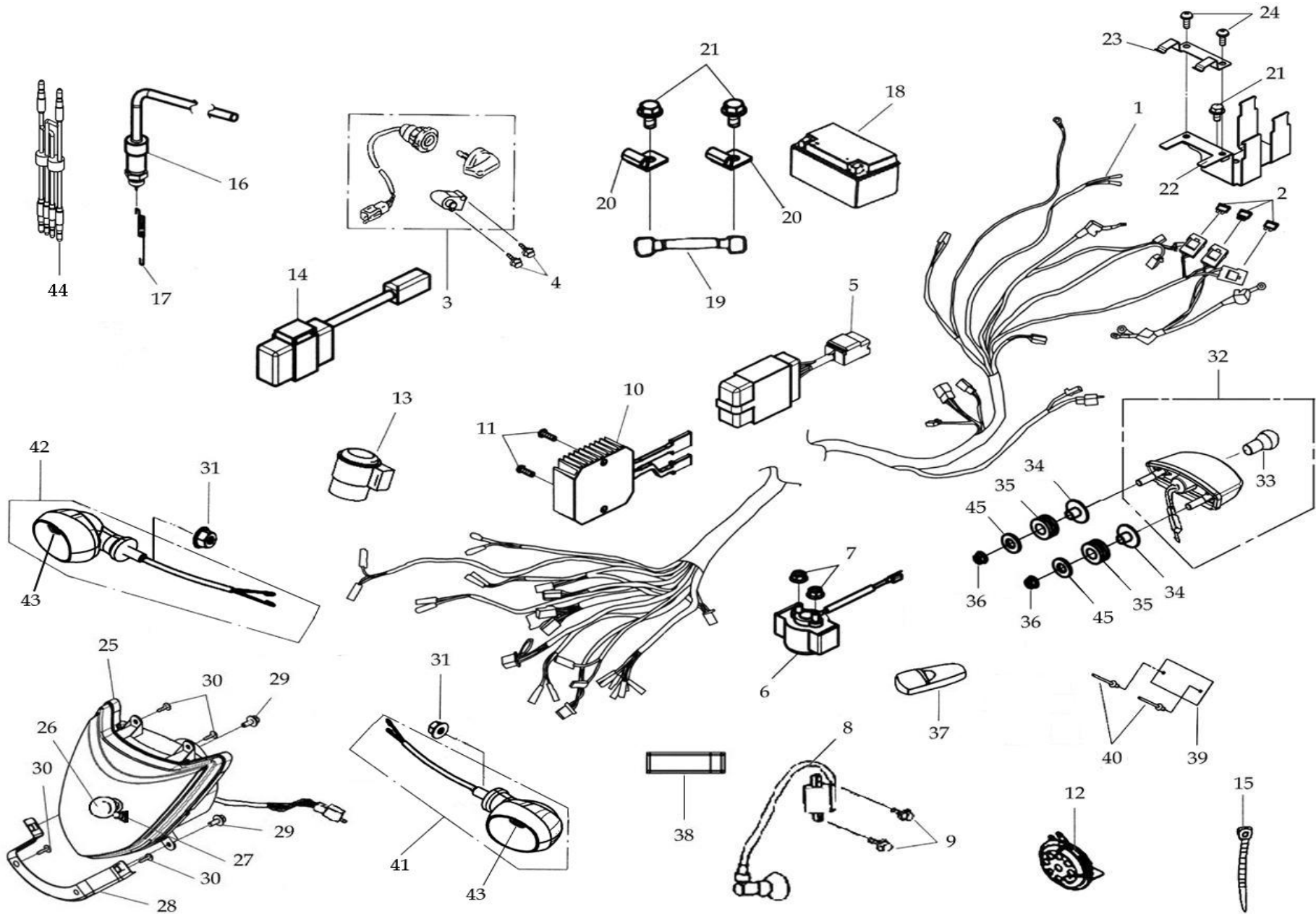
SPEEDOMETER



SPEEDOMETER

Model	Item	Part no	Description	Specification	Quantity
	01	F140116A00	SPEEDOMETER		1
	02	A050095-41	PAN HEAD BOLT	M5X0.8X12L	2
	03	F140199-00	SPEEDOMETER WIRE		1

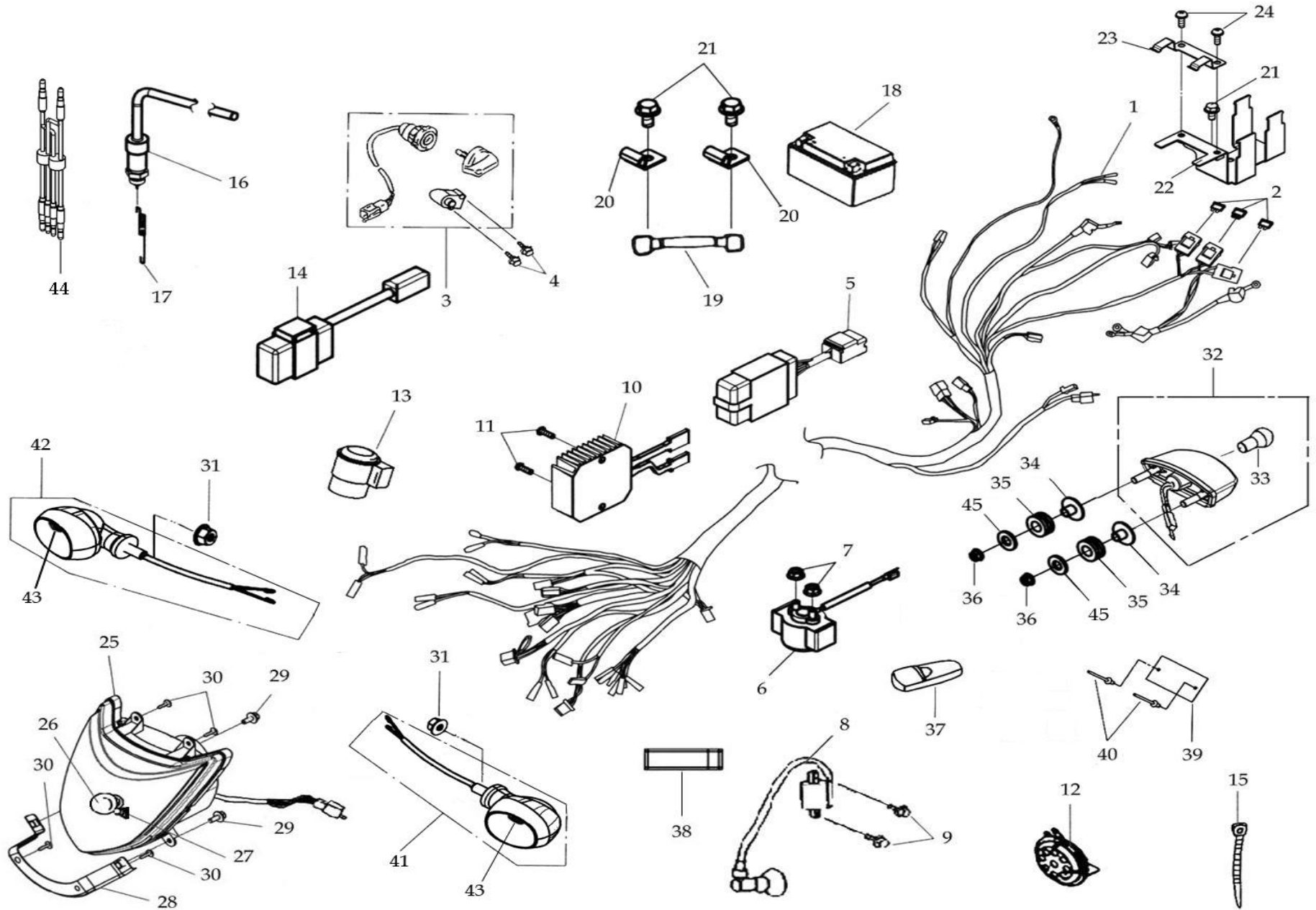
WIRE HARNESS(E-MARK)



WIRE HARNESS(E-MARK)

Model	Item	Part no	Description	Specification	Quantity
	01	F140165A01	MAIN CABLE ASSEMBLY		1
	02	A190073-00	FUSE	15A	3
	03	F020306A01	MAIN SWITCH	E-Mark	1
	04	A050090-41	SOLTTED HEAD BOLT	M6X1.0X12L	2
	05	A190052-00	C.D.I. UNIT ASSEMBLY	DINLI-mark,CE	1
	06	A190064-00	STARTER RELAY ASSEMBLY		1
	07	A060009-41	HEX WASHER FACE NUT	M6X1.0	2
	08	A190068-00	IGNITION COIL ASSEMBLY		1
	09	A050144-41	HEX BOLT	M5X0.8X20L	2
	10	A190063-00	RECTIFIER		1
	11	A050156-41	PAN HEAD BOLT	M6X1.0X16L	2
	12	A190083-00	HORN		1
	13	A190080-00	DIRECTIONAL LIGHT RELAY		1
	14	A190070-00	FLASHER RELAY		1
	15	F020188-00	STRAP	L=177mm	35
	16	A190054-00	FOOT BRAKE SENSOR		1
	17	A110054-43	SPRING		1
	18	A190069-00	BATTERY	YTX12-BS	1
	19	F140141-00	RUBBER BAND,BATTERY		1
	20	F140126-41	BRACKET,RUBBER BAND		2
	21	A050017-41	HEX WASHER FACE BOLT	M6X1.0X12L	3
	22	F140125A50	BRACKET, ELECTRICS		1
	23	F140124-00	BRACKET,FUSE BOX		1
	24	A050159-41	HEAD BOLT	M5X0.8X10L	2
	25	A180056-00	HEAD LIGHT	JUTE A010	1
	26	A180055-00	BULB	12V-35/35W HS1,CE	1
	27	A180049-00	BULB	12V-5W,CE	1
	28	F140031-50	HEAD LIGHT BRACKET		1

WIRE HARNESS(E-MARK)

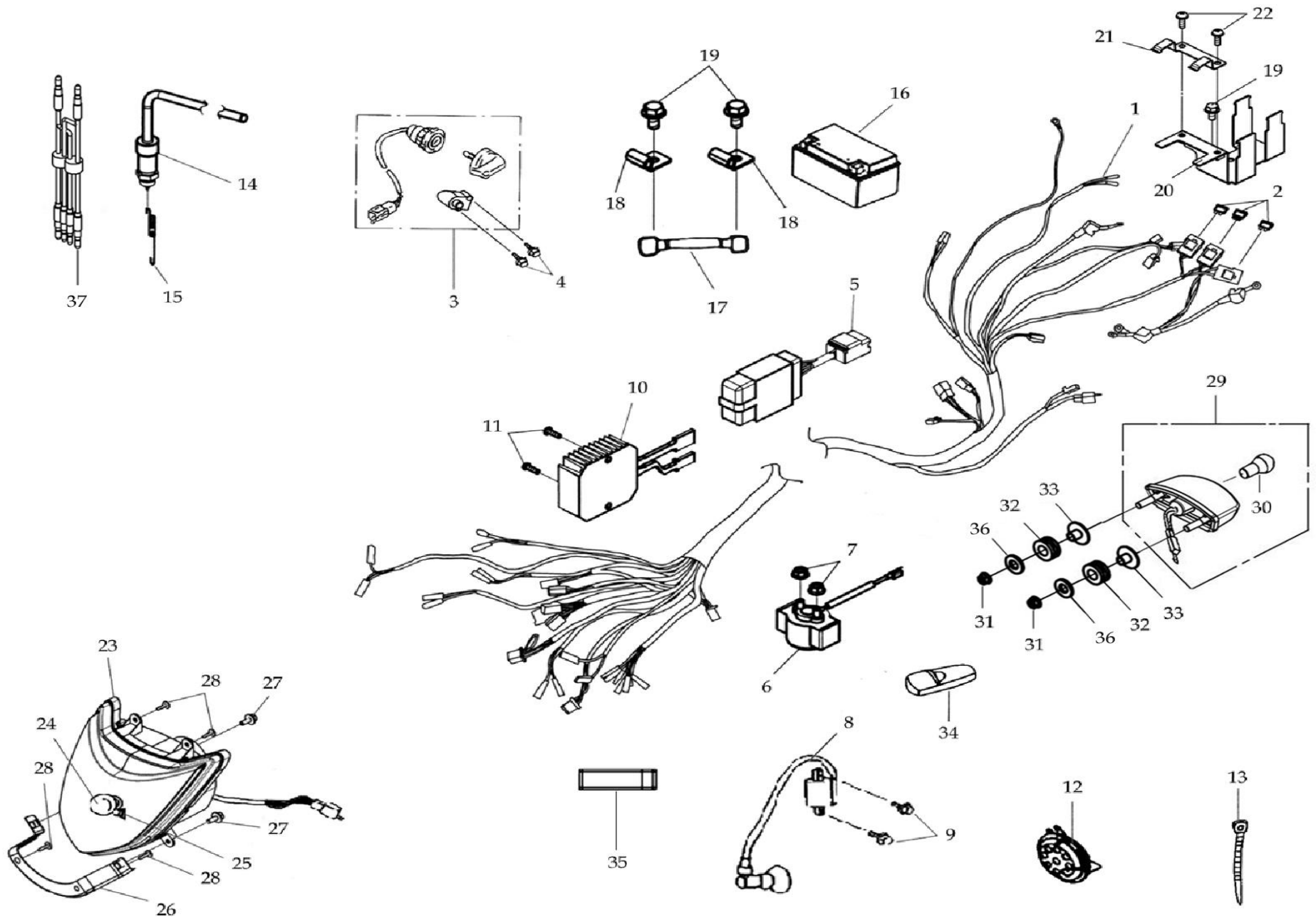


D1026-151D

WIRE HARNESS(E-MARK)

Model	Item	Part no	Description	Specification	Quantity
	29	A050023-41	HEX BOLT	M6X1.0X16L	2
	30	A130005-43	TAPPING SCREW	5X16L	4
	31	A060010-41	HEX WASHER FACE NUT	M10X1.25	2
	32	A180057-00	TAIL LIGHT	JUTE 0002-T	1
	33	A180053-00	BULB	P21/5W,CE	1
	34	F140079-42	T TYPE BUSH		2
	35	F140156-00	DAMPER		2
	36	A060053-41	INSERT LOCK NUT	M6X1.0	2
	37	F140140-00	TOOL KIT		1
	38	A930005-00	JACKET	120X200	1
	39	A990236A00	LICENCE PLATE		1
	40	F020200-00	RIVET		2
	41	A180081-00	DIRECTIONAL LIGHT,FORNT	LEFT SIDE	1
	42	A180082-00	DIRECTIONAL LIGHT,FORNT	RIGHT SIDE	1
	43	A180051-00	BULB	12V/10W,CE	2
	44	A180072-00	DISTRIBUTION CABLE	BRAKE SENSOR USE	1
	45	A080068-41	SPACER	Ø9XØ18X2t	2

WIRE HARNESS

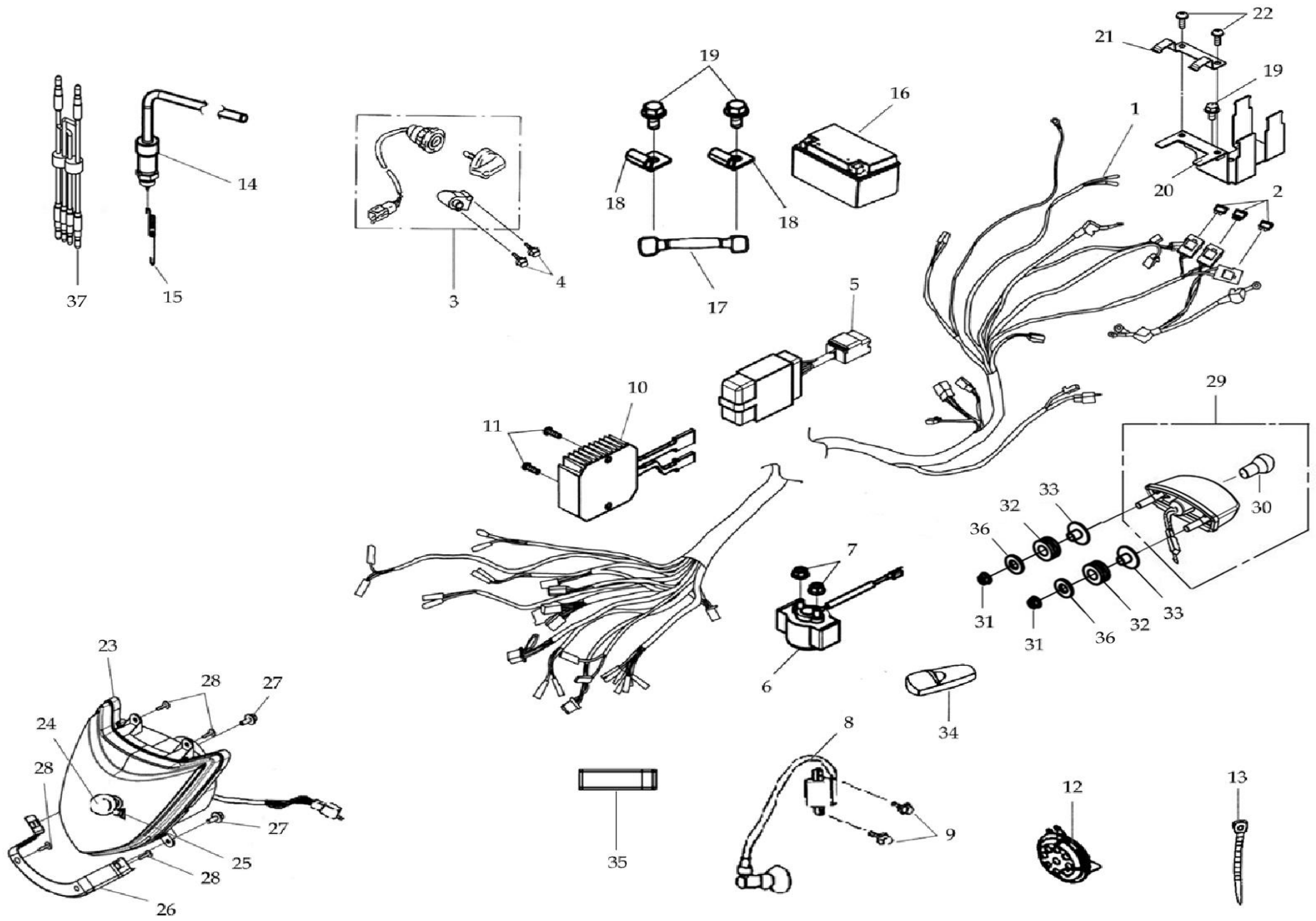


D1026-161B

WIRE HARNESS

Model	Item	Part no	Description	Specification	Quantity
	01	F140192A00	MAIN CABLE ASSEMBLY		1
	02	A190073-00	FUSE	15A	3
	03	F020306A01	MAIN SWITCH		1
	04	A050090-41	SOLTTED HEAD BOLT	M6X1.0X12L	2
	05	A190052-00	C.D.I. UNIT ASSEMBLY	DINLI-mark,CE	1
	06	A190064-00	STARTER RELAY ASSEMBLY		1
	07	A060009-41	HEX WASHER FACE NUT	M6X1.0	2
	08	A190068-00	IGNITION COIL ASSEMBLY		1
	09	A050144-41	HEX BOLT	M5X0.8X20L	2
	10	A190063-00	RECTIFIER		1
	11	A050156-41	HEAD BOLT	M6X1.0X16L	2
	12	A190083-00	HORN		1
	13	F020188-00	STRAP	L=177mm	35
	14	A190054-00	FOOT BRAKE SENSOR		1
	15	A110054-43	FRONT RETURN SPRING		1
	16	A190069-00	BATTERY	YTX12-BS	1
	17	F140141-00	RUBBER BAND,BATTERY		1
	18	F140126-41	BRACKET,RUBBER BAND		2
	19	A050017-41	HEX WASHER FACE BOLT	M6X1.0X12L	3
	20	F140125A50	BRACKET, ELECTRICS		1
	21	F140124-00	BRACKET,FUSE BOX		1
	22	A050159-41	HEAD BOLT	M5X0.8X10L	2
	23	A180056-00	HEAD LIGHT	JUTE A010	1
	24	A180055-00	BULB	12V-35/35W HS1,CE	1
	25	A180049-00	BULB	12V-5W,CE	1
	26	F140031-50	HEAD LIGHT BRACKET		1
	27	A050023-41	HEX BOLT	M6X1.0X16L	2
	28	A130005-43	TAPPING SCREW	5X16L	4

WIRE HARNESS

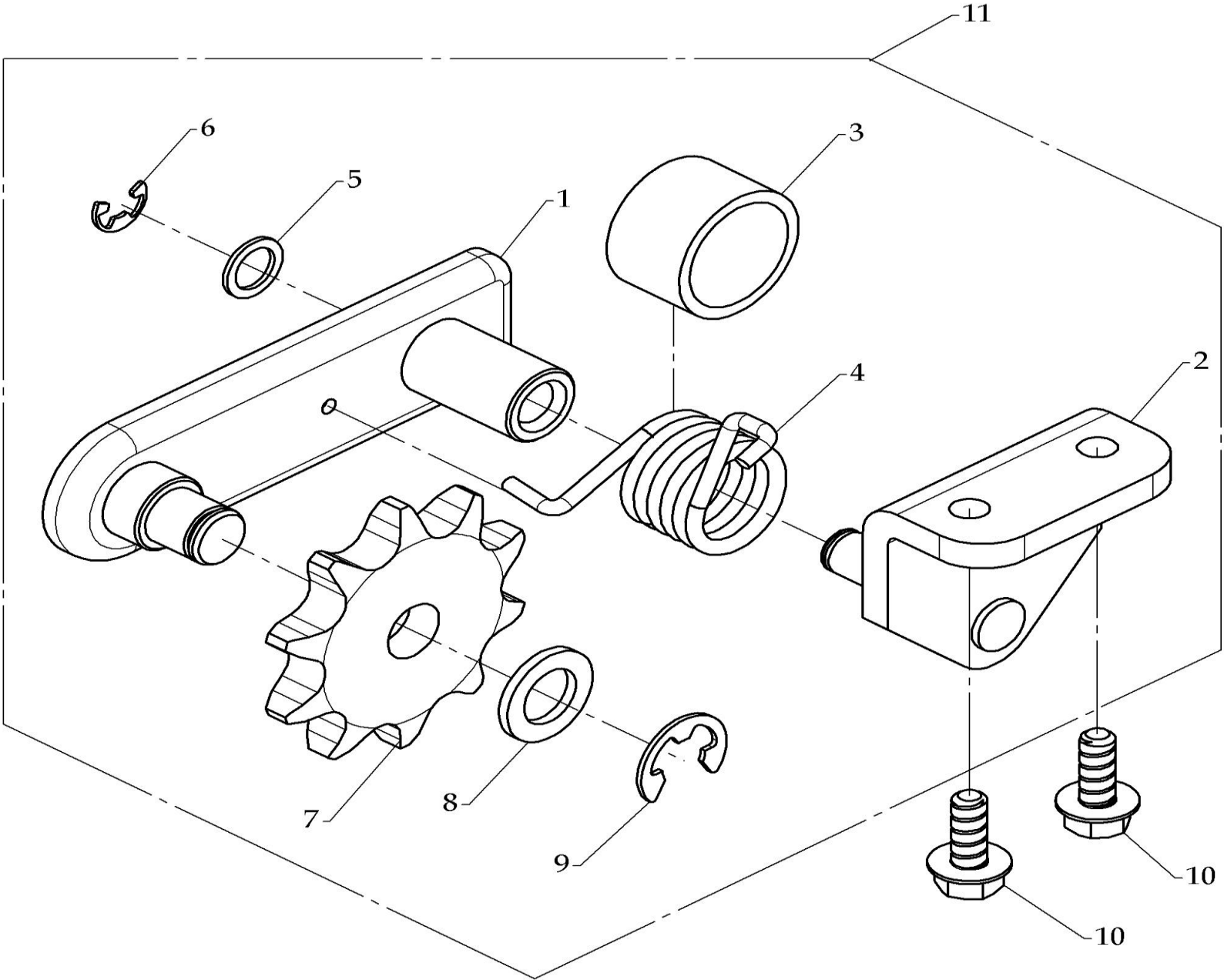


D1026-161B

WIRE HARNESS

Model	Item	Part no	Description	Specification	Quantity
	29	A180057-00	TAIL LIGHT	JUTE 0002-T	1
	30	A180053-00	BULB	P21/5W,CE	1
	31	A060053-41	INSERT LOCK NUT	M6X1.0	2
	32	F140156-00	DAMPER		2
	33	F140079-42	T TYPE BUSH		2
	34	F140140-00	TOOL KIT		1
	35	A930005-00	JACKET	120X200	1
	36	A080068-41	SPACER	Ø9XØ18X2t	2
	37	A180072-00	DISTRIBUTION CABLE	BRAKE SENSOR USE	1

IDLE GEAR(OPTION)



IDLE GEAR(OPTION)

Model	Item	Part no	Description	Specification	Quantity
	01	F140225-48	BRACKET,IDLE GEAR		1
	02	F140230-44	BRACKET,CHAIN GUIDE		1
	03	F140228-00	RUBBER CAP	Ø23XØ28X17L	1
	04	A110044-41	TORSION SPRING		1
	05	A080103-00	SPACER	Ø9.2XØ13X1t	1
	06	A100014-43	RETAINING RINGS E TYPE	Ø6	1
	07	A170012-00	IDLE GEAR		1
	08	A080052-00	SPACER	Ø12.2XØ20X2.0	1
	09	A100002-43	RETAINING RINGS E TYPE	Ø10	1
	10	A050024-41	HEX WASHER FACE BOLT	M6X1.0X16L	2
	11	F140226-00	IDLE GEAR ASSEMBLY		1

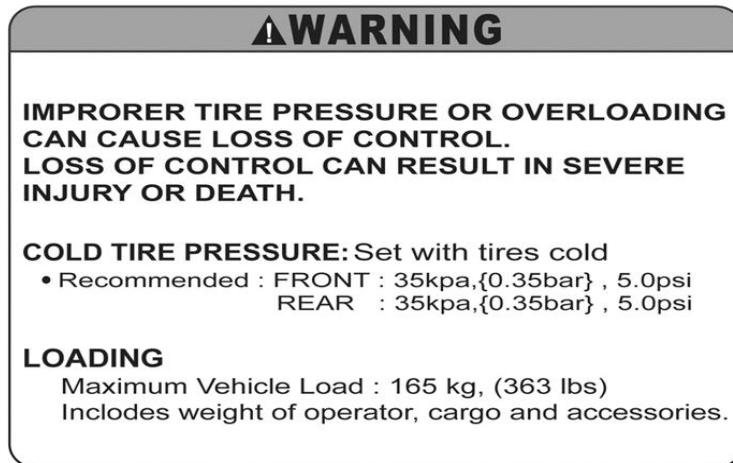
STICKERS



1



* 2



3



4

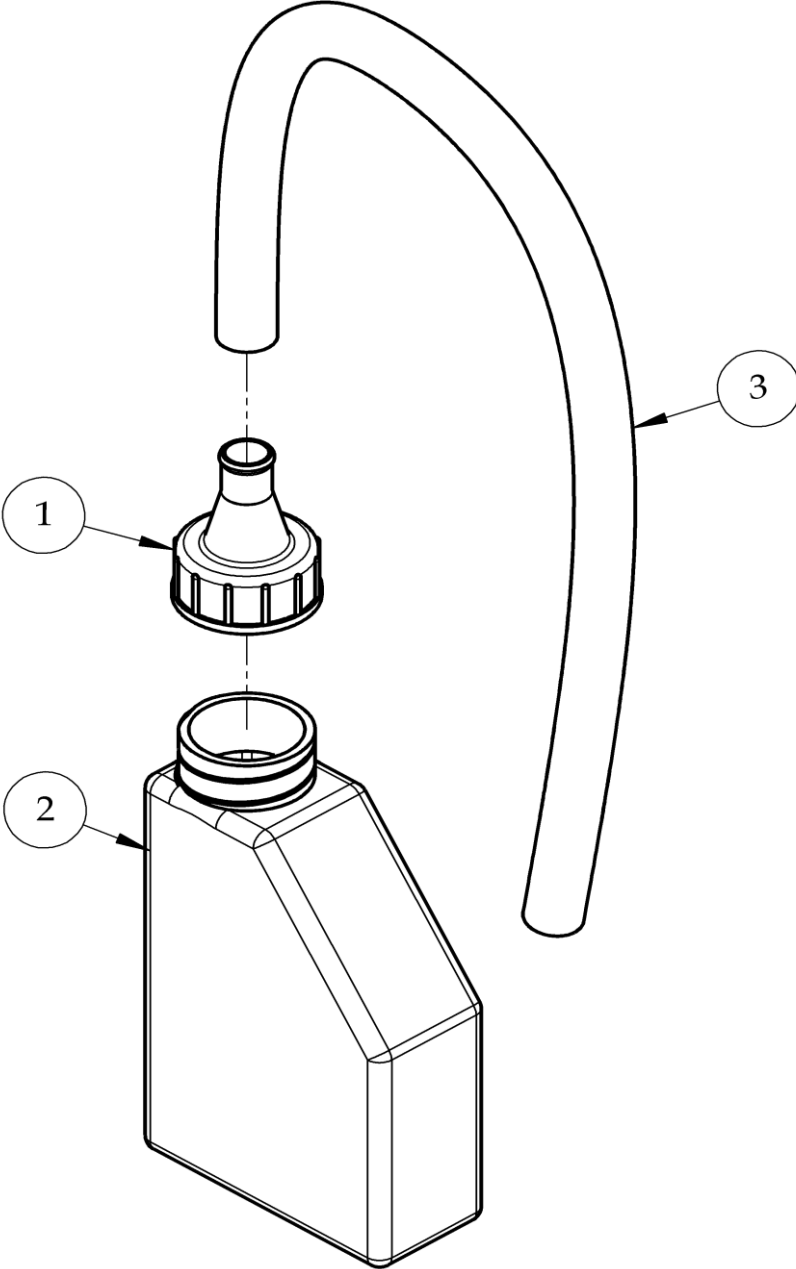


5

STICKERS

Model	Item	Part no	Description	Specification	Quantity
	01	A990210-00	WARRING LABEL		1
350	02	A990227	DECAL		1
270	*	A990207	DECAL		1
	03	A990233-00	WARRING LABEL		1
	04	A990218-00	CARRIER LOAD LABEL		1
	05	A990213-00	WARRING LABEL		1

COOLING WATER



COOLING WATER

Model	Item	Part no	Description	Specification	Quantity
	01	F140262-00	FULL CAP		1
	02	F140263-00	COOLING WATER	1L	1
	03	F140264-00	TUBE	Ø15XØ18X680L	1

※注意:

- 1.紅色文字部分於出版時刪除
- 2.去除中文
- 3.調整版面
- 4.加頁碼
- 5.加入匯總表