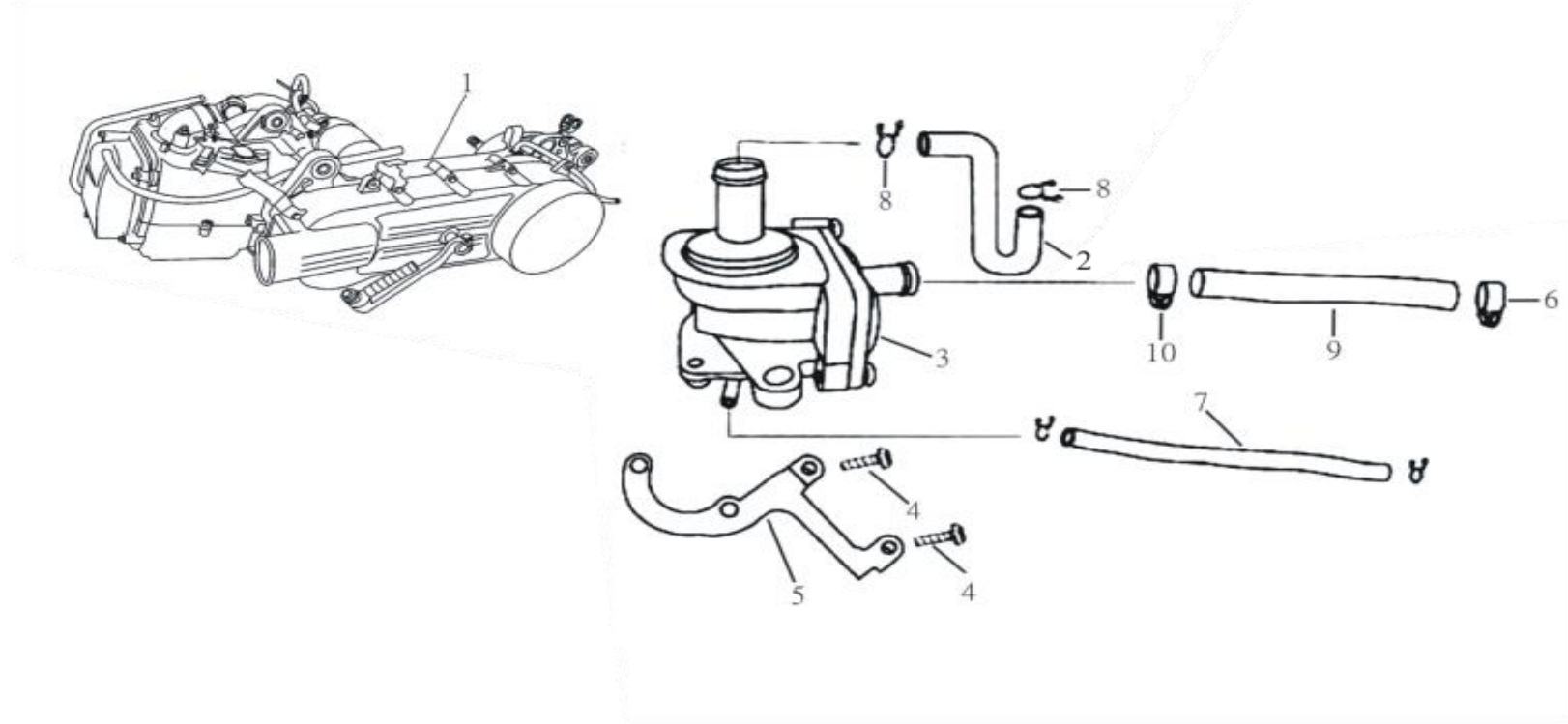


# ENGINE PARTS FOR 125CC

23

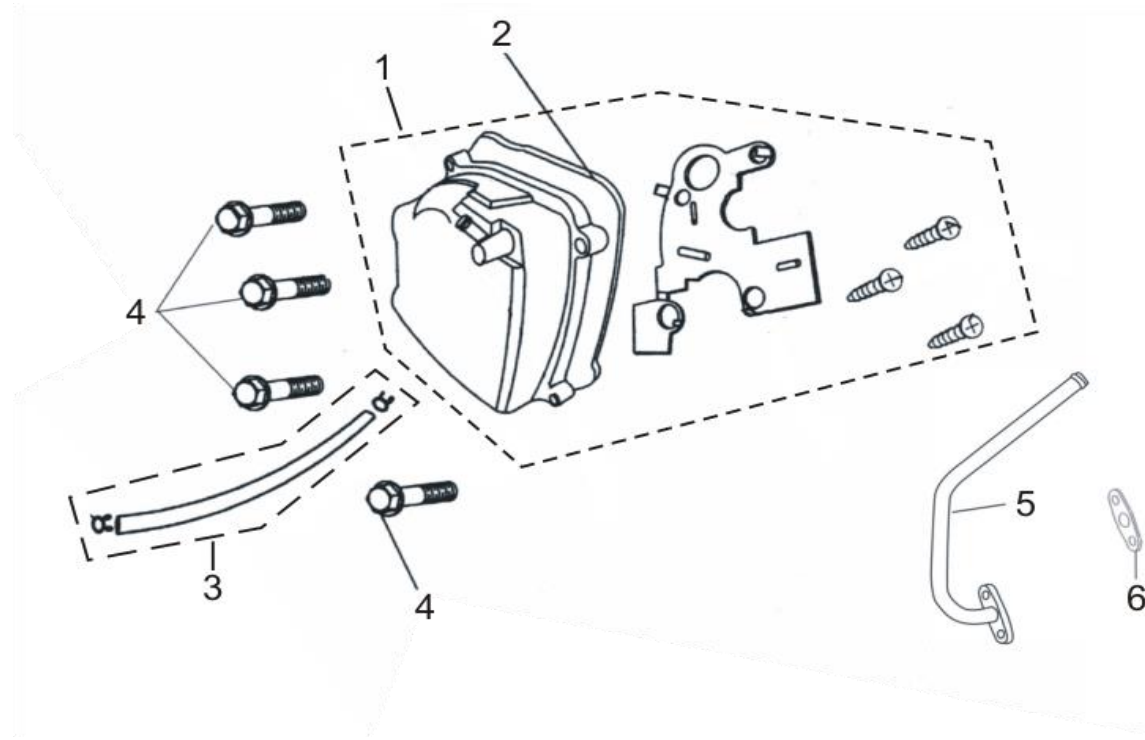
## ENGINE



NO.	PART CODE	DESCRIPTION	QTY
1	10100-GY57-0000	ENGINE ASSEMBLY	1
2	18656-GT10-0000	JOINT PIPE.AIR FILTER	1
3	1880A-GT10-0000	FILL VAVLE,SECONDARY AIR	1
4	96001-06018-000	FLANG BOLT M6 X 18	2

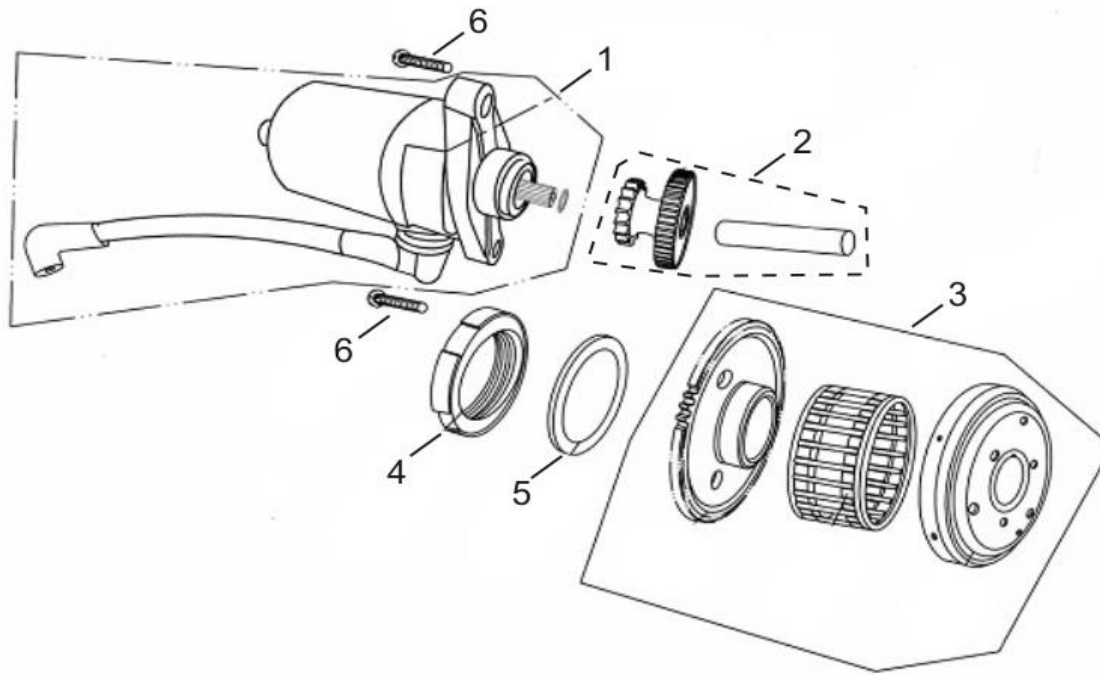


## CYLINDER HEAD COVER



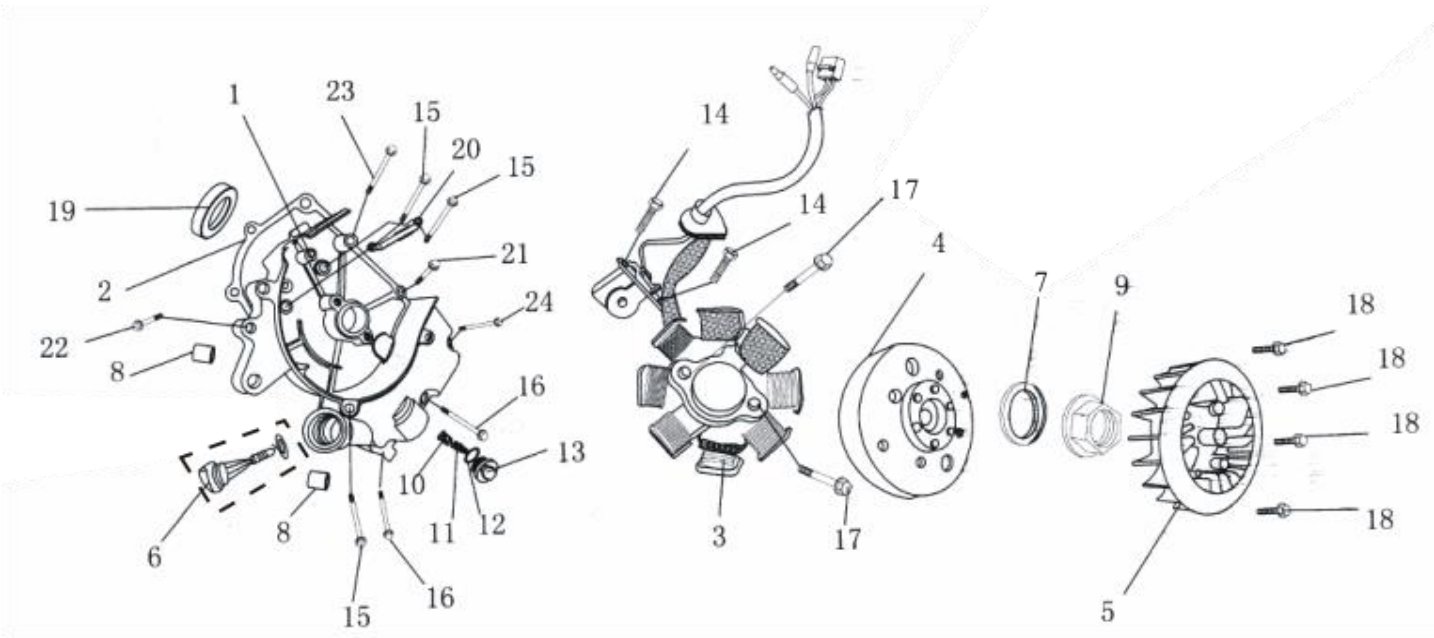
NO.	PART CODE	DESCRIPTION	QTY
1	12310-GY57-0000	CYLINDER HEAD COVER	1
2	12391-GY57-0000	WASHER,CYLINDER HEAD COVER	1
3	11211-GY57-0000	VENT PIPE	1
4	95701-06025-080	FLANGE BOLT M6*25(CHROME)	4
5	18647-GY57-0000	STEEL PIPE	1
6	18645-GY57-0000	WASHER,STEEL PIPE	1

## START MOTOR



NO.	PART CODE	DESCRIPTION	QTY
1	31210-GY57-0000	STARTER MOTOR ASSY	1
2	28101-GY57-0000	GEAR,STARTER REDUCTION	1
3	2810A-GY57-0000	STARTER CLUTCH ASSY	1
4	90201-GY57-0220	LOCKNUT M22	1
5	90403-GY57-0000	WASHER 22(BLACK)	1
6	96001-06016-000	FLANGE BOLT M6*16(CHROME)	2

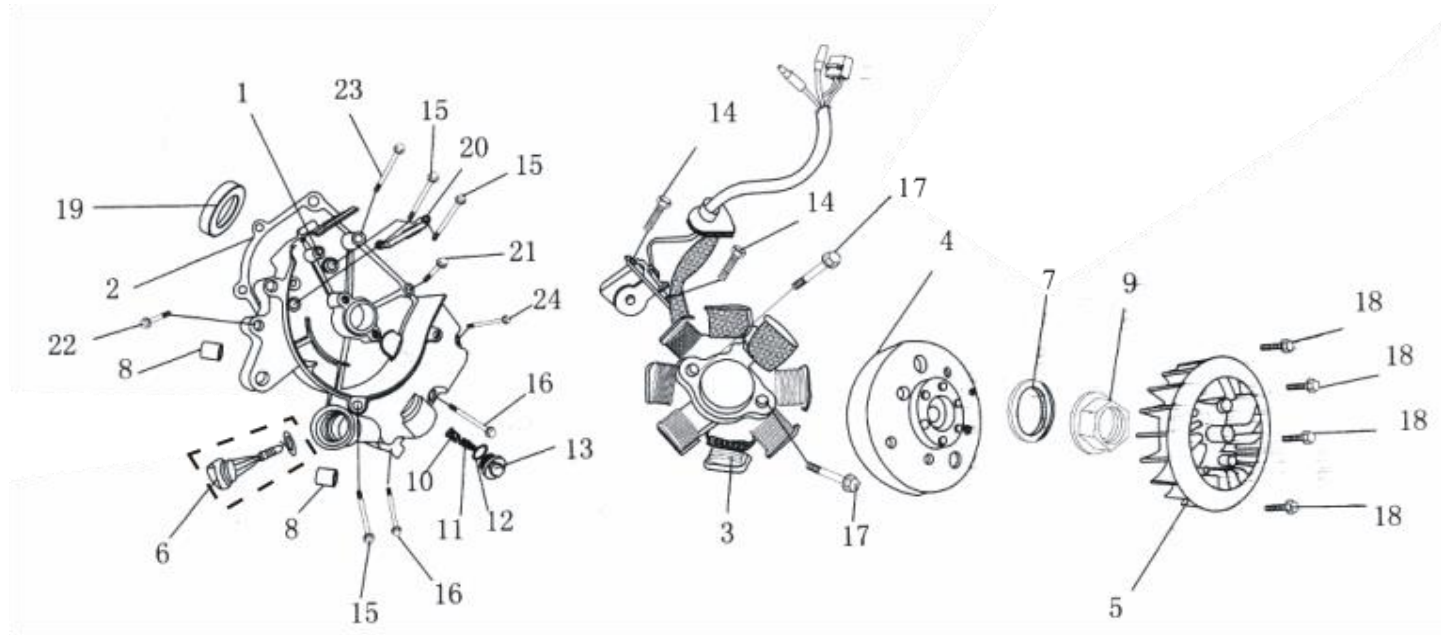
# MAGNETO



NO.	PART CODE	DESCRIPTION	QTY
1	11331-GY57-0000	R.CRANKCASE COVER	1
2	11394-GY57-0000	GASKET,R.CRANKCASE COVER	1
3	31120-GY57-0080	COIL ASSY	1
4	31110-GY57-0080	FLY WHEEL ASSY	1
5	19510-GY57-0000	FAN	1
6	1565A-GY57-0000	OIL RULE(WITH O-RING)	1
7	90440-GY57-0000	WASHER 12(BLACK)	1
8	94301-08014-000	LOCATING DEWEL 8*14	2

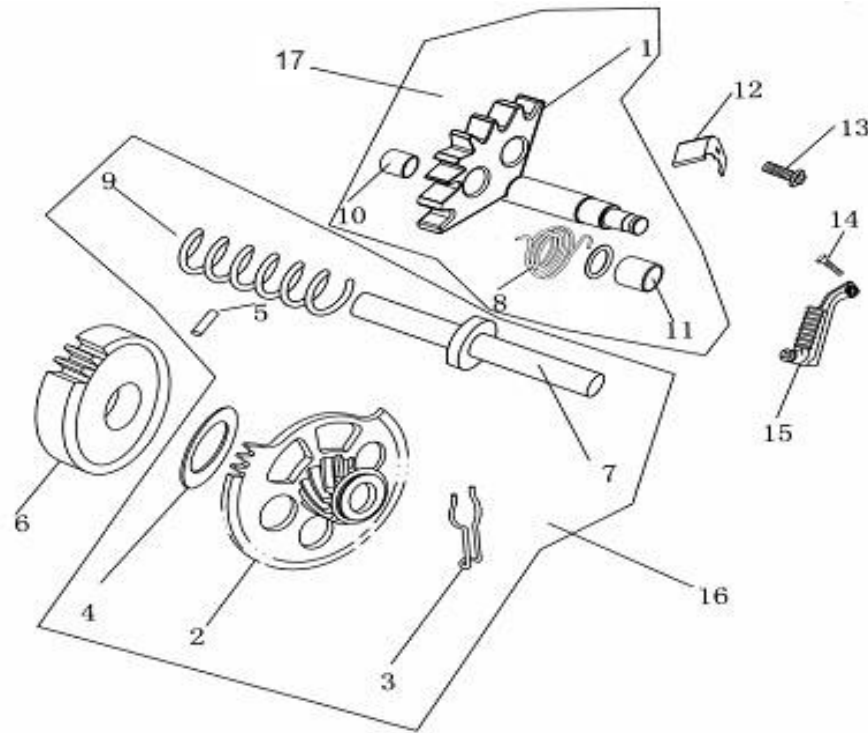
9	94050-12080-000	FLANGE NUT M12	1
10	15421-GY57-0000	OIL FILTER	1
11	15426-GY57-0000	SPRING,OIL FILTER	1
12	91302-GY57-0000	O-RING 30.8*3	1
13	12361-GY57-0000	OIL DRAIN CAP	1
14	90101-05012-000	HEX.FLANGE BOLT M5*12	2
15	96001-06095-080	FLANGE BOLT M6*95	3
16	96001-06110-080	FLANGE BOLT M6*110(CHROME)	2
17	96001-06022-080	FLANGE BOLT M6*22	2
18	96001-06018-080	FLANGE BOLT M6*18	4
19	91201-19830-050	OIL SEAL 19.8*30*5	1
20	32961-GY57-0000	LINE CLAMP,MAGNETO	1

## MAGNETO



NO.	PART CODE	DESCRIPTION	QTY
21	96001-06032-080	FLANGE BOLT M6*32(CHROME)	1
22	96101-06035-000	HEX.FLANGE BOLT M6*35	1
23	96001-06100-080	FLANGE BOLT M6*100	1
24	96001-06095-080	FLANGE BOLT M6*95(CHROME)	1

## KICK STARTER ASSY

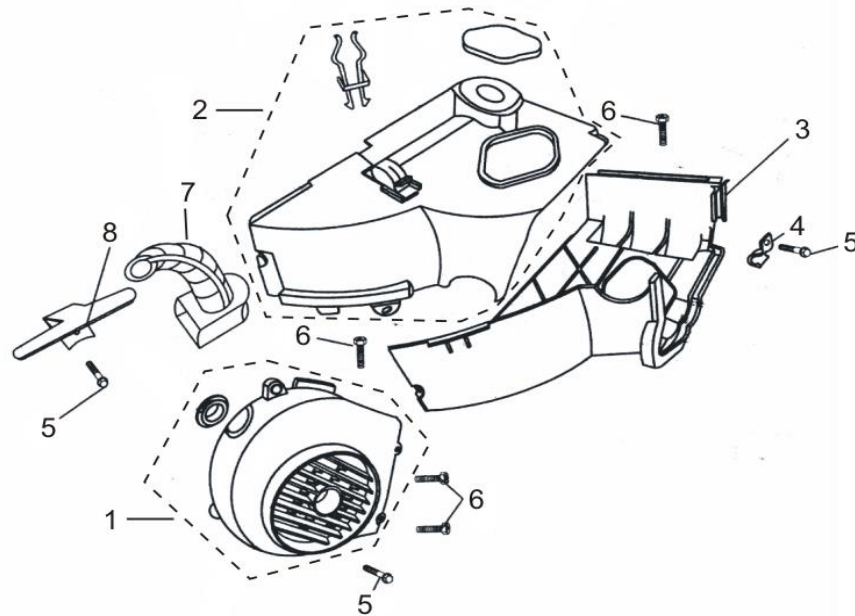


NO.	PART CODE	DESCRIPTION	QTY
1	28250-GY57-0000	STARTER AXLE	1
2	28231-GY57-0000	IDLER WHEEL GEAR	1
3	28232-GY57-0000	ATTRITION SPRING	1
4	28233-12022-160	PLASTIC WASHER 12*22*1.6	1
5	94301-03085-000	CYLINDRICAL PIN3*8.5	1
6	28220-GY57-0000	DRIVEN GEAR	1
7	28234-GY57-0000	IDLER WHEEL AXLE	1
8	28251-GY57-0000	RETURN SPRING,STARTER AXLE	1



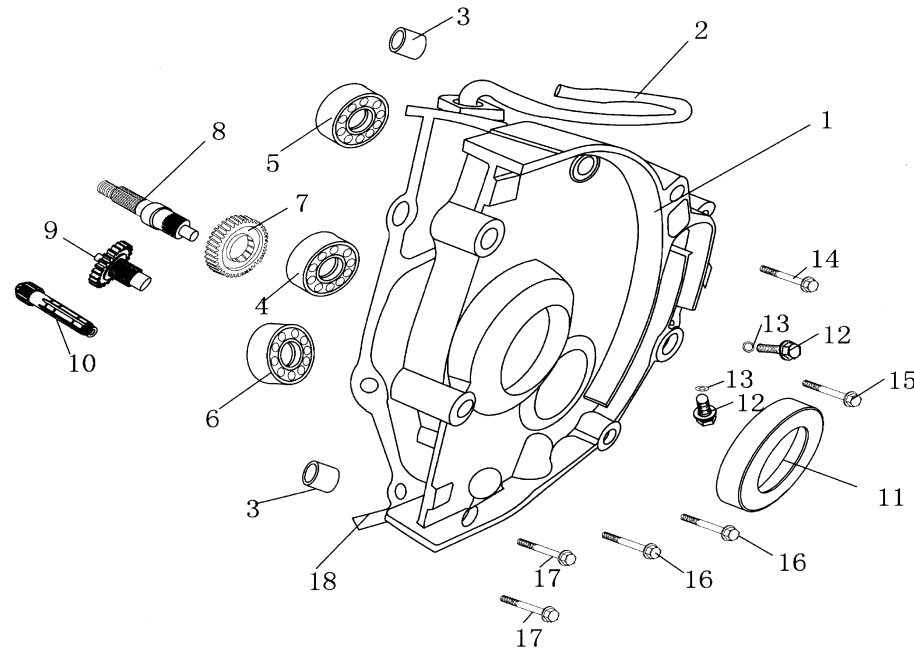
9	28235-GY57-0000	SPRING,IDLER WHEEL AXLE	1
10	28252-GY57-0000	BUSH 1,STARTER AXLE	1
11	28253-GY57-0000	BUSH 2,STARTER AXLE	1
12	28254-GY57-0000	LOCK PLATE	1
13	96001-06014-000	FLANGE BOLT M6*14(WHITE)	1
14	95701-06022-000	HEX.BOLT M6*22(BLACK)	1
15	28300-GY57-0000	START BAR(BEND)	1
16	2820B-GY57-0000	IDLER WHEEL AXLE ASSY	1
17	2820A-GY57-0000	STARTER AXLE ASSY.	1

## FAN COVER

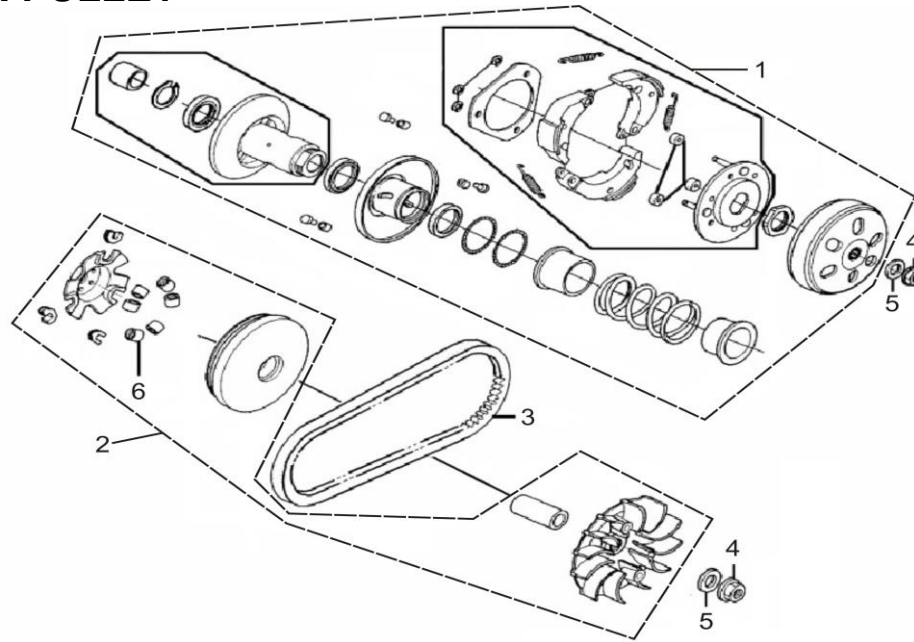


NO.	PART CODE	DESCRIPTION	QTY
1	1961A-GY57-0000	COOLING FAN COVER(WITH RUBBER PLUG)	1
2	1963A-GY57-0000	UPPER COVER(WITH GASKET)	1
3	1962A-GY57-0000	LOWER COVER(WITH GASKET)	1
4	19621-GY57-0000	CLAMP,OIL HEADER	1
5	96001-06025-080	FLANGE BOLT M6*25(WHITE)	3
6	19635-GY57-0000	CROSS HEAD,HEX.SCREW M5*16(BLACK)	4
7	19611-GY57-0000	COOLING TUBE,CARBURETOR	1
8	19634-GY57-0000	CLAMP,MOTOR LINE	1

## REAR GEAR BOX

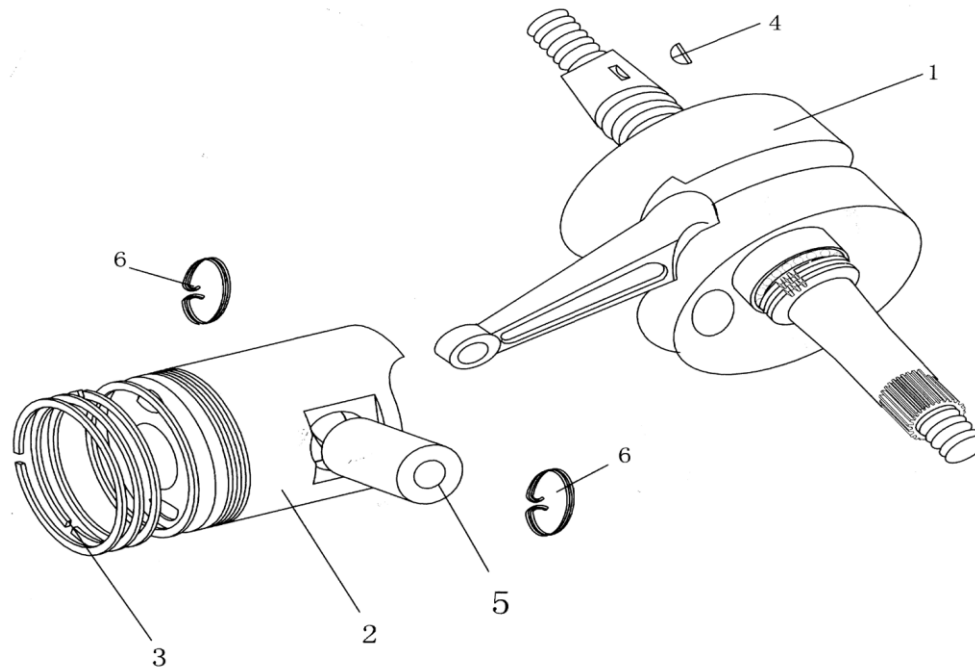


NO.	PART CODE	DESCRIPTION	QTY
1	21200-GY57-0000	GEARBOX COVER	1
2	11221-GY57-0000	VENT PIPE,GEARBOX	1
3	94301-08140-000	LOCATING DEWEL 8*14	2
4	96100-62040-000	BEARING 6204	1
5	96100-62020-000	BEARING 6202	1
6	96100-62030-000	BEARING 6203	1
7	23432-GY57-0000	FINAL GEAR	1
8	23431-GY57-0000	FINAL SHAFT(LONG)	1
9	23420-GY57-0000	COUNTERSHAFT	1
10	23411-GY57-0000	DRIVE SHAFT	1
11	91202-GY57-0000	OIL SEAL 20*32*6	1
12	95701-08012-000	FLANGE BOLT M8*12(CHROME)	2
13	90474-GY57-0000	GASKET 8(REDF)	2
14	96001-06028-000	FLANGE BOLT M6*28(CHROME)	1
15	96001-06035-000	FLANGE BOLT M6*35(CHROME)	1
16	96001-06035-000	FLANGE BOLT M6*35(WHITE)	2
17	96001-06035-000	FLANGE BOLT M6*28(WHITE)	2
18	21395-GY57-0000	GASKET,GEARBOX COVER	1

**DRIVEN PULLEY**

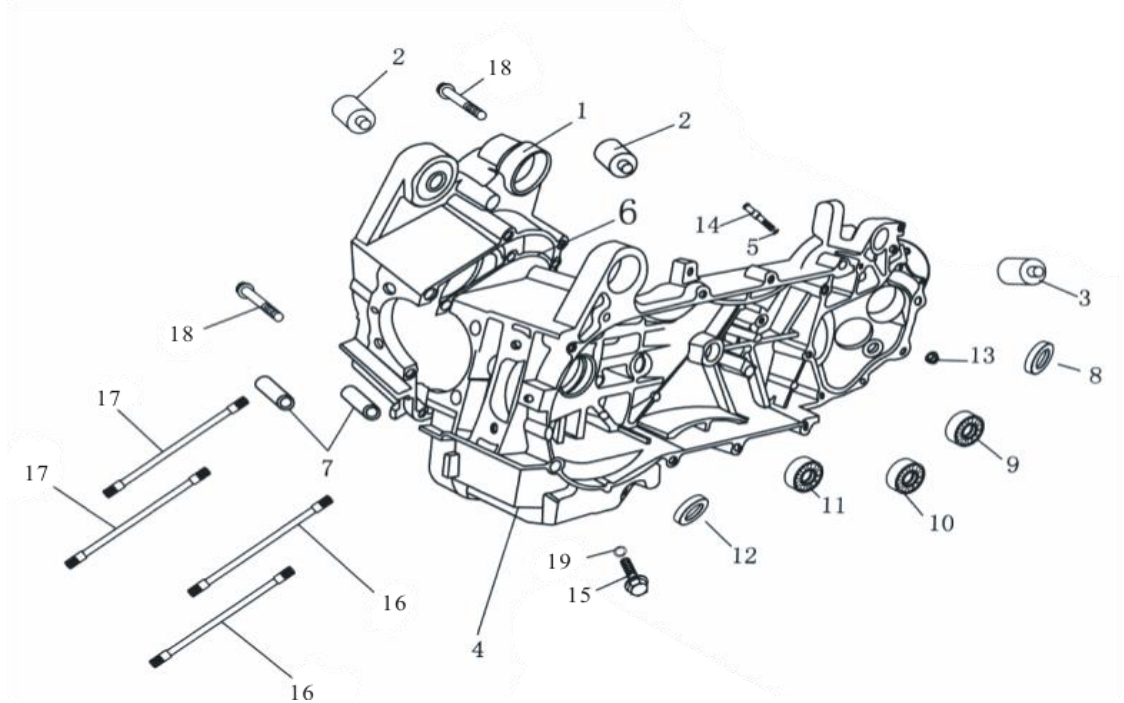
NO.	PART CODE	DESCRIPTION	QTY
1	2301A-GY57-0000	DRIVING WHEEL ASSY	1
2	2210A-GY57-0000	DRIVING DISK ASSY	1
3	23100-GY57-0000	DRIVING BELT	1
4	94050-12080-000	FLANGE NUT 12	2
5	90441-GY57-0000	WASHER 12	2
6	22121-GY57-0000	ROLLER COMP WEIGHT	6

## CRANKSHAFT & CONNECT ROD



NO.	PART CODE	DESCRIPTION	QTY
1	13000-GY57-0000	CRANKSHAFT & CONNECT ROD ASSEMBLY	1
2	13101-GY57-0000	PISTON	1
3	13011-GY57-0000	PISTON RING COMP.	1
4	90701-GY57-0000	WOODRUFF KEY	2
5	13111-GY57-0000	PISTON PIN	1
6	94601-GY57-0000	CLOSING RING, PISTON PIN	2

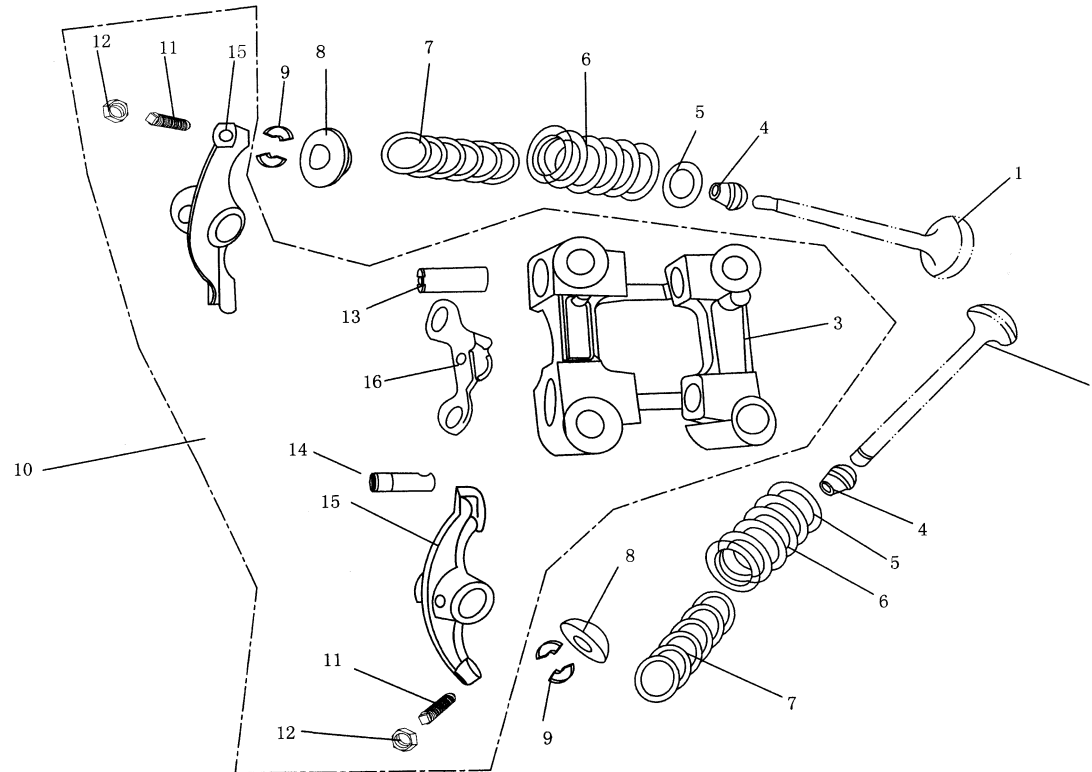
## CRANKCASE



NO.	PART CODE	DESCRIPTION	QTY
1	11100-GY57-0000	R.CRANKCASE BODY	1
2	11102-GY57-0000	BUSH,ENGINE HANGER	2
3	11203-GY57-0000	BUSH,LOWER SHOCK ABSORBER,RR	1
4	11200-GY57-0000	L.CARKCASE BODY(LONGER)	1
5	91301-GY57-0000	O-RING 7.5*1.5	1
6	11392-GY57-0000	GASKET,CRANKCASE	1
7	94301-08140-000	LOCATING DEWEL 8*14	2
8	91255-GY57-0000	OIL SEAL 27*42*7	1

9	91009-GY57-0000	BEARING 6004	1
10	91003-GY57-0000	BEARING 6301	1
11	96100-60020-000	BEARING 6002	1
12	91202-GY57-0000	OIL SEAL 19.8*30*5	1
13	90309-GY57-0000	LOCKNUT M8	1
14	11204-GY57-0000	LOCATING DEWEL BRAKE BLOCK	1
15	9052A-GY57-0000	OIL DRAIN BOLT(CHROE)	1
16	90032-GY57-0000	STUD BOLT M8*195.5(COLOR)	2
17	90031-GY57-0000	STUD BOLT M8*187.5(COLOR)	2
18	96001-06050-000	FLANGE BOLT M6*50(WHITE)	2
19	90521-GY57-0000	WASHER 12	1

## AIR MACHINE

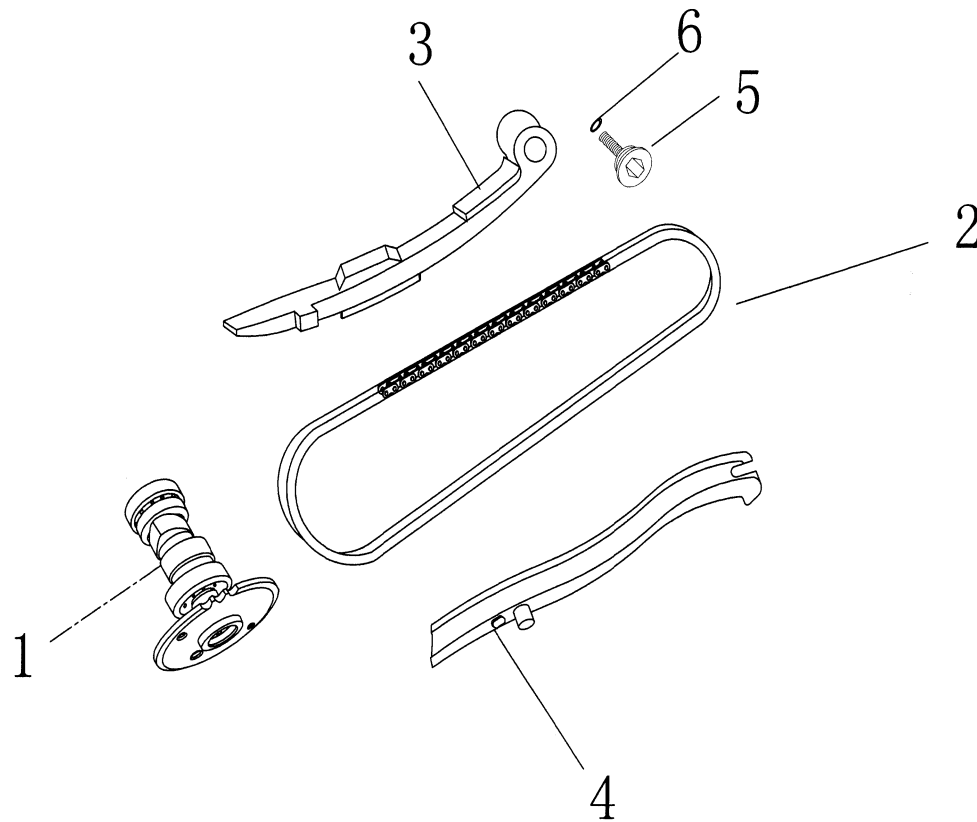


NO.	PART CODE	DESCRIPTION	QTY
1	14711-GY57-0000	INLET VALVE	1
2	14721-GY57-0000	EXHAUSE VALVE	1
3	12211-GY57-0000	HOLDER OF ROCKER	1
4	12209-GY57-0000	VALVE OIL SEAL	2
5	14775-GY57-0000	VALVE SPRING SEAT	2
6	14751-GY57-0000	VALVE OUTER SPRING	2



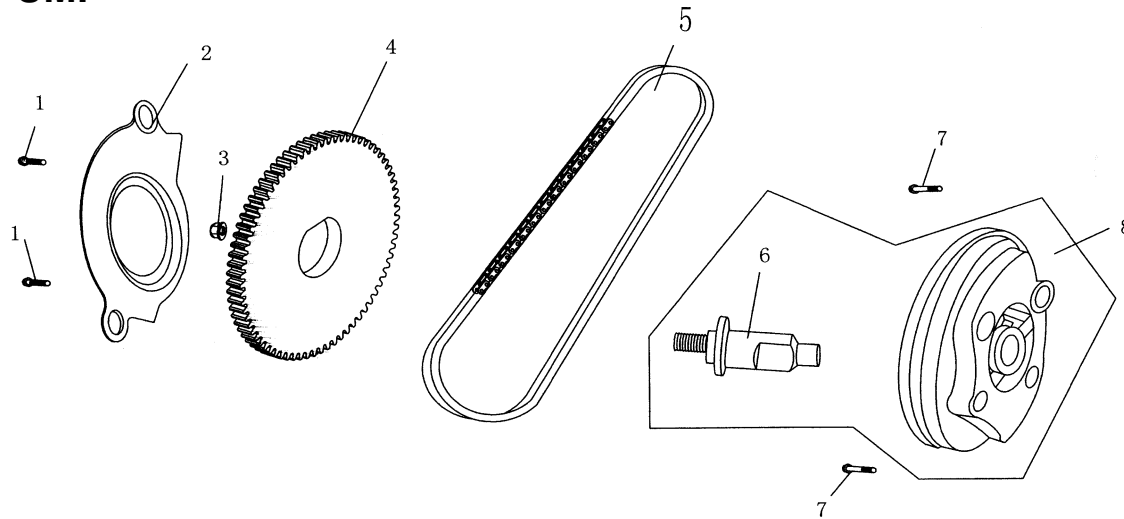
7	14761-GY57-0000	VALVE INNER SPRING	2
8	14771-GY57-0000	VALVE SPRING TRAY	2
9	14781-GY57-0000	VALVE LOCK CLAMP	4
10	1220A-GY57-0000	VALVE ROCKER SEAT ASSY.	2
11	90012-GY57-0000	ADJUSTING SCREW, VALVE	2
12	90206-GY57-0000	ADJUSTING LOCKNUT, VALVE	2
13	14450-GY57-0000	ROCKER SHAFT, EXHAUST VALVE	1
14	14452-GY57-0000	ROCKER SHAFT, INLET VALVE	1
15	14431-GY57-0000	ROCKER	2
16	14460-GY57-0000	DECOMPRESSION LOCK PLATE COMP.	1

## TIMING CHAIN,TENSIONER



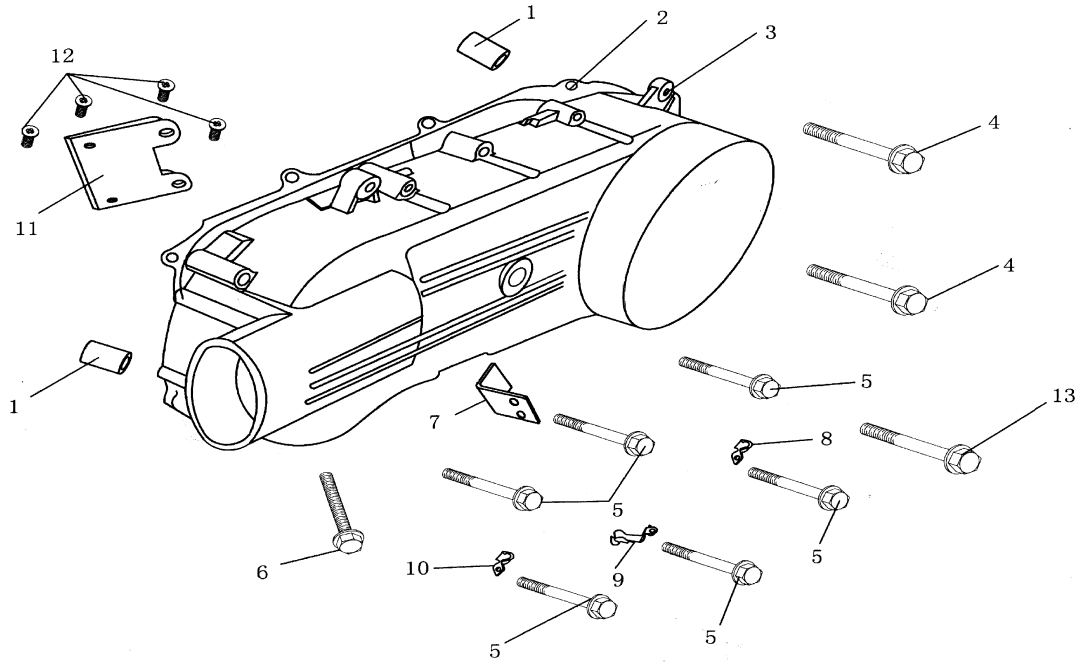
NO.	PART CODE	DESCRIPTION	QTY
1	14100-GY57-0000	CAM GEAR COMP.	1
2	14401-GY57-0000	TIMING CHAIN	1
3	14510-GY57-0000	CHAIN TENSION STUD	1
4	14610-GY57-0000	CHAIN GUIDED ROD	1
5	14531-GY57-0000	SCERW,CHAIN TENSION STUD(WITH O-RING)	1
6	90308-GY57-0000	O-SEAL 15*1.5	1

# OIL PUMP



NO.	PART CODE	DESCRIPTION	QTY
1	96001-06012-080	FLANGE BOLT M6*12	2
2	15711-GY57-0000	OIL DIVISION PLATE	1
3	94050-06080-000	FLANGE BOLT M6(WHITE)	1
4	15133-GY57-0000	DRIVING GEAR,OIL PUMP	1
5	15141-GY57-0000	DRIVING CHAIN,OIL PUMP	1
6	15101-GY57-0000	OIL PUMP SHAFT	1
7	96001-06025-080	FLANGE BOLT M6*25(WHITE)	2
8	15100-GY57-0000	OIL PUMP ASSY	1

## LEFT COVER

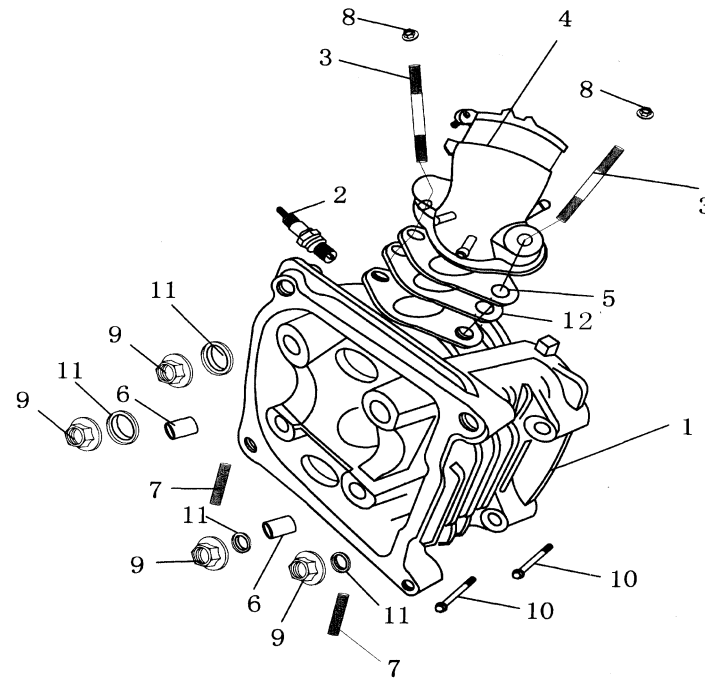


NO.	PART CODE	DESCRIPTION	QTY
1	94301-08140-000	LOCATING DEWEL 8*14	2
2	11395-GY57-0000	GASKET,L.CRANKCASE	1
3	11341-GY57-0000	L.CRANKCASE COVER(BLACK)	1
4	96001-06065-080	FLANGE BOLT M6*65(CHROME)	2
5	96001-06040-080	FLANGE BOLT M6*40(CHROME)	7
6	96001-06012-080	FLANGE BOLT M6*12	1
7	11382-GY57-0000	MAIN STAND PLATE	1

8	11384-GY57-0000	BRAKE CABLE CLAMP	1
9	11385-GY57-0000	THROTTLE CABLE CLAMP	1
10	11381-GY57-0000	CLAMP	1
11	11386-GY57-0000	VENT GUIDE BOARD	1
12	11387-GY57-0000	TAPPING SCREW M4*8(COLOR)	4

38

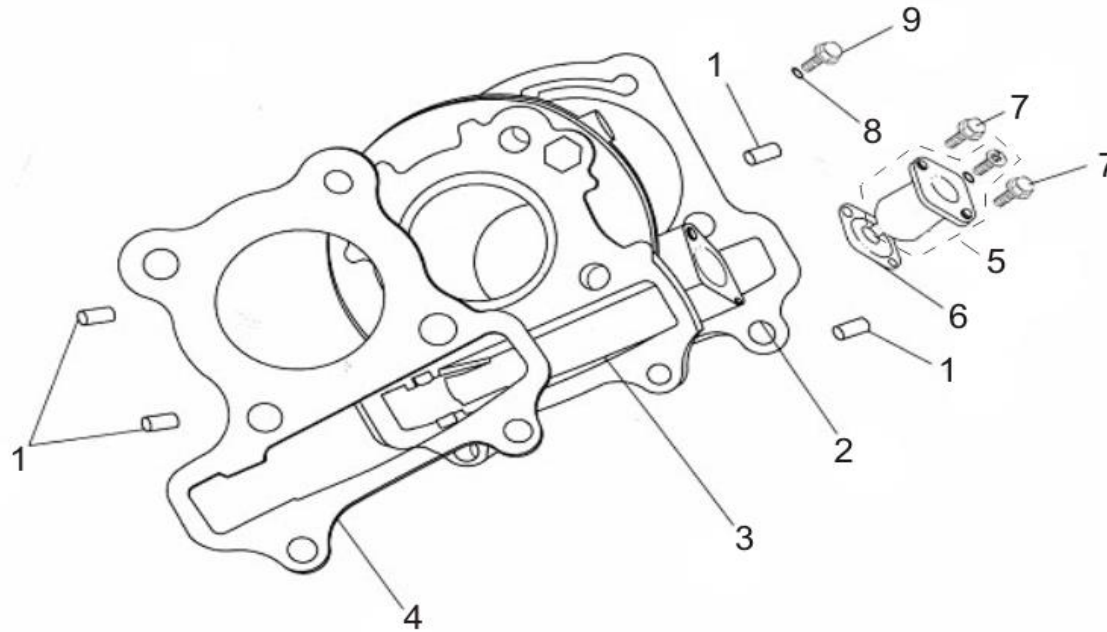
## CYLINDER HEAD



NO.	PART CODE	DESCRIPTION	QTY
1	12200-GY57-0000	CYLINDER HEAD COMP.	1
2	98056-GY57-0000	SPARK PLUG	1



## CYLINDER



NO.	PART CODE	DESCRIPTION	QTY
1	94301-10160-000	LOCATING DEWEL 10*16	4
2	12191-GY57-0000	GASKET,CYLINDER	1
3	12100-GY57-0000	CYLINDER BODY	1
4	12251-GY57-000	GASKET,CYLINDER HEAD	1
5	14520-GY57-0000	CHAIN ADJUSTOR ASSY	1
6	14523-GY57-0000	GASKET,CHAIN ADJUSTOR	1
7	96001-06025-000	FLANGE BOLT M6*25(CHROME)	2
8	12102-GY57-0000	GASKET 6	1
9	96001-06014-000	FLANGE BOLT M6*14(WHITE)	1



























































