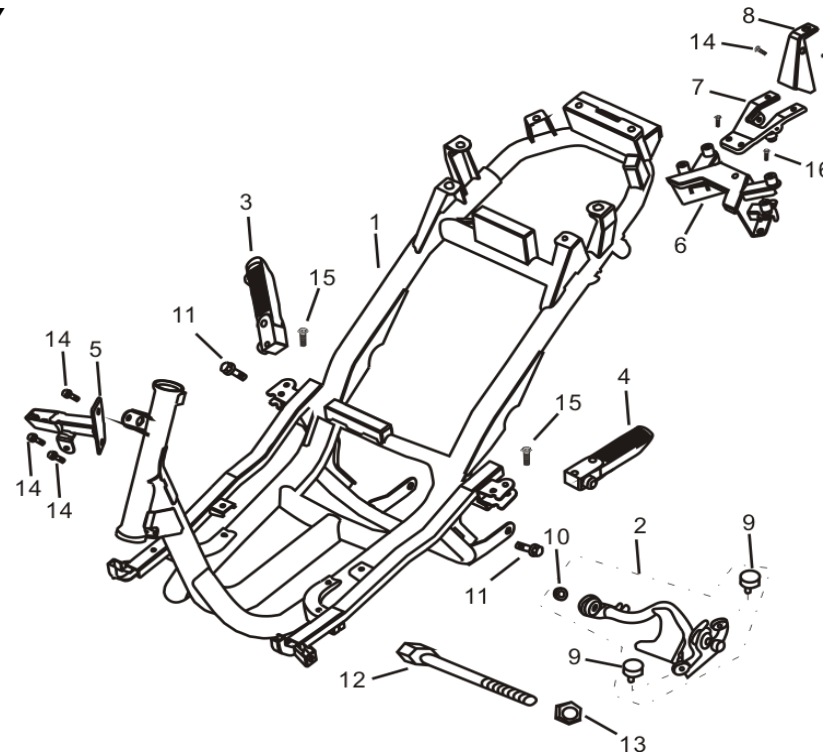


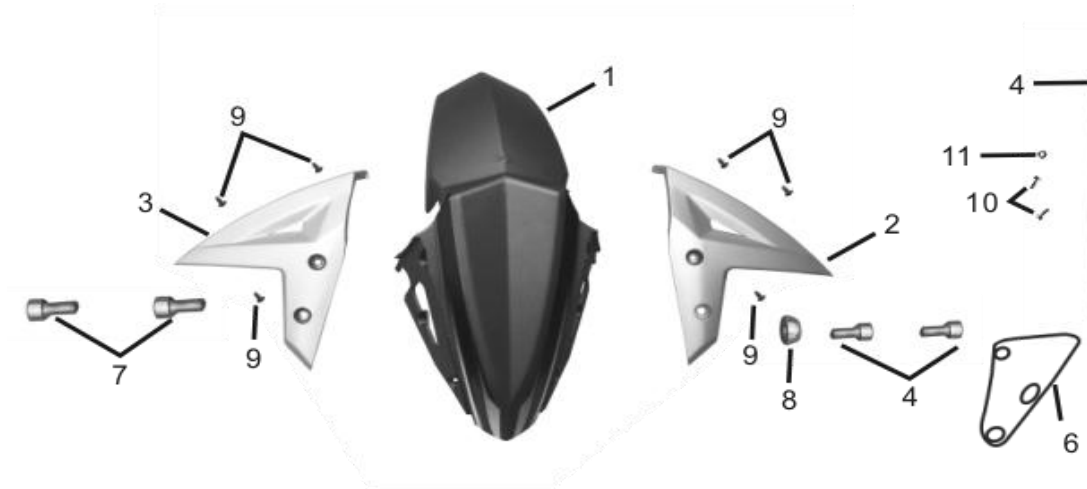
FRAME BODY



NO.	PART CODE	DESCRIPTION
1	50100-MT10-000A	FRAME BODY(50CC 2STROKE)
1	50100-MT10-000B	FRAME BODY(50CC 4STROKE)
1	50100-MT10-000C	FRAME BODY (125CC)
2	50350-MT10-000A	HANGER OF ENGINE(2STROKE)
2	50350-MT10-000B	HANGER OF ENGINE(4STROKE)
2	50350-MT10-000C	HANGER OF ENGINE (125CC)
3	5071A-MT10-0000	RIGHT FOOTREST
4	5071B-MT10-0000	LEFT FOOTREST
5	64315-MT10-0000	BRACKET,COVER ASSY FR GRILL
6	50101-MT10-0000	REAR HANDRAIL BRACKET
7	50102-MT10-0000	DECORATED BOARD BRACKET
8	81205-MT10-0000	REAR RACK BRACKET
9	50352-MT10-000A	CUSHION OF ENGINE HANGER(50CC 2STROKE)

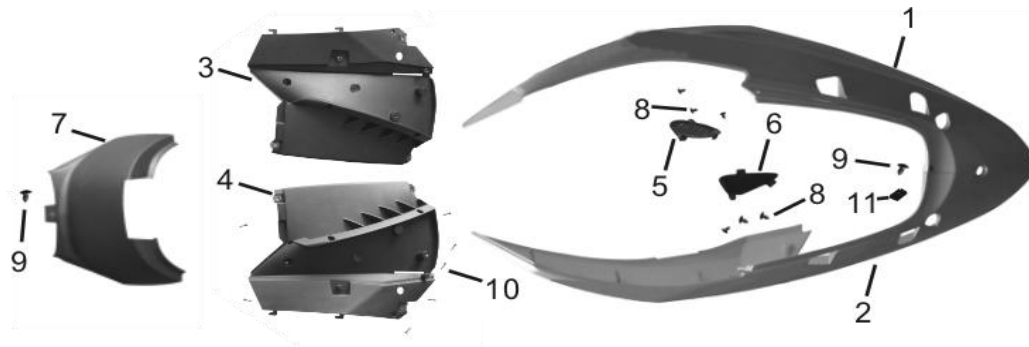
9	50352-MT10-000B	CUSHION OF ENGINE HANGER(50CC 4STROKE)
9	50352-MT10-000C	CUSHION OF ENGINE HANGER (125CC)
10	50356-MT10-0000	BUSH,ENGINE HANGER
11	96001-10050-000	FLANGE BOLT M10x1.25x50
12	90117-10235-000	FLANGE BOLT M12x1.25x295
13	90304-MT10-0000	LOCKNUT M10*1.25
14	96001-06012-000	FLANGE BOLT M6*12
15	96001-06032-000	FLANGE BOLT M6*32
16	96001-06016-000	FLANGE BOLT M6*16

FENDER



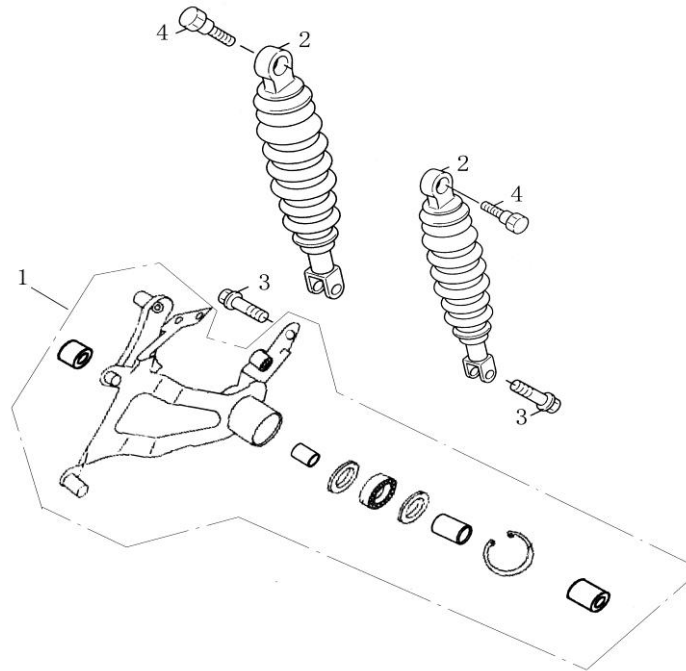
NO.	PART CODE	DESCRIPTION
1	61100-MT10-0MDR	FRONT FENDER(BLUEJJ-937)
1	61100-MT10-0RED	FRONT FENDER (FOR RED-931&WHITE COLOR)
2	61101-MT10-0000	LEFT BRACKET,FR.FENDER
3	61102-MT10-0000	RIGHT BRACKET,FR.FENDER
4	80100-MT10-000A	FENDER RR TIRE(50CC 2T)
4	80100-MT10-000B	FENDER RR TIRE(50CC 4T)
4	80100-MT10-000C	FENDER RR TIRE(125CC)
5	80101-MT10-000B	RIGHT BRACKET,FENDER RR TIRE(50CC 4T)
5	80101-MT10-000C	RIGHT BRACKET,FENDER RR TIRE(125CC)
6	80102-MT10-000B	LEFT BRACKET,FENDER RR TIRE(50CC 4T)
6	80102-MT10-000C	LEFT BRACKET,FENDER RR TIRE(125CC)
7	96002-06020-000	SOCKET HEAD SCREW M6*20
8	61105-MT10-0000	WASHER
9	90903-04012-000	TAPPING SCREW ST4.2*12
10	90111-06014-000	STEP BOLT M6*14
11	90111-06014-000	FLANGE NUT M6*14

SIDE PANEL



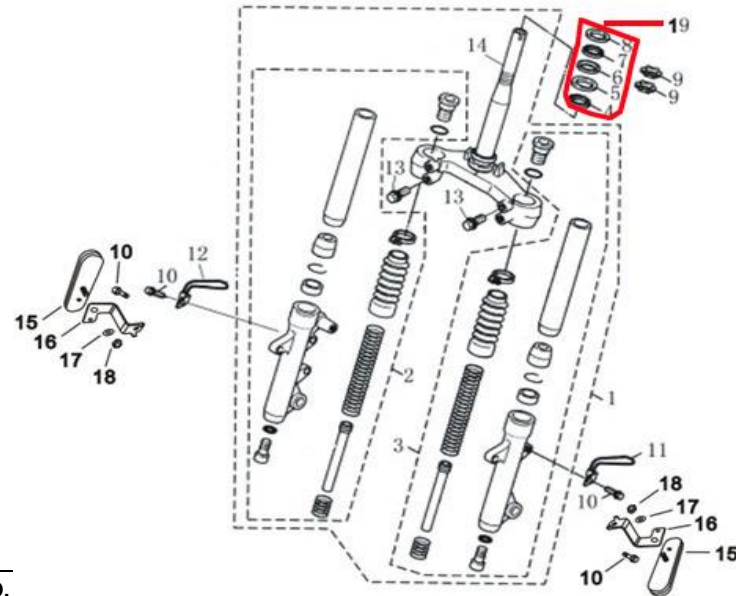
NO.	PART CODE	DESCRIPTION
1	83500-MT10-0MDR	COVER R BODY(BLUEJJ-937)
1	83500-MT10-0RED	COVER R BODY(RED-931)
1	83500-MT10-0BIL	COVER R BODY(WHITE951)
2	83600-MT10-00RD	COVER L BODY(RED)
3	83610-MT10-00RD	DECORATED BOARD,COVER R BODY(BLACK)
4	83510-MT10-00RD	DECORATED BOARD,COVER L BODY(BLACK)
5	50327-MT10-0000	RIGHT GRILL
6	50328-MT10-0000	LEFT GRILL
7	80151-MT10-0000	COVER CENTER
8	90903-04012-000	TAPPING SCREW ST4.2*12
9	93500-06014-000	SCREW M6*14
10	90903-04014-000	TAPPING SCREW ST4.2*14
11	90302-04000-000	NUT SPRING 4MM

REAR SHOCK ABSORBER



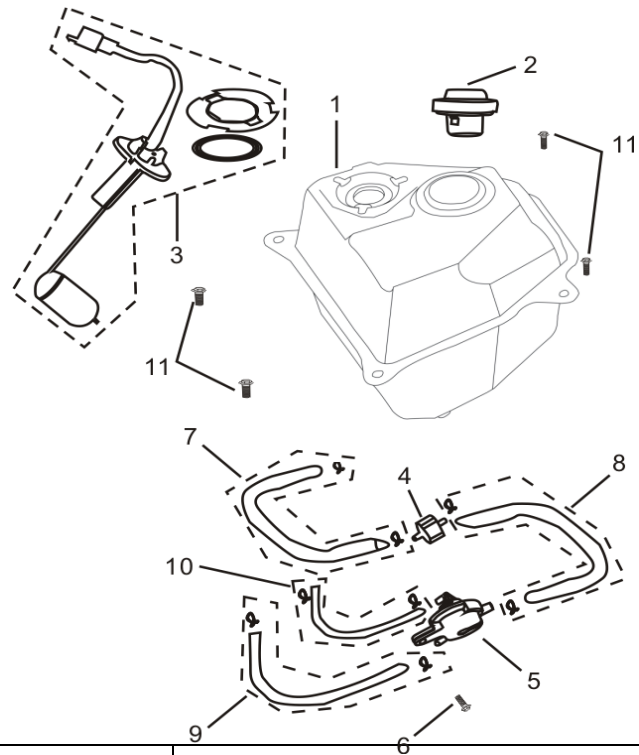
NO.	PART CODE	DESCRIPTION
1	52000-MT10-0000	RR.ARM COMP.
2	52400-MT10-0000	RR.SHOCK ABSORBER ASSY. Set
3	95701-08030-000	BOLT
4	95801-10035-000	FLANGE BOLT M10x35

FRONT FORK



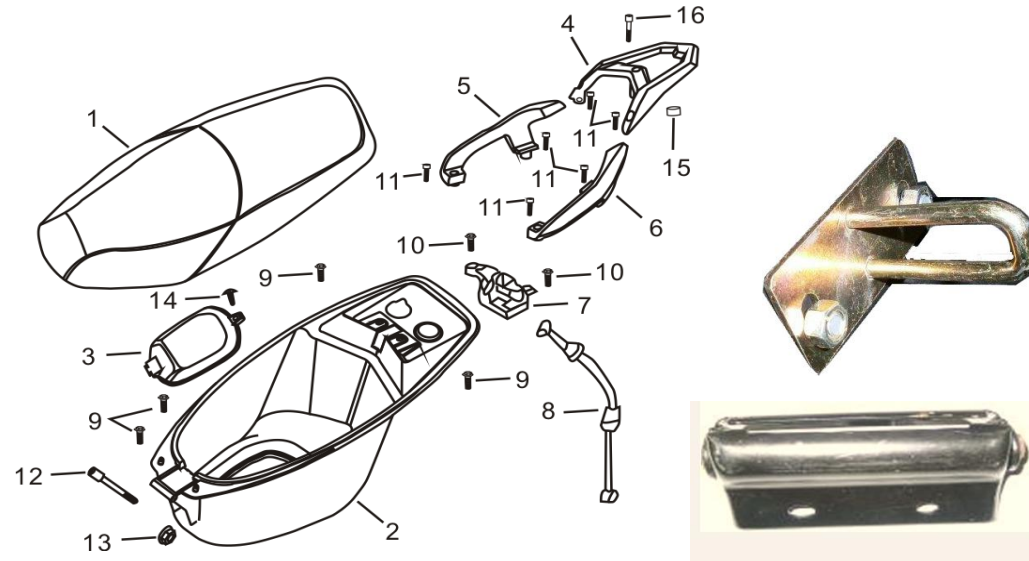
NO.		
1	51000-MT10-0000	FR.FORK ASSY.
2	51400-MT10-0000	R.FR.FORK ASSY.
3	51500-MT10-0000	L.FR.FORK ASSY.
4	96211-08000-000	BALL ASSY.,LOWER
5	53221-MT10-0000	BOWL 2
6	53222-MT10-0000	BOWL 2
7	96211-05000-000	BALL ASSY.,UPPER
8	53223-MT10-0000	BOWL 1
9	50306-MT10-0000	TOP NUT,STEERING STEM
10	96006-06012-000	FLANGE BOLT M6*12
11	53156-MT10-0000	CLAMP
12	53157-MT10-0000	FUEL LINE CLIP,DISK BRAKE
13	95801-08040-000	HEXAGONAL BOLT M8*40
14	53200-MT10-0000	STEERING STEM
15	33742-MT10-0000	FRONT REFLECTOR
16	33743-MT10-0000	BRACKET,FRONT REFLECTOR
17	90440-MT10-0600	WASHER
18	94051-06000-000	NUT M6
19	53220-MT10-0000	STEERING bearing

FUEL TANK



NO.	PART CODE	DESCRIPTION
1	17500-MT10-0000	FUEL TANK
2	1762A-MT10-0000	CAP,FUEL TANK
3	3780A-MT10-0000	FUEL SENSOR ASSY
4	1691A-MT10-0000	FUEL FILTER
5	16700-MT10-0000	FUEL PUMP ASSY
6	96001-06016-000	FLANG BOLT M6*16
7	16911-MT10-0000	FUEL TUBE A
8	16912-MT10-0000	FUEL TUBE B
9	16913-MT10-0000	FUEL TUBE C
10	17682-MT10-0000	TUBE ASSY FUEL VACUUM
11	96001-06014-000	FLANG BOLT M6*14

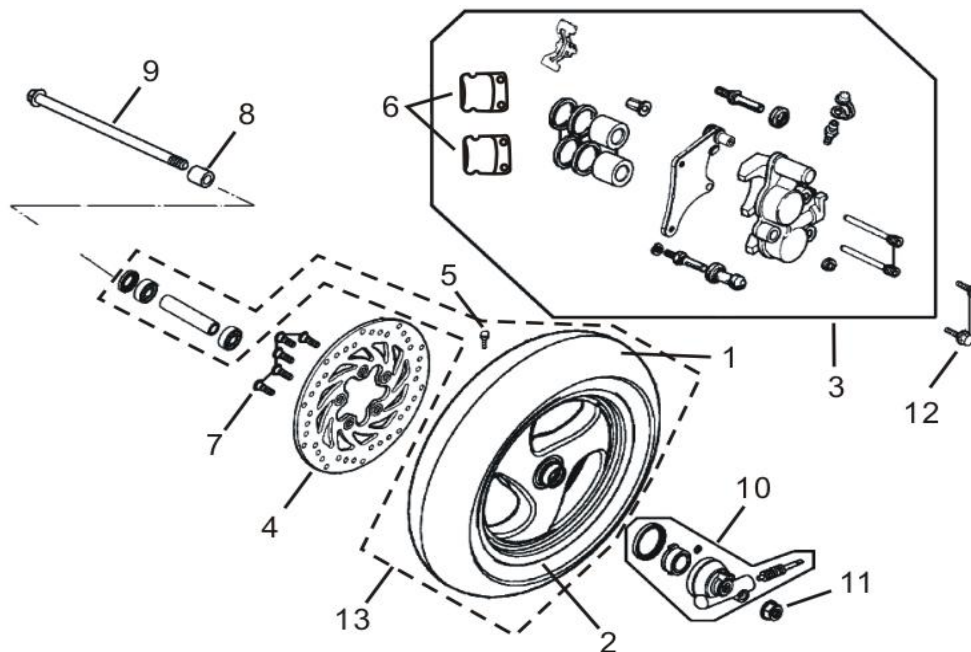
SEAT ASSEMBLY



18

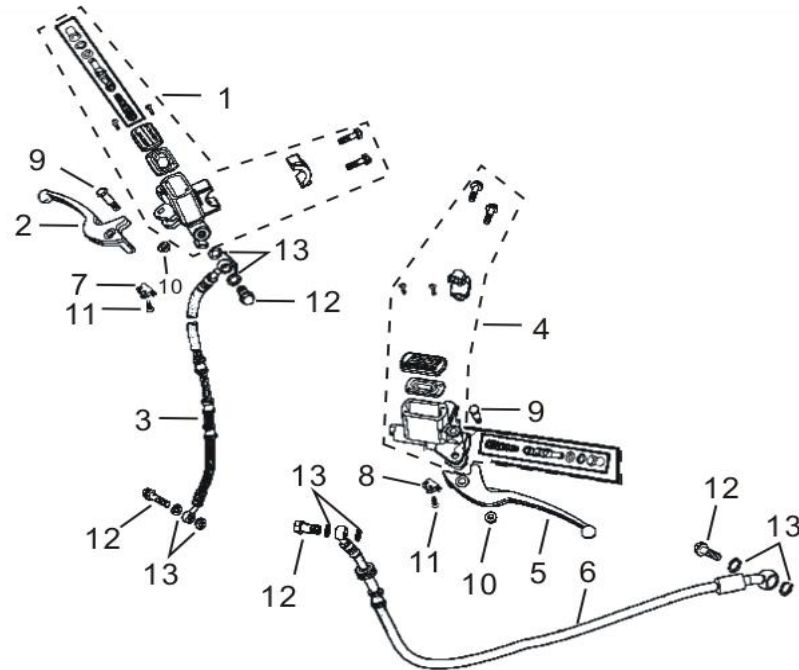
NO.	PART CODE	DESCRIPTION
1	77200-MT10-0000	SEAT
2	81260-MT10-0000	LUGGAGE BOX ASSY
3	81251-MT10-0000	LID CARB MAINT
4	1020A-MT10-0000	CARRIER ASSY RR
5	8121A-MT10-0000	RIGHT REAR HANDRAIL
6	8121B-MT10-0000	LEFT REAR HANDRAIL
7	77235-MT10-0000	LOCK BASE OF SEAT
8	77240-MT10-0000	CABLE OF SEAT LOCK
9	96001-06014-0000	FLANG BOLT M6*14
10	96001-06014-0000	FLANGE BOLT M6*12
11	96002-06025-0000	SOCKET HEAD SCREW M6*25
12	77210-MT10-0000	SEAT PIN
13	94050-08000-0000	FLANGE NUT M8
14	96003-08014-0000	BOLT M8*14
15	81206-MT10-0000	COLLAR,CARRIER ASSY
16	96002-06075-0000	SOCKET HEAD SCREW M6*75
17	77239-MT10-0000	seat lock pothook
18	77238-MT10-0000	Front stay seat comp

FRONT WHEEL



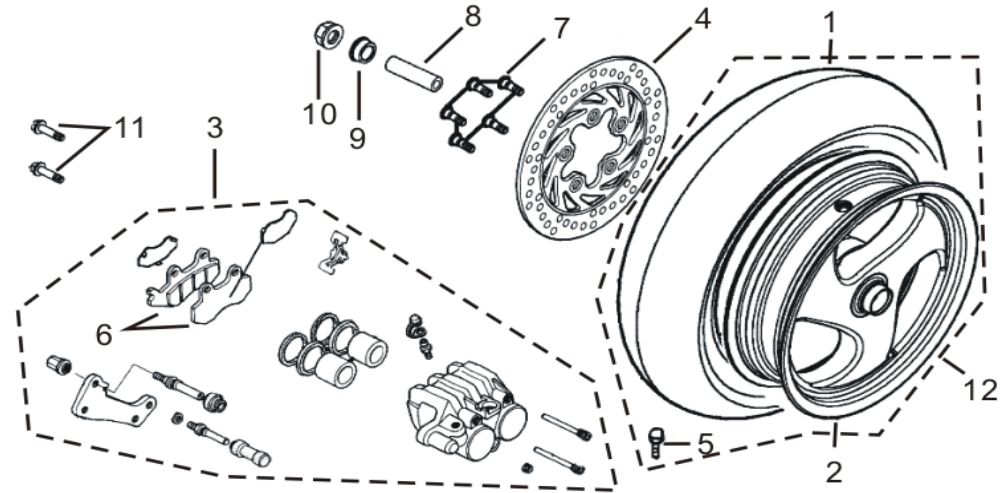
NO.	PART CODE	DESCRIPTION
1	44710-MT10-0000	FRONT TIRE
2	44650-MT10-0000	FRONT RIM (BLACK)
3	45200-MT10-0000	CALIPER ASSY FR
4	45351-MT10-0000	DISK FR BRAKE
5	42753-MT10-0000	VALVE RIM
6	45150-MT10-0000	RR.BRAKE PAD
7	90105-08024-000	BOLT M8*24
8	44311-MT10-0000	COLLAR RR AXLE
9	44301-MT10-0000	AXLE FR WHEEL
10	44800-MT10-0000	GEAR BOX ASSY FOR CALCULATE SPEED
11	90306-12000-000	FLANGE NUT M12
12	90122-08032-000	FLANGE BOLT M8*32

BRAKE SYSTEM



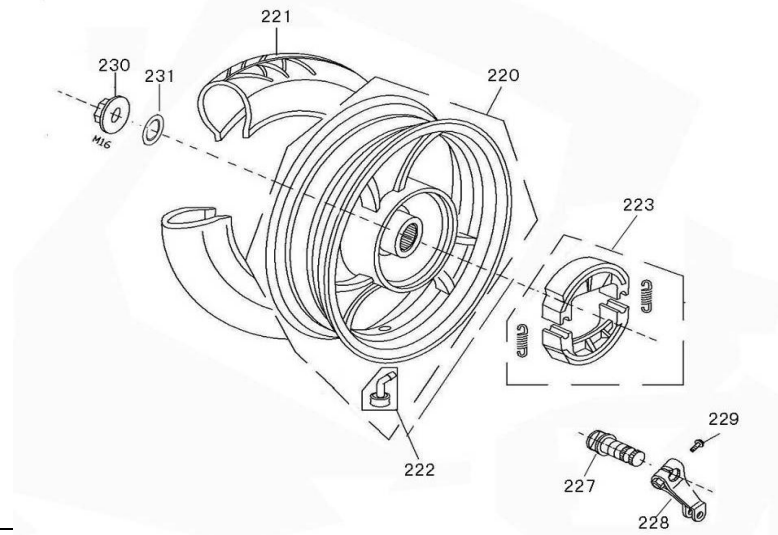
NO.	PART CODE	DESCRIPTION
1	45530-MT10-0000	CYLINDER SET FR MASTER
2	53175-MT10-0000	LEVER R
3	45126-MT10-0000	HOSE ASSY FR BRAKE
4	43530-MT10-0000	CYLINDER SET RR MASTER
5	53178-MT10-0000	LEVER L
6	43126-MT10-0000	HOSE ASSY RR BRAKE
7	35340-MT10-0000	SWITCH ASSY FR BRAKE
8	35350-MT10-0000	SWITCH ASSY RR BRAKE
9	90114-MT10-0000	BOLT HANDLE LEVER
10	94050-06000-000	FLANGE NUT M6
11	93893-04012-000	SCREW WASHER M4*12
12	90145-10022-000	OIL BOLT M10*22
13	90545-MT10-0000	WASHER,OIL BOLT
14	20531-MT10-0000	Front brake assy.(include CALIPER ASSY FR,
15	53121-MT10-0000	Rear brake assy. (include:CALIPER ASSY RR,

REAR WHEEL----REAR DISK BRAKE



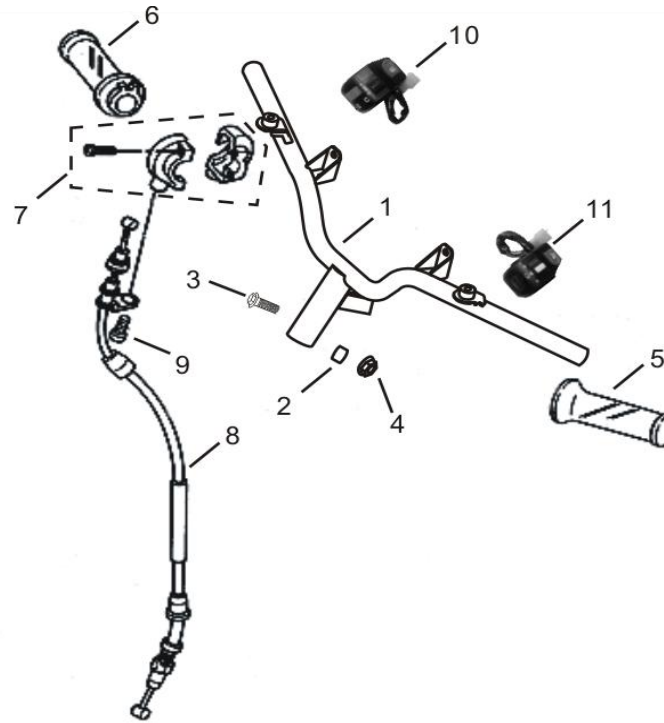
NO.	PART CODE	DESCRIPTION
1	42710-MT10-0000	REAR TIRE
2	42601-MT10-0000	REAR RIM (BLACK)
3	43100-MT10-0000	CALIPER ASSY RR
4	43351-MT10-0000	REAR BRAKE DISK
5	42753-MT10-0000	VALVE RIM
6	43150-MT10-0000	RR.BRAKE PAD
7	90105-08024-000	BOLT M8*24
8	42311-MT10-0000	COLLAR RR AXLE A
9	42312-MT10-0000	COLLAR RR AXLE SIDE
10	90305-16000-000	FLANGE NUT M16
11	90131-08035-000	FLANGE BOLT M8*35

REAR WHEEL----REAR DRUM BRAKE



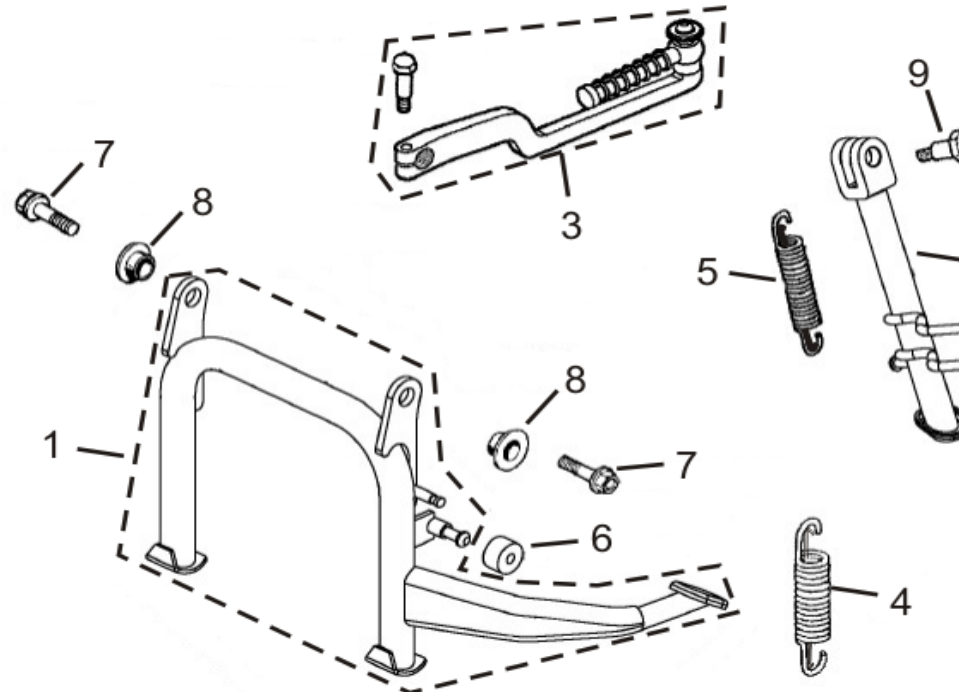
NO.	PART CODE	DESCRIPTION
221	42710-MT10-0000	REAR TIRE
220	42601-MT10-000A	REAR RIM (drum brake)
223	43100-MT10-000A	REAR BRAKE SHOE
222	42753-MT10-0000	VALVE RIM
227	43150-MT10-000A	CAM RR BRK
228	90105-08024-000A	ARM COMP RR BRAKE
229	42311-MT10-000A	BOLT FLANGER
230	42312-MT10-000A	NUT
231	90305-16000-000A	SPG CANSHER

HANDLE BAR



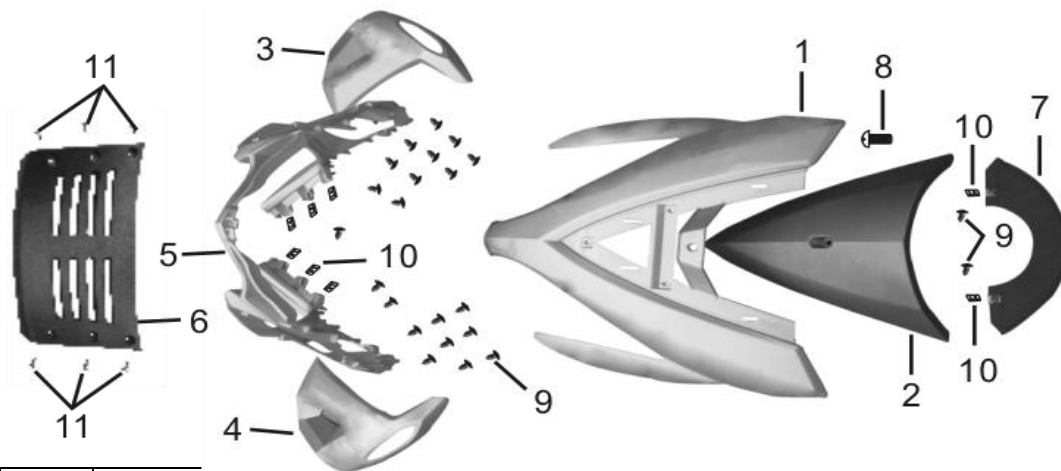
NO.	PART CODE	DESCRIPTION
1	53100-MT10-0000	HANDLE BAR
2	53125-MT10-0000	BUSH,HANDLE BAR
3	90106-10045-000	FLANGE BOLT M10*45
4	90304-10000-000	FLANGE NUT M10*1.25
5	53166-MT10-0000	L.GRIP,HANDLE
6	53140-MT10-0000	THROTTLE GRIP,HANDLE
7	53160-MT10-0000	THROTTLE BRACKET
8	17910-MT10-0000	THROTTLE CABLE
9	93500-05010-000	CROSS ROUNDHEAD SCREW M5*10
10	3515A-MT10-0000	SWITCH,HANDLEBAR R.
11	3520A-MT10-0000	SWITCH,HANDLEBAR L.

STAND ASSY



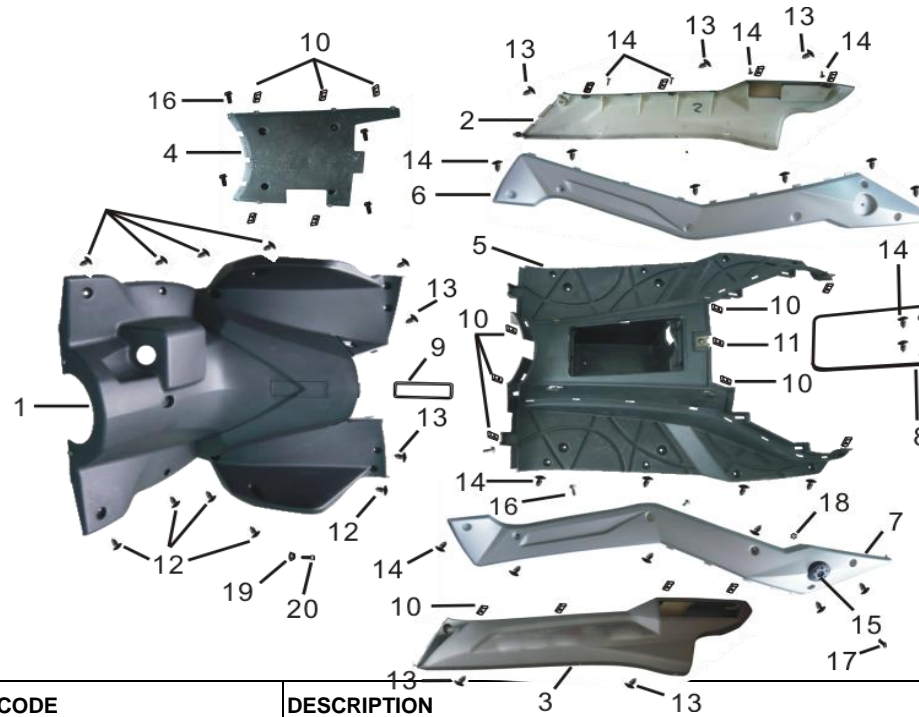
NO.	PART CODE	DESCRIPTION
1	5050A-MT10-0000	STAND ASSY MAIN
2	50530-MT10-0000	BAR SIDE STAND
3	28300-GY57-0000	KICK STARTER
4	50550-MT10-0000	SPRING OF MAIN STAND
5	95014-MT10-0000	SPRING OF SIDE STAND
6	50505-MT10-0000	RUBBER STOPPER MAIN
7	95801-10025-000	FLANGE BOLT M10*25
8	50502-MT10-0000	COLLAR MAIN STAND
9	90108-MT10-0000	SCREW SIDE STAND PIVOT

FRONT COVER



NO.	PART CODE	DESCRIPTION
1	64302-MT10-00RD	FRONT COVER(RED)
1	64302-MT10-00WH	FRONT COVER(WHITE)
1	64302-MT10-00BL	FRONT COVER(BLUE)
2	64307-MT10-0000	DECORATED BOARD FRONT COVER
3	64304-MT10-00RD	RIGHT DECORATED BOARD,COVER FRONT(RED)
3	64304-MT10-00WH	RIGHT DECORATED BOARD,COVER FRONT(WHITE)
3	64304-MT10-00BL	RIGHT DECORATED BOARD,COVER FRONT(BLUE)
4	64303-MT10-00RD	LEFT DECORATED BOARD,COVER FRONT (RED)
4	64303-MT10-00WH	LEFT DECORATED BOARD,COVER FRONT(WHITE)
4	64303-MT10-00BL	LEFT DECORATED BOARD,COVER FRONT(BLUE)
5	64301-MT10-00RD	FRONT COVER BRACKET (RED)
5	64301-MT10-00WH	FRONT COVER BRACKET(WHITE)
5	64301-MT10-00BL	FRONT COVER BRACKET(BLUE)
6	64400-MT10-0000	FRONT FENDER INNER
7	64302-MT10-0000A	LID COVER FR
8	93500-06014-000	SCREW M6*14
9	90903-04016-000	TAPPING SCREW ST4.2*16
10	90302-04000-000	NUT SPRING 4MM
11	90903-04016-000	TAPPING SCREW ST4.8*16

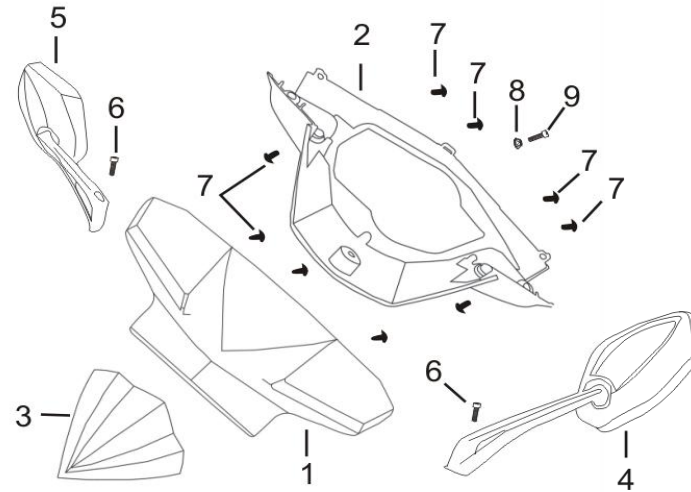
FLOOR PANEL



NO.	PART CODE	DESCRIPTION
1	81131-MT10-0000	LEG SHIELD
2	64305-MT10-0000	SKIRT R SIDE (BLACK)
3	64306-MT10-0000	SKIRT L SIDE
4	50613-MT10-0000	COVER UNDER
5	64310-MT10-0000	FLOOR PANEL
6	64311-MT10-0000	FLOOR PANEL RIGHT GUARD PLATE
7	64312-MT10-0000	FLOOR PANEL LEFT GUARD PLATE
8	50326-MT10-0000	COVER BATTERY
9	81132-MT10-0000	LID LEG SHIELD
10	90302-04000-000	NUT SPRING M4
11	90302-04000-000	NUT CLIP M6
12	90903-04014-000	TAPPING SCREW ST3.9*16
13	90903-04014-000	TAPPING SCREW ST4.2*12
14	90903-04014-000	TAPPING SCREW ST4.2*16

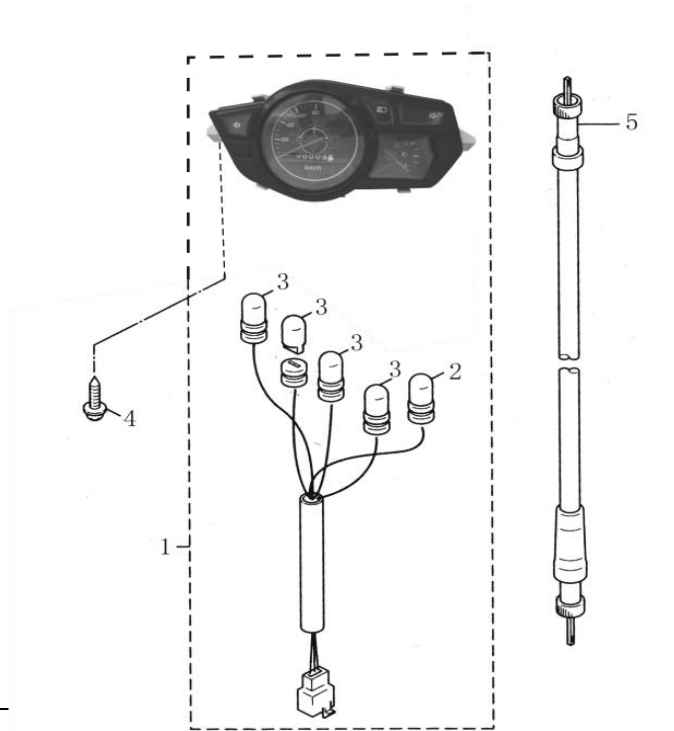
15	64308-MT10-0000	DECORATION PART
16	96001-06016-000	FLANGE BOLT M6*16
17	93500-06014-000	SCREW M6*14
18	93500-06000-000	NUT M6
19	61105-MT10-0000	WASHER
20	96002-06014-002	SOCKET HEAD SCREW M6*14

HANDLE BAR PANEL



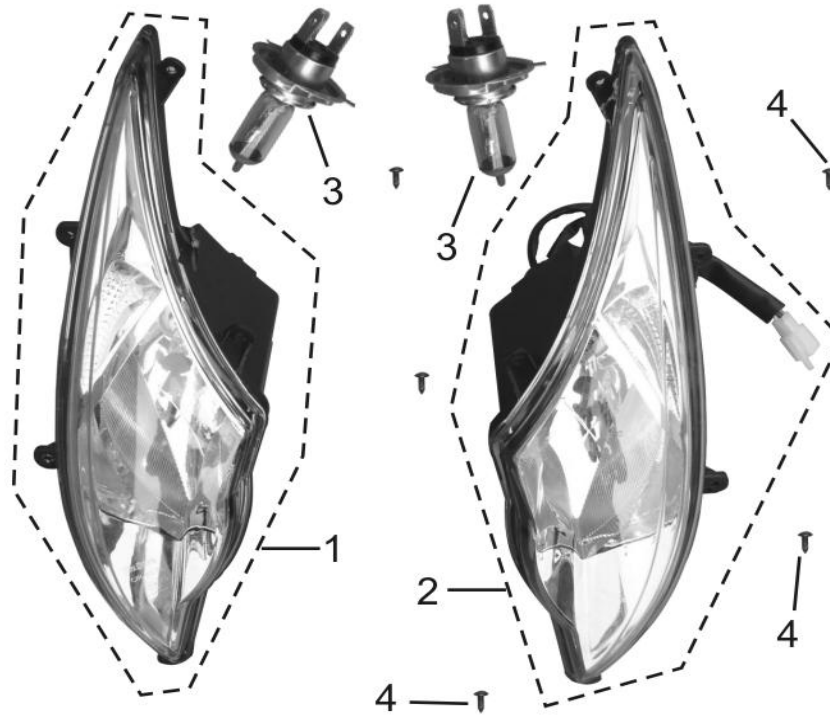
NO.	PA	
1	53205-MT10-0000	COVER FR HANDLE
2	53206-MT10-0000	COVER RR HANDLE
3	53208-MT10-0000	DECORATED BOARD FR HANDLE
4	88120-MT10-0000	MIRROR ASSY L BACK
5	88110-MT10-0000	MIRROR ASSY R BACK
6	96002-06020-000	SOCKET HEAD SCREW M6*25
7	93903-01014-000	TAPPING SCREW M3.9*14
8	53209-MT10-0000	WASHER
9	96002-05015-000	SOCKET HEAD SCREW M5*15

SPEEDOMETER



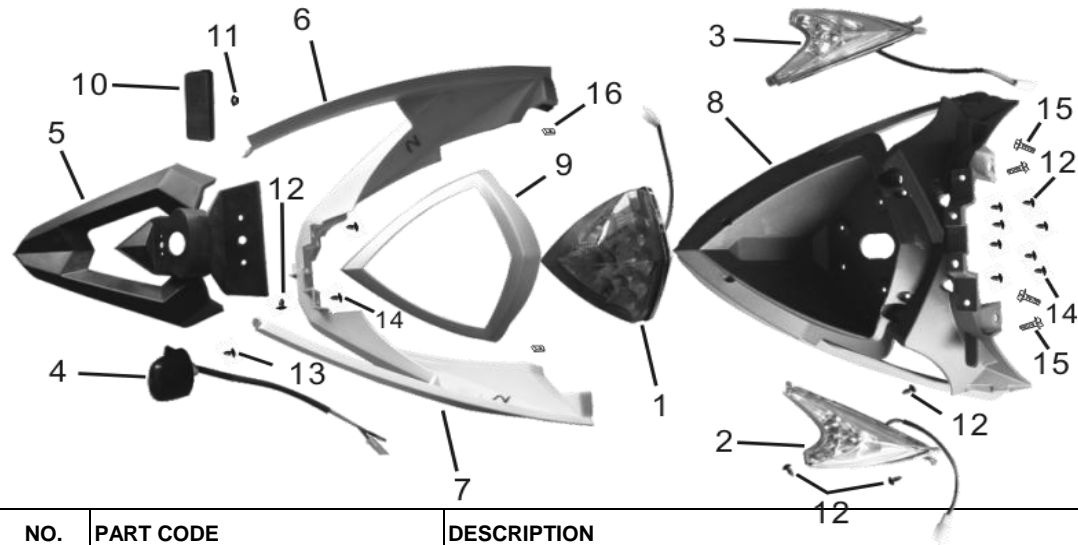
NO.	PART CODE	
1	37200-MT10-0000	SPEEDOMETER ASSY.(MILE/DOT)
2	37272-MT10-0000	SIGNAL INDICATOR LIGHT 12V,3.4W
3	37271-MT10-0000	SIGNAL INDICATOR LIGHT 12V,1.7W
4	90903-04016-000	TAPPING SCREW ST4.2*16
5	44831-MT10-0000	MILEAGE CABLE

HEADLIGHT



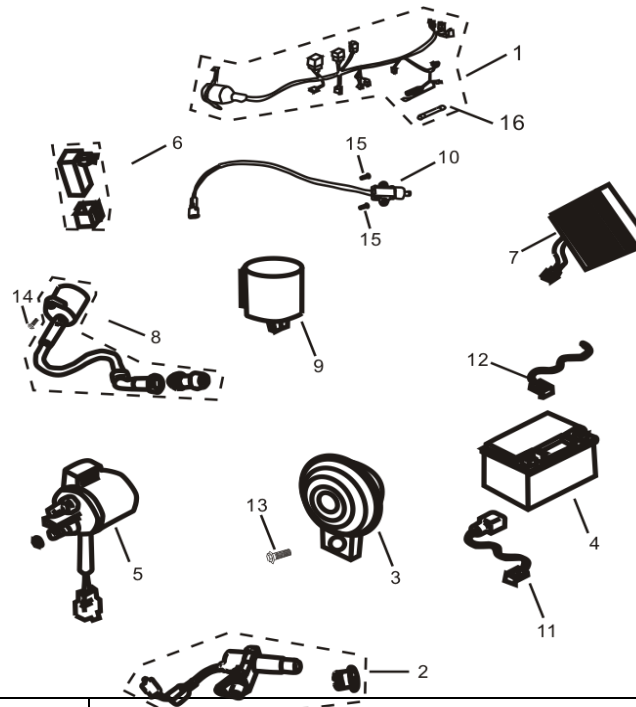
NO.		
1		
2	33102-MT10-0000	LEFT HEADLIGHT
3	34901-MT10-0000	BULB OF HEADLIGHT 12V 35/35W
4	90903-04012-000	TAPPING SCREW ST3.9*14

TAILLIGHT



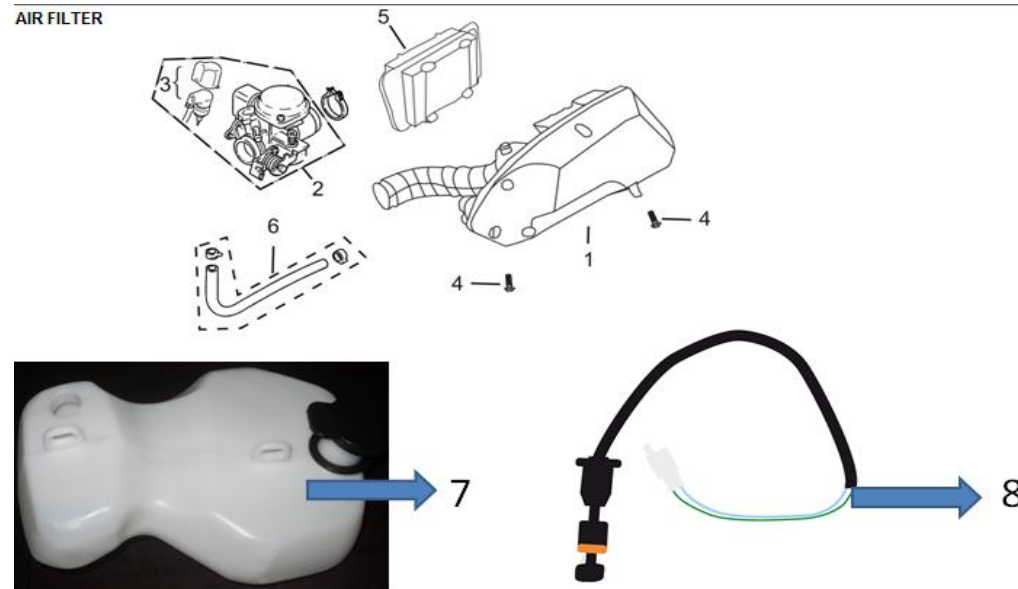
NO.	PART CODE	DESCRIPTION
1	33700-MT10-0000	TAILLIGHT ASSY
2	33600-MT10-0000	R.RR.TURNING LIGHT ASSY
3	33650-MT10-0000	L.RR.TURNING LIGHT ASSY
4	33750-MT10-0000	LICENSE PLATE LAMP
5	80105-MT10-0000	REAR FENDER
6	33702-MT10-0000	LEFT DECORATED BOARD TAILLIGHT
7	3370A-MT10-0000	RIGHT DECORATED BOARD TAILLIGHT
8	33703-MT10-0001	FITTING SEAT OF TAILLIGHT
9	33701-MT10-0000	DECORATED BOARD TAILLIGHT
10	33741-MT10-0000	REAR REFLECTOR
11	94050-06080-000	FLANGE NUT M6
12	90903-04014-000	TAPPING SCREW ST3.9*16
13	90903-04014-000A	TAPPING SCREW ST3.9*20
14	90903-04014-000B	TAPPING SCREW ST3.9*10
15	96001-06012-000	FLANGE BOLT M6*12
16	90302-04000-000	NUT SPRING M4

ELECTRICAL SYSTEM



NO.	PART CODE	DESCRIPTION
1	32100-MT10-0000	MAIN WIRE HARNESS
2	35101-MT10-0000	MAIN LOCK ASSY
3	38110-MT0-0000	HORN
4	31500-MT10-0000	BATTERY PREST
5	35850-MT10-0000	START RELAY
6	30400-MT10-0000	CDI
7	31600-MT10-0000	RECTIFIER
8	30510-MT10-0000	IGNITION COIL COMP.
9	38300-MT10-0000	FLASHER
10	35370-MT10-0000	KILL SWITCH
11	3241-MT10-0000	CATHODE LINE
12	32411-MT10-0000	ANODE LINE
13	96001-06012-000	FLANGE BOLT M6*12
14	90112-06016-000	STEP BOLT M6*16
15	93500-05012-000	SCREW M5*12
16	98200-15000-000	FUSE

AIR FILTER



NO.	PART CODE	DESCRIPTION
1	17200-MT10-0000	AIR FILTER
2	16100-MT10-0000	CARBURETOR
3	16035-MT10-0000	CONTROLLER TO INCREASE AIR THICKNESS
4	90114-06025-000	FLANGE BOLT M6*25
5	1721A-MT10-0000	ELEMENT,AIR FILTER

125cc--EXHAUST SYSTEM



NO.	PART CODE	DESCRIPTION
1	1830A-MT10-0000	EXHAUST MUFFLER ASSY.(CATALYZER)
2	18291-MT10-0000	GASKET OF EXHAUST PIPE
3	96001-08040-000	FLANGE BOLT M8*40
4	96001-08050-000	FLANGE BOLT M8*50
5	90301-08000-000	NUT M8,EXHAUST PIPE

50cc 2T options

EXHAUST SYSTEM



NO.	PART CODE	DESCRIPTION
1	1830A-MT10-000A	EXHAUST MUFFLER ASSY.(CATALYZER)
2	18291-MT10-000A	GASKET OF EXHAUST PIPE
3	96001-08040-000A	FLANGE BOLT M8*25
4	96001-08050-000A	FLANGE BOLT M8*37
5	90301-08000-000A	NUT M8,EXHAUST PIPE
6	90301-09000-000A	valve for the catalytic converter