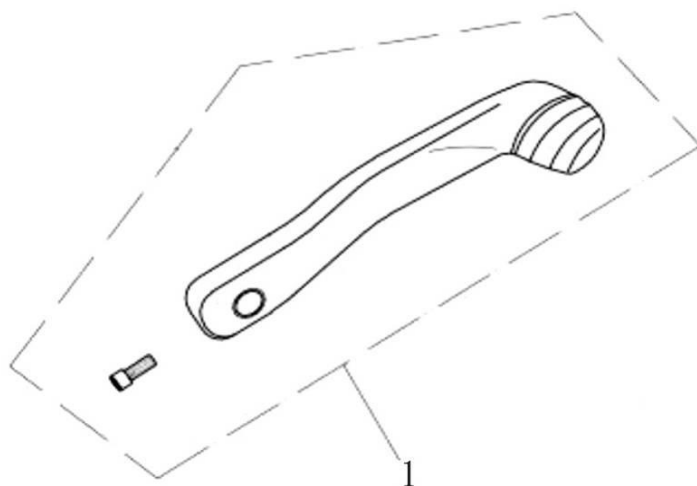


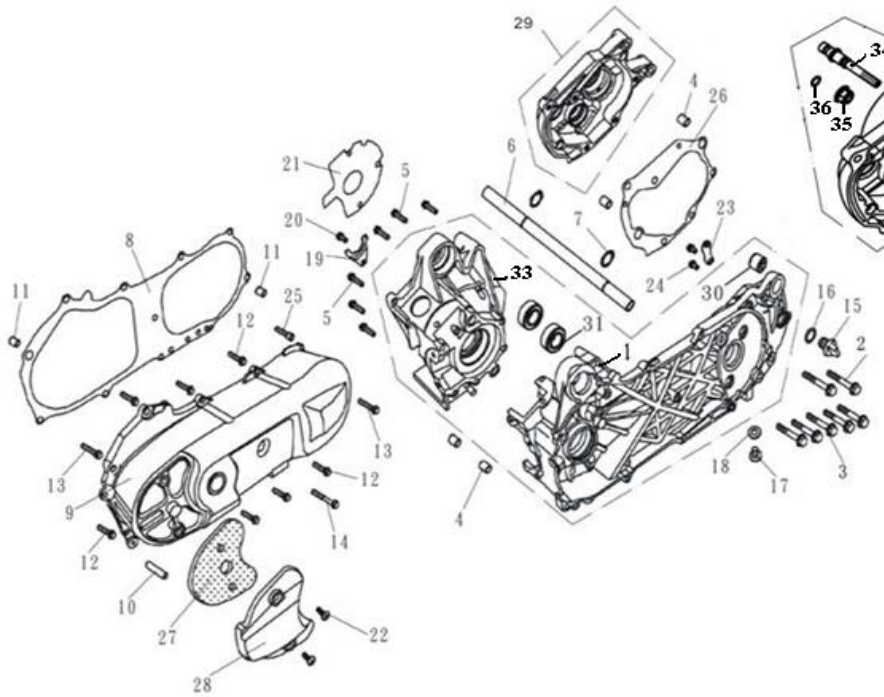
ENGINE ATTACHMENT



NO.	PART CODE	DESCRIPTION	QTY
1	28300-1E40-9000	ARM ASSY KICK STARTER	1

1

CRANK CASE

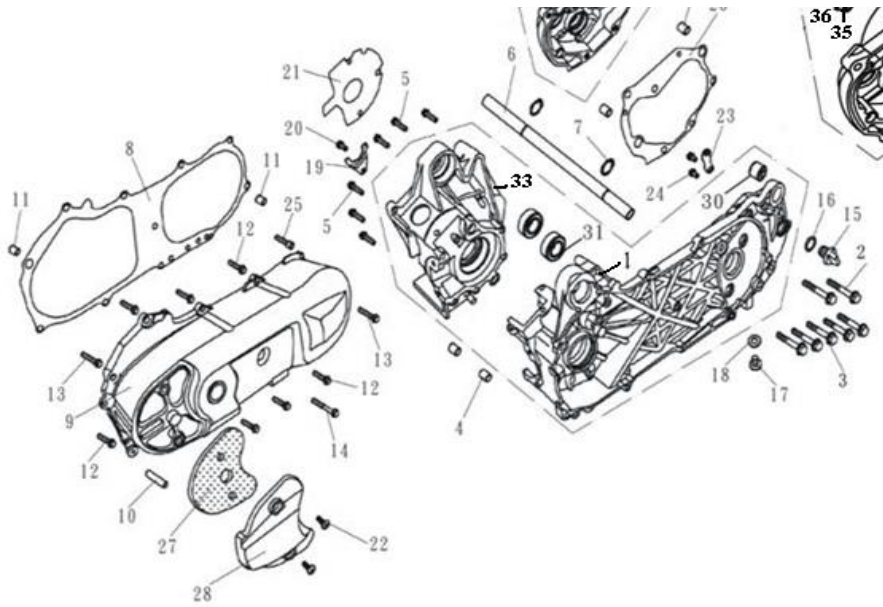


NO.	PART CODE	DESCRIPTION	QTY
1	11100-KEB7-9000	CRANK CASE COMP RIGHT	1
2	95701-08055-08	BOLT FLANGE 8*55	2
3	95701-08050-08	BOLT FLANGE 8*50	5
4	94301-12160	DOWEL PIN 12*16	4
5	95701-06035-08	BOLT FLANGE 6*35	6
6	90119-1E40-0000	AXLE, ENGINE MOUNT	1
7	94520-17000	CIR CLIP IN 17	2
8	11395-KFA6-9000	GASKET L COVER	1
9	11341-KFA6-9000	COVER L SIDE	1
10	11204-KEB7-9000	PIN SPG HOOK	1
11	94301-10140	DOWEL PIN 10*14	2
12	95701-06025-08	BOLT FLANGE 6*25	7
13	95701-06035-08	BOLT FLANGE 6*35	2
14	95701-06065-08	BOLT FLANGE 6*65	1
15	9052A-GY6-9500	BOLT ASSY DRAIN PLUG	1
16	91301-02008	O RING8*2	1
17	95701-08016-08	BOLT FLANGE 8*16	1
18	90474-08000	WASHER 8MM	1
19	15711-KDU-9000	OIL SEAL HOLDER	1
20	95701-06012-08	BOLT FLANGE 6*12	1

2

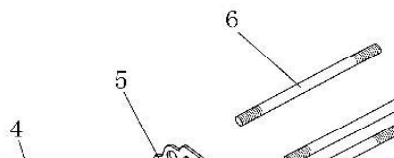
CRANK CASE

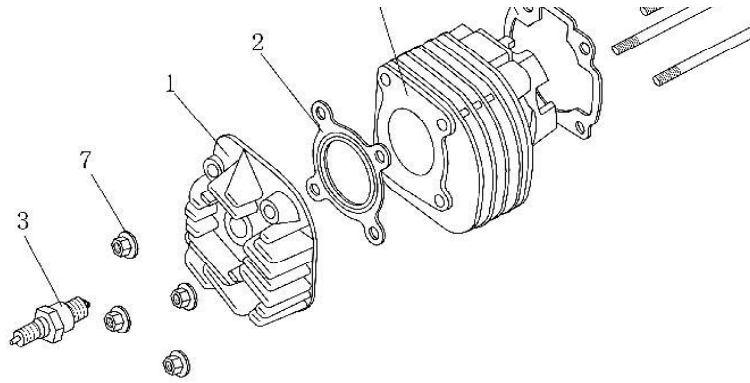




NO.	PART CODE	DESCRIPTION	QTY
21	11394-KDU-9000	GASKET	1
22	93500-06012-08	SCREW 6*12	2
23	90474-06000	WASHER 6MM	1
24	95701-06010-08	BOLT FLANGE 6*10	2
25	92501-06020-08	BOLT SPECILA 6*25	1
26	21395-KFA6-9000	GASKET MISSION CASE A	1
27	11346-1E40-0000	FILTER	1
28	11342-1E40-0000	COVER BOARD	1
30	11203-GC7-3010	UNDER RUBBER BUSH REAR CUSHION	1
31	91006-KBN-9010	BEARING 6003	2
32	21200-KFA6-3050	CASE ASSY MISSION	1
33	11100-KEB7-9000	CRANK CASE COMP RIGHT	1
34	43141-GAK-9000	CAM RR BRK	1
35	94050-08080	NUT M8	1
36	91352-KG8-8330-M2	O-RING	1

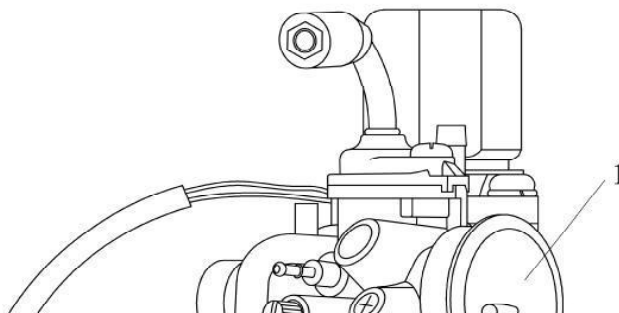
CYLINDER HEAD ASSY

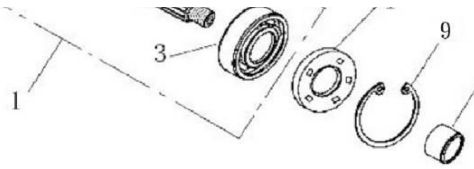




NO.	PART CODE	DESCRIPTION	QTY
1	12201-KFA6-E100	HEAD CYLINDER	1
2	12251-KEB7-9000	GASKET CYLINDER HEAD	1
3	98076-5871G-00	SPARK PLUG (BR8HSA)	1
4	12101-KFA6-E100	CYLINDER	1
5	12191-KEB7-9000	GASKET CYLINDER A	1
6	90031-KGBG-9010	BOLT A STUD	4
7	90202-GFF6-011	NUT FLANGE 7M/M	4

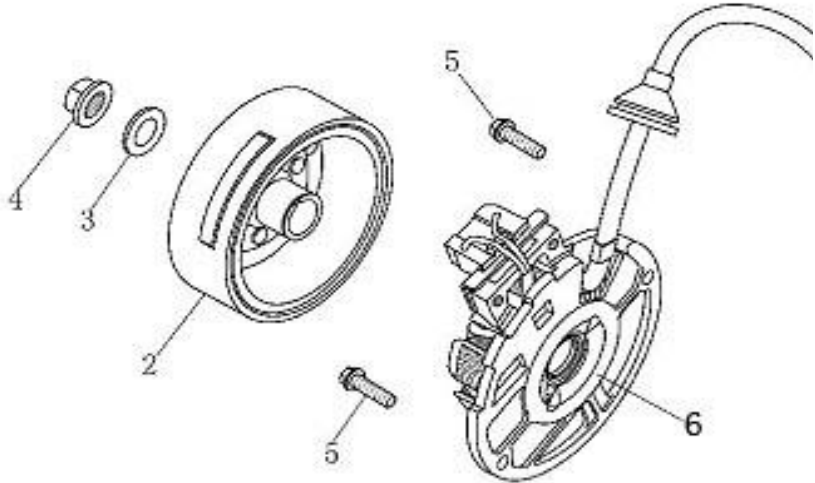
CARBURETOR





NO.	PART CODE	DESCRIPTION	QTY
1	13000-GKAK-921	CRANK SHAFT COMP	1
2	90741-0E35-001	KEY WOODRUFF	1
3	91001-GLW0-90A	BRG BALL RADIAL 6204 SPECIAL	2
4	91202-KNBN-92A	OIL SEAL 20×42×8	1
5	91201-KNBN-92A	OIL SEAL20×30×6	1
6	28125-1E40-0000	COLLAR	1
7	13101-GLW0-901	PISTON ASSY	1
8	91102-GLW0-009	BRG CON-ROD S. E.	1
9	94520-20000	CIR CLIP IN 20	1
10	13011-GLW0-90A	PISTON RING SET	1
11	13115-1F56-001	CLIP PISTON PIN 12MM	2
12	13111-1F66-001	PIN PISTON	1

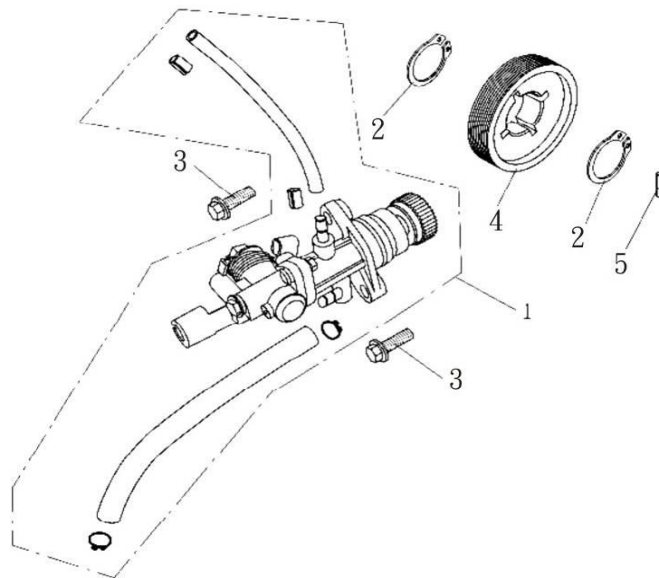
MAGNETO ASSY



NO.	PART CODE	DESCRIPTION	QTY
2	31110-GAK-9010	FLYWHEEL COMP	1
3	90122-GS3-0000	WASHER 12MM	1
4	94050-12080	NUT FLANGE 12MM	1
5	96001-06016-08	SCREW M6×16	2
6	31120-KBN-9010	STATOR COMP	1

7

OIL PUMP ASSY

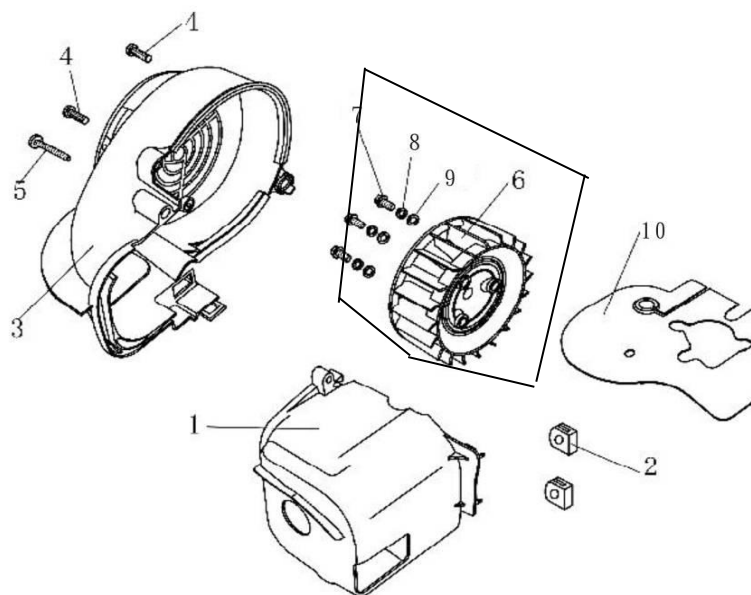


NO.	PART CODE	DESCRIPTION	QTY
-----	-----------	-------------	-----

1	15100-KFA1-9000	OIL PUMP ASSY	1
2	94511-19000	CIR CLIP EX 19	2
3	93500-05014-0H	SCREW WASHER 5*14	2
4	15200-1E40-0000	PUMP DRIVE GEAR	1
5	15205-1E40-0000	PIN	1

8

AIR COOLING SYSTEM

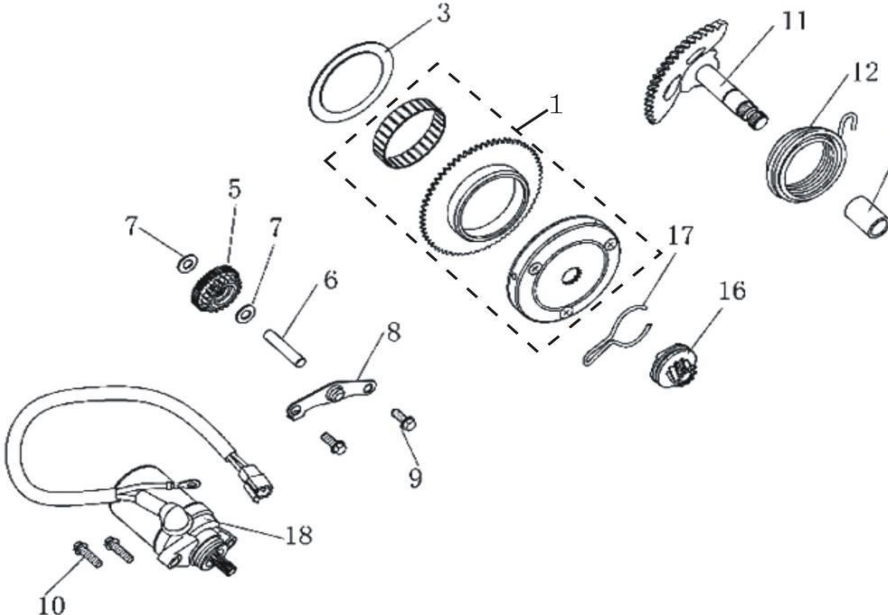


NO.	PART CODE	DESCRIPTION	QTY
1	1962A-KFA1-9100	SHROUD COMP	1
2	19625-KEE1-9000	GROMMET	2
3	19600-KDT-9000	COVER COMP FAN	1

4	95701-06025-08	BOLT FLANGE SH 6*20	2
5	93903-25040	SCREW TAPPING 5*40	1
6	19510-GW2-9010	FAN COMP COOLING	1
7	95701-06016-08	BOLT FLANGE SH 6*26	3
8	95901-06000	WASHER SPG	3
9	95801-06000	WASHER	3
10	19605-1E40-0000	PLATE	1

9

KICK STARTER ASSY

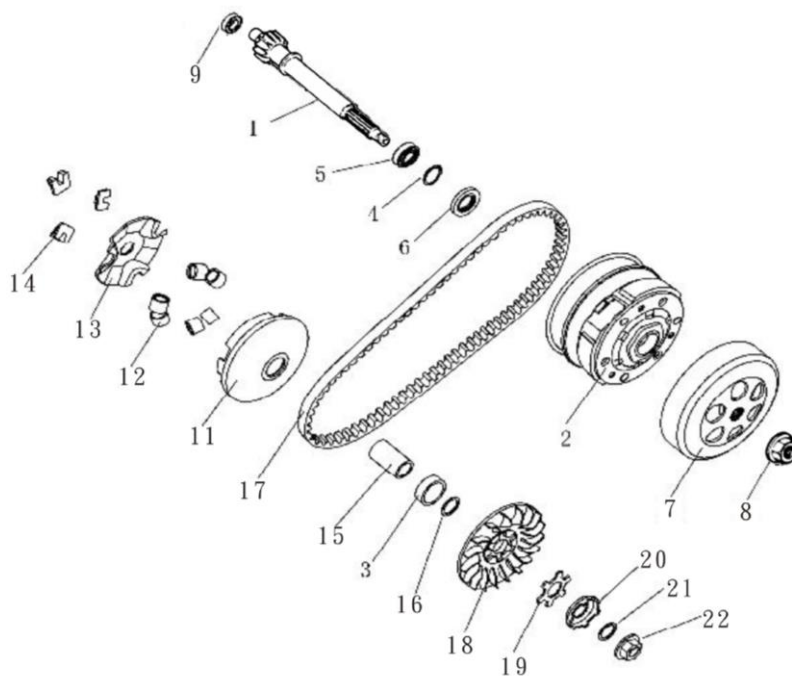


NO.	PART CODE	DESCRIPTION	QTY
1	28120-GY6-315	START GEAR ASSY	1
3	15711-KHE7-9000	THRUST WASHER	1
5	28110-GY6-9010	IDLE GEAR	1
6	28102-KHE7-9000	IDLE GEAR SHAFT	1

7	90401-KJ9-0010	PLATE WASHER	2
8	15711-1E40-0000	IDLE GEAR HOLDER	1
9	95701-06010-08	BOLT FLANGE SH 6*10	2
10	95701-06020-08	BOLT FLANGE SH 6*20	2
11	28250-KBN-9010	SPINDLE COMP KICK STARTER	1
12	28281-GN2-6030-M	SPRING KICK RETURN	1
13	28253-GN2-6020-M	BUSH KICK SPINDLE	1
14	90451-GN2-6010	WASHER KICK SPINDLE	1
15	94511-15000	CIR CLIP EX 15	1
16	28230-GAK-9210	GEAR COMP KICK DRIVEN	1
17	2823A-GKAK-W10	CLIP	1
18	31210-GAK-9000-M	MOTOR UNIT START	1

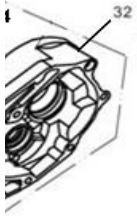
10

CLUTCH ASSY



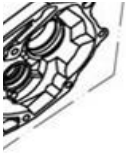
NO.	PART CODE	DESCRIPTION	QTY
1	23411-GAK-9210	SHAFT DRIVE	1
2	2301A-GAK-2200	PULLEY SET DRIVEN	1
3	22106-1E40-0000	SPEED LIMITED WASHER	1
4	94510-20000	CIR CLIP EX 17	1
5	91004-KBN-9220-M	BRG BALL RADIAL 6203 SPC 軸	1
6	91204-KBN-9020-M	OIL SEAL 17*30*6	1
7	22100-GR1-7510	CLUTCH OUTER	1
8	94050-10080	NUT FLANGE 10MM	1
10	91004-KN2-9020-M	RG BALL RADIAL 6200	1

NOTE



NOTE





NOTE
DOT
DOT
DOT
DOT
DOT





NOTE

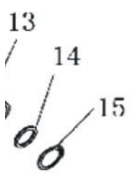
NOTE

NOTE



NOTE

NOTE



NOTE

NOTE
NO SUPPLY

