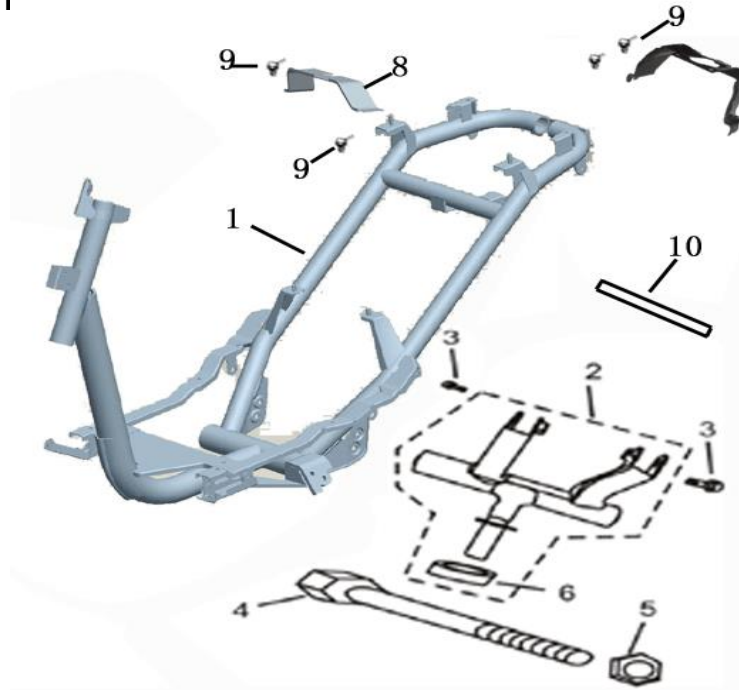


SINGLE LIGHT JJ50QT-3(speeder 50CC) BODY PARTS LIST

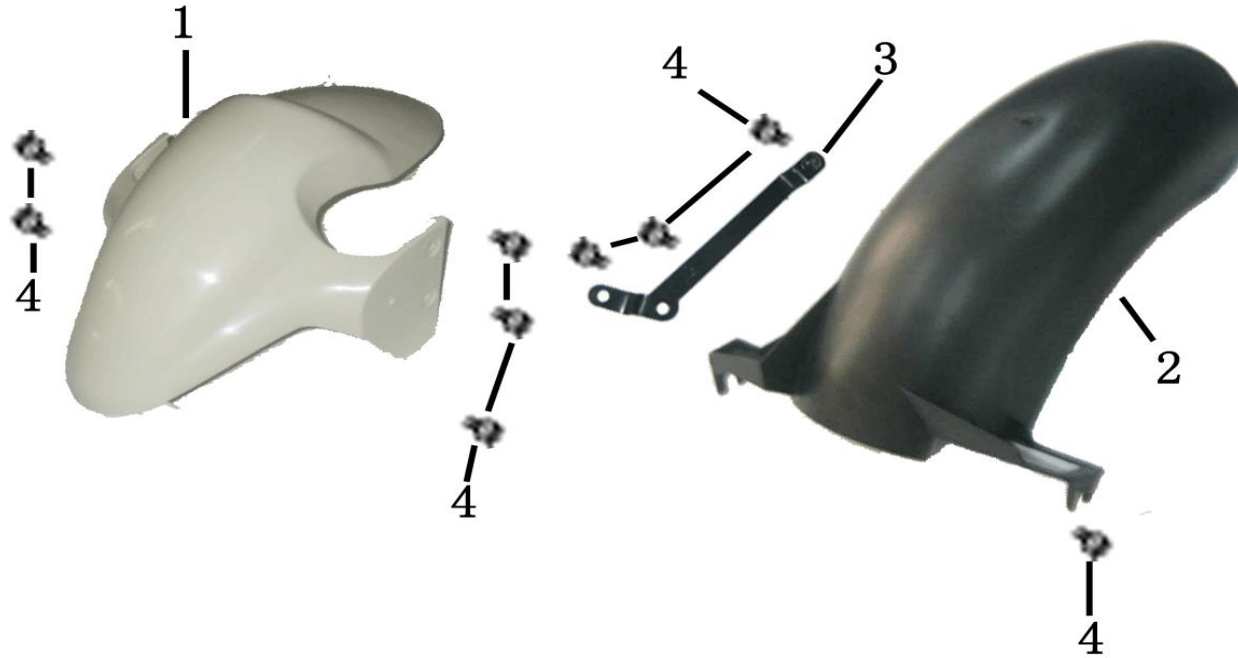
零件手册列印页

FRAME BODY



NO.	PART CODE	DESCRIPTION	QTY	NOTE
1	50100-ALA1-0000	FRAME BODY	1	
2	50350-ALA1-0000	HANGER OF ENGINE	1	
3	96001-10050-000	FLANGE BOLT M10x1.25x50	2	
4	90117-10235-000	FLANGE BOLT M10x1.25x185	1	
5	90304-ALA1-0000	LOCKNUT M10*1.25	1	
6	50352-ALA1-0000	CUSHION OF ENGINE HANGER	1	
7	81205-ALA1-0000	REAR RACK BRACKET	1	
8	77235-ALA1-0000	STAY FUEL TANK FR	1	
9	96001-06012-000	FLANGE BOLT M6*12	2	
10	50356-ALA1-0000	BUSH,ENGINE HANGER	2	

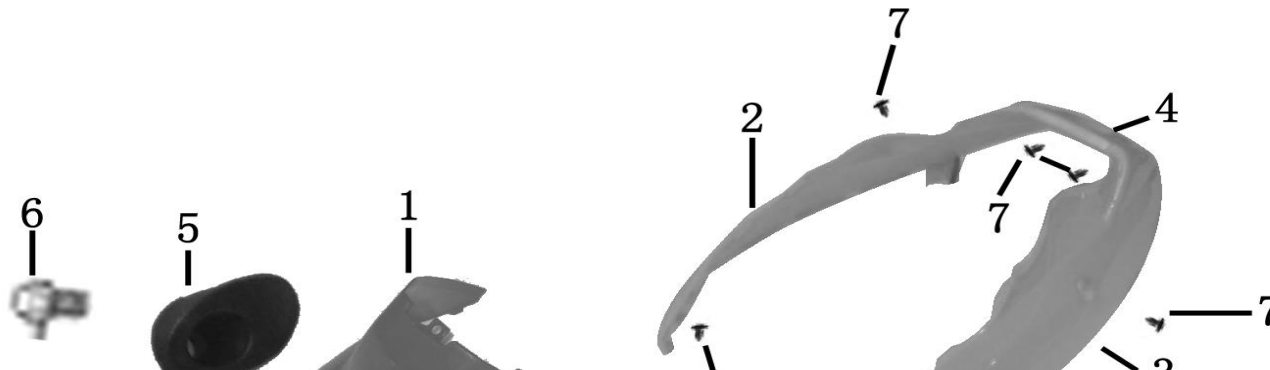
FENDER

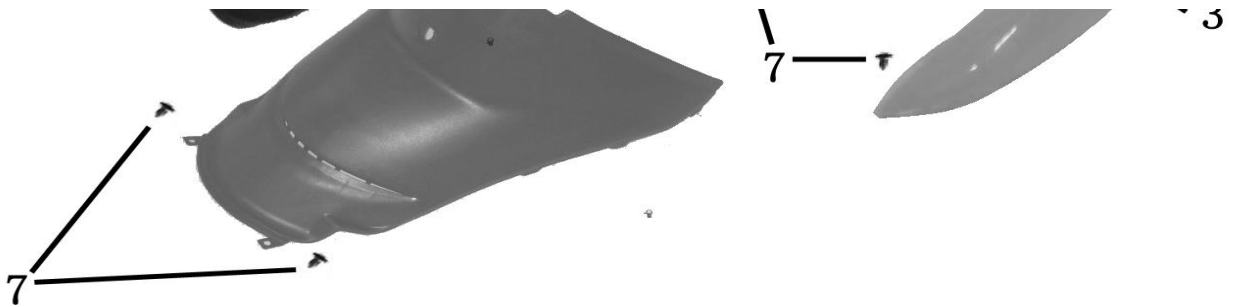


NO.	PART CODE	DESCRIPTION	QTY	NOTE
1	61100-ALA1-0000	FRONT FENDER	1	
2	80100-ALA1-0000	FENDER RR TIRE	1	
3	80101-ALA1-0000	RIGHT BRACKET,FENDER RR TIRE	1	
4	90111-06014-000	STEP BOLT M6*14	9	

2

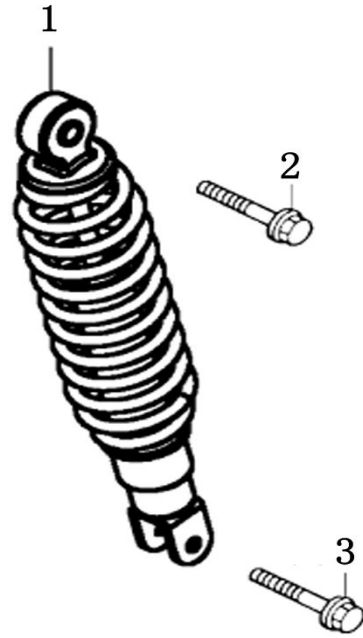
SIDE PANEL





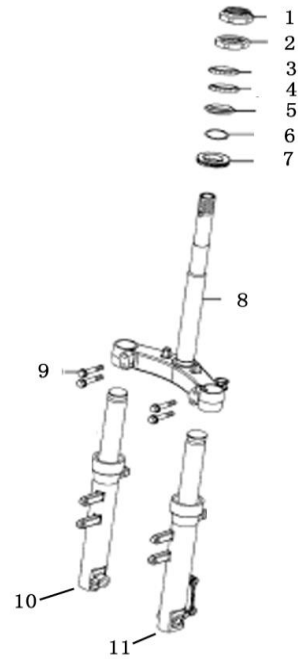
NO.	PART CODE	DESCRIPTION	QTY	NOTE
1	80151-ALA1-0000	COVER CENTER FRONT	1	
2	83500-ALA1-0000	COVER R BODY	1	
3	83600-ALA1-0000	COVER L BODY	1	
4	80161-ALA1-0000	COVER CENTER REAR	1	
5	80152-ALA1-0000	CLIP ASSY CENTER	1	
6	90111-06014-000	STEP BOLT M6*14	1	
7	90903-04012-000	TAPPING SCREW ST4.2*10	8	

REAR SHOCK ABSORBER



NO.	PART CODE	DESCRIPTION	QTY	NOTE
1	52400-ALA1-0000	RR.SHOCK ABSORBER ASSY.	1	
2	95801-10035-000	FLANGE BOLT M10x40	1	
3	90116-GT10-9000	BOLT HEX 8*27	1	

FRONT FORK

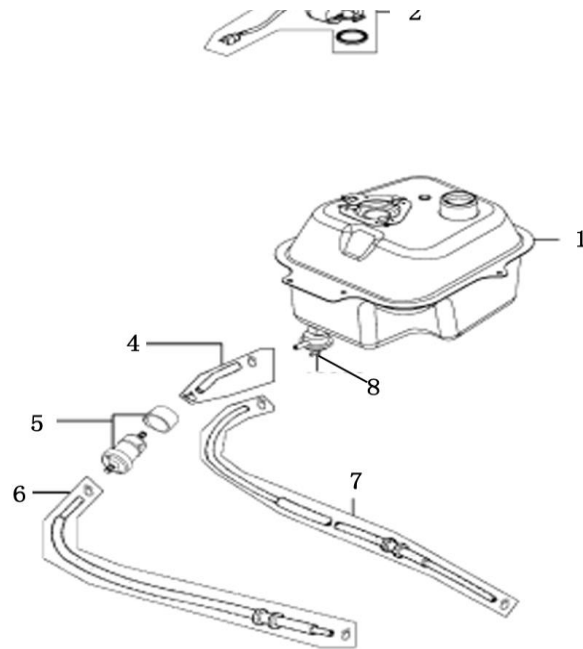


NO.	PART CODE	DESCRIPTION	QTY	NOTE
1	50306-ALA1-0000	TOP NUT,STEERING STEM	2	
2	53223-ALA1-0000	BOWL 1	1	
3	96211-05000-000	BALL ASSY.,UPPER	22	
4	53222-ALA1-0000	BOWL 2	1	
5	53221-ALA1-0000	BOWL 2	1	
6	96211-08000-000	BALL ASSY.,LOWER	17	
7	53212-ALA1-0000	RACE (STRG BOTTOM) CONE	1	
8	53200-ALA1-0000	STEERING STEM	1	
9	95801-08040-000	HEXAGONAL BOLT M8*40	4	
10	51400-ALA1-0000	R.FR.FORK ASSY.	1	
11	51500-ALA1-0000	L.FR.FORK ASSY.	1	

5

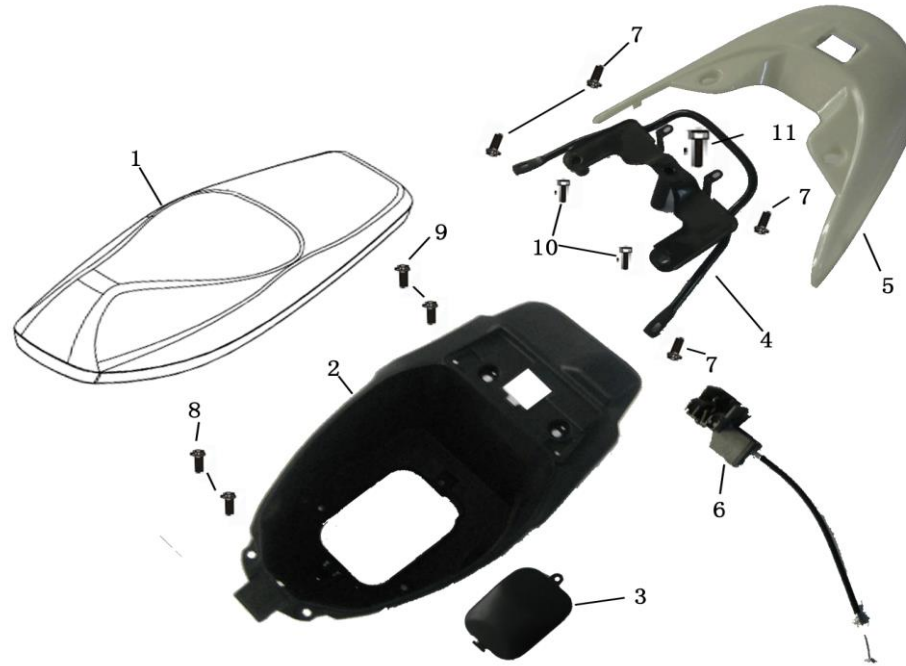
FUEL TANK





NO.	PART CODE	DESCRIPTION	QTY	NOTE
1	17500-ALA1-0000	FUEL TANK	1	
2	3780A-ALA1-0000	FUEL SENSOR ASSY	1	
3	37802-ALA1-0000	RET FUEL UNIT	1	
4	16911-ALA1-0000	FUEL TUBE A	1	
5	1691A-ALA1-0000	STRAINER COMP FUEL ASSY	1	
6	16912-ALA1-0000	FUEL TUBE B	1	
7	17682-ALA1-0000	TUBE ASSY FUEL VACUUM	1	
8	16950-ALA1-0000	AUTO COCK ASSY FUEL		

SEAT ASSEMBLY

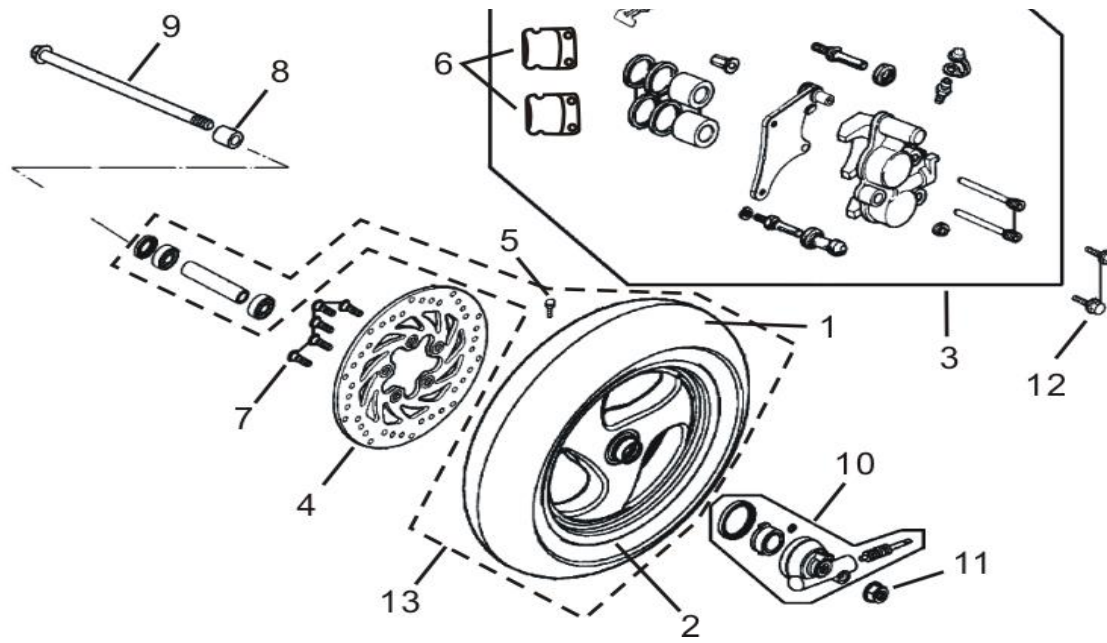


NO.	PART CODE	DESCRIPTION	QTY	NOTE
1	77200-ALA1-0000	SEAT COMP	1	
2	81260-ALA1-0000	LUGGAGE BOX ASSY	1	
3	81251-ALA1-0000	LID CARB MAINT	1	
4	1020A-ALA1-0000	CARRIER ASSY RR	1	
5	10202-ALA1-0000	COVER CARRIER ASSY RR	1	
6	77235-ALA1-0000	LOCK BASE OF SEAT	1	
7	96001-06014-000	FLANGE BOLT M6*12	4	
8	96001-06014-000	FLANG BOLT M6*14	2	
9	96001-06016-000	FLANG BOLT M6*16	2	
10	96002-08025-000	SOCKET HEAD SCREW M8*25	2	
11	96002-08095-000	SOCKET HEAD SCREW M8*95	2	

7

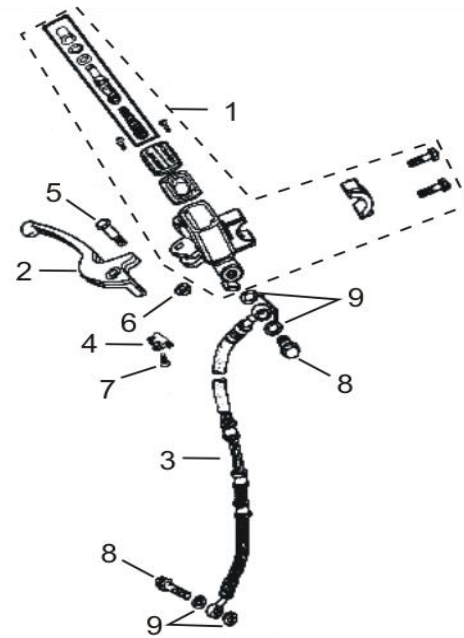
FRONT WHEEL





NO.	PART CODE	DESCRIPTION	QTY	NOTE
1	44710-ALA1-0000	FRONT TIRE	1	
2	44650-ALA1-0000	FRONT RIM	1	
3	45200-ALA1-0000	CALIPER ASSY FR	1	
4	45351-ALA1-0000	DISK FR BRAKE	1	
5	42753-ALA1-0000	VALVE RIM	1	
6	45150-ALA1-0000	RR.BRAKE PAD	1	
7	90105-08024-000	BOLT M8*32	3	
8	44311-ALA1-0000	COLLAR RR AXLE	1	
9	44301-ALA1-0000	AXLE FR WHEEL	1	
10	44800-ALA1-0000	GEAR BOX ASSY FOR CALCULATE SPEED	1	
11	90306-12000-000	FLANGE NUT M12	1	
12	90122-08032-000	FLANGE BOLT M8*35	2	
13	44700-ALA1-0000	FRONT WHEEL	1	

BRAKE SYSTEM

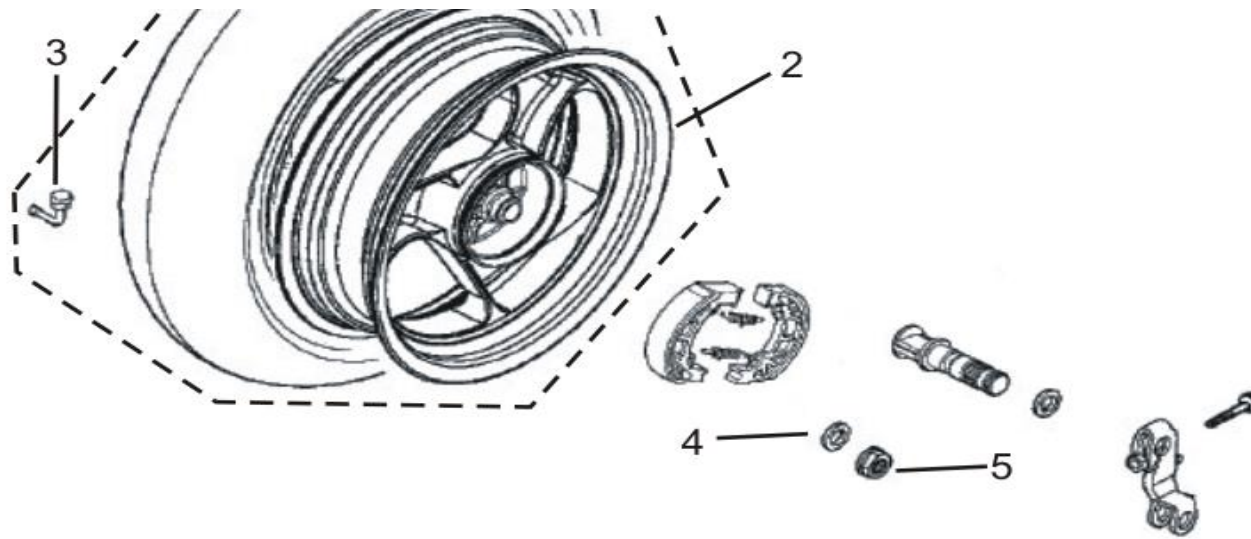


NO.	PART CODE	DESCRIPTION	QTY	NOTE
1	45530-ALA1-0000	CYLINDER SET FR MASTER	1	
2	53175-ALA1-0000	LEVER R	1	
3	45126-ALA1-0000	HOSE ASSY FR BRAKE	1	
4	35340-ALA1-0000	SWITCH ASSY FR BRAKE	1	
5	90114-ALA1-0000	BOLT HANDLE LEVER	1	
6	94050-06000-000	FLANGE NUT M6	1	
7	93893-04012-000	SCREW WASHER M4*12	1	
8	90145-10022-000	OIL BOLT M10*22	2	
9	90545-ALA1-0000	WASHER,OIL BOLT	4	

9

REAR WHEEL

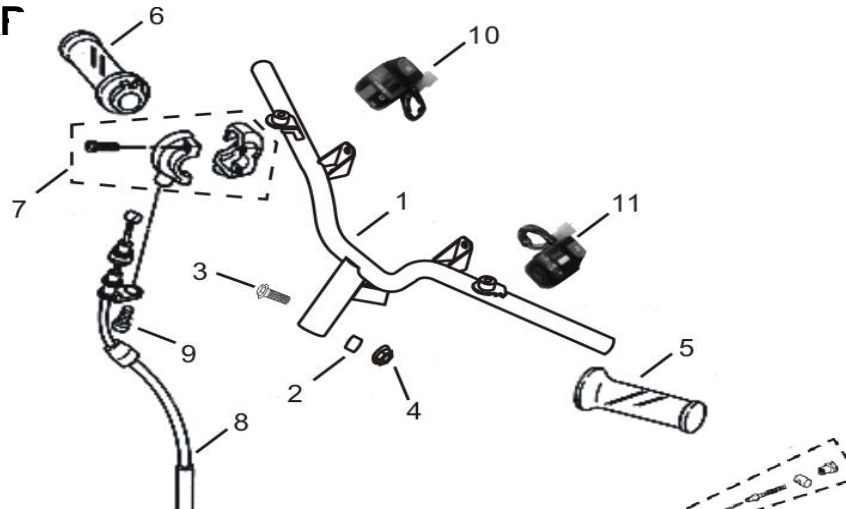


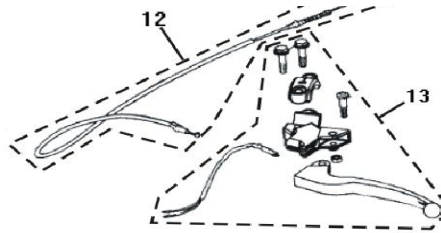


NO.	PART CODE	DESCRIPTION	QTY	NOTE
1	42710-GT20-0000	REAR TIRE	1	
2	42601-GT20-0000	REAR RIM	1	
3	42753-GT20-0000	VALVE RIM	1	
4	90501-16000-000	WASHER 16MM	1	
5	90305-16000-000	FLANGE NUT M16	1	
6	42700-GT20-0000	REAR WHEEL ASSY	1	

10

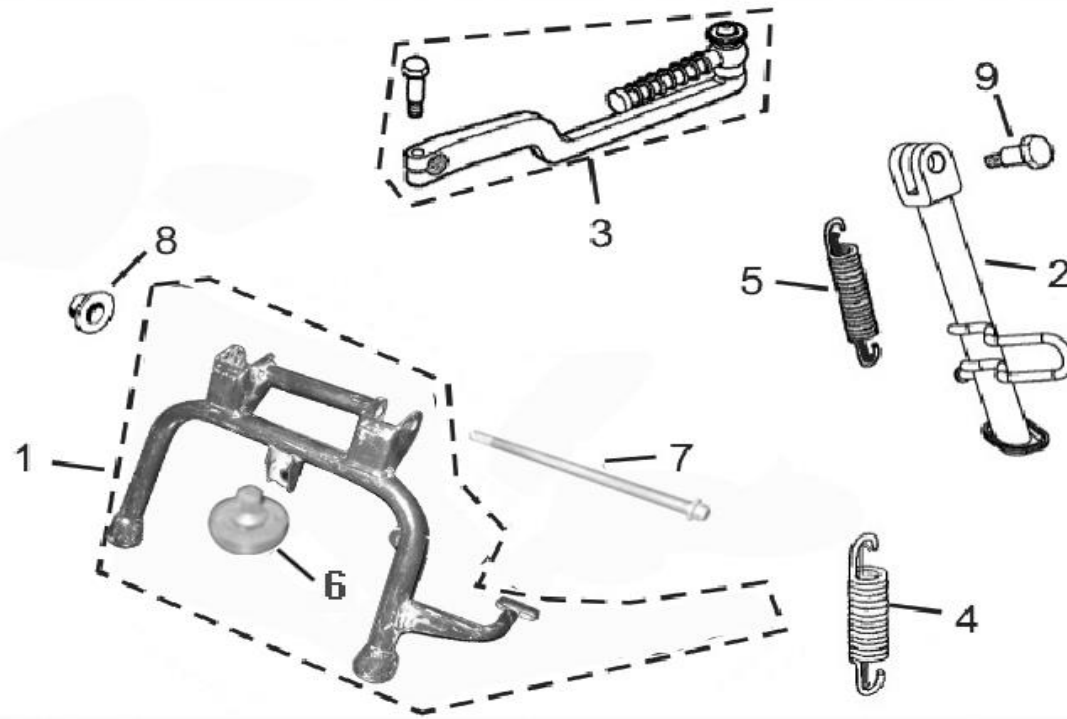
HANDLE BAR





NO.	PART CODE	DESCRIPTION	QTY	NOTE
1	53100-ALA1-0000	HANDLE BAR	1	
2	53125-ALA1-0000	BUSH,HANDLE BAR	1	
3	90106-10045-000	FLANGE BOLT M10*45	1	
4	90304-10000-000	FLANGE NUT M10*1.25	1	
5	53166-ALA1-0000	L.GRIP,HANDLE	1	
6	53140-ALA1-0000	THROTTLE GRIP,HANDLE	1	
7	53160-ALA1-0000	THROTTLE BRACKET	1	
8	17910-ALA1-0000	THROTTLE CABLE	1	
9	93500-05010-000	CROSS ROUNDHEAD SCREW M5*10	1	
10	3515A-ALA1-0000	SWITCH,HANDLEBAR R.	1	
11	3520A-ALA1-0000	SWITCH,HANDLEBAR L.	1	
12	4345A-GT20-0000	REAR BRAKE CABLE ASSY	1	
13	5317A-GT20-0000	REAR BRAKE LEVER ASSY	1	

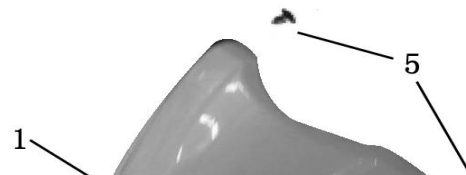
STAND ASSY

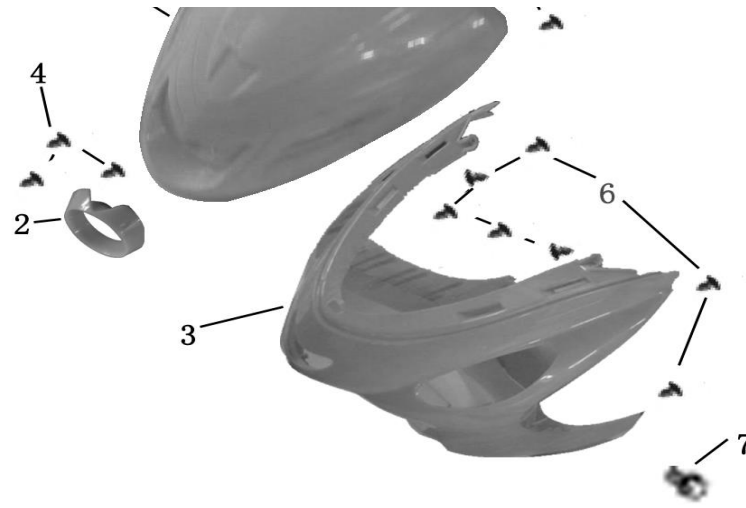


NO.	PART CODE	DESCRIPTION	QTY	NOTE
1	5050A-ALA1-0000	STAND ASSY MAIN	1	
2	50530-ALA1-0000	BAR SIDE STAND	1	
3	28300-GY57-0000	KICK STARTER	1	
4	50550-ALA1-0000	SPRING OF MAIN STAND	1	
5	95014-ALA1-0000	SPRING OF SIDE STAND	1	
6	50505-ALA1-0000	RUBBER STOPPER MAIN	1	
7	50540-ALA1-0000	AXLE STAND MAIN	2	
8	90306-12000-000	FLANGE NUT M12	1	
9	90108-ALA1-0000	SCREW SIDE STAND PIVOT	1	

12

FRONT COVER

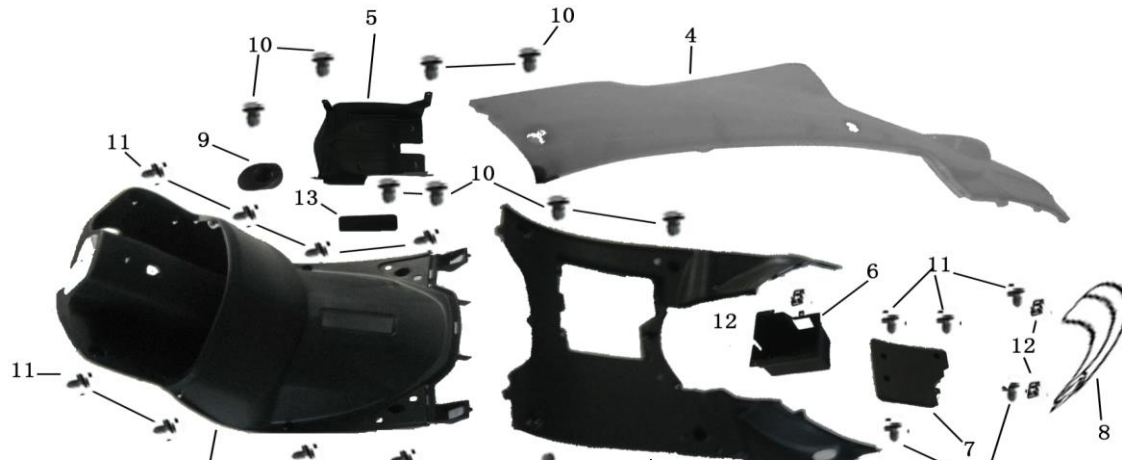


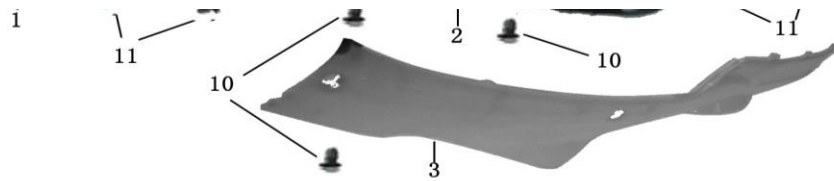


NO.	PART CODE	DESCRIPTION	QTY	NOTE
1	64302-ALA1-0000	FRONT COVER	1	
2	64307-ALA1-0000	DECORATED BOARD FRONT COVER	1	
3	64302-ALA1-0000	MOLDING FR	1	
4	90903-04010-000	TAPPING SCREW ST4.2*10	3	
5	90903-04016-000	TAPPING SCREW ST4.2*16	2	
6	90903-04012-000	TAPPING SCREW ST4.2*12	2	
8	96001-06014-000	FLANGE BOLT M6*12	4	

13

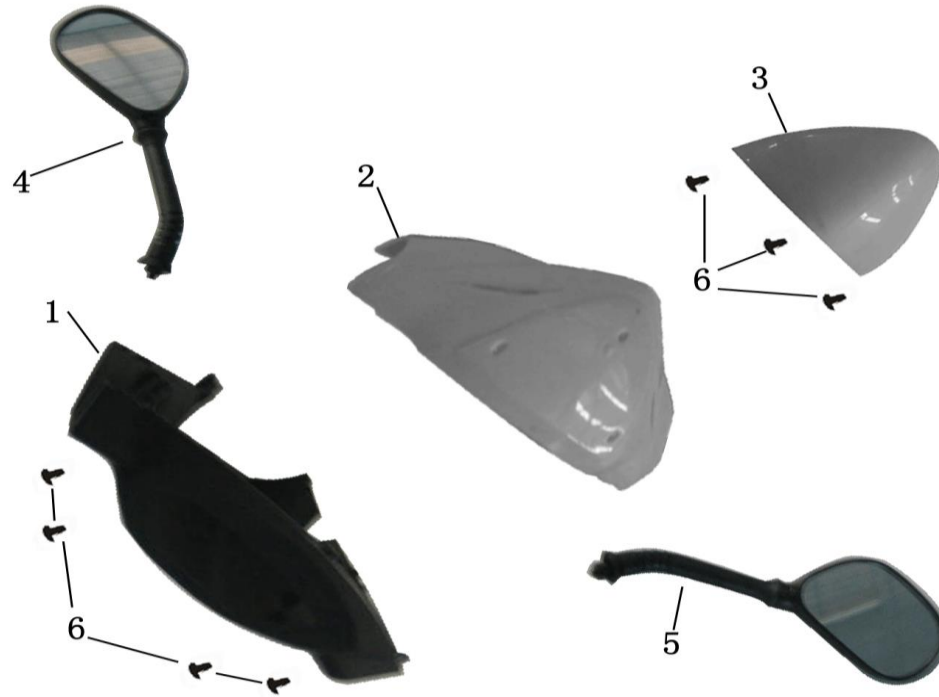
FLOOR PANEL





NO.	PART CODE	DESCRIPTION	QTY	NOTE
1	81131-ALA1-0000	LEG SHIELD	1	
2	64310-ALA1-0000	FLOOR PANEL	1	
3	64306-ALA1-0000	SKIRT L SIDE	1	
4	64305-ALA1-0000	SKIRT R SIDE	1	
5	50613-ALA1-0000	COVER UNDER	1	
6	50322-ALA1-0000	BATTERY BOX	1	
7	50326-ALA1-0000	COVER BATTERY	1	
8	64308-ALA1-0000	SKIRT RR	1	
9	80152-ALA1-0000	CLIP ASSY CENTER	1	
10	96001-06016-000	FLANGE BOLT M6*16	12	
11	90903-04014-000	TAPPING SCREW ST4.2*16	13	
12	90302-04000-000	NUT SPRING M4	4	
13	81132-ALA1-0000	LID LEG SHIELD	1	

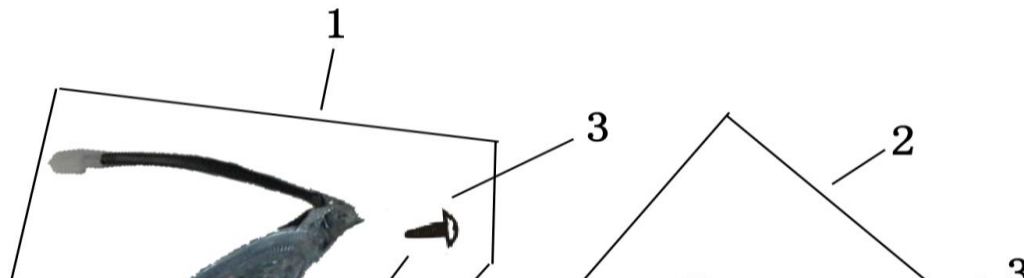
HANDLE BAR PANFI

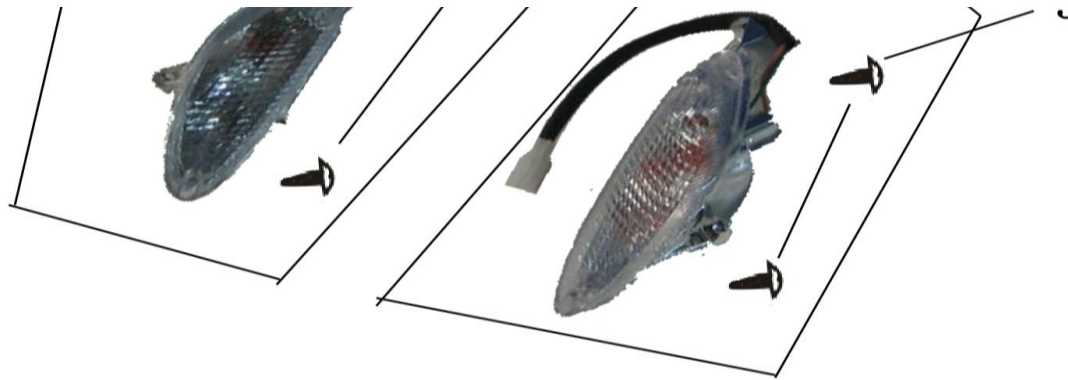


NO.	PART CODE	DESCRIPTION	QTY	NOTE
1	53206-ALA1-0000	COVER RR HANDLE	1	
2	53205-ALA1-0000	COVER FR HANDLE	1	
3	53208-ALA1-0000	DECORATED BOARD FR HANDLE	1	
4	88120-ALA1-0000	MIRROR ASSY L BACK	1	
5	88110-ALA1-0000	MIRROR ASSY R BACK	1	
6	93903-01014-000	TAPPING SCREW ST4.2*14	7	

15

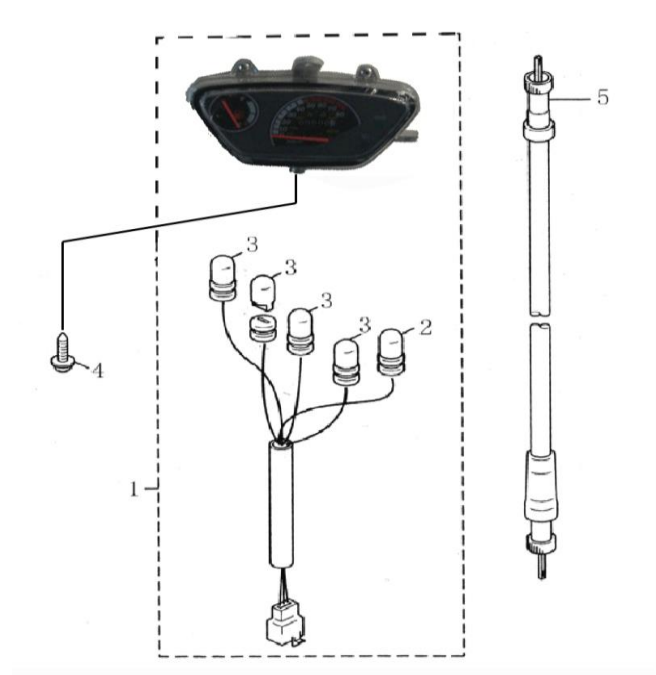
TURNING LIGHT





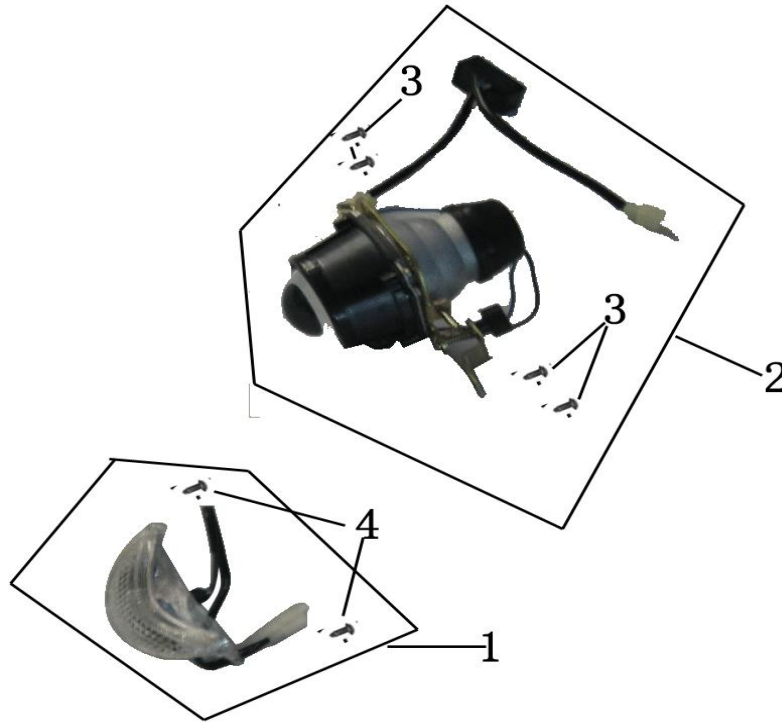
NO.	PART CODE	DESCRIPTION	QTY	NOTE
1	33450-ALA1-0000	L.FR.TURNING LIGHT ASSY	1	
2	33400-ALA1-0000	R.FR.TURNING LIGHT ASSY	1	
3	93903-05014-000	TAPPING SCREW ST4.2*12	4	

SPEEDOMETER



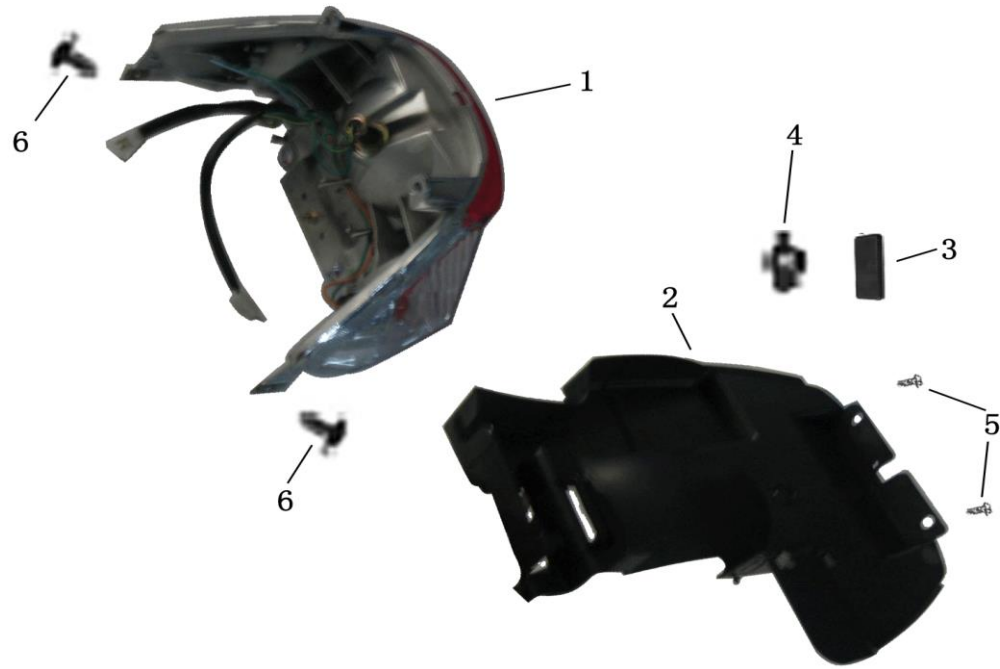
NO.	PART CODE	DESCRIPTION	QTY	NOTE
1	37200-ALA1-0000	SPEEDOMETER ASSY.(MILE/DOT)	1	
2	37272-ALA1-0000	SIGNAL INDICATOR LIGHT 12V,3W	1	
3	37271-ALA1-0000	SIGNAL INDICATOR LIGHT 12V,3W	4	
4	93903-04016-000	TAPPING SCREW ST4.2*16	3	
5	44831-ALA1-0000	MILEAGE CABLE	1	

HEADLIGHT



NO.	PART CODE	DESCRIPTION	QTY	NOTE
1	33105-ALA1-0000	FRONT POSITION LAMP	1	
2	33100-ALA1-0000	HEADLIGHT	1	
3	90903-03012-000	TAPPING SCREW ST3.8*14	4	
4	90903-04012-000	TAPPING SCREW ST4.2*14	2	

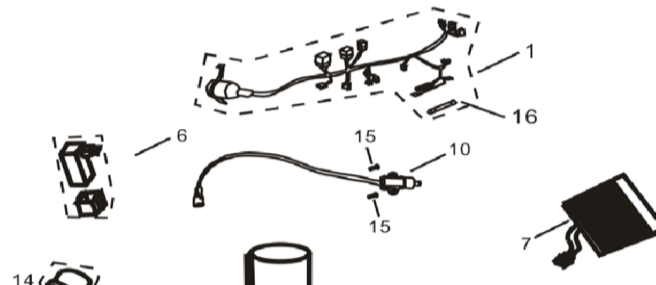
TAILLIGHT

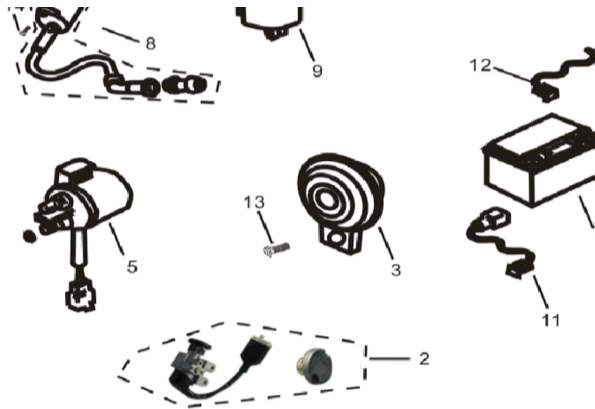


NO.	PART CODE	DESCRIPTION	QTY	NOTE
1	33700-ALA1-0000	TAILLIGHT ASSY	1	
2	80105-ALA1-0000	REAR FENDER	1	
3	33741-ALA1-0000	REAR REFLECTOR	1	
4	94050-09000-000	FLANGE NUT M5	1	
5	96001-06012-000	FLANGE BOLT M6*12	4	
6	90903-04012-000	TAPPING SCREW ST4.2*14	2	

19

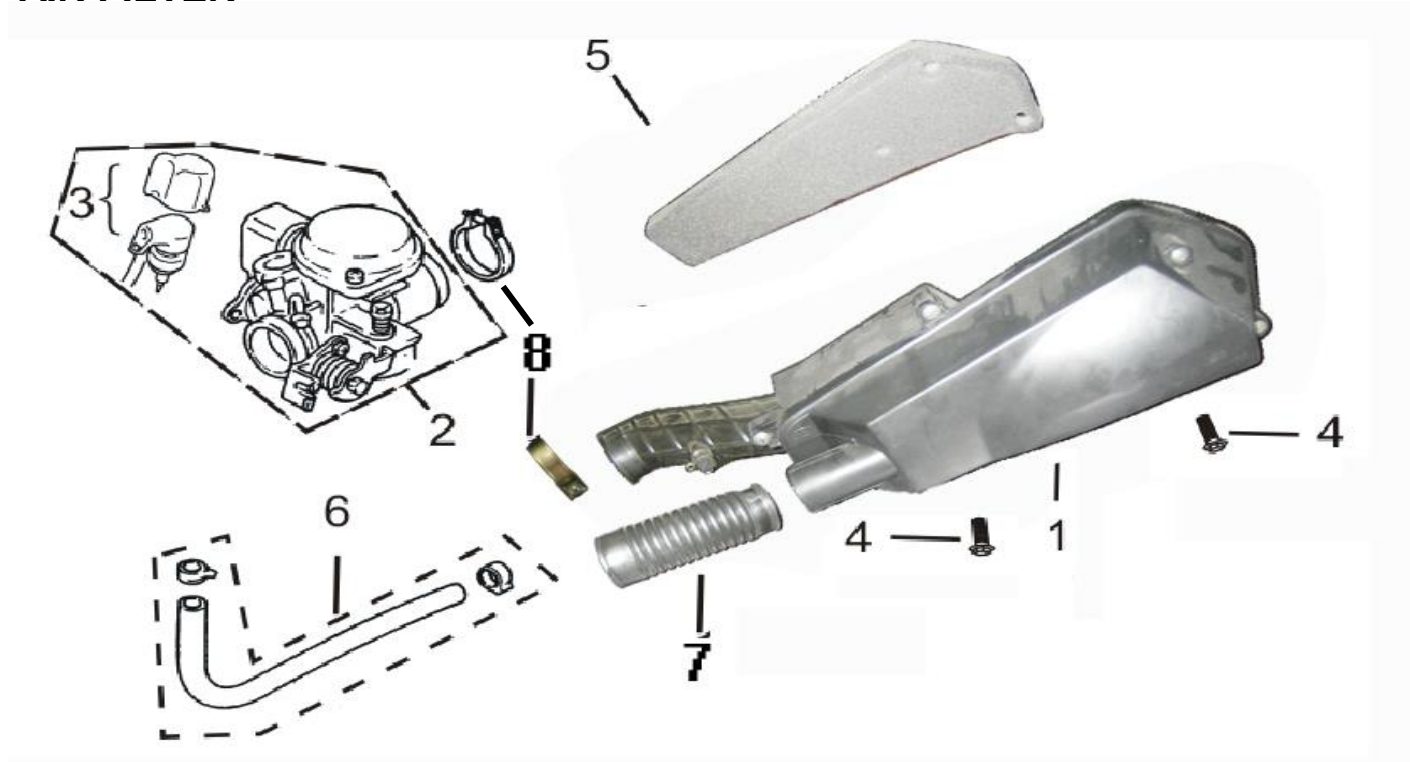
ELECTRICAL SYSTEM





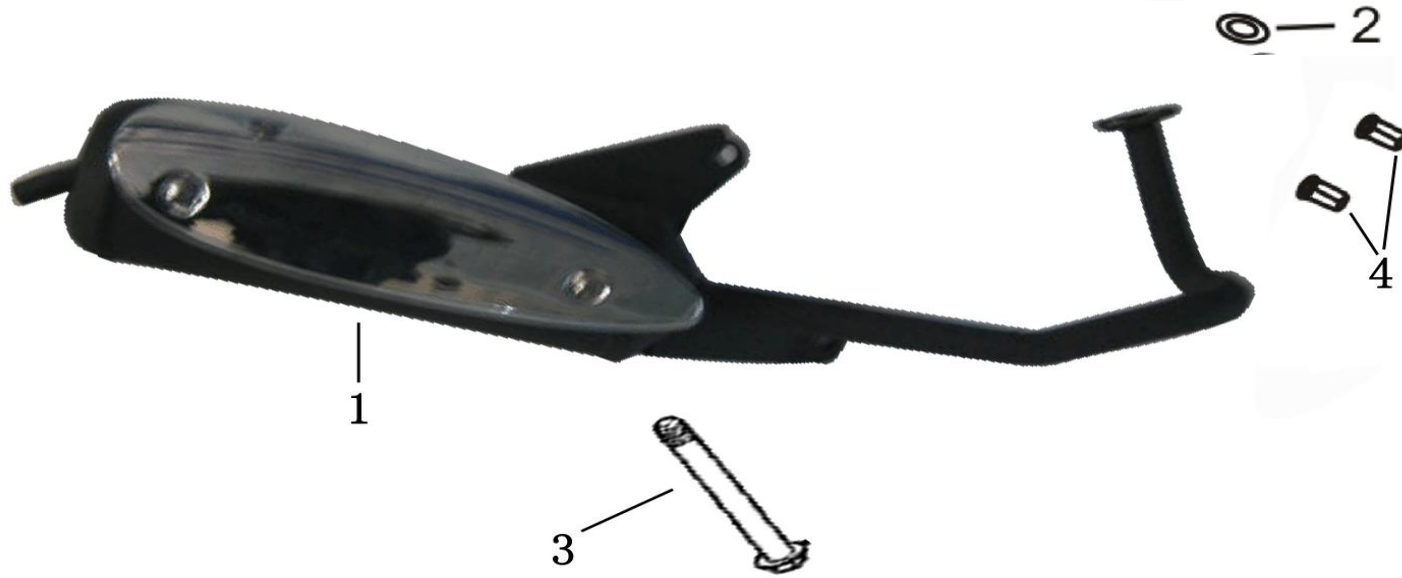
NO.	PART CODE	DESCRIPTION	QTY	NOTE
1	32100-ALA1-0000	MAIN WIRE HARNESS	1	
2	35101-ALA1-0000	MAIN LOCK ASSY	1	
3	38110-GT0-0000	HORN	1	
4	31500-ALA1-0000	BATTERY	1	
5	35850-ALA1-0000	START RELAY	1	
6	30400-ALA1-0000	CDI	1	
7	31600-ALA1-0000	RECTIFIER	1	
8	30510-ALA1-0000	IGNITION COIL COMP.	1	
9	38300-ALA1-0000	FLASHER	1	
10	35370-ALA1-0000	KILL SWITCH	1	
11	3241-ALA1-0000	CATHODE LINE	1	
12	32411-ALA1-0000	ANODE LINE	1	
13	96001-06012-000	FLANGE BOLT M6*12	1	
14	90112-06016-000	STEP BOLT M6*20	1	
15	93500-05012-000	SCREW M5*12	2	
16	98200-15000-000	FUSE	1	

AIR FILTER



NO.	PART CODE	DESCRIPTION	QTY	NOTE
1	17200-ALA1-0000	AIR FILTER	1	
2	16100-ALA1-0000	CARBURETOR	1	
3	16035-ALA1-0000	CONTROLLER TO INCREASE AIR THICKNESS	1	
4	90114-06025-000	FLANGE BOLT M6*35	1	
5	1721A-ALA1-0000	ELEMENT,AIR FILTER	1	
6	11211-ALA1-0000	TUBE MISSION BREATHER	1	
7	17200-ALA1-0000	AIR INTAKE PIPE	1	
8	95002-19000-000	TUBE CLAMP	2	

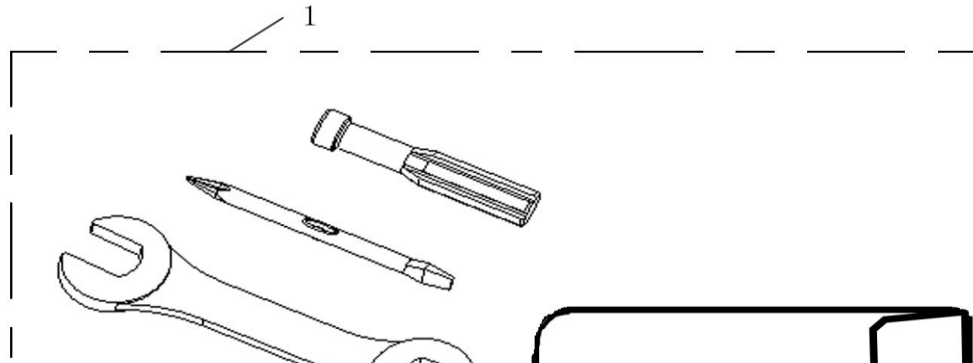
EXHAUST SYSTEM



NO.	PART CODE	DESCRIPTION	QTY	NOTE
1	1830A-ALA1-0000	EXHAUST MUFFLER ASSY.(CATALYZER)	1	
2	18291-ALA1-0000	GASKET OF EXHAUST PIPE	1	
3	96001-08045-0000	FLANGE BOLT M8*45	1	
5	90301-06000-0000	NUT M6,EXHAUST PIPE	2	

22

TOOLS





NO.	PART CODE	DESCRIPTION	QTY	NOTE
1	89010-ALA1-0000	DRIVER'S TOOLS	1	

23