

JL125-C PARTS EXPLODE DRAWING

Edition No.: 01 , Year: 2007



CIXI KINGRING MOTORCYCLE CO.,LTD.

INDEX

E-1 CYLINDER ASSEMBLY.....
E-2 VALVE MECHANISM.....
E-3 CRANKCASE COVER.....
E-4 CLUTCH.....
E-5 OIL PUMP.....
E-6 CRANKCASE COMP.....
E-7 Crankshaft·Piston·Connecting Rod Comp.....
E-8 Transmission Mechanism.....
E-9 Gearshift Mechanism.....
E-10 Magneto Comp.....
E-11 Electric Starting Mechanism.....
E-12 Carburetor.....
F-1 FRONT ARM SUSPENSION.....
F-2 FRONT WHEEL.....
F-3 REAR WHEEL.....
F-4 FRAME.....
F-5 FUEL TANK.....
F-6 AIR CLEANER.....
F-7 FRONT BRAKE.....
F-8 PUMP ASSY.....
F-9 BRAKE PEDAL·FOOTREST.....
F-10 COVER.....
F-11 HANDLE BAR.....
F-12 REAR ARM SUSPENSION.....
F-13 LUGGAGE CARRIER WELDING ASSY.....
F-14 SEAT.....
F-15 POWER WIRE.....
F-16 IGNITION SYSTEM.....
F-17 LIGHTING·LIGHT·SIGNALLING.....
F-18 SPEEDOMETER.....
F-19 MUFFLER.....

Address: Kingring Developing Zone, Cixi, Ningbo, Zhejiang 315301, P.R.China

Tel: 0086 574 63219030, 63218692, 63218196; 63218672

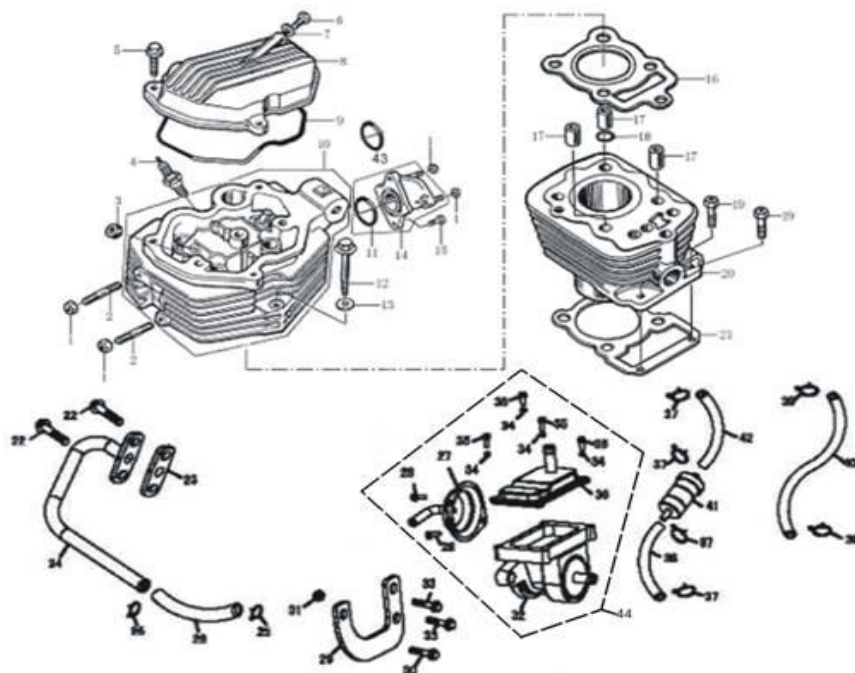
Fax: 0086 574 63218193

E-mail: motor@kingring.com

Website: www.kingringmotor.com; kingring.en.alibaba.com

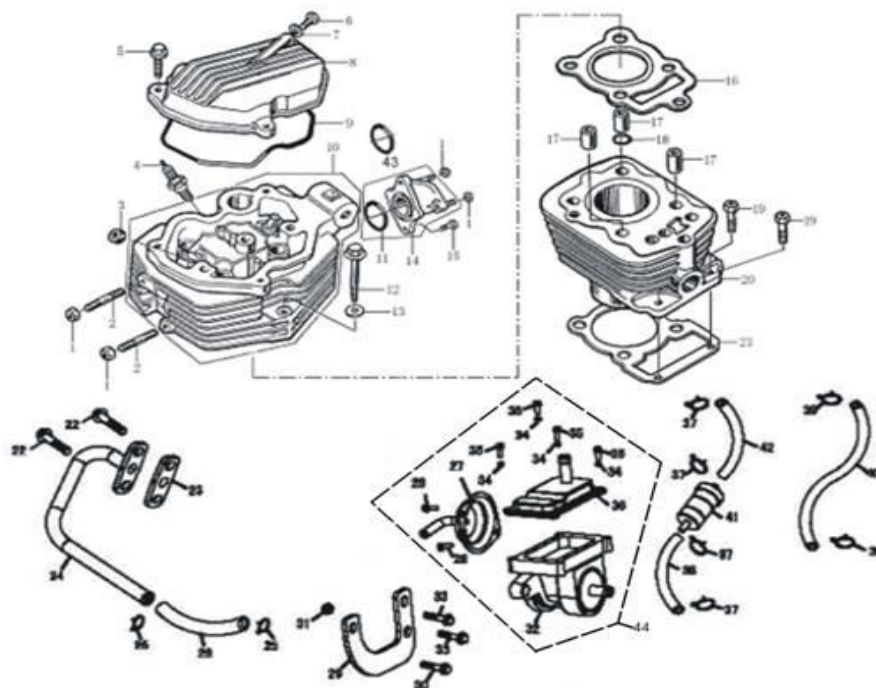
Attention: Please kindly note the latest unit prices (usd) in the below charts are updated every month according to the latest exchange rate

MONTH - YEAR:	March . 2014
Current exchange rate:	7,8073



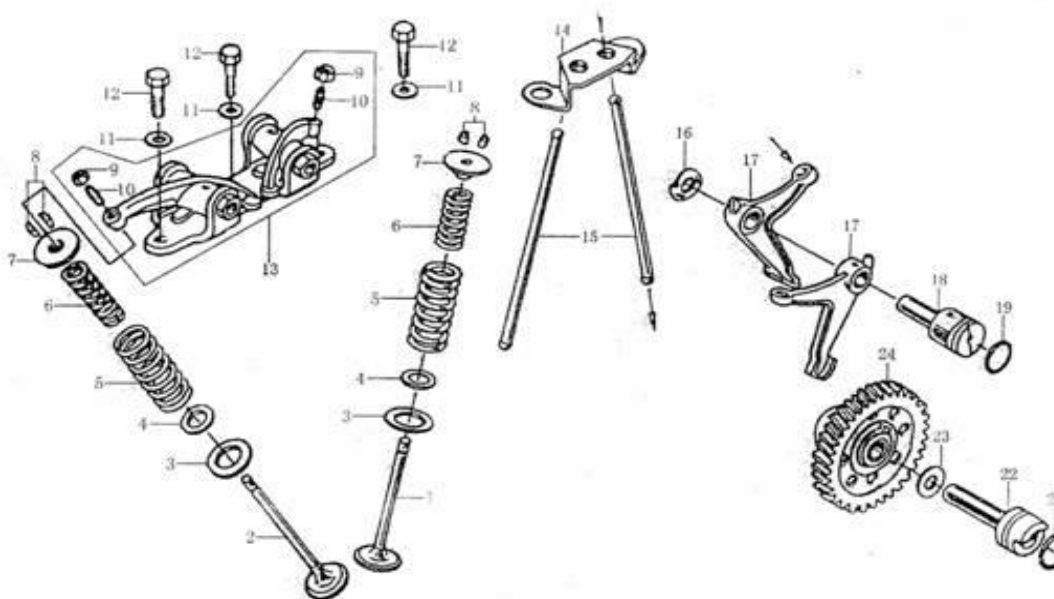
E-1 Cylinder Assembly

REF. NO.	PART NO.	DESCRIPTION	Q.T.Y
1	E0101	Nut M6	4
2	E0102	Stub bolt	20
3	E0103	Valve Stem Seal Assy.	2
4	E0104	Spark Plug	1
5	E0105	Bolt M6X28	3
6	E0106	Bolt M6X12	1
7	E0107	Washer6.5X1x12(Aluminum)	1
8	E0108	Upper Cover ,Cylinder Head	1
9	E0109	Gasket,Cyclinder Upper Cover	1
10	E0110	Cylinder Head Assy.	6
11	E0111	O-Ring 33.5X3	1
12	E0112	Bolt M8X78	1
13	E0113	Washer 8.5X2.2X18(Copper)	1
14	E0114	Inlet Pipe Assy.	1
15	E0115	Bolt M6X20	2
16	E0116	Gasket Assy.	1
17	E0117	Dowel Pin	3
18	E0118	O-ring	1
19	E0119	Bolt M6X22	2
20	E0120	Cylinder Block Assy.	6
21	E0121	Gasket , Cylinder Body	1



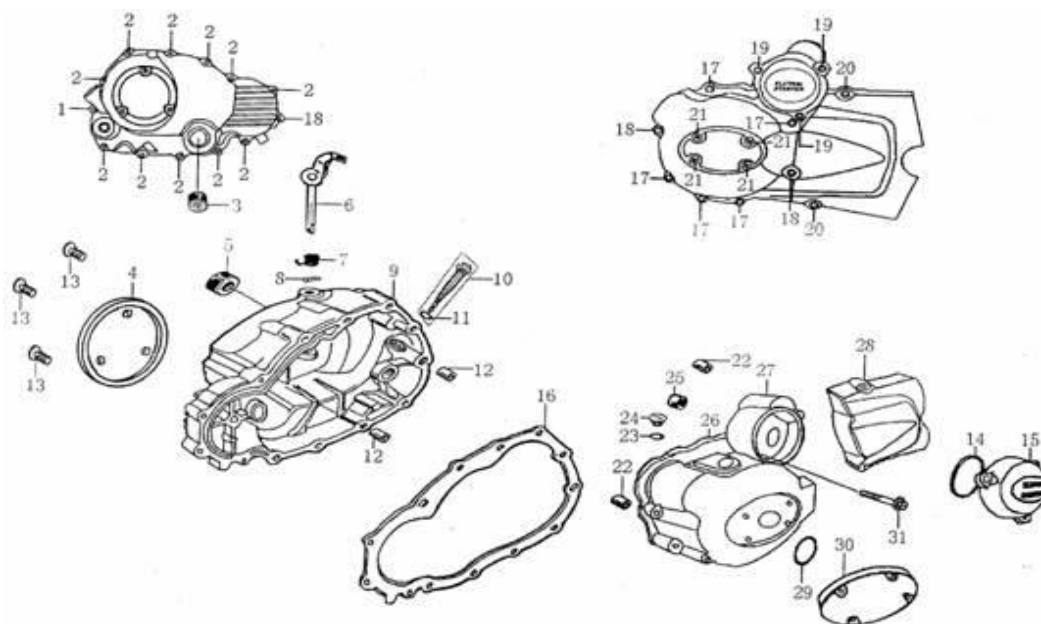
E-1 Cylinder Assembly

REF.NO.	PART NO.	DESCRIPTION	Q.T.Y
22	E0122	Bolt M6x20	2
23	E0123	Washer	1
24	E0124	Pipe, air supply	1
25	E0125	Ring 1	2
26	E0126	Rubber tube 1	1
27	E0127	Side cover	1
28	E0128	Bolt m4x10	2
29	E0129	Bracket,	1
30	E0130	Bolt m6x25	1
31	E0131	Nut M6	2
32	E0132	Valve body	1
33	E0133	Bolt M6x20	2
34	E0134	washer	4
35	E0135	Screw M4x12	4
36	E0136	Cover, valve body	1
37	E0137	Circlip 2	4
38	E0138	Tube 2	1
39	E0139	Circlip 3	2
40	E0140	Tube 3	1
41	E0141	filter	1
42	E0142	Tube 4	1
43	E0143	Flange	1
44	E0144	Valve assy.	1



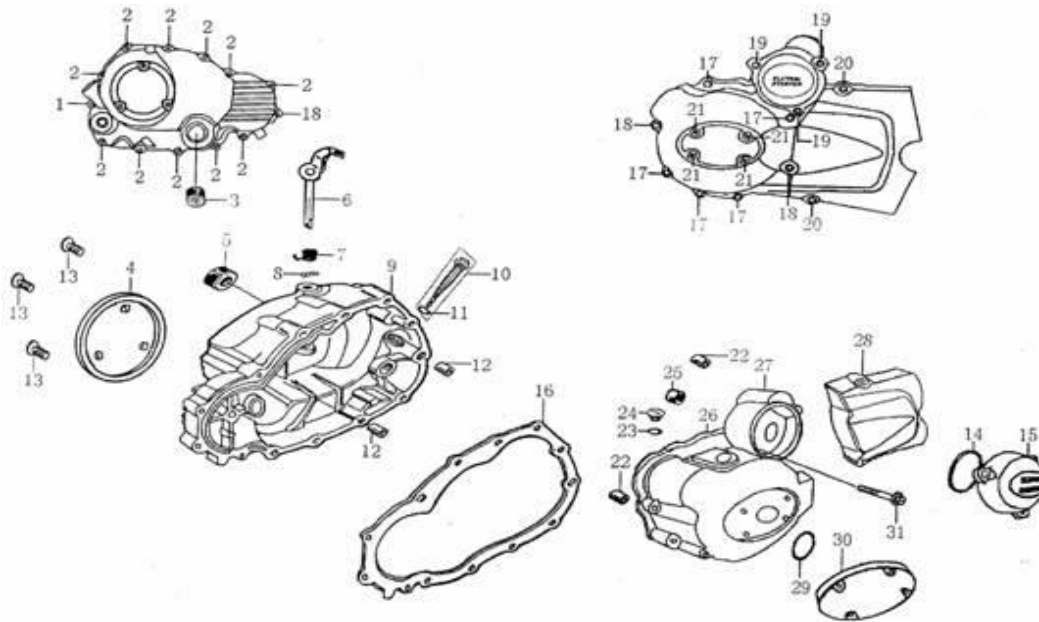
E-2 VALVE MECHANISM

REF. NO.	PART NO.	DESCRIPTION	Q.T.Y
1	E0201	Inlet Valve	6
2	E0202	Exhaust Valve	6
3	E0203	Retainer(Valve Outer Spring)	2
4	E0204	Retainer(Valve Inner Spring)	2
5	E0205	Valve Outer Spring	2
6	E0206	Valve Inter Spring	2
7	E0207	Retainer, Valve Spring	2
8	E0208	Valve , Cotter	4
9	E0209	Nut	2
10	E0210	Screw	2
11	E0211	Washer	3
12	E0212	Bolt M8X28	3
13	E0213	Valve Rocker Arm Assy.	4
14	E0214	Push rod, Rack	4
15	E0215	Push Rod Assy.	6
16	E0216	Washer	1
17	E0217	Lower Rocker Arm	2
18	E0218	Shaft	1
19	E0219	O-ring	1
20	E0220	Spring(Vavle Camshaft)	1
21	E0221	O-ring	1
22	E0222	Camshaft	1
23	E0223	Washer	1
24	E0224	Timing Driven Gear Assy.	1



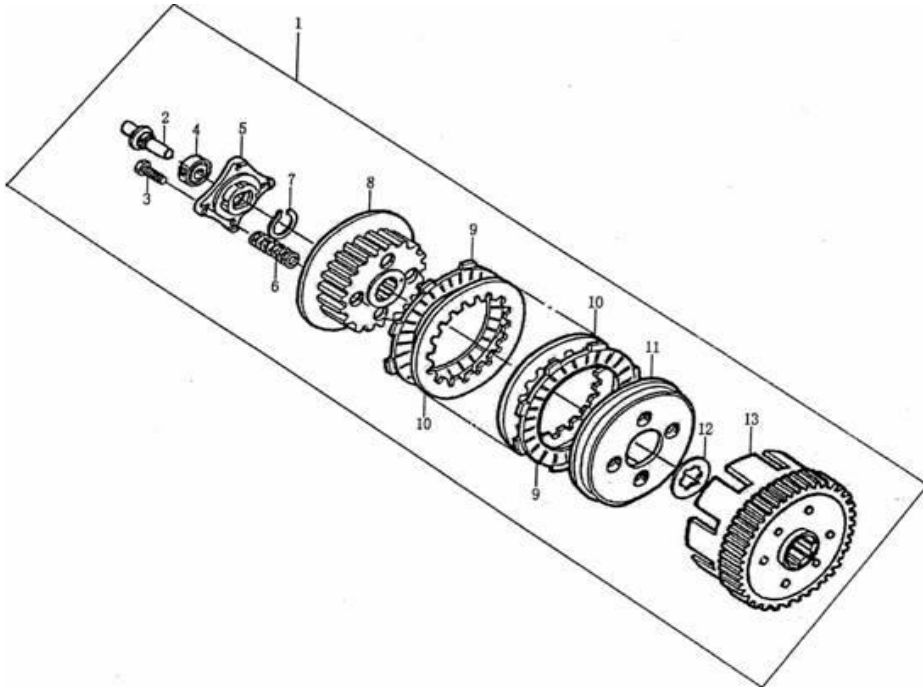
E-3 Crankcase Cover

REF. NO.	PART NO.	DESCRIPTION	Q.T.Y
1	E0301	Bolt M6X45	1
2	E0302	Bolt M6X40	11
3	E0303	Window	1
4	E0304	Decorate Cover	1
5	.E0305	Oil Seal 16X28X7	20
6	E0306	Controlling Arm Assy.	1
7	E0307	Spring	1
8	E0308	Pin	1
9	E0309	Right Crankcase Cover	1
10	E0310	Dipstick assy.	1
11	E0311	O-ring	1
12	E0312	Pin	2
13	E0313	Screw	3
14	.E0314	O-ring	1
15	E0315	Cover	6
16	E0316	Gasket(Right Crankcase Cover)	20
17	E0317	Bolt M6X40	5
18	E0318	Bolt M6X50	3
19	E0319	Bolt M6X20	3
20	E0320	Bolt M6X28	2



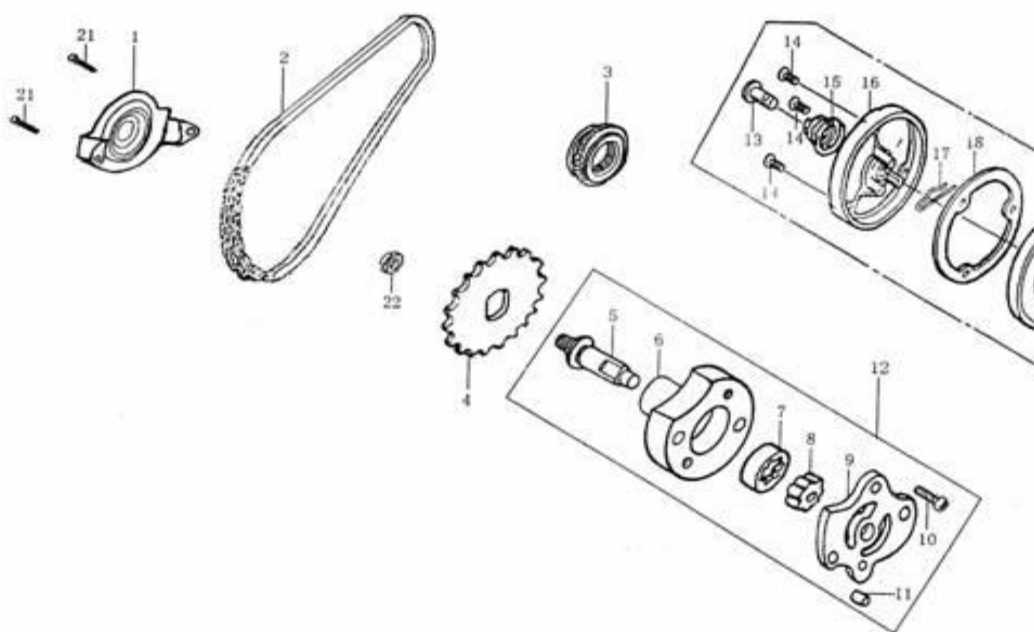
E-3 Crankcase Cover

REF. NO.	PART NO.	DESCRIPTION	Q.T.Y	
21	E0321	Screw M6X12	4	
22	E0322	Pin	2	
23	E0323	O-ring	1	
24	E0324	Cap	1	
25	.E0325	Needle Bearing	1	
26	E0326	Gasket	1	
27	E0327	Front Cover	1	
28	E0328	Rear Cover	6	
29	E0329	O-ring 27.4X2.65	1	
30	E0330	Decorate Cover(Front Cover)	1	
31	E0331	Bolt M6X25	1	



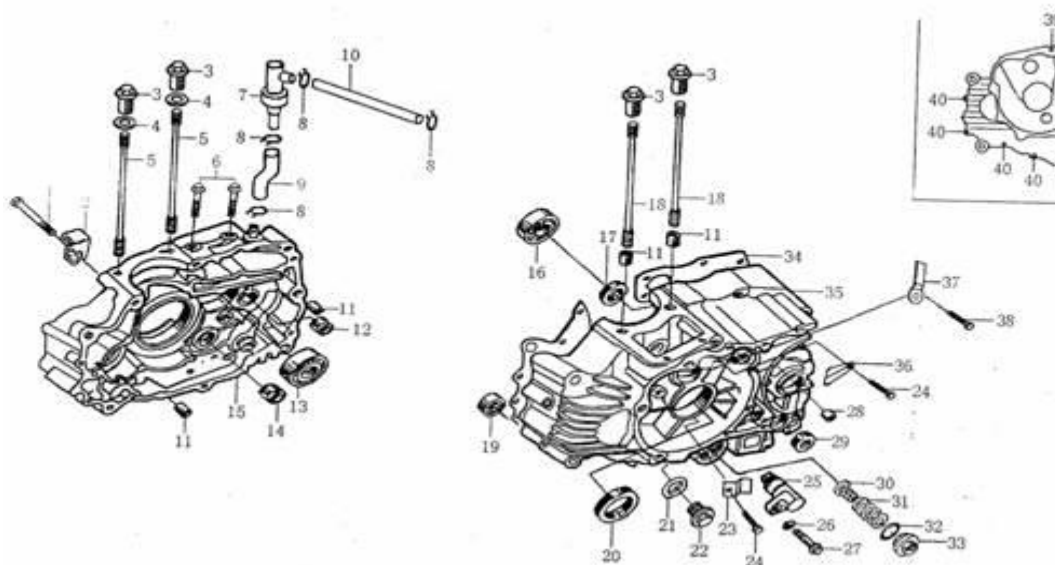
E-4 Clutch

REF. NO.	PART NO.	DESCRIPTION	Q.T.Y	
1	E0401	Clutch Assy.	4	
2	E0402	Push Rod	1	
3	E0403	Bolt M6X25	4	
4	E0404	Bearing (6003)	1	
5	E0405	Rear Cover, Clutch	1	
6	E0406	Spring	4	
7	E0407	Circlip20	1	
8	E0408	Center Sleeve	1	
9	E0409	Primary Friction Plate	20	
10	E0410	Second Friction Plate	20	
11	E0411	Pressure Plate	1	
12	E0412	Spline Washer	1	
13	E0413	Outer Case Assy.	1	



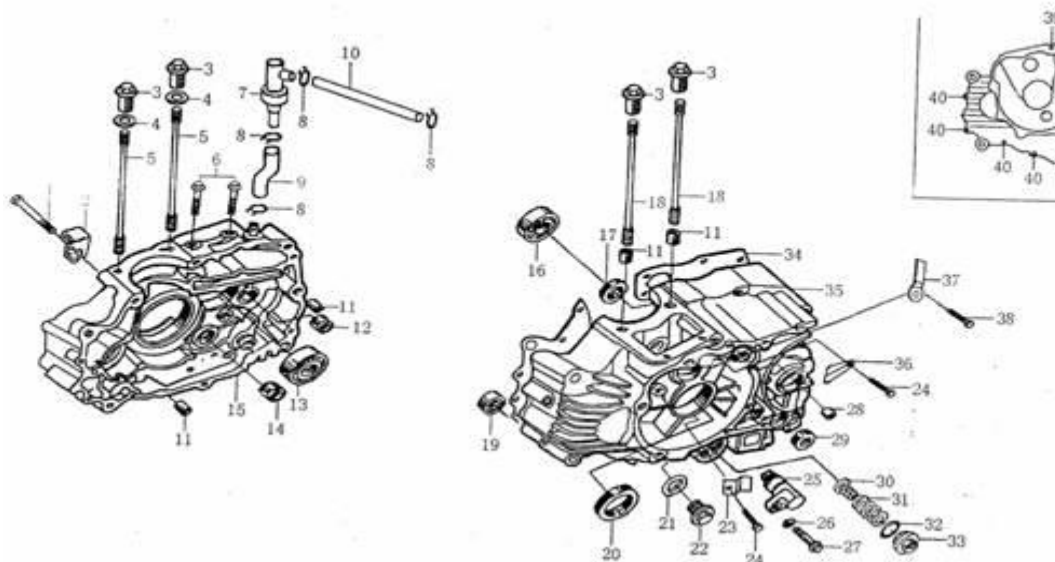
E-5 Oil Pump

REF. NO.	PART NO.	DESCRIPTION	Q.T.Y	
1	E0501	Cover	1	
2	E0502	Chain	1	
3	E0503	Drive Sprocket	1	
4	E0504	Drive Sprocket Assy.	1	
5	E0505	Drive Shaft	1	
6	E0506	Oil Pump Case	1	
7	E0507	Outer Rotor	1	
8	E0508	Inner Rotor	1	
9	E0509	Oil Pump, Cover	1	
10	E0510	Screw M4X12	2	
11	E0511	Dowel Pin 4X10	1	
12	E0512	Oil Pump	1	
13	E0513	Oil Tube	1	
14	E0514	Screw M5X12	3	
15	E0515	Spring (Oil Tube)	1	
16	E0516	Cover	1	
17	E0517	Split Pin	1	
18	E0518	Gasket	1	
19	E0519	Oil Filter Body	1	
20	E0520	Oil Filter Assy.	6	
21	E0521	Bolt M6X32	2	
22	E0522	Screw M6	1	



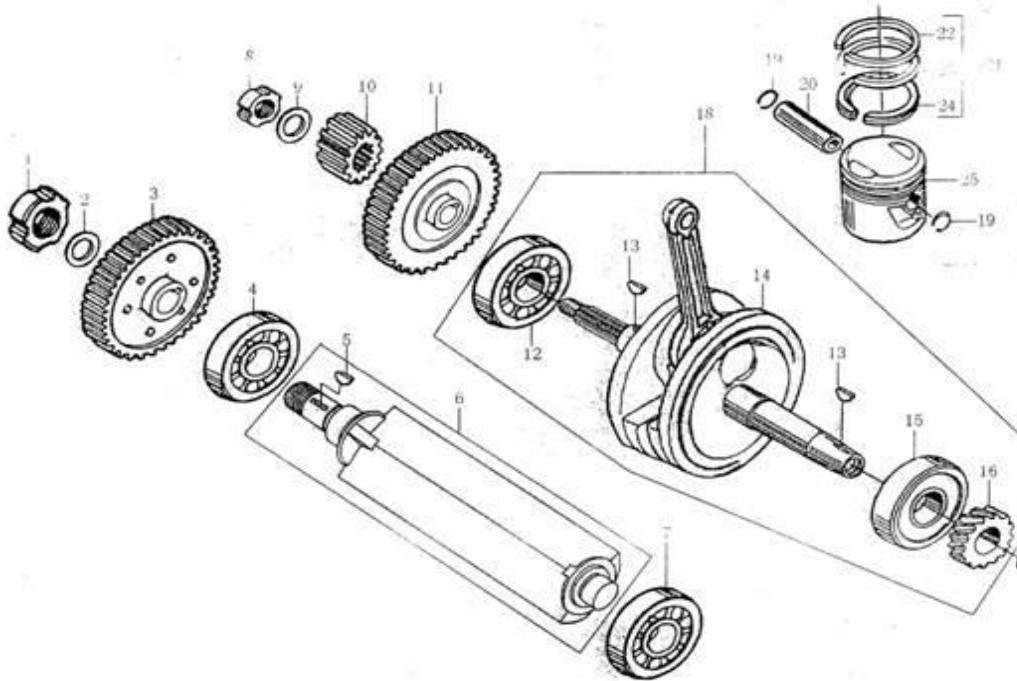
E-6 Crankcase Comp

REF. NO.	PART NO.	DESCRIPTION	Q.T.Y	
1	E0601	Bolt	1	
2	E0602	Steel Bracket	1	
3	E0603	Nut M8X3	4	
4	E0604	Washer 12.5X2X22	2	
5	E0605	Stud Bolt	2	
6	E0606	Bolt M6X28	2	
7	E0607	Separator	1	
8	E0608	Clip ϕ 15	4	
9	E0609	Breather Tube	1	
10	E0610	Breather Tube	1	
11	E0611	Pin	4	
12	E0612	Needle bearing	1	
13	E0613	Bearing(6006)	1	
14	E0614	Needle bearing	1	
15	E0615	Right Crankcase Assy.	1	
16	E0616	Bearing(6204)	1	
17	E0617	Oil Sea	1	
18	E0618	Stud bolt A	2	
19	E0619	Bearing(6202Z)	1	
20	E0620	O-Ring	1	
21	E0621	Washer 12.5X1.5X20	1	
22	E0622	Oil Drain Plug	1	
23	E0623	Locating Plate	1	



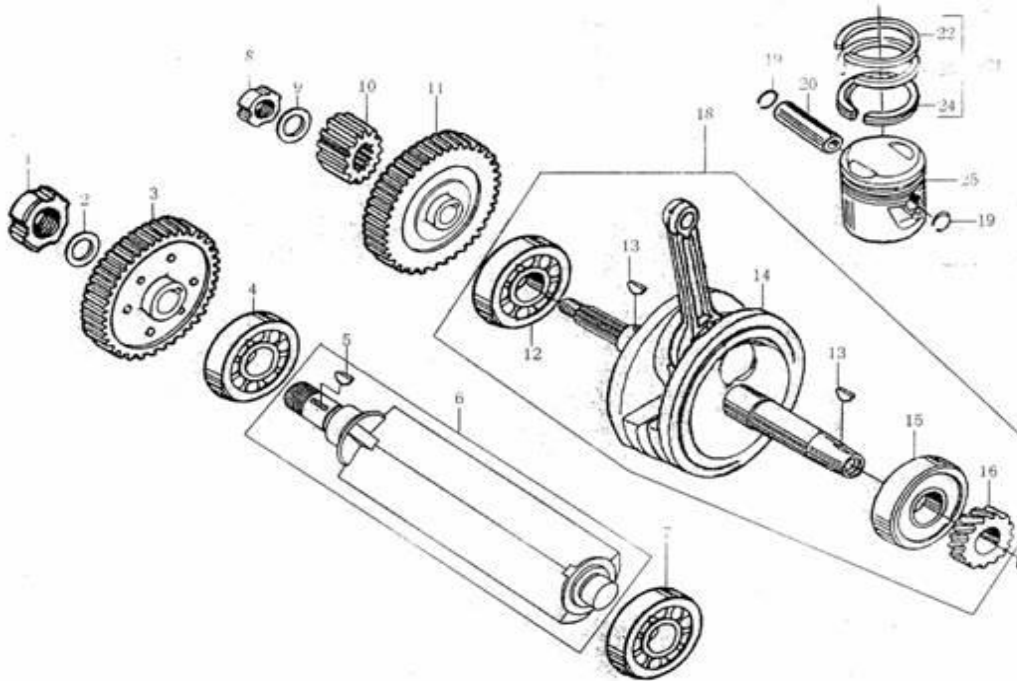
E-6 Crankcase Comp

REF. NO.	PART NO.	DESCRIPTION	Q.T.Y	
24	E0624	Bolt M6X12	2	
25	E0625	Pressure Pin Assy.	1	
26	E0626	Washer 6.7X1X14.4	1	
27	E0627	Bolt M6X25	1	
28	E0628	Needle bearing	1	
29	E0629	Oil Seal 14X28X7	10	
30	E0630	Oil Filter Screen Assy.	1	
31	E0631	spring	1	
32	E0632	O-ring 35X3	1	
33	E0633	Cap	10	
34	E0634	Gasket(Crankcase)	10	
35	E0635	Left Crankcase Assy.	1	
36	E0636	Stopped Plate	1	
37	E0637	Retainer	1	
38	E0638	Bolt M6X12	1	
39	E0639	Bolt M6X65	1	
40	E0640	Bolt M6X50	9	
41	E0641	Bolt M6X95	1	



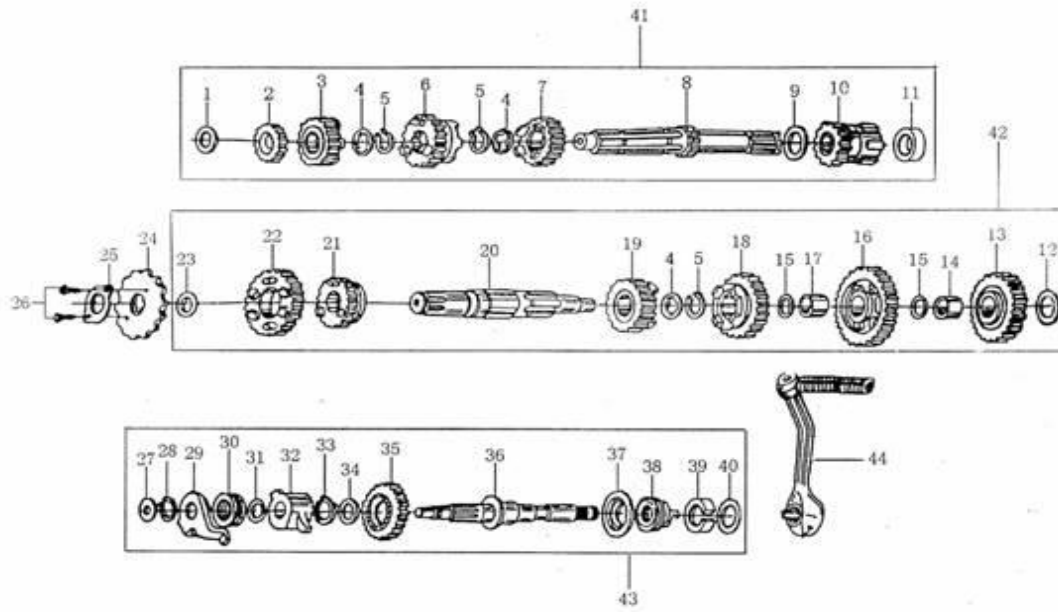
E-7Crankshaft·Piston·Connetcing Rod Comp

REF. NO.	PART NO.	DESCRIPTION	Q.T.Y	
1	E0701	Lock Nut M16X1-6H	1	
2	E0702	Trust Washer	1	
3	E0703	Driven Gear Assy.	1	
4	E0704	Bearing(6203)	1	
5	E0705	Semicircular Key 25X14X4	1	
6	E0706	Balance Shaft	1	
7	E0707	Bearing (6303)	1	
8	E0708	Nut	1	
9	E0709	Dish Washer	1	
10	E0710	Drive Gear	1	
11	E0711	Drive Gear (Balance)	1	
12	E0712	Bearing	1	
13	E0713	Semicircular Key 25X14X4	2	
14	E0714	Connecting Rod Assy.	1	
15	E0715	Bearing	1	
16	E0716	Timing Drive Gear	1	
17	E0717	Bolt	1	
18	E0718	Connecting Rod Crankshaft Assy.	2	
19	E0719	Circlip	4	
20	E0720	Piston Pin	4	



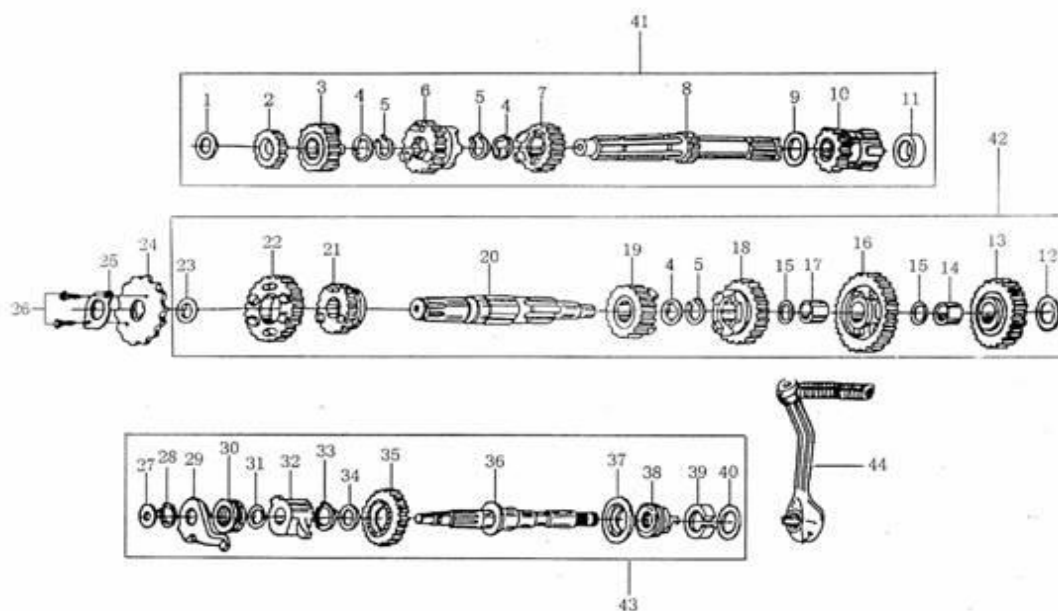
E-7Crankshaft·Piston·Connecting Rod Comp

REF. NO.	PART NO.	DESCRIPTION	Q.T.Y	
21	E0721	Piston Ring Assy.	4	
22	E0722	Piston Ring1	1	
23	E0723	Piston Ring 2	1	
24	E0724	Oil Ring Assy.	1	
25	E0725	Piston	4	



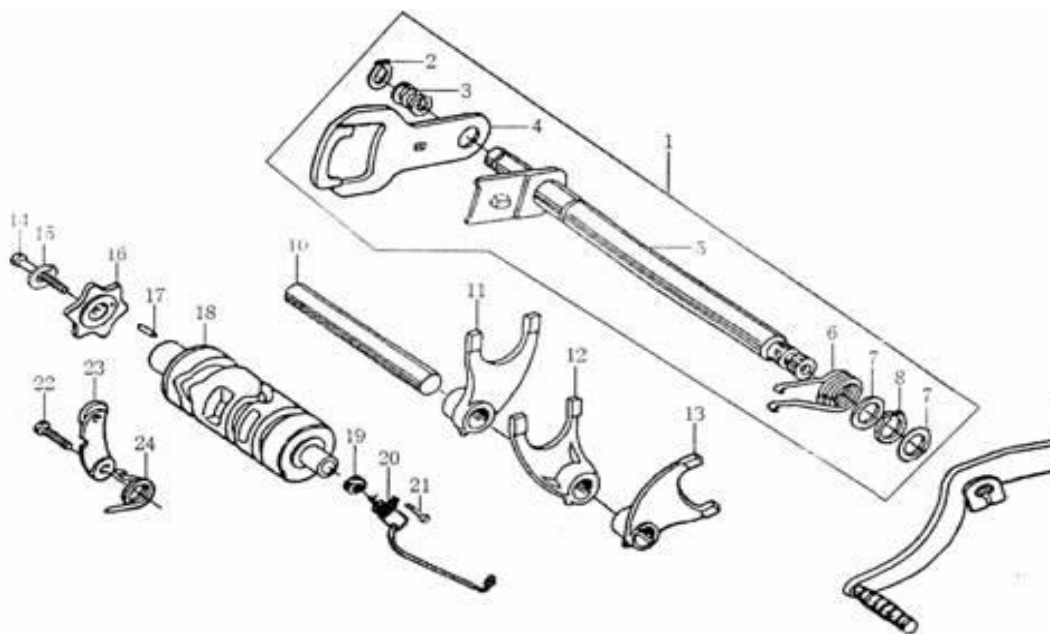
E-8 Transmission Mechanism

REF. NO.	PART NO.	DESCRIPTION	Q.T.Y
1	E0801	Trust Washer	1
2	E0802	Mainshaft 2 nd Speed Gear	1
3	E0803	Mainshaft 5 nd Speed Gear	1
4	E0804	Spacer Ring	3
5	E0805	circlip	3
6	E0806	Mainshaft 4 th Speed Gear	1
7	E0807	Mainshaft 3 rd Speed Gear	1
8	E0808	Pivot	1
9	E0809	Thrust Washer	1
10	E0810	Starting Gear Assy.	1
11	E0811	Locating Sleeve	1
12	E0812	Thrust Washer	1
13	E0813	Bridge Gear	1
14	E0814	Gear Bush	1
15	E0815	Thrust Washer	2
16	E0816	Countershaft 1 st speed Gear	1
17	E0817	Bush	1
18	E0818	Countershaft 3 rd Speed Gear	1
19	E0819	Countershaft 4 th Speed Gear	1
20	E0820	Pivot	1
21	E0821	Countershaft 5 th Speed Gear	1
22	E0822	Countershaft 2 nd Speed Gear	1



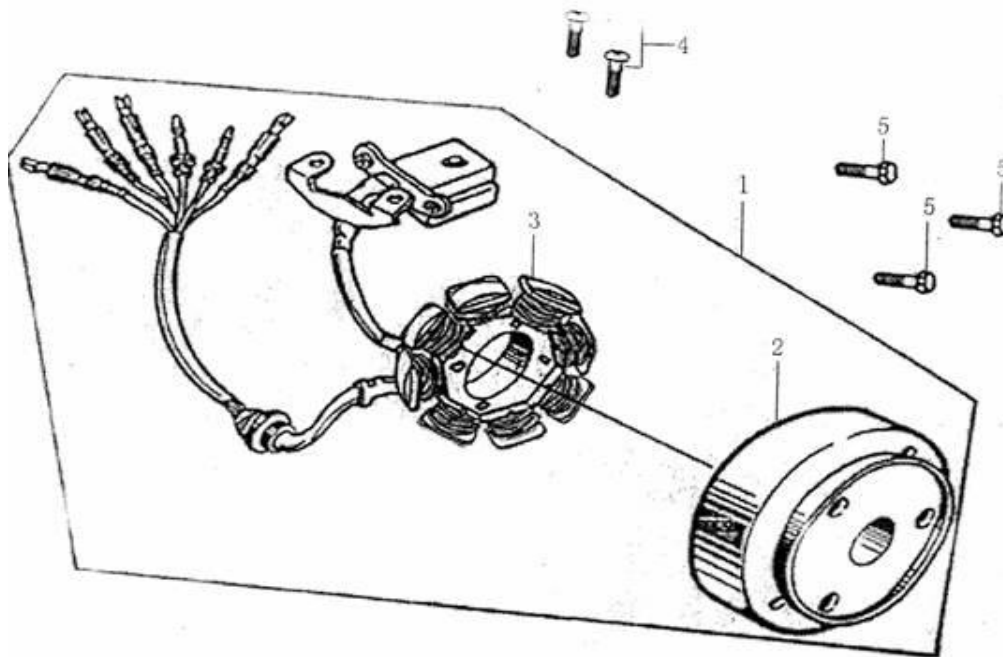
E-8 Transmission Mechanism

REF. NO.	PART NO.	DESCRIPTION	Q.T.Y	
23	E0823	Trust Washer 20X1X27	1	
24	E0824	Drive Sprocket	6	
25	E0825	Fixing Plate	1	
26	E0826	Bolt	2	
27	E0827	Washer 12.2X1X18	1	
28	E0828	Circlip 16	1	
29	E0829	Guide plate	1	
30	E0830	Ratchet spring	1	
31	E0831	Trust Washer	1	
32	E0832	Ratchet Wheel	1	
33	E0833	Circlip 20	1	
34	E0834	Trust Washer 20.2X0.5X27	1	
35	E0835	Kick starter Gear	1	
36	E0836	Kick Starting Shaft pivot	1	
37	E0837	Kick Starting , Shaft seat	1	
38	E0838	Return Spring	1	
39	E0839	Sleeve	1	
40	E0840	Washer 16.2x1X24	1	
41	E0841	Mainshaft Assy.	1	
42	E0842	Countershaft Assy.	1	
43	E0843	Kick Starting Shaft Assy.	1	
44	E0844	Kick Starting Lever Assy.	6	



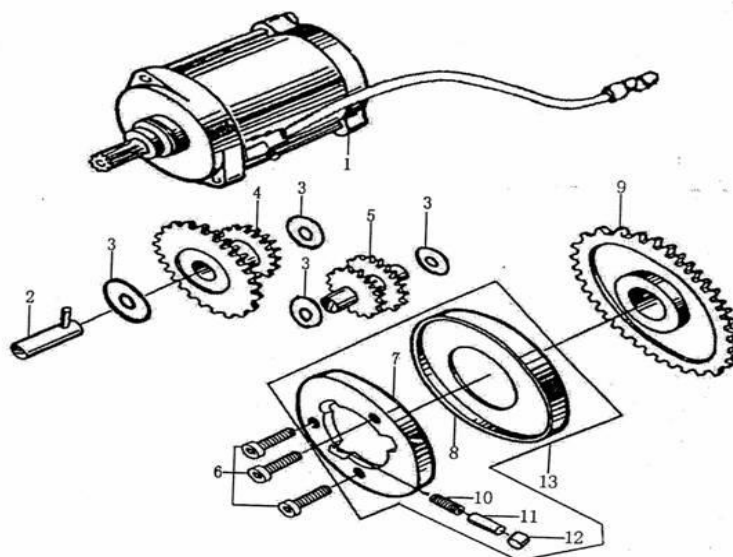
E-9 Gearshift Mechanism

REF. NO.	PART NO.	DESCRIPTION	Q.T.Y	
1	E0901	Gearshift Lever Assy.	1	
2	E0902	Circlip 12	1	
3	E0903	Spring	1	
4	E0904	Plate	1	
5	E0905	Gearshift Shaft	1	
6	E0906	Return Spring	1	
7	E0907	Washer 14X0.5X20	2	
8	E0908	Circlip 14	1	
9	E0909	Pedal (BT-16)	6	
10	E0910	Fork Spreader Shaft	1	
11	E0911	Right Fork Spreader	1	
12	E0912	Mainshaft Fork Spread	1	
13	E0913	Left Fork Spreader	1	
14	E0914	Bolt M6X25	1	
15	E0915	Washer 6	1	
16	E0916	Stopping Plate	1	
17	E0917	Pin 4X10	1	
18	E0918	Gearshift Drum	1	
19	E0919	Oil Seal	1	
20	E0920	Cable Assy.	1	
21	E0921	Bolt	1	
22	E0922	Bolt	1	
23	E0923	Locating Plate Assy.	1	
24	E0924	Return Spring	1	



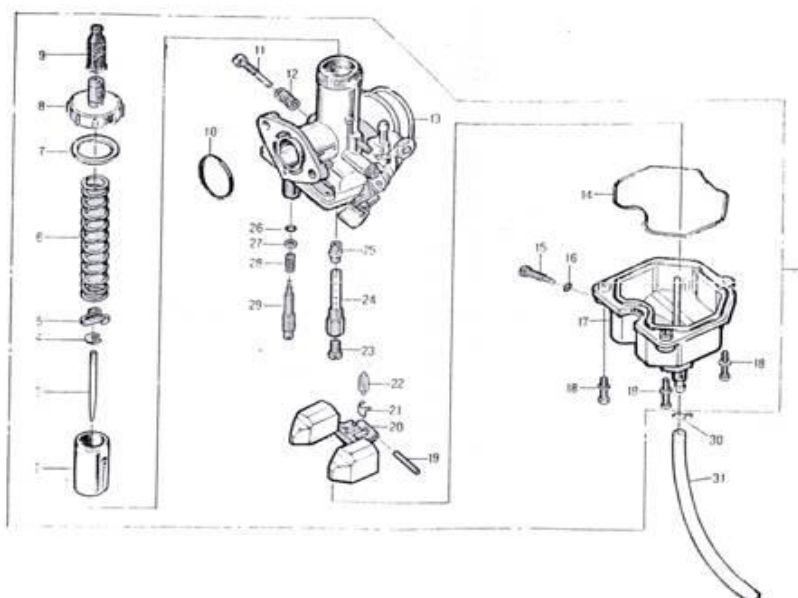
E-10 Magneto Comp

REF. NO.	PART NO.	DESCRIPTION	Q.T.Y	
1	E1001	Magneto Assy.	1	
2	E1002	Rotor Assy.	1	
3	E1003	Stator Assy.	1	
4	E1004	ScrewM5X16	2	
5	E1005	Bolt M5X25	3	



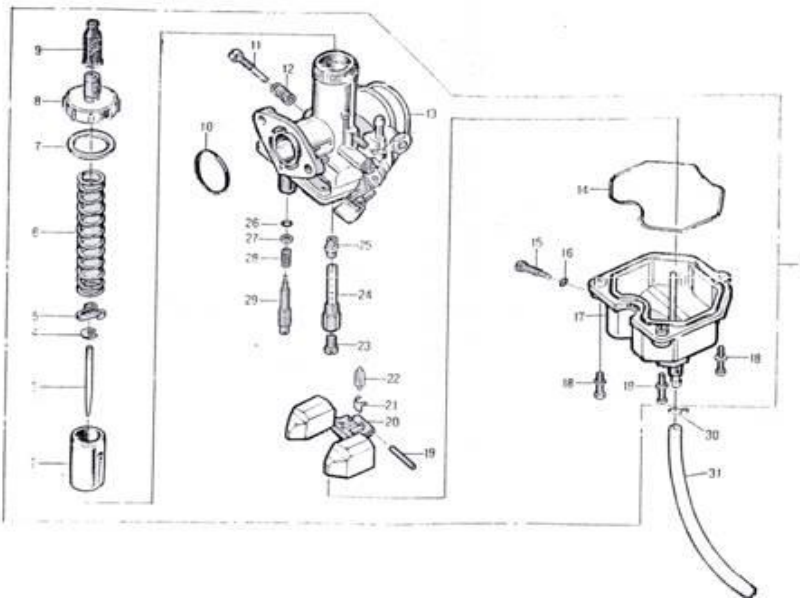
E-11 Electric Starting Mechanism

REF. NO.	PART NO.	DESCRIPTION	Q.T.Y	
1	E1101	Starting Motor Assy.	1	
2	E1102	Double Gear Shaft	1	
3	E1103	Washer 10.5X0.5X18	4	
4	E1104	Double Gear 1	1	
5	E1105	Double Gear 2	1	
6	E1106	Screw M8X18	3	
7	E1107	Outer Cover	1	
8	E1108	Side Cover	1	
9	E1109	Starting Motor ,driven Sprocket	1	
10	E1110	spring , Starting Clutch Roller	3	
11	E1111	Starting Clutch Socket spring	3	
12	E1112	Starting Clutch Roller	3	
13	E1113	Starting Clutch Assy.	3	



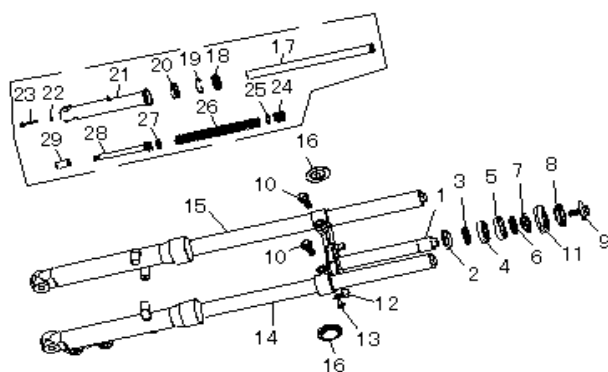
E-12 Carburetor

REF. NO.	PART NO.	DESCRIPTION	Q.T.Y
1	E1201	Carburetor assy.	1
2	E1202	Valve piston	1
3	E1203	Needle JET	1
4	E1204	Needle clip	1
5	E1205	Clip	1
6	E1206	Spring	1
7	E1207	Gasket	1
8	E1208	Cover upper	1
9	E1209	Grommet cable	1
10	E1210	Seal	1
11	E1211	Screw ,adjuster valve	1
12	E1212	Spring ,adjuster screw	1
13	E1213	Body carburetor	1
14	E1214	Seal loop	1
15	E1215	Screw, drain oil	1
16	E1216	Seal ring	1
17	E1217	Body float assy.	1
18	E1218	Screw unit M4×16	3
19	E1219	Pin float	1
20	E1220	Float	1
21	E1221	Hook, needle	1
22	E1222	Needle, float	1
23	E1223	Main jet	1



E-12 Carburetor

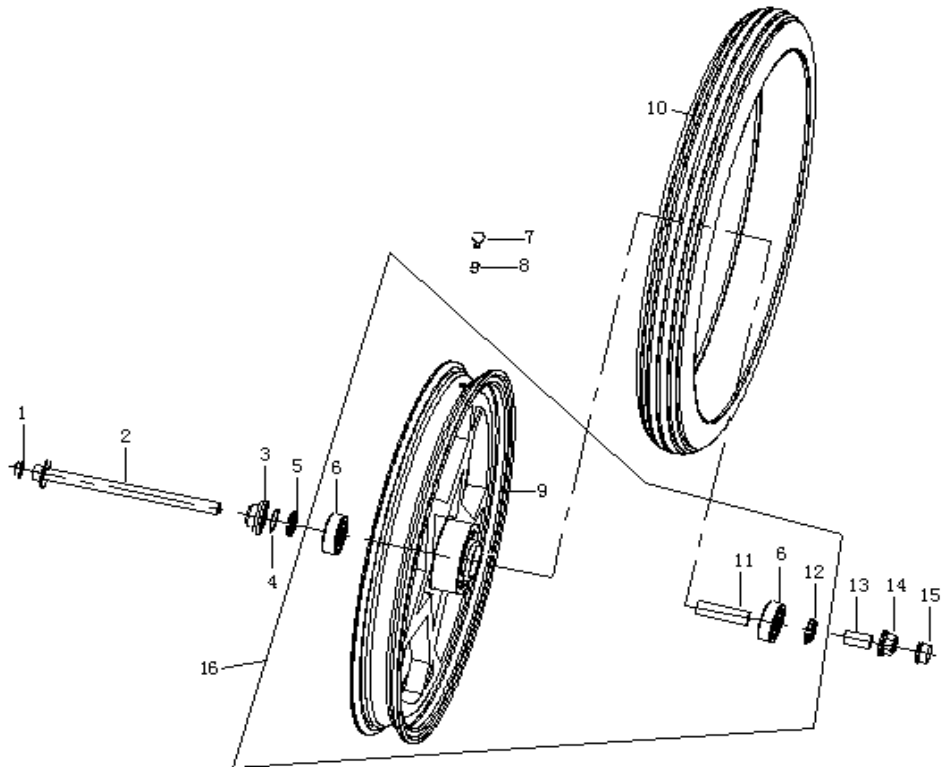
REF. NO.	PART NO.	DESCRIPTION	Q.T.Y	
24	E1224	Needle jet	1	
25	E1225	Jet pilot	1	
26	E1226	O-ring, adjusting idle	1	
27	E1227	Washer, adjusting idle	1	
28	E1228	Spring adjusting idle	1	
29	E1229	Screw	1	
30	E1230	Clip	1	
31	E1231	Hose ,oil drain	1	



F-1 FRONT ARM SUSPENSION

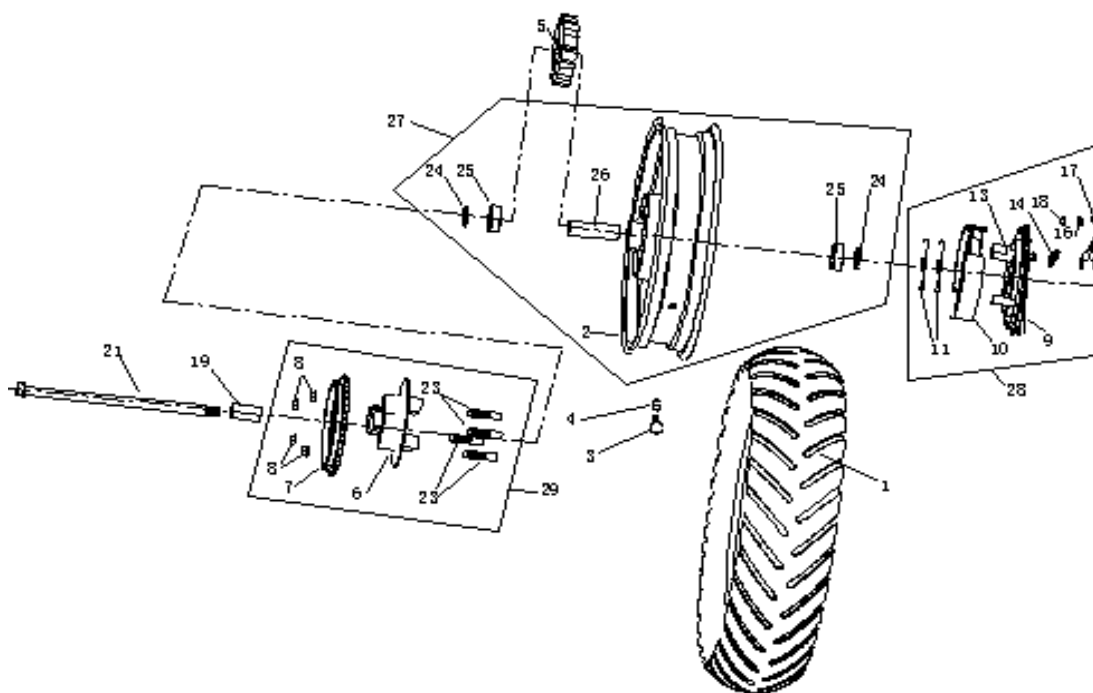
REF. NO. NO.	PART NO.	DESCRIPTION	Q.T.Y .T	
1	F0101	Steering Assy.	1	
2	F0102	base, bearing lower	1	
3	F0103	Bracket, ball lower	18	
4	F0104	Socket, frame lower	1	
5	F0105	Socket, frame upper	1	
6	F0106	Ball, upper	22	
7	F0107	base, upper ball	1	
8	F0108	Nut M25	1	
9	F0109	Bolt M10×1.25×25	1	
10	F0110	Bolt M10×30	2	
11	F0111	Cover, protecting	1	
12	F0112	Cable clip	1	
13	F0113	Bolt M6x12	1	
14	F0114	Front Absorber LH	2	
15	F0115	Front Absorber RH	2	
16	F0116	Side emitter	2	
17	F0117	Inner tube, FR fork	1	
18	F0118	Seal, FR fork	1	
19	F0119	Washer, FR fork	1	
20	F0120	Oil seal, FR fork	1	
21	F0121	Tube	1	
22	F0122	Washer	1	
23	F0123	Bolt	1	
24	F0124	Special nut	1	
25	F0125	O ring	1	
26	F0126	Main spring	1	
27	F0127	Piston ring	1	
28	F0128	Piston	1	

29	F0129	Joint, oil block	1
----	-------	------------------	---



F-2 FRONT WHEEL

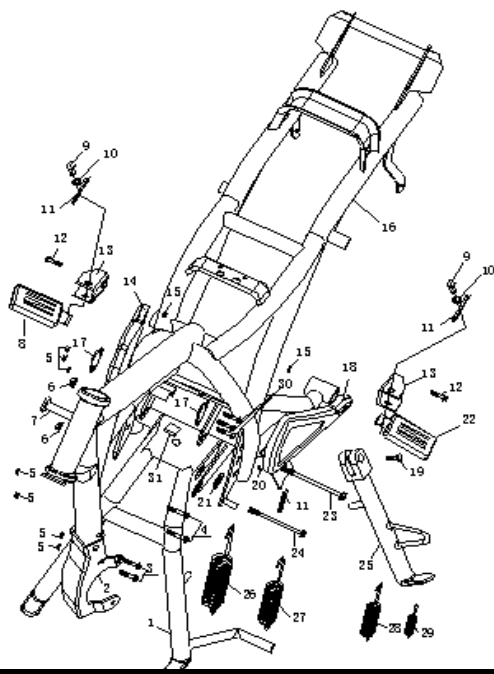
REF. NO. NO.	PART NO.	DESCRIPTION	Q.T.Y .T
1	F0201	Cap, LH	1
2	F0202	Axle, front wheel	1
3	F0203	counter	30
4	F0204	Circlip	1
5	F0205	Oil seal, FR wheel LH	2
6	F0206	Ball	2
7	F0207	Cap valve intake	1
8	F0208	Valve, intake	1
9	F0209	Rim, front wheel	2
10	F0210	Tire Comp, front	10
11	F0211	tube	1
12	F0212	Oil seal	2
13	F0213	Spacer	1
14	F0214	Nut M12	1
15	F0215	Cap	1
16	F0216	Front rim assy.	1



F-3 REAR WHEEL

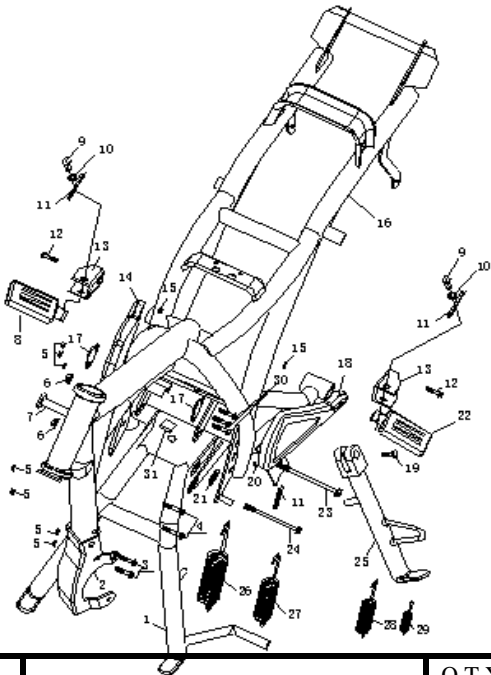
REF. NO. NO.	PART NO.	DESCRIPTION	Q.T.Y .T	
1	F0301	Tire, rear wheel	10	
2	F0302	Rim, rear wheel	2	
3	F0303	Valve, intake	1	
4	F0304	Cap valve intake	1	
5	F0305	Cushion, rear wheel	4	
6	F0306	Guide chain	1	
7	F0307	Sprocket	10	
8	F0308	Nut M10×1.25	4	
9	F0309	Panel, rear brake	1	
10	F0310	Shoe, rear brake	10	
11	F0311	Spring, rear brake	2	
12	F0312	rocker, brake cam	1	
13	F0313	Cam shaft, rear brake	1	
14	F0314	indicator	1	
15	F0315	Bolt M6×35	1	
16	F0316	Plain Washer 6	2	
17	F0317	Spring Washer 6	1	
18	F0318	Nut M6	1	
19	F0319	Spacer, rear axle L	1	
20	F0320	Spacer, rear axle R	1	
21	F0321	Axle, rear wheel	1	
22	F0322	Nut M14	1	
23	F0323	Bolt	4	
24	F0324	Oil seal	2	

25	F0325	Ball	2	
26	F0326	tube	1	
27	F0327	Rear rim assy.	1	
28	F0328	Rear brake assy.	1	
29	F0329	Sprocket seat assy.	1	



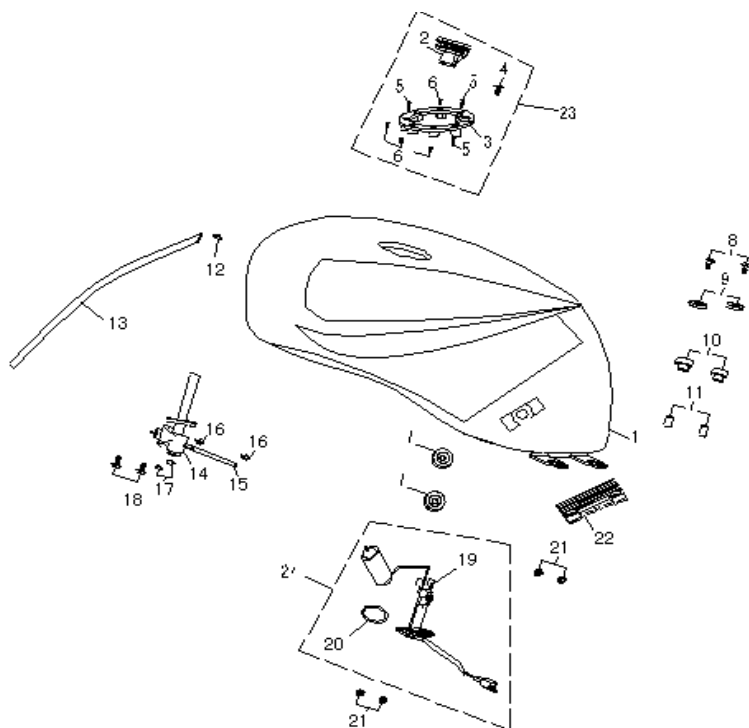
F-4 FRAME

REF. NO.	PART NO.	DESCRIPTION	Q.T.Y	.T
1	F0401	Double stand	4	
2	F0402	Swinger	1	
3	F0403	Bolt M8×70	2	
4	F0404	Bolt M8×90	2	
5	F0405	Nut M8	7	
6	F0406	Nut M10	2	
7	F0407	Axle, double stand	1	
8	F0408	Pedal, LH& RH	6	
9	F0409	Pin shaft	2	
10	F0410	Washer 6	2	
11	F0411	Uncork pin 2x22	3	
12	F0412	Bolt M8×45	2	
13	F0413	Bracket, pedal	2	
14	F0414	Link board, RH	1	
15	F0415	Nut M6	2	
16	F0416	Frame	1	
17	F0417	Plate, upper	2	
18	F0418	Joint board	1	



F-4 FRAME

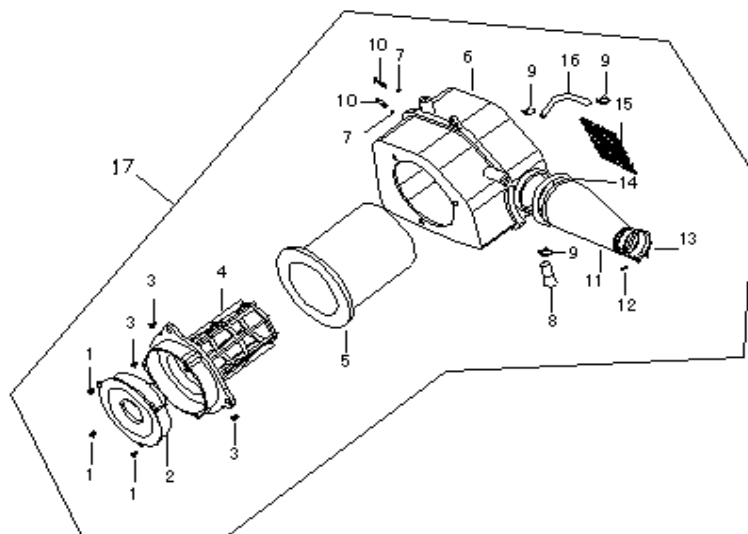
REF. NO.	PART NO.	DESCRIPTION	Q.T.Y	.T
19	F0419	Bolt , sole stand	1	
20	F0420	Nut M10	1	
21	F0421	Washer 16	1	
22	F0422	Pedal, RH RR	6	
23	F0423	Axle	1	
24	F0424	Axle	1	
25	F0425	Stand, prop	1	
26	F0426	Spring, double stand	1	
27	F0427	Spring, sole stand	1	
28	F0428	Spring ,double stand	1	
29	F0429	Spring	1	
30	F0430	Bolt M8×50	3	
31	F0431	rubber	1	



F-5 FUEL TANK

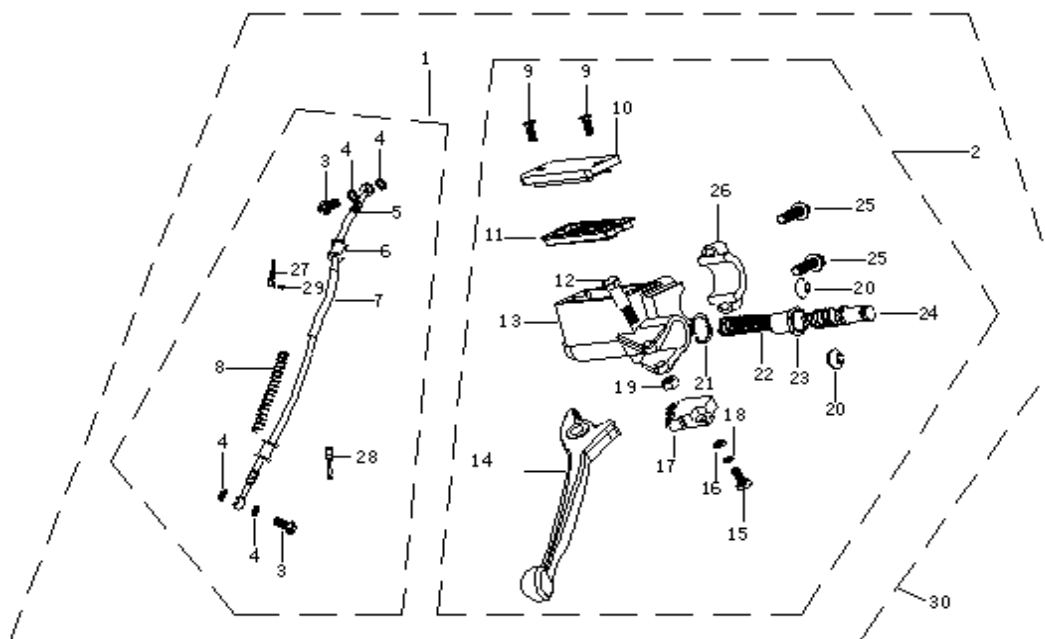
REF. NO.	PART NO.	DESCRIPTION	Q.T.Y	.T
1	F0501	Fuel Tank Assy. HONDA RED	4	
		Fuel Tank Assy. SUZUKI RED	4	
		Fuel Tank Assy. SUZUKI BLUE	4	
2	F0502	Cap	1	
3	F0503	Lock	1	
4	F0504	Screw ST4.8×9.5	1	
5	F0505	Screw 4.8x8	4	
6	F0506	Screw 4.8x20	3	
7	F0507	Cushion	1	
8	F0508	Bolt M6×35	2	
9	F0509	Washer 6	2	
10	F0510	washer	2	
11	F0511	bushing	2	
12	F0512	Clip	1	
13	F0513	tube	1	
14	F0514	Switch, fuel tank	1	
15	F0515	Hose	1	
16	F0516	Clip	2	
17	F0517	Ring 6x1.8	2	
18	F0518	Bolt M6×16	2	
19	F0519	Fuel level sensor	1	
20	F0520	Rubber 38	1	
21	F0521	Nut M6	4	
22	F0522	Tube	1	
23	F0523	Oil cover	1	

24	F0524	Fuel sensor	1
----	-------	-------------	---



F-6 AIR CLEANER

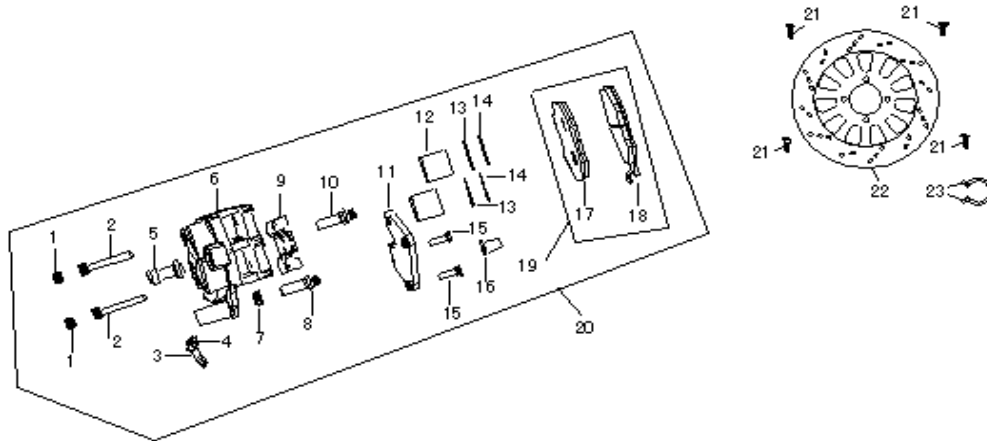
REF. NO.	PART NO.	DESCRIPTION	Q.T.Y	
			.T	
1	F0601	Screw ST4.2X13	3	
2	F0602	Cover, air cleaner	1	
3	F0603	Screw st4.8x16	3	
4	F0604	Rack, filter core	1	
5	F0605	Filter core	20	
6	F0606	Air cleaner body	1	
7	F0607	Nut	2	
8	F0608	Tube ,oil drain	1	
9	F0609	Tube clip	3	
10	F0610	Bolt M6x8	1	
11	F0611	Tube, breather	1	
12	F0612	Bolt M5x30	1	
13	F0613	Loop	13	
14	F0614	Strip	1	
15	F0615	Web	1	
16	F0616	Tube	1	
17	F0617	Filter assy.	1	



F-7 FRONT DETENT

REF. NO.	PART NO.	DESCRIPTION	Q.T.Y	
1	F0701	Tube, brake	4	
2	F0702	Pump assy. Brake	4	
3	F0703	Bolt ,oil pipe	2	
4	F0704	Washer	4	
5	F0705	Oil pipe assy.	1	
6	F0706	Washer	2	
7	F0707	Tube	2	
8	F0708	Reed	2	
9	F0709	Screw M4X10	2	
10	F0710	Cover, pump	1	
11	F0711	Cover	1	
12	F0712	Bolt	1	
13	F0713	Pump body	1	
14	F0714	Brake lever	1	
15	F0715	Screw M4X10	1	
16	F0716	Washer	1	
17	F0717	Switch	20	
18	F0718	Washer	1	
19	F0719	Nut	1	
20	F0720	rubber	1	
21	F0721	Circlip	1	
22	F0722	Spring	1	
23	F0723	Seal	1	
24	F0724	Pump piston	1	
25	F0725	Bolt M6x22	2	
26	F0726	Socket	1	

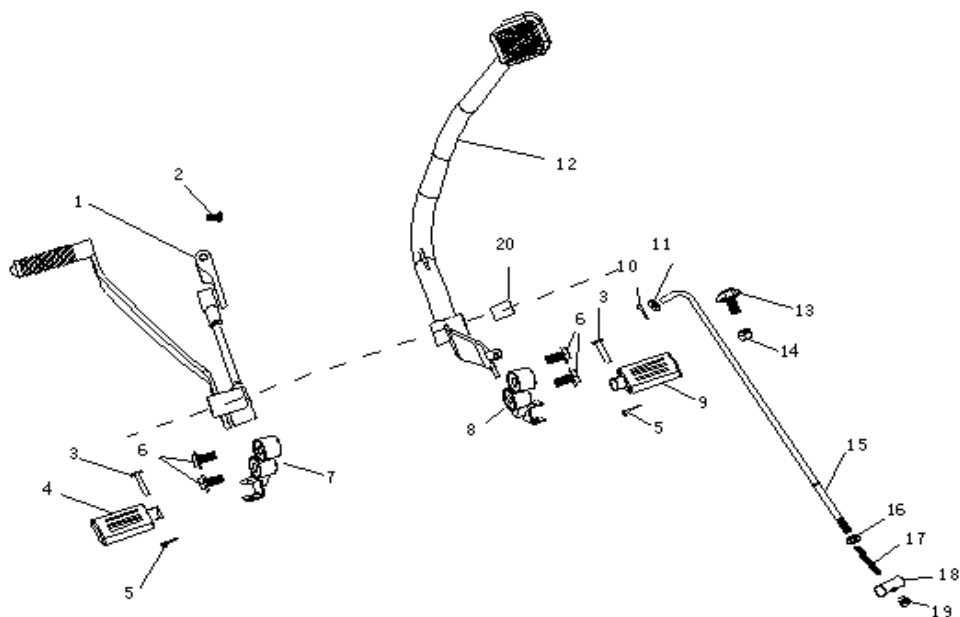
27	F0727	Cable grip ,upper	1	
28	F0728	Cable grip, lower	1	
29	F0729	Bolt M6x12	1	
30	F0730	Brake assy,upper	1	



F-8 PUMP ASSY

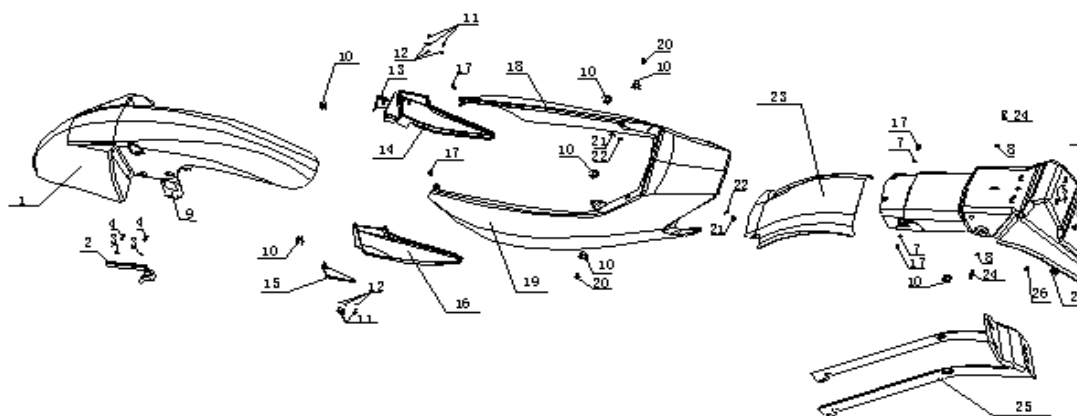
REF. NO.	PART NO.	DESCRIPTION	Q.T.Y	
			.T	
1	F0801	Cap	2	
2	F0802	Bolt	2	
3	F0803	Screw	1	
4	F0804	Rubber cover	1	
5	F0805	Amortize	1	
6	F0806	pump lower	1	
7	F0807	seal	1	
8	F0808	lubrication shaft, lower	1	
9	F0809	location sheet	1	
10	F0810	axle, lubrication	1	
11	F0811	install board	1	
12	F0812	piston	2	
13	F0813	seal washer, inner	2	
14	F0814	seal washer, out	2	
15	F0815	bolt M8x30	2	
16	F0816	nut	1	
17	F0817	pedal, brake LH	1	
18	F0818	pedal , brake RH	1	
19	F0819	brake pad assy	20	
20	F0820	pump assy, lower	6	
21	F0821	bolt M8x20	4	

22	F0822	disk	6	
23	F0823	lock	2	



F-9 BRAKE PEDAL-FOOTREST

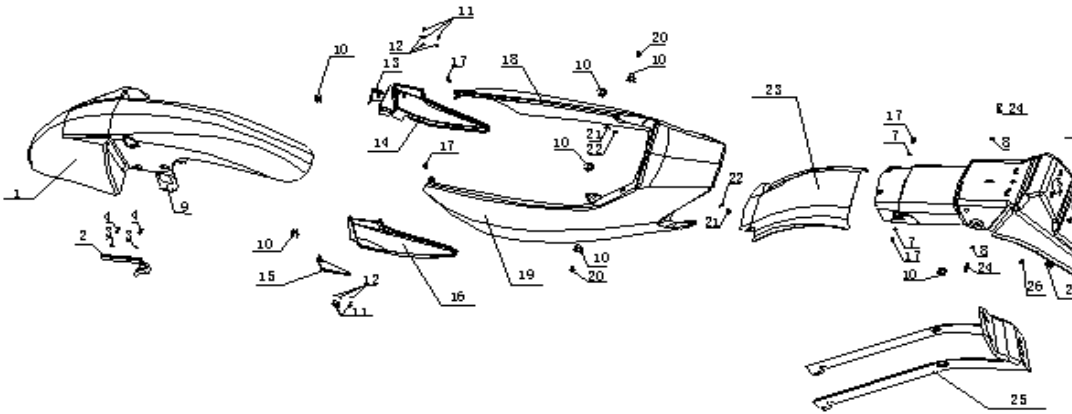
REF. NO.	PART NO.	DESCRIPTION	Q.T.Y	
1	F0901	gearshift lever	10	
2	F0902	bolt M6x20	1	
3	F0903	axle	2	
4	F0904	pad LH	6	
5	F0905	uncork pin	2	
6	F0906	bolt M10x30	4	
7	F0907	bracket LH	6	
8	F0908	Bracket RH	6	
6	F0909	Pad LH FR	1	
10	F0910	uncork pin	1	
11	F0911	plain washer 6	1	
12	F0912	pedal brake	1	
13	F0913	bolt M8x35	1	
14	F0914	nut M8	1	
15	F0915	lever, pull	4	
16	F0916	washer 6	1	
17	F0917	return spring	1	
18	F0918	joint	1	
19	F0919	adjust nut	1	
20	F0920	bush	1	



F-10 COVER

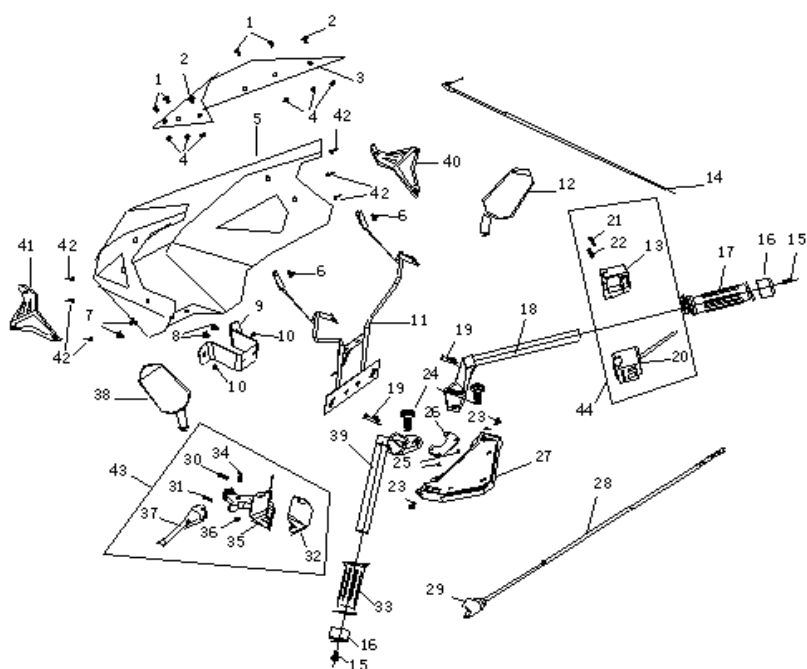
REF. NO. NO.	PART NO.	DESCRIPTION	Q.T.Y .T	
1	F1001	Fender, front Honda, Suzuki red, blue	3	
2	F1002	cable grip	1	
3	F1003	washer 8	4	
4	F1004	bolt M8x12	4	
5	F1005	bracket, license	1	
6	F1006	bolt M6x12	2	
7	F1007	nut M6	4	
8	F1008	nut M8	2	
9	F1009	bracket , fender	1	
10	F1010	rubber	7	
11	F1011	ST3.9X13	6	
12	F1012	washer 4	6	
13	F1013	cover, breather RH	1	
14	F1014	side board RH Honda, Suzuki red, blue	3	
15	F1015	breather, LHHonda, Suzuki red, blue	3	
16	F1016	side cover LHHonda, Suzuki red, blue	3	
17	F1017	BOLT M6X16	4	
18	F1018	guide board RHHonda, Suzuki red, blue	3	
19	F1019	guide board LHHonda, Suzuki red, blue	3	
20	F1020	Bolt m8x12	2	
21	F1021	screw M6X12	2	
22	F1022	nut M6	2	

23	F1023	front part, fender	1
----	-------	--------------------	---



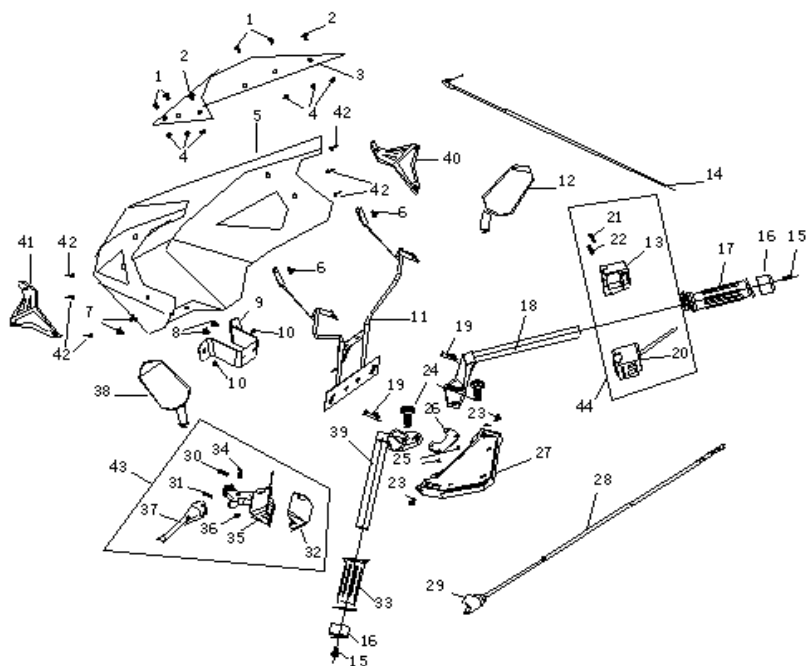
F-10 COVER

REF. NO. NO.	PART NO.	DESCRIPTION	Q.T.Y .T
24	F1024	bolt M8X53	2
25	F1025	bracket, fender	4
26	F1026	nut M5	1
27	F1027	washer 5	1
28	F1028	rear part ,fender	3
29	F1029	rear emitter	1



F-11 HANDLE BAR

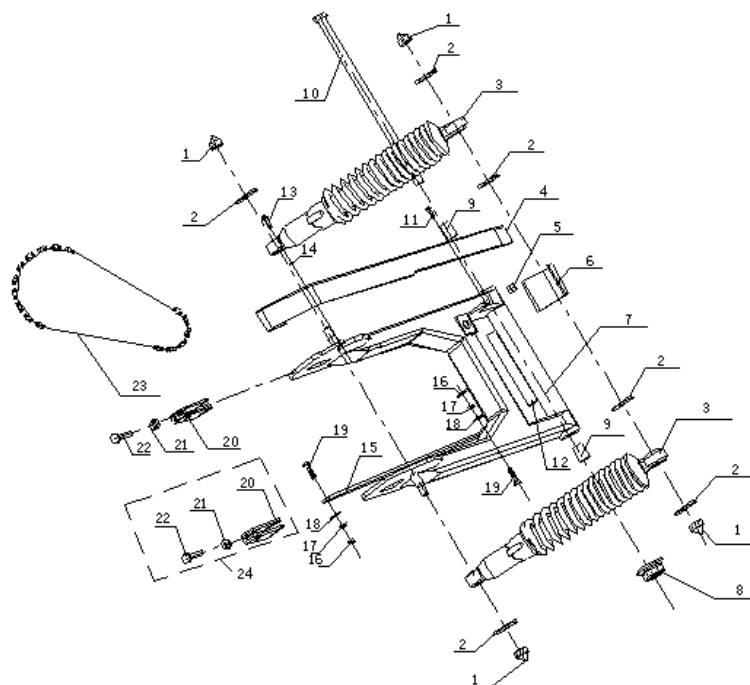
REF. NO.	PART NO.	DESCRIPTION	Q.T.Y	.T
1	F1101	screw M6X12	4	
2	F1102	Bolt m6x12	2	
3	F1103	glass	20	
4	F1104	nut M6	6	
5	F1105	wind cover Honda, Suzuki red, blue	2	
6	F1106	bolt M6x16	2	
7	F1107	bolt M6x20	2	
8	F1108	bolt M6x16	2	
9	F1109	small bracket, wind cover	1	
10	F1110	nut M6	2	
11	F1111	bracket, wind cover	6	
12	F1112	mirror RH	1	
13	F1113	socket lower, switch	1	
14	F1114	throttle cable	1	
15	F1115	bolt M6X35	2	
16	F1116	decoration part	2	
17	F1117	throttle cover	1	
18	F1118	steering grip RH	1	
19	F1119	strip	2	



F-11 HANDLE BAR

REF. NO.	PART NO.	DESCRIPTION	Q.T.Y	T
20	F1120	upper socket, switch	1	
21	F1121	screw M5x20	1	
22	F1122	screw M5x16	1	
23	F1123	bolt M8x35	2	
24	F1124	bolt M8x35	2	
25	F1125	bolt M6x20	2	
26	F1126	bracket, switch	1	
27	F1127	upper link plate	1	
28	F1128	cable,clutch	8	
29	F1129	jacket, handle grip	1	
30	F1130	screw M5x20	1	
31	F1131	screw M5x16	1	
32	F1132	upper socket, LH switch	1	
33	F1133	jacket	1	
34	F1134	screw M5x20	1	
35	F1135	lower socket, LH switch	1	
36	F1136	nut M5	1	
37	F1137	grip, LH	20	
38	F1138	Mirror	1	
39	F1139	steering pole	1	
40	F1140	windproof-plate RH	6	

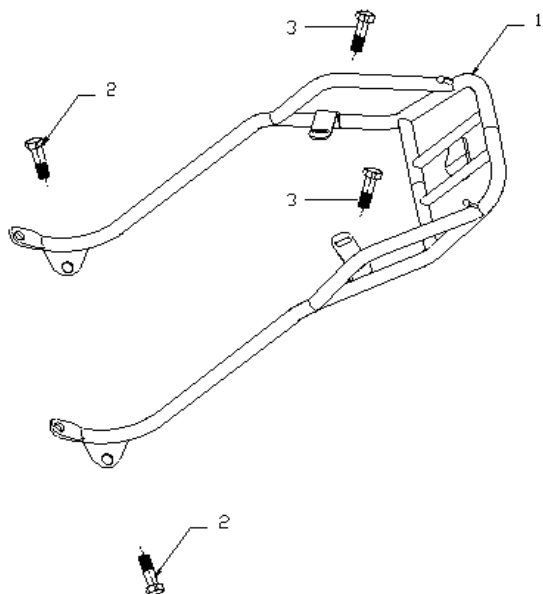
41	F1141	windproof-plate LH	6	
42	F1142	screw	6	
43	F1143	Brake handle,LH	1	
44	F1144	Brake handle,RH	1	



F-12 REAR ARM SUSPENSION

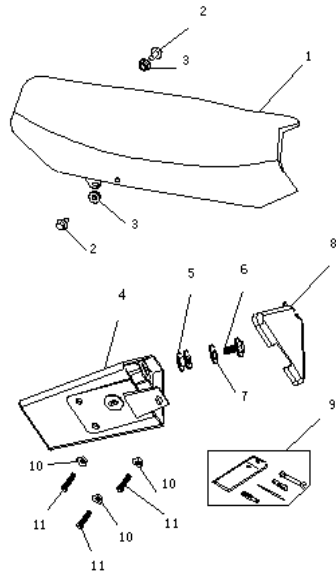
REF. NO.	PART NO.	DESCRIPTION	Q.T.Y	
			.T	
1	F1201	nut M10	4	
2	F1202	Washer 10	6	
3	F1203	Absorber, rear	2	
4	F1204	Case, chain	1	
5	F1205	washer	1	
6	F1206	slider	1	
7	F1207	fork , rear	4	
8	F1208	Nut M14×1.25	1	
9	F1209	Bush	2	
10	F1210	Shaft, swinging arm	1	
11	F1211	Bolt M6×12	1	
12	F1212	tube, fork	1	
13	F1213	Bolt M6×20	1	
14	F1214	Washer6	1	
15	F1215	Torque Link, rear	1	
16	F1216	uncork pin 2x20	2	
17	F1217	nut M8	2	
18	F1218	Washer 8	2	
19	F1219	botl M8x30	2	

20	F1220	Adjustor, chain	6	
21	F1221	nut M8	6	
22	F1222	bolt M8x40	6	
23	F1223	Chain, 08B-118	6	
24	F1224	Adjuster,cam chain	2	



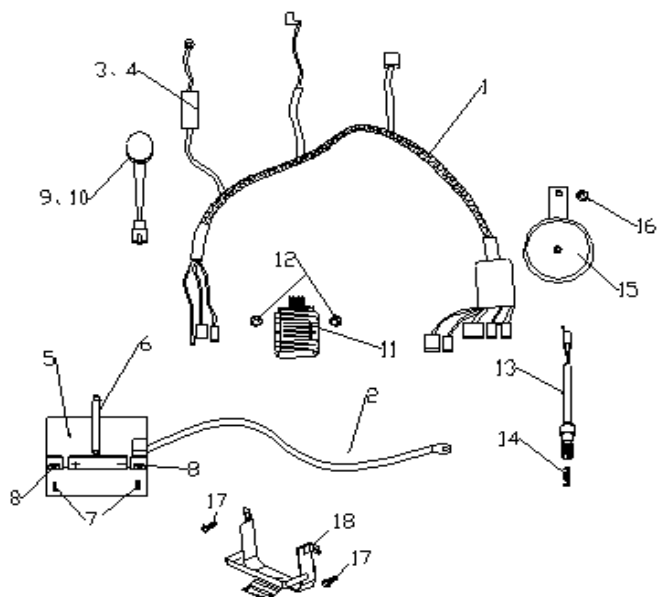
F-13 LUGGAGE CARRIER WELDING ASSY

REF. NO.	PART NO.	DESCRIPTION	Q.T.Y	
1	F1301	Luggage CARRIER	10	
2	F1302	Bolt M6x25	2	
3	F1303	Bolt M6x25	2	



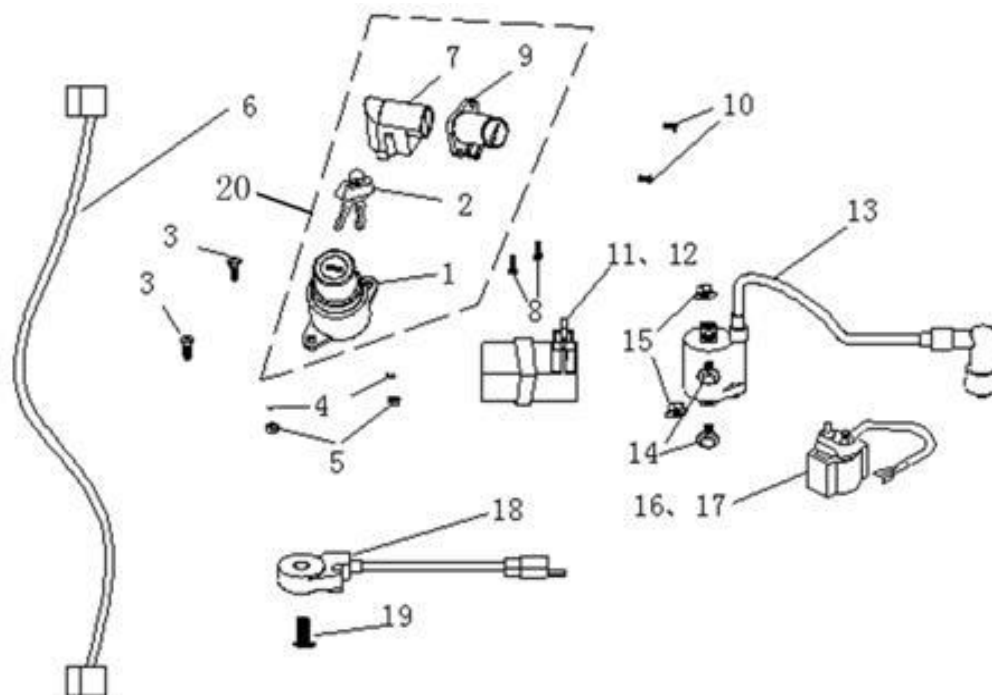
F-14 SEAT

REF. NO.	PART NO.	DESCRIPTION	Q.T.Y	
1	F1401	cushion	4	
2	F1402	Bolt M8	2	
3	F1403	Nut M8	2	
4	F1404	toolbox	1	
5	F1405	washer	1	
6	F1406	bolt M6x20	1	
7	F1407	washer 6	1	
8	F1408	cover, toolbox	1	
9	F1409	tool bad	1	
10	F1410	nut M6	3	
11	F1411	screw m6x16	3	



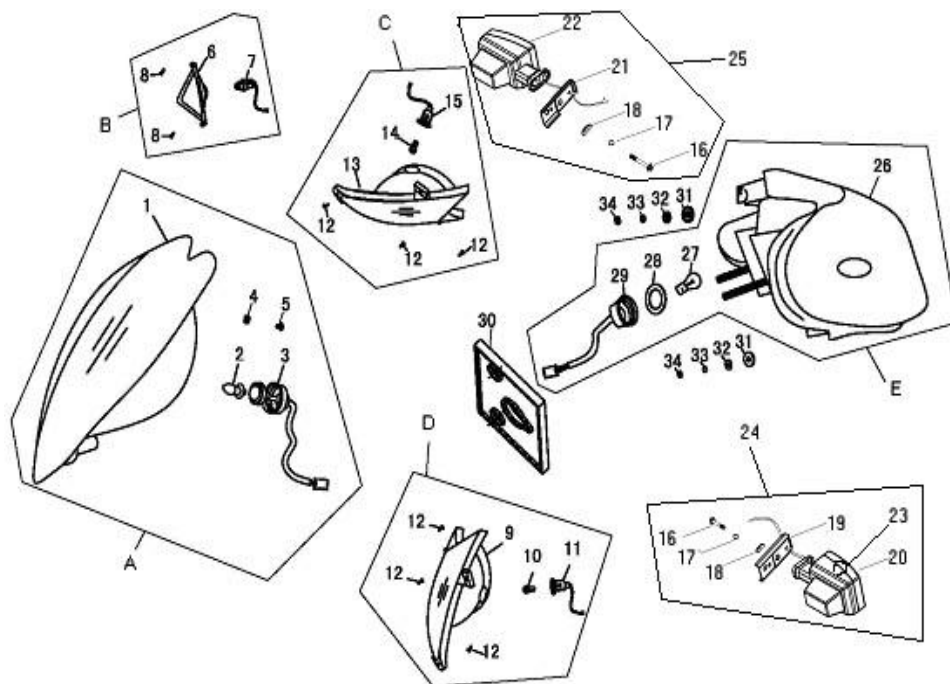
F-15 POWER WIRE

REF. NO.	PART NO.	DESCRIPTION	Q.T.Y	
1	F1501	cable, main	4	
2	F1502	negative cable	1	
3	F1503	fuse	1	
4	F1504	fuse case	1	
5	F1505	battery	1	
6	F1506	strip	1	
7	F1507	nut M6x12	2	
8	F1508	nut M6	2	
9	F1509	flasher	1	
10	F1510	jacket, flasher	1	
11	F1511	rectifier	10	
12	F1512	bolt M6x14	2	
13	F1513	switch, rear brake	20	
14	F1514	spring, rear brake switch	1	
15	F1515	horn	1	
16	F1516	bolt M8x12	1	
17	F1517	bolt M6x16	2	
18	F1518	bracket	1	



F-16 IGNITION SYSTEM

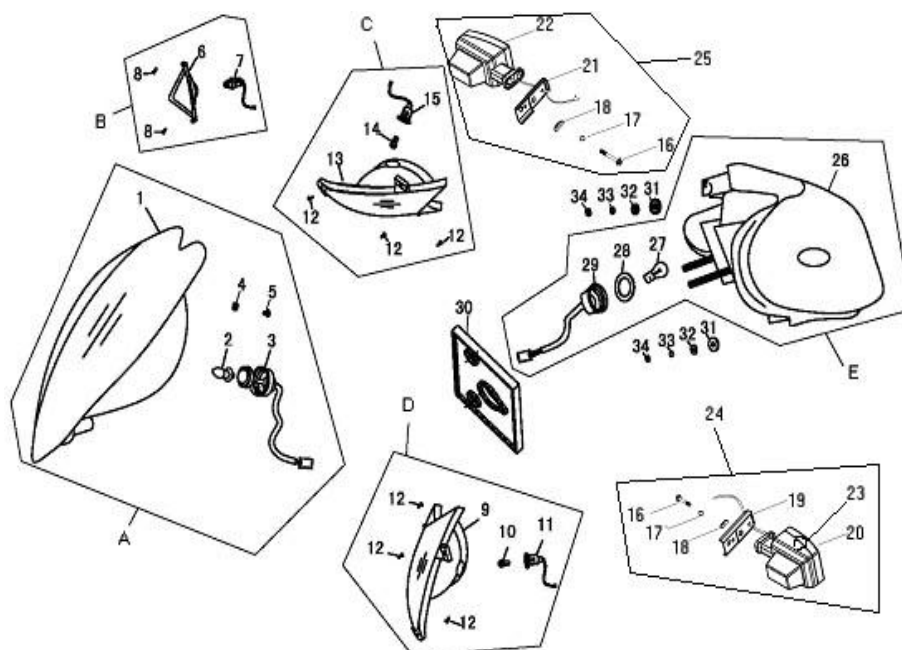
REF. NO.	PART NO.	DESCRIPTION	Q.T.Y	T
1	F1601	Switch , ignition	10	
2	F1602	Key	20	
3	F1603	Screw M6x16	2	
4	F1604	Washer 6	2	
5	F1605	Nut M6	2	
6	F1606	Positive cable	1	
7	F1607	Lock, steering	10	
8	F1608	Screw M5x10	2	
9	F1609	Lock, cushion	10	
10	F1610	Screw M6x10	2	
11	F1611	CDI	1	
12	F1612	Jacket, CDI	1	
13	F1613	Coil, ignition	1	
14	F1614	Bolt M6x16	2	
15	F1615	Nut M6	2	
16	F1616	Relay	1	
17	F1617	Jacket, relay	1	
18	F1618	Switch ,flameout	1	
19	F1619	Screw M6x16	1	
20	F1620	Main lock	1	



F-17 LIGHTING-LIGHT-SIGNALLING

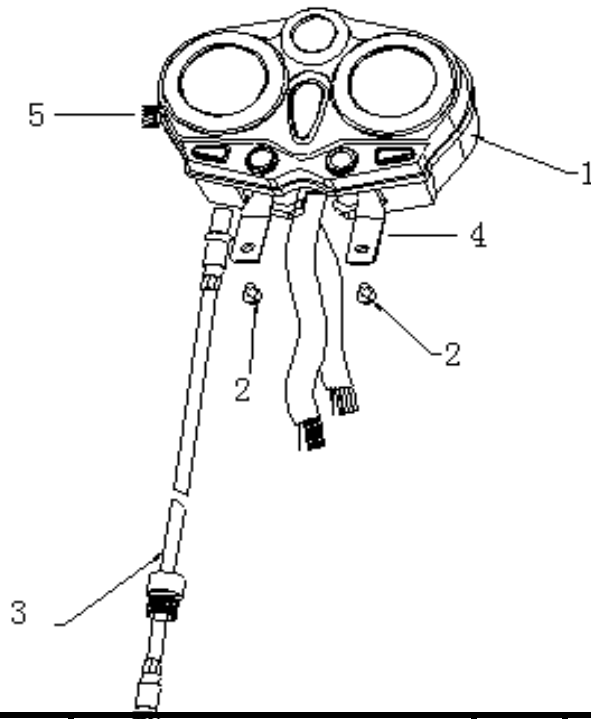
REF. NO.	PART NO.	DESCRIPTION	Q.T.Y	
1	F1701	Head lamp assy.	6	
2	F1702	Bulb	1	
3	F1703	Socket	1	
4	F1704	Nut M5	1	
5	F1705	Bolt M5×13	1	
6	F1706	Faucet, position lamp	6	
7	F1707	Bulb	1	
8	F1708	Screw ST2.9X18	2	
9	F1709	Shell, turning lamp	1	
10	F1710	Bulb,Turning lamp	1	
11	F1711	Bulb, turning lamp	1	
12	F1712	Screw ST4.2X13	6	
13	F1713	Shell, turning lamp	1	
14	F1714	Bulb ,turning lamp	1	
15	F1715	Bulb turning lamp	1	
16	F1716	Spring Washer 6	2	
17	F1717	Washer 6	2	
18	F1718	Washer	2	
19	F1719	Bracket, turning lamp RR LH	1	
20	F1720	Turning lamp LH RR	1	
21	F1721	Bracket, turning lamp RH	1	
22	F1722	Turning lamp RH	1	
23	F1723	Bulb ,turning lamp	2	

24	F1724	Turn lamp assy. LH	1	
25	F1725	Turning lamp assy. RH	1	
26	F1726	Tail Light	1	



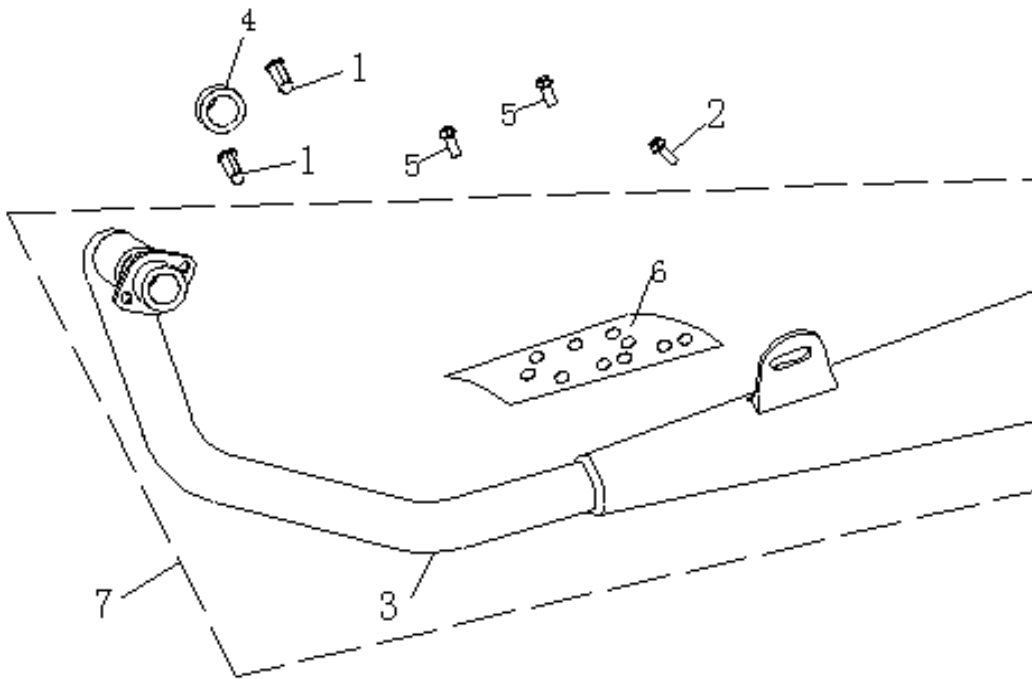
F-17 LIGHTING-LIGHT-SIGNALLING

REF. NO.	PART NO.	DESCRIPTION	Q.T.Y	
27	F1727	Bulb ,tail lamp	1	
28	F1728	seal	1	
29	F1729	Socket, tail lamp	1	
30	F1730	Washer	1	
31	F1731	Washer	2	
32	F1732	Washer 5	2	
33	F1733	Spring Washer 5	2	
34	F1734	Nut M5	2	
A	F17A	Lamp assy.	6	
B	F17B	Position lamp Assy.	6	
C	F17C	Turning lamp assy.LH	6	
D	F17D	Turning lamp assy. RH	6	
E	F17E	Tail lamp assy.	6	



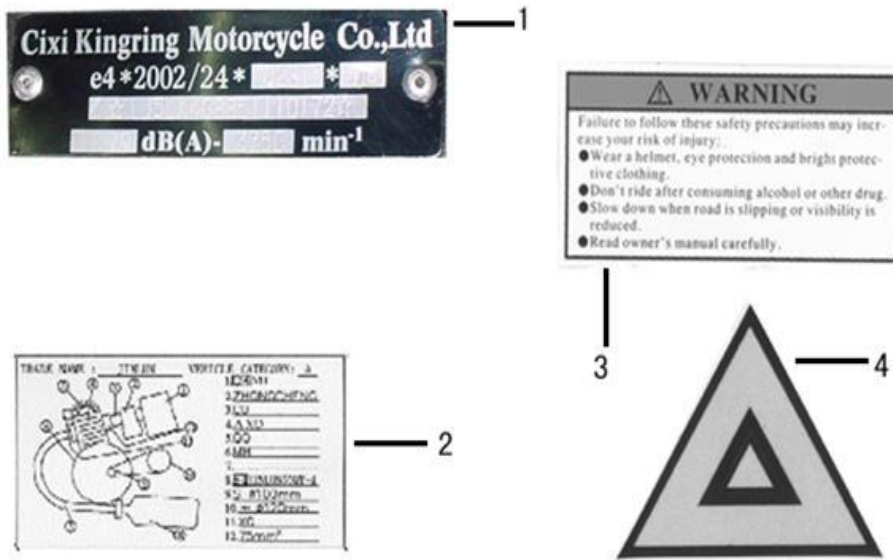
F-18 SPEEDOMETER

REF. NO.	PART NO.	DESCRIPTION	Q.T.Y	
1	F1801	Speedometer assy.	6	
2	F1802	Bolt M8×20	2	
3	F1803	Cable, speedometer	20	
4	F1804	Bracket, meter	1	
5	F1805	Button , speedometer	10	



F-19 MUFFLER

REF. NO.	PART NO.	DESCRIPTION	Q.T.Y	.T
1	F1901	Nut M8	20	
2	F1902	Bolt M8x25	1	
3	F1903	Displacement pipe	6	
4	F1904	Seal	30	
5	F1905	Bolt M6x10	2	
6	F1906	Decoration cover	6	
7	F1907	Exhaust assy.	1	



F-20 Mark

REF.NO.	PART NO.	DESCRIPTION	Q.T.Y
1	F2001		1
2	F2002		1
3	F2003		1
4	F2004		1