

JL125T-10 PARTS EXPLODE DR.

Edition No.: 01 , Year: 2007



CIXI KINGRING MOTORCYCLE CO

INDEX

E-1 CYLINDER ASSEMBLY.....1
 E-2 VALVE MECHANISM.....2
 E-3 CRANKCASE COVER.....3
 E-4 CLUTCH.....5
 E-5 OIL PUMP6
 E-6 CRANKCASE COMP.....7
 E-7 Crankshaft-Piston-Connecting Rod Comp.....9
 E-8 Transmission Mechanism.....11
 E-9 Gearshift Mechanism.....13
 E-10 Magneto Comp.....14
 E-11 Electric Starting Mechanism15
 E-12 Carburetor.....16
 F-1 HEADLIGHT.....
 F-2 SIGNAL LIGHT
 F-3 SPEEDMETER
 F-4 OPERATION SYSTEM.....
 F-5 DISK BRAKE
 F-6 FRONT FORK
 F-7 FRONT WHEEL
 F-8 FRONT FENDER-FRONTCOVER-FLOOR PEDAL.....
 F-9 SEAT
 F-10 BODY COVER-LUGGAGE BOX
 F-11 BATTERY
 F-12 FUEL TANK
 F-13 AIR CLEANER.....
 F-14 EXHAUST MUFFLER.....
 F-15 REAR FENDER.....
 F-16 REAR WHEEL.....
 F-17 MAIN STAND ASSY·SIDE STAND ASSY.....
 F-18 REAR SHOCK ABSORBER.....
 F-19 REAR CARRIER.....
 F-20 REAR LIGHT ASSY.....
 F-21 WIRE HARNESS.....
 F-22 FRAME BODY.....

Address: Kingring Developing Zone, Cixi,Ningbo, Zhejiang 315301, P.R.China

Tel:0086 574 63219030, 63218692,63218196;63218672

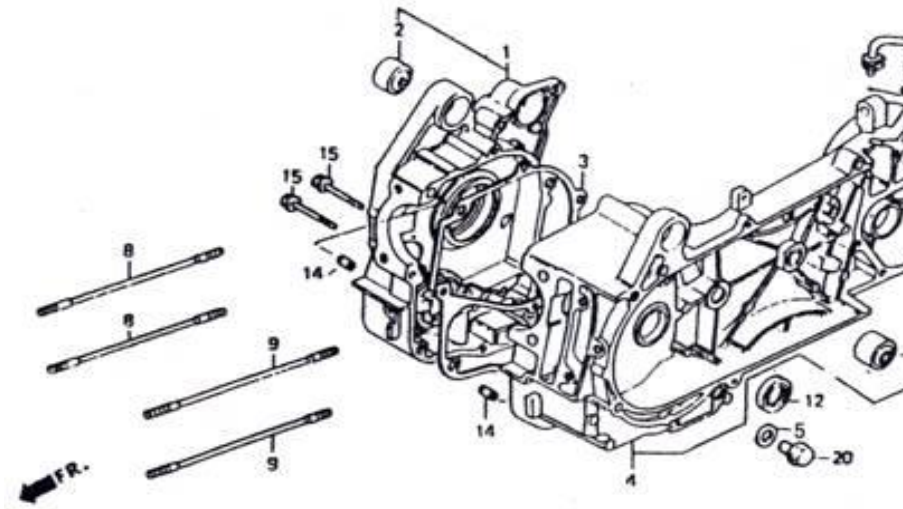
Fax: 0086 574 63218193

E-mail: motor@kingring.com

Website:www.kingringmotor.com; kingring.en.alibaba.com

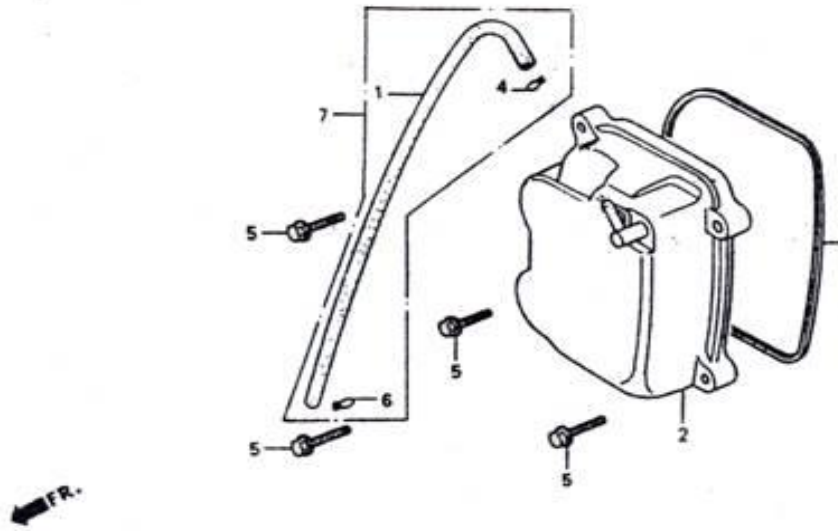
Attention: Please kindly note the latest unit prices (USD) in the below charts are updated every 1 month between USD and RMB(CNY-Chinese Yuan). Thank you

MONTH - YEAR:	March . 2014	
Current exchange rate:	7,8073	USD/RMB(CNY)



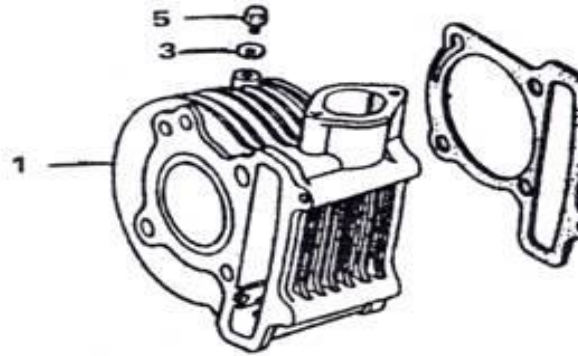
E-1 Crank case

REF.NO.	PART NO.	DESCRIPTION	Q.T.Y
1	E0101	CRANKCASE ASSY R	1
2	E0102	BUSH ENGINE HANGER RUBBER	2
3	E0103	GASKET CRANKCASE	1
4	E0104	CRANKCASE ASSY L	1
5	E0105	WASHER DRAIN PLUG 12MM	1
6	E0106	BUSHRR CUSHION UNDER RUBBER	1
7	E0107	TUBE BREATHER	1
8	E0108	BOLT STUD 8X187.5	2
9	E0109	BOLT STUD 8X195.5	2
10	E0110	BEARING RADIAL BALL 6201	1
11	E0111	BEARING RADIAL BALL 6004UU	1
12	E0112	OIL SEAL 19.8X30X5	1
13	E0113	OIL SEAL 27X42X7	1
14	E0114	PIN DOWEL 8X14	2
15	E0115	BOLT FLANGE 6X50	2
16	E0116	BEARING RADIAL BALL 6002	1
17	E0117	PIN BRAKE SHOE ANCHOR	1
18	E0118	O-RING 7.5X1.5	1
19	E0119	NUT FLANGE 8MM	1
20	E0120	BOLT DRAIN PLUG 12MM	1



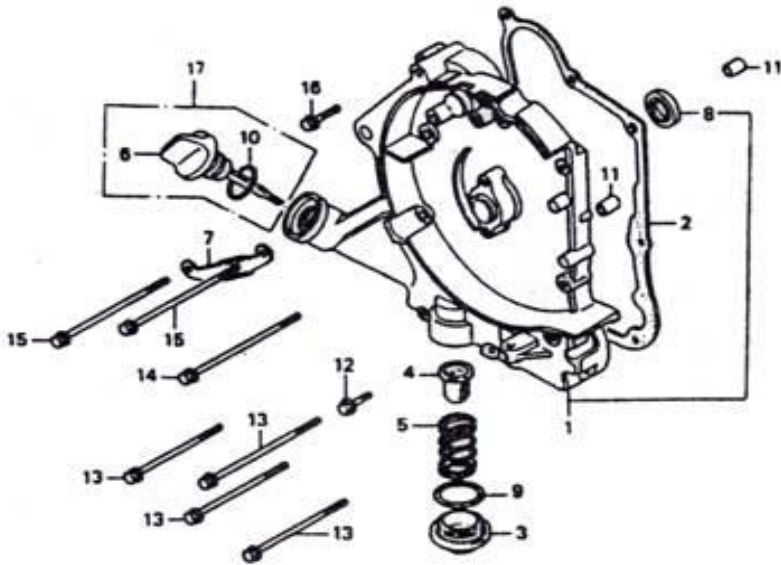
E-2 Cylinder Head Cover

REF.NO.	PART NO.	DESCRIPTION	Q.T.Y
1	E0201	TUBE BREATHER	1
2	E0202	COVER COMP CYLINDER HEAD	5
3	E0203	CASKET HEAD COVER	1
4	E0204	CLAMP TUBE(D8.5)	2
5	E0205	BOLT FLANGE 6X25	4
6	E0206	CLAMP HEAD COVER	1
7	E0207	TUBE BREATHER ASSY	1



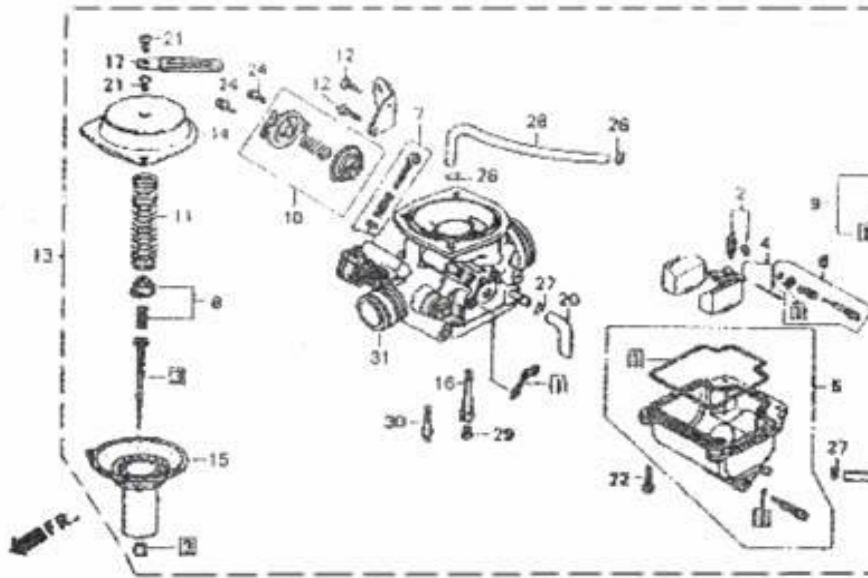
E-3 Cylinder

REF.NO.	PART NO.	DESCRIPTION	Q.T.Y
1	E0301	CYLINDER COMP	1
2	E0302	GASKET CYLINDER	1
3	E0303	WASHERSEALING 6.5MM	1
4	E0304	PIN DOEWL 10X16	2
5	E0305	BOLT FLANG 6X12	1



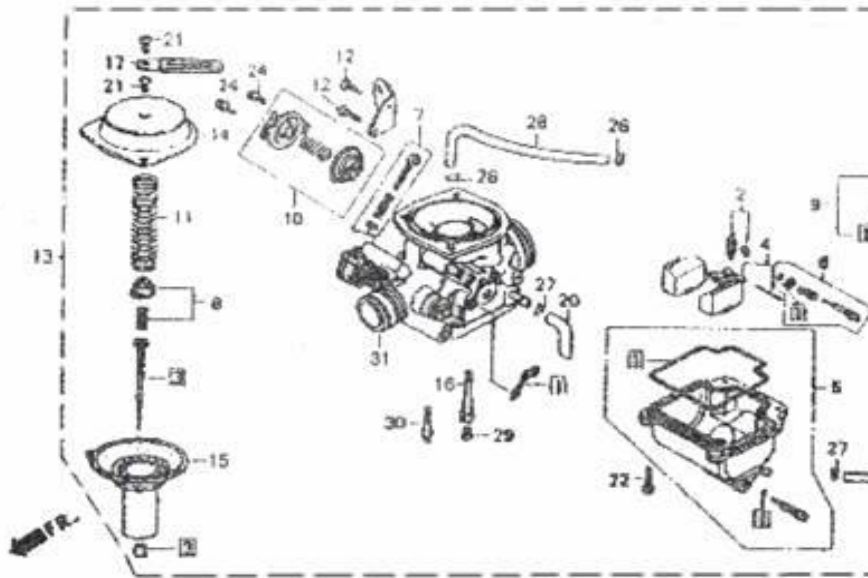
E-4 Right Crankcase Cover

REF.NO.	PART NO.	DESCRIPTION	Q.T.Y
1	E0401	COVER R CRANKCASE COMP	1
2	E0402	GASKET R CRANKCASE COVER	1
3	E0403	COVER OIL FILTER	1
4	E0404	SCREEN OIL FILTER	1
5	E0405	SPRING OIL FILTER SCREEN	1
6	E0406	GAUGE OIL LEVEL	1
7	E0407	CLAMPER A.C.GENERATOR CORD	1
8	E0408	OIL SEAL 19.8X30X5	1
9	E0409	O-RING 30.8MM	1
10	E0410	O-RING 18X3	1
11	E0411	PIN DOWEL 8X14	2
12	E0412	BOLT FLANGE 6X32	1
13	E0413	BOLT FLANGE 6X95	4
14	E0414	BOLT FLANGE 6X100	1
15	E0415	BOLT FLANGE 6X110	2
16	E0416	BOLT FLANGE 6X40	1



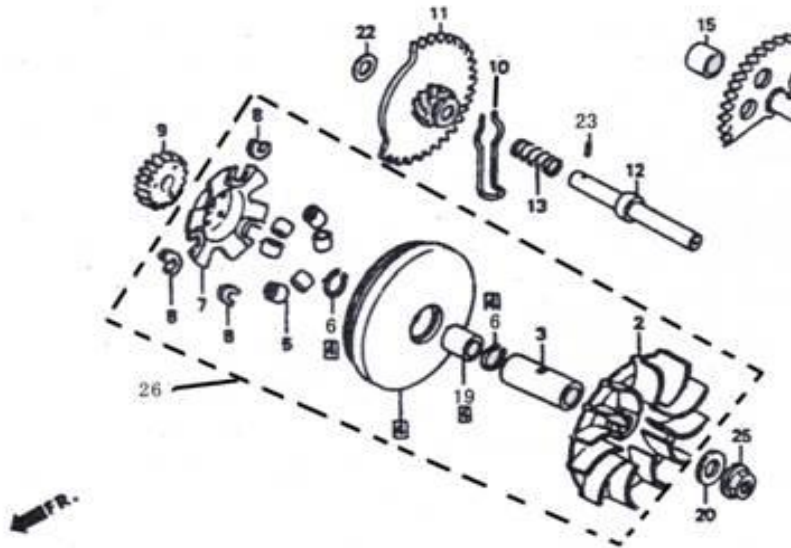
E-5 Carburetor

REF.NO.	PART NO.	DESCRIPTION	Q.T.Y
1	E0501	GASKET SET	1
2	E0502	VALVE SET FLDAT	1
3	E0503	NEEDLE SET JET	1
4	E0504	SET FLDAT	1
5	E0505	CHAMBER SET FLDAT	1
6	E0506	SCREW SET A	1
7	E0507	SCREW SET B	1
8	E0508	PLATE SET VALVE	1
9	E0509	VALVE SET STARTER	1
10	E0510	VALVE SET AIR CUT	1
11	E0511	SPRING COMPRESSION COIL	1
12	E0512	SCREW PAN 5X12	2
13	E0513	CARBURETOR ASSY	1
14	E0514	TOP COMP	1
15	E0515	PISTON COMP VACUUM	1
16	E0516	HOLDER NEEDLE JET	1
17	E0517	CLIP PLATE	1
18	E0518	CAP HOLDER	1
19	E0519	TUBE	1
20	E0520	TUBE	1
21	E0521	SCREW PAN 4X8	2
22	E0522	SCREW PAN 4X14	4
23	E0523	SCREW WASHER 4X8	2
24	E0524	SCREW WASHER 4X10	2
25	E0525	SCREW WASHER 5X12	2
26	E0526	CLIP B7 TUBE	2
27	E0527	CLIP B8 TUBE	2



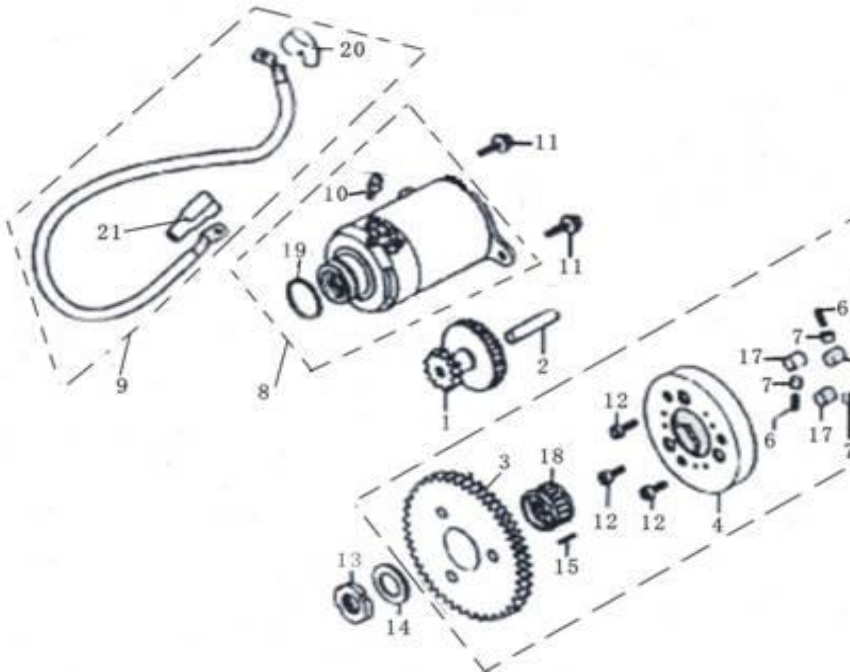
E-5 Carburetor

REF.NO.	PART NO.	DESCRIPTION	Q.T.Y
28	E0528	TUBE 3.5X210	1
29	E0529	JET MAIN #112	1
30	E0530	JET SLOW #35	1
31	E0531	CARBURETOR BODY	1



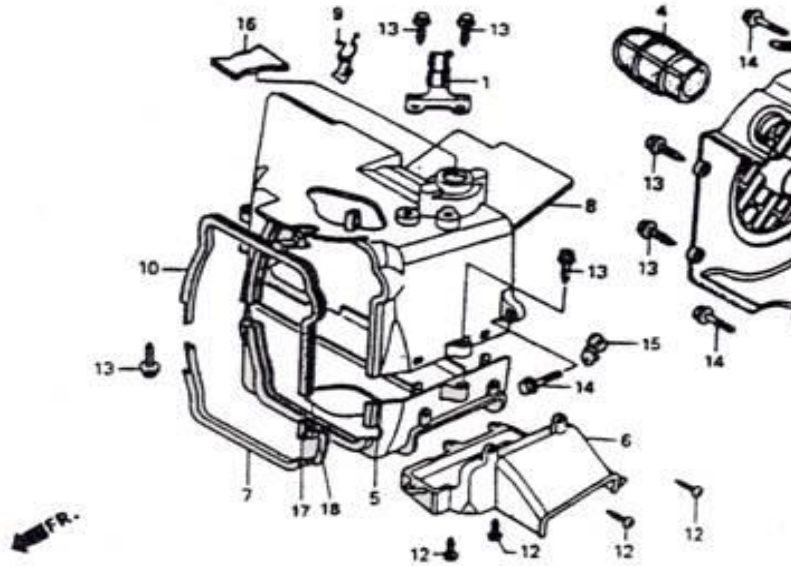
E-6 Drive Pulley

REF.NO.	PART NO.	DESCRIPTION	Q.T.Y
1	E0601	PLATE KICK RETURN STOPPER	1
2	E0602	FACE DRIVE	1
3	E0603	BOSS DRIVE FACE	1
4	E0604	FACE COMP MOVABLE DRIVE	1
5	E0605	ROLLER SET WEIGHT	6
6	E0606	CLIP 28MM	2
7	E0607	PLATE RAMP	1
8	E0608	POECE SLIDE	3
9	E0609	GEAR KICK DRIVEN(20T)	1
10	E0610	SPRING STARTER GEAR FRICTION	1
11	E0611	GRAR COMP STARTER IDLE(13T/49T)	1
12	E0612	SHAFT STARTER IDEL	1
13	E0613	SPRING STARTER IDEL	1
14	E0614	SPINDLE COMP KICK STARTER	1
15	E0615	BUSH 12X16X12	1
16	E0616	BUSH KICK SPINDLE 14X18X16	1
17	E0617	SPRING KICK STARTER	1
18	E0618	PIN SPECIAL 4.5MM	1
19	E0619	COLLAR DRIVE FACE	1
20	E0620	WASHER PLAIN 12MM	1
21	E0621	WASHER 14MM	1
22	E0622	WASHER 12.5MM	1
23	E0623	ROLLER 3X8.5	1
24	E0624	BOLT FLANGE 6X14	1
25	E0625	NUT FLANGE 12MM	1
26	E0626	DRIVER ASSY.	1



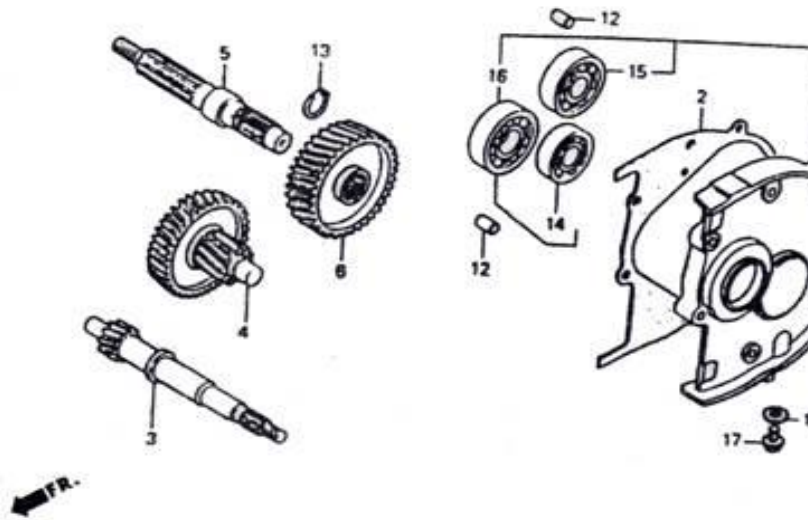
E-7 Starting Motor

REF.NO.	PART NO.	DESCRIPTION	Q.T.Y
1	E0701	GEAR STARTER REDUCTION	1
2	E0702	SHAFT STARTER REDUCTION GEAR	1
3	E0703	GEAR COMP STARTING CLUTCH	1
4	E0704	OUTER COMP STARTING CLUTCH	1
5	E0705	FLANGE STARTING CLUTCH	1
6	E0706	SPRING STARTING CLUTCH ROLLER	3
7	E0707	CAP STARTINGCLUTCH ROLLER SPRING	3
8	E0708	MOTOR ASSY STARTER	1
9	E0709	CABLE STARTER MOTOR	1
10	E0710	CAP RUBBER	1
11	E0711	CAP RUBBER	1
12	E0712	BOLT SOCKET 6X12	3
13	E0713	NUT LOCK 22MM	1
14	E0714	WASHER THRUST 18X31X1	1
15	E0715	PIN DOWEL 5X6	1
16	E0716	KEY WOODRUFF 15X14X4	1
17	E0717	ROLLER 10X10	3
18	E0718	BEARING NEEDLE 28X32X17	1
19	E0719	O-RING 24.4X3.1	1
20	E0720	SCREW-WASHER 6X12	3
21	E0721	BOLT FLANGE 6X20	2
22	E0722	TRANSCEND CLUTCH	1



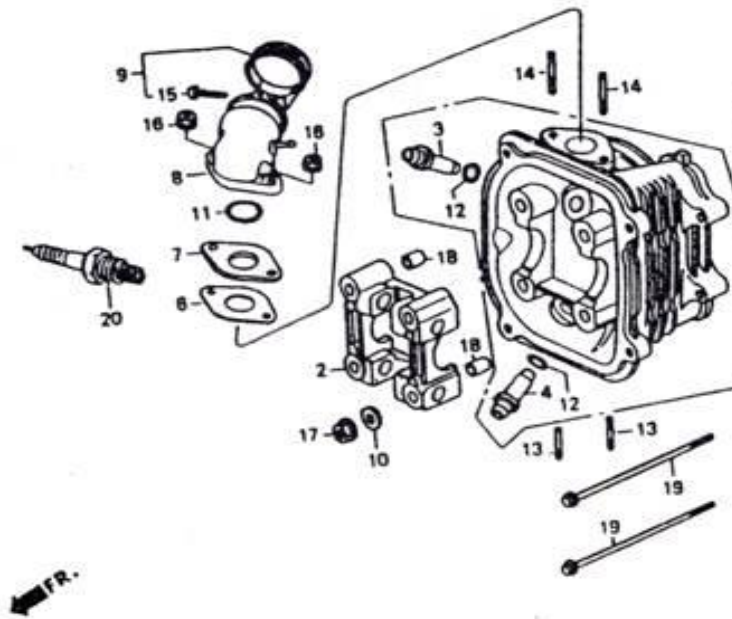
E-8 Fan Cover-Shroud

REF.NO.	PART NO.	DESCRIPTION	Q.T.Y
1	E0801	CLAMPER BREATHER TUBE	1
2	E0802	COVER COMP FAN	1
3	E0803	CLAMPER STARTER CABLE	1
4	E0804	DUCT CARBURETOR COOLING	1
5	E0805	SHROUD A	1
6	E0806	DUCT SHROUD	1
7	E0807	SEAL SHROUD(A)	1
8	E0808	SHROUD COMP B	1
9	E0809	CLIP HIGH TENSTON CORD	1
10	E0810	SEAL SHROUD(B)	1
11	E0811	CROMMET B SIDE PANEL	1
12	E0812	SCREW TAPPING 5X12	5
13	E0813	SCREW TAPPING 5X16	6
14	E0814	BOLT FLANGE 6X25	3
15	E0815	CLAMPER OVER FLOW HOSE	1
16	E0816	GROMMET SHROUD(B)	1
17	E0817	SEAL SHROOD	1
18	E0818	SEAL SHROOD	1



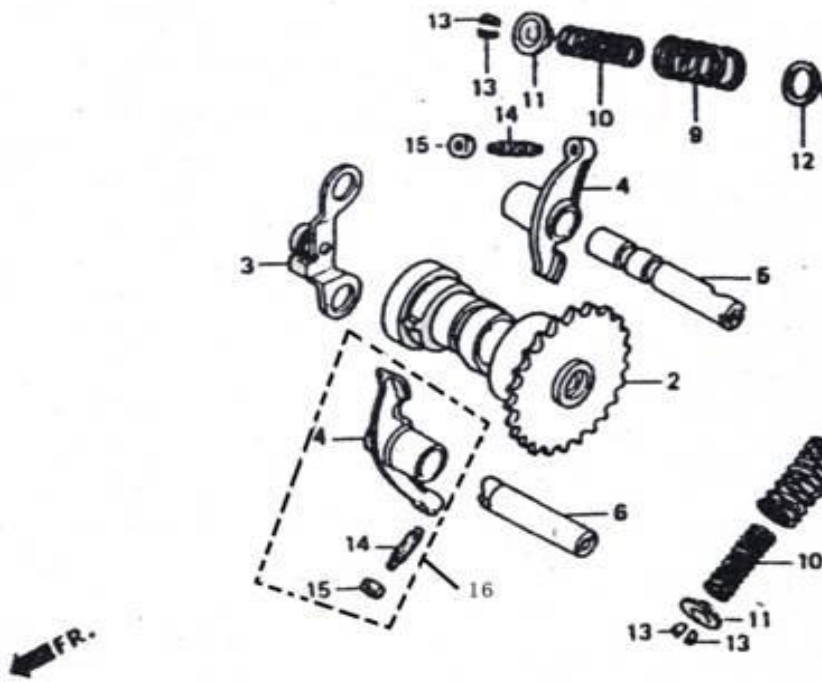
E-9 Transmission

REF.NO.	PART NO.	DESCRIPTION	Q.T.Y
1	E0901	COVER MISSION ASSY	1
2	E0902	GASKET MISSION COVER	1
3	E0903	SHAFT DRIVE	1
4	E0904	SHAFT COMP COUNTER	1
5	E0905	SHAFT FINAL	1
6	E0906	GEAR FINAL	1
7	E0907	BOLT FLANGE 6X28	3
8	E0908	BOLT FLANGE 6X35	3
9	E0909	BOLT SPECIAL 8MM	2
10	E0910	WASHER 8MM	1
11	E0911	OIL SEAL 20X32X6	1
12	E0912	PIN DOWEL 8X14	2
13	E0913	CIR CLIP EXTERNAL 20MM	1
14	E0914	BEARING RADIAL BALL 6202	1
15	E0915	BRARING RADIAL BALL 6203	1
16	E0916	BRARING RADIAL BALL 6204	1
17	E0917	BOLT M8X16	1



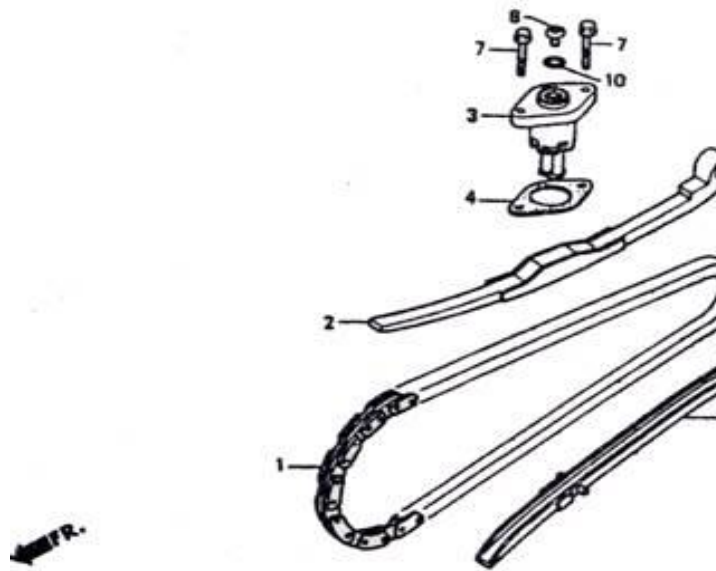
E-10 Cylinder Head

REF.NO.	PART NO.	DESCRIPTION	Q.T.Y
1	E1001	HEAD COMP CYLINDER	1
2	E1002	HOLDER CAMSHAFT	1
3	E1003	GUIDE IN VALVE	1
4	E1004	GUIDE EX VALVE	1
5	E1005	GASKER CYLINDER HEAD	1
6	E1006	GASKRT CARBURETOR INSULATOR	1
7	E1007	INSULATOR CARBURETOR	1
8	E1008	PIPE COMP IN	1
9	E1009	BAND INSULATOR	1
10	E1010	WASHER 8MM	4
11	E1011	O-RING $\varnothing 27 \times 2.0$	1
12	E1012	O-RING $\varnothing 9 \times 1.6$	2
13	E1013	BOLT 2 STUD 6X18	2
14	E1014	BOLT STUD 6X50	2
15	E1015	BOLT FLANGE 4X25	1
16	E1016	NUT FLANGE 6MM	2
17	E1017	NUT FLANGE 8MM	4
18	E1018	PON DOWEL 10X16	4
19	E1019	BOLT FLANGE 6X10	2
20	E1020	PLUG SPARK(C7HSA NGK)	1



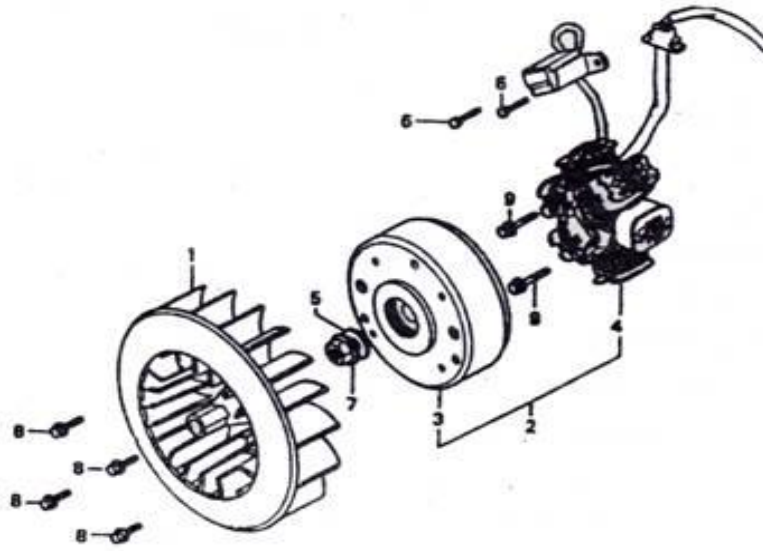
E-11 Camshaft-Valve

REF.NO.	PART NO.	DESCRIPTION	Q.T.Y
1	E1101	SEAL VALVE STEM	2
2	E1102	CAMSHAFT COMP	1
3	E1103	PLATE COMP STOPPER	1
4	E1104	ARM VALVE ROCKER	2
5	E1105	SHAFT COMP IN ROCKER ARM	1
6	E1106	SHAFT EX ROCKER ARM	1
7	E1107	VALVE IN	1
8	E1108	VALVE EX	1
9	E1109	SPRING VALVE OUTER	2
10	E1110	SPRING VALVE INNER	2
11	E1111	RETAINER VALVE SPRING	2
12	E1112	SEAT VALVE SPRING OUTER	2
13	E1113	COTTER VALVE	4
14	E1114	SCREW TAPPET AD JUSTING	2
15	E1115	NUT TAPPET AD JUSTING	2
16	E1116	VALVE ROCKER ASSY.	2



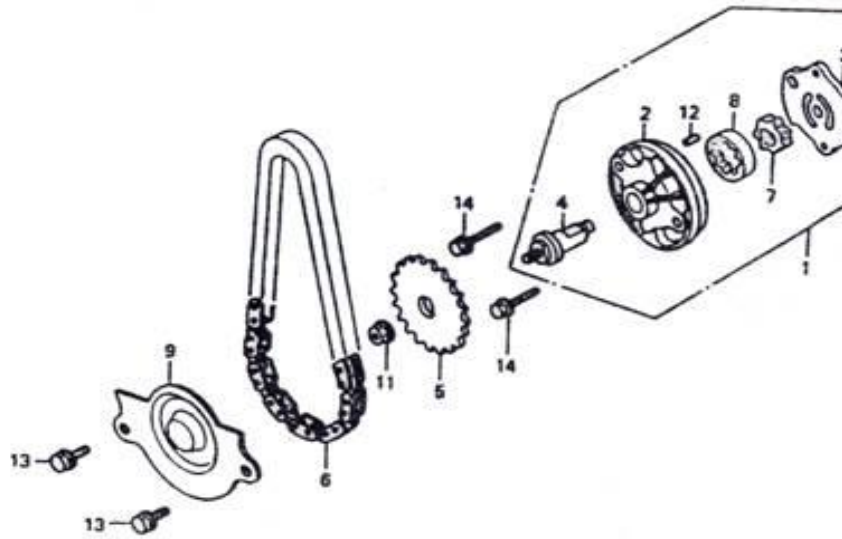
E-12 Cam Chain-Tensioner

REF.NO.	PART NO.	DESCRIPTION	Q.T.Y
1	E1201	CHAIN CAM	1
2	E1202	TENSIDNER CAM CHAIN	1
3	E1203	LIFTER ASSY TENSIONER	1
4	E1204	GASKET TENSIONER LIFTER	1
5	E1205	PIVOT CAM CHAIN TENSIONER	1
6	E1206	GUIDE COMP CAM CHAIN	1
7	E1207	BOLT FLANG 6X22	2
8	E1208	SCREW PAN 6X6	1
9	E1209	O-RING 15.2X1.5	1
10	E1210	O-RING 1.5-9.5	1



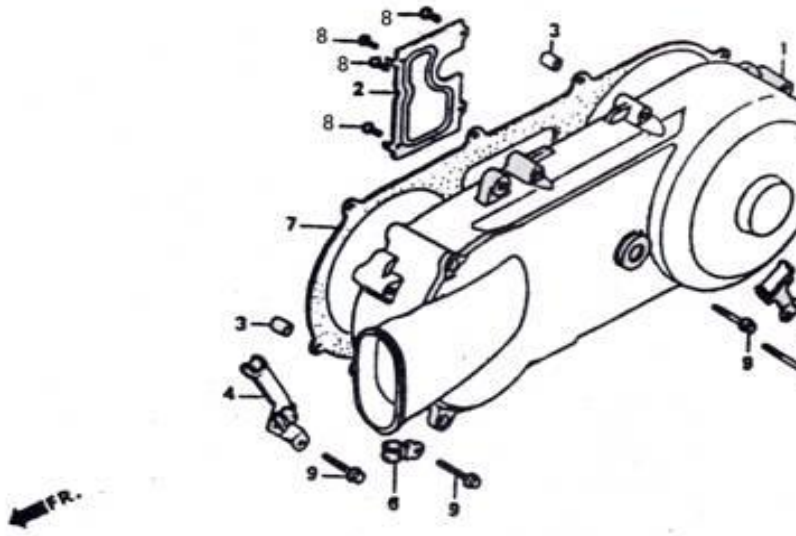
E-13 Generator

REF.NO.	PART NO.	DESCRIPTION	Q.T.Y
1	E1301	PAN COMP COOLING	1
2	E1302	GENERATOR ASSY FLYWHEEL TYPE D.C	1
3	E1303	FLYWHEEL COMP	1
4	E1304	STATOR COMP	1
5	E1305	WASHER PLAIN 12MM	1
6	E1306	BOLT HEX 5X12	2
7	E1307	NUT FLANGE 12MM	1
8	E1308	BOLT FLANGE 6X18	4
9	E1309	BOLT FLANGE 6X20	2



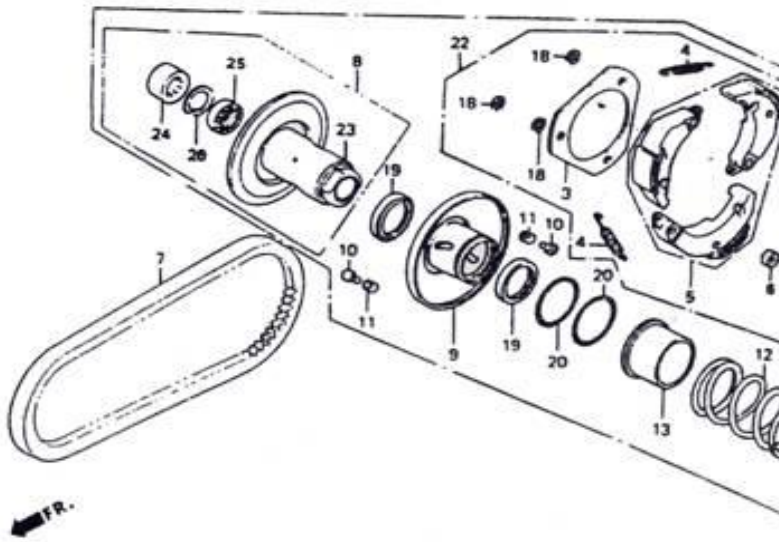
E-14 Oil pump

REF.NO.	PART NO.	DESCRIPTION	Q.T.Y
1	E1401	PUMP ASSY OIL	1
2	E1402	BODY OIL PUMP	1
3	E1403	PLATE OIL PUMP	1
4	E1404	SHAFT OIL PUMP	1
5	E1405	SPROCKET OIL PUMP DRIVEN	1
6	E1406	CHAIN OIL PUMP	1
7	E1407	ROTOR OIL PUMP INNER	1
8	E1408	ROTOR OIL PUMP OUTER	1
9	E1409	SEPARTOR OIL	1
10	E1410	SCREW PAN 3X10	1
11	E1411	NUT FLANGE 6MM	1
12	E1412	PON C DOWEL 4X6.5	1
13	E1413	BOLT FLANGE 6X12	2
14	E1414	BOLT FLANGE 6X25	2



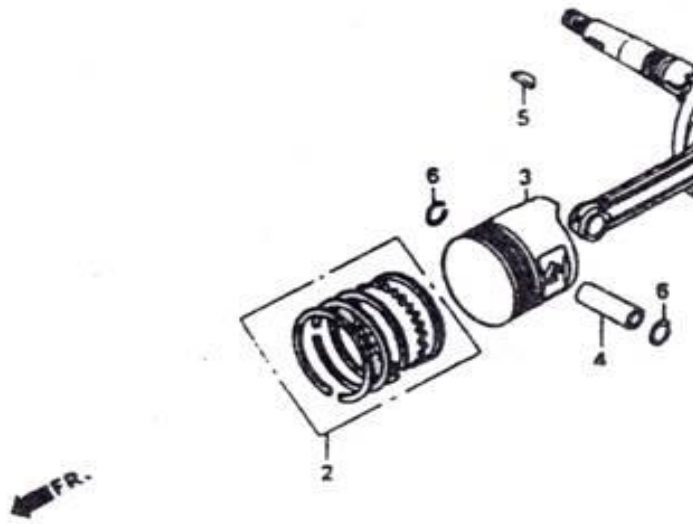
E-15 Left Crankcase Cover

REF.NO.	PART NO.	DESCRIPTION	Q.T.Y
1	E1501	COVER L	1
2	E1502	PLATE L COVER	1
3	E1503	PIN DOWEL 8X14	2
4	E1504	CLAMPER THROTTLE CABLE	1
5	E1505	CLAMPER BRAKE CABLE	1
6	E1506	CLAMPER BREATHER DRAIN TUBE	1
7	E1507	GASKET L COVER	1
8	E1508	SCREW TAPPING 4X8	4
9	E1509	BOLT FLANGE 6X40	6
10	E1510	BOLT FLANGE 6X65	2



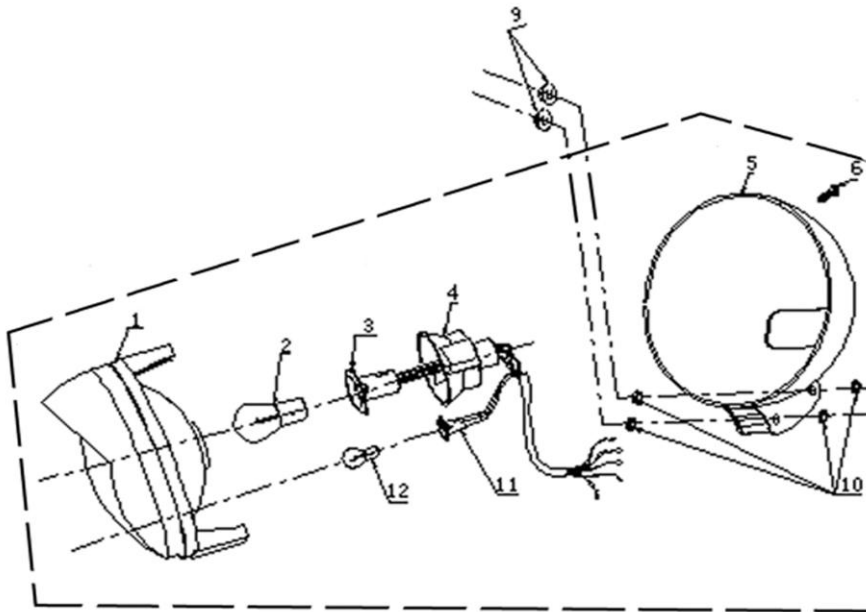
E-16 Driven Pulley

REF.NO.	PART NO.	DESCRIPTION	Q.T.Y
1	E1601	OUTER CLUTCH	1
2	E1602	PLATE COMP DRIVE	1
3	E1603	PLATE CLUTCH SIDE	1
4	E1604	SPRING CLUTCH	1
5	E1605	WEIGHT SET CLUTCH	1
6	E1606	RUBBER CLUTCH DAMPER	3
7	E1607	BELT DRIVE	1
8	E1608	FACE ASSY DRIVEN	1
9	E1609	FACE COMP MOVABLE DRIVEN	1
10	E1610	PIN ROLLER GUIDE	3
11	E1611	ROLLER GUIDE	3
12	E1612	SPRING DRIVEN FACE	1
13	E1613	COLLAR SEAL	1
14	E1614	COLLAR SPRING	1
15	E1615	NUT COMPRESSOR FLANGE 12MM	1
16	E1616	NUT SPECIAL 28MM	1
17	E1617	WASHER PLAIN 12MM	3
18	E1618	CIRCLIP 7MM	3
18	E1618	PIN SPECIAL 4.5MM	3
19	E1619	SEAL DRIVER FACE 34X41X4	2
20	E1620	O-RING	2
21	E1621	PULLEY ASSY DRIVEN	1
22	E1622	PLATE ASSY DRIVEN	1
23	E1623	FACE COMP DRIVEN	1
24	E1624	BEARING NEEDLE 20X29X18	1
25	E1625	BEARING BALL REDIAL 6920U	1
26	E1626	CIRCLIP IN 28MM	1



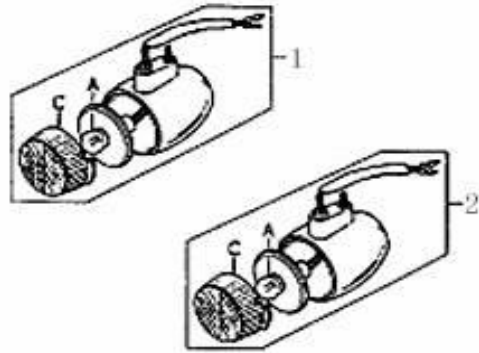
E-17 Crank Shaft-Piston

REF.NO.	PART NO.	DESCRIPTION	Q.T.Y
1	E1701	CRANKSHAFT COMP	1
2	E1702	RING SET PISTON (STD)	1
3	E1703	PISTON (STD)	1
4	E1704	PIN PISTON	1
5	E1705	KEY WOODRUFF 25X14X4	1
6	E1706	CLIP PISTON PIN 15MM	2



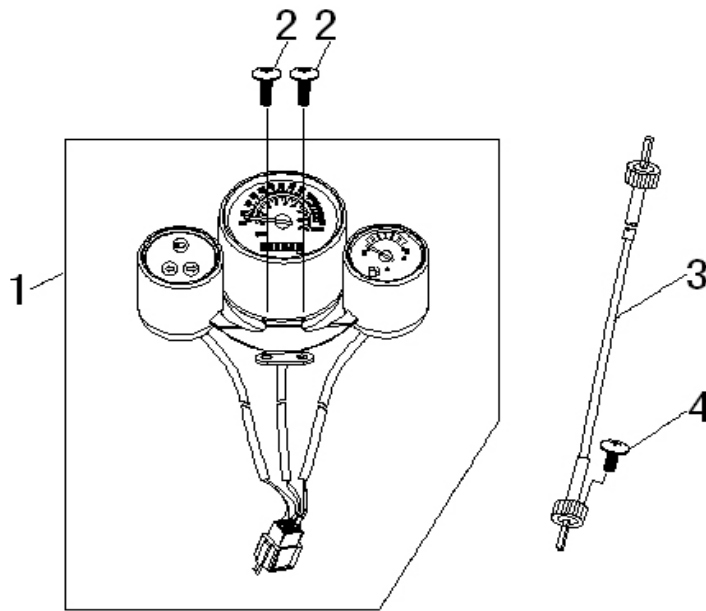
F-01 HEAD LIGHT ASSY.

REF.NO.	PART NO.	DESCRIPTION	Q.T.Y
1	F0101	ASSEMBLED OF HEAD LIGHT FRONT COVER	1
2	F0102	BULB	1
3	F0103	LAMP HOLDER	1
4	F0104	RUBBER SHEATH OF HAND LIGHT	1
5	F0105	REAR COVER OF HAND LIGHT	1
6	F0106	CROSS SCREW M4×12	2
7	F0107	SCREW M6×45	2
8	F0108	HEADLIGHT BRACKET	10
9	F0109	SCREW M6	2
10	F0110	RUBBER WASHER	4
11	F0111	FAUCET OF POSITION LIGHT	1
12	F0112	LIGHT BULB OF POSITION LIGHT	1
13	F0113	LINK BOARD OF HANDLIGHT BRACKET	20
14	F0114	SCREW M10	1
15	F0115	HEAD LIGHT	10



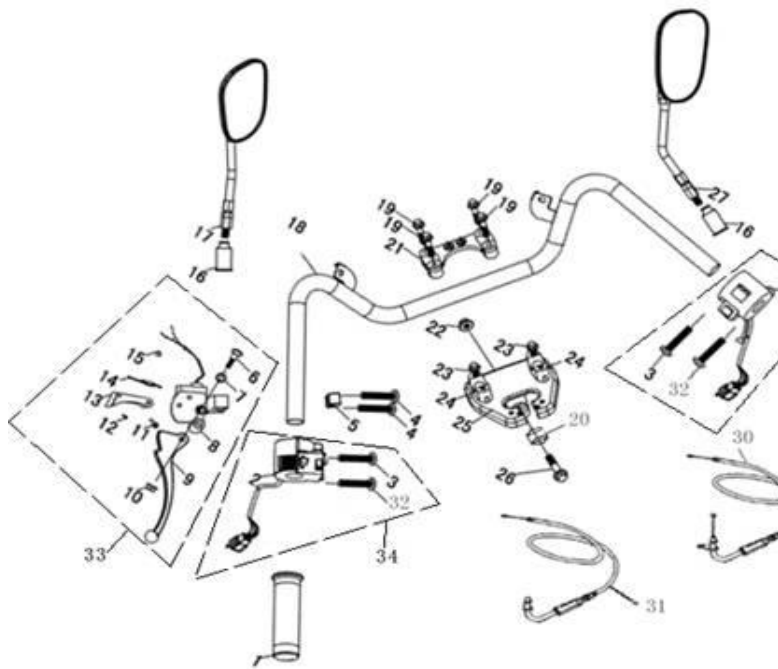
F-02 SIGNAL LIGHT

REF.NO.	PART NO.	DESCRIPTION	Q.T.Y
A	F02A	12V/10W LIGHT BULB	2
C	F02C	FRONT MANTLE	2
1	F0201	FRONT DIRECTION LAMP LH	1
2	F0202	FRONT DIRECTION LAMP RH	1



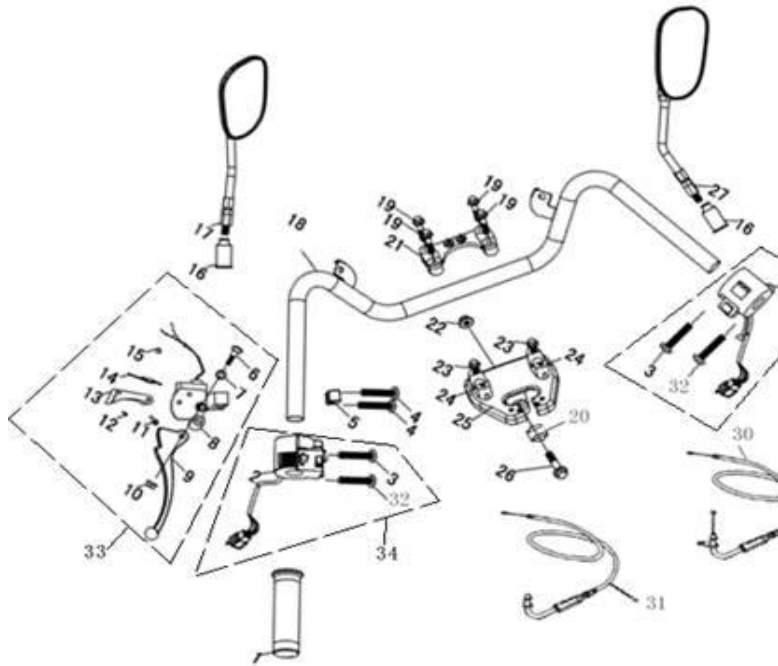
F-03 Speedometer

REF.NO.	PART NO.	DESCRIPTION	Q.T.Y
1	F0301	ASSEMBLED METER	10
2	F0302	CROSS FLAT BOLT M5 X16	2
3	F0303	SOFT AXES	30
4	F0304	SCREW M5 X20	1



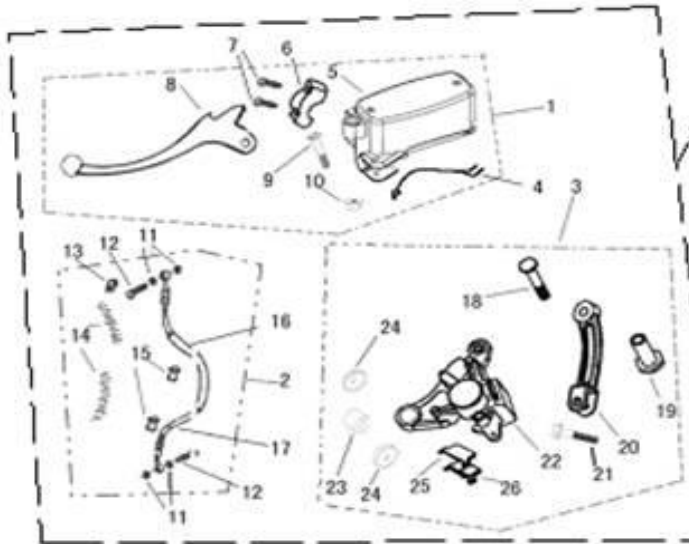
F-04 OPERATION SYSTEM

REF.NO.	PART NO.	DESCRIPTION	Q.T.Y
1	F0401	RUBBER SHEATH LH	20
2	F0402	BRAKE HANDLEBAR LH	1
3	F0403	CROSS TROUGH SCREW M5 X25	2
4	F0404	SIX CORNER INSIDE SCREW M6 X25	2
5	F0405	COVER OF BRANCH HANDLEBAR	1
6	F0406	SCREW POLE M6 X28	1
7	F0407	WASHER 8	1
8	F0408	BRANCH HANDLEBAR SYSTEM	1
9	F0409	LEFT HANDLE	30
10	F0410	SCREW M6	1
11	F0411	AXES ϕ 6	1
12	F0412	AXES ϕ 3	1
13	F0413	PIECE FOR LIMIT POSITION	1
14	F0414	SPRING	1
15	F0415	WASHER FOR OPEN 3	1
16	F0416	RUBBER SHEATH	2



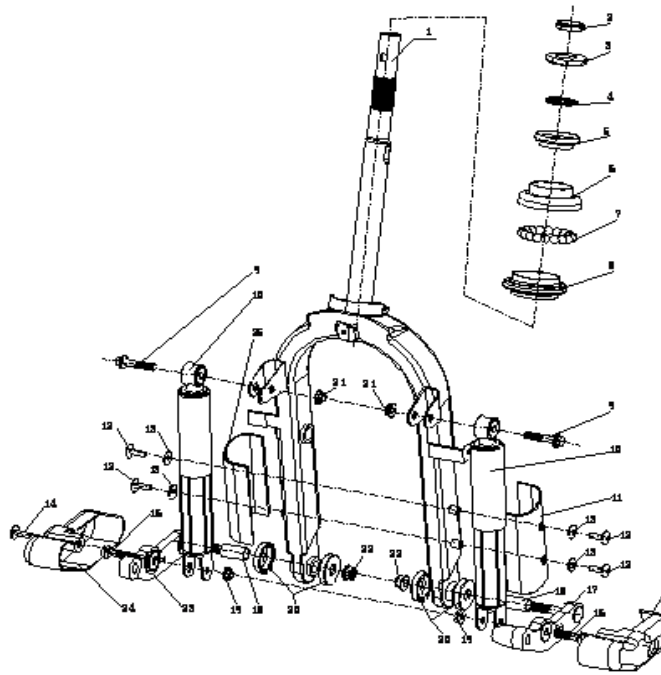
F-04 OPERATION SYSTEM

REF.NO.	PART NO.	DESCRIPTION	Q.T.Y
17	F0417	REAR VIEW MIRROR LH	1
18	F0418	HANDLEBAR TUBE	4
19	F0419	SCREW M8X40	4
20	F0420	BUSH	1
21	F0421	FASTNESS PIECE OF HANDLEBAR	6
22	F0422	SCREW M10	1
23	F0423	SCREW M8X16	2
24	F0424	DOWN BRANCH SUPPORT OF HANDLEBAR	2
25	F0425	DOWN FASTNESS PIECE OF HANDLEBAR	10
26	F0426	SCREW M10X50X1.25	1
27	F0427	REAR VIEW MIRROR RH	1
28	F0428	HANDLEBAR RH	1
29	F0429	RUBBER SHEATH OF THROTTLE RH	20
30	F0430	THROTTLE CABLE	30
31	F0431	BRAKE CABLE	30
32	F0432	CROSS TROUGH SCREW M5 X35	2
33	F0433	HANDLE BAR,LH	1
34	F0434	BRAKE HANDLE,LH	20
35	F0435	BRAKE HANDLE,RH	20



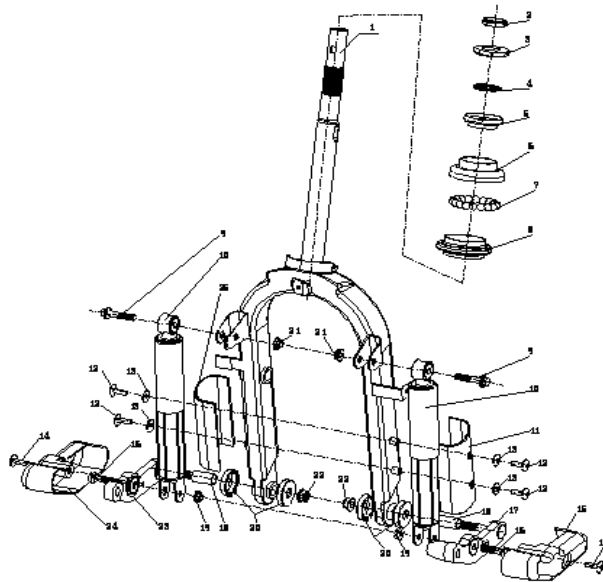
F-05 DISK BRAKE

REF.NO.	PART NO.	DESCRIPTION	Q.T.Y
1	F0501	ASSEMBLED UPPER PUMP	4
2	F0502	ASSEMBLED MOVE TUBE	1
3	F0503	ASSEMBLED LOWER PUMP	6
4	F0504	SWITCH CABLE OF BRAKE	30
5	F0505	UPPER PUMP ASSY	1
6	F0506	PRESS PIECE	1
7	F0507	SIX CORNER INSIDE SCREW M6×20	2
8	F0508	HANDLEBAR OF MOVE	20
9	F0509	SCREW FOR INSTALL HANDLEBAR M6×38	1
10	F0510	SCREW M6	1
11	F0511	PURPLE CUPRUM WASHER	4
12	F0512	SCREW OF OIL TUBE	2
13	F0513	JACKET	1
14	F0514	SPRING FOR MOVING TUBE	2
15	F0515	RUBBER WASHER	2
16	F0516	JACKET FOR OIL TUBE	1
17	F0517	OIL TUBE	1
18	F0518	SCREW	1
19	F0519	SHEATH FOR FASTNESS	1
20	F0520	UPPER ROCK ARM	1
21	F0521	SIX CORNER SCREW M8×35	1
22	F0522	MOVING PLIERS	1
23	F0523	BUSH	1
24	F0524	SHEATH FOR PREVENT DUST	2
25	F0525	LEFT RUBING PIECE	20
26	F0526	RIGHT RUBING PIECE	20
27	F0527	DISK BRAKE	1



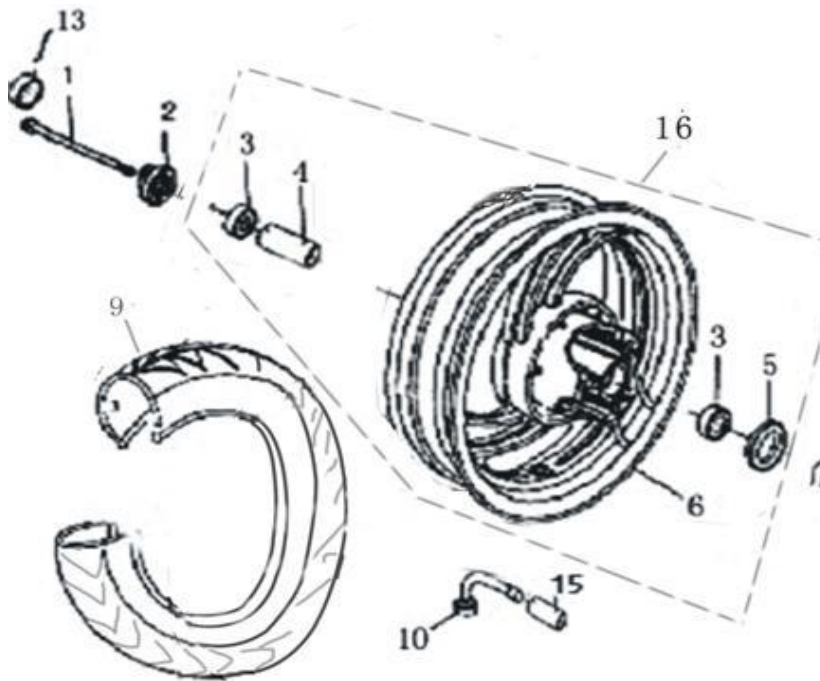
F-06 FRONT FORK

REF.NO.	PART NO.	DESCRIPTION	Q.T.Y
1	F0601	ASSEMBLED OF DIRECTION POLE JOINTING	4
2	F0602	LOCKING SCREW OF DIRECTION POLE	1
3	F0603	UPPER AXLETREE	1
4	F0604	UPPER STEEL BALL	23
5	F0605	UPPER STEEL BALL BOWL	1
6	F0606	LOWER STEEL BALL BOWL	1
7	F0607	LOWER STEEL BALL	19
8	F0608	LOWER AXLETREE	1
9	F0609	SIX CORNER SCREW M8×40	2
10	F0610	FRONT ABSORBER	2
11	F0611	FRONT FORK DECORATE PLATE RH	1
12	F0612	CROSS FALT SCREW M6×14	4
13	F0613	WASHER6	4
14	F0614	CROSS FALT SCREW M6×12	2



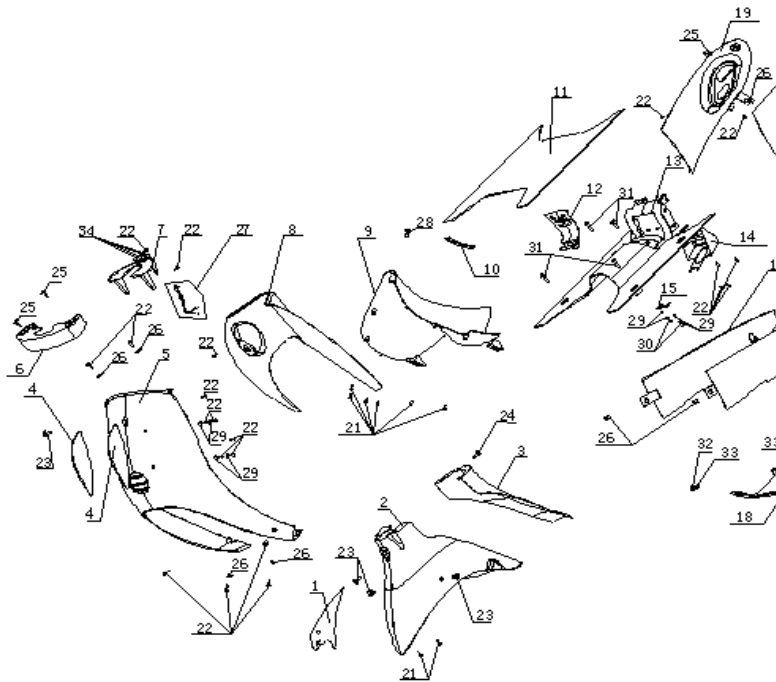
F-06 FRONT FORK

REF.NO.	PART NO.	DESCRIPTION	Q.T.Y
15	F0615	ROCKING ARM DECORATE PLATE RH	10
16	F0616	CROSS SMOOTH SCREW M8×33	2
17	F0617	MOVING ARM LH	4
18	F0618	BUSH	2
19	F0619	SIX CORNER INSIDE LOCKED ITSELF SCREW M8	2
20	F0620	SHEAF FOR PREVENT DUST	4
21	F0621	SIX CORNER INSIDE LOCKED ITSELF SCREW M8	2
22	F0622	SIX CORNER INSIDE LOCKED ITSELF SCREW M10	2
23	F0623	ROCKING ARM RH	4
24	F0624	ROCKING ARM DECORATE PLATE LH	10
25	F0625	FRONT FORK DECORATE PLATE	1



F-07 FRONT WHEEL

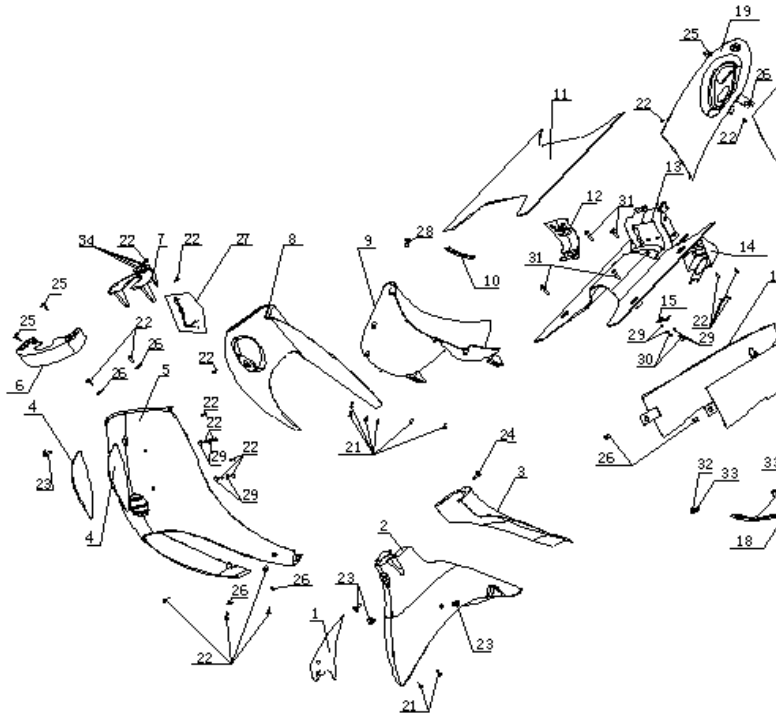
REF.NO.	PART NO.	DESCRIPTION	Q.T.Y
1	F0701	FRONT WHEEL AXES M12×245	1
2	F0702	COUNT ASSY	20
3	F0703	AXLETREE6201	2
4	F0704	CENTER BUSH	1
5	F0705	OIL SEAL	1
6	F0706	FRONT WHEEL AXES	4
7	F0707	BUSH	1
8	F0708	SCREW M12	1
9	F0709	TYRE	100
10	F0710	MOUTH OF AIR DOOR	1
11	F0711	DISK BRAKE DISH	1
12	F0712	DISK BRAKE SCREW M8×25	3
13	F0713	RUBBER SHEATHΦ14	1
14	F0714	RUBBER SHEATHΦ17	1
15	F0715	SHEATH OF AIR DOOR	1
16	F0716	FRONT RIM COMP.	1



F-08 FRONT FENDER-FRONT COVER-FLOOR PEDAL

REF.NO.	PART NO.	DESCRIPTION	Q.T.Y
1	F0801	GLEDE HEAD DICORATE ASSY	1
2	F0802	FRONT ASSY OF FRONT FENDER ORANGE	3
	F0802	FRONT ASSY OF FRONT FENDER BLACK	3
	F0802	FRONT ASSY OF FRONT FENDER GREY	3
	F0802	FRONT ASSY OF FRONT FENDER RED	3
3	F0803	REAR ASSY OF FRONT FENDER	3
4	F0804	FRONT PLATE DICORATE PLATE	10
5	F0805	FRONT PLATE ORANGE	3
	F0805	FRONT PLATE BLACK	3
	F0805	FRONT PLATE GREY	3
	F0805	FRONT PLATE RED	3
6	F0806	FRONT ASSY OF UPPER PROTECT PLATE	10
7	F0807	REAR ASSY OF UPPER PROTECT PLATE	10
8	F0808	UPPER ASSY OF FRONT PROTECT PLATE ORANGE	3
	F0808	UPPER ASSY OF FRONT PROTECT PLATE BLACK	3
	F0808	UPPER ASSY OF FRONT PROTECT PLATE GREY	3
	F0808	UPPER ASSY OF FRONT PROTECT PLATE RED	3

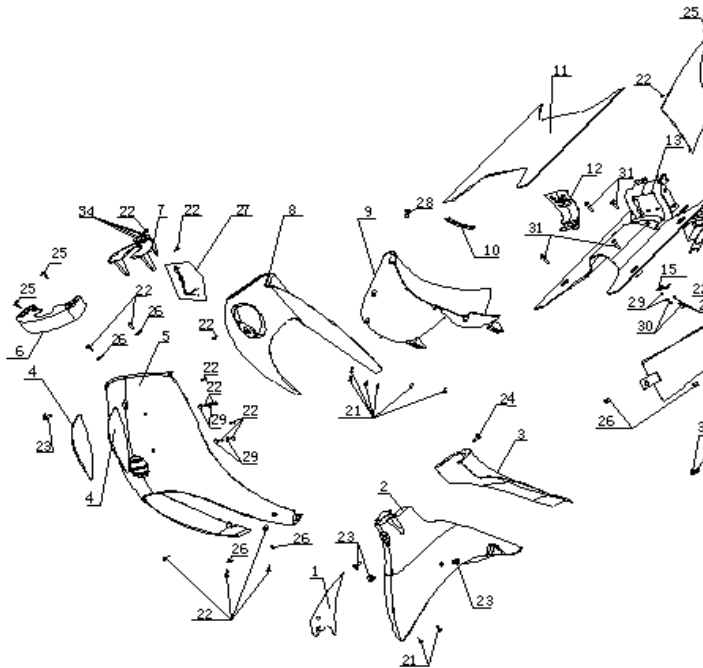
9	F0809	LOWER ASSY OF FRONT PROTECT PLATE	6
10	F0810	VIN NO. PLATE	1
11	F0811	RUBBER OF FOOTPLATE	1
12	F0812	SPARK PLUG COVER PLATE	1
13	F0813	BOTTOM PLATE OF PEDAL	6
14	F0814	PLATE INSIDE SPARK PLUG	1



F-08 FRONT FENDER-FRONT COVER-FLOOR PEDAL

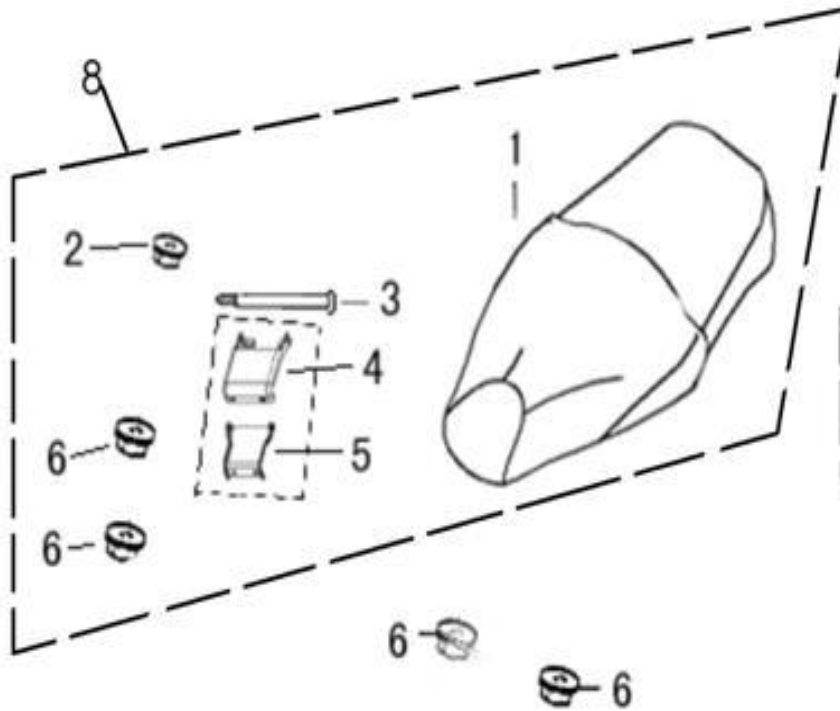
REF.NO.	PART NO.	DESCRIPTION	Q.T.Y
15	F0815	FASTNESS BRACKET OF INSIDE PLATE	1
16	F0816	PROTECT PLATE RH ORANGE	3
	F0816	PROTECT PLATE RH BLACK	3
	F0816	PROTECT PLATE RH GREY	3
	F0816	PROTECT PLATE RH RED	3
17	F0817	PROTECT PLATE LH ORANGE	3
	F0817	PROTECT PLATE LH BLACK	3
	F0817	PROTECT PLATE LH GREY	3
	F0817	PROTECT PLATE LH RED	3
18	F0818	LOWER FENDER	6
19	F0819	JOIN PLATE RH ORANGE	3
	F0819	JOIN PLATE RH BLACK	3
	F0819	JOIN PLATE RH GREY	3
	F0819	JOIN PLATE RH RED	3
20	F0820	JOIN PLATE LH ORANGE	3
	F0820	JOIN PLATE LH BLACK	3

	F0820	JOIN PLATE LH GREY	3
	F0820	JOIN PLATE LH RED	3
21	F0821	BOLT ST4.2×13	8
22	F0822	BOLT ST3.9×13	23
23	F0823	CROSS BIG FLAT SCREW M6×14	4
24	F0824	CROSS BIG FLAT SCREW M6×12	1
25	F0825	CROSS BIG FLAT SCREW M6×20	4
26	F0826	CARD	8
27	F0827	POSITION LAMP SWITCH	1
28	F0828	CROSS BIG FLAT SCREW M6×16	1



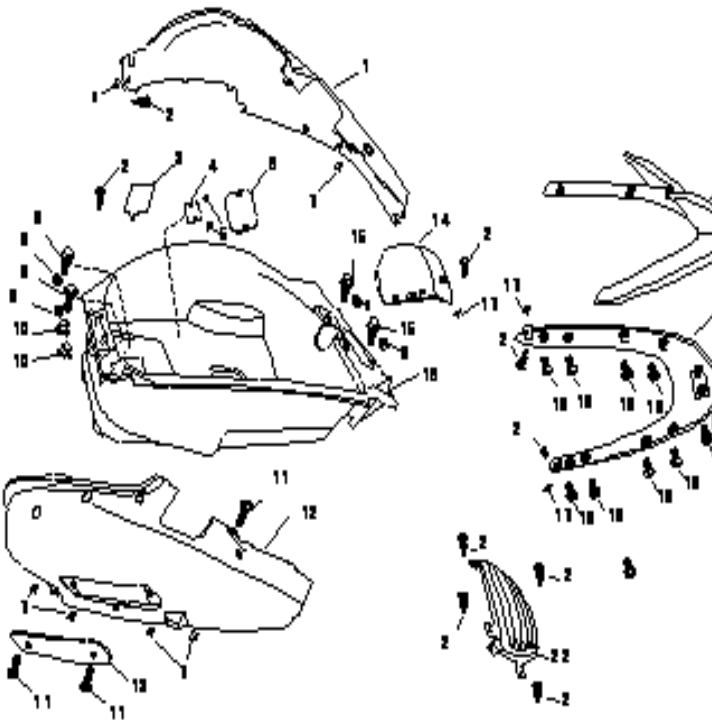
F-08 FRONT FENDER-FRONT COVER-FLOOR PEDAL

REF.NO.	PART NO.	DESCRIPTION	Q.T.Y
29	F0829	WASHER4	8
30	F0830	BOLT ST3.9×9.5	4
31	F0831	SIX CORNERS SCREW M6×25	4
32	F0832	SIX CORNERS SCREW M6×12	4
33	F0833	WASHER6	4
34	F0834	SHEATH OF INDICATOR LAMP	30



F-09 SEAT

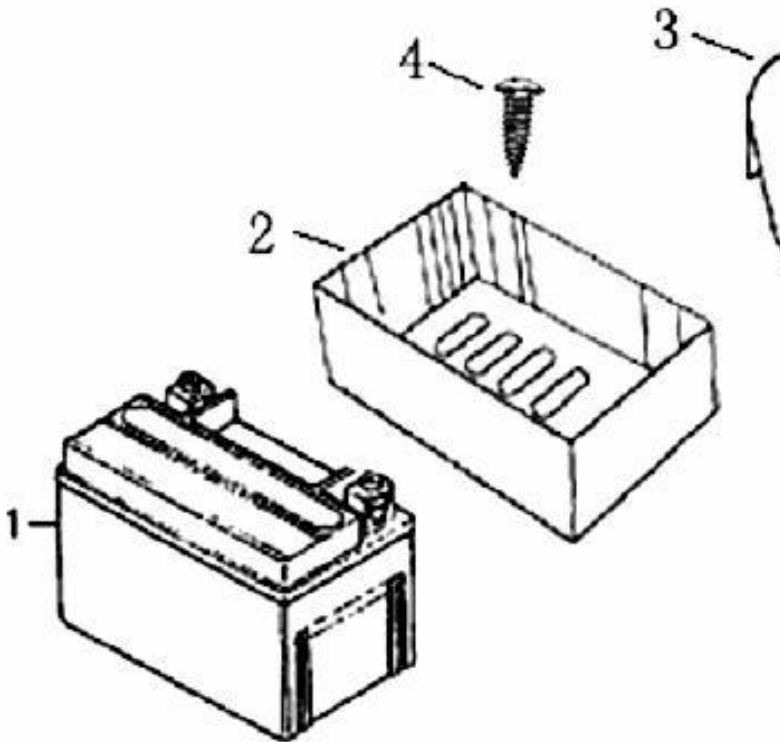
REF.NO.	PART NO.	DESCRIPTION	Q.T.Y
1	F0901	SEAT CUSHION	6
2	F0902	SCREW M6	1
3	F0903	AXES	1
4	F0904	INSTALL BRACKET ON THE SEAT CUSHION	1
5	F0905	INSTALL BRACKET BELOW THE SEAT CUSHION	1
6	F0906	SIX CORNERS SCREW M6(LOCK ITSELF INSIDE)	4
7	F0907	TOOL BOX	1
8	F0908	SEATS	1



F-10 Body Cover-Luggage Box

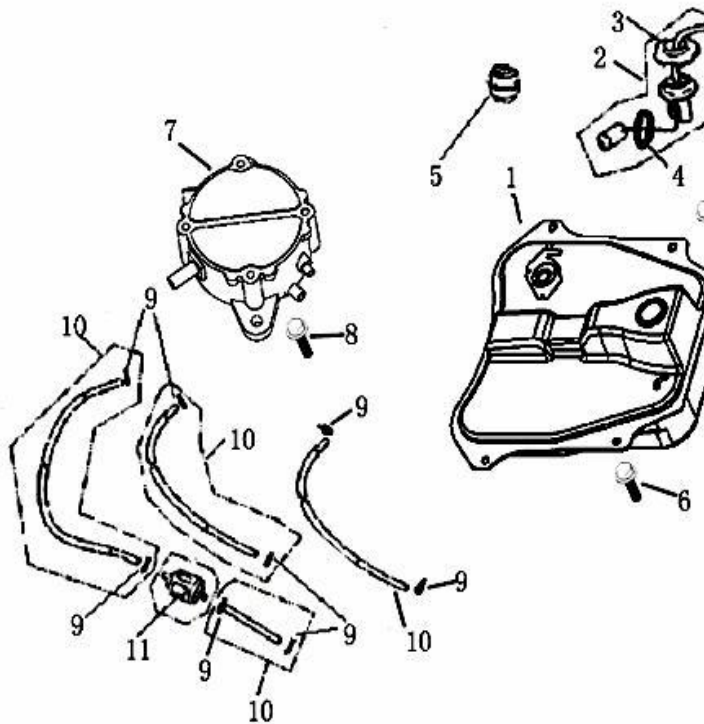
REF.NO.	PART NO.	DESCRIPTION	Q.T.Y
1	F1001	PROTECT BODY SHEATH (RIGHT) ORANGE	3
	F1001	PROTECT BODY SHEATH (RIGHT) BLACK	3
	F1001	PROTECT BODY SHEATH (RIGHT) GREY	3
	F1001	PROTECT BODY SHEATH (RIGHT) RED	3
2	F1002	BOLT ST4.2×13	9
3	F1003	INSIDE COVER OF LUGGAGE BOX A	1
4	F1004	VIN NO.BRAND	1
5	F1005	BOLT	2
6	F1006	INSIDE COVER OF LUGGAGE BOX B	1
7	F1007	SPLINT SCREW M6	6
8	F1008	SIX CORNERS SCREW M6×25	2
9	F1009	SMOOTH WASHER 6	4
10	F1010	SCREW M6	2
11	F1011	CROSS DISH SCREW M6×20	3
12	F1012	PROTECT BODY SHEATH LH ORANGE	3
	F1012	PROTECT BODY SHEATH LH BLACK	3
	F1012	PROTECT BODY SHEATH LH GREY	3
	F1012	PROTECT BODY SHEATH LH RED	3
13	F1013	SMALL COVER PLATE OF PROTECT BODY SHEATH ORANGE	3

	F1013	SMALL COVER PLATE OF PROTECT BODY SHEATH BLACK	3
	F1013	SMALL COVER PLATE OF PROTECT BODY SHEATH GREY	3
	F1013	SMALL COVER PLATE OF PROTECT BODY SHEATH RED	3
14	F1014	COVER PLATE OF BATTERY	1
15	F1015	SCREW M6×20	2
16	F1016	LUGGAGE BOX	1
17	F1017	CARD	3
18	F1018	CROSS DISH SCREW M6×12	10
19	F1019	SCREW M6×20	2
20	F1020	LOWER DECORATE PLATE	1
21	F1021	UPPER DECORATE PLATE	1
22	F1022	AIRINESS COVER	20



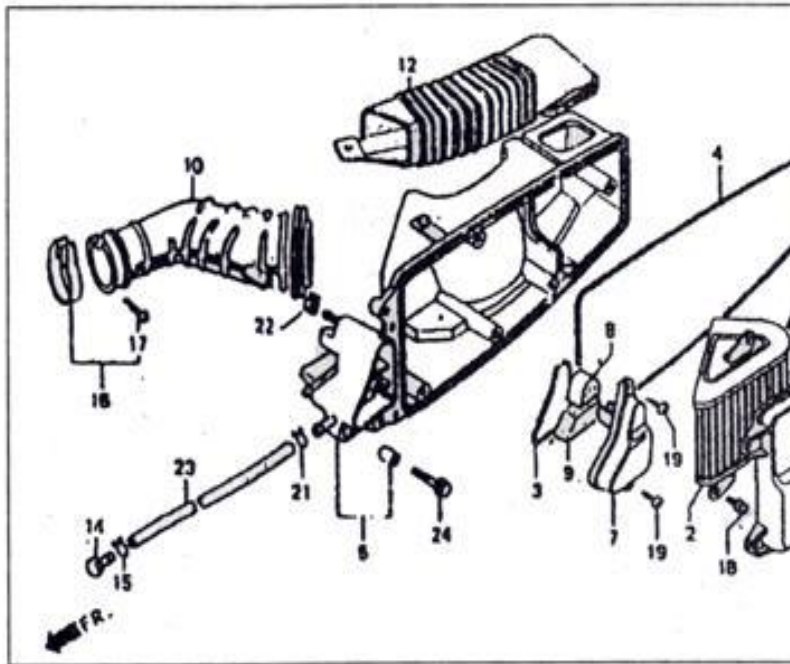
F-11 BATTERY

REF.NO.	PART NO.	DESCRIPTION	Q.T.Y
1	F1101	BATTERY	1
2	F1102	BATTERY BOX	1
3	F1103	BATTERY COVER	1
4	F1104	BOLT ST3.9×12	2



F-12 Fuel Tank

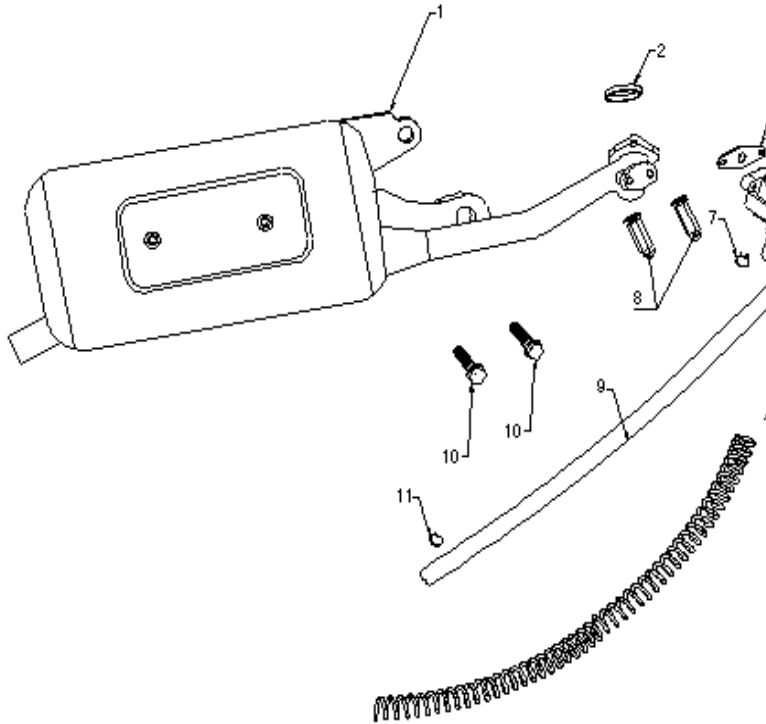
REF.NO.	PART NO.	DESCRIPTION	Q.T.Y
1	F1201	PARTS FOR FUEL TANK JOINTING	1
2	F1202	SENSOR	10
3	F1203	PRESS PIECE OF SENSOR	1
4	F1204	SEAL WASHER	1
5	F1205	FUEL TANK COVER	1
6	F1206	SIX CORNERS SCREW M6X16	2
7	F1207	OIL PUMP	10
8	F1208	SIX CORNERS SCREW M6X12	1
9	F1209	RING	8
10	F1210	OIL TUBE	4
11	F1211	OIL FILTER	1



F-13 AIR CLEANER

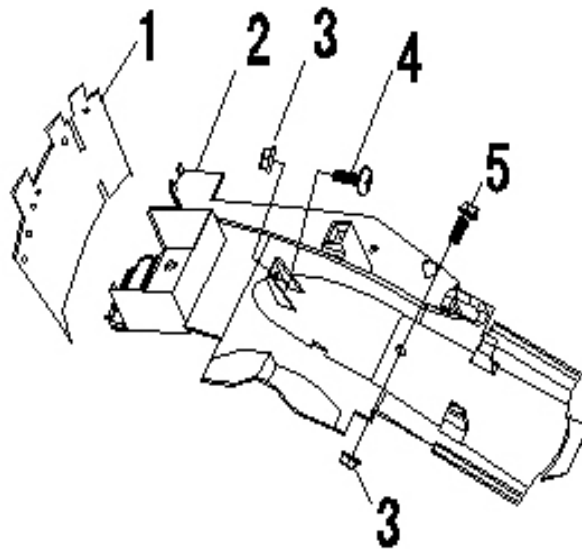
REF.NO.	PART NO.	DESCRIPTION	Q.T.Y
1	F1301	ASSEMBLED AIR CLEANER	1
2	F1302	AIR CLEANER CORE	1
3	F1303	OIL FILTER SEAL	1
4	F1304	SEAL WASHER OF AIR CLEANER COVER	1
5	F1305	SHEATH OF AIR CLEANER	1
6	F1306	COVER OF AIR CLEANER	1
7	F1307	OIL FILTER COVER	1
8	F1308	AIR CLEANER FOAM	1
9	F1309	OIL FILTER FOAM	1
10	F1310	AIR OUT TUBE	1
11	F1311	AIR PASS TUBE	1
12	F1312	AIR IN TUBE	1
13	F1313	SEALED WASHER OF AIR IN TUBE	1
14	F1314	TUBE PLUG	1
15	F1315	RING	1
16	F1316	HOOP	1
17	F1317	BOLT M4×25	1
18	F1318	SCREW M5×10	1
19	F1319	BOLT ST3.9×13	2
20	F1320	BOLT ST4.2×19	7
21	F1321	RING	1
22	F1322	RING	1

23	F1323	OIL TUBE	1
24	F1324	SCREW M6×30	2



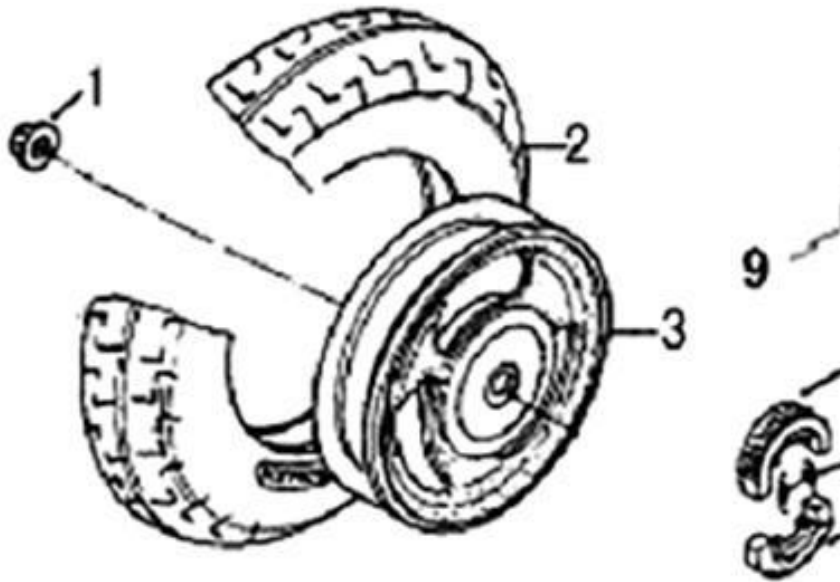
F-14 EXHAUST MUFFLER

REF.NO.	PART NO.	DESCRIPTION	Q.T.Y
1	F1401	JOINTING ASSEMBLED OF MUFFLER	1
2	F1402	PURPLE CUPRUM WASHER	1
3	F1403	SEALED WASHER	1
4	F1404	TWICE AIR SUPPLY VALVE	1
5	F1405	SIX CORNERS SCREW M6X16	2
6	F1406	RING ϕ 12	1
7	F1407	SIX CORNERS SCREW M8X40	2
8	F1408	SCREW M6	2
9	F1409	TWICE AIR IN TUBE	1
10	F1410	RING ϕ 10	1
11	F1411	DECORATE SPRING	1
12	F1412	SPRING WASHER	2



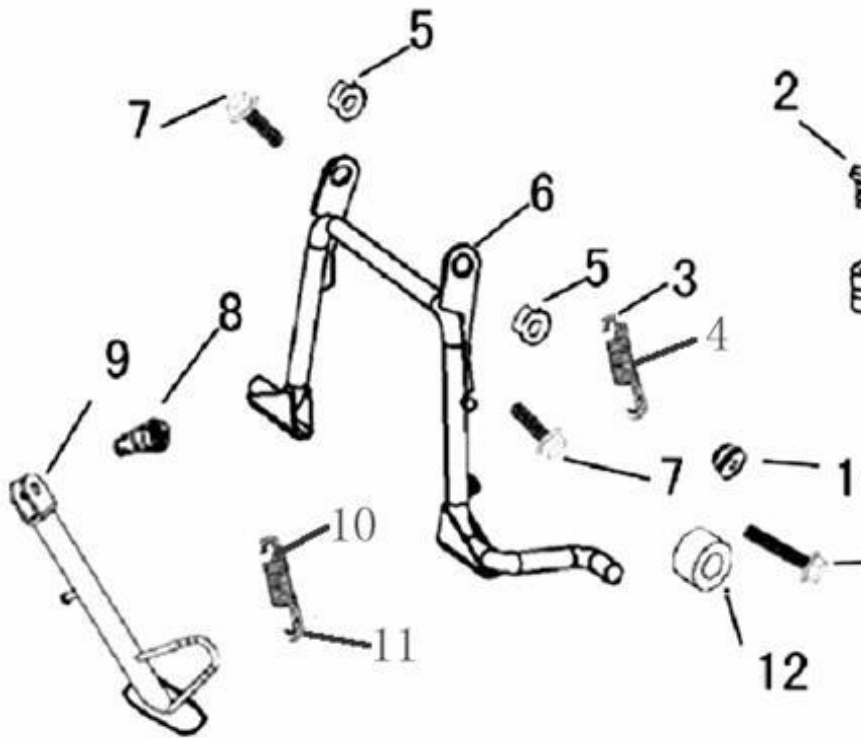
F-15 REAR FENDER

REF.NO.	PART NO.	DESCRIPTION	Q.T.Y
1	F1501	RUBBER PIECE OF FENDER	1
2	F1502	REAR FENDER	4
3	F1503	SIX CORNERS SCREW M6	2
4	F1504	CROSS DISH SCREW M6X15	1
5	F1505	SIX CORNERS SCREW M6 X12	1



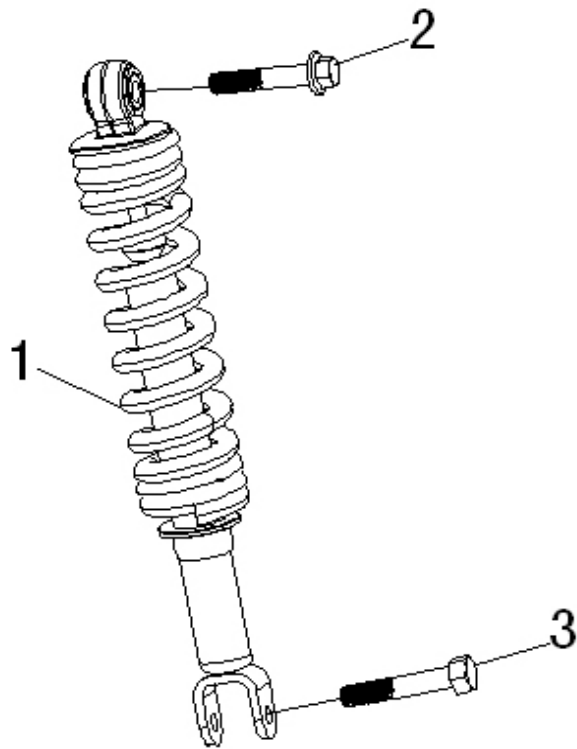
F-16 REAR WHEEL

REF.NO.	PART NO.	DESCRIPTION	Q.T.Y
1	F1601	SCREW M16	1
2	F1602	TYRE3.5-10	1
3	F1603	REAR WHEEL AXES	3
4	F1604	MOVING HOOF PIECE	2
5	F1605	SPRING	2
6	F1606	WHEEL AXES OF REAR MOVING	1
7	F1607	ROCKING ARM OF REAR MOVING	1
8	F1608	SCREW M6×35	1
9	F1609	MOUTH OF AIR DOOR	1
10	F1610	SPRING	1
11	F1611	SHEATH OF AIR DOOR	1



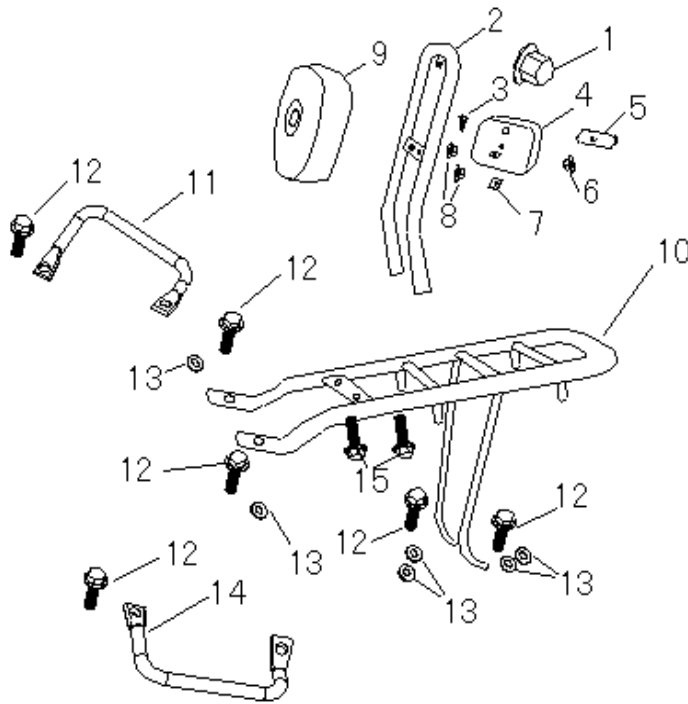
F-17 MAIN STAND ASSY.-SIDE STAND ASSY.

REF.NO.	PART NO.	DESCRIPTION	Q.T.Y
1	F1701	MOVING POLE OF ENGINE	1
2	F1702	SIX CORNER SCREW M6×25	1
3	F1703	INSIDE SPRING OF MAIN SUPPORT	1
4	F1704	OUTSIDE SPRING OF MAIN SUPPORT	1
5	F1705	BUSH	2
6	F1706	MAIN SUPPORT	6
7	F1707	SCREW M10×25	2
8	F1708	SCREW OF SINGLE SUPPORT	1
9	F1709	SINGER SUPPORTER	1
10	F1710	INSIDE SPRING OF SINGLE SUPPORT	1
11	F1711	OUTSIDE SPRING OF SINGLE SUPPORT	1
12	F1712	DELAYING RUBBER PIECE	1
13	F1713	SIX CORNERS SCREW M6×25	1
14	F1714	SIX CORNERS SCREW M6	1



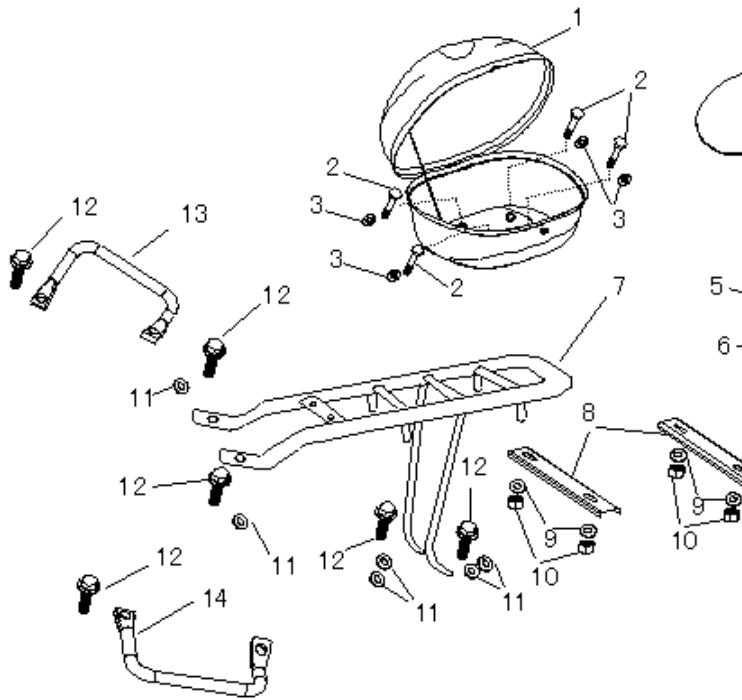
F-18 REAR SHOCK ABSORBER

REF.NO.	PART NO.	DESCRIPTION	Q.T.Y
1	F1801	ASSEMBLED OF REAR SHOCK ABSORBER	1
2	F1802	SIX CORNERS SCREW M10X45	1
3	F1803	SIX CORNERS SCREW M10X45	1



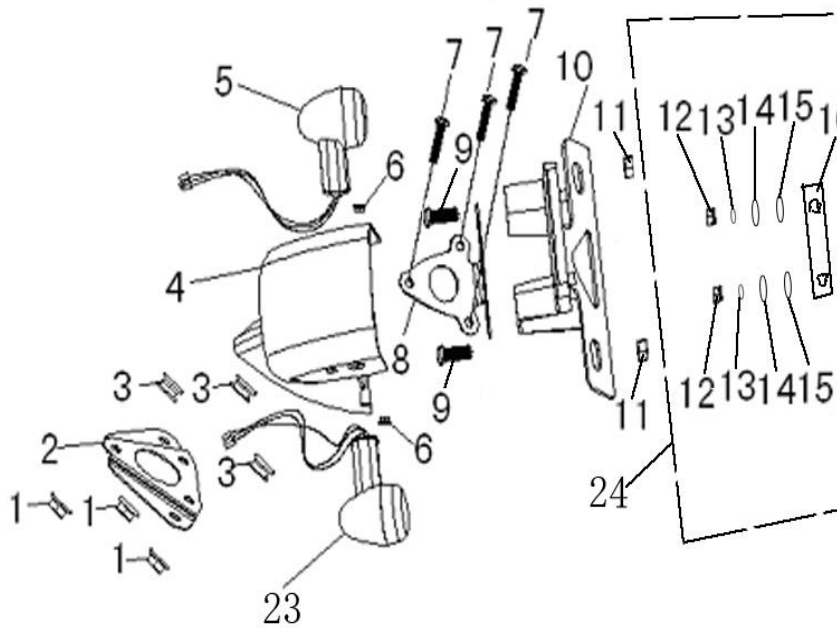
F-19 REAR CARRIER (A)

REF.NO.	PART NO.	DESCRIPTION	Q.T.Y
1	F19A01	SCREW M6	1
2	F19A02	BACK SUPPORT	6
3	F19A03	BOLT ST4.2×16	1
4	F19A04	REAR REFLECTER BRACKET	6
5	F19A05	REAR REFECTER	1
6	F19A06	SIX CORNERS SCREW M5	1
7	F19A07	CARD	1
8	F19A08	SIX CORNERS SCREW M6	2
9	F19A09	BACK CUSHION	6
10	F19A10	REAR LUGGAGE BRACKET	6
11	F19A11	RIGHT ARMREST	6
12	F19A12	SIX CORNERS SCRW M6×20	6
13	F19A13	SMOOTH CUSHION6	6
14	F19A14	LEFT ARMREST	6
15	F19A15	SIX CORNERS SCREW M8×16	2



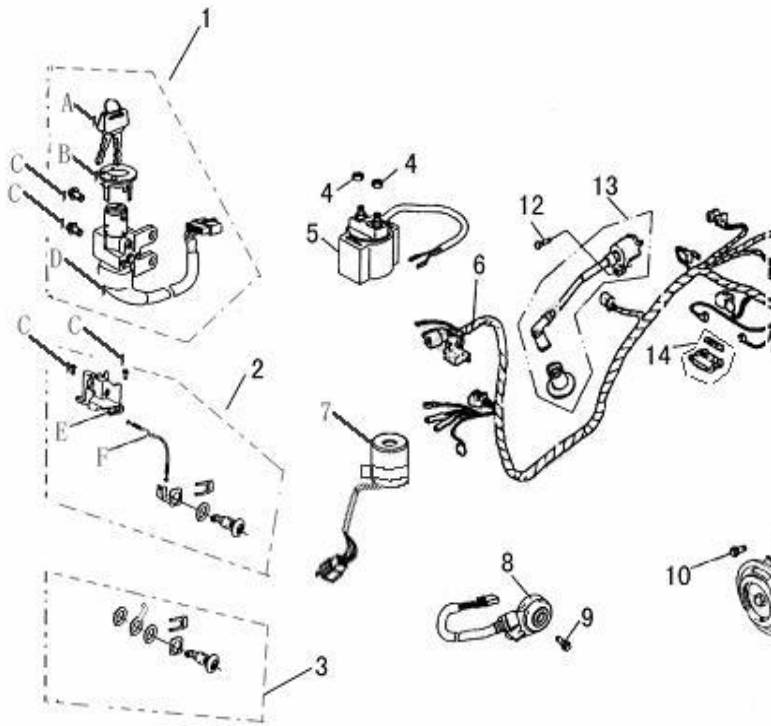
F-19 REAR CARRIER (B)

REF.NO.	PART NO.	DESCRIPTION	Q.T.Y
1	F19B01	REAR LUGGAGE BOX ORANGE	3
	F19B01	REAR LUGGAGE BOX BLACK	3
	F19B01	REAR LUGGAGE BOX GREY	3
	F19B01	REAR LUGGAGE BOX RED	3
2	F19B02	SCREW M8X35	4
3	F19B03	WASHER PIECE	4
4	F19B04	ASSEMBLED KEY OF REAR CARRIER	10
5	F19B05	KEY	2
6	F19B06	SCREW M6X20	3
7	F19B07	REAR LUGGAGE BRACKET	1
8	F19B08	INSTALL PLATE OF LUGGAGE BOX	2
9	F19B09	SMOOTH CUSHION8	4
10	F19B10	SCREW M8	4
11	F19B11	SMOOTH CUSHION8	6
12	F19B12	SIX CORNERS SCREW M6×20	6
13	F19B13	RIGHT ARMREST	1
14	F19B14	LEFT ARMREST	1
15	F19B15	RUBBER CUSHION	1



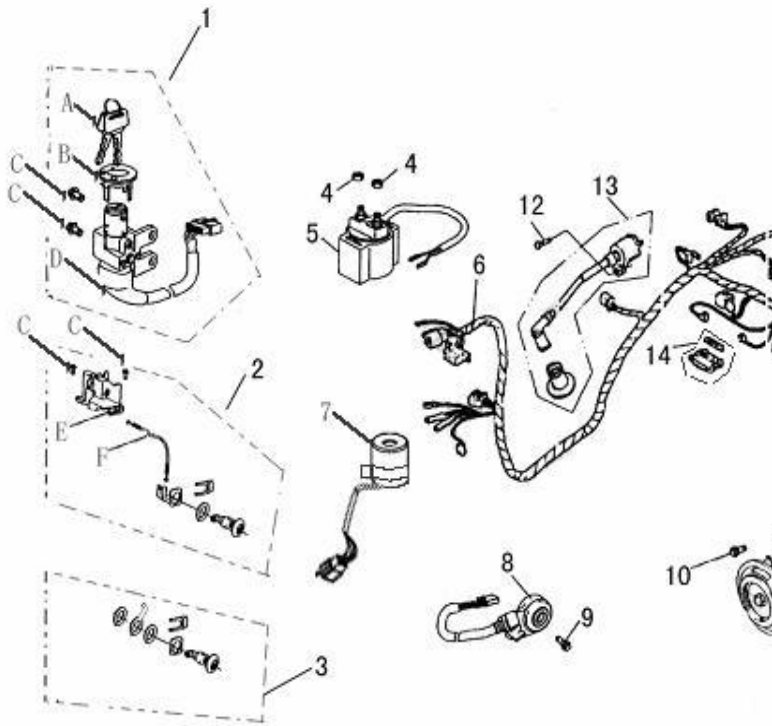
F-20 REAR LIGHT ASSY.

REF.NO.	PART NO.	DESCRIPTION	Q.T.Y
1	F2001	SIX CORNERS SCREW M6	3
2	F2002	FASTNESS PLATE OF REAR TAIL LAMP	1
3	F2003	RUBBER SHEATH	3
4	F2004	FASTNESS RUBBER OF REAR TAIL LAMP	1
5	F2005	REAR DIRCETION LAMP RH	1
6	F2006	SIX CORNERS SCREW M5	2
7	F2007	SCREW M6X30	3
8	F2008	SUPPORT PIECE	1
9	F2009	SCREWM6×16	2
10	F2010	REAR BRAND BRACKET	1
11	F2011	NUT M6	2
12	F2012	NUTM5	2
13	F2013	WASHER 5	2
14	F2014	GASKET	2
15	F2015	WASHER	2
16	F2016	WASHER	1
17	F2017	SOCKET, TAIL LIGHT	1
18	F2018	BULB	1
19	F2019	GASKET, LAMPSHADE	1
20	F2020	INNER LAMPSHADE, TAIL LIGHT	1
21	F2021	OUTER LAMPSHADE, TAIL LIGHT	1
22	F2022	SCREWST4.2×24	2
23	F2023	REAR DIRECTION LAMP LH	1
24	F2024	TAIL LIGHT	6



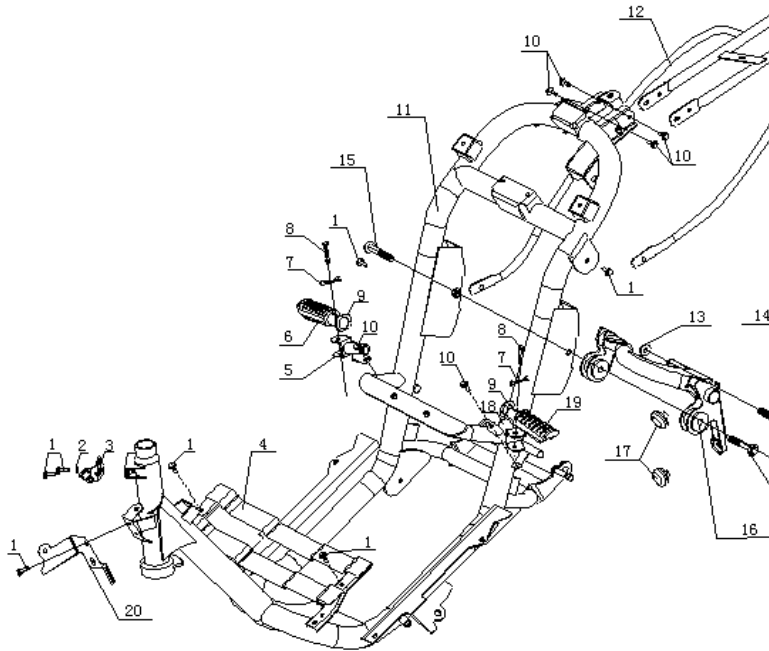
F-21 WIRE HARNESS

REF.NO.	PART NO.	DESCRIPTION	Q.T.Y
1	F2101	ASSEMBLED OF IGNITION SWITCH KEY	10
A	F21A	KEY	2
B	F21B	LOCK COVER	1
C	F21C	SIX CORNERS SCREW M6X12	4
D	F21D	LOCK	1
2	F2102	ASSEMBLED OF SEAT LOCKS	10
E	F21E	LOCK OF SEAT LOCK	1
F	F21F	PULL CABLE OF SEAT	1
3	F2103	COVER PLATE LOCK OF FUEL TANK	10
4	F2104	SCREW M6	2
5	F2105	MOVING RELAY	1
6	F2106	ASSEMBLED OF CABLES	1
7	F2107	FLASHER	1
8	F2108	ASSEMBLED OF FLAMEOUT SWITCH	1
9	F2109	CROSS THROUGH FLAT SCREW M6X12	1
10	F2110	SIX CORNERS SCREW M6X12	2
11	F2111	HORN	1
12	F2112	CROSS THROUGH ROUND HEAD SCREW M5X25	1
13	F2113	ASSEMBLED OF IGNITION CABLE	1



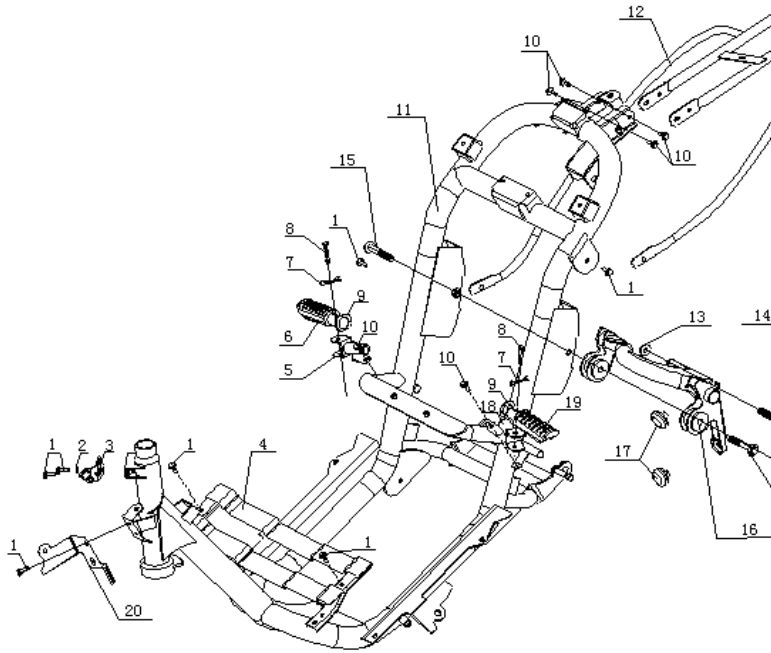
F-21 WIRE HARNESS

REF.NO.	PART NO.	DESCRIPTION	Q.T.Y
14	F2114	FUSE	1
15	F2115	SCREW M6×12	1
16	F2116	COMMUTATE ADJUST ASSY	1
17	F2117	IGNITION SYSTEM	1



F-22 FRAME BODY

REF.NO.	PART NO.	DESCRIPTION	Q.T.Y
1	F2201	SIX CORNERS SCREW M6×12	7
2	F2202	CUSHION6	1
3	F2203	BRACKET OF FRONT PLATE	1
4	F2204	BRACKET OF FOOTPLATE	1
5	F2205	REAR BRACKET FOR PUTTING FOOT RH	10
6	F2206	REAR SYSTEM FOR PUTTING FOOT RH	10
7	F2207	PIN	2
8	F2208	PIN AXES 2×22	2
9	F2209	CUSHION20	2
10	F2210	SIX CORNERS SCREWM6×16	6
11	F2211	PARTS FOR SHELF JOINTING	1
12	F2212	REAR TAIL SHELF	6
13	F2213	SIX CORNERS SCREW M10	1
14	F2214	AXES M10×185	1



F-22 FRAME BODY

REF.NO.	PART NO.	DESCRIPTION	Q.T.Y
15	F2215	SIX CORNERS SCREW M10×60	2
16	F2216	HANG BRACKET FOR MOTIVITY	1
17	F2217	DELAY RUBBER	2
18	F2218	REAR BRACKET FOR PUTTING FOOT LH	10
19	F2219	REAR SYSTEM FOR PUTTING FOOT LH	10
20	F2220	HORN BRACKET	1



F-23 Mark

REF.NO.	PART NO.	DESCRIPTION	CHINESE
1	F2301		车架铭牌
2	F2302		警告标贴
3	F2303		防改装标贴
4	F2304		后泥板警告标贴
5	F2305		后靠背标贴
6	F2306		后货箱标贴
7	F2307		侧盖标贴I

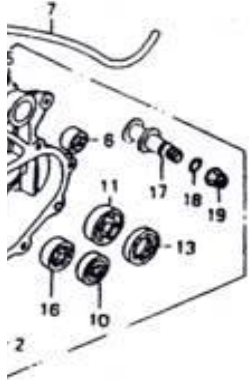
AWING



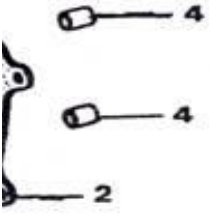
),LTD.

.....19
.....20
.....21
.....22
.....24
.....25
.....27
...28
.....31
.....32
.....33
.....34
.....35
.....36
.....37
.....38
.....39
.....40
.....41
.....43
.....44
.....46

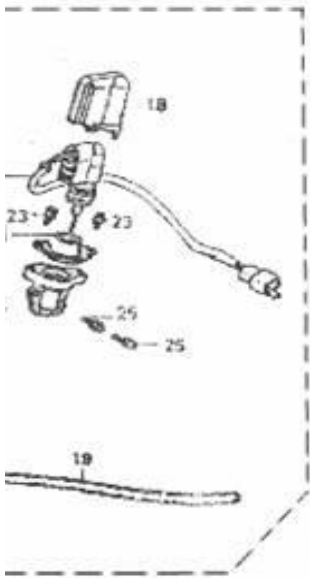
month according to the lastest exchange rate
ou.

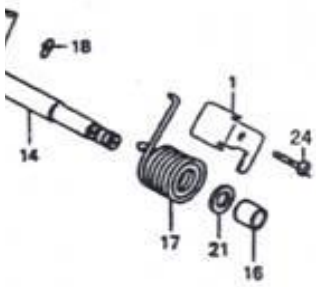


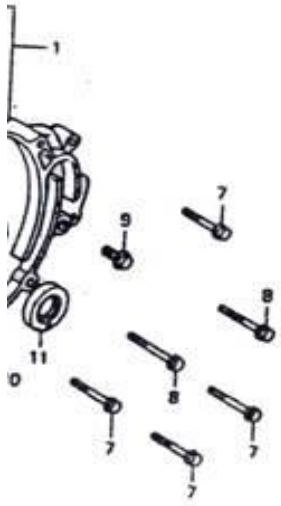
-3



FR. →





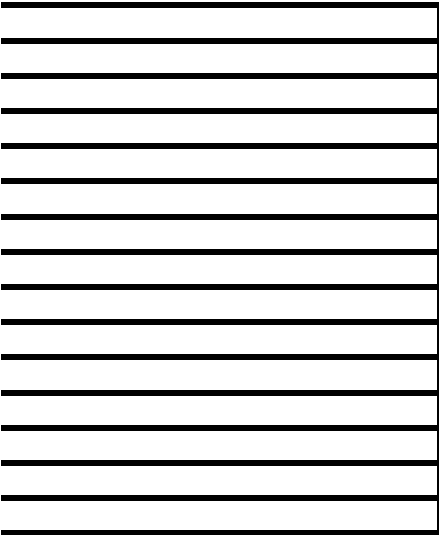


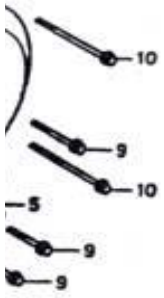


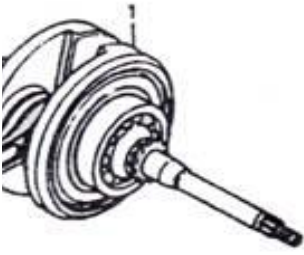


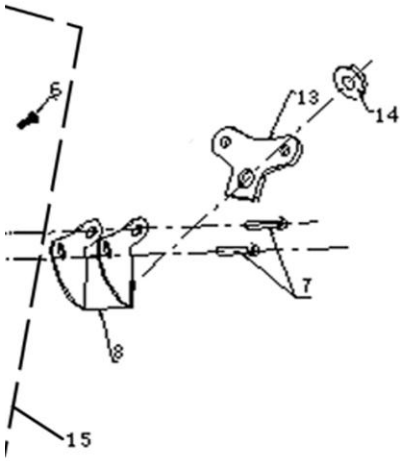


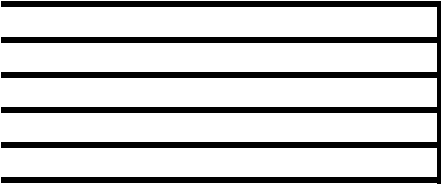
FR. →



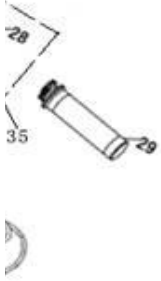








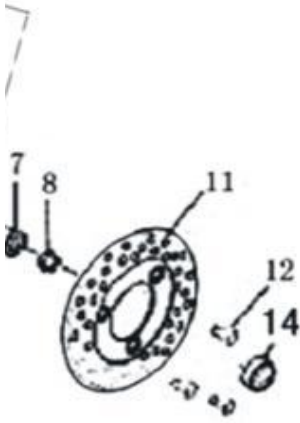


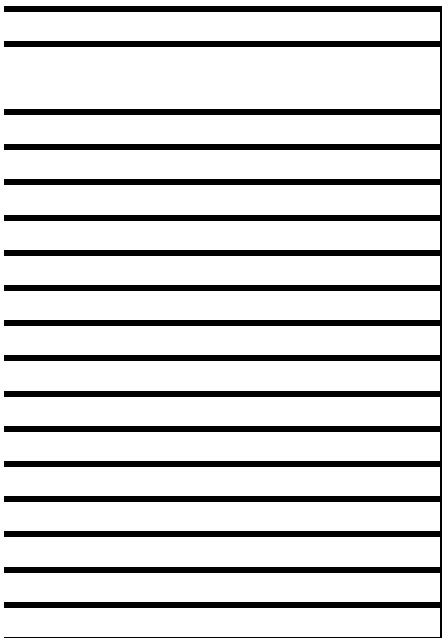
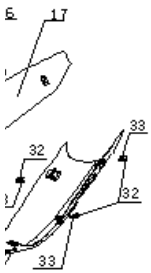
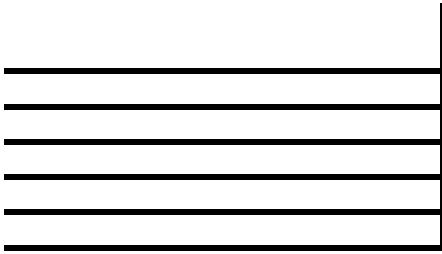


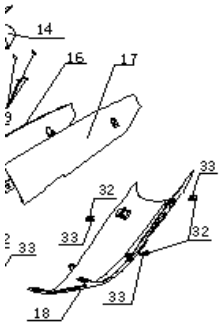
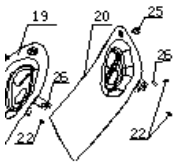
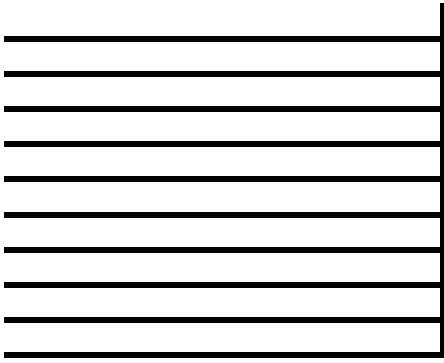


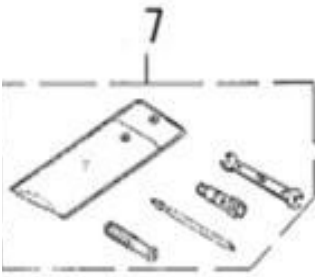
15

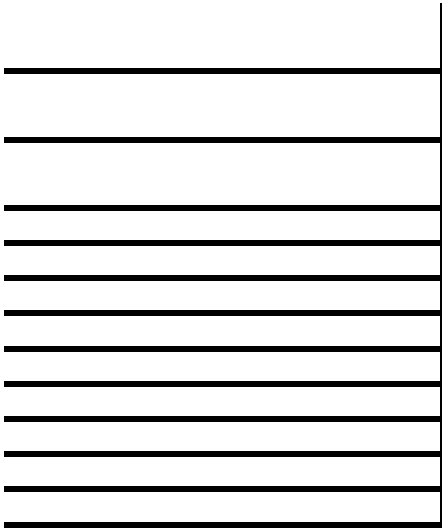
2/14
-29



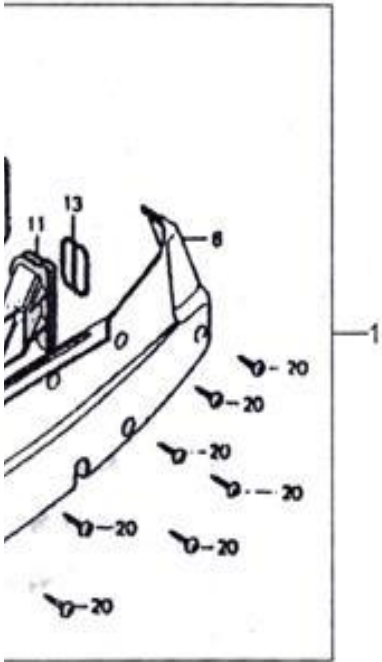


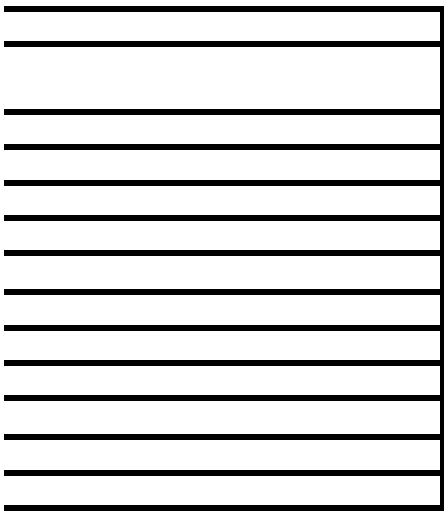
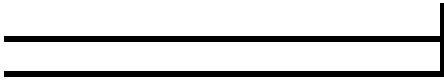






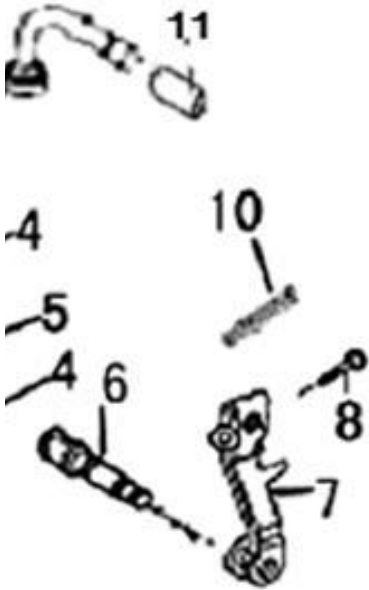


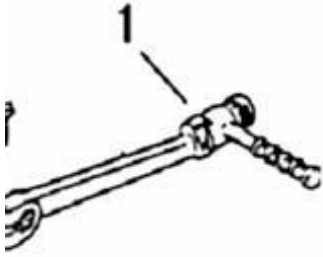




r

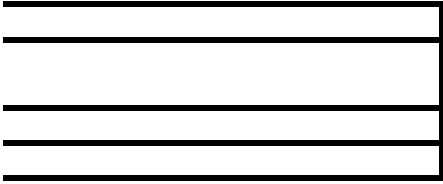


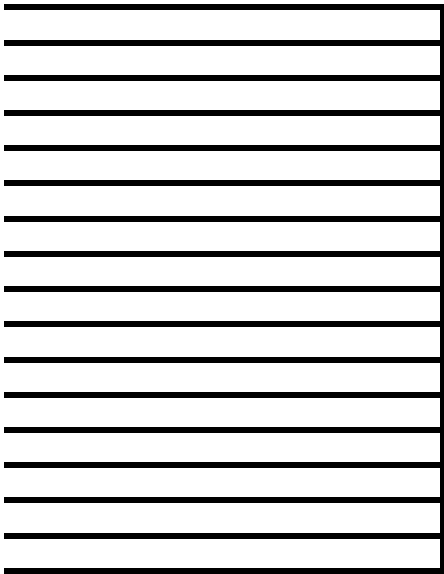


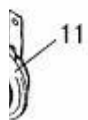
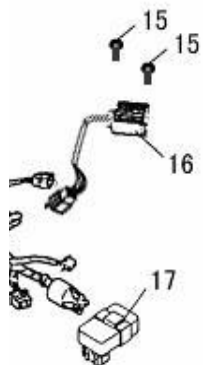


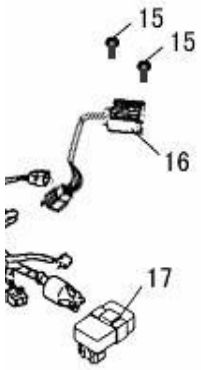
4

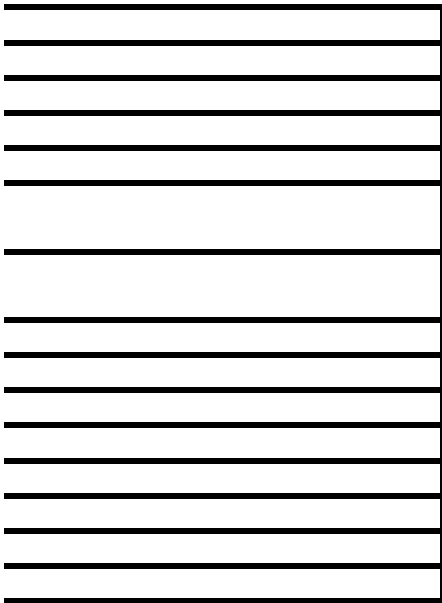
- 13

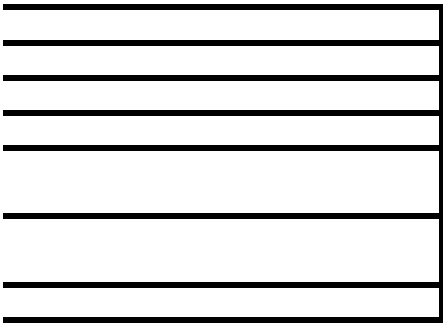
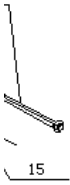












WARNING
These safety precautions may increase the risk of injury:
• eye protection and bright protection
• r consuming alcohol or other drug.
• on road is slipping or visibility is low.
• manual carefully.