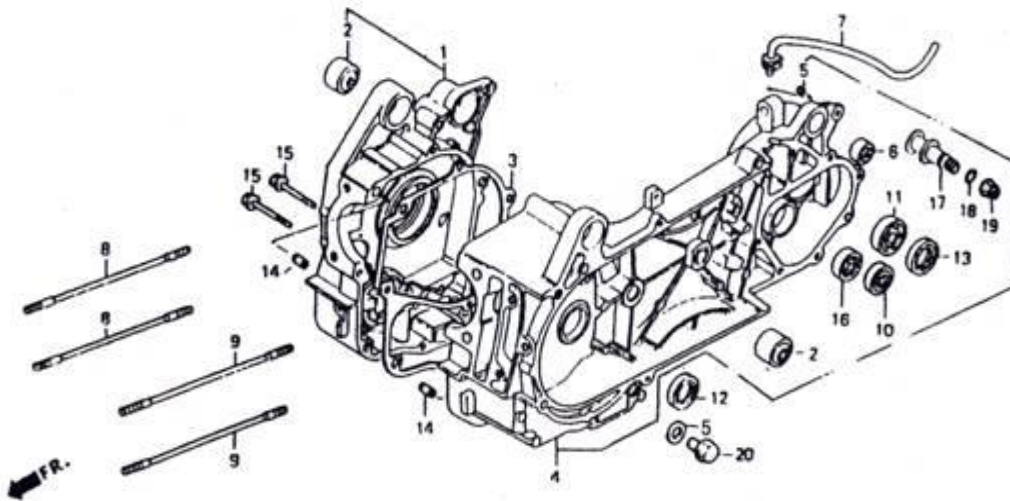


## JL125T-10 PARTS EXPLODE DRAWING

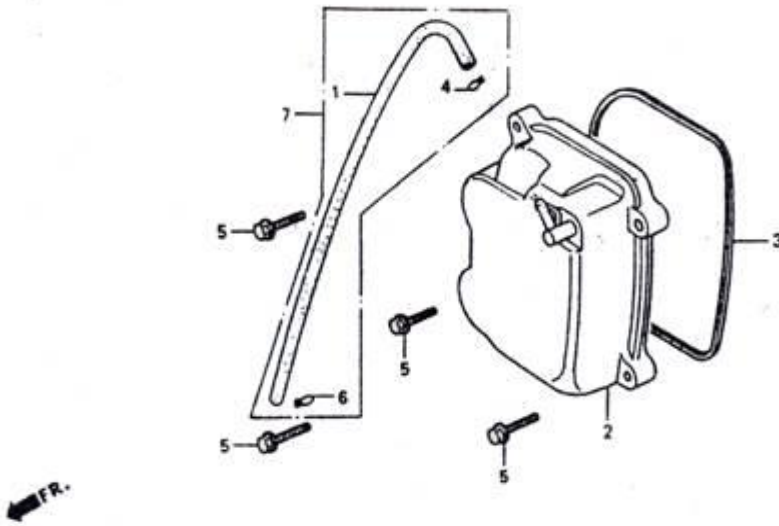
Edition No.: 01 , Year: 2007





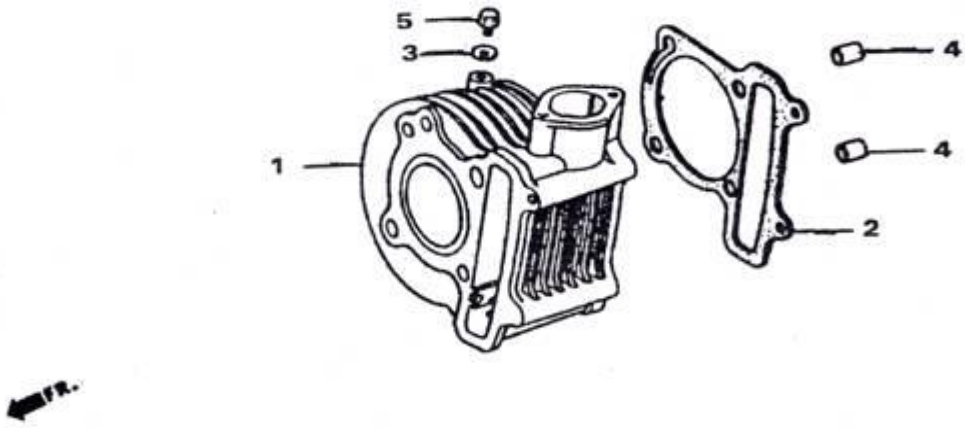
E-1 Crank case

REF.NO.	PART NO.	DESCRIPTION	Q.T.Y
1	E0101	CRANKCASE ASSY R	1
2	E0102	BUSH ENGINE HANGER RUBBER	2
3	E0103	GASKET CRANKCASE	1
4	E0104	CRANKCASE ASSY L	1
5	E0105	WASHER DRAIN PLUG 12MM	1
6	E0106	BUSHRR CUSHION UNDER RUBBER	1
7	E0107	TUBE BREATHER	1
8	E0108	BOLT STUD 8X187.5	2
9	E0109	BOLT STUD 8X195.5	2
10	E0110	BEARING RADIAL BALL 6201	1
11	E0111	BEARING RADIAL BALL 6004UU	1
12	E0112	OIL SEAL 19.8X30X5	1
13	E0113	OIL SEAL 27X42X7	1
14	E0114	PIN DOWEL 8X14	2
15	E0115	BOLT FLANGE 6X50	2
16	E0116	BEARING RADIAL BALL 6002	1
17	E0117	PIN BRAKE SHOE ANCHOR	1
18	E0118	O-RING 7.5X1.5	1
19	E0119	NUT FLANGE 8MM	1
20	E0120	BOLT DRAIN PLUG 12MM	1



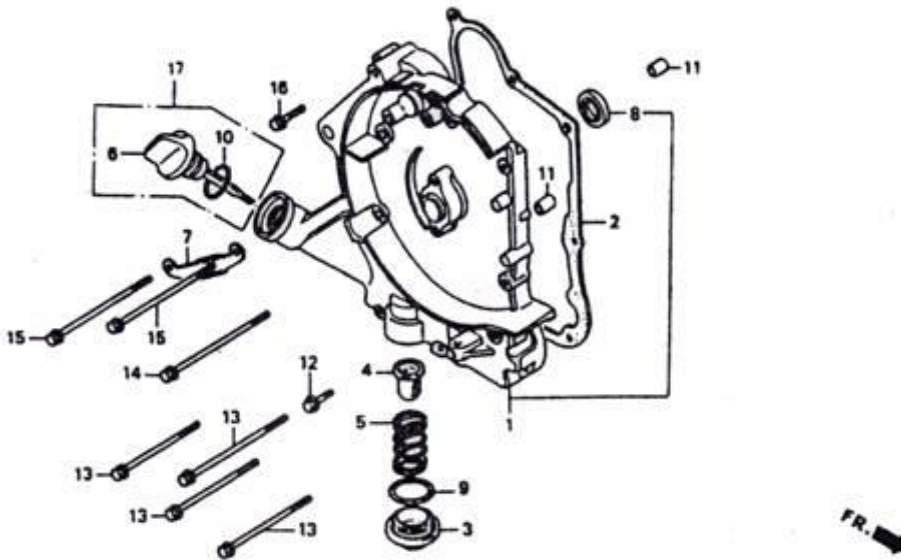
E-2 Cylinder Head Cover

REF.NO.	PART NO.	DESCRIPTION	Q.T.Y
1	E0201	TUBE BREATHER	1
2	E0202	COVER COMP CYLINDER HEAD	1
3	E0203	CASKET HEAD COVER	1
4	E0204	CLAMP TUBE(D8.5)	2
5	E0205	BOLT FLANGE 6X25	4
6	E0206	CLAMP HEAD COVER	1
7	E0207	TUBE BREATHER ASSY	1



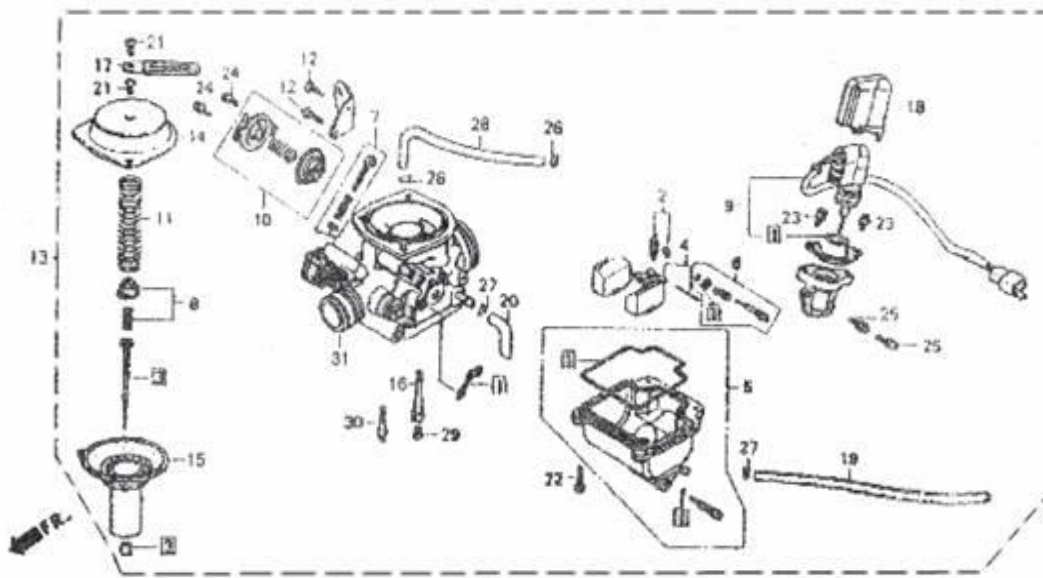
E-3 Cylinder

REF.NO.	PART NO.	DESCRIPTION	Q.T.Y
1	E0301	CYLINDER COMP	1
2	E0302	GASKET CYLINDER	1
3	E0303	WASHER SEALING 6.5MM	1
4	E0304	PIN DOEWL 10X16	2
5	E0305	BOLT FLANG 6X12	1



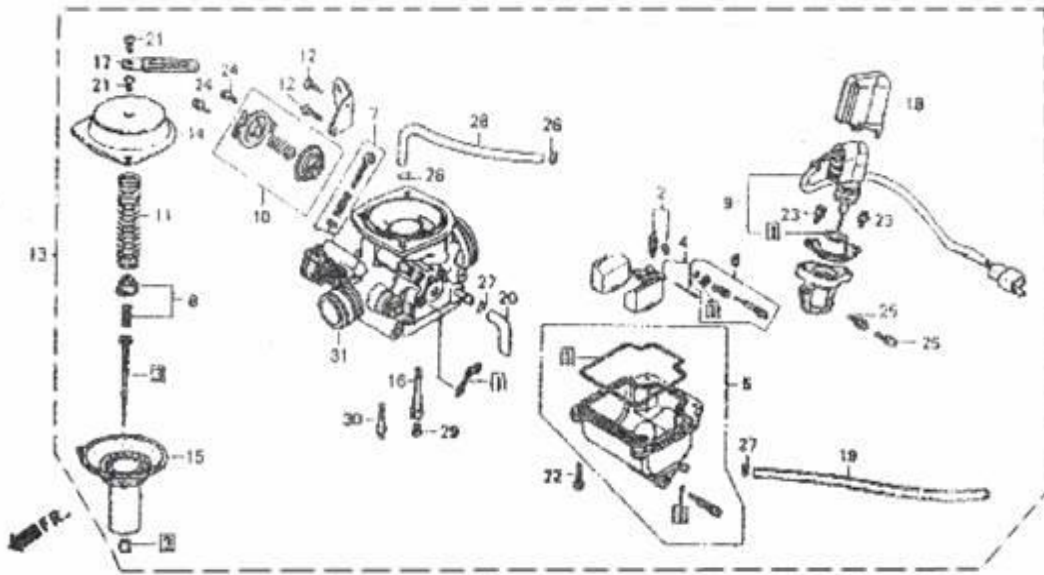
E-4 Right Crankcase Cover

REF.NO.	PART NO.	DESCRIPTION	Q.T.Y
1	E0401	COVER R CRANKCASE COMP	1
2	E0402	GASKET R CRANKCASE COVER	1
3	E0403	COVER OIL FILTER	1
4	E0404	SCREEN OIL FILTER	1
5	E0405	SPRING OIL FILTER SCREEN	1
6	E0406	GAUGE OIL LEVEL	1
7	E0407	CLAMPER A.C.GENERATOR CORD	1
8	E0408	OIL SEAL 19.8X30X5	1
9	E0409	O-RING 30.8MM	1
10	E0410	O-RING 18X3	1
11	E0411	PIN DOWEL 8X14	2
12	E0412	BOLT FLANGE 6X32	1
13	E0413	BOLT FLANGE 6X95	4
14	E0414	BOLT FLANGE 6X100	1
15	E0415	BOLT FLANGE 6X110	2
16	E0416	BOLT FLANGE 6X40	1



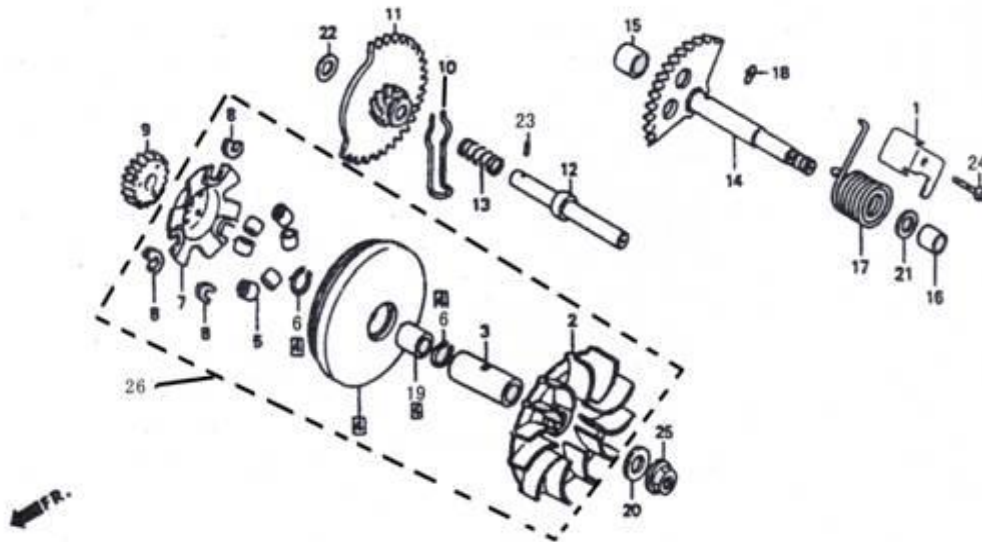
E-5 Carburetor

REF.NO.	PART NO.	DESCRIPTION	Q.T.Y
1	E0501	GASKET SET	1
2	E0502	VALVE SET FLDAT	1
3	E0503	NEEDLE SET JET	1
4	E0504	SET FLDAT	1
5	E0505	CHAMBER SET FLDAT	1
6	E0506	SCREW SET A	1
7	E0507	SCREW SET B	1
8	E0508	PLATE SET VALVE	1
9	E0509	VALVE SET STARTER	1
10	E0510	VALVE SET AIR CUT	1
11	E0511	SPRING COMPRESSION COIL	1
12	E0512	SCREW PAN 5X12	2
13	E0513	CARBURETOR ASSY	1
14	E0514	TOP COMP	1
15	E0515	PISTON COMP VACUUM	1
16	E0516	HOLDER NEEDLE JET	1
17	E0517	CLIP PLATE	1
18	E0518	CAP HOLDER	1
19	E0519	TUBE	1
20	E0520	TUBE	1
21	E0521	SCREW PAN 4X8	2
22	E0522	SCREW PAN 4X14	4
23	E0523	SCREW WASHER 4X8	2
24	E0524	SCREW WASHER 4X10	2
25	E0525	SCREW WASHER 5X12	2
26	E0526	CLIP B7 TUBE	2
27	E0527	CLIP B8 TUBE	2



E-5 Carburetor

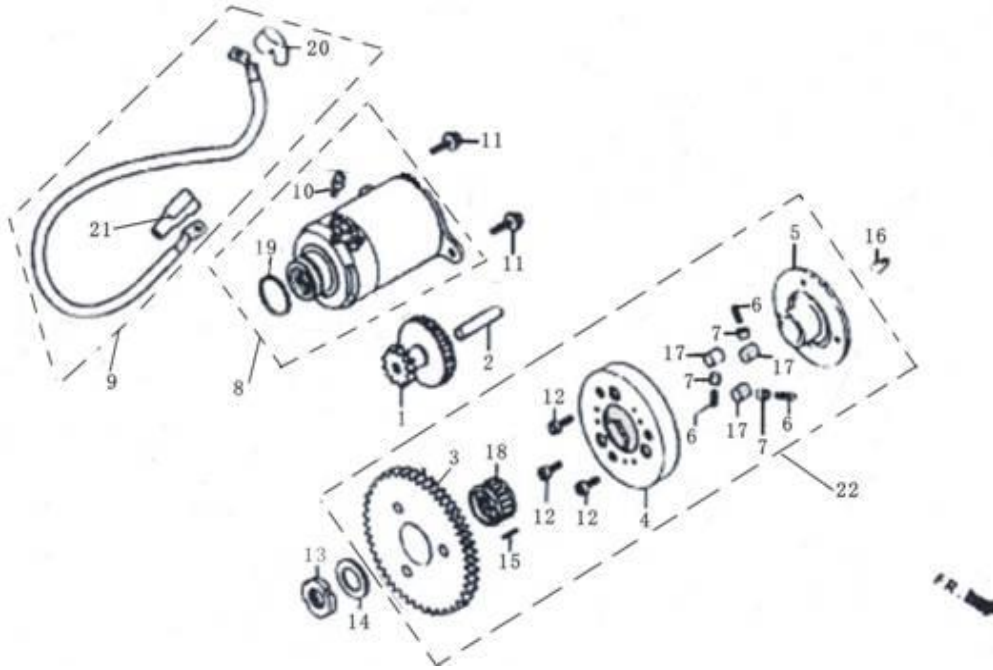
REF.NO.	PART NO.	DESCRIPTION	Q.T.Y
28	E0528	TUBE 3.5X210	1
29	E0529	JET MAIN #112	1
30	E0530	JET SLOW #35	1
31	E0531	CARBURETOR BODY	1



E-6 Drive Pulley

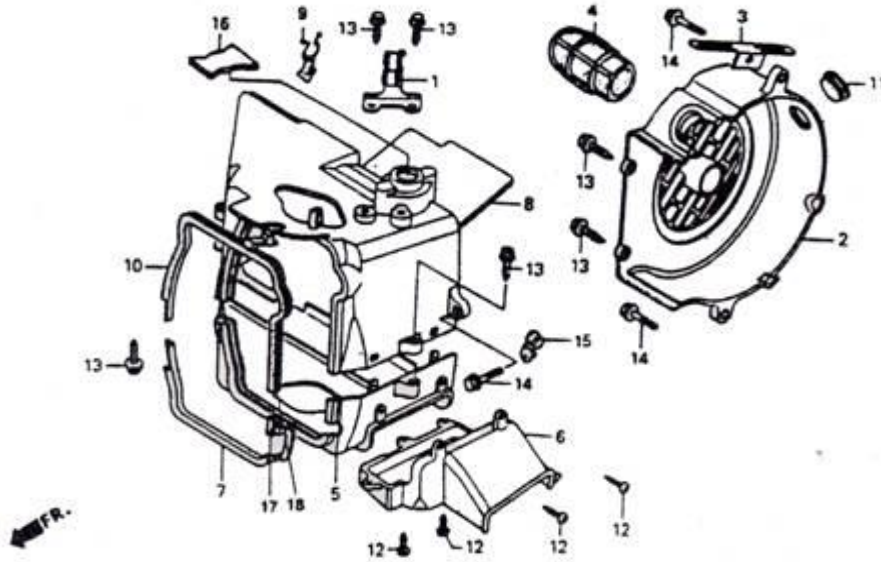
REF.NO.	PART NO.	DESCRIPTION	Q.T.Y
1	E0601	PLATE KICK RETURN STOPPER	1
2	E0602	FACE DRIVE	1
3	E0603	BOSS DRIVE FACE	1
4	E0604	FACE COMP MOVABLE DRIVE	1
5	E0605	ROLLER SET WEIGHT	6
6	E0606	CLIP 28MM	2
7	E0607	PLATE RAMP	1
8	E0608	POECE SLIDE	3
9	E0609	GEAR KICK DRIVEN(20T)	1
10	E0610	SPRING STARTER GEAR FRICTION	1
11	E0611	GRAR COMP STARTER IDLE(13T/49T)	1
12	E0612	SHAFT STARTER IDEL	1
13	E0613	SPRING STARTER IDEL	1
14	E0614	SPINDLE COMP KICK STARTER	1
15	E0615	BUSH 12X16X12	1
16	E0616	BUSH KICK SPINDLE 14X18X16	1
17	E0617	SPRING KICK STARTER	1
18	E0618	PIN SPECIAL 4.5MM	1
19	E0619	COLLAR DRIVE FACE	1
20	E0620	WASHER PLAIN 12MM	1
21	E0621	WASHER 14MM	1
22	E0622	WASHER 12.5MM	1
23	E0623	ROLLER 3X8.5	1
24	E0624	BOLT FLANGE 6X14	1
25	E0625	NUT FLANGE 12MM	1
26	E0626	DRIVER ASSY.	1





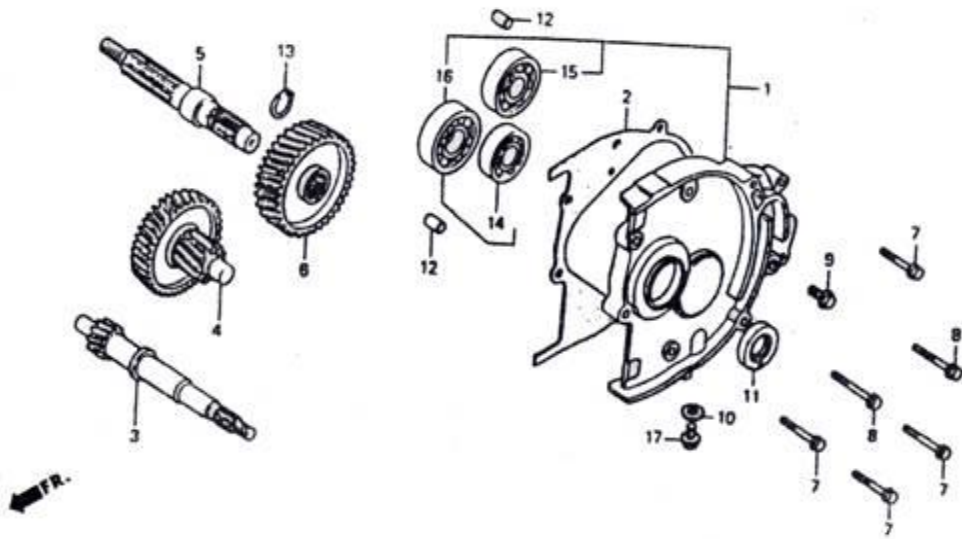
E-7 Starting Motor

REF.NO.	PART NO.	DESCRIPTION	Q.T.Y
1	E0701	GEAR STARTER REDUCTION	1
2	E0702	SHAFT STARTER REDUCTION GEAR	1
3	E0703	GEAR COMP STARTING CLUTCH	1
4	E0704	OUTER COMP STARTING CLUTCH	1
5	E0705	FLANGE STARTING CLUTCH	1
6	E0706	SPRING STARTING CLUTCH ROLLER	3
7	E0707	CAP STARTINGCLUTCH ROLLER SPRING	3
8	E0708	MOTOR ASSY STARTER	1
9	E0709	CABLE STARTER MOTOR	1
10	E0710	CAP RUBBER	1
11	E0711	CAP RUBBER	1
12	E0712	BOLT SOCKET 6X12	3
13	E0713	NUT LOCK 22MM	1
14	E0714	WASHER THRUST 18X31X1	1
15	E0715	PIN DOWEL 5X6	1
16	E0716	KEY WOODRUFF 15X14X4	1
17	E0717	ROLLER 10X10	3
18	E0718	BEARING NEEDLE 28X32X17	1
19	E0719	O-RING 24.4X3.1	1
20	E0720	SCREW-WASHER 6X12	3
21	E0721	BOLT FLANGE 6X20	2
22	E0722	TRANSCEND CLUTCH	1



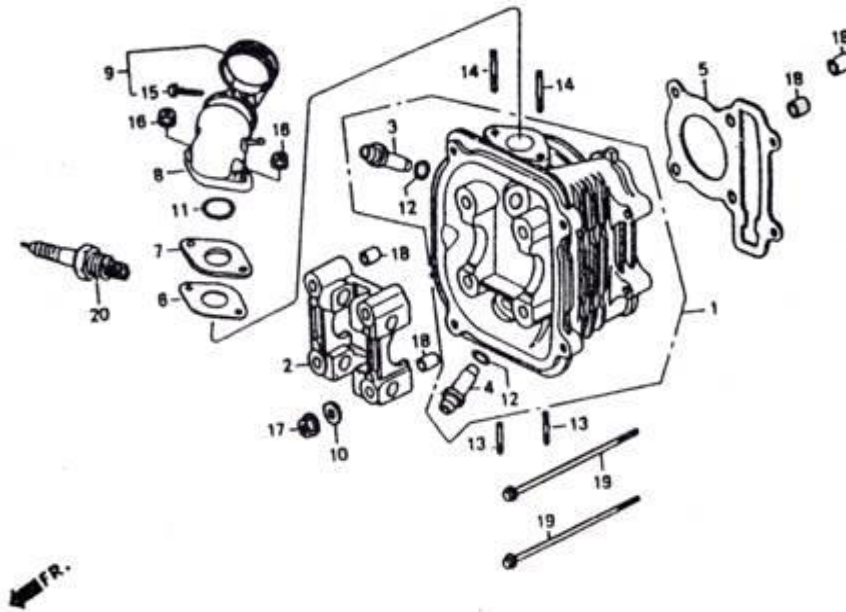
E-8 Fan Cover-Shroud

REF.NO.	PART NO.	DESCRIPTION	Q.T.Y
1	E0801	CLAMPER BREATHER TUBE	1
2	E0802	COVER COMP FAN	1
3	E0803	CLAMPER STARTER CABLE	1
4	E0804	DUCT CARBURETOR COOLING	1
5	E0805	SHROUD A	1
6	E0806	DUCT SHROUD	1
7	E0807	SEAL SHROUD(A)	1
8	E0808	SHROUD COMP B	1
9	E0809	CLIP HIGH TENSTON CORD	1
10	E0810	SEAL SHROUD(B)	1
11	E0811	CROMMET B SIDE PANEL	1
12	E0812	SCREW TAPPING 5X12	5
13	E0813	SCREW TAPPING 5X16	6
14	E0814	BOLT FLANGE 6X25	3
15	E0815	CLAMPER OVER FLOW HOSE	1
16	E0816	GROMMET SHROUD(B)	1
17	E0817	SEAL SHROOD	1
18	E0818	SEAL SHROOD	1



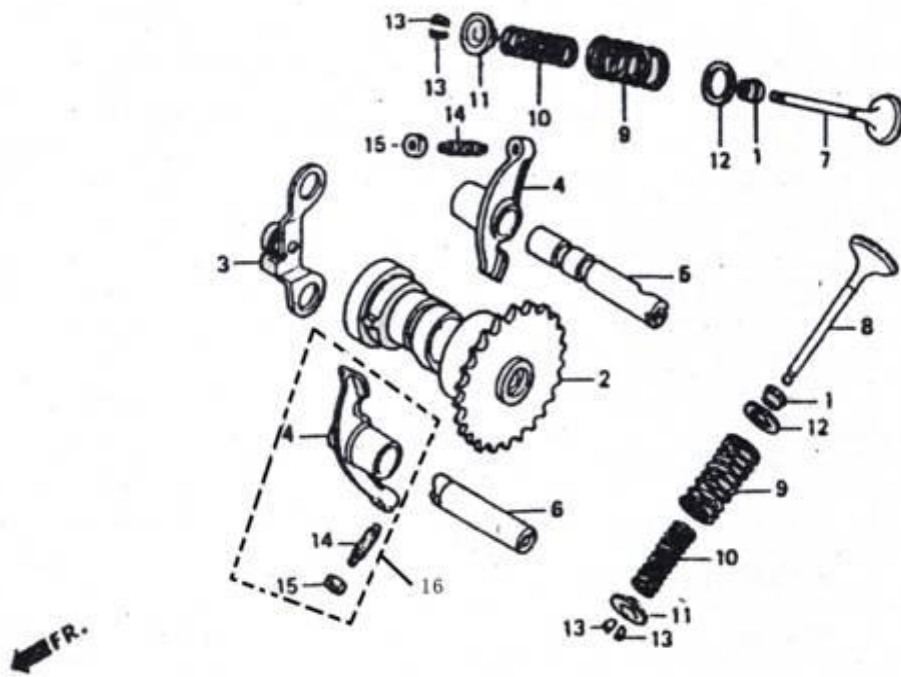
E-9 Transmission

REF.NO.	PART NO.	DESCRIPTION	Q.T.Y
1	E0901	COVER MISSION ASSY	1
2	E0902	GASKET MISSION COVER	1
3	E0903	SHAFT DRIVE	1
4	E0904	SHAFT COMP COUNTER	1
5	E0905	SHAFT FINAL	1
6	E0906	GEAR FINAL	1
7	E0907	BOLT FLANGE 6X28	3
8	E0908	BOLT FLANGE 6X35	3
9	E0909	BOLT SPECIAL 8MM	2
10	E0910	WASHER 8MM	1
11	E0911	OIL SEAL 20X32X6	1
12	E0912	PIN DOWEL 8X14	2
13	E0913	CIR CLIP EXTERNAL 20MM	1
14	E0914	BEARING RADIAL BALL 6202	1
15	E0915	BRARING RADIAL BALL 6203	1
16	E0916	BRARING RADIAL BALL 6204	1
17	E0917	BOLT M8X16	1



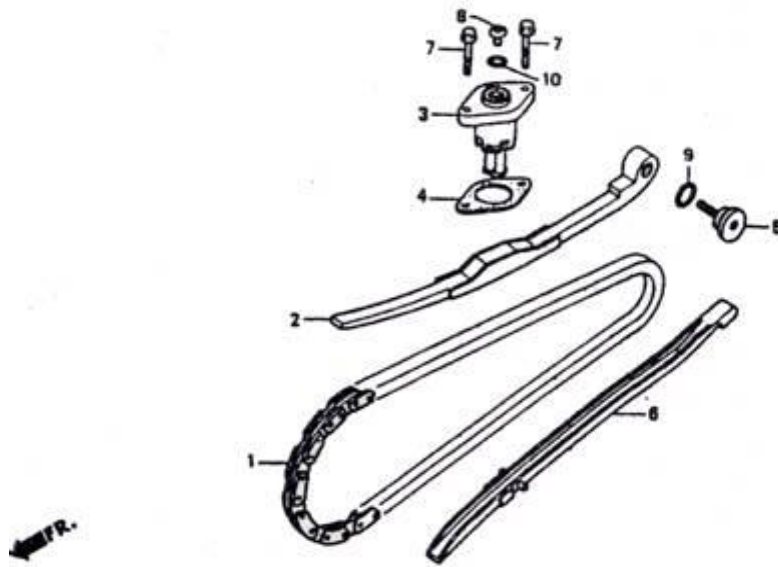
E-10 Cylinder Head

REF.NO.	PART NO.	DESCRIPTION	Q.T.Y
1	E1001	HEAD COMP CYLINDER	1
2	E1002	HOLDER CAMSHAFT	1
3	E1003	GUIDE IN VALVE	1
4	E1004	GUIDE EX VALVE	1
5	E1005	GASKER CYLINDER HEAD	1
6	E1006	GASKRT CARBURETOR INSULATOR	1
7	E1007	INSULATOR CARBURETOR	1
8	E1008	PIPE COMP IN	1
9	E1009	BAND INSULATOR	1
10	E1010	WASHER 8MM	4
11	E1011	O-RING $\phi 27 \times 2.0$	1
12	E1012	O-RING $\phi 9 \times 1.6$	2
13	E1013	BOLT 2 STUD 6X18	2
14	E1014	BOLT STUD 6X50	2
15	E1015	BOLT FLANGE 4X25	1
16	E1016	NUT FLANGE 6MM	2
17	E1017	NUT FLANGE 8MM	4
18	E1018	PON DOWEL 10X16	4
19	E1019	BOLT FLANGE 6X10	2
20	E1020	PLUG SPARK(C7HSA NGK)	1



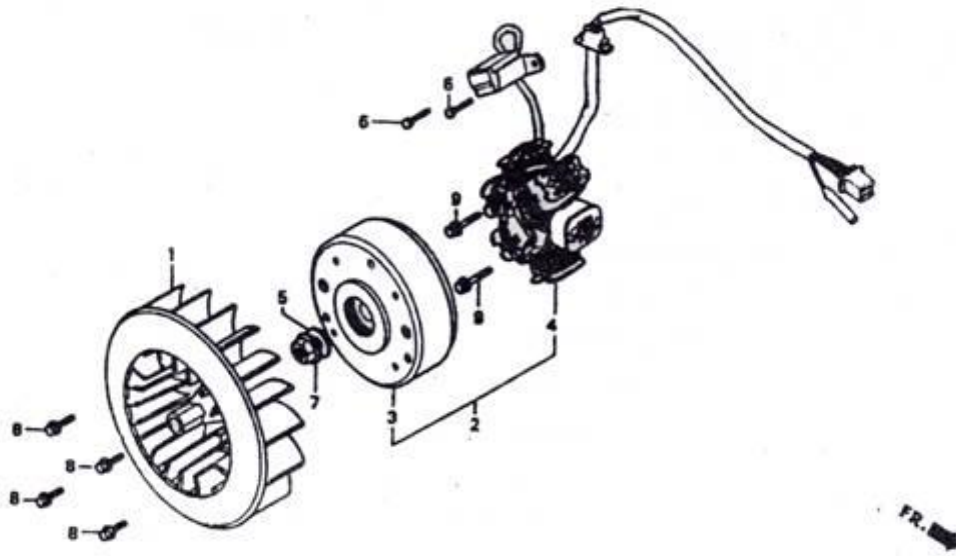
E-11 Camshaft Valve

REF.NO.	PART NO.	DESCRIPTION	Q.T.Y
1	E1101	SEAL VALVE STEM	2
2	E1102	CAMSHAFT COMP	1
3	E1103	PLATE COMP STOPPER	1
4	E1104	ARM VALVE ROCKER	2
5	E1105	SHAFT COMP IN ROCKER ARM	1
6	E1106	SHAFT EX ROCKER ARM	1
7	E1107	VALVE IN	1
8	E1108	VALVE EX	1
9	E1109	SPRING VALVE OUTER	2
10	E1110	SPRING VALVE INNER	2
11	E1111	RETAINER VALVE SPRING	2
12	E1112	SEAT VALVE SPRING OUTER	2
13	E1113	COTTER VALVE	4
14	E1114	SCREW TAPPET AD JUSTING	2
15	E1115	NUT TAPPET AD JUSTING	2
16	E1116	VALVE ROCKER ASSY.	2



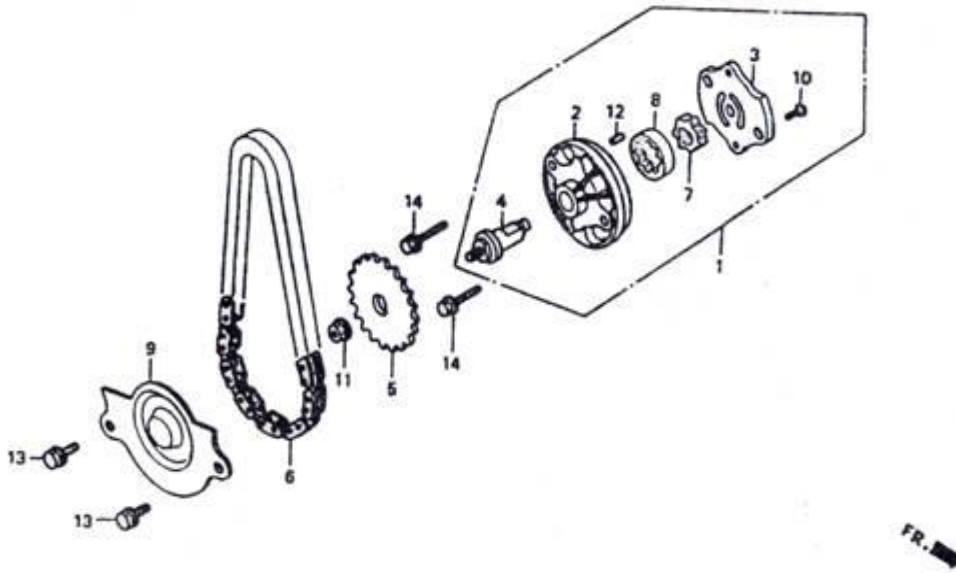
E-12 Cam Chain-Tensioner

REF.NO.	PART NO.	DESCRIPTION	Q.T.Y
1	E1201	CHAIN CAM	1
2	E1202	TENSIDNER CAM CHAIN	1
3	E1203	LIFTER ASSY TENSIONER	1
4	E1204	GASKET TENSIONER LIFTER	1
5	E1205	PIVOT CAM CHAIN TENSIONER	1
6	E1206	GUIDE COMP CAM CHAIN	1
7	E1207	BOLT FLANG 6X22	2
8	E1208	SCREW PAN 6X6	1
9	E1209	O-RING 15.2X1.5	1
10	E1210	O-RING 1.5-9.5	1



E-13 Generator

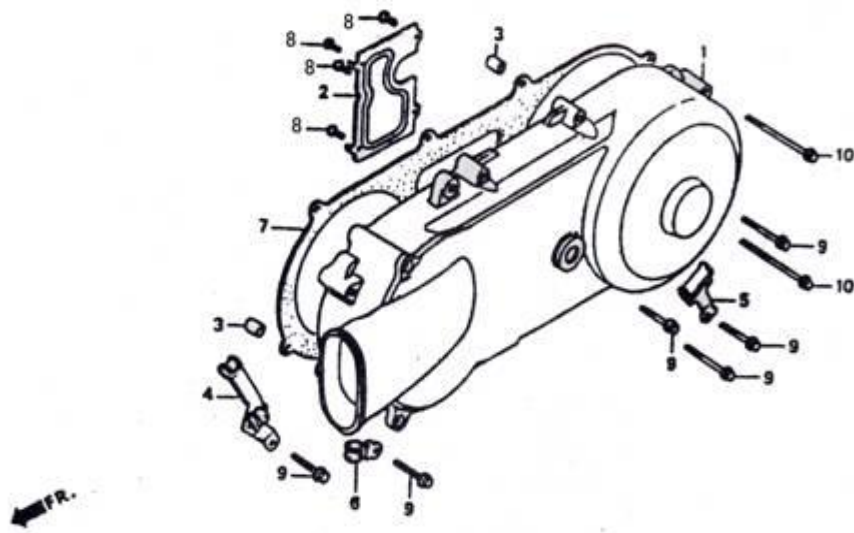
REF.NO.	PART NO.	DESCRIPTION	Q.T.Y
1	E1301	PAN COMP COOLING	1
2	E1302	GENERATOR ASSY FLYWHEEL TYPE D.C	1
3	E1303	FLYWHEEL COMP	1
4	E1304	STATOR COMP	1
5	E1305	WASHER PLAIN 12MM	1
6	E1306	BOLT HEX 5X12	2
7	E1307	NUT FLANGE 12MM	1
8	E1308	BOLT FLANGE 6X18	4
9	E1309	BOLT FLANGE 6X20	2



E-14 Oil pump

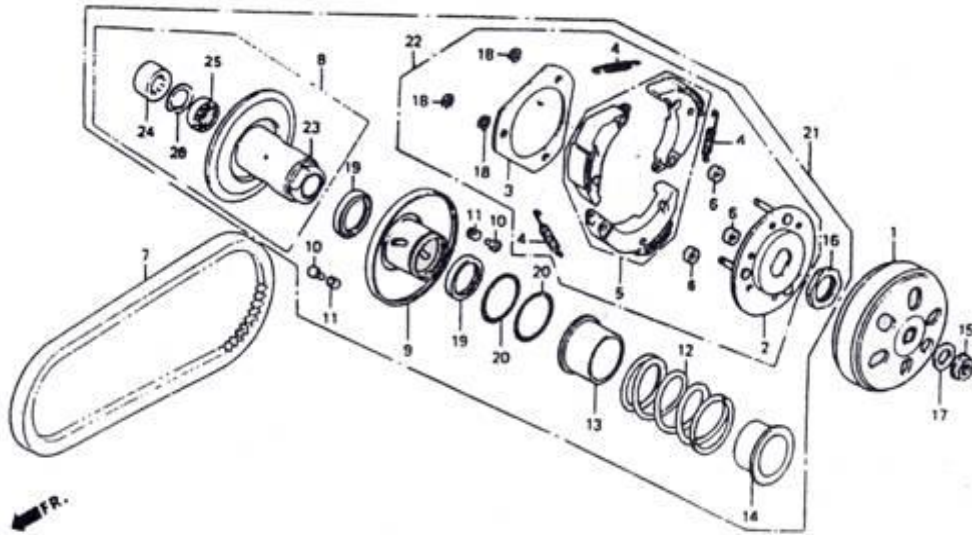
REF.NO.	PART NO.	DESCRIPTION	Q.T.Y
1	E1401	PUMP ASSY OIL	1
2	E1402	BODY OIL PUMP	1
3	E1403	PLATE OIL PUMP	1
4	E1404	SHAFT OIL PUMP	1
5	E1405	SPROCKET OIL PUMP DRIVEN	1
6	E1406	CHAIN OIL PUMP	1
7	E1407	ROTOR OIL PUMP INNER	1
8	E1408	ROTOR OIL PUMP OUTER	1
9	E1409	SEPARTOR OIL	1
10	E1410	SCREW PAN 3X10	1
11	E1411	NUT FLANGE 6MM	1
12	E1412	PON C DOWEL 4X6.5	1
13	E1413	BOLT FLANGE 6X12	2
14	E1414	BOLT FLANGE 6X25	2





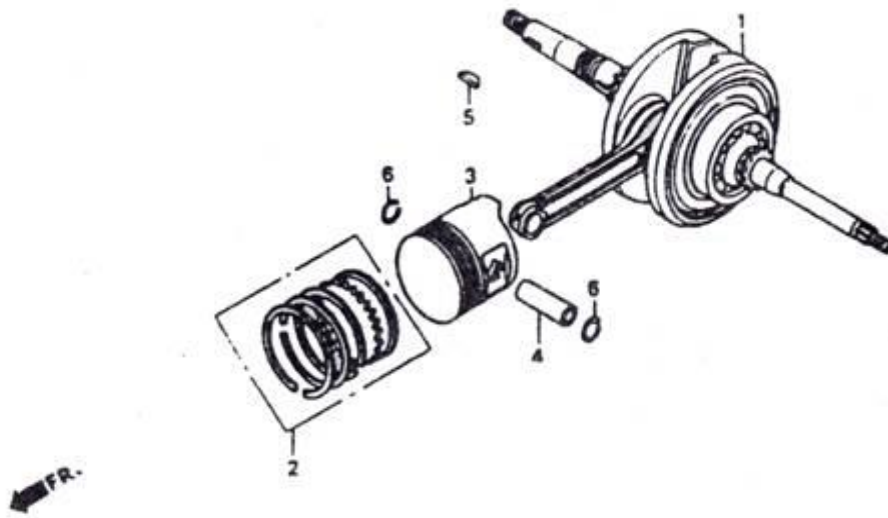
E-15 Left Crankcase Cover

REF.NO.	PART NO.	DESCRIPTION	Q.T.Y
1	E1501	COVER L	1
2	E1502	PLATE L COVER	1
3	E1503	PIN DOWEL 8X14	2
4	E1504	CLAMPER THROTTLE CABLE	1
5	E1505	CLAMPER BRAKE CABLE	1
6	E1506	CLAMPER BREATHER DRAIN TUBE	1
7	E1507	GASKET L COVER	1
8	E1508	SCREW TAPPING 4X8	4
9	E1509	BOLT FLANGE 6X40	6
10	E1510	BOLT FLANGE 6X65	2



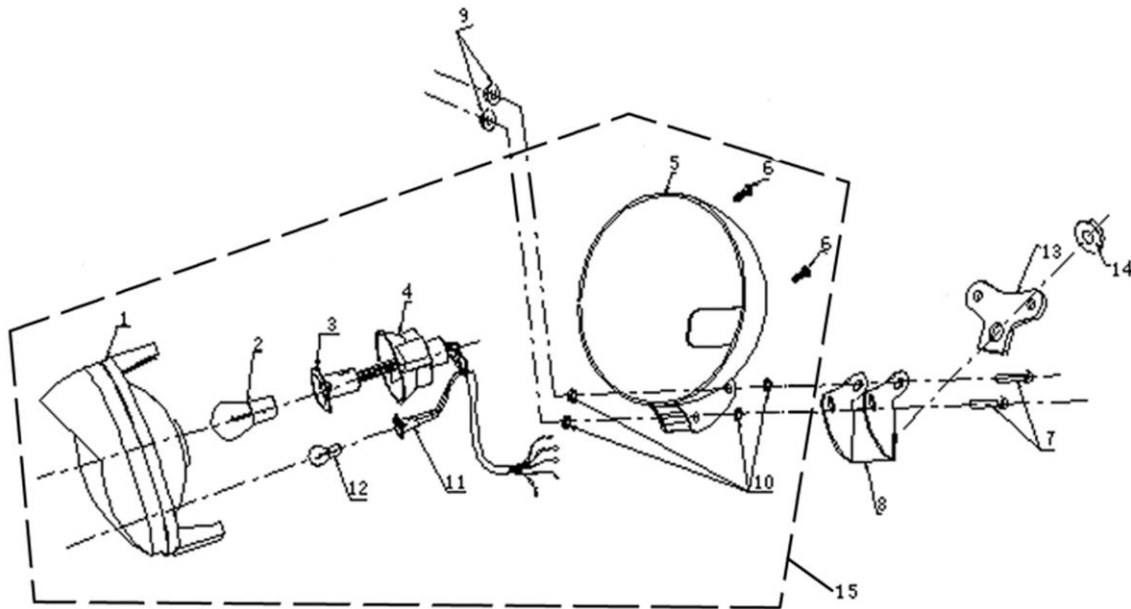
E-16 Driven Pully

REF.NO.	PART NO.	DESCRIPTION	Q.T.Y
1	E1601	OUTER CLUTCH	1
2	E1602	PLATE COMP DRIVE	1
3	E1603	PLATE CLUTCH SIDE	1
4	E1604	SPRING CLUTCH	1
5	E1605	WEIGHT SET CLUTCH	1
6	E1606	RUBBER CLUTCH DAMPER	3
7	E1607	BELT DRIVE	1
8	E1608	FACE ASSY DRIVEN	1
9	E1609	FACE COMP MOVABLE DRIVEN	1
10	E1610	PIN ROLLER GUIDE	3
11	E1611	ROLLER GUIDE	3
12	E1612	SPRING DRIVEN FACE	1
13	E1613	COLLAR SEAL	1
14	E1614	COLLAR SPRING	1
15	E1615	NUT COMPRESSOR FLANGE 12MM	1
16	E1616	NUT SPECIAL 28MM	1
17	E1617	WASHER PLAIN 12MM	3
18	E1618	CIRCLIP 7MM	3
18	E1618	PIN SPECIAL 4.5MM	3
19	E1619	SEAL DRIVER FACE 34X41X4	2
20	E1620	O-RING	2
21	E1621	PULLEY ASSY DRIVEN	1
22	E1622	PLATE ASSY DRIVEN	1
23	E1623	FACE COMP DRIVEN	1
24	E1624	BEARING NEEDLE 20X29X18	1
25	E1625	BEARING BALL REDLAL 6920U	1
26	E1626	CIRCLIP IN 28MM	1



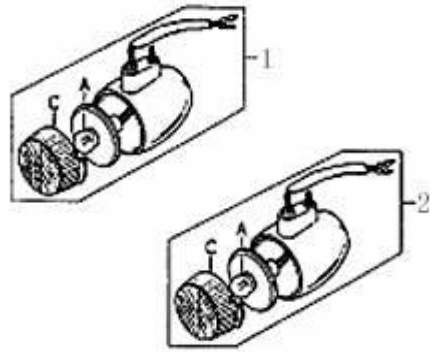
E-17 Crank Shaft-Piston

REF.NO.	PART NO.	DESCRIPTION	Q.T.Y
1	E1701	CRANKSHAFT COMP	1
2	E1702	RING SET PISTON (STD)	1
3	E1703	PISTON (STD)	1
4	E1704	PIN PISTON	1
5	E1705	KEY WOODRUFF 25X14X4	1
6	E1706	CLIP PISTON PIN 15MM	2



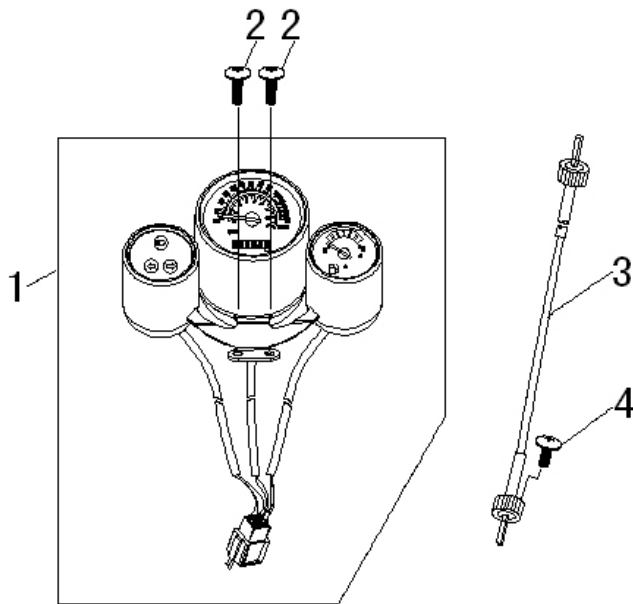
F-01 HEAD LIGHT ASSY.

REF.NO.	PART NO.	DESCRIPTION	Q.T.Y
1	F0101	ASSEMBLED OF HEAD LIGHT FRONT COVER	1
2	F0102	BULB	1
3	F0103	LAMP HOLDER	1
4	F0104	RUBBER SHEATH OF HAND LIGHT	1
5	F0105	REAR COVER OF HAND LIGHT	1
6	F0106	CROSS SCREW M4×12	2
7	F0107	SCREW M6×45	2
8	F0108	HEADLIGHT BRACKET	1
9	F0109	SCREW M6	2
10	F0110	RUBBER WASHER	4
11	F0111	FAUCET OF POSITION LIGHT	1
12	F0112	LIGHT BULB OF POSITION LIGHT	1
13	F0113	LINK BOARD OF HANDLIGHT BRACKET	1
14	F0114	SCREW M10	1
15	F0115	HEAD LIGHT	1



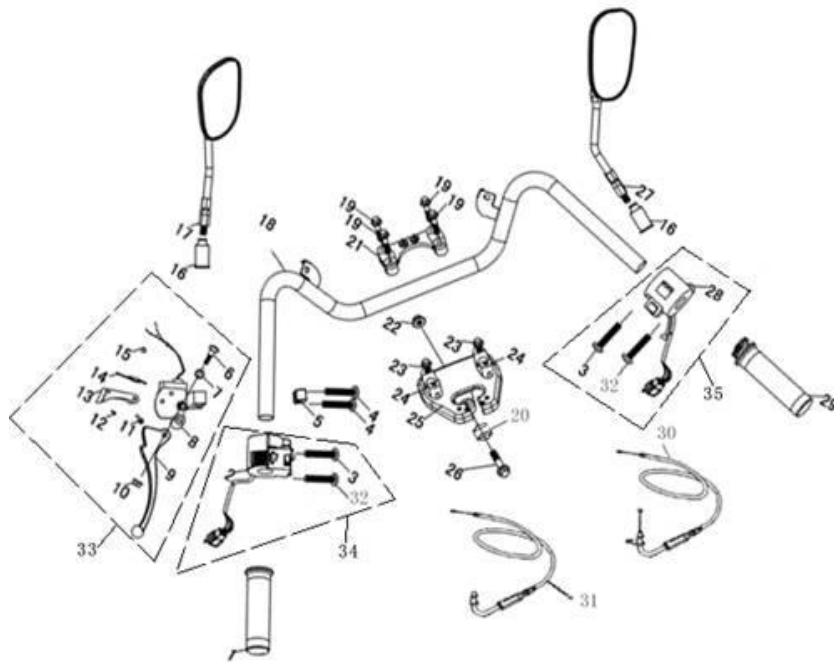
F-02 SIGNAL LIGHT

REF.NO.	PART NO.	DESCRIPTION	Q.T.Y
A	F02A	12V/10W LIGHT BULB	2
C	F02C	FRONT MANTLE	2
1	F0201	FRONT DIRECTION LAMP LH	1
2	F0202	FRONT DIRECTION LAMP RH	1



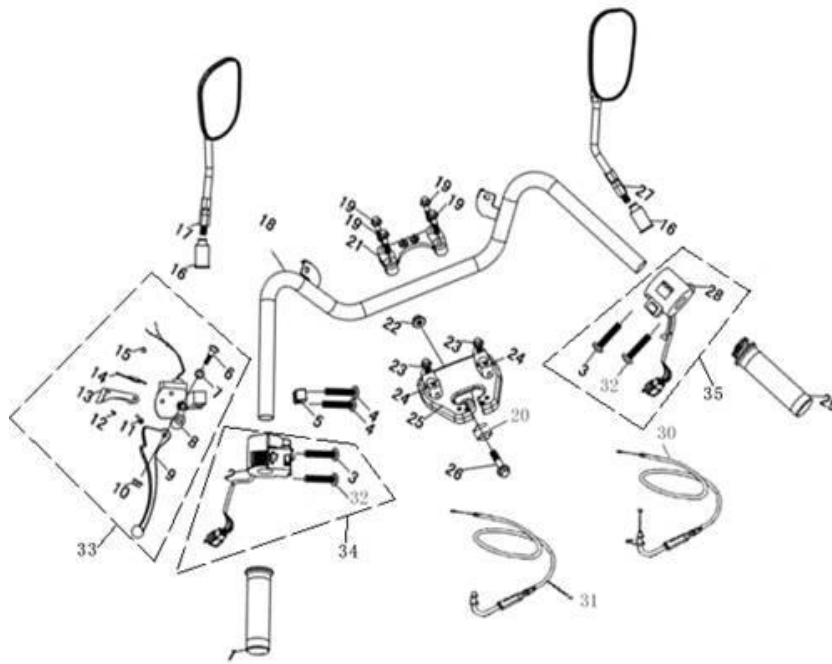
F-03 Speedometer

REF.NO.	PART NO.	DESCRIPTION	Q.T.Y
1	F0301	ASSEMBLED METER	1
2	F0302	CROSS FLAT BOLT M5 X16	2
3	F0303	SOFT AXES	1
4	F0304	SCREW M5 X20	1



F-04 OPERATION SYSTEM

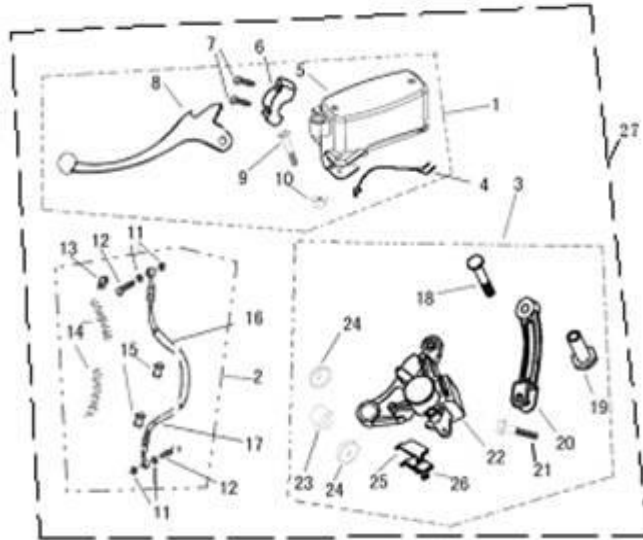
REF.NO.	PART NO.	DESCRIPTION	Q.T.Y
1	F0401	RUBBER SHEATH LH	1
2	F0402	BRAKE HANDLEBAR LH	1
3	F0403	CROSS TROUGH SCREW M5 X25	2
4	F0404	SIX CORNER INSIDE SCREW M6 X25	2
5	F0405	COVER OF BRANCH HANDLEBAR	1
6	F0406	SCREW POLE M6 X28	1
7	F0407	WASHER 8	1
8	F0408	BRANCH HANDLEBAR SYSTEM	1
9	F0409	LEFT HANDLE	1
10	F0410	SCREW M6	1
11	F0411	AXES $\varnothing$ 6	1
12	F0412	AXES $\varnothing$ 3	1
13	F0413	PIECE FOR LIMIT POSITION	1
14	F0414	SPRING	1
15	F0415	WASHER FOR OPEN 3	1
16	F0416	RUBBER SHEATH	2



F-04 OPERATION SYSTEM

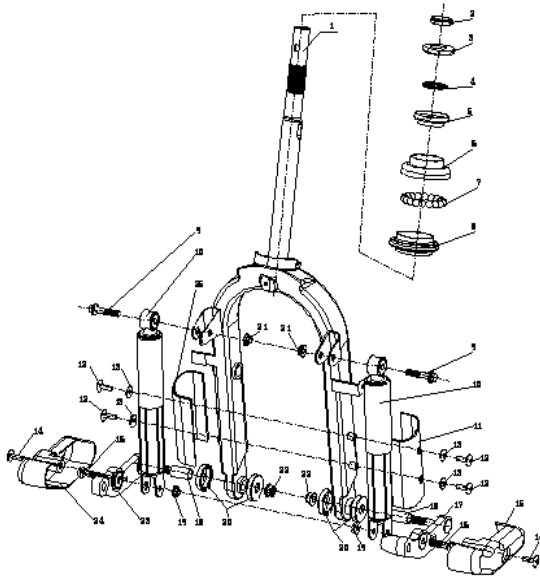
REF.NO.	PART NO.	DESCRIPTION	Q.T.Y
17	F0417	REAR VIEW MIRROR LH	1
18	F0418	HANDLEBAR TUBE	1
19	F0419	SCREW M8X40	4
20	F0420	BUSH	1
21	F0421	FASTNESS PIECE OF HANDLEBAR	1
22	F0422	SCREW M10	1
23	F0423	SCREW M8X16	2
24	F0424	DOWN BRANCH SUPPORT OF HANDLEBAR	2
25	F0425	DOWN FASTNESS PIECE OF HANDLEBAR	1
26	F0426	SCREW M10X50X1.25	1
27	F0427	REAR VIEW MIRROR RH	1
28	F0428	HANDLEBAR RH	1
29	F0429	RUBBER SHEATH OF THROTTLE RH	1
30	F0430	THROTTLE CABLE	1
31	F0431	BRAKE CABLE	1
32	F0432	CROSS TROUGH SCREW M5 X35	2
33	F0433	HANDLE BAR,LH	1
34	F0434	BRAKE HANDLE,LH	1
35	F0435	BRAKE HANDLE,RH	1





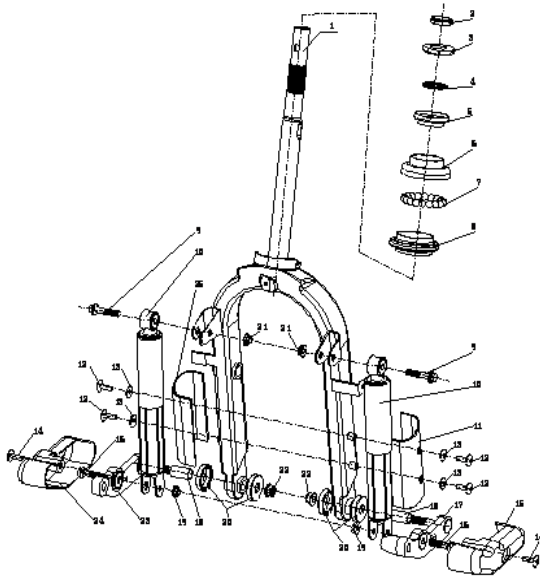
F-05 DISK BRAKE

REF.NO.	PART NO.	DESCRIPTION	Q.T.Y
1	F0501	ASSEMBLED UPPER PUMP	1
2	F0502	ASSEMBLED MOVE TUBE	1
3	F0503	ASSEMBLED LOWER PUMP	1
4	F0504	SWITCH CABLE OF BRAKE	1
5	F0505	UPPER PUMP ASSY	1
6	F0506	PRESS PIECE	1
7	F0507	SIX CORNER INSIDE SCREW M6×20	2
8	F0508	HANDLEBAR OF MOVE	1
9	F0509	SCREW FOR INSTALL HANDLEBAR M6×38	1
10	F0510	SCREW M6	1
11	F0511	PURPLE CUPRUM WASHER	4
12	F0512	SCREW OF OIL TUBE	2
13	F0513	JACKET	1
14	F0514	SPRING FOR MOVING TUBE	2
15	F0515	RUBBER WASHER	2
16	F0516	JACKET FOR OIL TUBE	1
17	F0517	OIL TUBE	1
18	F0518	SCREW	1
19	F0519	SHEATH FOR FASTNESS	1
20	F0520	UPPER ROCK ARM	1
21	F0521	SIX CORNER SCREW M8×35	1
22	F0522	MOVING PLIERS	1
23	F0523	BUSH	1
24	F0524	SHEATH FOR PREVENT DUST	2
25	F0525	LEFT RUBING PIECE	1
26	F0526	RIGHT RUBING PIECE	1
27	F0527	DISK BRAKE	1



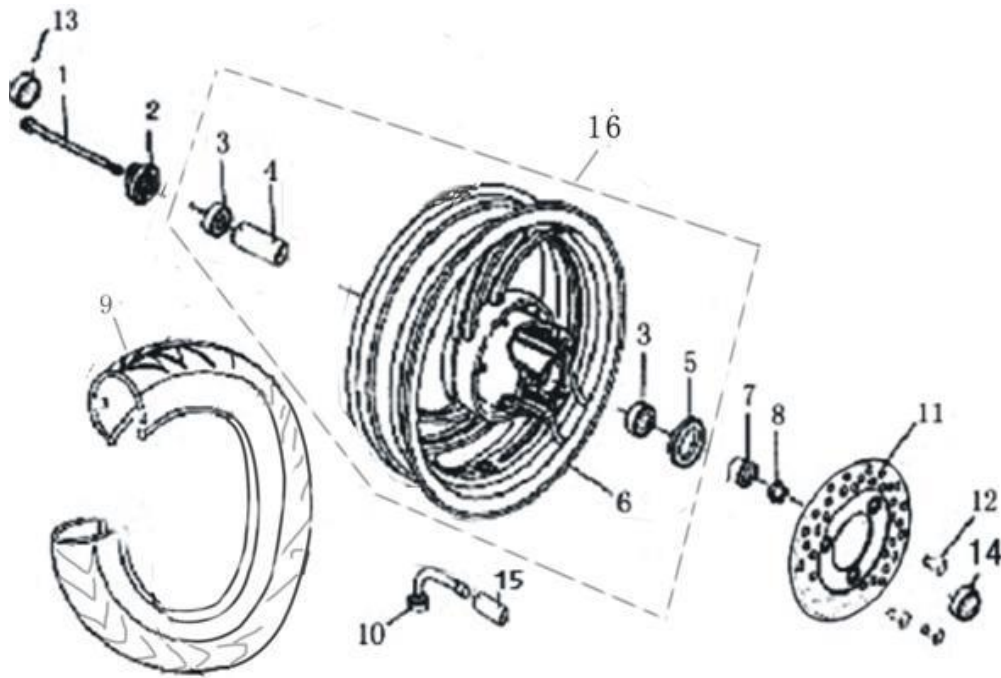
F-06 FRONT FORK

REF.NO.	PART NO.	DESCRIPTION	Q.T.Y
1	F0601	ASSEMBLED OF DIRECTION POLE JOINTING	1
2	F0602	LOCKING SCREW OF DIRECTION POLE	1
3	F0603	UPPER AXLETREE	1
4	F0604	UPPER STEEL BALL	23
5	F0605	UPPER STEEL BALL BOWL	1
6	F0606	LOWER STEEL BALL BOWL	1
7	F0607	LOWER STEEL BALL	19
8	F0608	LOWER AXLETREE	1
9	F0609	SIX CORNER SCREW M8×40	2
10	F0610	FRONT ABSORBER	2
11	F0611	FRONT FORK DECORATE PLATE RH	1
12	F0612	CROSS FALT SCREW M6×14	4
13	F0613	WASHER6	4
14	F0614	CROSS FALT SCREW M6×12	2



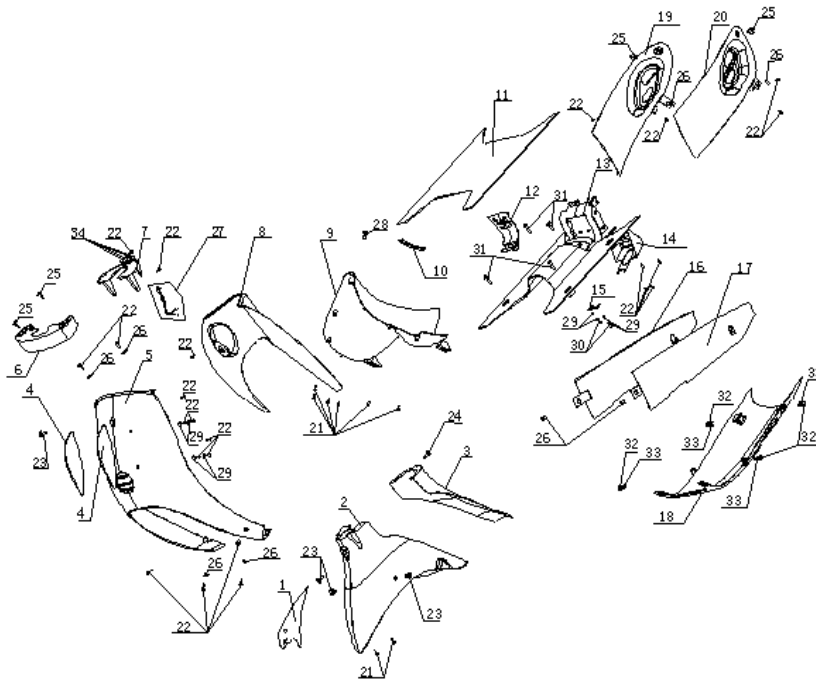
F-06 FRONT FORK

REF.NO.	PART NO.	DESCRIPTION	Q.T.Y
15	F0615	ROCKING ARM DECORATE PLATE RH	1
16	F0616	CROSS SMOOTH SCREW M8×33	2
17	F0617	MOVING ARM LH	1
18	F0618	BUSH	2
19	F0619	SIX CORNER INSIDE LOCKED ITSELF SCREW M8	2
20	F0620	SHEAF FOR PREVENT DUST	4
21	F0621	SIX CORNER INSIDE LOCKED ITSELF SCREW M8	2
22	F0622	SIX CORNER INSIDE LOCKED ITSELF SCREW M10	2
23	F0623	ROCKING ARM RH	1
24	F0624	ROCKING ARM DECORATE PLATE LH	1
25	F0625	FRONT FORK DECORATE PLATE	1



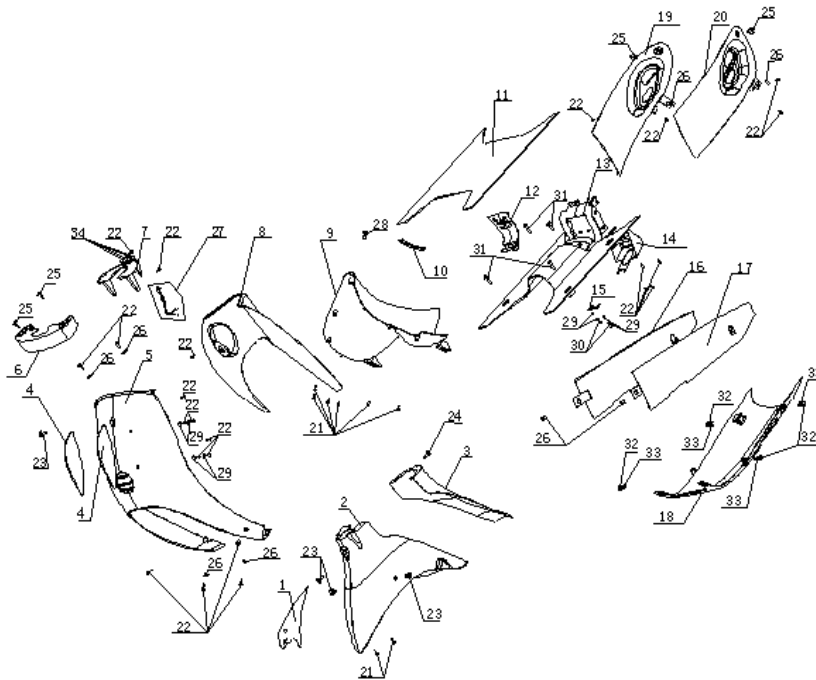
F-07 FRONT WHEEL

REF.NO.	PART NO.	DESCRIPTION	Q.T.Y
1	F0701	FRONT WHEEL AXES M12×245	1
2	F0702	COUNT ASSY	1
3	F0703	AXLETREE6201	2
4	F0704	CENTER BUSH	1
5	F0705	OIL SEAL	1
6	F0706	FRONT WHEEL AXES	1
7	F0707	BUSH	1
8	F0708	SCREW M12	1
9	F0709	TYRE	1
10	F0710	MOUTH OF AIR DOOR	1
11	F0711	DISK BRAKE DISH	1
12	F0712	DISK BRAKE SCREW M8×25	3
13	F0713	RUBBER SHEATHΦ14	1
14	F0714	RUBBER SHEATHΦ17	1
15	F0715	SHEATH OF AIR DOOR	1
16	F0716	FRONT RIM COMP.	1



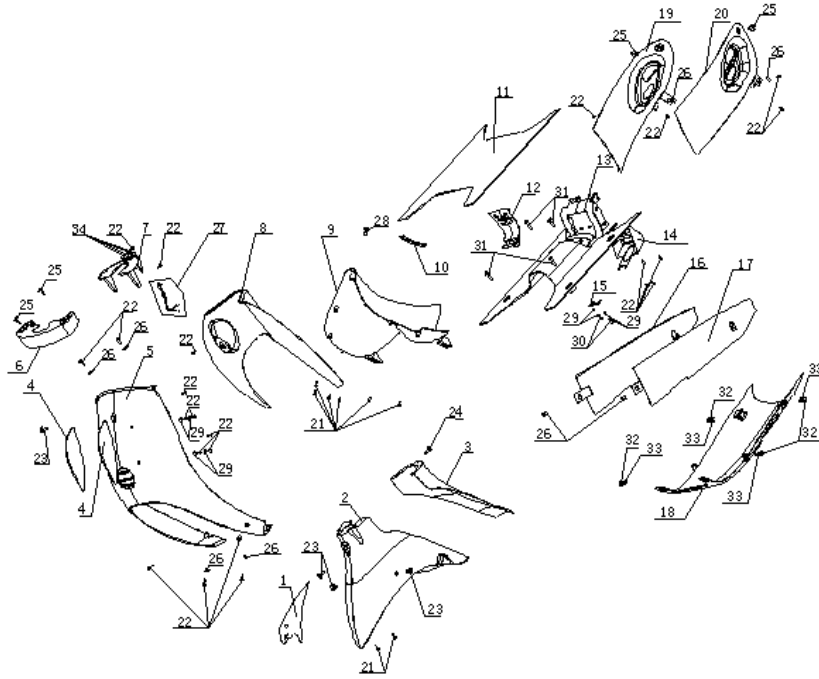
F-08 FRONT FENDER-FRONT COVER-FLOOR PEDAL

REF.NO.	PART NO.	DESCRIPTION	Q.T.Y
1	F0801	GLEDE HEAD DICORATE ASSY	1
2	F0802	FRONT ASSY OF FRONT FENDER	1
3	F0803	REAR ASSY OF FRONT FENDER	1
4	F0804	FRONT PLATE DICORATE PLATE	2
5	F0805	FRONT PLATE	1
6	F0806	FRONT ASSY OF UPPER PROTECT PLATE	1
7	F0807	REAR ASSY OF UPPER PROTECT PLATE	1
8	F0808	UPPER ASSY OF FRONT PROTECT PLATE	1
9	F0809	LOWER ASSY OF FRONT PROTECT PLATE	1
10	F0810	VIN NO. PLATE	1
11	F0811	RUBBER OF FOOTPLATE	1
12	F0812	SPARK PLUG COVER PLATE	1
13	F0813	BOTTOM PLATE OF PEDAL	1
14	F0814	PLATE INSIDE SPARK PLUG	1



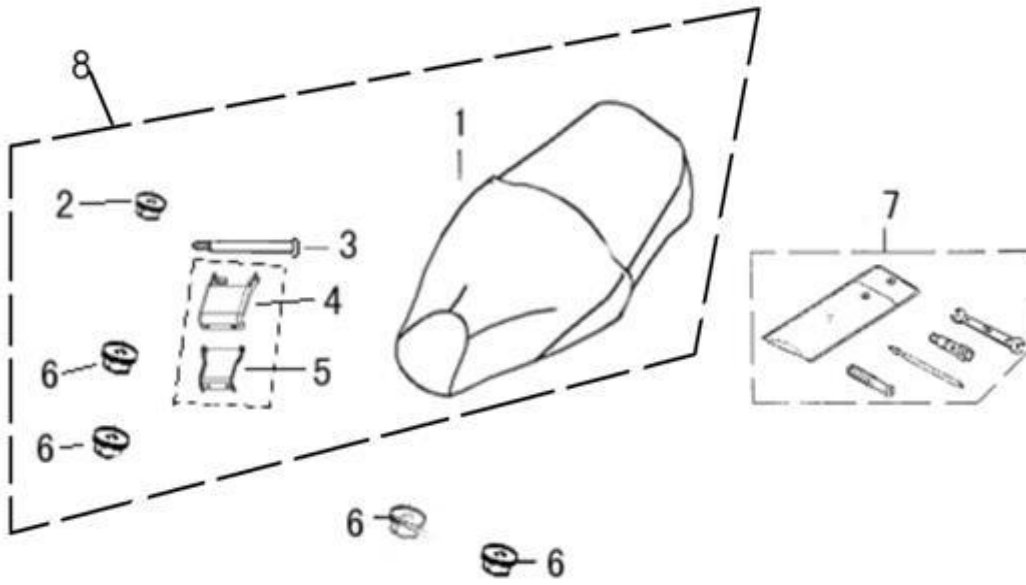
F-08 FRONT FENDER·FRONT COVER·FLOOR PEDAL

REF.NO.	PART NO.	DESCRIPTION	Q.T.Y
15	F0815	FASTNESS BRACKET OF INSIDE PLATE	1
16	F0816	PROTECT PLATE RH	1
17	F0817	PROTECT PLATE LH	1
18	F0818	LOWER FENDER	1
19	F0819	JOIN PLATE RH	1
20	F0820	JOIN PLATE LH	1
21	F0821	BOLT ST4.2×13	8
22	F0822	BOLT ST3.9×13	23
23	F0823	CROSS BIG FLAT SCREW M6×14	4
24	F0824	CROSS BIG FLAT SCREW M6×12	1
25	F0825	CROSS BIG FLAT SCREW M6×20	4
26	F0826	CARD	8
27	F0827	POSITION LAMP SWITCH	1
28	F0828	CROSS BIG FLAT SCREW M6×16	1



F-08 FRONT FENDER·FRONT COVER·FLOOR PEDAL

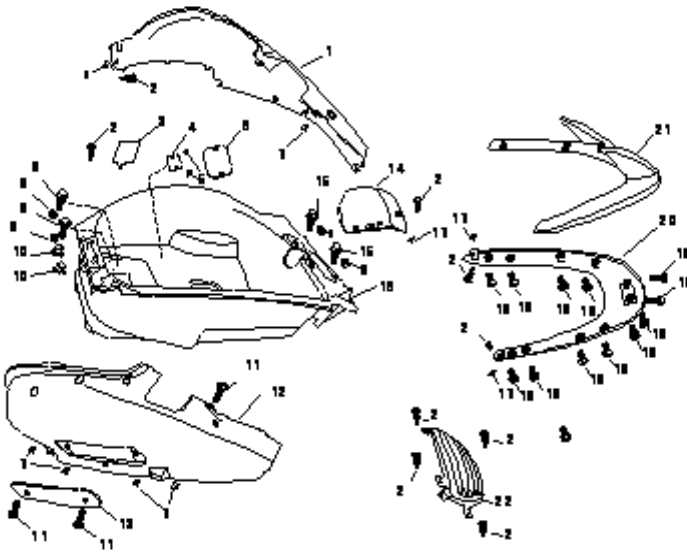
REF.NO.	PART NO.	DESCRIPTION	Q.T.Y
29	F0829	WASHER4	8
30	F0830	BOLT ST3.9×9.5	4
31	F0831	SIX CORNERS SCREW M6×25	4
32	F0832	SIX CORNERS SCREW M6×12	4
33	F0833	WASHER6	4
34	F0834	SHEATH OF INDICATOR LAMP	4



F-09 SEAT

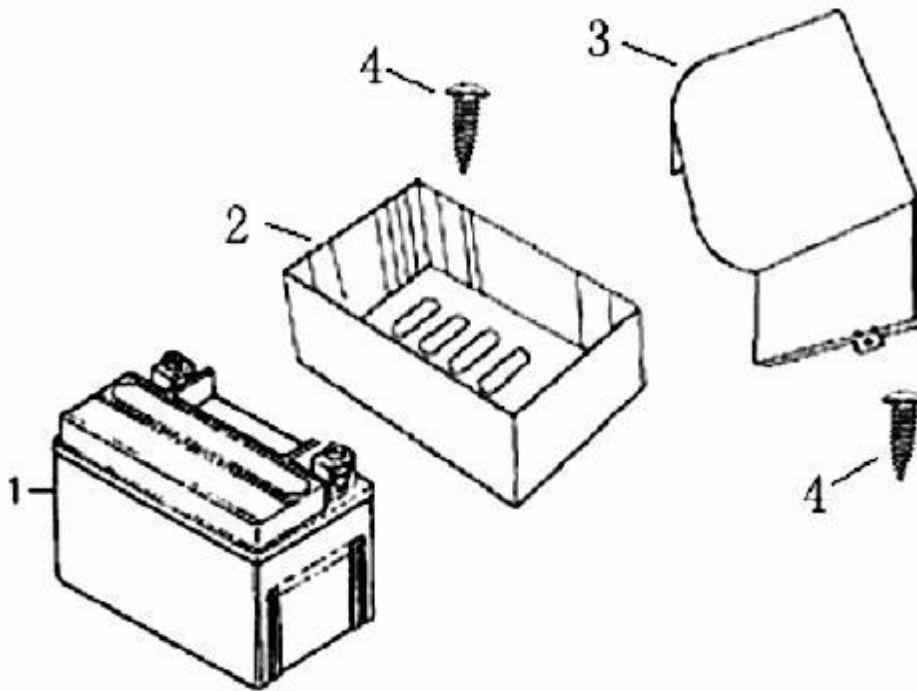
REF.NO.	PART NO.	DESCRIPTION	Q.T.Y
1	F0901	SEAT CUSHION	1
2	F0902	SCREW M6	1
3	F0903	AXES	1
4	F0904	INSTALL BRACKET ON THE SEAT CUSHION	1
5	F0905	INSTALL BRACKET BELOW THE SEAT CUSHION	1
6	F0906	SIX CORNERS SCREW M6(LOCK ITSELF INSIDE)	4
7	F0907	TOOL BOX	1
8	F0908	SEATS	1





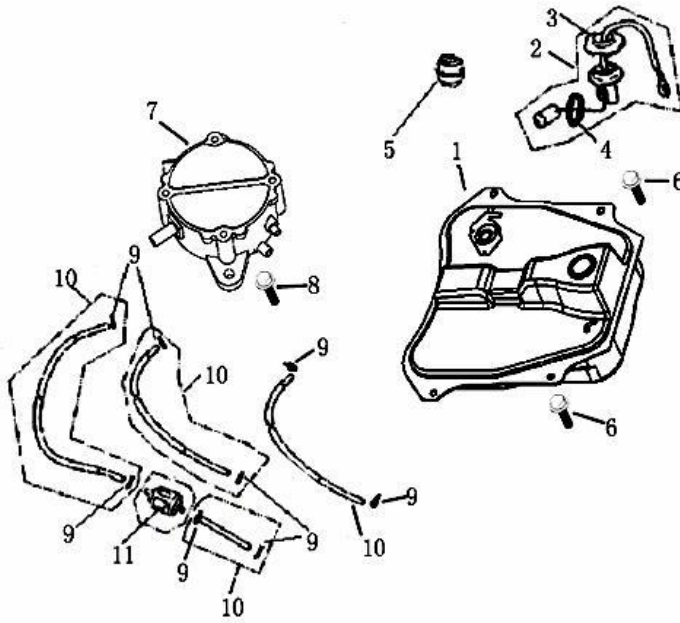
F-10 Body Cover Luggage Box

REF.NO.	PART NO.	DESCRIPTION	Q.T.Y
1	F1001	PROTECT BODY SHEATH (RIGHT)	1
2	F1002	BOLT ST4.2×13	9
3	F1003	INSIDE COVER OF LUGGAGE BOX A	1
4	F1004	VIN NO.BRAND	1
5	F1005	BOLT	2
6	F1006	INSIDE COVER OF LUGGAGE BOX B	1
7	F1007	SPLINT SCREW M6	6
8	F1008	SIX CORNERS SCREW M6×25	2
9	F1009	SMOOTH WASHER 6	4
10	F1010	SCREW M6	2
11	F1011	CROSS DISH SCREW M6×20	3
12	F1012	PROTECT BODY SHEATH LH	1
13	F1013	SMALL COVER PLATE OF PROTECT BODY SHEATH	1
14	F1014	COVER PLATE OF BATTERY	1
15	F1015	SCREW M6×20	2
16	F1016	LUGGAGE BOX	1
17	F1017	CARD	3
18	F1018	CROSS DISH SCREW M6×12	10
19	F1019	SCREW M6×20	2
20	F1020	LOWER DECORATE PLATE	1
21	F1021	UPPER DECORATE PLATE	1
22	F1022	AIRINESS COVER	1



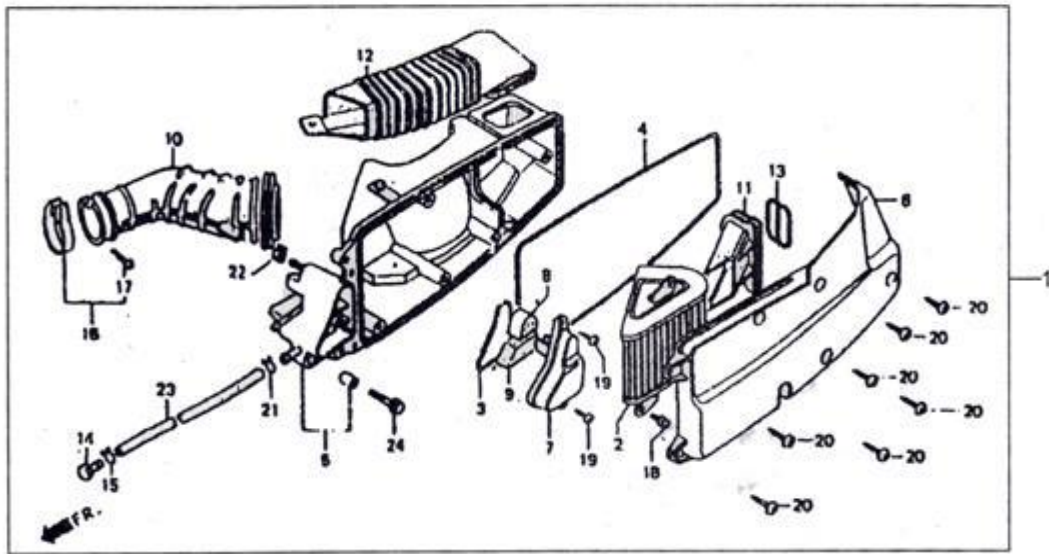
F-11 BATTERY

REF.NO.	PART NO.	DESCRIPTION	Q.T.Y
1	F1101	BATTERY	1
2	F1102	BATTERY BOX	1
3	F1103	BATTERY COVER	1
4	F1104	BOLT ST3.9×12	2



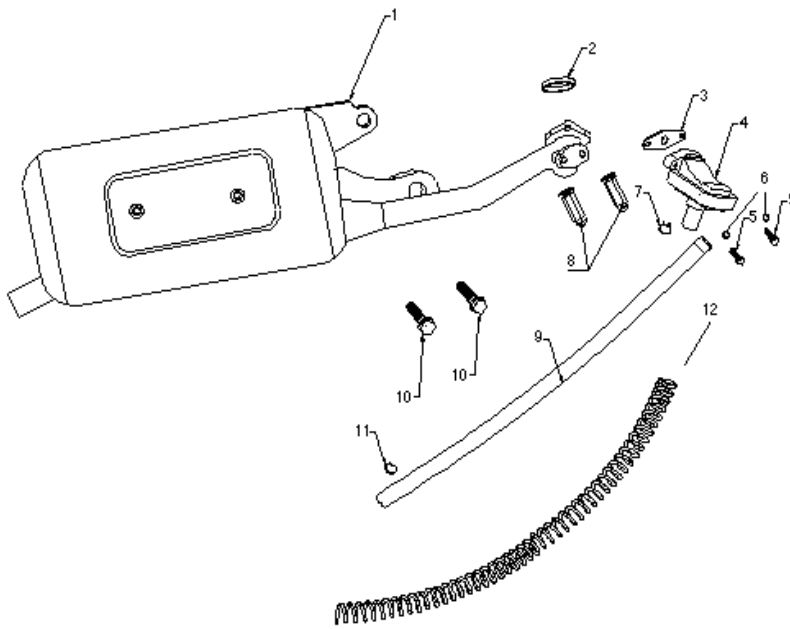
F-12 Fuel Tank

REF.NO.	PART NO.	DESCRIPTION	Q.T.Y
1	F1201	PARTS FOR FUEL TANK JOINTING	1
2	F1202	SENSOR	1
3	F1203	PRESS PIECE OF SENSOR	1
4	F1204	SEAL WASHER	1
5	F1205	FUEL TANK COVER	1
6	F1206	SIX CORNERS SCREW M6X16	2
7	F1207	OIL PUMP	1
8	F1208	SIX CORNERS SCREW M6X12	1
9	F1209	RING	8
10	F1210	OIL TUBE	4
11	F1211	OIL FILTER	1



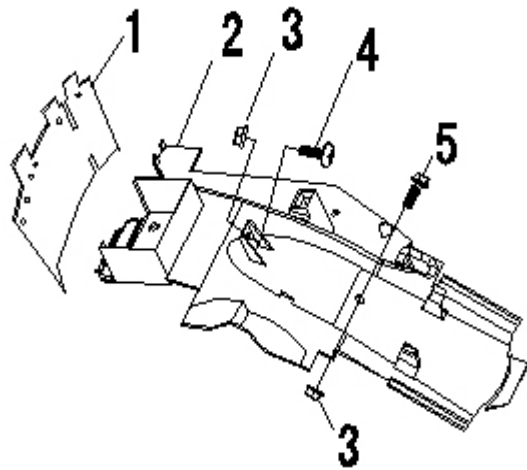
F-13 AIR CLEANER

REF.NO.	PART NO.	DESCRIPTION	Q.T.Y
1	F1301	ASSEMBLED AIR CLEANER	1
2	F1302	AIR CLEANER CORE	1
3	F1303	OIL FILTER SEAL	1
4	F1304	SEAL WASHER OF AIR CLEANER COVER	1
5	F1305	SHEATH OF AIR CLEANER	1
6	F1306	COVER OF AIR CLEANER	1
7	F1307	OIL FILTER COVER	1
8	F1308	AIR CLEANER FOAM	1
9	F1309	OIL FILTER FOAM	1
10	F1310	AIR OUT TUBE	1
11	F1311	AIR PASS TUBE	1
12	F1312	AIR IN TUBE	1
13	F1313	SEALED WASHER OF AIR IN TUBE	1
14	F1314	TUBE PLUG	1
15	F1315	RING	1
16	F1316	HOOP	1
17	F1317	BOLT M4×25	1
18	F1318	SCREW M5×10	1
19	F1319	BOLT ST3.9×13	2
20	F1320	BOLT ST4.2×19	7
21	F1321	RING	1
22	F1322	RING	1
23	F1323	OIL TUBE	1
24	F1324	SCREW M6×30	2



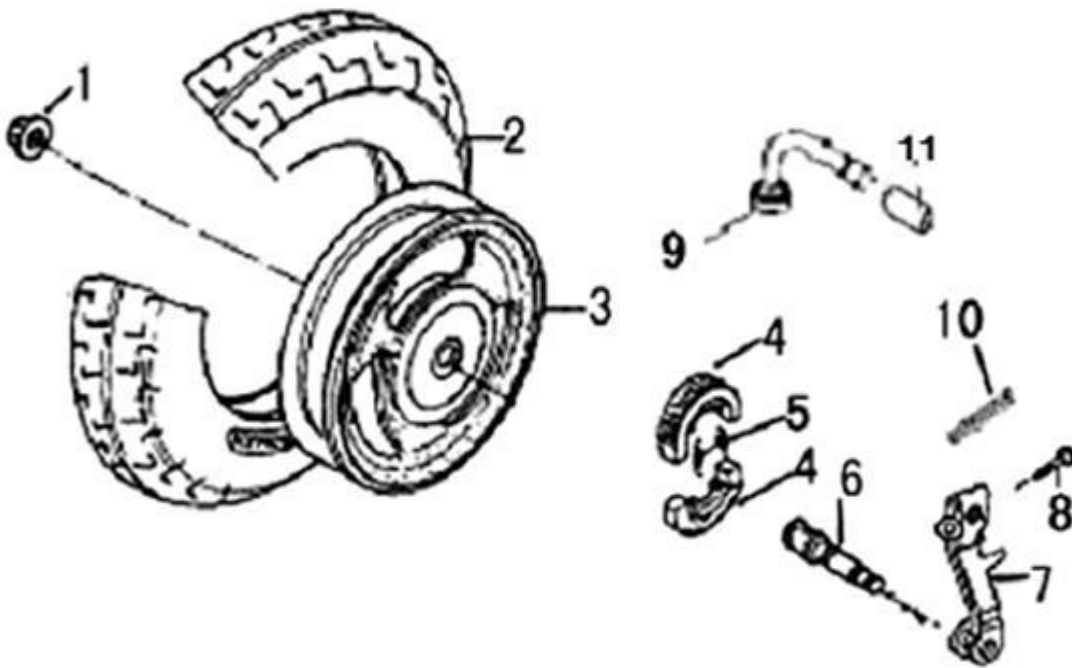
F-14 EXHAUST MUFFLER

REF.NO.	PART NO.	DESCRIPTION	Q.T.Y
1	F1401	JOINTING ASSEMBLED OF MUFFLER	1
2	F1402	PURPLE CUPRUM WASHER	1
3	F1403	SEALED WASHER	1
4	F1404	TWICE AIR SUPPLY VALVE	1
5	F1405	SIX CORNERS SCREW M6X16	2
6	F1406	RING $\varnothing$ 12	1
7	F1407	SIX CORNERS SCREW M8X40	2
8	F1408	SCREW M6	2
9	F1409	TWICE AIR IN TUBE	1
10	F1410	RING $\varnothing$ 10	1
11	F1411	DECORATE SPRING	1
12	F1412	SPRING WASHER	2



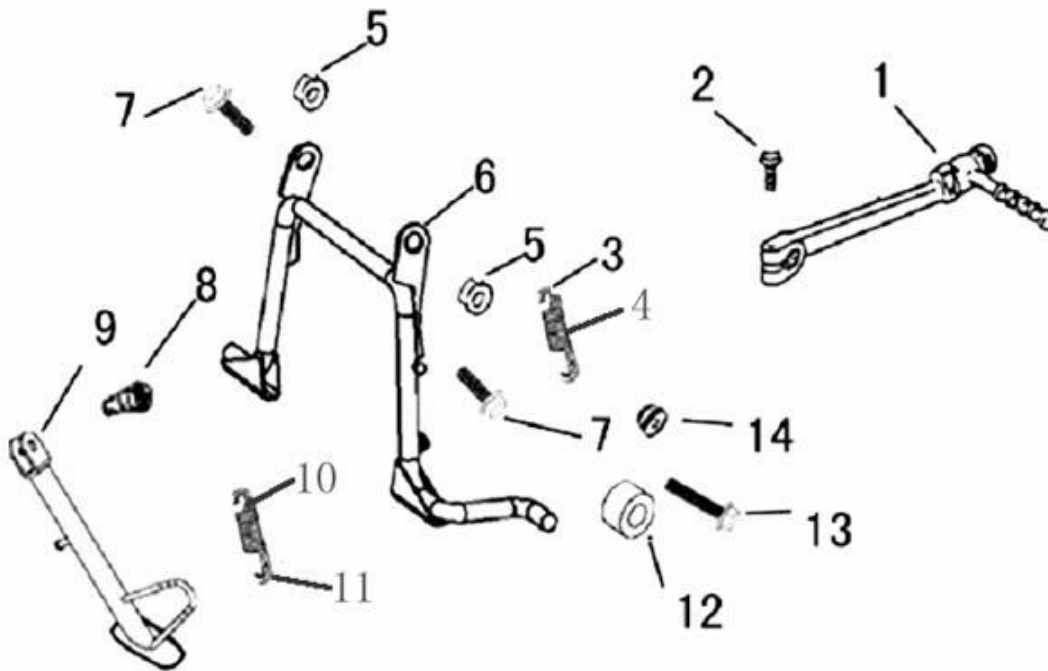
F-15 REAR FENDER

REF.NO.	PART NO.	DESCRIPTION	Q.T.Y
1	F1501	RUBBER PIECE OF FENDER	1
2	F1502	REAR FENDER	1
3	F1503	SIX CORNERS SCREW M6	2
4	F1504	CROSS DISH SCREW M6X15	1
5	F1505	SIX CORNERS SCREW M6 X12	1



F-16 REAR WHEEL

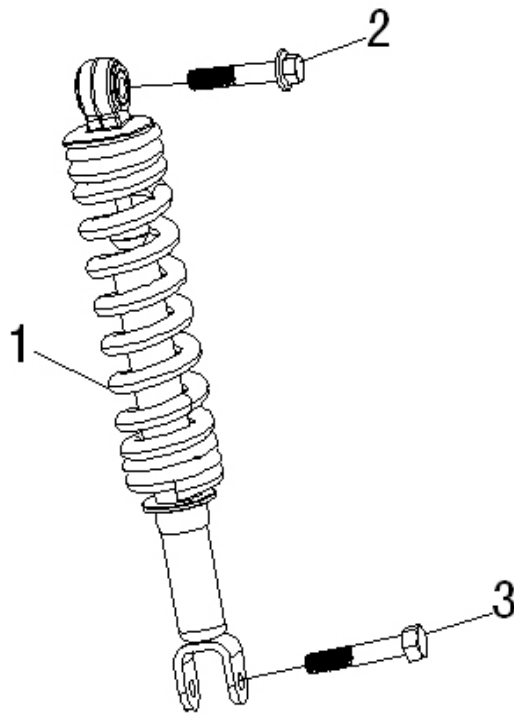
REF.NO.	PART NO.	DESCRIPTION	Q.T.Y
1	F1601	SCREW M16	1
2	F1602	TYRE3.5-10	1
3	F1603	REAR WHEEL AXES	1
4	F1604	MOVING HOOF PIECE	2
5	F1605	SPRING	2
6	F1606	WHEEL AXES OF REAR MOVING	1
7	F1607	ROCKING ARM OF REAR MOVING	1
8	F1608	SCREW M6×35	1
9	F1609	MOUTH OF AIR DOOR	1
10	F1610	SPRING	1
11	F1611	SHEATH OF AIR DOOR	1



F-17 MAIN STAND ASSY..SIDE STAND ASSY.

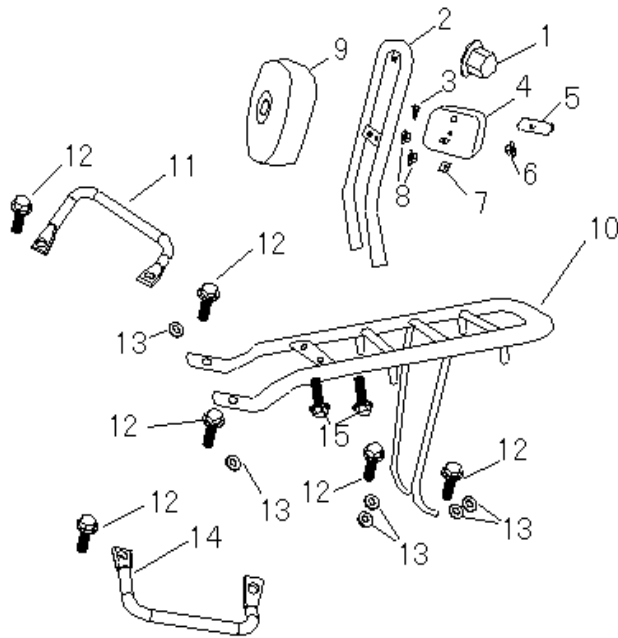
REF.NO.	PART NO.	DESCRIPTION	Q.T.Y
1	F1701	MOVING POLE OF ENGINE	1
2	F1702	SIX CORNER SCREW M6×25	1
3	F1703	INSIDE SPRING OF MAIN SUPPORT	1
4	F1704	OUTSIDE SPRING OF MAIN SUPPORT	1
5	F1705	BUSH	2
6	F1706	MAIN SUPPORT	1
7	F1707	SCREW M10×25	2
8	F1708	SCREW OF SINGLE SUPPORT	1
9	F1709	SINGER SUPPORTER	1
10	F1710	INSIDE SPRING OF SINGLE SUPPORT	1
11	F1711	OUTSIDE SPRING OF SINGLE SUPPORT	1
12	F1712	DELAYING RUBBER PIECE	1
13	F1713	SIX CORNERS SCREW M6×25	1
14	F1714	SIX CORNERS SCREW M6	1





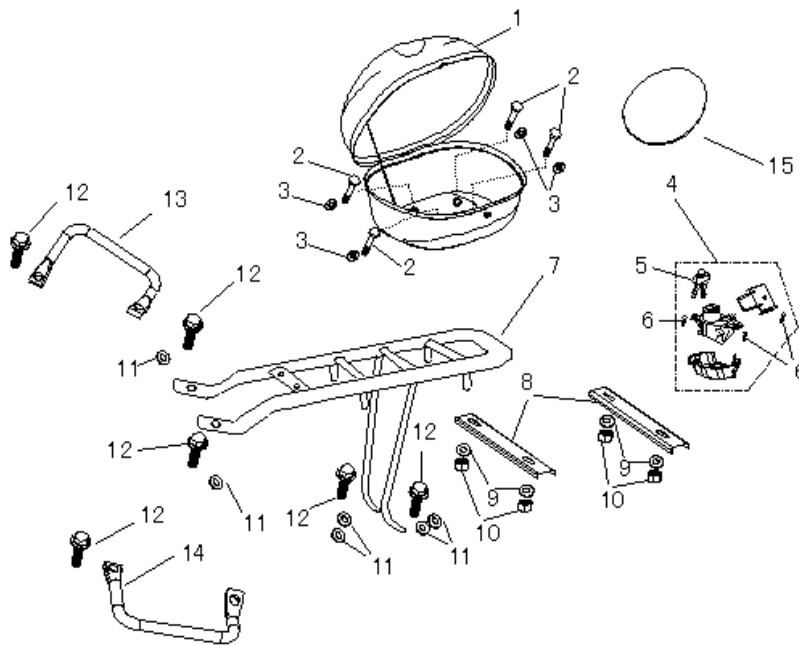
F-18 REAR SHOCK ABSORBER

REF.NO.	PART NO.	DESCRIPTION	Q.T.Y
1	F1801	ASSEMBLED OF REAR SHOCK ABSORBER	1
2	F1802	SIX CORNERS SCREW M10X45	1
3	F1803	SIX CORNERS SCREW M10X45	1



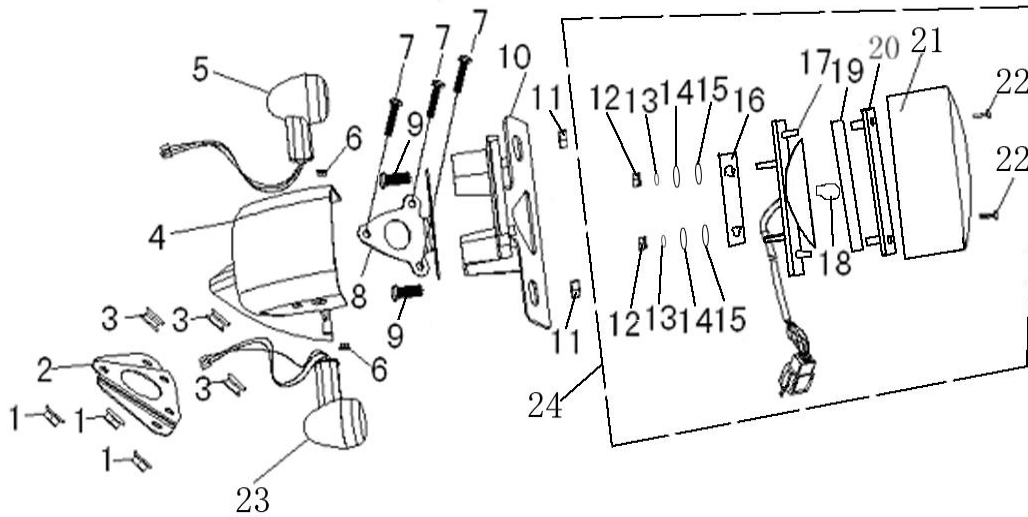
F-19 REAR CARRIER (A)

REF.NO.	PART NO.	DESCRIPTION	Q.T.Y
1	F19A01	SCREW M6	1
2	F19A02	BACK SUPPORT	1
3	F19A03	BOLT ST4.2×16	1
4	F19A04	REAR REFLECTER BRACKET	1
5	F19A05	REAR REFECTER	1
6	F19A06	SIX CORNERS SCREW M5	1
7	F19A07	CARD	1
8	F19A08	SIX CORNERS SCREW M6	2
9	F19A09	BACK CUSHION	1
10	F19A10	REAR LUGGAGE BRACKET	1
11	F19A11	RIGHT ARMREST	1
12	F19A12	SIX CORNERS SCR W M6×20	6
13	F19A13	SMOOTH CUSHION6	6
14	F19A14	LEFT ARMREST	1
15	F19A15	SIX CORNERS SCREW M8×16	2



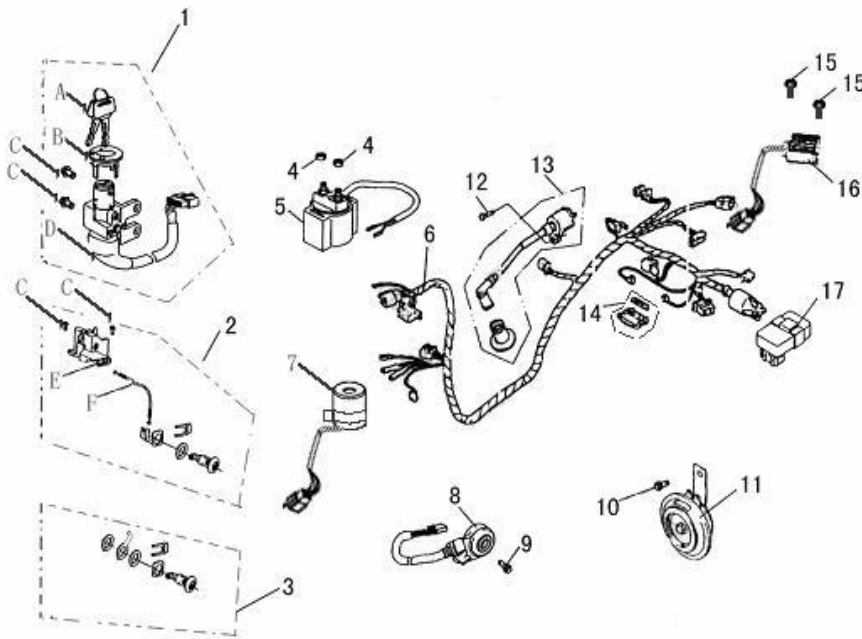
F-19 REAR CARRIER (B)

REF.NO.	PART NO.	DESCRIPTION	Q.T.Y
1	F19B01	REAR LUGGAGE BOX	1
2	F19B02	SCREW M8X35	4
3	F19B03	WASHER PIECE	4
4	F19B04	ASSEMBLED KEY OF REAR CARRIER	1
5	F19B05	KEY	2
6	F19B06	SCREW M6X20	3
7	F19B07	REAR LUGGAGE BRACKET	1
8	F19B08	INSTALL PLATE OF LUGGAGE BOX	2
9	F19B09	SMOOTH CUSHION8	4
10	F19B10	SCREW M8	4
11	F19B11	SMOOTH CUSHION8	6
12	F19B12	SIX CORNERS SCREW M6×20	6
13	F19B13	RIGHT ARMREST	1
14	F19B14	LEFT ARMREST	1
15	F19B15	RUBBER CUSHION	1



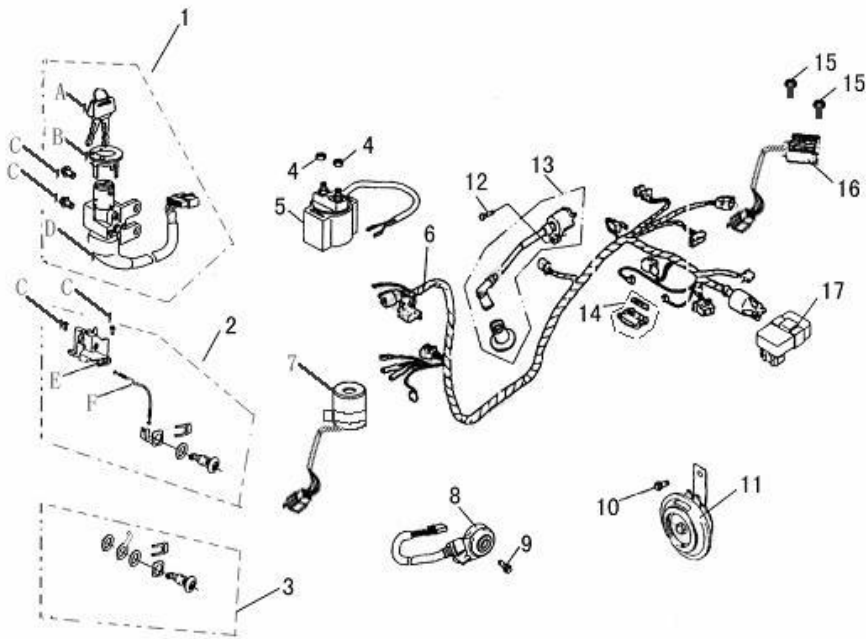
F-20 REAR LIGHT ASSY.

REF.NO.	PART NO.	DESCRIPTION	Q.T.Y
1	F2001	SIX CORNERS SCREW M6	3
2	F2002	FASTNESS PLATE OF REAR TAIL LAMP	1
3	F2003	RUBBER SHEATH	3
4	F2004	FASTNESS RUBBER OF REAR TAIL LAMP	1
5	F2005	REAR DIRCETION LAMP RH	1
6	F2006	SIX CORNERS SCREW M5	2
7	F2007	SCREW M6X30	3
8	F2008	SUPPORT PIECE	1
9	F2009	SCREWM6×16	2
10	F2010	REAR BRAND BRACKET	1
11	F2011	NUT M6	2
12	F2012	NUTM5	2
13	F2013	WASHER 5	2
14	F2014	GASKET	2
15	F2015	WASHER	2
16	F2016	WASHER	1
17	F2017	SOCKET,TAIL LIGHT	1
18	F2018	BULB	1
19	F2019	GASKET,LAMPSHADE	1
20	F2020	INNER LAMPSHADE,TAIL LIGHT	1
21	F2021	OUTER LAMPSHADE,TAIL LIGHT	1
22	F2022	SCREWST4.2×24	2
23	F2023	REAR DIRECTION LAMP LH	1
24	F2024	TAIL LIGHT	1



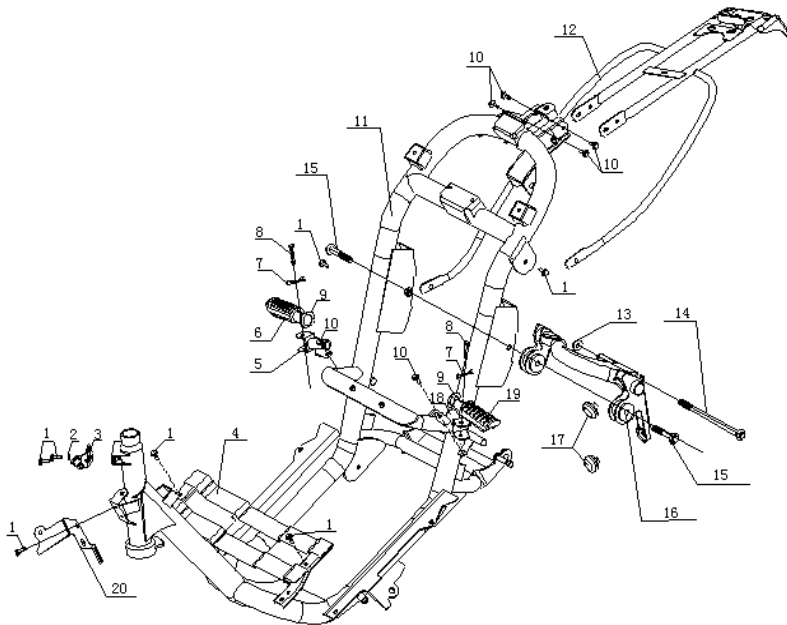
F-21 WIRE HARNESS

REF.NO.	PART NO.	DESCRIPTION	Q.T.Y
1	F2101	ASSEMBLED OF IGNITION SWITCH KEY	1
A	F21A	KEY	2
B	F21B	LOCK COVER	1
C	F21C	SIX CORNERS SCREW M6X12	4
D	F21D	LOCK	1
2	F2102	ASSEMBLED OF SEAT LOCKS	1
E	F21E	LOCK OF SEAT LOCK	1
F	F21F	PULL CABLE OF SEAT	1
3	F2103	COVER PLATE LOCK OF FUEL TANK	1
4	F2104	SCREW M6	2
5	F2105	MOVING RELAY	1
6	F2106	ASSEMBLED OF CABLES	1
7	F2107	FLASHER	1
8	F2108	ASSEMBLED OF FLAMEOUT SWITCH	1
9	F2109	CROSS THROUGH FLAT SCREW M6X12	1
10	F2110	SIX CORNERS SCREW M6X12	2
11	F2111	HORN	1
12	F2112	CROSS THROUGH ROUND HEAD SCREW M5X25	1
13	F2113	ASSEMBLED OF IGNITION CABLE	1



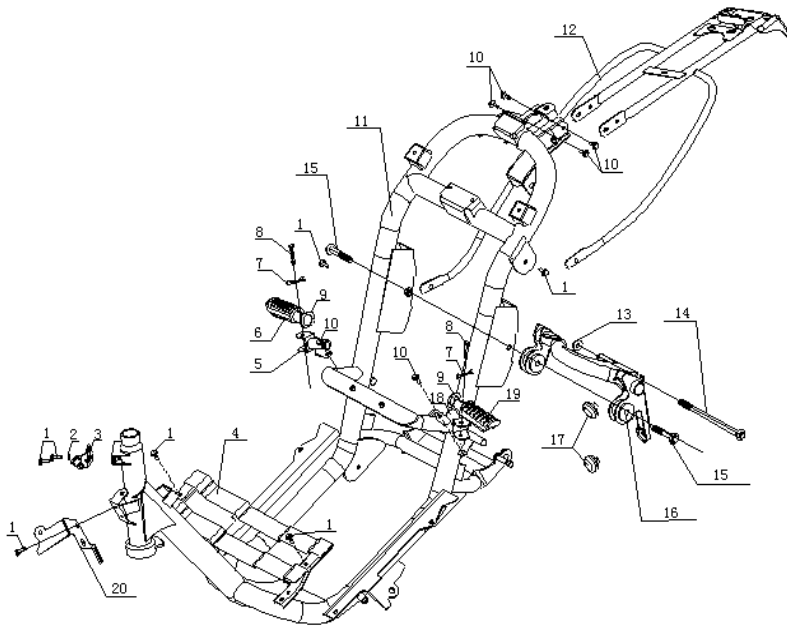
F-21 WIRE HARNESS

REF.NO.	PART NO.	DESCRIPTION	Q.T.Y
14	F2114	FUSE	1
15	F2115	SCREW M6×12	1
16	F2116	COMMUTATE ADJUST ASSY	1
17	F2117	IGNITION SYSTEM	1



F-22 FRAME BODY

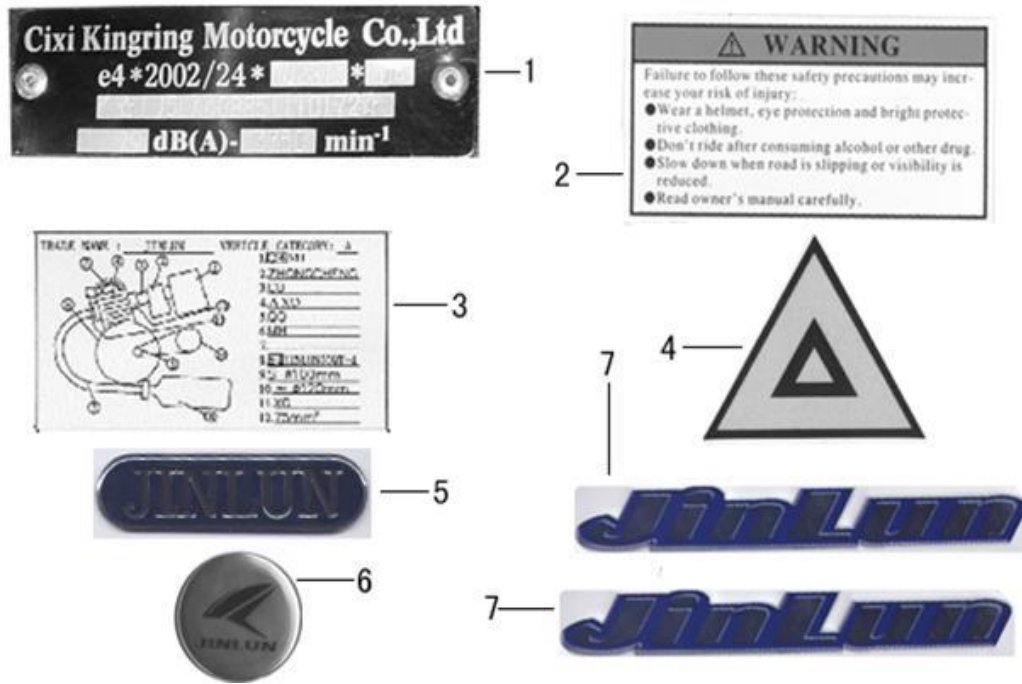
REF.NO.	PART NO.	DESCRIPTION	Q.T.Y
1	F2201	SIX CORNERS SCREW M6×12	7
2	F2202	CUSHION6	1
3	F2203	BRACKET OF FRONT PLATE	1
4	F2204	BRACKET OF FOOTPLATE	1
5	F2205	REAR BRACKET FOR PUTTING FOOT RH	1
6	F2206	REAR SYSTEM FOR PUTTING FOOT RH	1
7	F2207	PIN	2
8	F2208	PIN AXES 2×22	2
9	F2209	CUSHION20	2
10	F2210	SIX CORNERS SCREWM6×16	6
11	F2211	PARTS FOR SHELF JOINTING	1
12	F2212	REAR TAIL SHELF	1
13	F2213	SIX CORNERS SCREW M10	1
14	F2214	AXES M10×185	1



F-22 FRAME BODY

REF.NO.	PART NO.	DESCRIPTION	Q.T.Y
15	F2215	SIX CORNERS SCREW M10×60	2
16	F2216	HANG BRACKET FOR MOTIVITY	1
17	F2217	DELAY RUBBER	2
18	F2218	REAR BRACKET FOR PUTTING FOOT LH	1
19	F2219	REAR SYSTEM FOR PUTTING FOOT LH	1
20	F2220	HORN BRACKET	1





F-23 Mark

REF.NO.	PART NO.	DESCRIPTION	CHINESE
1	F2301		车架铭牌
2	F2302		警告标贴
3	F2303		防改装标贴
4	F2304		后泥板警告标贴
5	F2305		后靠背标贴
6	F2306		后货箱标贴
7	F2307		侧盖标贴 I