

JL50QT-5 PARTS EXPLODE DRAWING

Edition No.: 01 , Year: 2007



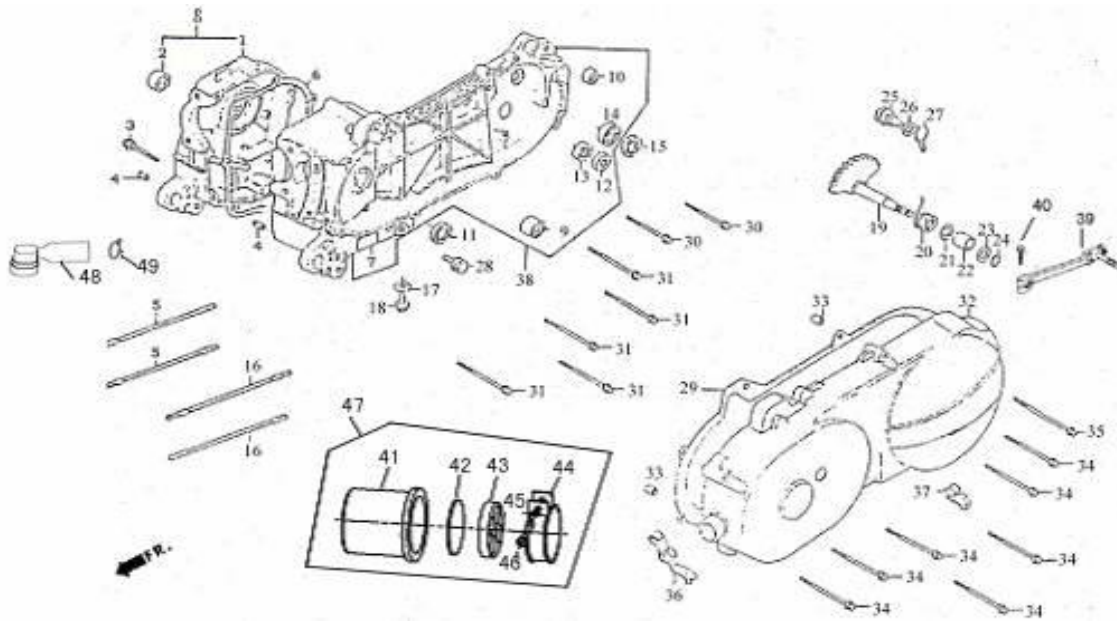
CIXI KINGRING MOTORCYCLE CO.,LTD.

INDEX

PAGE 1 OF 79

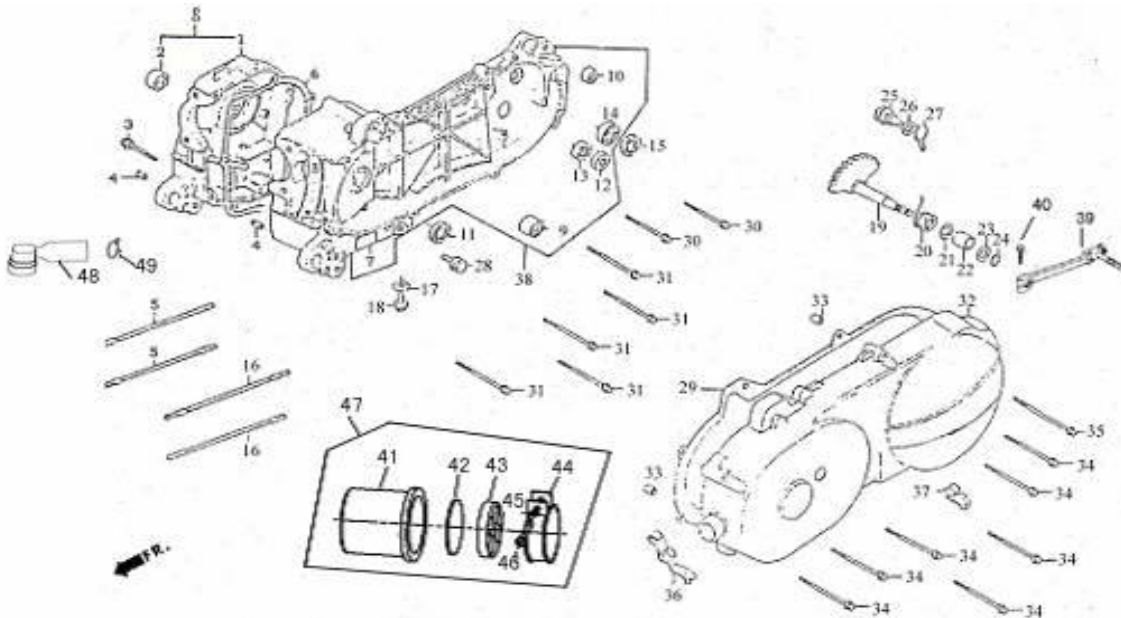
E-01 CRANK CASE.....1

E-02	CYLINDER HEAD COVER·CYLINDER HEAD	3
E-03	CYLINDER·CRANK CASE·PISTON	5
E-04	RIGHT CRANKCASE COVER	6
E-05	CARBURETOR	7
E-06	DRIVEN PULLEY	9
E-07	STARTINT MOTOR·OIL PUMP	11
E-08	FAN COVER·GENERATOR	12
E-09	TRANSMISSION.....	13
F-01	HEAD LIGHT	14
F-02	FRONT WINKER&FIND LAMP ASSY.....	15
F-03	METER ASSY.....	16
F-04	OPERATING SYSTEM(DISK BRAKE).....	17
F-05	FRONT FORT.....	19
F-6	FRONT WHEEL.....	20
F-7	FRONT COVER·FLOOR PEDAL.....	21
F-8	SEAT.....	22
F-9	BODY COVER·LUGGAGE BOX	23
F-10	FUEL TANK	24
F-11	AIR CLEAR.....	25
F-12	EXHAUST MUFFLER.....	26
F-13	REAR WHEEL.....	27
F-14	MAIN STAND ASSY&SIDE STAND ASSY.....	28
F-15	REAR SHOCK ABSORBER	29
F-16	REAR LIGHT ASSY.&REAR FENDER ASSY.....	30
F-17	WIRE HARNESS.....	31
F-18	FRAME BODY	33
F-19	CARRIER BOX.....	34
F-20	MARK.....	35



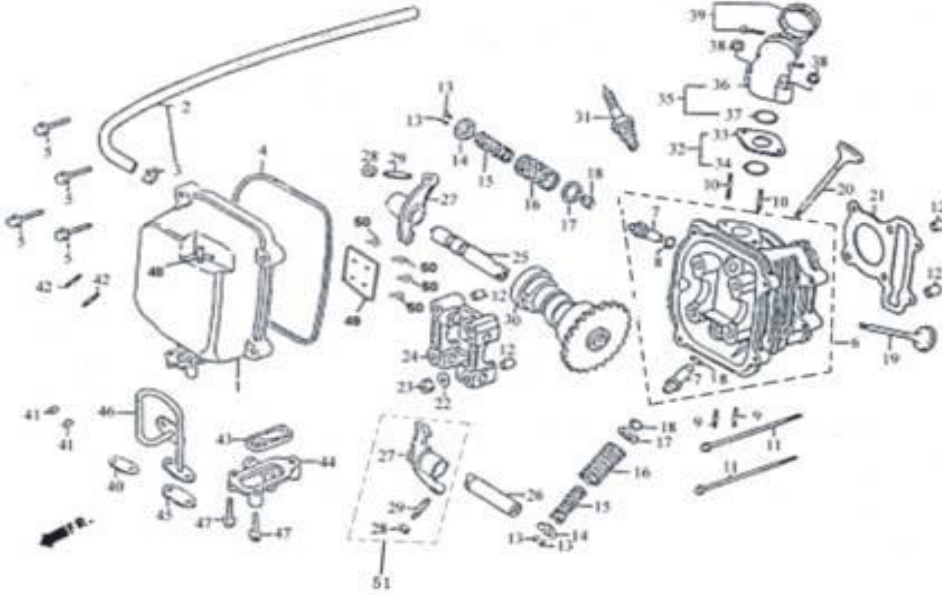
E-01 Crank case

REF.NO.	PART NO.	DESCRIPTION	Q.T.Y	
1	E0101	CRANK CASE COMP RIGHT	10	
2	E0102	RUB BUSH ENG HANGER	1	
3	E0103	BOLT FLANGE SH M6×45	1	
4	E0104	DOWEL PIN M8×14	2	
5	E0105	BOLT STUD M7×168	2	
6	E0106	GASTER CRANK CASE	1	
7	E0107	CRANK CASE CIMP LEFT	1	
8	E0108	CASE SET R CRANK	1	
9	E0109	RUB BUSH ENG HANGER	1	
10	E0110	UNDER RUBBER BUSH RR CUSHION	1	
11	E0111	OIL SEAL 19.8×30×5	1	
12	E0112	BEARING BALL RADIAL 6203	1	
13	E0113	BRG BALL RADIAL 6201	1	
14	E0114	BRG BALL RADIAL 6203	1	
15	E0115	OIL SEAL 17×30×6	1	
16	E0116	BOLT STUD 7×176	2	
17	E0117	WASHER 8	1	
18	E0118	BOLT OIL DRAIN	1	
19	E0119	SPINDLE COMP KICK STARTER	1	
20	E0120	SPRING KICK RETURN	1	
21	E0121	COLLAR KICK BOSS	1	
22	E0122	BUSH KICK SPINDLE	1	
23	E0123	WASHER KICK SPINDLE	1	
24	E0124	CIRCLIP EX 14	1	



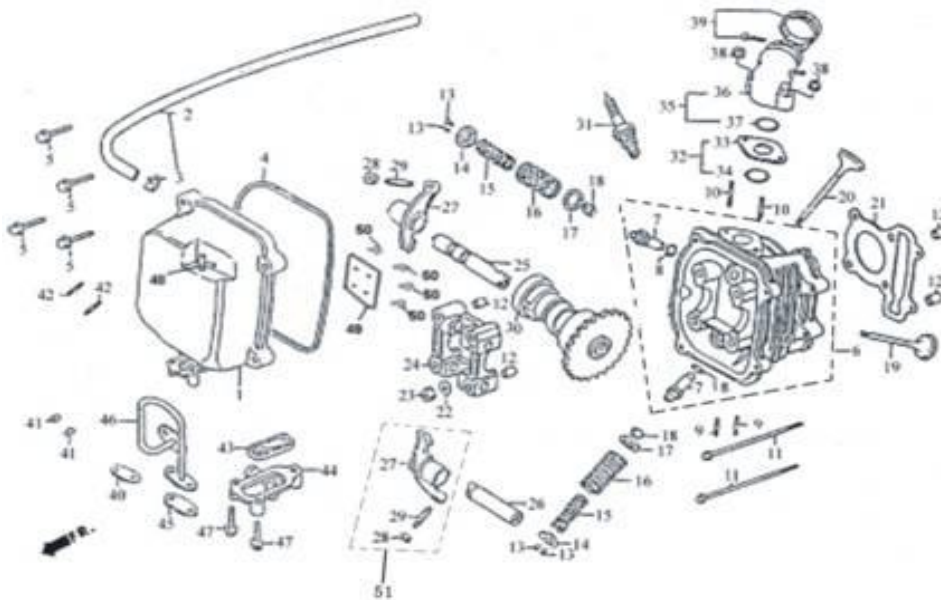
E-01 Crank case

REF.NO.	PART NO.	DESCRIPTION	Q.T.Y	
25	E0125	GEAR COMP KICK DRIVEN	1	
26	E0126	WASHER THRUST 10	1	
27	E0127	SPG KICK DRIVEN GEAR	1	
28	E0128	BOLT ASSY DRAIN PLUG	1	
29	E0129	GASKET, COVER COMP L SIDE	1	
30	E0130	BOLT FLANGE 8×35	2	
31	E0131	BOLT FLANGE 8×40	5	
32	E0132	COVER COMP L SIDE	1	
33	E0133	DOWEL PIN 8×14	2	
34	E0134	BOLT FLANGE 6×35	7	
35	E0135	BOLT SPECIAL 8	1	
36	E0136	CLAMPER THROTTLE CABLE	1	
37	E0137	CLAMPER BRAKE CABLE	1	
38	E0138	CRANK CASE SETL	1	
39	E0139	KICK STARTER	1	
40	E0140	NUT M6×25	1	
41	E0141	RUBBER CAP	1	
42	E0142	SPONGE	1	
43	E0143	RUBBER PLATE	1	
44	E0144	CLIP	1	
45	E0145	WASHER	1	
46	E0146	BOLT M4X35	1	
47	E0147	INLET AIR CLEANER ASSY.	1	
48	E0148	FILTER	1	
49	E0149	CLIP	1	



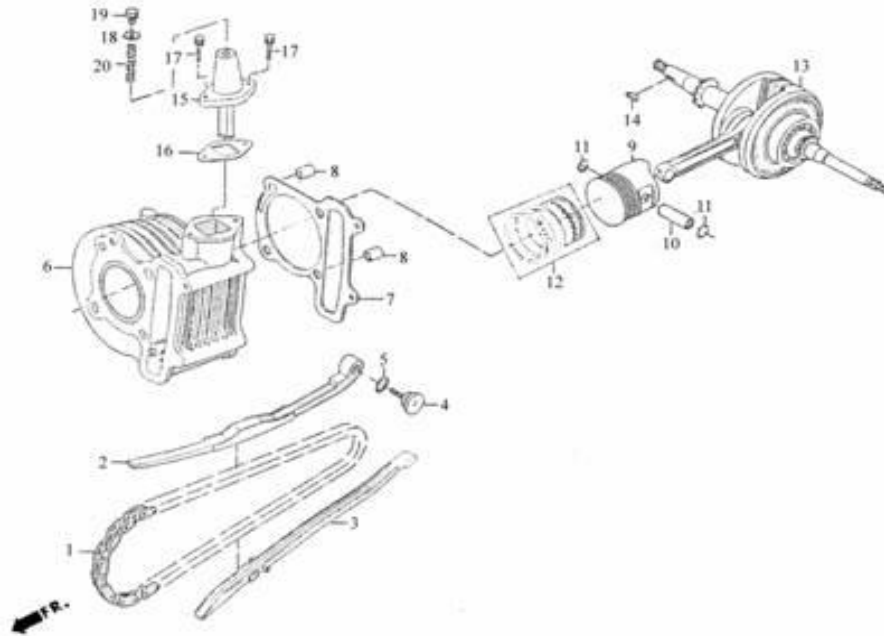
E-02 Cylinder Head Cover-Cylinder Head

REF.NO.	PART NO.	DESCRIPTION	Q.T.Y	
1	E0201	COVER COMP HEAD	1	
2	E0202	TUBE BREATHER	1	
3	E0203	CLIP B8 TUBE	1	
4	E0204	GASKET HEAD COVER	1	
5	E0205	BOLT FLANGE SH 6X25	4	
6	E0206	HEAD COMP CYLN	10	
7	E0207	GUIDE VALVE	2	
8	E0208	O-RING 9X1.6	2	
9	E0209	BOLT STUD 6X32	2	
10	E0210	BOLT STUD II 6X50	2	
11	E0211	BOLT FLANGE 6X85	2	
12	E0212	PIN DOWEL SPECIAL 8X14	4	
13	E0213	COTTER VALVE	4	
14	E0214	RETAINER VALVE SPRING	2	
15	E0215	SPG VALVE INNER	2	
16	E0216	SPRING VALVE OUTER	2	
17	E0217	SEAT VALVE SPG OUTER	2	
18	E0218	SEAT VALVE STEM	2	
19	E0219	VALVE EXHAUST	1	
20	E0220	VALVE INLET	1	
21	E0221	GASKET CYLINDER HEAD	1	
22	E0222	WASHER SERALING 7MM	4	
23	E0223	NUT FLANGE 7M/M	4	
24	E0224	HOLDER CAM SHAFT	1	
25	E0225	SHAFT COMP IN ROCKER ARM	1	



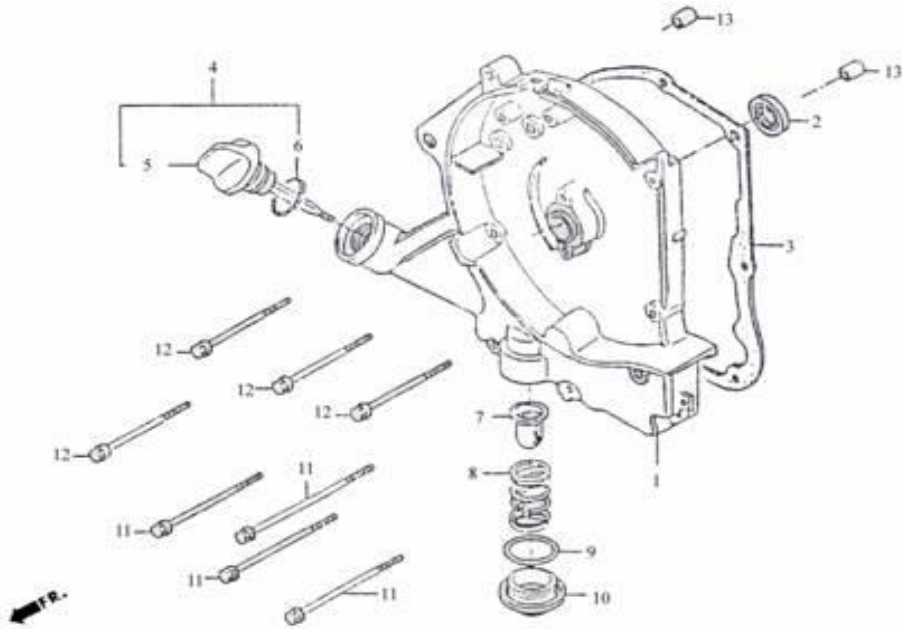
E-02 Cylinder Head Cover-Cylinder Head

REF.NO.	PART NO.	DESCRIPTION	Q.T.Y	
26	E0226	SHAFTXH ROCKER ARM	1	
27	E0227	ARM VALVE ROCKER	2	
28	E0228	NUT TAPPET ADJG	2	
29	E0229	SCREW TAPPET ADJUSTING	2	
30	E0230	SHAFT COMP CAM	1	
31	E0231	SPARK PLUG(C7HSA)	1	
32	E0232	INSULATOR CARB ASSY	1	
33	E0233	INSULATOR CARB	1	
34	E0234	O-RING 20.6X1.9	1	
35	E0235	PIPE ASSY INLET	1	
36	E0236	PIPE COMP INLET	1	
37	E0237	O-RING 20.6X1.9	1	
38	E0238	NUT FLANGE 6MM	2	
39	E0239	BAND INSULATOR	1	
40	E0240	GAKT A/PIPE	1	
41	E0241	NUT HEX CAP 6MM	2	
42	E0242	BOLT STUD 6X16	2	
43	E0243	REED VALVE COMP	1	
44	E0244	COVER REED VALVE	1	
45	E0245	GAKT A/I PIPE	1	
46	E0246	PIPE COMP AIR	1	
47	E0247	BOLT FLANGER 6X40	2	
48	E0248	METAL PIPE	1	
49	E0249	METAL PLATE	1	
50	E0250	BOLT M4X8	4	
51	E0251	VALVE ROCKER ASSY.		PAGE 6 OF 79 2



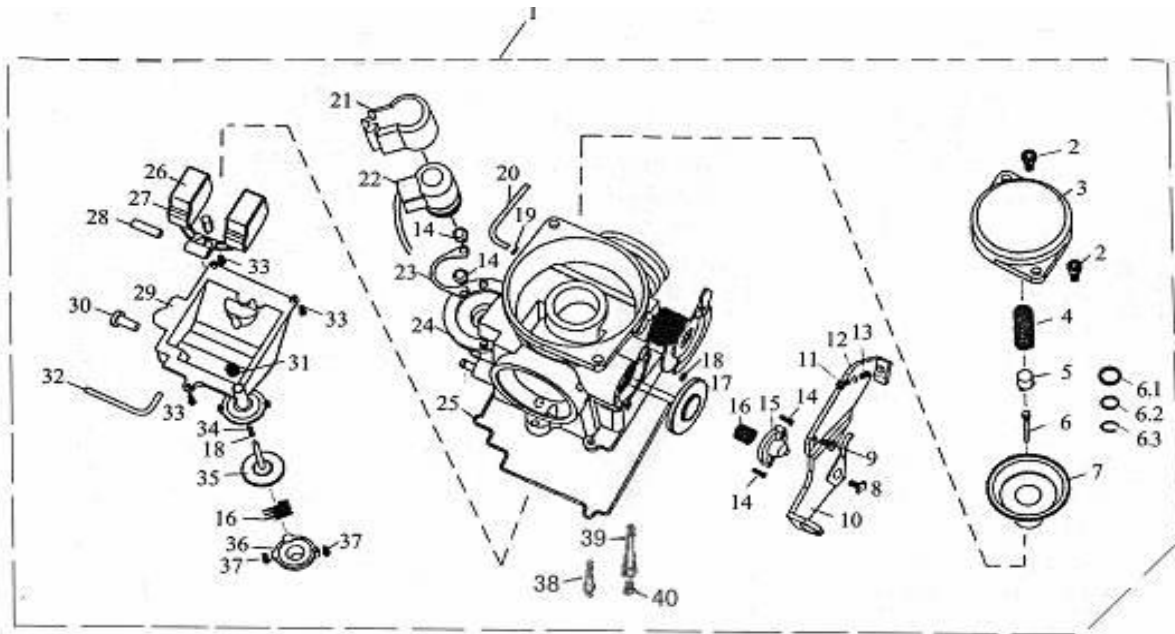
E-03 Cylinder-Crankcase-Piston

REF.NO.	PART NO.	DESCRIPTION	Q.T.Y	
1	E0301	CHAIN CAM	1	
2	E0302	TENSIONER CAM CHAIN	1	
3	E0303	GUIDE COMP CAM CHAIN	1	
4	E0304	PIVOT CAM CHAIN TENSIONER	1	
5	E0305	O-RING 15.5-1.5	1	
6	E0306	CYLINDER COMP	1	
7	E0307	GASKET CYLINDER	1	
8	E0308	PIN DOWEL SPECIAL 8X14	2	
9	E0309	PISTON	1	
10	E0310	PIN PISTON	1	
11	E0311	PISTON PIN CLIF	2	
12	E0312	RING SET PISTON	1	
13	E0313	CRANK SHAFT COMP	1	
14	.E0314	KEY WOODRUFF	1	
15	E0315	ADJUSTER CAM CHAIN	10	
16	E0316	GASKET CAM CHAIN	1	
17	E0317	BOLT FLANGE 6X18	2	
18	E0318	WASHER SEALING 8X16X1.6	1	
19	E0319	PLUG ADJUSTER	1	
20	E0320	SPRING CAM CHAIN ADJUSTER	1	



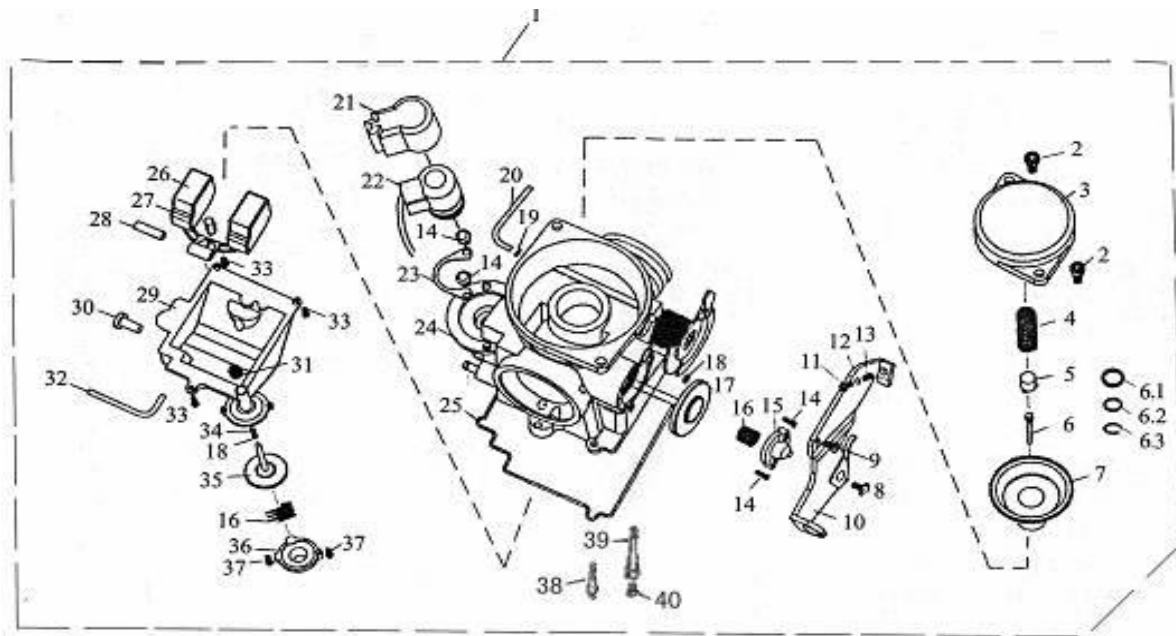
E-04 Right Crankcase Cover

REF.NO.	PART NO.	DESCRIPTION	Q.T.Y	
1	E0401	COVER R CRANK CASE	1	
2	E0402	OIL SEAL 16.4X30X5	1	
3	E0403	GASTER R COVER	1	
4	E0404	GAUGE OIL LEVEL ASSY	1	
5	E0405	GAUGE OIL LEVEL	1	
6	E0406	O-RING 18X3	1	
7	E0407	SCREEN OIL FILTER	1	
8	E0408	SPG OIL FILTER SCREEN	1	
9	E0409	O-RING 30X8M/M	1	
10	E0410	HOLE CAP TAPPET ADJUSTING	1	
11	E0411	BOLT FLANGE SH M6X100	4	
12	E0412	BOLT FLANGE M6X85	4	
13	E0413	DOWEL PIN 8X14	2	



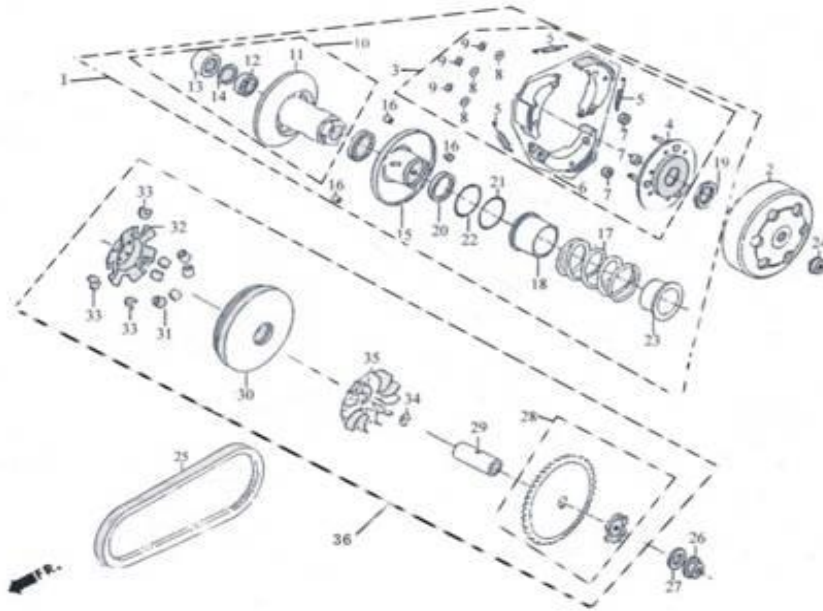
E-05 Carburetor

REF.NO.	PART NO.	DESCRIPTION	Q.T.Y	
1	E0501	CARBURETOR	1	
2	E0502	SCREW SPRING PLATE	2	
3	E0503	SPRING PLATE	1	
4	E0504	PLATE SPRING	1	
5	E0505	SPRING SOCKET	1	
6	E0506	JET CARBURETOR	1	
6,1	E0506.1	WASHER	1	
6,2	E0506.2	O-RING	1	
6,3	E0506.3	CLIP	1	
7	E0507	PISTON COMP. VACUUM	1	
8	E0508	CONTROL LEVER	1	
9	E0509	SCREW M5X8	1	
10	E0510	SCREW M5X14	1	
11	E0511	SCREW M4X17	1	
12	E0512	WASHER4	1	
13	E0513	SPRING	1	
14	E0514	SCREW M4X8	4	
15	E0515	ACV VALVE COVER	1	
16	E0516	SPRING ACV VALVE	1	
17	E0517	ACV VALVE	1	
18	E0518	SEALING	2	
19	E0519	CLIP,TUBE	1	



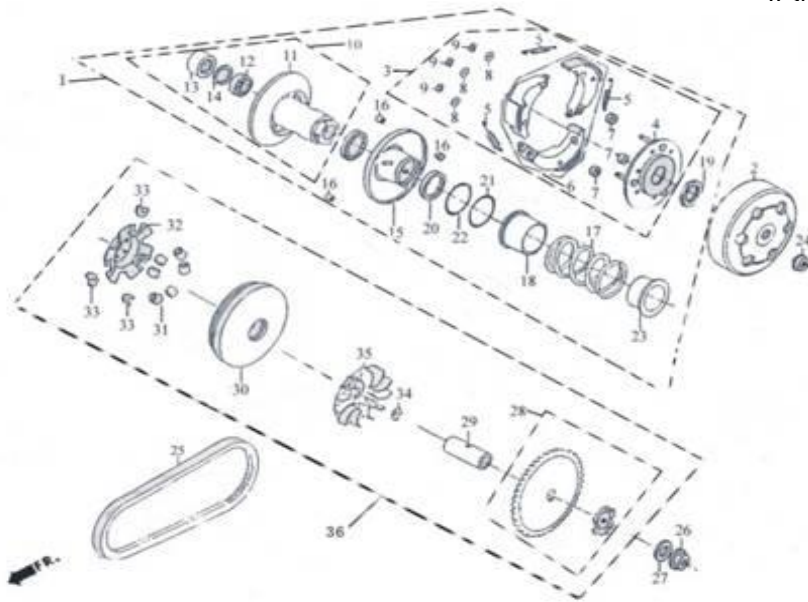
E-5 Carburetor

REF.NO.	PART NO.	DESCRIPTION	Q.T.Y	
20	E0520	BREATHER TUBE	1	
21	E0521	CAP, STERTER VALVE	1	
22	E0522	VALUASET, STARTER ASSY.	1	
23	E0523	STARTER SOCKET	1	
24	E0524	CARBURETOR BODY	1	
25	E0525	SEAL, FLOAT CHAMBER	1	
26	E0526	FLOAT	1	
27	E0527	FLOAT VALVE ASSY.	1	
28	E0528	PIN. FLOAT VALVE	1	
29	E0529	CAP CARBURETOR	1	
30	E0530	SCREW, FUEL LEAKAGE	1	
31	E0531	DUST SEAL CAP	1	
32	E0532	OVER FLOW TUBE	1	
33	E0533	SCREW M4X12	3	
34	E0534	SEALING RING	1	
35	E0535	PLUG PUMP ASSY	1	
36	E0536	PUMP DOWN COVER	1	
37	E0537	SCREW M4X10	2	
38	E0538	JET IDLE RUNNING	1	
39	E0539	MAIN JET	1	
40	E0540	MAIN JET COLUMN	1	



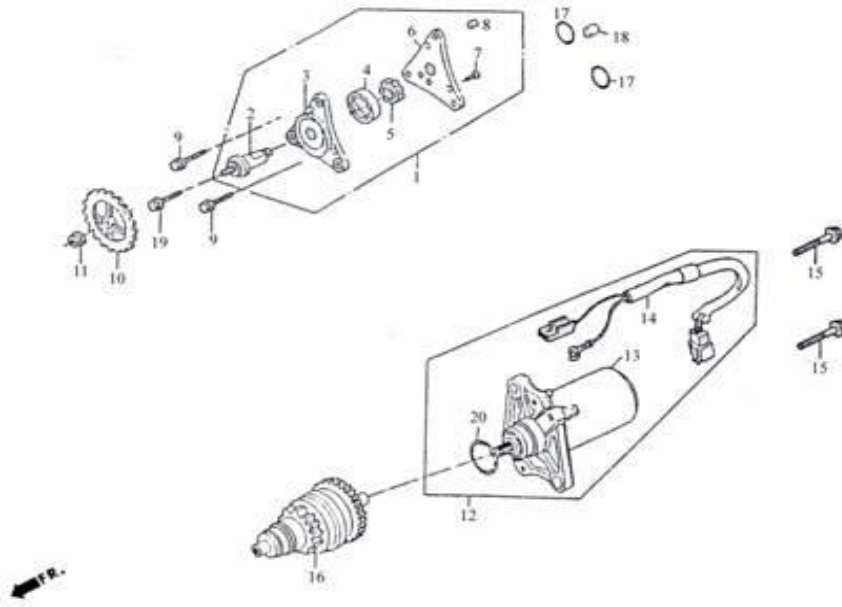
E-06 Driven Pulley

REF.NO.	PART NO.	DESCRIPTION	Q.T.Y	
1	E0601	PLATE SUB ASSY DRIVE	1	
2	E0602	CLUTCH OUTER	1	
3	E0603	PLATE ASSY DRIVE	1	
4	E0604	PLATE COMP DRIVE	1	
5	E0605	SPRING CLUTCH	3	
6	E0606	WEIGHT SET CLUTCH	1	
7	E0607	RUBBER CLUTCH DUMPER	3	
8	E0608	6M/M THRUST WASHER	3	
9	E0609	CIRCLIP 6MM	3	
10	E0610	FACE ASSY DRIVEN	1	
11	E0611	FACE COMP DRIVEN	1	
12	E0612	BRG RADIAL BALL 6901U	1	
13	E0613	BRG NEEDLE 17X25X18	1	
14	E0614	CIRCLIP IN	1	
15	E0615	FACE COMP MOVABLE DRIVEN	1	
16	E0616	PIN GUIDE	3	
17	E0617	SPG DRIVEN FACE	1	
18	E0618	COLLAR SEAL	1	
19	E0619	NUT SPECIAL M28	1	
20	E0620	OIL SEAL 34X39X3	2	
21	E0621	O-RING 36X1.5	1	
22	E0622	O-RING 39.2X2.2	1	
23	E0623	COLLAR SPG	1	
24	E0624	NUT FLANGE M10	1	
25	E0625	BELT DRIVE	1	



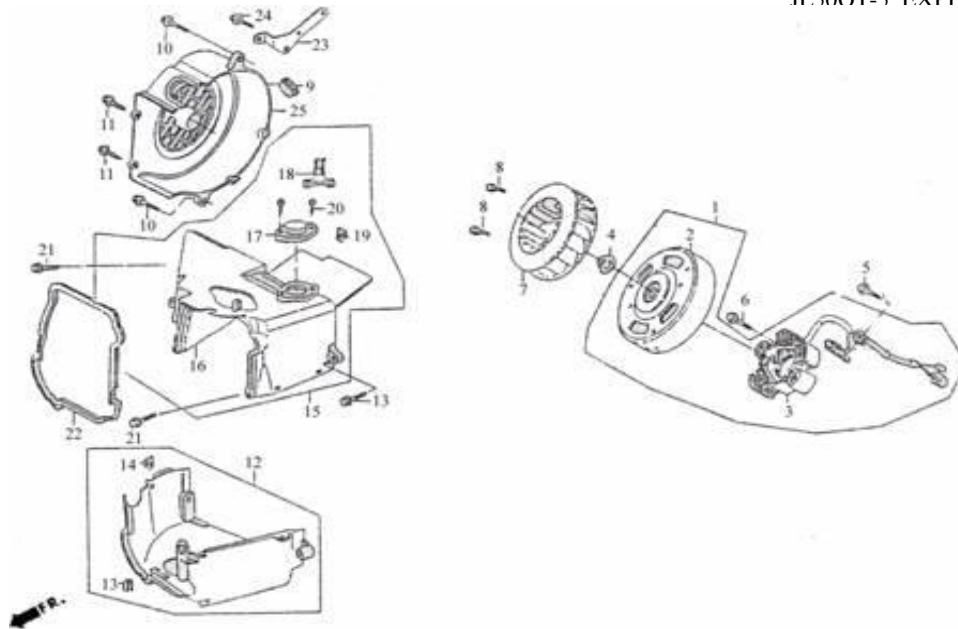
E-06 Driven Pulley

REF.NO.	PART NO.	DESCRIPTION	Q.T.Y	
26	E0626	NUT HEX M12	1	
27	E0627	WASHER SPECIAL 12	1	
28	E0628	FACE DRIVE	1	
29	E0629	BOSS DRIVE FACE	1	
30	E0630	FACE COMP MOVABLE DRIVE	1	
31	E0631	ROLLER COMP WEIGHT	6	
32	E0632	PLATE RAMP	1	
33	E0633	PIECE SLIDE	3	
34	E0634	RATCHET KICK STARTER	1	
35	E0635	FAN CVT COOLING	1	
36	E0636	DRIVER ASSY.	1	



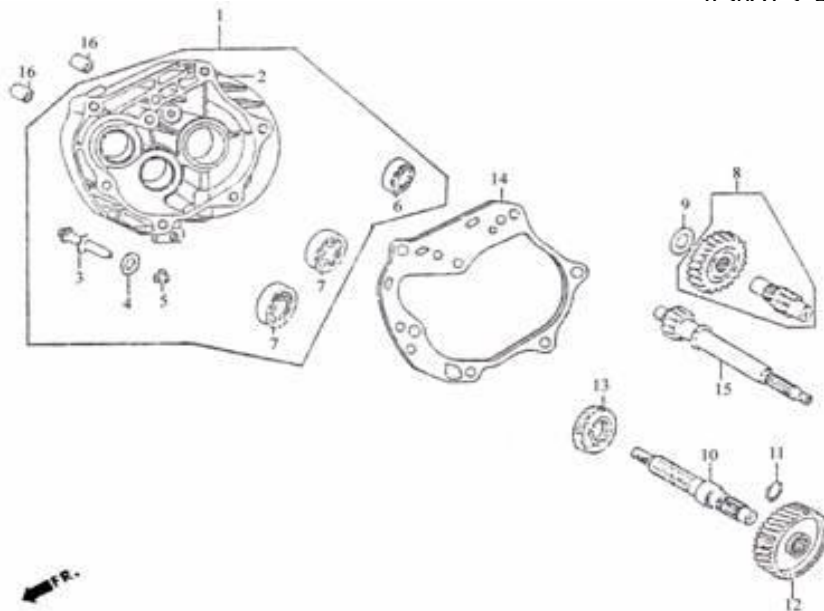
E-07 Starting Motor-Oil Pump

REF.NO.	PART NO.	DESCRIPTION	Q.T.Y	
1	E0701	PUMP ASSY OIL	1	
2	E0702	SHAFT OIL PUMP	1	
3	E0703	BODY OIL PUMP	1	
4	E0704	ROTOR OIL PUMP OUTER	1	
5	E0705	ROTER OIL PUMP INNER	1	
6	E0706	PLATE OIL PUMP	1	
7	E0707	SCREW M4X10	3	
8	E0708	DOWEL PIN 4X6.5	1	
9	E0709	BOLT FLANGE 6X20	2	
10	E0710	GEAR OIL PUMP DRIVEN	1	
11	E0711	NUT FLANGE M6	1	
12	E0712	MOTOR ASSY START	1	
13	E0713	MOTOR UNIT START	1	
14	E0714	SUB HARNESS	1	
15	E0715	BOLT FLANGE SH 6X25	2	
16	E0716	PINION ASSY STARTER	1	
17	E0717	O-RING 9X1.6	2	
18	E0718	PIN DOWELL 8X10	1	
19	E0719	BOLT FLANGE M6X25	1	
20	E0720	O-RING	1	



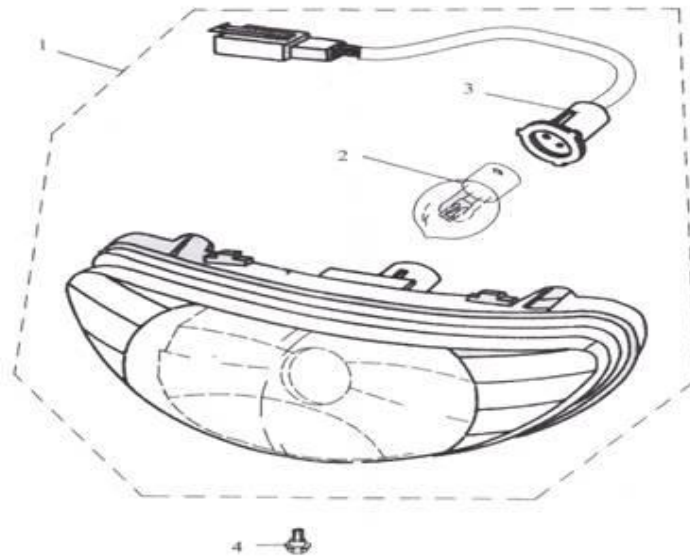
E-08 Fan Cover-Generator

REF.NO.	PART NO.	DESCRIPTION	Q.T.Y	
1	E0801	AC GEN ASSY	1	
2	E0802	FLYWHEEL COMP	1	
3	E0803	STATOR COMP	1	
4	E0804	NUT FLANGE M10	1	
5	E0805	BOLT HEX M5X12	2	
6	E0806	BOLT FLANGE M6X22	2	
7	E0807	FAN COMP COOLING	1	
8	E0808	BOLT FLANGE M6X18	4	
9	E0809	GROM B SIDE PNL	1	
10	E0810	BOLT FLANGE M6X25	3	
11	E0811	SCREW TAPPING 5X16	2	
12	E0812	SHROUD ASSY A	1	
13	E0813	SHROUD COMP A	1	
14	E0814	NUT CLIP 6MM	2	
15	E0815	SHROUD ASSY B	1	
16	E0816	SHROUD COMP B	1	
17	E0817	BOX TENSIONER LIFTER	1	
18	E0818	CLIP VACUUM TUBE	1	
19	E0819	NUT CLIP 6MM	1	
20	E0820	SCREW TAPPING M4X12	2	
21	E0821	BOLT FLANG M6X16	2	
22	E0822	SEAL SHROUD	1	
23	E0823	STAY FENDER	1	
24	E0824	BILT FLANGE M6X12	1	
25	E0825	COVER ASSY FAN	1	



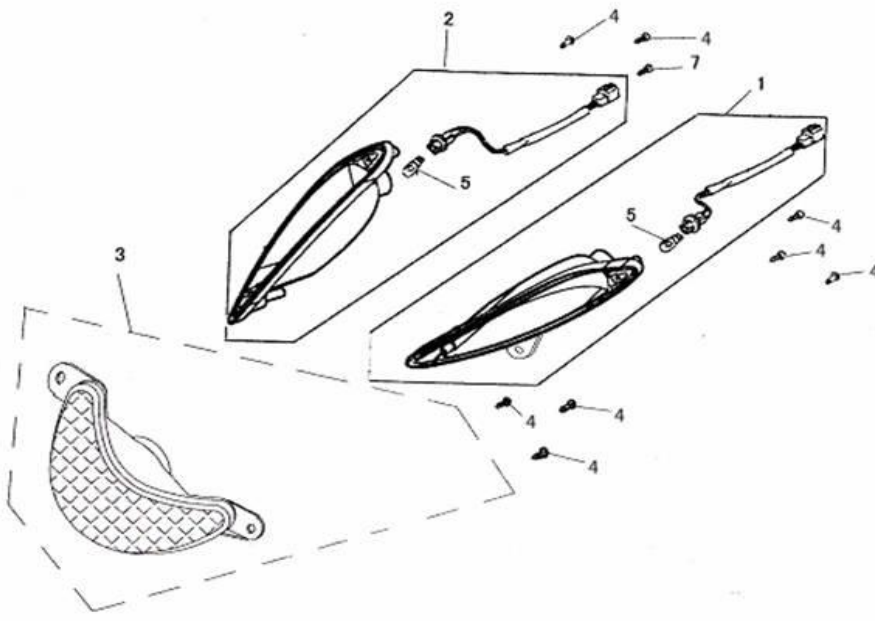
E-09 Transmission

REF.NO.	PART NO.	DESCRIPTION	Q.T.Y	
1	E0901	CASE SET MISSION	1	
2	E0902	MISSION CASE BODY	1	
3	E0903	PIN BRAKE SHOE ANCHOR	1	
4	E0904	O-RING 7.5X1.5	1	
5	E0905	NUT FLANGE M8	1	
6	E0906	BRG BALL RAKIAL 6004UU	1	
7	E0907	BRG BALL RADIAL 6201	2	
8	E0908	SHAFT COMP COUNTER	1	
9	E0909	WASHER SIDE 12	1	
10	E0910	SHAFT FINAL	1	
11	E0911	CIRCLIP 20MM	1	
12	E0912	GEAR FINAL	1	
13	E0913	OIL SEAL 27X42X7	1	
14	E0914	GASKET MISSION CASE	1	
15	E0915	SHAFT DRIVE	1	
16	E0916	DOWEL PIN 10X20	2	



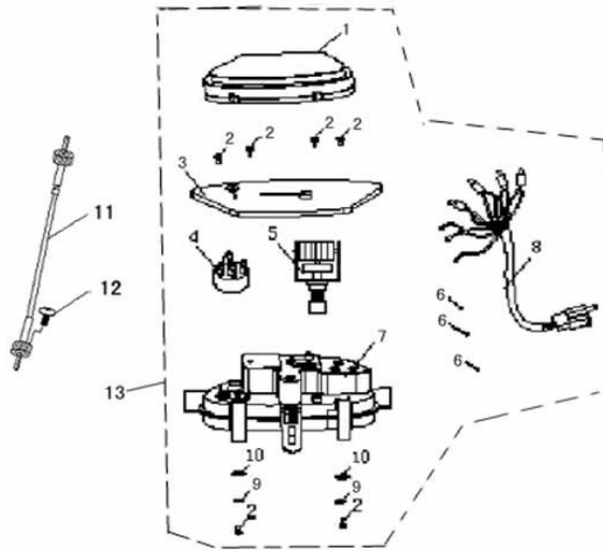
F-01 Headlight

REF.NO.	PART NO.	DESCRIPTION	Q.T.Y	
1	F0101	HEAD LIGHT ASSY	1	
2	F0102	HEAD LIGHT BULB	1	
3	F0103	LAMP HOUSING	1	
4	F0104	BOLT M5×18	1	



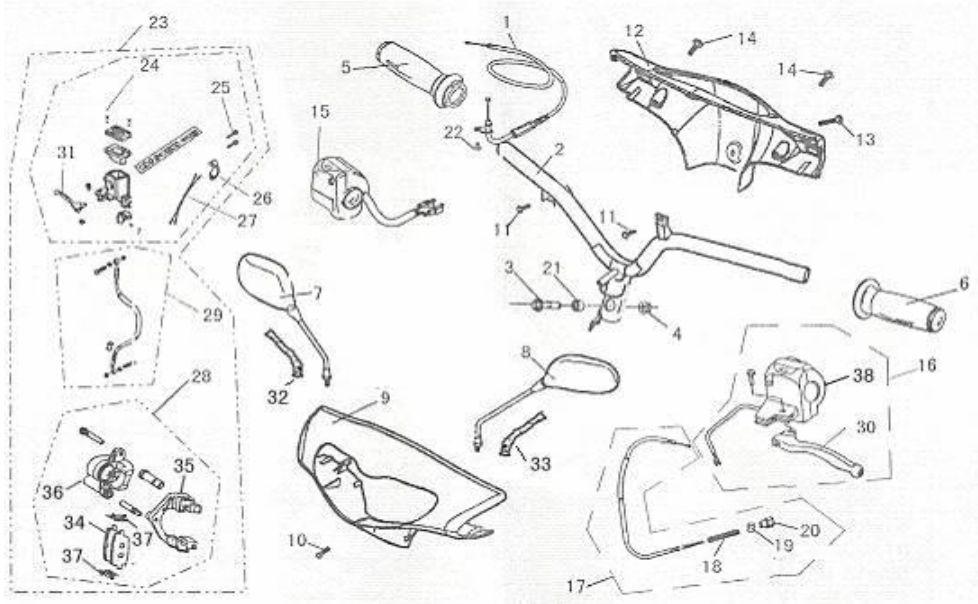
F-02 SIGNAL LIGHT

REF.NO.	PART NO.	DESCRIPTION	Q.T.Y	
1	F0201	FR.LEFT TURN SIGNAL ASSY	1	
2	F0202	FR.RIGHT TURN SIGNAL ASSY	1	
3	F0203	FT.LAMP ASSY	1	
4	F0204	SCREW TAPPING	9	
5	F0205	TURN SIGNAL BULB	2	



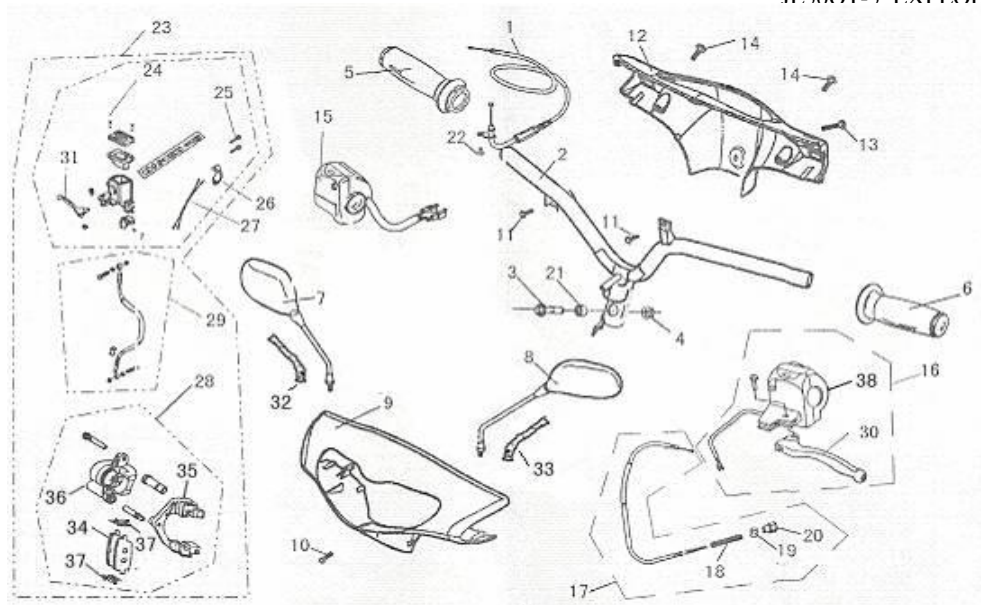
F-03 Meter Assy

REF.NO.	PART NO.	DESCRIPTION	Q.T.Y	
1	F0301	LENS	1	
2	F0302	BOLT M4×10	6	
3	F0303	COVER SPEEDOMETER	1	
4	F0304	COIL COMP OIL METER	1	
5	F0305	TRANSMISSION COMP SPEEDOMETER	1	
6	F0306	BOLT M3×22	3	
7	F0307	CASE ASSY	1	
8	F0308	SOCKET COMP METER	1	
9	F0309	FLAT WASHER	2	
10	F0310	SPRING WASHER	2	
11	F0311	CABLE DISTANCE DATA	1	
12	F0312	BOLT	1	
13	F0313	METER ASSY	1	



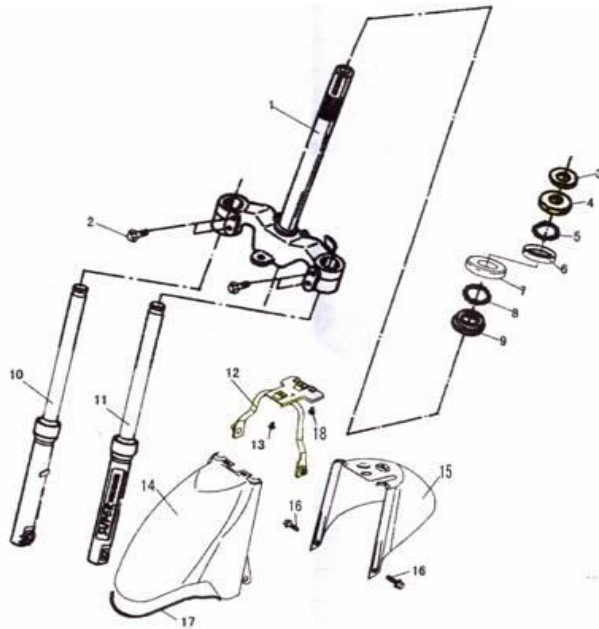
F-04 Operating System (disk brake)

REF.NO.	PART NO.	DESCRIPTION	Q.T.Y	
1	F0401	OIL CABLE	1	
2	F0402	HANDBAR	1	
3	F0403	BOLT M10×45	1	
4	F0404	GRIP NUT	1	
5	F0405	CRIP THROTTLE ASSY	1	
6	F0406	LEFT GRIP	1	
7	F0407	R.MIRROR COMP BACK	1	
8	F0408	L.MIRROR COMP BACK	1	
9	F0409	FR. PART HEAD COVER SILVER	20	
10	F0410	BOLT M6×12	1	
11	F0411	SCREW,TAPPING	2	
12	F0412	REAR PART,HEAD COVER	1	
13	F0413	BOLT M6×18	1	
14	F0414	SCREW,TAPPING	2	
15	F0415	R SWITCH ASSY.	1	
16	F0416	L SWITCH ASSY.	1	
17	F0417	REAR BRAKE LINK ASSY	1	
18	F0418	SPRING	1	
19	F0419	JOINT BRAKE ARM	1	
20	F0420	NUT ADJUST	1	
21	F0421	BUSH	1	
22	F0422	BOLT	1	



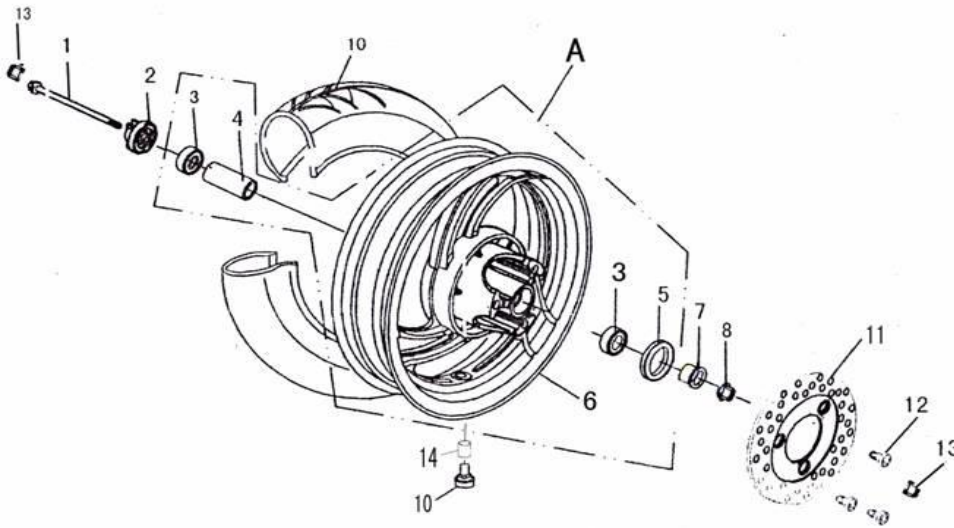
F-04Operating System (disk brake)

REF.NO.	PART NO.	DESCRIPTION	Q.T.Y	
23	F0423	DISK BRAKE ASSY	1	
24	F0424	MASTER CYLINDER ASSY	1	
25	F0425	BOLT	2	
26	F0426	PRESURE BLOCK	1	
27	F0427	FR.STOP HARNESS	1	
28	F0428	CALIPER ASSY	1	
29	F0429	BRAKE HOSE ASSY	1	
30	F0430	R.BRAKE HANDLE	1	
31	F0431	L.BRAKE HANDLE	1	
32	F0432	RUBBER SOCKET R. MIRROR	1	
33	F0433	RUBBER SOCKET R. MIRROR	1	
34	F0434	SHOE	1	
35	F0435	BRAKE CLIP	1	
36	F0436	DOWN PUMP	1	
37	F0437	FIXED SPRING PLATE	2	
38	F0438	L SWITCH PART	1	



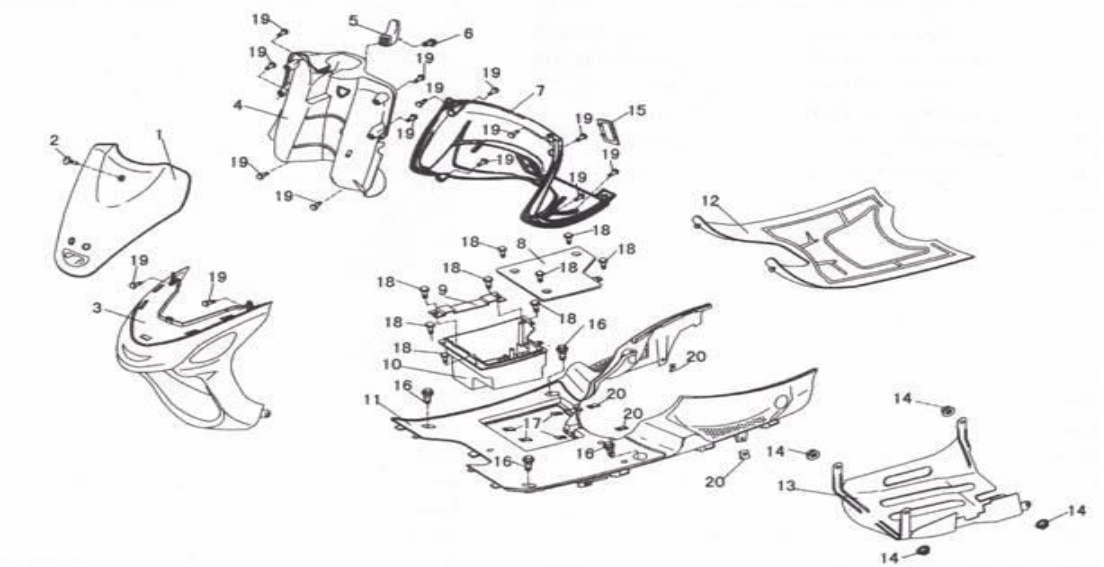
F-05 Front Fork

REF.NO	PART NO.	DESCRIPTION	Q.T.Y	
1	F0501	STEERING COLUMN WELDING ASSY	1	
2	F0502	BOLT FLLANGE M6×40	4	
3	F0503	ASSMBLING NUT STEERING COLUMN	1	
4	F0504	RASE BALL UPPER	1	
5	F0505	BALL UPPER	1	
6	F0506	RASE UPPER	1	
7	F0507	RASE LOW	1	
8	F0508	BALL LOW	1	
9	F0509	RASE BALL LOW	1	
10	F0510	FR.FORK SHOCK ABSORBER ASSY(L)	1	
11	F0511	FR.FORK SHOCK ABSORBER ASSY(R)	1	
12	F0512	FENDER WELDING ASSY	1	
13	F0513	BOLT	2	
14	F0514	FR.PART,FR.FENDER SILVER	20	
15	F0515	REAR PART,FR.FENDER	1	
16	F0516	BOLT	2	
17	F0517	RUBBER FR.FENDER	1	
18	F0518	BOLT	2	



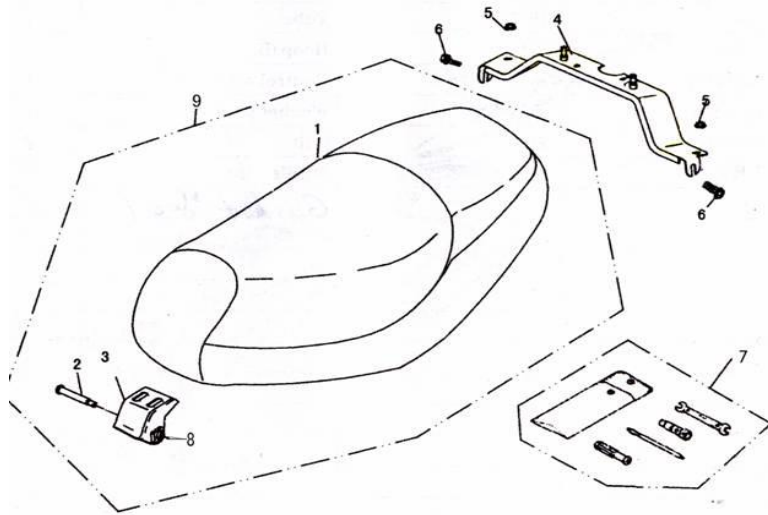
F-06 Front Wheel

REF.NO.	PART NO.	DESCRIPTION	Q.T.Y	
1	F0601	AXLE FR.WHEEL	1	
2	F0602	COUNTER	1	
3	F0603	BEARING 6201	2	
4	F0604	CENTRAL SET	1	
5	F0605	SEAL DRST	1	
6	F0606	FRONT WHEEL ASSY	1	
7	F0607	BUSH	1	
8	F0608	NUT M12	1	
9	F0609	TIRE3.50-10	1	
10	F0610	VALVE	1	
11	F0611	DISK BRAKE	1	
12	F0612	DISK BRAKE BOLT	3	
13	F0613	RUBBER CAPφ14	2	
14	F0614	CAP	1	
A	F06A	RIM ASSY.	1	



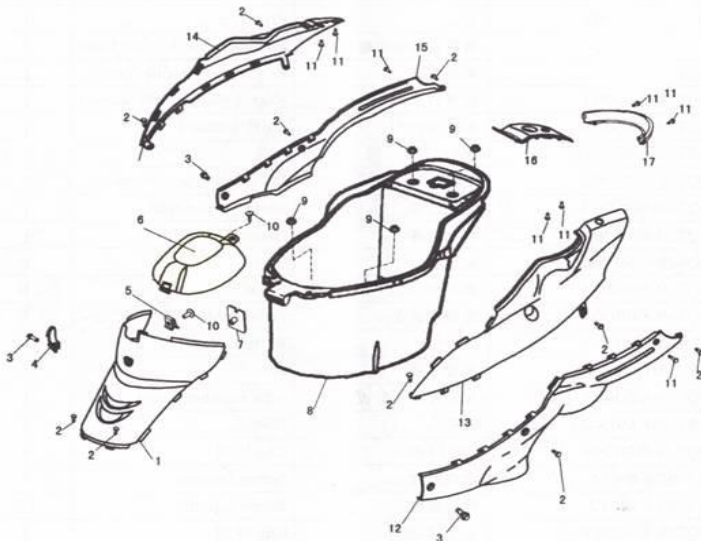
F-07 Front Cover/Floor Pedal

REF.NO.	PART NO.	DESCRIPTION	Q.T.Y	
1	F0701	FR.COVER SILVER	20	
2	F0702	ASSEMBLING,NUT,FR.COVER BOARD M6×20	1	
3	F0703	FR,COVER FR.FENDER COMP	1	
4	F0704	REAR UPPER PART(FR.COVER)	1	
5	F0705	SMALL POTHOOK	1	
6	F0706	BOLT M8×22	1	
7	F0707	REAR LOWER PART(F(FR.COVER)	1	
8	F0708	BATTERY BOX COVER	1	
9	F0709	BATTERY BAND	1	
10	F0710	BATTER BOX	1	
11	F0711	PEDAL	1	
12	F0712	PEDAL RUBBER	1	
13	F0713	BOTTOM COVER	1	
14	F0714	NUT	4	
15	F0715	FORK NUMBER BOARD	1	
16	F0716	BOLT M6×18	4	
17	F0717	CLIP(4.8)	4	
18	F0718	SCREW,TAPPING ST3.9×13	9	
19	F0719	SCREW,TAPPING ST3.9×13	12	
20	F0720	CLIP(4.2)	2	

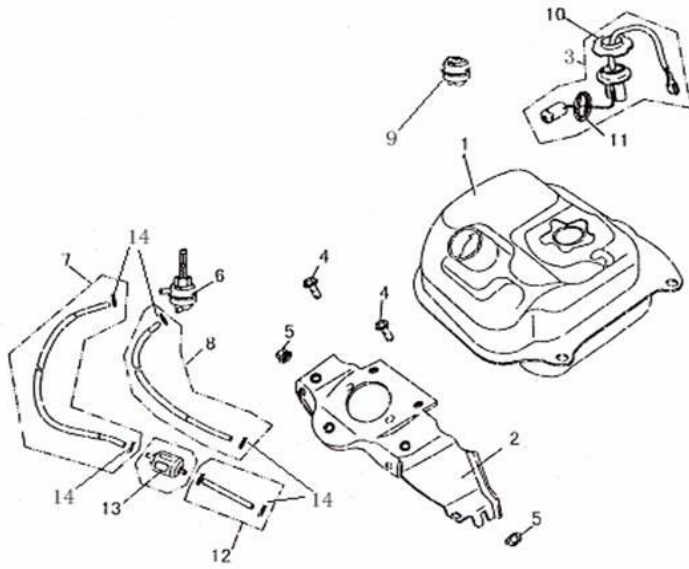


F-08 Cushion

REF.NO.	PART NO.	DESCRIPTION	Q.T.Y	
1	F0801	CUSHION ASSY	10	
2	F0802	Column	1	
3	F0803	SEAT ASSEMBLING FRAME	1	
4	F0804	ASSEMBLING FRAME WELDING ASSY	1	
5	F0805	NUT M6	2	
6	F0806	BOLT M6X12	2	
7	F0807	TOOL SET	1	
8	F0808	NUT M8	1	
9	F0809	SEAT ASSY.	1	

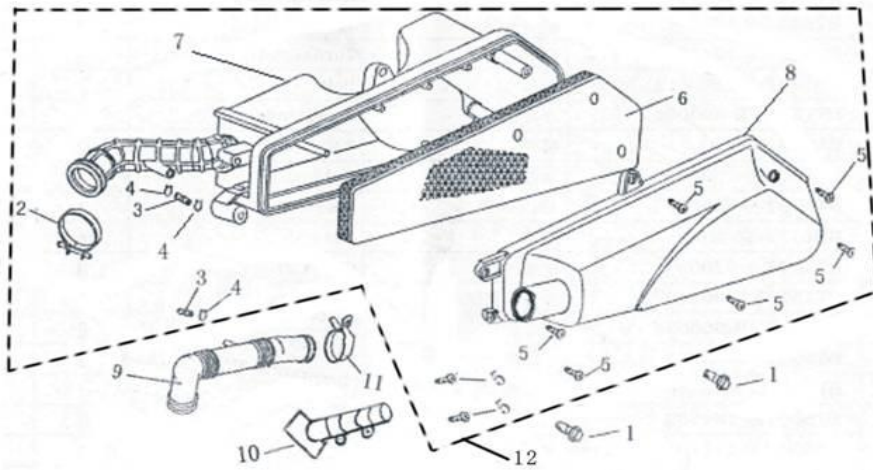


REF.NO.	PART NO.	DESCRIPTION	Q.T.Y	JL50QT-5 EXPLODE DRAWING 01 VERSION
1	F0901	CENTER PROTECT COVER	1	
2	F0902	SCREW TAPPING M5×16	10	
3	F0903	BOLT M6×12	3	
4	F0904	POTHOOK(BIG)	1	
5	F0905	CLIP NUT	1	
6	F0906	LUGGAGE BOX INTER COVER	1	
7	F0907	HOOK ASSEMBLING WELDING ASSY	1	
8	F0908	LUGGAGE BOX	1	
9	F0909	NUT M6	4	
10	F0910	BOLT M5×18	2	
11	F0911	SCREW TAPPING	8	
12	F0912	LEFT SIDE COVER	1	
13	F0913	LEFT TAIL COVER SILVER	20	
14	F0914	RIGHT TAIL COVER SILVER	20	
15	F0915	RIGHT SIDE COVER	1	
16	F0916	TAIL COVER CONNECTING BOARD SILVER	20	
17	F0917	TAIL LAMP COVER	1	



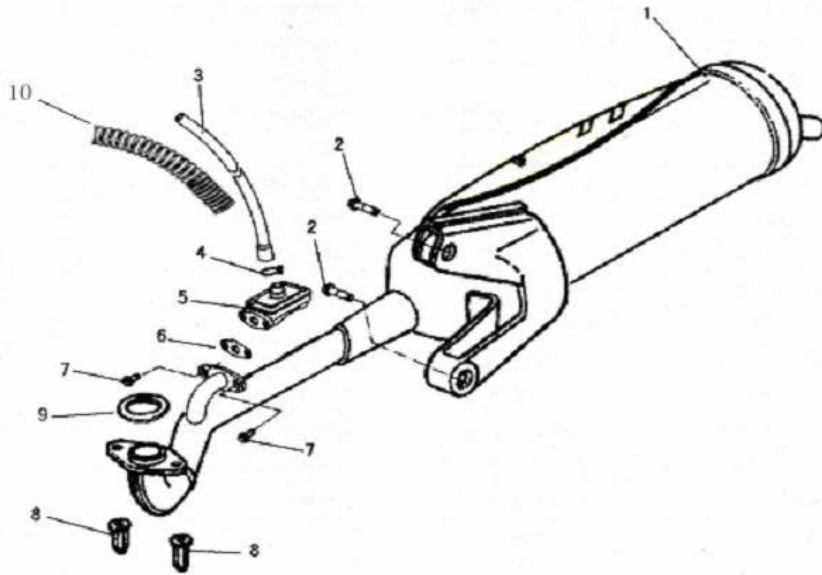
F-10 Fuel Tank

REF.NO.	PART NO.	DESCRIPTION	Q.T.Y	
1	F1001	TANK WELDING ASSY	1	
2	F1002	PLATE OF FIXING TANK	1	
3	F1003	FUEL TRANSDUCER	1	
4	F1004	BOLT M6X12	2	
5	F1005	NUT M6	2	
6	F1006	FUEL COCK	1	
7	F1007	TUBE FUEL A	1	
8	F1008	TUBE VJACUUM	1	
9	F1009	COVER	1	
10	F1010	TRANSDUCER PRESSURE COVER	1	
11	F1011	SEAL	1	
12	F1012	TUBE FUEL B	1	
13	F1013	FILTER	1	
14	F1014	CLIP,TUBE	5	



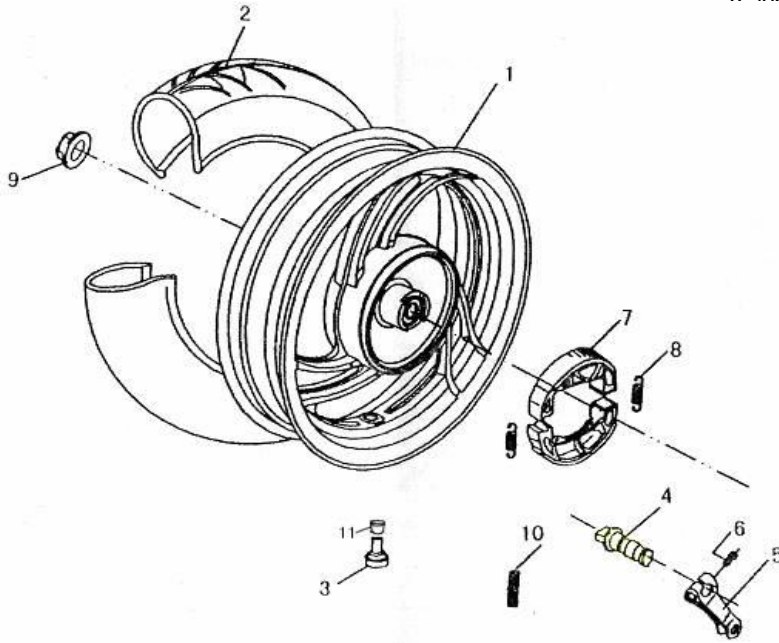
F-11 Air Cleaner

REF.NO.	PART NO.	DESCRIPTION	Q.T.Y	
1	F1101	BOLT M6×30	2	
2	F1102	CLIP,TUBE	2	
3	F1103	TUBE	2	
4	F1104	CLIP,TUBE(A)	3	
5	F1105	SCREW ST4.2×19	8	
6	F1106	AIR FILTER	1	
7	F1107	BODY AIR CLEANER	1	
8	F1108	COVER CLEANER	1	
9	F1109	INLET TUBE	1	
10	F1110	PIPE	1	
11	F1111	CLAMP	1	
12	F1112	AIR CLEANER	20	



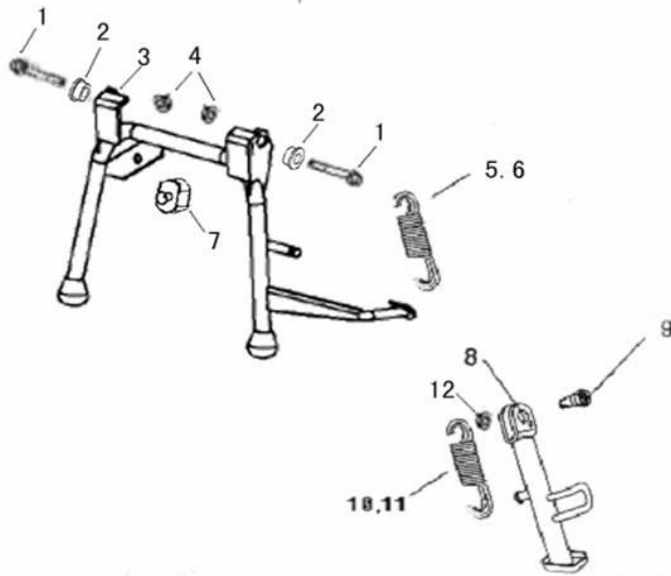
F-12 Exhaust Muffler

REF.NO.	PART NO.	DESCRIPTION	Q.T.Y	
1	F1201	MUFFLER WELDING ASSY	1	
2	F1202	BOLT M8X35	2	
3	F1203	PIPE	1	
4	F1204	HOOP	1	
5	F1205	VALVE	1	
6	F1206	WASHER PLAIN	1	
7	F1207	BOLT M6X12	2	
8	F1208	NUT M6	2	
9	F1209	SEAL	1	
10	F1210	SPRING	1	



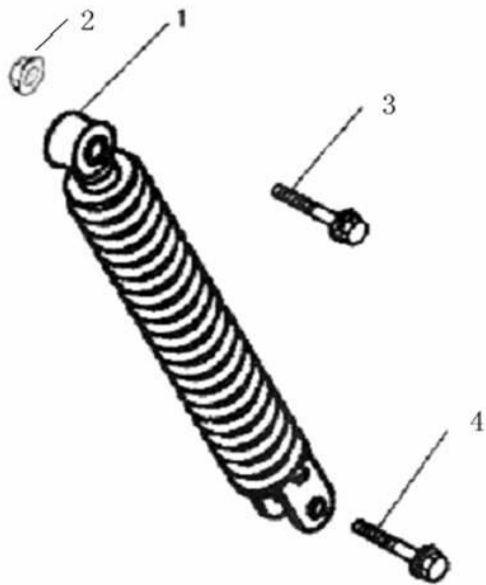
F-13 Rear Wheel

REF.NO.	PART NO.	DESCRIPTION	Q.T.Y	
1	F1301	REAR RIM	1	
2	F1302	TYRE3.50-10	1	
3	F1303	VALVE	1	
4	F1304	REAR BRAKE CAM	1	
5	F1305	ROCKER REAR BRAKE	1	
6	F1306	BOLTM6×35	1	
7	F1307	BRAKE SHOE	2	
8	F1308	SPRING	2	
9	F1309	NUT M16	1	
10	F1310	SPRING	1	
11	F1311	CAP	1	



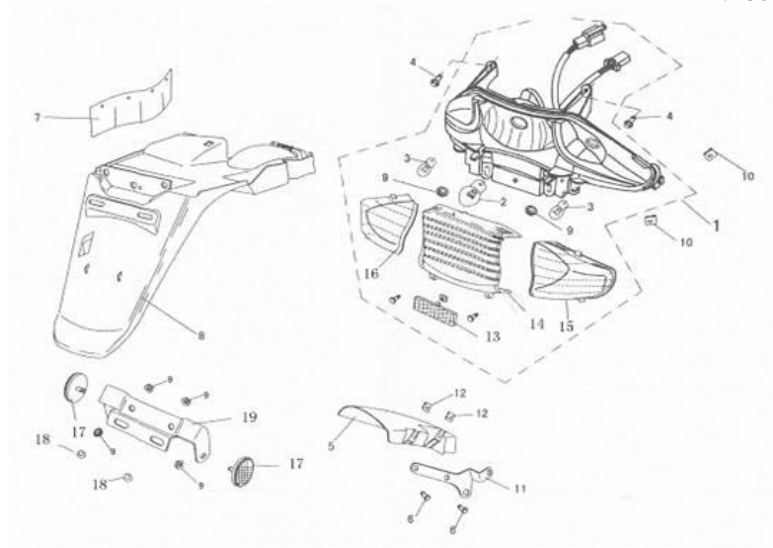
F-14 Main stand assy/Side stand assy

REF.NO.	PART NO.	DESCRIPTION	Q.T.Y	
1	F1401	BOLT M8×50	1	
2	F1402	BUSH	2	
3	F1403	CENTER STAND	1	
4	F1404	NUT M8	3	
5	F1405	SPRING	1	
6	F1406	SPRING	1	
7	F1407	LIMIT SPACE RUBBER(STOPPER)	1	
8	F1408	SIDE STAND WELDING ASSY	1	
9	F1409	SIDE STAND ASSEMBLING COLUMN	1	
10	F1410	SPRING	1	
11	F1411	SPRING	1	
12	F1412	NUT M8	1	



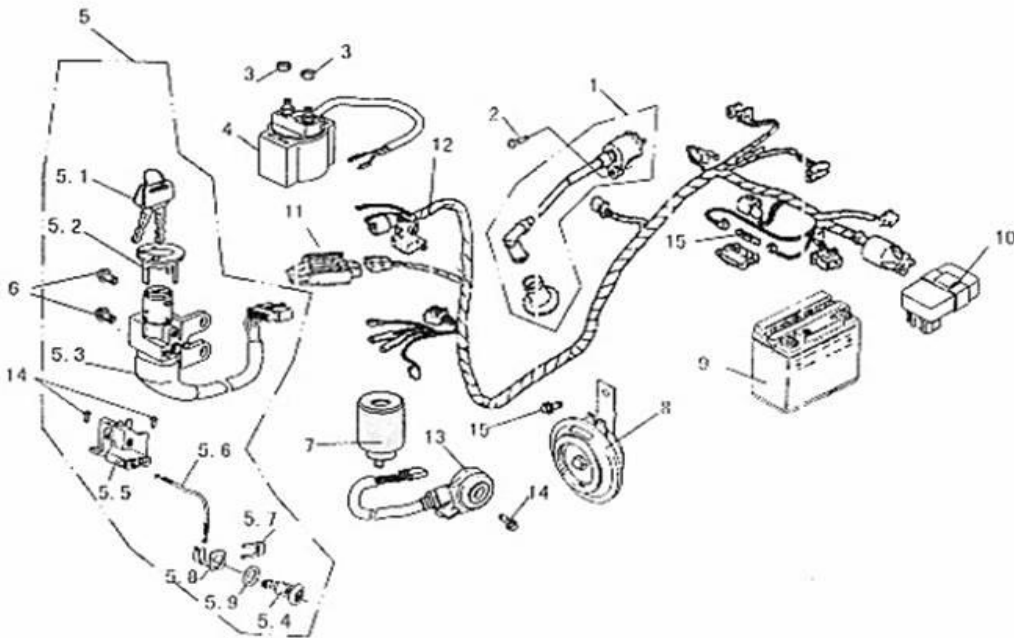
F-15 Rear shock absorber

REF.NO.	PART NO.	DESCRIPTION	Q.T.Y	
1	F1501	REAR SHOCK ABSORBER ASSY	1	
2	F1502	NUT m10	1	
3	F1503	BOLT M10×70	1	
4	F1504	BOLT M8×32	1	



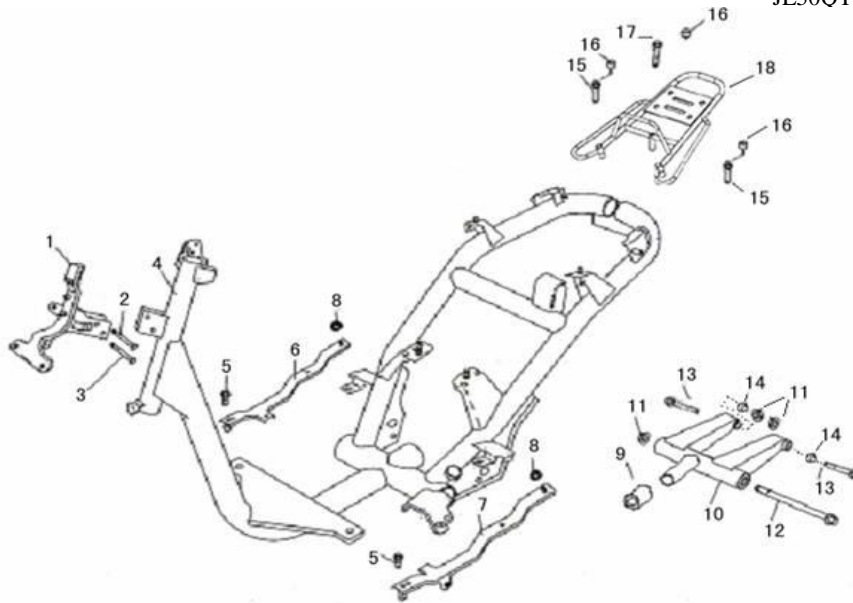
F-16 Rear light Assy/Rear Fender Assy

REF.NO.	PART NO.	DESCRIPTION	Q.T.Y	
1	F1601	REAR LIGHT ASSY	20	
2	F1602	TAIL LAMP	1	
3	F1603	TURN SIGNAL LAMP	2	
4	F1604	BOLT M6×18	2	
5	F1605	SMALLFENDER	1	
6	F1606	BOLT M5×12	2	
7	F1607	BUBBER	1	
8	F1608	REAR FENDER	1	
9	F1609	NUT M6	6	
10	F1610	CLIP(4.2)	4	
11	F1611	FENDER FRAME	1	
12	F1612	NUT CLIP	2	
13	F1613	REAR REFLECT	1	
14	F1614	TAIL LAMP COVER	1	
15	F1615	TURN RIGHT LAMP COVER	1	
16	F1616	TURN LEFT LAMP COVER	1	
17	F1617	REFLECT	2	
18	F1618	FLAT WASHER	2	
19	F1619	ASSMENBLING FRAME	1	



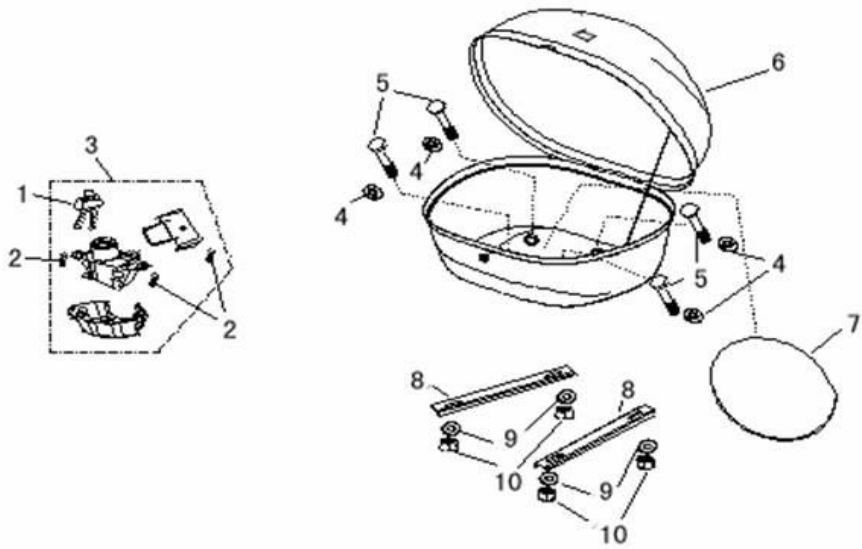
F-17 Wire harness

REF.NO.	PART NO.	DESCRIPTION	Q.T.Y	
1	F1701	COIL ASSY IGNITION	1	
2	F1702	BOLT M5×25	1	
3	F1703	NUT M6	3	
4	F1704	IGNITION COIL	1	
5	F1705	SWITCH ASSY	1	
6	F1706	BOLT M6X12	2	
7	F1707	BASH RELAY	1	
8	F1708	HORM COMP	1	
9	F1709	BATTERY	1	
10	F1710	CDI	1	
11	F1711	RECTIFIER ADJUSTER	40	
12	F1712	WIRING ASSY	1	
13	F1713	(OFF)SWITCH ASSY	1	



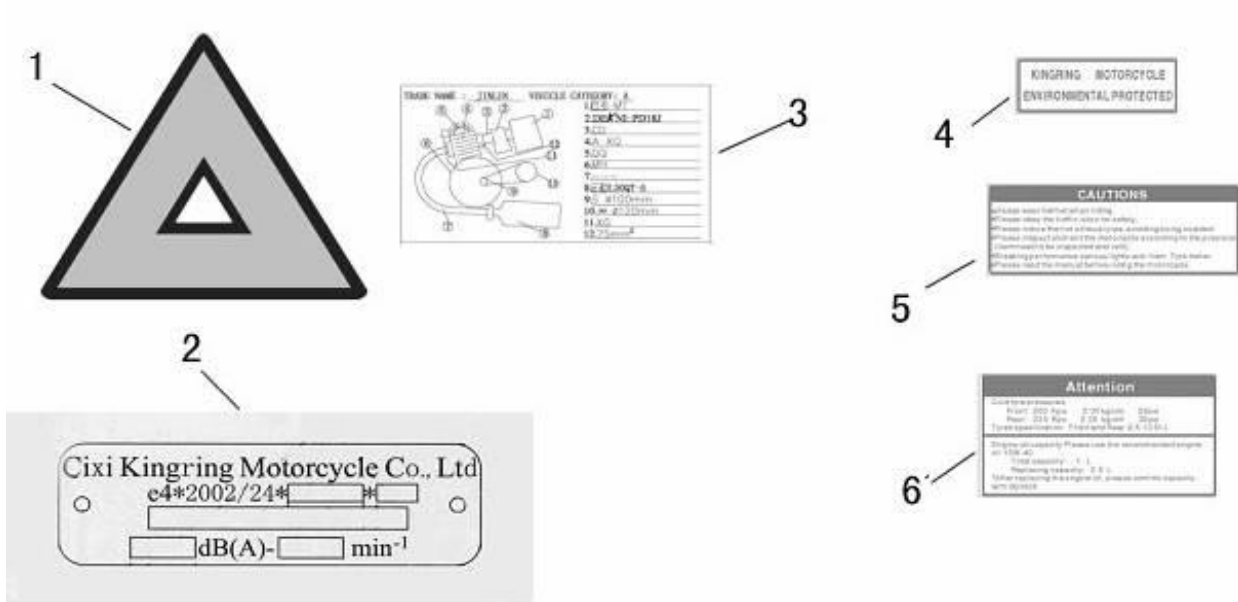
F-18 Frame Body

REF.NO.	PART NO.	DESCRIPTION	Q.T.Y	
1	F1801	Fr. ASSEMBLING FRAME WELDING ASSY	1	
2	F1802	BOLT FLANGE M6X30	1	
3	F1803	BOLT FLANGE M6X35	1	
4	F1804	MAIL FRAME WELDING ASSY	1	
5	F1805	BOLT FLANGE M6X35	2	
6	F1806	ASSEMBLING FRAME ASSY RH PEDAL	1	
7	F1807	ASSEMBLING FRAME ASSY LH PEDAL	1	
8	F1808	NUT M6	2	
9	F1809	CUSHIN RUBBER	1	
10	F1810	ROCK FRAME WELDING ASSY	10	
11	F1811	NUT M10	3	
12	F1812	SHAFT	1	
13	F1813	BOLT M10×70	2	
14	F1814	FLAT WASHER 10	2	
15	F1815	BOLT HEX M8×34	2	
16	F1816	RUBBER CAP	3	
17	F1817	BOLT HEX M8×74	1	
18	F1818	REAR CARRIER ASSY.	1	



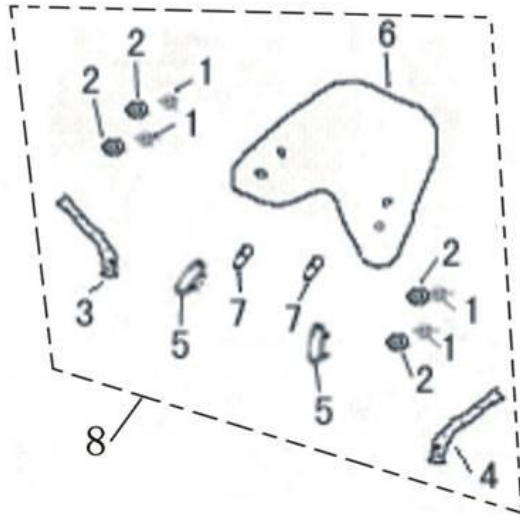
F-19 REAR CARRIER

REF.NO.	PART NO.	DESCRIPTION	Q.T.Y	
1	F1901	KEY	2	
2	F1902	BOLT M6X16	3	
3	F1903	REAR CARGO BODY LOCK	1	
4	F1904	WASHER	4	
5	F1905	BOLT M6X40	4	
6	F1906	REAR CARGO BODY BLACK	5	
	F1906	REAR CARGO BODY HONDA RED	5	
	F1906	REAR CARGO BODY SUZUKI RED	5	
	F1906	REAR CARGO BODY SUZUKI BLUE	5	
7	F1907	RUBBER WASHER	1	
8	F1908	ADAPTER PLATE	2	
9	F1909	FLAT WASHER	4	
10	F1910	NUT M8	4	



F-20 Mark

REF.NO.	PART NO.	DESCRIPTION	Q.T.Y	
1	F2001	REAR FENDER CAUTIONS MARK	1	
2	F2002	MAIN FRAME MARK	1	
3	F2003	ANTI TAMPERING PLATE	1	
4	F2004	SPEEDMETER COVER MARK A	1	
5	F2005	SPEEDMETER COVER MARK B	1	
6	F2006	FRONT COVER MARK	1	



F-21 FRONT GLASS

REF.NO.	PART NO.	DESCRIPTION	Q.T.Y	
1	F2101	NUT	2	
2	F2102	RUBBERWASHER	2	
3	F2103	R.FIXED PALTE	1	
4	F2104	L.FIXED PALTE	1	
5	F2105	FIXED BLOCK	2	
6	F2106	FRONT GLASS	1	
7	F2107	RUBBER CUSION	2	
8	F2108	WINDSHIELD	1	

