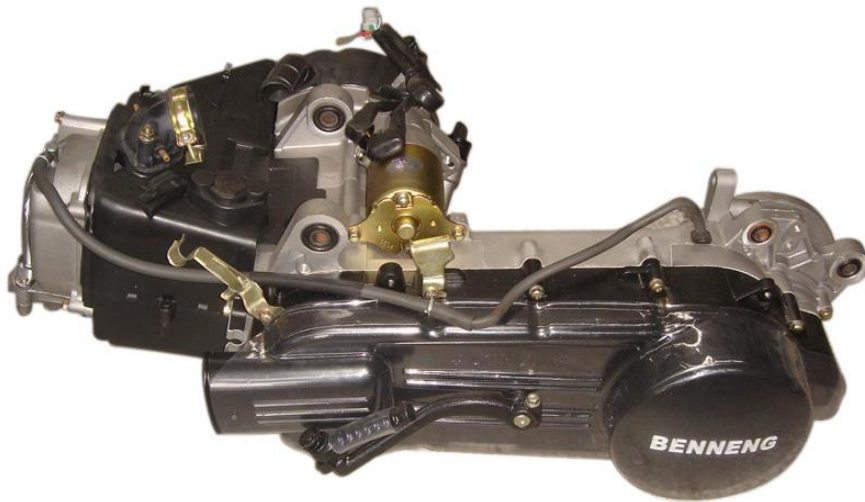
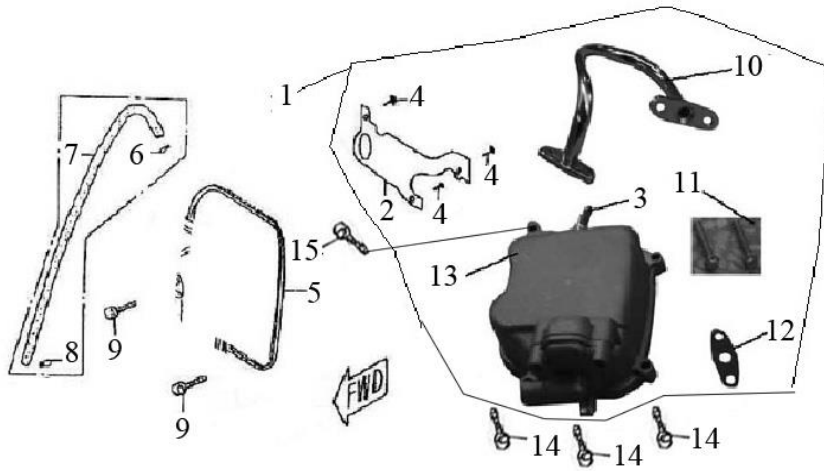


BN152QMI GY6长箱体发动机125CC



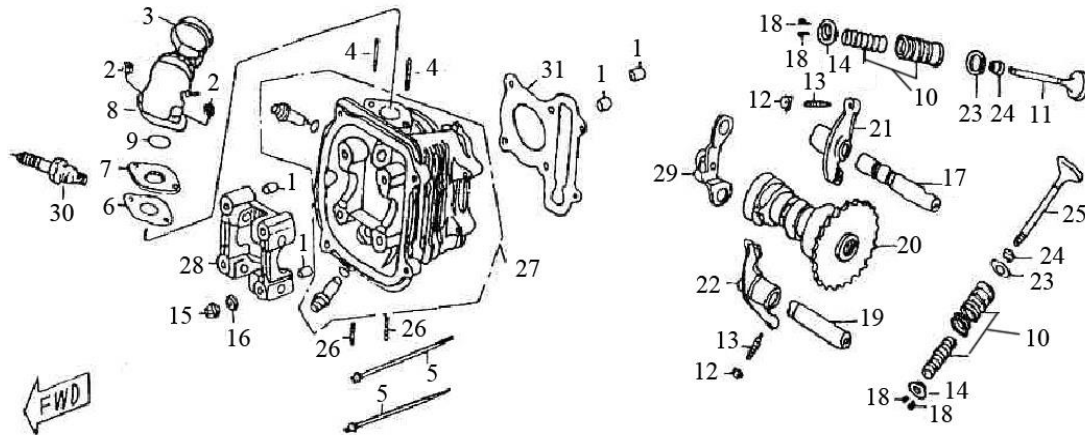
E-1	Cylinder Head Cover	
E-2	Cylinder Head	
E-3	Cylinder	Updated times:NO.1
E-4	Crankshaft • Connecting Rod • Piston	
E-5	Crankcase-L	
E-6	Left Crankcase Cover	
E-7	Crankcase R	Update date:2007. 10. 08
E-8	Right Crankcase Cover	
E-9	Transmission	
E-10	Generator	
E-11	Starting Motor	
E-12	Oil Pump	
E-13	Fan Cover • Shroud	

E-1气缸头盖组
Cylinder Head Cover



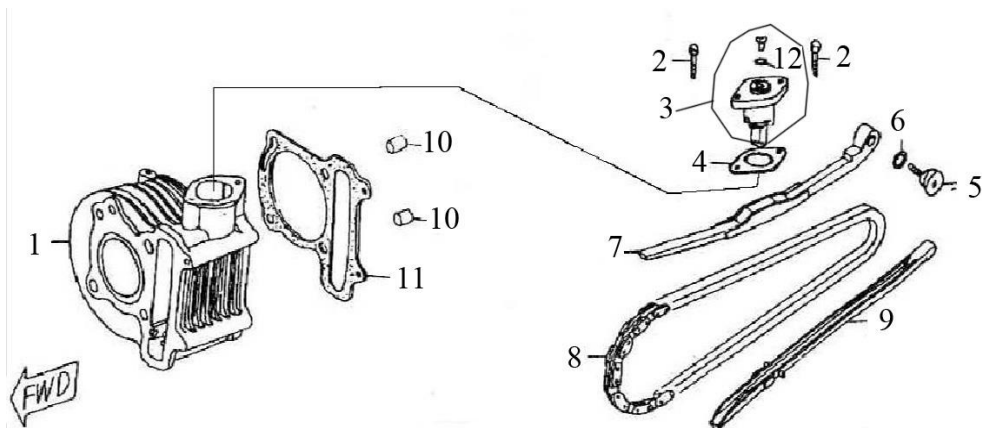
序号	图号及条形码	中文名称	英文名称	unit	
No	Part no	Chinese	Description	Qty	
1	BN152QMI-0100000	气缸头盖组	cylinder head cover groupware	1	
2	BN152QMI-0100002	通气压板	PRESSURE PLATE BREATHER	1	
3	BN152QMI-0101000	通气销	TUBE BREATHER	1	
4	GB845-85	自攻螺钉ST4. 2X8-F-H	SCREW ST4.2×8-F-H	3	
5	BN152QMI-0100003	缸头盖垫圈	GASKET HEAD COVER	1	
6	BN152QMI-0100004	通气管夹A	CLIP TUBE(A)	1	
7	BN152QMI-0100005	通气管	AIR TUBE	1	
8	BN152QMI-0100006	通气管夹B	CLIP TUBE(B)	1	
9	GB5787-1986	螺栓M6×25	BOLT M6×25	2	
10	BN152QMI-0100006	通气弯管	aerate syphon	1	
11	GB5787-1986	通气弯管安装螺钉M6×25	aerate syphon install boltM6×25	2	
12	BN152QMI-0100007	通气弯管密封垫	aerate syphon airproof gasket	1	
13	BN152QMI-0100008	气缸头盖	cylinder head cover	1	
14	GB5787-1986	螺栓M6×35	BOLT M6×35	4	
15	GB5787-1986	螺栓M6×55	BOLT M6×55	1	

E-2气缸头 Cylinder Head



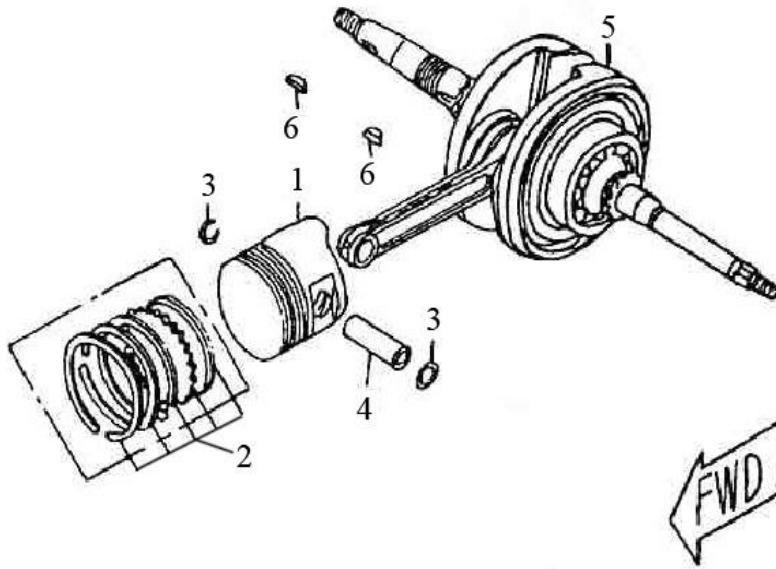
序号	图号及条形码	中文名称	英文名称	unit
No	Part no	Chinese	Description	Qty
1	BN152QMI-0200001	定位销10X16	PIN DOWEL10X16	4
2	GB6177-86	螺母M6	NUT M6	2
3	BN152QMI-0202001	进气管夹	CLIP TUBE ASSY	1
4	GB901-86	双头螺柱M6×63	STUD M6×63	2
5	GB5787-1986	六角法兰面螺杆M6X100	HEXAGEN FLANGE SCREW M6X100	2
6	BN152QMI-0200003	隔热板垫片	GASKET CARBURETOR INSULATOR	1
7	BN152QMI-0200004	化油器隔热板	INSULATOR CARBURETOR	1
8	BN152QMI-0202000	进气管组	INTAKE TUBE ASSY	1
9	BN152QMI-0200005	O环27×2.0	O RING 27×2.0	1
10	BN152QMI-0200006	气门内外弹簧	SPRING VALVE INNER, OUTER	2
11	BN152QMI-0200008	进气门	VALVE INTAKE	1
12	BN152QMI-0200009	调整螺丝固定螺母	NUT TAPPET ADJUSTING	2
13	BN152QMI-0200010	挺杆调整螺丝	SCREW TAPPET ADJUSTING	2
14	BN152QMI-0200011	气门弹簧保持器	RETAINER VALVE SPRING	2
15	GB6177-86	螺母M8	NUT M8	4
16	GB97.2-85	平垫圈8	WASHER 8	4
17	BN152QMI-0203000	进气门摇臂轴组	SHAFT COMP INTAKE VALVE ROCKER ARM	1
18	BN152QMI-0200012	气门夹锁	VALVE CONE HALF	4
19	BN152QMI-0200013	排气门摇臂轴	SHAFT EXVALVE ROCKER ARM	1
20	BN152QMI-0204000	凸轮轴组	CAMSHAFT GROUP	1
21	BN152QMI-0200014	进气门摇臂	ROCKER ARM INNER	1
22	BN152QMI-0200019	排气门摇臂	ROCKER ARM OUTER	1
23	BN152QMI-0200015	气门弹簧座	VALVE SPRING RETAINER	1
24	BN152QMI-0205000	气门油封组	VALVE OIL SEAL ASSY	1
25	BN152QMI-0200016	排气门	EXHAUST VALVE	1
26	GB901-86	双头螺柱M6×32	DOUBLE END STUDS M6×32	2
27	BN152QMI-0206000	汽缸头组	CYLINDER HEAD ASSY	1
28	BN152QMI-0200017	凸轮轴固定座	HOLDER CAMSHAFT	1
29	BN152QMI-0207000	单向制止器组	SINGLE STOPPER COMP	1
30	BN152QMI-0200018	火花塞	SPARK PLUG	1
31	BN152QMI-0000001	汽缸头垫片	GASKET CYLINDER HEAD	1

E-3气缸 Cylinder



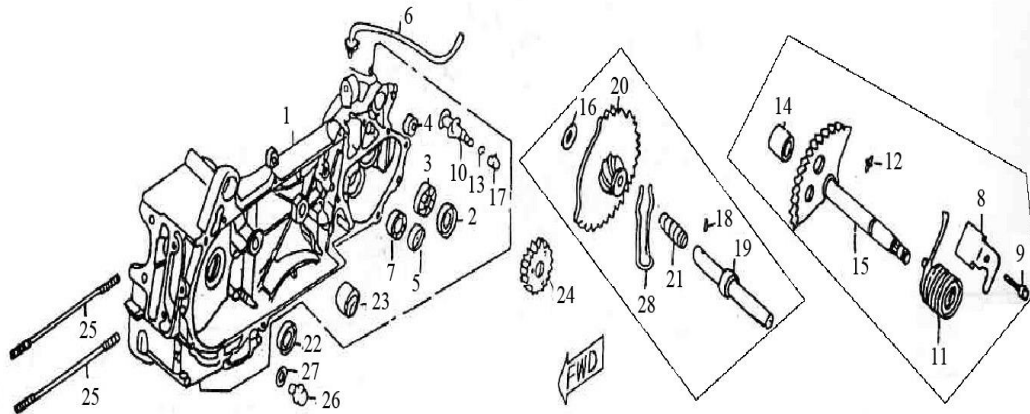
序号	图号及条形码	中文名称	英文名称	unit
No	Part no	Chinese	Description	Qty
1	BN152QMI-0301000	气缸	CYLINDER	1
2	GB5787-1986	螺栓M6×20	BOLT M6×20	2
3	BN152QMI-0302000	链条调整器组	CHAIN ADJUSTER ASSY	1
4	BN152QMI-0300001	链条调整垫片	GASKET CHAIN ADJUSTER	1
5	BN152QMI-0300002	拉力杆螺钉	CAM CHAIN SCREW	1
6	BN152QMI-0300003	O环15.2×1.5	O-RLING 15.2×1.5	1
7	BN152QMI-0303000	链条张紧杆	TENSION ROD CHAIN	1
8	BN152QMI-0304000	凸轮轴内链条	CHAIN CAM	1
9	BN152QMI-0305000	链条导杆	GUIDE COMP CHAIN	1
10	BN152QMI-0200001	定位销10×16	PIN DOWEL 10×16	2
11	BN152QMI-0000002	汽缸垫片	GASKET CYLINDER	1
12	BN152QMI-0302001	9.5*1.50形环	9.5*1.5 o ring	1

E-4 曲轴·连杆·活塞组件
Crankshaft·Connecting Rod·Piston



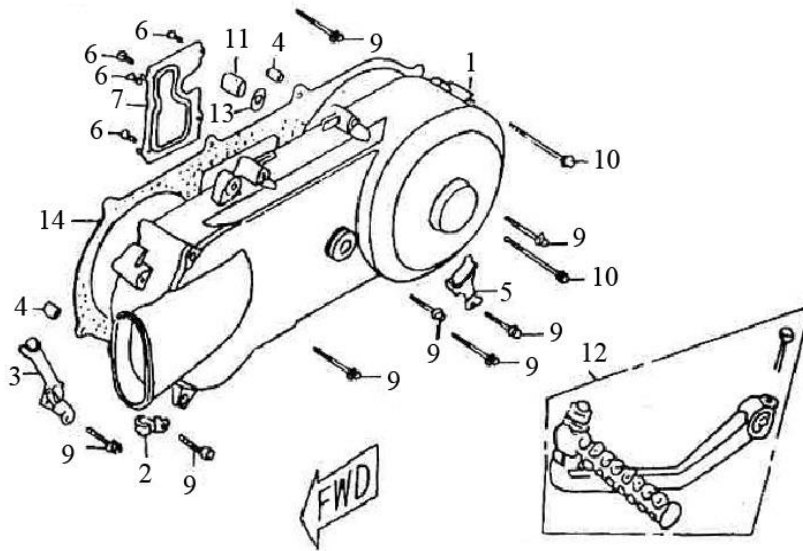
序号	图号及条形码	中文名称	英文名称	unit	
No	Part no	Chinese	Description	Qty	
1	BN152QMI-0900001	活塞	PISTON	1	
2	BN152QMI-0900007	活塞环组件	piston ring .comp	1	
3	BN152QMI-0900004	活塞销夹	CLIP PISTON PIN	2	
4	BN152QMI-0900005	活塞销	PISTON PIN	1	
5	BN152QMI-0902000	曲轴连杆组合(曲轴)	CRANKSHAFT CONNECTING-ROD ASSY	1	
6	BN152QMI-0900006	头圆键	WOODRUFF KEY	2	

E-5 左曲轴箱体组 Crankcase



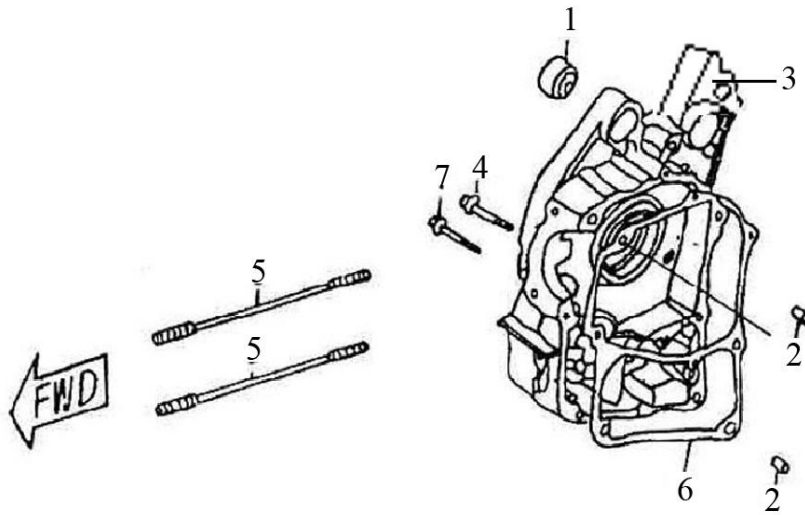
序号	图号及条形码	中文名称	英文名称	unit
No	Part no	Chinese	Description	Qty
1	BN152QMI-0601000	左曲轴箱体组(长)	CRANDCASE ASSY-L(long)	1
2	BN152QMI-0600001	油封27×42×7	OIL SEAL 27×42×7	1
3	GB292-83	轴承6004	BEARING RADIAL BALL6004	1
4	BN152QMI-0602000	减震套组	SHOCK ABSORBER TUBE	1
5	GB292-83	轴承6002	BEARING RADIAL BALL 6002	1
6	BN152QMI-0603002	通气管组	TUBE BREATHER ASSY	1
7	GB292-83	轴承6301	BEARING RADIAL ALL 6301	1
8	BN152QMI-0600002	起动杆回位制止板	PLATE KICK RETURN STOPPER	1
9	GB5787-1986	螺栓M6×14	BOLT M6×14	1
10	BN152QMI-0604000	刹车鼓固定销组	PIN BRAKE SHOE ANCHOR ASSY	1
11	BN152QMI-0600003	起动弹簧	SPRING KICK STARTER	1
12	BN152QMI-0600004	物殊销	PIN SPECIAL	1
13	BN152QMI-0600005	O环7.5×1.5	O RING 7.5×1.5	1
14	BN152QMI-0600006	衬套	BUSH	1
15	BN152QMI-0605000	起动抓(起动轴)	GRASP KICK STARTER DRIVE	1
16	BN152QMI-0600007	垫圈	WASH12.5	1
17	GB5789-86	自锁六角法兰面螺母 M8	NUT M8	1
18	GB119-86	销B3×8	PIN B3×8	1
19	BN152QMI-0600009	起动惰轮驱动组轴(起动惰轮驱动轴)	SHAFT STARTER IDLE	1
20	BN152QMI-0606000	起动惰轮组	GEAR COMP STARTER IDLE ASSY	1
21	BN152QMI-0600010	驱动轴弹簧	SPRING STARTER IDLE	1
22	BN152QMI-0600011	油封19.8×30×5	OIL SEAL19.8×30×5	1
23	BN152QMI-0607000	发动机吊架衬套	BUSH	1
24	BN152QMI-0600012	起动从动齿轮	GEAR KICK DRIVEN	1
25	BN152QMI-0600013	双头螺栓 M8X196.5	DOUBLE END STUDS M8X196.5	2
26	BN152QMI-0600015	螺塞	OIL PLUG	1
27	BN152QMI-0600016	放油螺塞M12×1.5×15	OIL PLUG M12×1.5×15	1
28	BN152QMI-0600014	起动摩擦弹簧	SPRING STARTER GEAR FRICTIDN	1

E-6 左曲轴箱盖组 Left Crankcase Cover



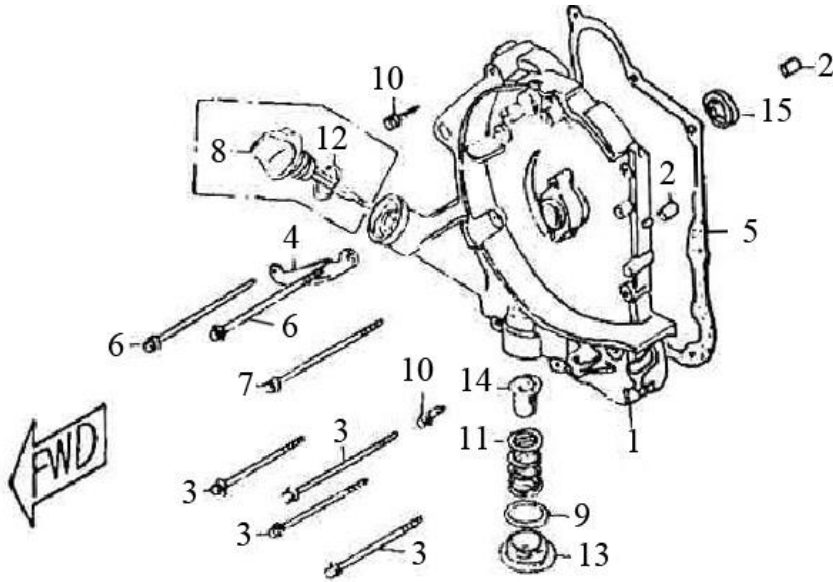
序号	图号及条形码	中文名称	英文名称	unit	
No	Part no	Chinese	Description	Qty	
1	BN152QMI-1600001	左曲轴箱盖(长)	COVER L(long)	1	
2	BN152QMI-1600002	溢流管夹	CLAMPER BREATHERDRAIN TUBE	1	
3	BN152QMI-1601000	节流道线夹	CLAMPER THROTTLE CABLE	1	
4	BN152QMI-1000001	定位销 8X14	PIN DOWEL M8X14	2	
5	BN152QMI-1600004	刹车道线夹	CLAMPER BRAKE CABLE	1	
6	GB845-85	自攻螺钉ST4.2×8-C-H	SCREW ST4.2×8-C-H	4	
7	BN152QMI-1600005	通气道板	PLATEL COVER	1	
8	BN152QMI-1600006	固定架	FIXING STAND	1	
9	GB5787-1986	螺栓M6×40	BOLT M6×40	8	
10	GB5787-1986	螺栓M6×65	BOLT M6×65	2	
11	BN152QMI-0600017	起动轴衬套	BUSH RIUKSPINLE	1	
12	BN152QMI-1602000	脚起动踏杆组	ARM ASSY KICK STARER	1	
13	BN152QMI-0600018	起动轴垫圈	WASHER	1	
14	BN152QMI-0000006	左曲轴箱盖垫片	GASKETT LCOVER	1	

E-7 右曲轴箱体组
Crankcase R



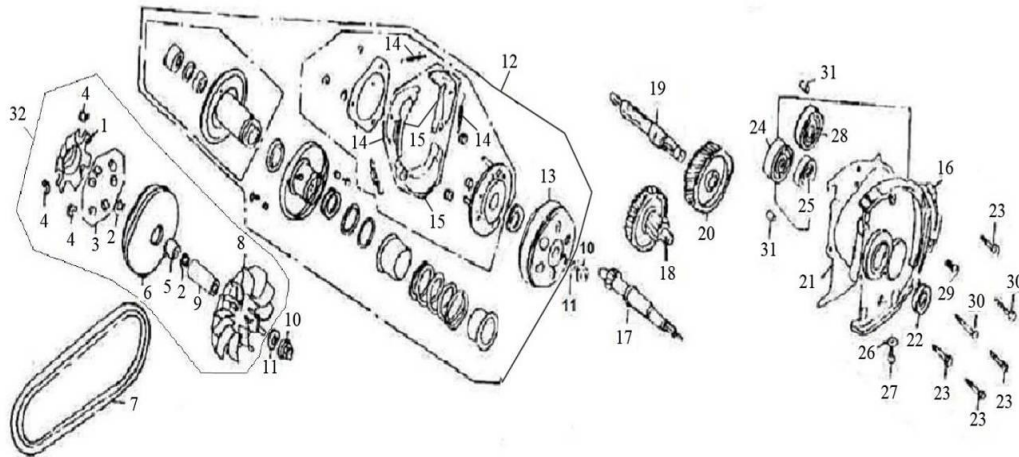
序号	图号及条形码	中文名称	英文名称	unit	
No	Part no	Chinese	Description	Qty	
1	BN152QMI-0607000	发动机吊架衬套	BUSH ENGIN HANGER	1	
2	BN152QMI-1000001	定位销8×14	PIN DOWEL8×14	2	
3	BN152QMI-100200	右曲轴箱体组	CRANKCASE ASSY R	1	
4	GB5787-1986	螺栓M6×50	BOLT M6×50	2	
5	BN152QMI-1000002	双头螺柱 M8X185.5	DOUBLE END STUDS M8X185.5	2	
6	BN152QMI-0000004	右曲轴箱垫片	GASKET CRANDCASER	1	

E-8 右曲轴箱盖组 Right Crankcase Cover



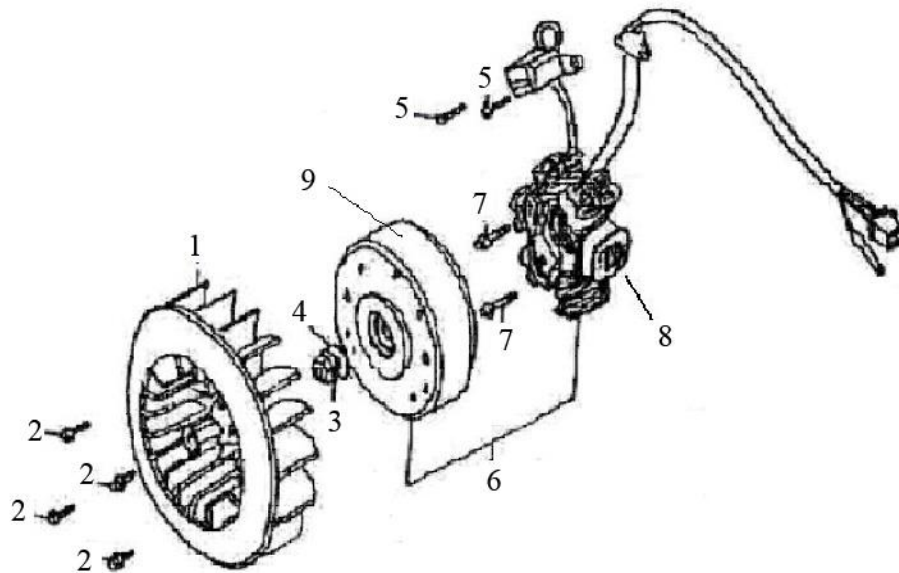
序号	图号及条形码	中文名称	英文名称	unit	
No	Part no	Chinese	Description	Qty	
1	BN152QMI-1300001	右曲轴箱盖	COVER R CRANKCASE COMP	1	
2	BN152QMI-1000001	定位销 8X14	PIN DOWEL 8X14	2	
3	GB5787-1986	螺栓M6×95	BOLT M6×95	4	
4	BN152QMI-1300003	磁电机线夹	CLAMPER MAGNETO	1	
5	BN152QMI-0000003	右曲轴箱盖垫片	GASKET R CRANKCASE COVER	1	
6	GB5787-1986	螺栓M6×110	BOLT M6×110	2	
7	GB5787-1986	螺栓M6×100	BOLT M6×100	1	
8	BN152QMI-1300004	机油标尺x3.1	OIL LEVEL STICK	1	
9	BN152QMI-1300007	O环30.8	O RING30.8x3.1	1	
10	GB5787-1986	螺栓M6×32	BOLT M6×32	2	
11	BN152QMI-1300006	滤油网弹簧	SPRING OIL FILTER MESH	1	
12	BN152QMI-1300005	O环18×3	O RING18×3	1	
13	BN152QMI-1300008	滤油风螺帽盖	CAP OIL FILTER	1	
14	BN152QMI-1301000	滤油网	MESH OIL FILTER	1	
15	BN152QMI-1300009	油封19.8×30×5	OIL SEAL19.8×30×5	1	

E-9 传动系统 Transmission



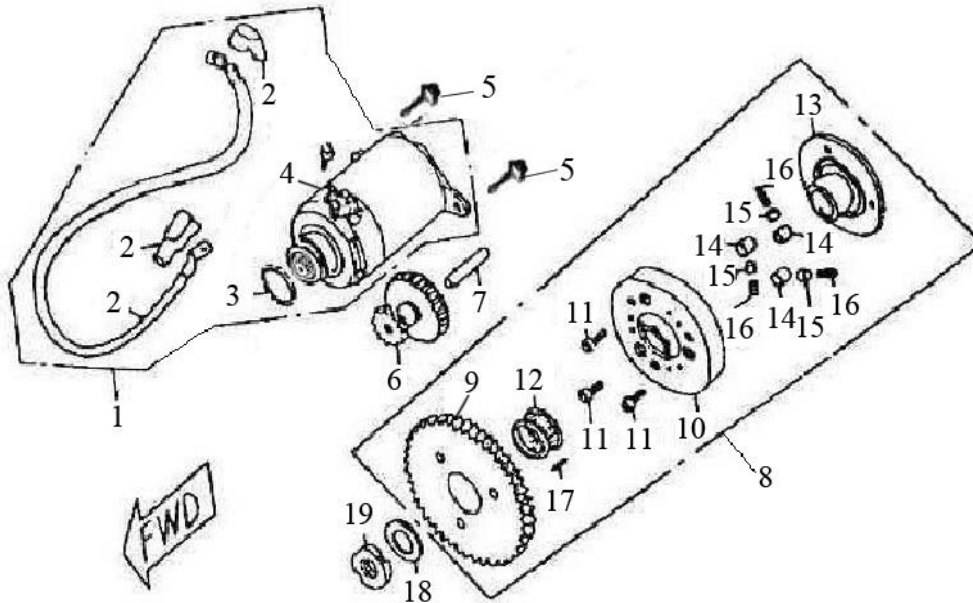
序号	图号及条形码	中文名称	英文名称	unit
No	Part no	Chinese	Description	Qty
1	BN152QMI-1501001	斜坡板	PLART RAMP	1
2	BN152QMI-1501002	环夹	CLIP	2
3	BN152QMI-1501003	配动滚子	ROLLER SET WEIGHT	6
4	BN152QMI-1501004	斜坡板边件	PIECE SLIDE	3
5	BN152QMI-1501005	套筒	COLLAR DRIVE FACE	1
6	BN152QMI-1501006	滑动式驱动盘	FACE COMP MOVABLE DRIVE	1
7	BN152QMI-1500006	驱动皮带	BELT DRIVE	1
8	BN152QMI-1501007	驱动皮带扇风盘	FACE DRIVE	1
9	BN152QMI-1501008	衬套	BOSS DRIVE FACE	1
10	GB6181-86	螺母M12×1.25	NUT M12×1.25	2
11	BN152QMI-1500009	垫圈 φ12.2X19X2.5	WASHER φ12.2X19X2.5	2
12	BN152QMI-1502000	从动皮带轮组(从动轮)	PULLEY ASSY DRIVEN	1
13	BN152QMI-1502001	离合器外套	OUTER CLUTCH	1
14	BN152QMI-1502002	离合器弹簧	Spring clutch	3
15	BN152QMI-1502003	离合器配重	Weight set clutch	3
16	BN152QMI-1504003	齿轮室盖	GEAR BOX CASE	1
17	BN152QMI-1500010	输入轴	INPUT SHAFT	1
18	BN152QMI-1505002	副轴组(中间齿)	MID GEAR	1
19	BN152QMI-1500011	输出轴	OUTPUT SHAFT	1
20	BN152QMI-1500012	最终齿	FINAL GEAR	1
21	BN152QMI-0000005	齿轮纸垫	PAPER CUSHION GEAR	1
22	BN152QMI-1504001	油封20×32×6	OIL SEAL20×32×6	1
23	GB5787-1986	螺栓M6×28	BOLT M6×28	4
24	GB292-83	轴承6204	BEARING RADIAL BALL 6204	1
25	GB292-83	轴承6202	BEARING RADIAL BALL 6202	1
26	GB95-85-8	垫圈8	WASHER 8	1
27	GB5787-1986	螺栓M8×12	BOLT M8×12	1
28	GB292-83	轴承6203	BEARING RADIAL BALL6203	1
29	BN152QMI-1504002	特殊螺母M8×12	BOLT SPECIAL M8×12	1
30	GB5787-1986	螺栓M6×35	BOLT M6×35	1
31	BN152QMI-1000001	定位销8×14	PIN DOWEL8×14	2
32	BN152QMI-1501000	主动轮组件(主动轮)	driver wheel groupware	1

E-10发电机 Generator



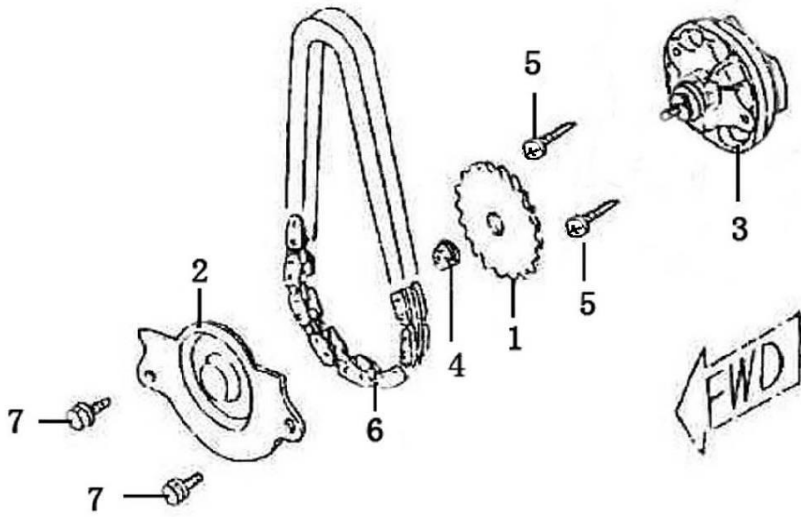
序号	图号及条形码	中文名称	英文名称	unit	
No	Part no	Chinese	Description	Qty	
1	BN152QMI-1101000	冷却风扇	FAN COMP COOLING	1	
2	GB5787-1986	螺栓M6×18	BOLT M6×18	4	
3	BN152QMI-1100001	螺母M12X1.25	NUT M12X1.25	1	
4	BN152QMI-1100002	垫圈φ12X2.5	WASHER φ12X2.5	1	
5	GB5787-1986	螺栓M5×12	BOLT M5×12	2	
6	BN152QMI-1102000	磁电机组	MAGNETO ASSY	1	
7	GB5787-1986	螺栓M6×22	BOLT M6×22	2	
8	BN152QMI-1102001	磁电机定子(磁电机线圈)	STATOR,GENERATOR	1	
9	BN152QMI-1102002	磁电机转子(磁缸)	ROTOR,GENERATOR	1	

E-11 起动电机组 Starting Motor



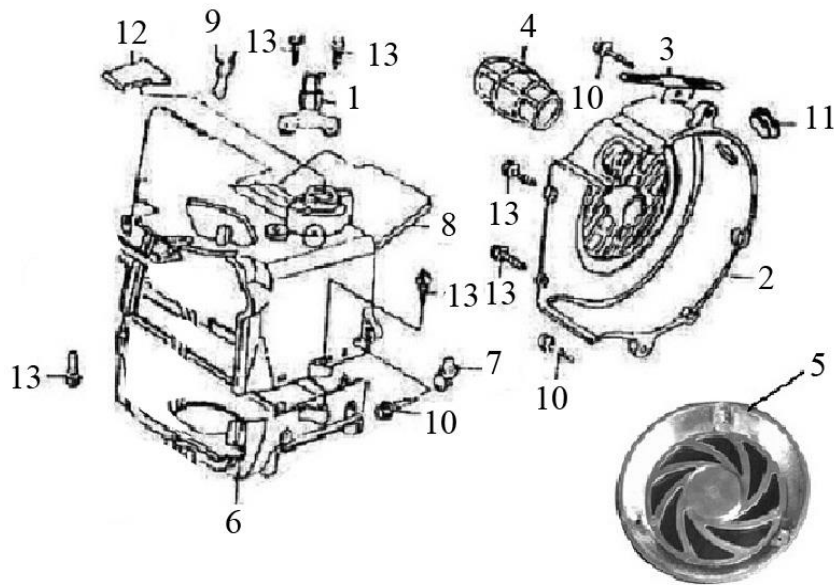
序号	图号及条形码	中文名称	英文名称	unit	
No	Part no	Chinese	Description	Qty	
1	BN152QMI-1201000	起动电机组(马达)	STARTING MOTOR ASSY	1	
2	BN152QMI-1201002	起动电机导线	CABLE STARTING MOTOR	1	
3	BN152QMI-1201003	O环	O-RING	1	
4	BN152QMI-1201001	起动电机	STARTING MOTOR	1	
5	GB5787-1986	螺栓M6×16	BOLT M6×16	2	
6	BN152QMI-1200001	起动减速齿轮	GEAR STARTER REDUCTION	1	
7	BN152QMI-1200002	起动减速齿轮轴	SHAFT STARTER REDUCTION GEAR	1	
8	BN152QMI-1202000	超越离合器组	CLUTCH ASSY	1	
9	BN152QMI-1202001	离合器星轮组	GEAR CLUTCH ASSY	1	
10	BN152QMI-1202002	离合器外圈组	OUTER COMP CLUTCH ASSY	1	
11	GB70-85	螺钉M6×12	SCREW M6×12	3	
12	BN152QMI-1202003	滚针轴承	BEARING NEEDLE	1	
13	BN152QMI-1202004	离合器凸缘	FLANGE CLUTCH ASSY	1	
14	BN152QMI-1202005	滚柱	ROLLER	3	
15	BN152QMI-1202006	弹簧套	CAP STARING CLUTCH SPRING	3	
16	BN152QMI-1202007	起动离合器滚柱弹簧	SPRING STARTING CLUTCH ROLLER	3	
17	BN152QMI-1202008	定位销8X14	PIN DOWEL 8X14	1	
18	BN152QMI-1200003	垫圈	WASHER	1	
19	BN152QMI-1202004	锁定螺母	NUT LOCK	1	

E-12 机油泵 Oil Pump



序号	图号及条形码	中文名称	英文名称	unit	
No	Part no	Chinese	Description	Qty	
1	BN152QMI-1400001	驱动链轮 (机油泵链轮)	SPROCKET DRIVE	1	
2	BN152QMI-1400002	机油泵隔离板	SEPARATOR OIL	1	
3	BN152QMI-1401000	机油泵组	PUMP ASSY OIL	1	
4	GB6117-86	螺母M6	NUT M6	1	
5	GB5787-1986	螺栓M6×25	BOLT M6×25	2	
6	BN152QMI-1400003	机油泵驱动链条	CHAIN OIL PUMP	1	
7	GB5787-1986	螺栓M6×12	BOLT M6×12	2	

E-13 风扇盖·引擎罩盖
Fan Cover·Shroud



序号	图号及条形码	中文名称	英文名称	unit	
No	Part no	Chinese	Description	Qty	
1	BN152QMI-0501000	通气管夹	CLAMPER BREATHER TUBE	1	
2	BN152QMI-0502000	风扇导风罩	BUST SHROUD	1	
3	BN152QMI-0500001	起动电机导线夹	CLAMPER STARTER CABLE	1	
4	BN152QMI-0500002	风扇罩通气管	aerate pipe	1	
5	BN152QMI-0504000	风扇罩装饰盖	decorate cover.fan cowling	1	
6	BN152QMI-0500004	罩盖A(A罩)	SHROUD COMP A	1	
7	BN152QMI-0500009	溢油管夹	CLAMPER OVERFLOW TUBE	1	
8	BN152QMI-0503000	罩盖B(B罩)	SHROUD COMP B	1	
9	BN152QMI-0500006	高压线夹	CLIP HIGH TENSION CORD	1	
10	GB5787-1986	螺栓M6×25	BOLT M6×25	3	
11	BN152QMI-0500008	橡皮塞A	GROMMET SHROUD A	1	
12	BN152QMI-0500010	橡皮塞B	GROMMET SHROUD B	1	
13	GB845-85	螺钉ST4.8×13-C-H	SCREW TAPPINGST4.8×13-C-H	6	