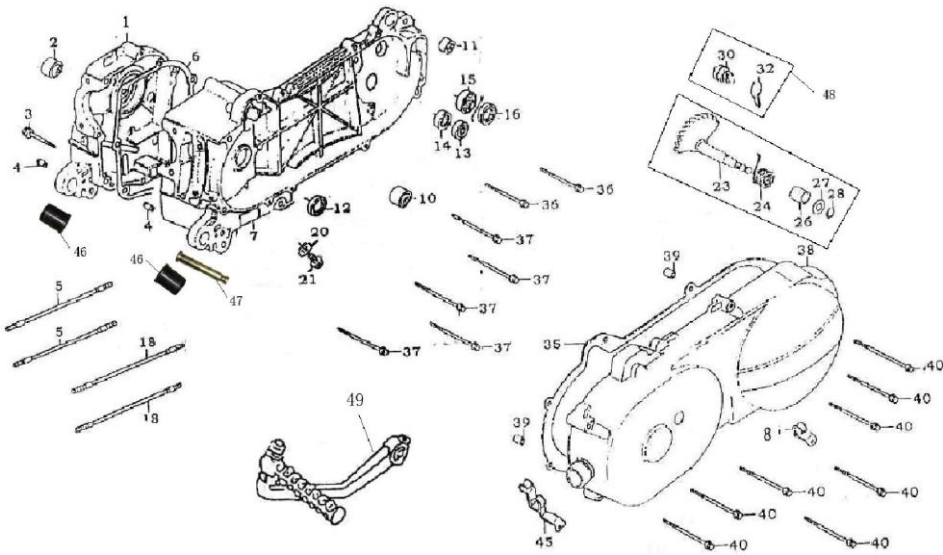


50CC LONG ENGINE

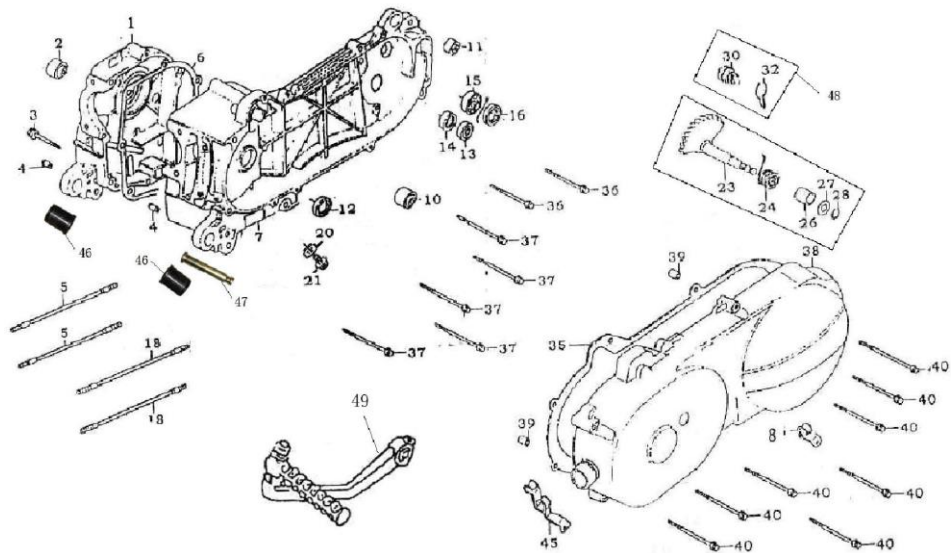


E-1 Crank case



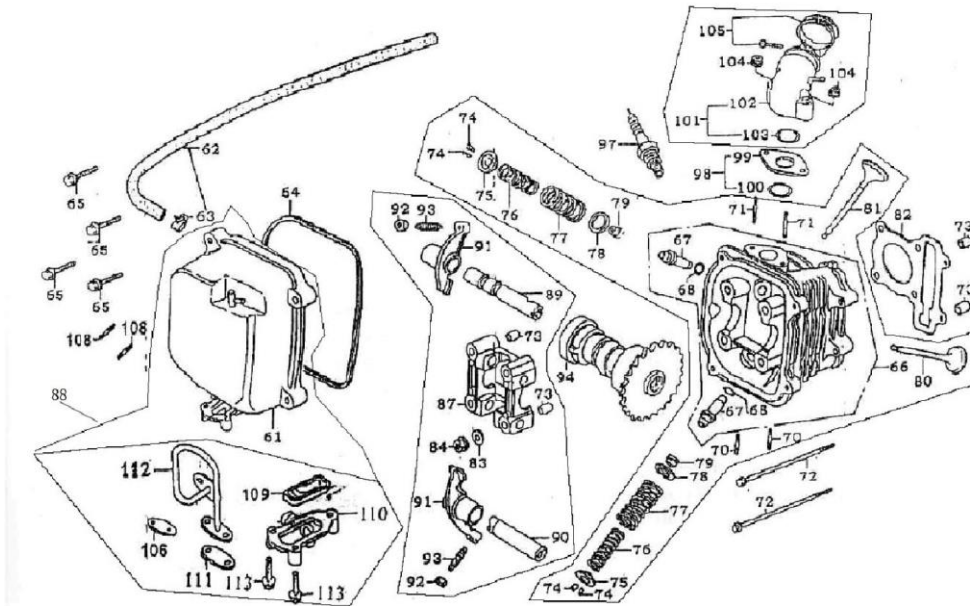
序号	图号	英文名称	数量
No	part no	Description	Qty
1	50/036	Crank case comp right	1
2	50/049.1	Rub bush eng hanger	1
3	GB5787-86	Bolt flange sh M6X45	1
4	50/054.1	Dowel pin 8X14	2
5	50/021.1	Bolt A stud 7X168	2
6	50/053.1	Gasket crank case	1
7	50/037-1	Crank case comp left	1
8	50/054.2	Clamper brake cable	1
10	50/049.2	Rub bush eng hanger	1
11	50/049.3	Under rubber bush RR cushion	1
12	50/050.1	Oil seal 19.8X30X5	1
13	50/012	Bearing ball radial 6203	1
14	50/011	Brg ball racial 6201	1
15	50/012	Brg ball racial 6303 SPC	1
16	50/050.2	Oil seal 17X30X6	1
18	50/021.2	Bolt B stud 7X176	2
20	50/054.3	Washer A 12	1
21	GB5787-86	Bolt assy drain plug	1
23	50/009.1	Spindle comp kick starter	1
24	50/047	Spring kick return	1

E-2 Crank case 曲轴箱



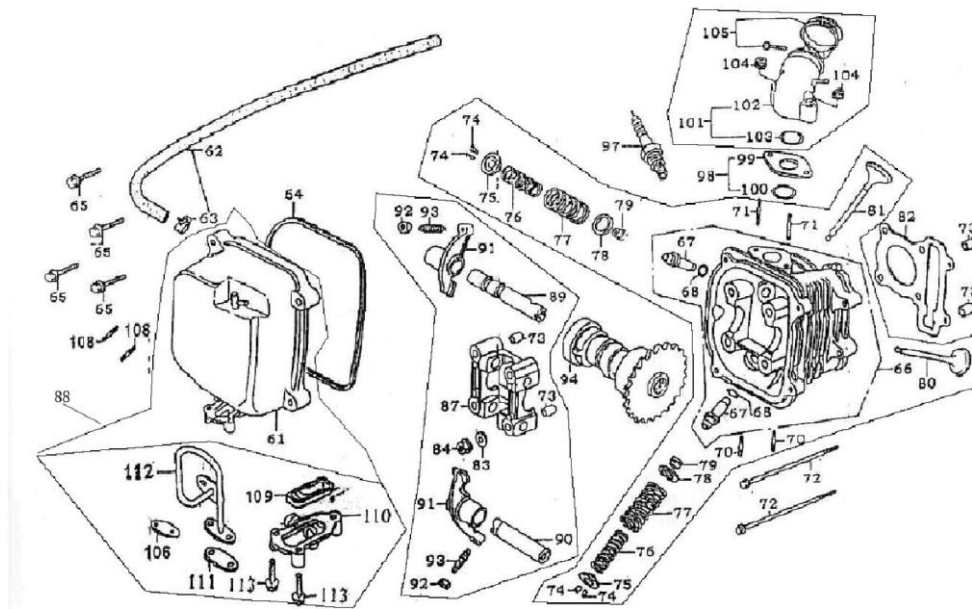
序号	图号	英文名称	数量
No	part no	Description	Qty
26	50/009.2	Bush kick spindle	1
27	50/054.5	Washer kick spinkle	1
28	50/054.6	Circlip EX 14	1
30	50/007.1	Gear comp kick driven	1
32	50/007.3	Spg kick driven gear	1
35	50/053.2-1	Gasket L cover	1
36	GB5787-86	Bolt flange M8X35	2
37	GB5787-86	Bolt flange M8X40	5
38	50/052-1	engine cover	1
39	50/054.7	Dowel pin 8X14	2
40	GB5787-86	Bolt flange M6X35	9
45	50/054.8	Clapper throttle cable	1
46	50/056	main stand axis bush	2
47	50/057	main stand spring bush	1
48	50/007	starting claw	1
49	50/008	starting level	1

E-3 Cylinder head cover & Cylinder head 气缸头盖&气缸头



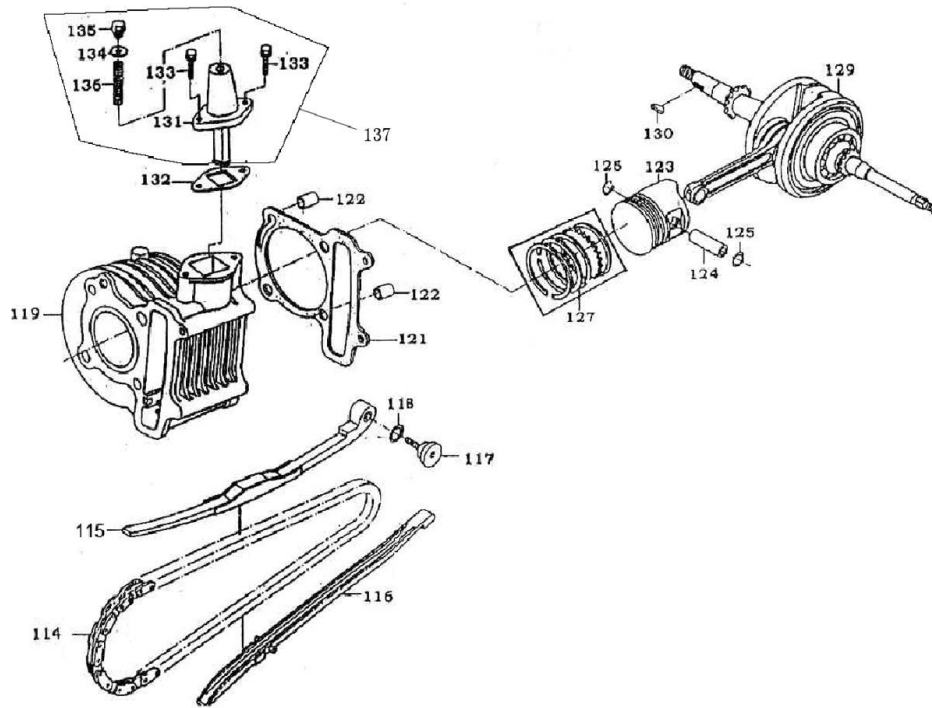
序号 No	图号 part no	英文名称 Description	数量 Qty
61	50/035.1	cylinder head cover	1
62	50/035.2	Tube breather	1
63	50/035.3	Clip B8 tube	1
64	50/055.1	Gasket head cover	1
65	GB5787-86	Bolt flange SH M6X25	4
66	50/004.1	Head comp CYLN	1
67	50/004.1-1	Guide valve	2
68	50/004.1-2	O-ring 9X1.6	2
70	GB901-86	Bolt stud M6X32	2
71	GB901-86	<b>Bolt stud M6X60</b>	2
72	GB5787-86	Bolt flange M6X85	2
73	50/054.9	Fin dowel special 8X14	4
74	50/004.2	Cotter valve	4
75	50/004.3	Retainer valve spring	2
76	50/004.4-1	Spring valve inner	2
77	50/004.4-2	Spring valve outer	2
78	50/004.5	Seat valve spring outer	2
78	50/055.2	Seal valve stem	2
80	50/030	Valve exhaust	1
81	50/031	Valve inlet	1

E-4 Cylinder head cover & Cylinder head 气缸头盖&气缸头



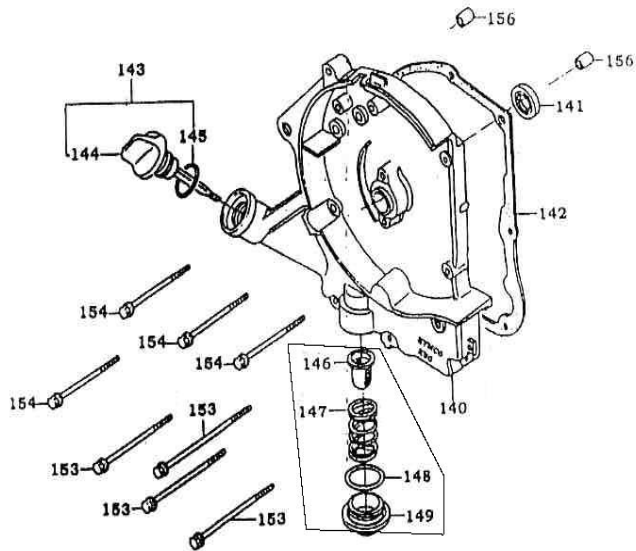
序号 No	图号 part no	英文名称 Description	数量 Qty
82	50/025	Gasket cylinder head	1
83	50/054.10	Washer sealing 7	4
84	50/054.11	Nut flange M7	4
87	50/028.1	Holder cam shaft	1
88	50/035	cylinder head cover groupware	1
89	50/028.2	Shaft comp in rocker arm	1
90	50/028.3	Shaft exh rocker arm	1
91	50/028.4	Arm valve rocker	2
92	50/028.5	Nut tappet adjusting	2
93	50/028.6	Screw tappet adjusting	2
94	50/022	Shaft comp cam	1
97	50/051	Spark plug (NGK C7HSA)	1
98	50/045	Insulator carburetor assy	1
99	50/045.1	Insulator carburetor	1
100	50/045.2	O ring 20.6X1.9	1
101	50/041	Pipe assy inlet	1
102	50/041.1	Pipe comp inlet	1
103	50/041.2	O ring 20.6X1.9	1
104	GB6177-86	Unt flange M6	2
105	50/041.3	carburetor hoop	1
106	50/035.4	Gasket carburetor insulator	1
108	GB5787-86	Bolt flanger M6X18	2
109	50/035.5	Reed valve comp	1
110	50/035.6	Cover reed valve	1
111	50/035.7	Gakt A/I pipe	1
112	50/035.8	Pipe comp air	1
113	GB5787-86	Bolt flanger M6X35	2

E-5 Cylinder & Piston & Crankshaft 汽缸&活塞&曲轴



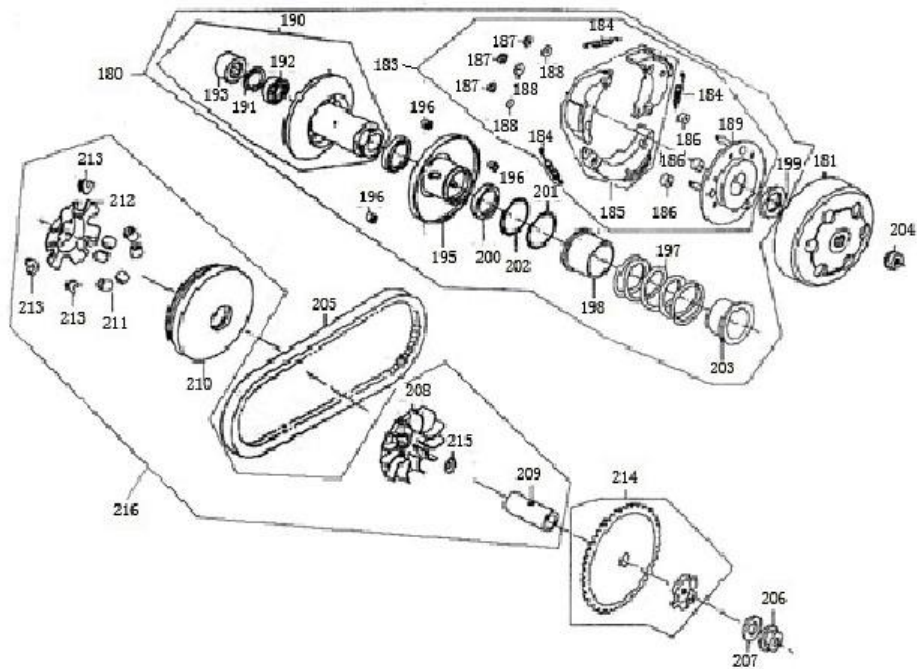
序号 No	图号 part no	英文名称 Description	数量 Qty
114	50/020	Chain cam	1
115	50/029.1	Tensioner cam chain	1
116	50/029.2	Guide comp can chain	1
117	50/054.12	Pivot cam chain tensioner	1
118	50/055	O-ring 15.5x1.5	1
119	50/002	Cylinder comp	1
121	50/053.3	Gasket cylinder	1
122	50/054.13	Pin dowel 8x14	2
123	50/023	Piston	1
124	50/024	Pin piston	1
125	50/023.1	Piston pin clip	2
127	50/048	Ring set piston	1
129	50/019.1	Crank shaft comp	1
130	50/019.2	Key woodruff	1
131	50/032.1	Adjuster cam chain	1
132	50/053.4	Gasket cam chain adjuster	1
133	GB5787-86	Bolt flange M6X18	2
134	50/032.2	Washer sealing 8X16X1.6	1
135	50/032.3	Plug adjuster	1
136	50/032.4	Spring cam chain adjuster	1
137	50/032	Adjuster cam chain assy	1

E-6 Right crankcase cover 右曲轴箱盖



序号	图号	英文名称	数量
No	part no	Description	Qty
140	50/033	Cover R crank case	1
141	50/050.3	Oil seal 16.4x30x5	1
142	50/053.5	Gasket R cover	1
143	50/046	Gauge oil level assy	1
144	50/046.1	Gauge oil level	1
145	50/046.2	O-ring 18x3	1
146	50/040.1	Screen oil filter	1
147	50/040.2	Spg oil filter screen	1
148	50/050	O-ring 30x3	1
149	50/040.3	Cap oil filter	1
153	GB5787-86	Bolt flange SH M6X100	4
154	GB5787-86	Bolt flange M6X85	4
156	50/054.14	Bowel pin 8x14	2

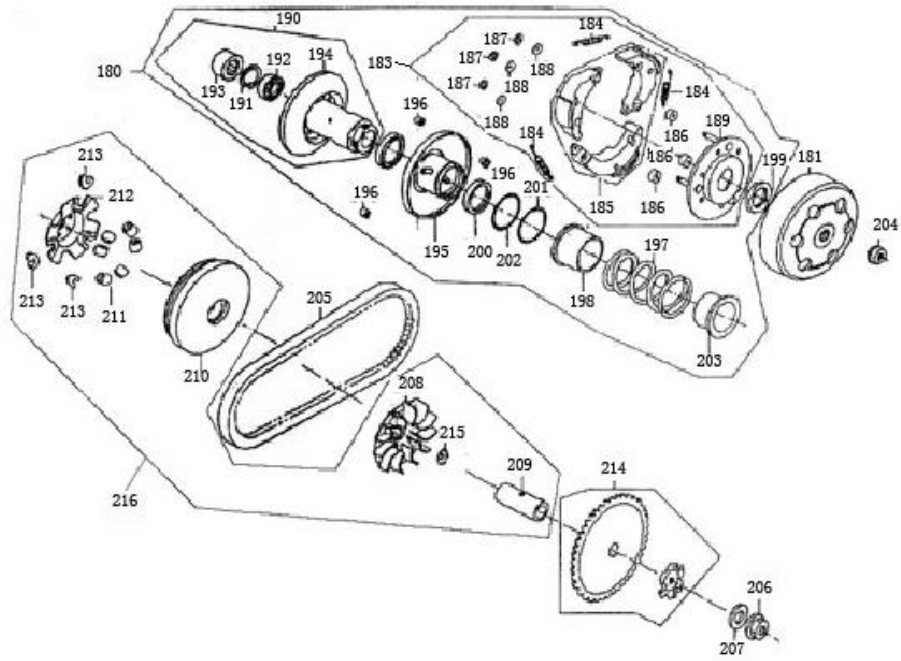
E-7 Driven pulley 传动皮带轮



序号	图号	英文名称	数量
No	part no	Description	Qty
180	50/001	Plate sub assy driven	1
181	50/001.1	Clutch outer	1
183	50/001.2	Plate assy drive	1
184	50/001.3	Spring clutch	3
185	50/001.4	Weight set clutch	1
186	50/001.5	Rubber clutch dumper	3
187	50/001.6	Thrust washer 6	3
188	50/001.7	Circlip 6	3
189	50/001.8	Face assy driven	1
190	50/001.9	Face comp driven h1	1
191	50/001.13	Circlip in 24	1
192	50/001.10	Brg rakeal ball	1
193	50/001.11	Brg needle 17x25x18	1
195	50/001.14	Face comp movable driven	1
196	50/001.15	Pin guide	3
197	50/001.16	Spc driven face	1
198	50/001.17	Collar seal	1
199	50/001.18	Nut special M28	1
200	50/001.19	Oil seal 34x39x3	12

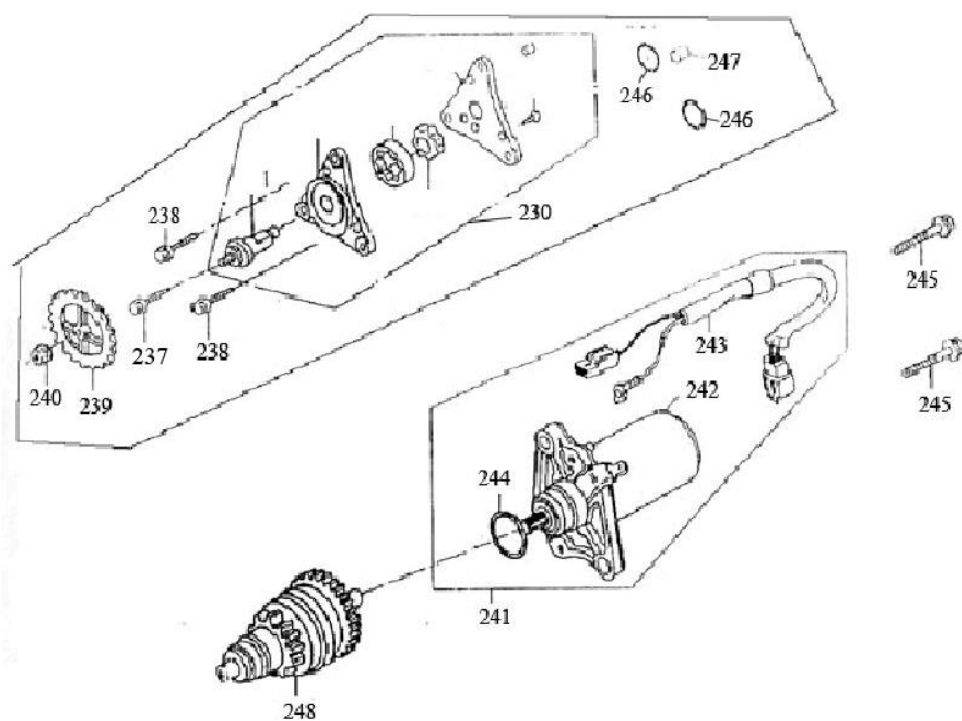


E-8 Driven pulley 传动皮带轮



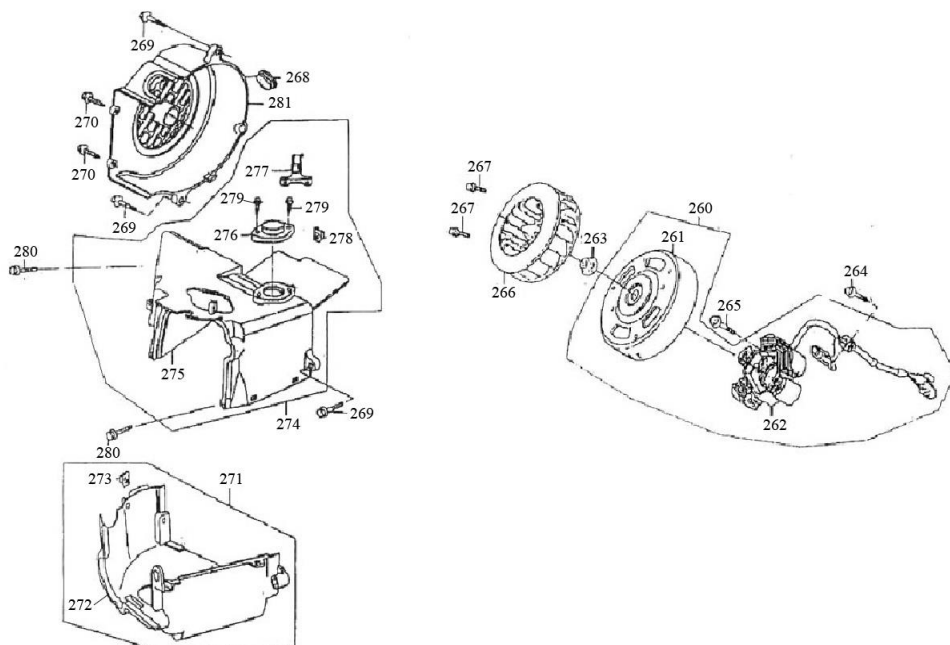
序号 No	图号 part no	英文名称 Description	数量 Qty
201	50/001.20	O-ring 36x1.5	1
202	50/001.21	O-ring 39.8x2.2	1
203	50/001.22	Collar SPG	1
204	GB6170-86	Nut flange M10	1
205	50/018-1	Belt drive	1
206	GB6170-86	Nut hex M12	1
207	50/003.1	Washer special 12	1
208	50/003.2	Face drive	1
209	50/003.3	Boss drive face	1
210	50/003.4	Face comp movable drive	1
211	50/003.5	Roller comp weight	6
212	50/003.6	Plate ramp	1
213	50/003.7	Plate ramp rubber	3
214	50/003.8	Face drive	1
215	50/003.9	Ratchet kick starter	1
216	50/003	driver fear	1

E-9 Starting motor & Oil pump 启动马达&机油泵



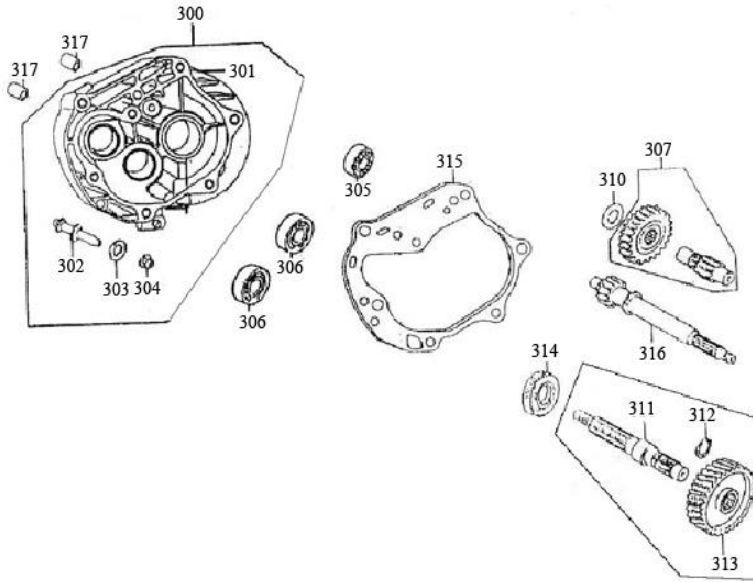
序号	图号	英文名称	数量
No	part no	Description	Qty
230	50/027	Pump assy oil	1
237	GB5787-86	Bolt flange SH M6X25	1
238	GB5787-86	Bolt flange SH M6X20	2
239	50/044	Gear oil pump driven	1
240	GB6170-86	Nut flange M6	1
241	50/006	Motor assy start	1
242	50/006.1	Motor unit start	1
243	50/006.2	Sub harness	1
244	50/006.3	O-ring	1
245	GB5787-86	Bolt flange SH M6X25	2
246	50/027.9	O-ring 9x1.6	2
247	50/027.10	Dowel pin 8X10	1
248	50/026	clutch	1

E-10 Fan cover & GENERATOR 风扇盖&发电机



序号	图号	英文名称	数量
No	part no	Description	Qty
260	50/006	Generator assy	1
261	50/006.1	Flywheel comp	1
262	50/006.2	Stator comp	1
263	GB6177-86	Nut flange M1 0	1
264	GB5787-86	Bolt hex M5X12	2
265	GB5787-86	Bolt flange SH M6X22	2
266	50/038	Fan comp coling	1
267	GB5787-86	Bolt flange SH M6X16	4
268	50/039.1	Grom B side pnl	1
269	GB5787-86	Bolt flange SH M6X25	3
270	GB/T9456-1998	Screw tapping ST4.8X16	2
271	50/042	Shroud assy A	1
272	50/042.1	Shroud comp A	1
273	50/042.2	Nut clip 6	1
274	50/043	Shroud assy B	1
275	50/043.1	Shroud comp B	1
276	50/043.2	Box tensioner lifter	1
277	50/043.3	Clip vacuum tube	1
278	50/043.4	Nut clip 4.8	1
279	GB/T9456-1998	Screw tapping ST4.2X12	2
280	GB5787-86	Bolt flange SH M6X16	2
281	50/039.2	Cover assy fan	1

E-11 Transmission 传动系



序号	图号	英文名称	数量
No	part no	Description	Qty
300	50/034	Case set mission	1
301	50/034.1	Mission case body	1
302	50/034.2	Pin brake shoe anchor	1
303	50/034.3	O-ring 7.5x1.5	1
304	GB6177-86	Nut flange M8	1
305	50/013	BRG ball radial 6004 UU	1
306	50/011	BRG ball radial 6201	2
307	50/014	Shaft comp counter	1
310	50/054.16	Washer side	1
311	50/015	Shaft final	1
312	GB/T894.1-1986	Circlip EX 20	1
313	50/017	Gear final	1
314	50/050.4	Oil seal 27X42X7	1
315	50/053.6	Gasket mission case	1
316	50/016	Shaft drive	1
317	50/054.17	Dowel pin 10X20	2