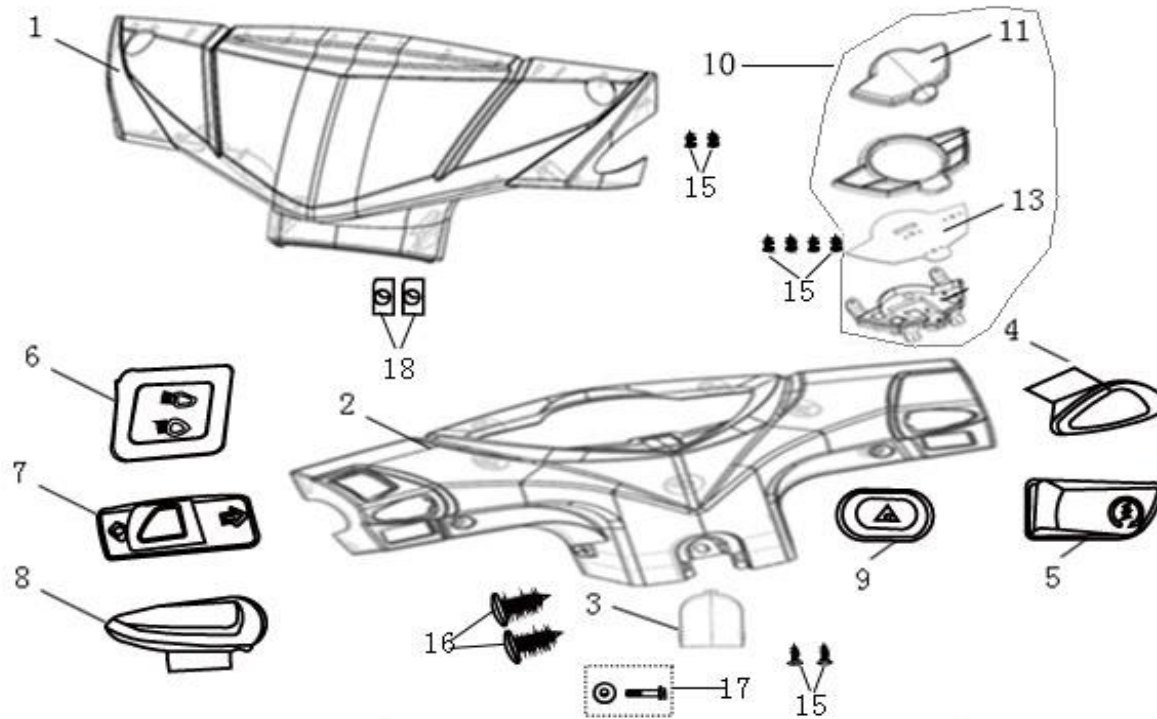


ADAMOTO DERBI ZNEN 125 PARTS CATALOG

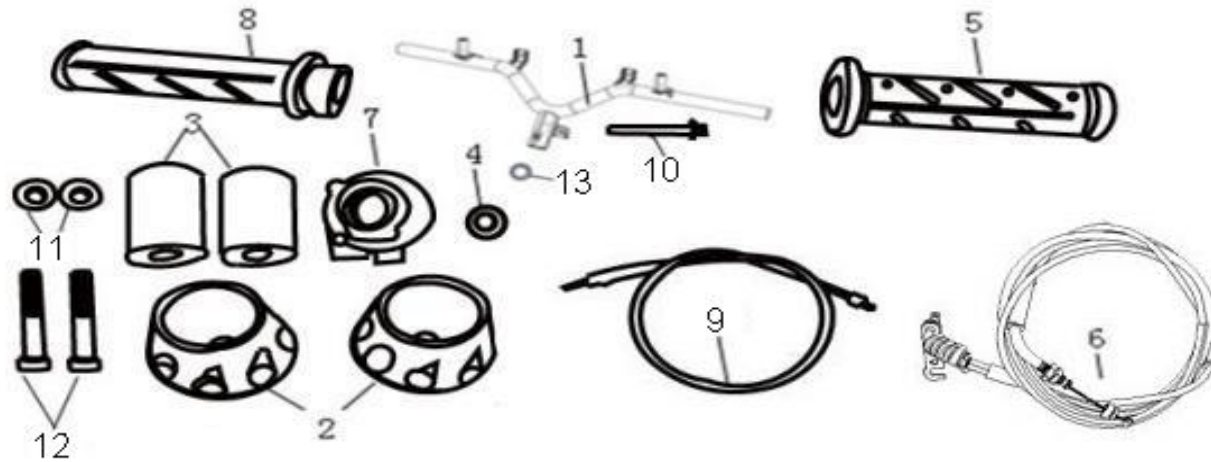




No.	Code	En. name	Qty
1	RY125T-8-01-001	Hood, front part	1
2	RY125T-8-01-002	Hood, rear part	1
3	RY125T-8-01-003	Hood, rear part cover	1
4	RY125T-8-01-004	Engine stop switch(auto switching-on headlamp)	1
5	RY125T-8-01-005	Starting switch	1
6	RY125T-8-01-006	Dimmer switch	1

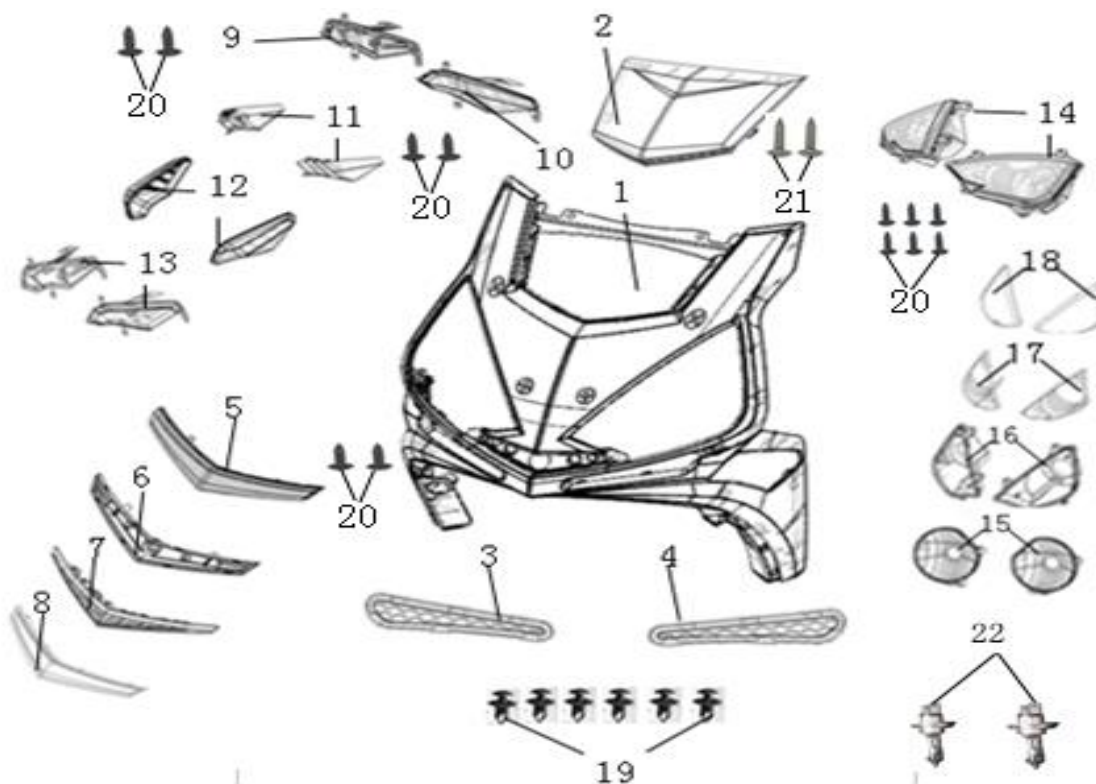
7	RY125T-8-01-007	Turning light switch	1
8	RY125T-8-01-008	Horn switch	1
9	RY125T-8-01-009	Warning switch	1
10	RY125T-8-01-010	Instrument assy	1
11		Instrument lens	
12		Instrument decorative cover	
13		Instrument panel	
14		Instrument pan	
15	RY125T-8-01-015	Tapping screw ST 4.2*12	8
16	RY125T-8-01-016	Tapping screw ST 4.8*12	2
17	RY125T-8-01-017	Bolt, gasket kits	1
18	RY125T-8-01-018	Tapping screw clip	2

F-02:方向把总成 Handlebar assy



No.	Code	En. name	Qty
1	RY125T-8-02-001	Handlebar assy	1
2	RY125T-8-02-002	Handlebar balance block	2
3	RY125T-8-02-003	Handlebar balance block sleeve	2
4	RY125T-8-02-004	Handlebar spacer	1
5	RY125T-8-02-005	Grip L.	1
6	RY125T-8-02-006	Accelerator cable	1
7	RY125T-8-02-007	Fixed seat component, accelerator	1
8	RY125T-8-02-008	THROTTLE CABLE	1
9	RY125T-8-02-010	Instrument cable	1
10	RY125T-8-02-020	Hexagon bolt with flange M10×1.25×45	1
11	RY125T-8-02-021	Hexagon nut with flange M6	2
12	RY125T-8-02-022	Hexagon socket cap screws M6×60	2
13	RY125T-8-02-023	Hexagon locknut with flange M5×41	1

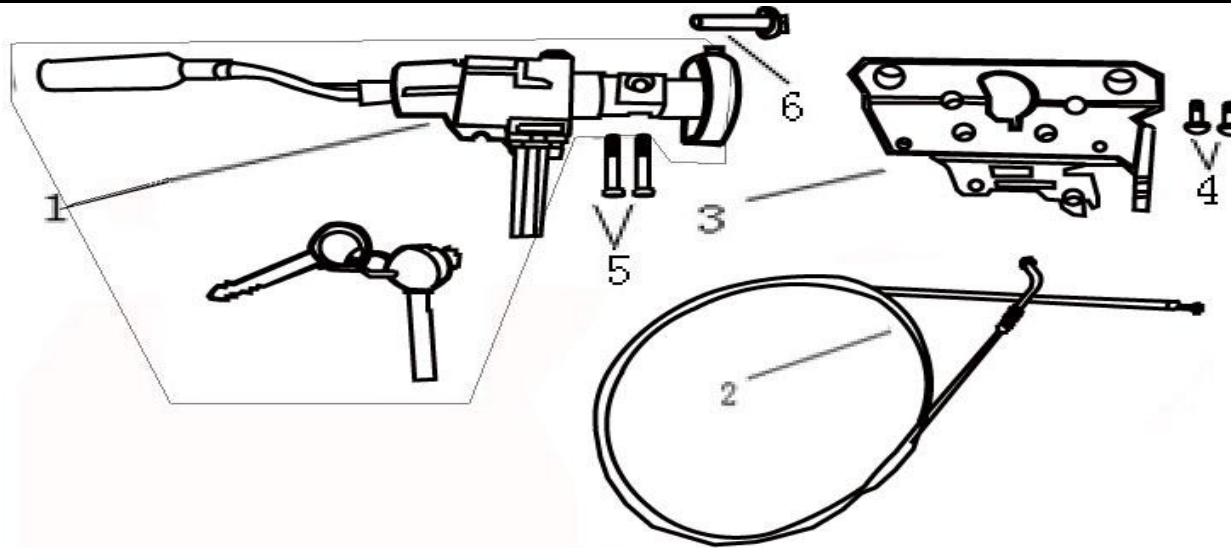
F-03:前大板总成



No.	Code	En. name	Qty
1	RY125T-8-03-001	Fr. cover	1
2	RY125T-8-03-002	Decorative plate, front cover	1
3	RY125T-8-03-003	Air plate R, front cover	1
4	RY125T-8-03-004	Air plate, L, front cover	1
5		Fr. position light assy	
6	DV125T-8-03-005	Fr. position light back shell	1

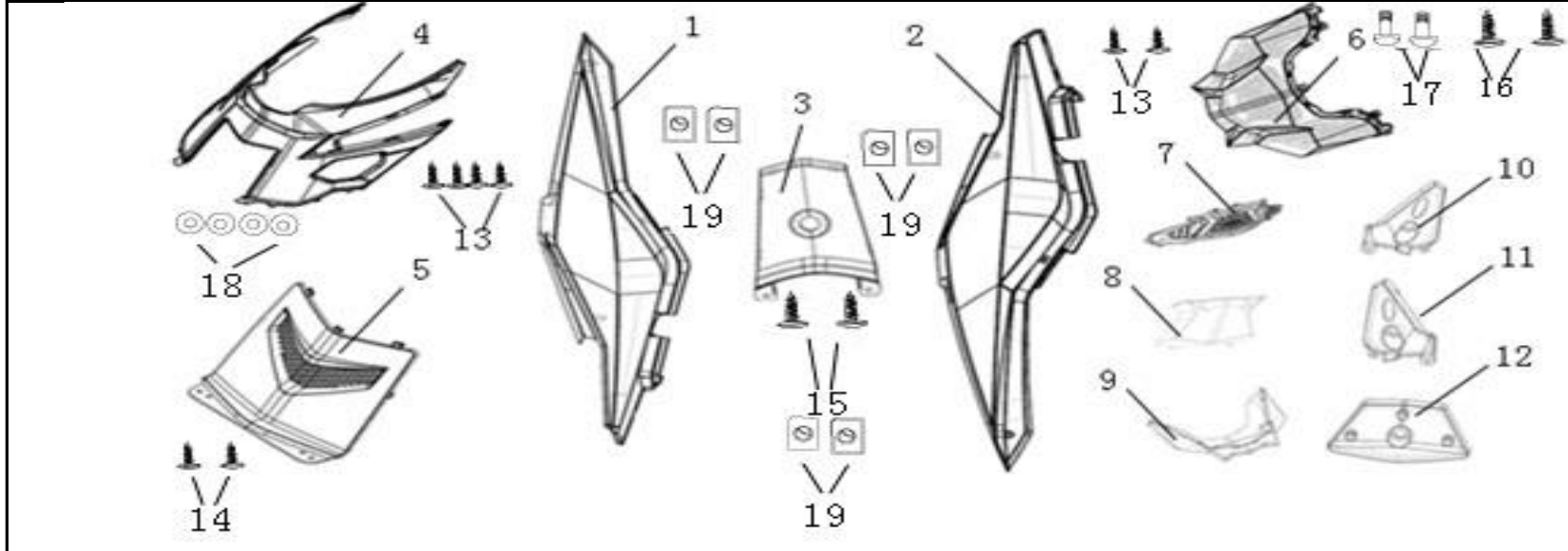
7	RY125T-8-03-008	Fr. position light reflective plate	1
8		Fr. position light cover	
9	RY125T-8-03-009	Fr. turning light assy,R	1
10	RY125T-8-03-010	Fr. turning light assy,L	1
11	RY125T-8-03-011	Fr. turning light reflective plate	2
12	RY125T-8-03-012	Fr. turning light cover	2
13	RY125T-8-03-013	Fr. turning light back shell	2
14	RY125T-8-03-014	Headlight, R	1
15	RY125T-8-03-015	Headlight, L	1
16	RY125T-8-03-016	Headlight reflective plate	2
17		Headlight lamp holder	2
18		Headlight decorative cover	2
19		Headlight cover	2
20	RY125T-8-03-020	Expansion screw	6
21	RY125T-8-03-021	Philips oval head self-drilling screw ST4.2×12	12
22	RY125T-8-03-023	Bulb (HS1 Type)	2

F-04:套锁总成 Set lock assy



No.	Code	En. name	Qty
1.	RY125T-8-04-001	Set lock assy	1
2.	RY125T-8-04-002	Seat cable	1
3.	RY125T-8-04-003	Seat lock holder	1
4.	RY125T-8-04-004	Large oval cross slot head screw	2
5.	RY125T-8-04-005	hexagon socket cap screws	2
6.	RY125T-8-04-006	cross recess pan head screw	1

:后尾灯、装饰板及装饰板连接板、中央护罩总成 Tail light, decorative plate, decorative connection plate, center cover

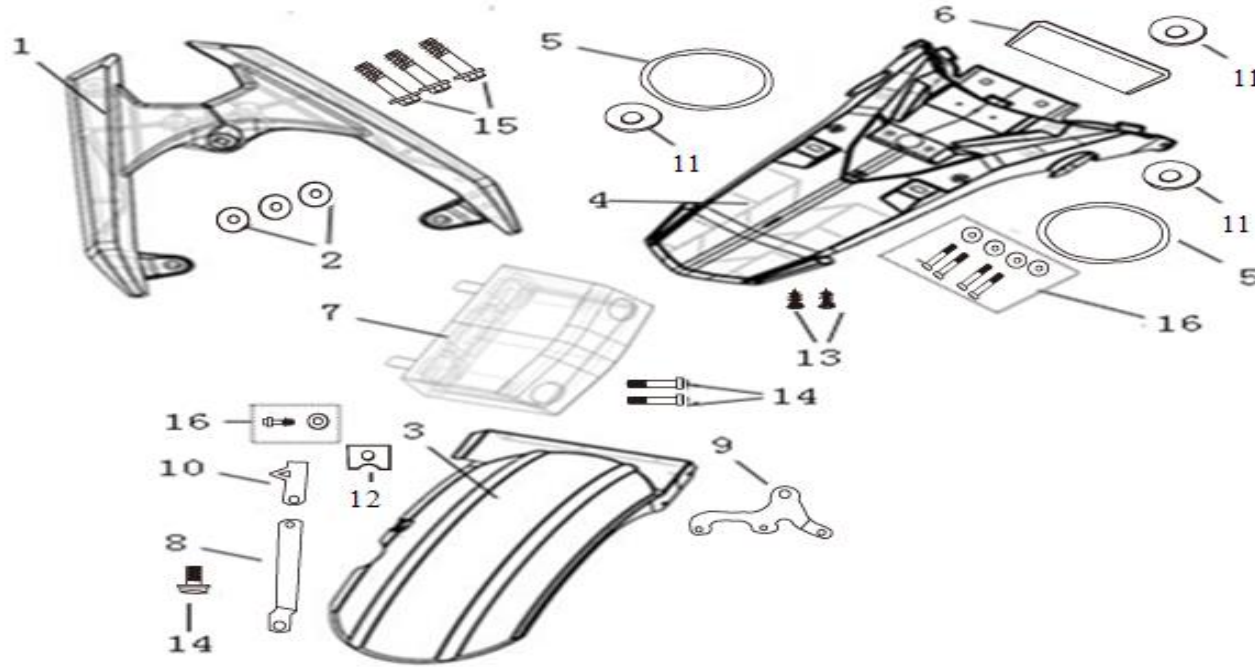


No.	Code	En. name	Qty
1	RY125T-8-05-001	Decorative plate, R	1
2	RY125T-8-05-002	decorative plate, L	1
3	RY125T-8-05-003	Re. connection, decorative plate	1
4	RY125T-8-05-004	Center cover	1
5	RY125T-8-05-005	Small cover, center cover	1
6	RY125T-8-05-006	Tail light assy	1
7		Tail light holder	1
8		Tail light decorative cover	1
9		Tail light cover	1
10		Re. turning light, L	1
11		Re. turning light, R	1
12		Tail light outer cover	1
13	RY125T-8-05-013	Philips oval head self-drilling screw ST4.2×12	6



14	RY125T-8-05-014	Philips oval head self-drilling screw ST4.8×16	2
15	RY125T-8-05-015	Philips oval head self-drilling screw ST4.8×12	2
16	RY125T-8-05-016	Philips oval head self-drilling screw ST4.8×16	2
17	RY125T-8-05-017	Large oval cross slot head screw M6×16	2
18	RY125T-8-05-018	Flat pad	4
19	RY125T-8-05-019	Tapping screw clip	6

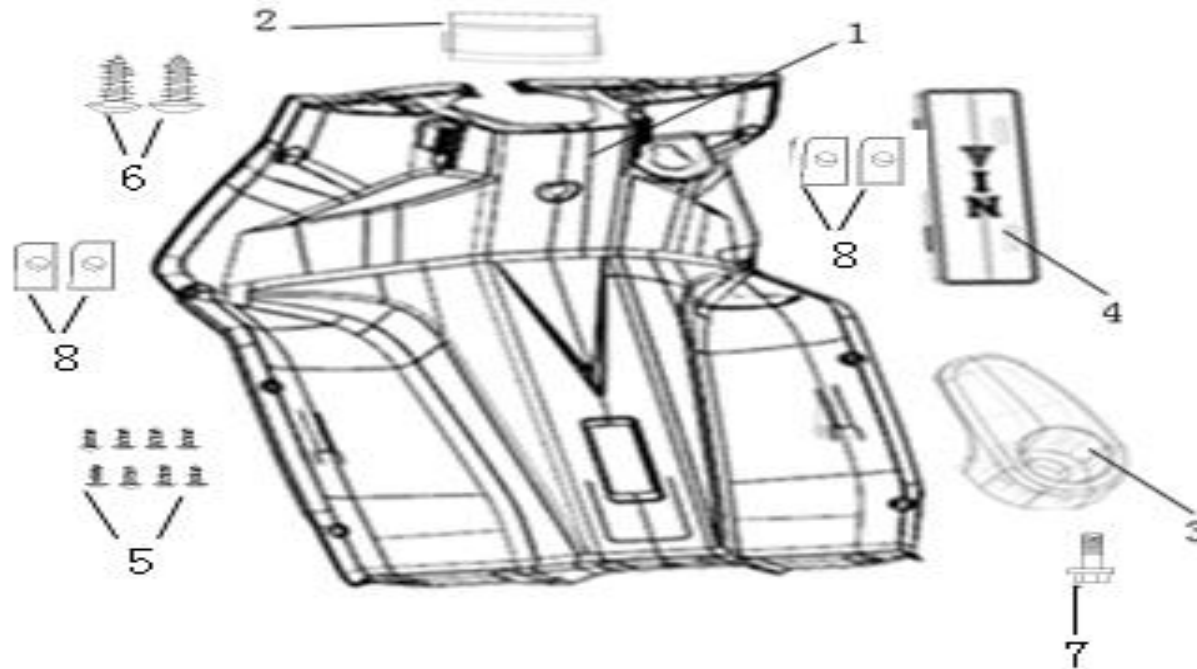
F-06:后尾架及后挡泥板、后轮挡泥板总成 Rear carrier,Rear fender and Rear wheel fender assy



No.	Code	En. name	Qty
1	RY125T-8-06-001	Re.carrier assy	1
3	RY125T-8-06-002	Re.wheel fender	1
4	RY125T-8-06-003	Re.fender	1
5	RY125T-8-06-004	Side reflector	2
6	RY125T-8-06-005	Rear reflector	1
7	RY125T-8-06-006	License light assy	1
8	RY125T-8-06-007	Re. Left bracket,Re. wheel fender	1
9	RY125T-8-06-008	Re. right bracket,Re.wheel fender	1
10	RY125T-8-06-009	Fr.left bracket, Re. wheel fender	1

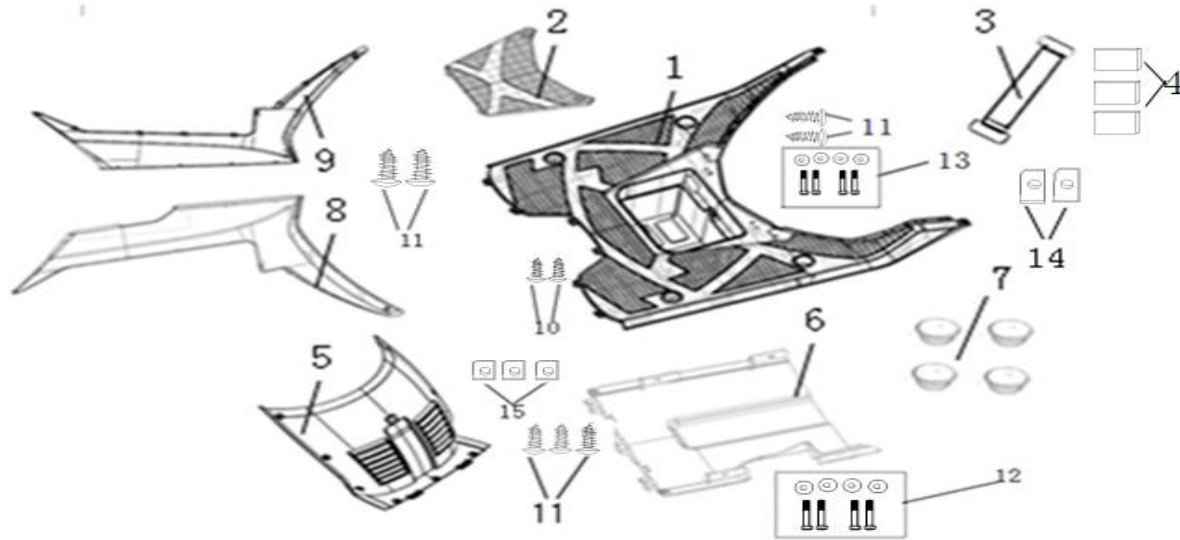
11	RY125T-8-06-010	hexagon nut with flange	5
12	RY125T-8-06-011	Nut clip	1
13	RY125T-8-06-012	Philips oval head self-drilling screw	2
14	RY125T-8-06-013	hexagon bolt with flange	2
15	RY125T-8-06-014	hexagon bolt with flange	3
16	RY125T-8-06-015	Bolt, flat gaskets components	5

F-07:前置物箱总成 Front storage box assy



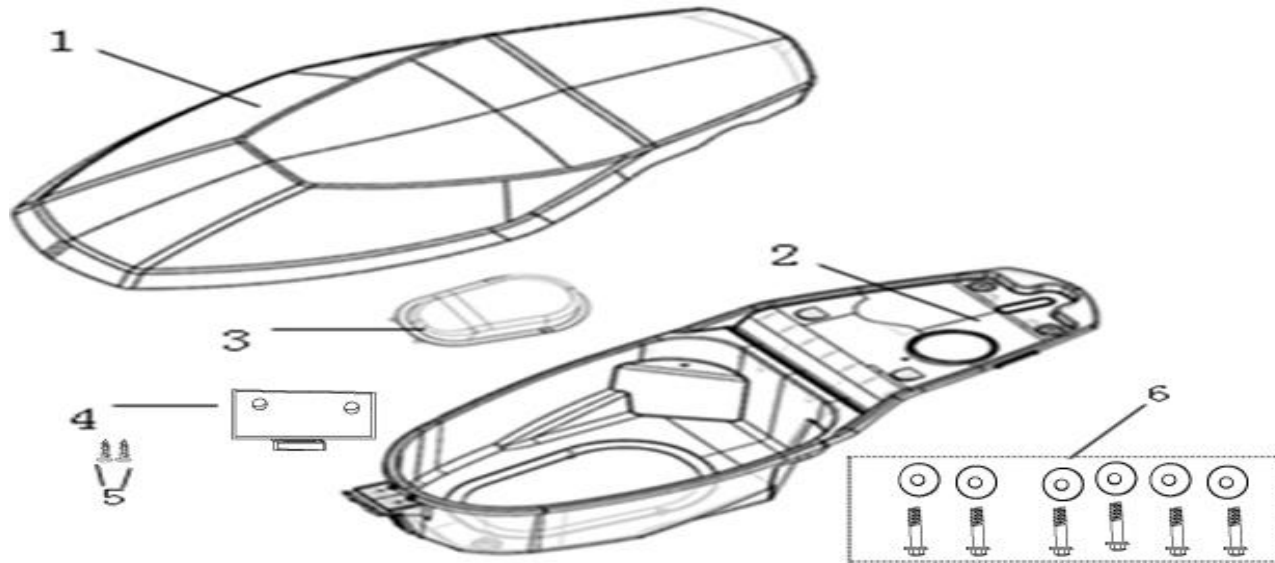
No.	Code	En. name	Qty
1	RY125T-8-07-001	Front storage box	1
2	RY125T-8-07-002	Front storage box connection	1
3	RY125T-8-07-003	Helmet hook	1
4	RY125T-8-07-004	Vin No. cover	1
5	RY125T-8-07-005	Philips oval head self-drilling screw	8
6	RY125T-8-07-006	Philips oval head self-drilling screw	2
7	RY125T-8-07-007	Hexagon flange bolts	1
8	RY125T-8-07-008	Tapping screw clip	4

F-08:脚踏板、左右边条及车架挡泥板总成 Footrest, side plate L/R and frame fender assy



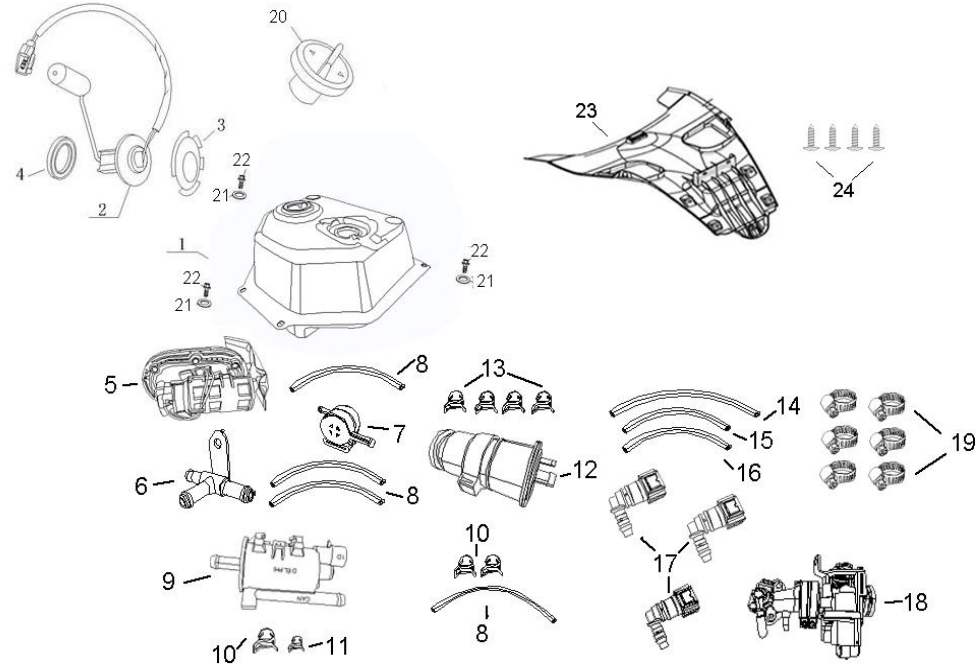
No.	Code	En. name	Qty
1	RY125T-8-08-001	Footrest	1
2	RY125T-8-08-002	Battery box cover	1
3	RY125T-8-08-003	Battery strip	1
4	RY125T-8-08-004	Battery rubber mat	1
5	RY125T-8-08-005	Inner cover, front fender	1
6	RY125T-8-08-006	Bottom cover	1
7	RY125T-8-08-007	Cover cap, footrest	4
8	RY125T-8-08-008	Front board, L	1
9	RY125T-8-08-009	Front board, R	1
10	RY125T-8-08-010	Bolt&flat gaskets components M6×16	2
11	RY125T-8-08-011	Tapping screw clip	7
12	RY125T-8-08-012	Tapping screw clip	4

F-09:座墊及行李箱总成 Seat & Luggage box assy



No.	Code	En. name	Qty
1	RY125T-8-09-001	Seat assy	1
2	RY125T-8-09-002	Luggage box	1
3	RY125T-8-09-003	Luggage box inner cover	1
4	RY125T-8-09-004	Seat cushion axis clamp	1
5	RY125T-8-09-005	Philips oval head self-drilling screw	2
6	RY125T-8-09-006	Bolt& flat gaskets components	6

### F-10:油箱总成

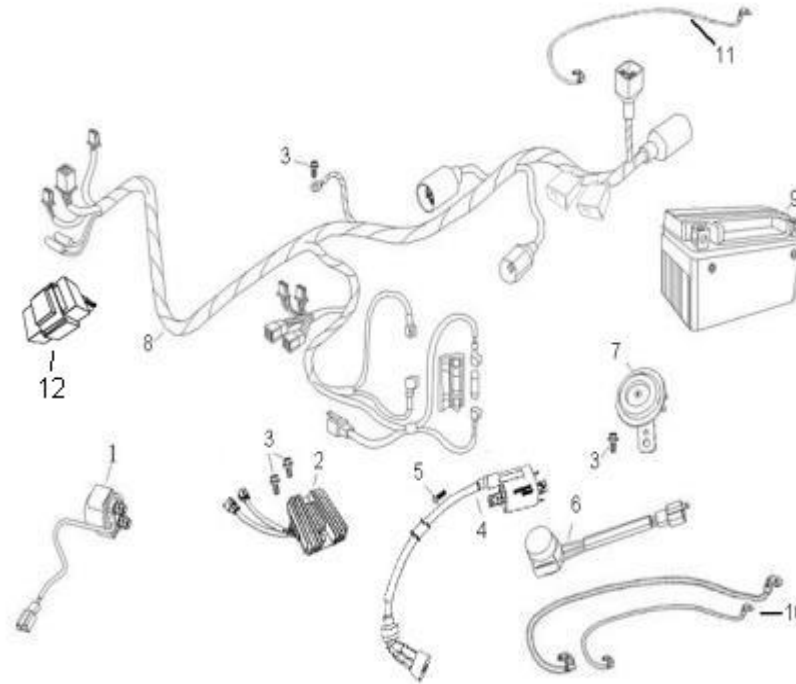


No.	Code	En. name	Qty
1	RY125T-8-10-001	FULE TANK(Fuel tank impermeability)	1
2	RY125T-8-10-002	FUEL SENSOR	1
3	RY125T-8-10-003	FUEL SENSOR CLIP	1
4	RY125T-8-10-004	FUEL SENSOR OIL SEAL	1
5	RY125T-8-10-005	HORIZONTAL FUEL PUMP	1
6	RY125T-8-10-006	THREE-WAY VALVE	1
7	RY125T-8-10-007	DUMP VALVE	1

8	RY125T-8-10-008	COMMON FUEL TUBE	3
9	RY125T-8-10-009	CARBON CANISTER SOLENOID VALVE	1
10	RY125T-8-10-010	CLAMP $\phi$ 10	3
11	RY125T-8-10-011	CLAMP $\phi$ 8.3	1
12	RY125T-8-10-012	CARBON CANISTER OX-TGM-2 OXIN	1
13	RY125T-8-10-013	CLAMP $\phi$ 8.3	4
14	RY125T-8-10-014	HIGH VOLTAGE FUEL TUBE	1
15	RY125T-8-10-015	HIGH VOLTAGE FUEL TUBE	1
16	RY125T-8-10-016	HIGH VOLTAGE FUEL TUBE	1
17	RY125T-8-10-017	DEDICATED CATHODIC JOINT FOR FUEL TUBE	3
18	RY125T-8-10-018	THROTTLE VALVE ASSY	1
19	RY125T-8-10-019	CLAMP FOR HIGH VOLTAGE FUEL TUBE	6
20	RY125T-8-10-020	FUEL TANK COVER	1
21	RY125T-8-10-021	FLAT WASHER $\Phi$ 6 $\times$ $\Phi$ 16 $\times$ 1mm	3
22	RY125T-8-10-022	HEXGON FLANGE BOLT M6 $\times$ 12mm	3
23	RY125T-8-10-023	Inner, rear fender	1
24	RY125T-8-10-024	Philips oval head self-drilling screw ST4.2 $\times$ 12	5



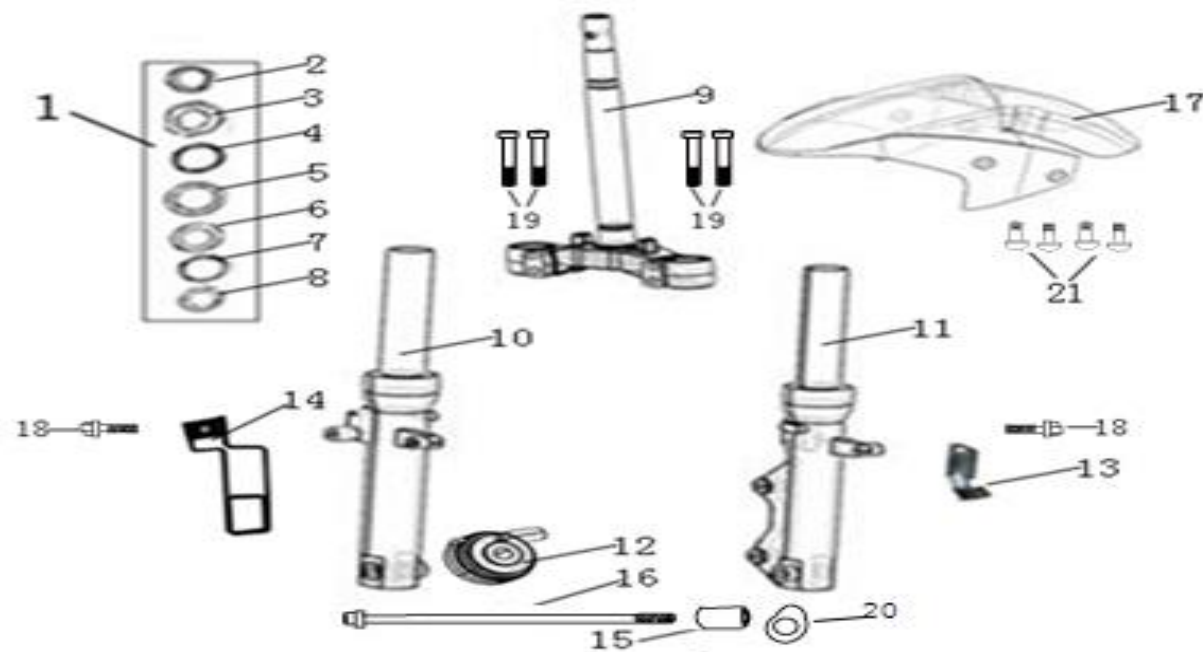
F-11:电缆及电器件总成 Cable & electric parts assy



No.	Code	En. name	Qty
1	RY125T-8-11-001	STARTING RELAY	1
2	RY125T-8-11-002	DIRECT-CURRENT REGULATOR	1
3	RY125T-8-11-003	HEXGON FLANGE BOLT M6×12mm	4
4	RY125T-8-11-004	IGNITION COIL COMP.	1
5	RY125T-8-11-005	CROSS CAP HEAD BOLT M6x25mm	1
6	RY125T-8-11-006	FLASHER	1
7	RY125T-8-11-007	HORN	1

8	RY125T-8-11-008	MAIN CABLE ASSY	1
9	RY125T-8-11-009	BATTERY ASSY 12V 7AH	1
10	RY125T-8-11-010	CATHODE LINE	2
11	RY125T-8-11-011	STARTING ANI\ODIC WIRE	1
12	RY125T-8-11-012	Headlight controller	1

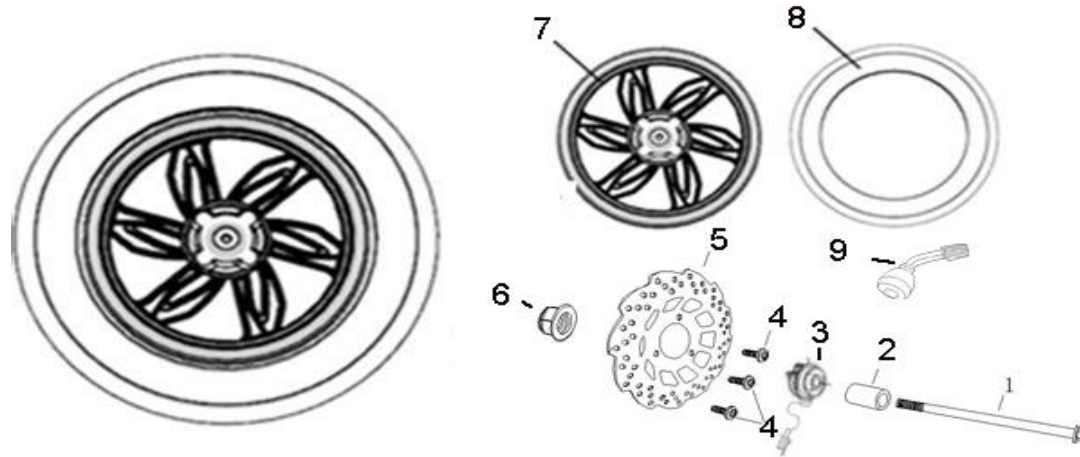
F-12:全套钢碗、前叉及前轮挡泥板总成 Full set steel bowl, front fork and front wheel fender assy



No.	Code	En. name	Qty
1	RY125-8-12-001	Full set steel bowl assy	1
2			1
3			1
4			1
5			1
6			1
7			1

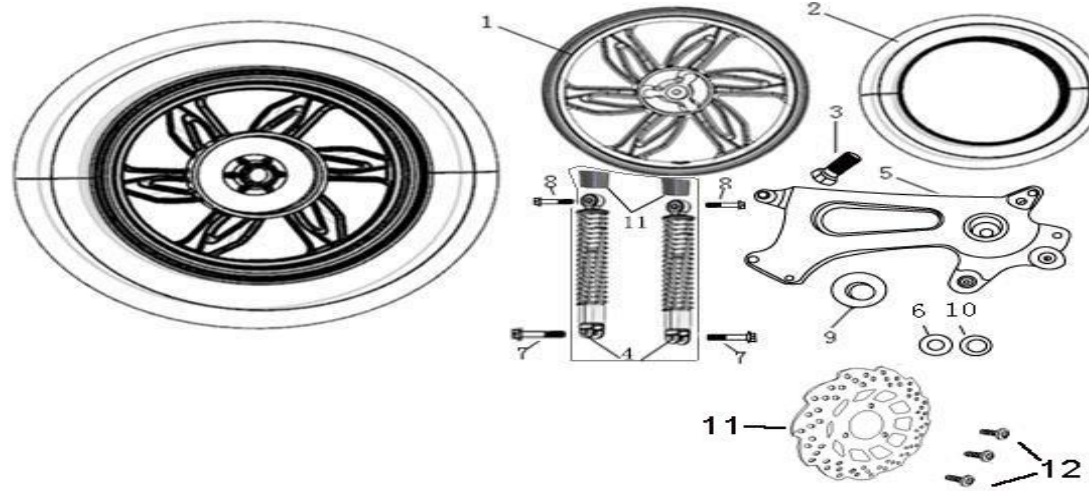
8			1
9	RY125-8-12-009	Steering stem.	1
10	RY125-8-12-010	Front cushion, L	1
11	RY125-8-12-011	Front cushion, R	1
12	RY125-8-12-012	Counter	1
13	RY125-8-12-013	Brake cable clip	1
14	RY125-8-12-014	Instrument cable thimble	1
15	RY125-8-12-015	Bush, front wheel $\phi 12 \times \phi 20 \times 20$	1
16	RY125-8-12-016	Front axle M12 $\times$ 1.25 $\times$ 235	1
17	RY125-8-12-017	Front wheel fender	1
18	RY125-8-12-018	Hexagon flange bolts M6 $\times$ 12	2
19	RY125-8-12-019	Hexagon flange bolts M10 $\times$ 1.25 $\times$ 45	4
20	RY125-8-12-020	Hex flange lock nut M12 $\times$ 1.25	1
21	RY125-8-12-021	Large oval cross slot head screw M6 $\times$ 16	4

F-13:前轮总成 Front wheel assy



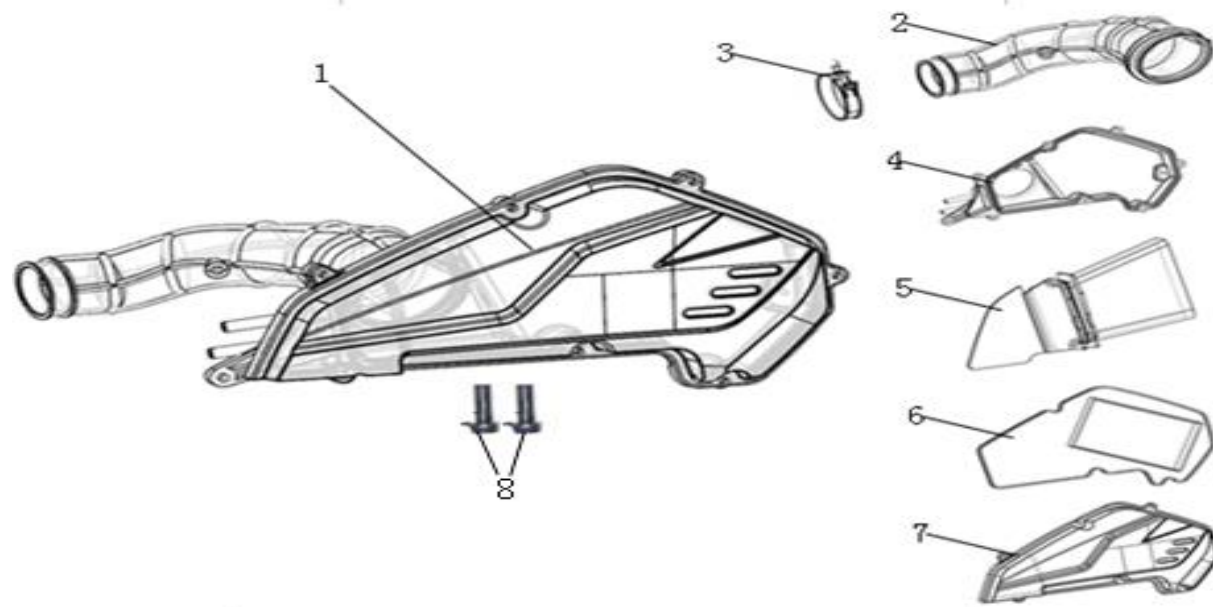
No.	Code	En. name	Qty
1	RY125T-8-13-001	front axle	1
2	RY125T-8-13-002	bushing, front axle $\Phi 12 \times \Phi 20 \times 25 \text{mm}$	1
3	RY125T-8-13-003	GEAR BOX ASSY FOR CALCULATE SPEED	1
4	RY125T-8-13-004	screw, disk brake plate $M8 \times 25 \text{mm}$	3
5	RY125T-8-13-005	front disk brake plate $\Phi 220 \text{mm}$	1
6	RY125T-8-13-006	hexagon flange nut M12	1
7	RY125T-8-13-007	Front alum. Wheel $MT2.50 \times 14$	1
8	RY125T-8-13-008	Front tyre 110/70-14,CST	1
9	RY125T-8-13-009	Cycle valve	1

F-14:后轮及后减震总成 Rear wheel & rear cushion assy



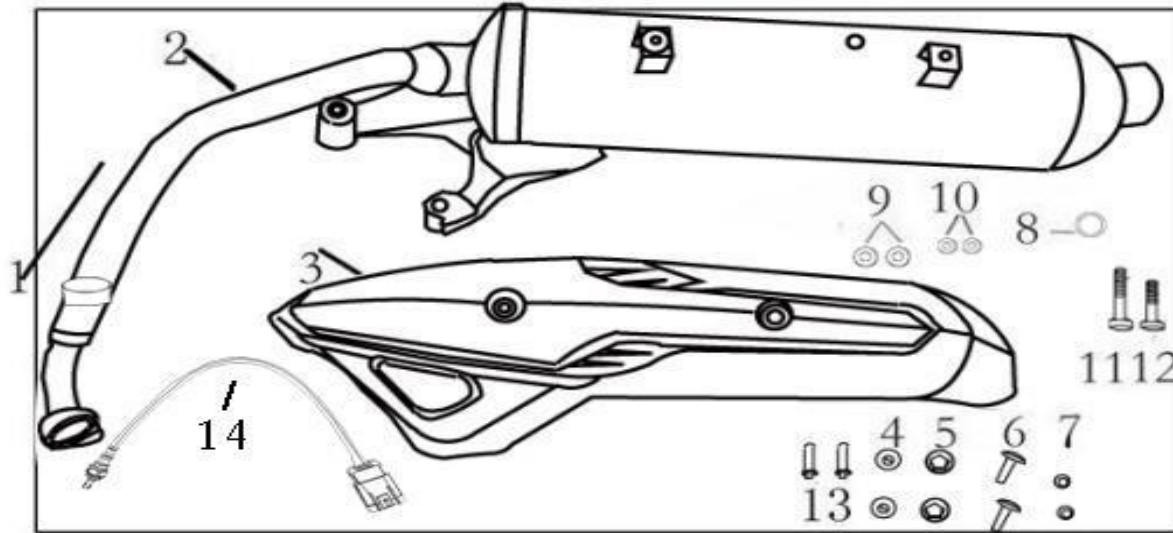
No.	Code	En. name	Qty
1	RY125T-8-14-001	Rear alum wheel. MT2. 75×14	1
2	RY125T-8-14-002	Re. tyre, CST, 120/70-14	1
3	RY125T-8-14-003	Cycle valve	1
4	RY125T-8-14-004	Rear cushion 335mm	2
5	RY125T-8-14-005	Rear wheel connection plate	1
6	RY125T-8-14-006	Bush $\phi 17.5 \times \phi 20 \times 27$	1
7	RY125T-8-14-007	Hexagon flange bolts M8×32	2
8	RY125T-8-14-008	Hexagon flange bolts M10×1.25×40	2
9	RY125T-8-14-009	Hex flange lock nut M16×1.5	1
10	RY125T-8-14-010	Bush 17.5×25×6	1
11	RY125T-8-14-011	前轮碟刹盘 $\Phi 220\text{mm}$	1
12	RY125T-8-14-012	碟刹盘螺丝M8×25mm	3

F-15:空气滤清器及散件总成 Air filter components



No.	Code	En. name	Qty
1	RY125T-8-15-001	Air filter assy	1
2		Air filter exit pipe	1
4		Air filter body lower cover	1
5		Air filter inlet air pipe	1
6		Air filter element	1
7		Air filter body upper cover	1
8		RY125T-8-15-008	Hexagon flange bolts M6×25
3	RY125T-8-15-003	Air filter exit pipe clamp	1
6	RY125T-8-15-006	Air filter element	1

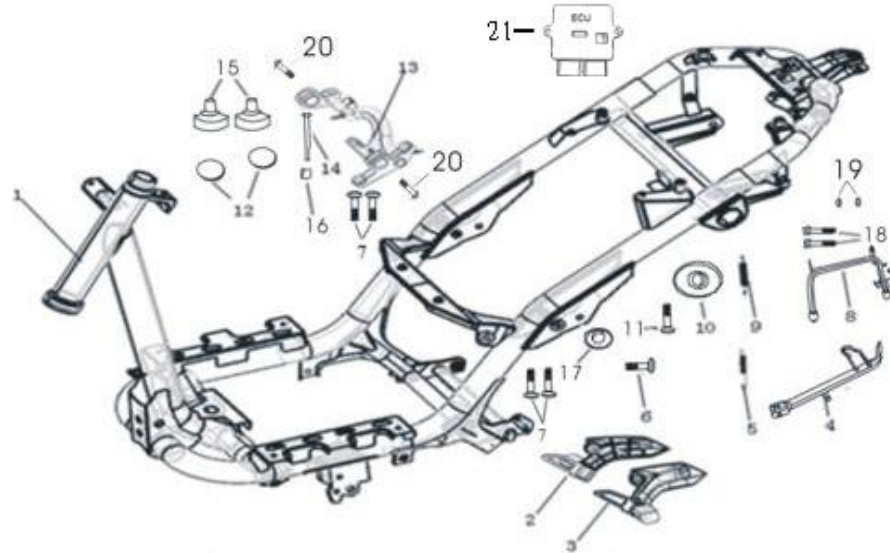
F-16:消声器总成 Muffler assy



No.	Code	En. name	Qty
1	RY125T-8-16-001	Muffler assv	1
2	RY125T-8-16-002	Muffler body components	1
3	RY125T-8-16-003	Muffler cover	1
4	RY125T-8-16-004	Hexagon flange nut M6	2
5	RY125T-8-16-005	Flat gaskets	2
6	RY125T-8-16-006	cross recess pan head screw M6X16	2
7	RY125T-8-16-007	Flat gaskets	2
8	RY125T-8-16-008	Muffler gaskets	1
9	RY125T-8-16-009	Flat gaskets $\phi 8$	2
10	RY125T-8-16-010	Spring gaskets $\phi 8$	2
11	RY125T-8-16-011	Hexagon flange bolts M8 $\times$ 100	1
12	RY125T-8-16-012	Hexagon flange bolts M8 $\times$ 70	1
13	RY125T-8-16-013	Cap nut M8 $\times$ 32	2
14	RY125T-8-16-014	OXYGEN SENSOR	1



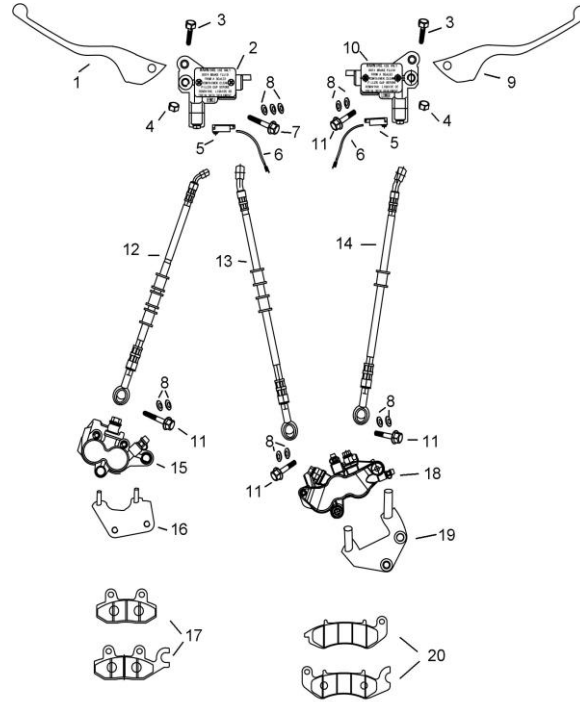
F-17:车架部分及车架散件总成



No.	Code	En. name	Qty
1	RY125T-8-17-001	Frame assy	1
2	RY125T-8-17-002	Left Pedal	1
3	RY125T-8-17-003	Right Pedal	1
4	RY125T-8-17-004	Side stand	1
5	RY125T-8-17-005	Side stand Spring(95mm)&rubber cover(50mm)	1
6	RY125T-8-17-006	Side stand bolt M10×1.25×25	1
7	RY125T-8-17-007	Bolt M8×20	4
8	RY125T-8-17-008	Main stand 225mm	1
9	RY125T-8-17-009	Main stand spring (85mm) &rubber cover (65mm)	1
10	RY125T-8-17-010	Main stand bumper block	1

11	RY125T-8-17-011	Hexagon flange bolts M6×25	2
12	RY125T-8-17-012	Hanger rubber bolck	2
13	RY125T-8-17-013	Hanger assy	1
14	RY125T-8-17-014	Hanger alxe M10×1.25×185	1
15	RY125T-8-17-015	Hang buffer rubber	2
16	RY125T-8-17-016	Hexagon flange nuts M10×1.25×25	1
17	RY125T-8-17-017	Bush $\phi 10.5 \times \phi 18 \times 5.7$	1
18	RY125T-8-17-018	Hexagon flange bolts M10×1.25×55	2
19	RY125T-8-17-019	Bush, main stand	2
20	RY125T-8-17-020	Bolt M10×1.25×55	2
21	RY125T-8-17-021	ECU (ELECTRIC CONTROL UNIT)	1
22	RY125T-8-17-022	Horn bracket	

F-18:前液压制动器散件总成 Front disc brake assy

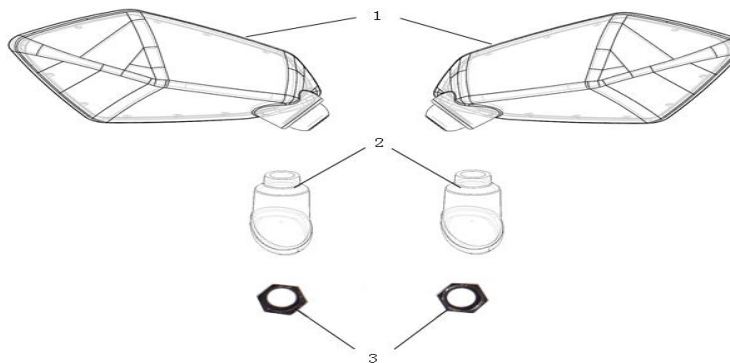
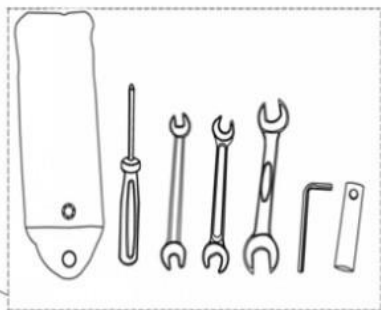


No.	Code	En. name	Qty
1	RY125T-8-18-001	BRAKE LEVER, L	1
2	RY125T-8-18-002	DISC BRAKE PUMP,RR,UPPER	1
3	RY125T-8-18-003	HEX FLANGE SCREW M6*30	2
4	RY125T-8-18-004	SELF-LOCKING NUT	2
5	RY125T-8-18-005	BRAKE SWITCH	2
6	RY125T-8-18-006	BRAKE SWITCH CABLE	2
7	RY125T-8-18-007	HOLLOW SCREW M10*35	1
8	RY125T-8-18-008	GASKET SEAL	11

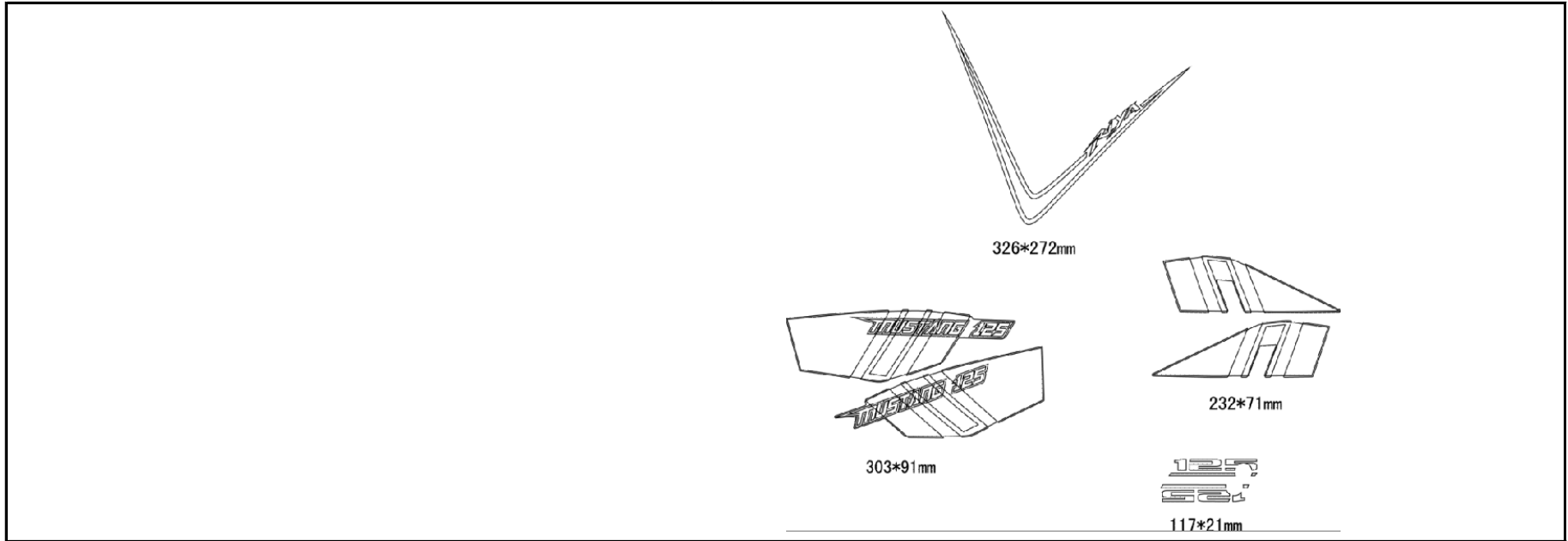
9	RY125T-8-18-009	BRAKE LEVER, R	1
10	RY125T-8-18-010	DISC BRAKE PUMP,FR,UPPER	1
11	RY125T-8-18-011	HOLLOW SCREW M10*20	2
12	RY125T-8-18-012	HIGH-PRESURE TUBE 2	1
13	RY125T-8-18-013	HIGH-PRESURE TUBE 3	1
14	RY125T-8-18-014	HIGH-PRESURE TUBE 1	1
15	RY125T-8-18-015	DISC BRAKE PUMP,RR,DOWN	1
16	RY125T-8-18-016	DISC BRAKE PUMP BRACKET,RR	1
17	RY125T-8-18-017	BRAKE PAD, R	1
18	RY125T-8-18-018	DISC BRAKE PUMP,FR,DOWN	1
19	RY125T-8-18-019	DISC BRAKE PUMP BRACKET,FR	1
20	RY125T-8-18-020	BRAKE PAD, F	1

F-19: 随车工具总成 Tool set assy

No.	Code	En. name	Qty
1	RY125T-8-19-002	Rear view mirror	2
2	RY125T-8-19-003	Rear view mirror rubber sleeve	2
3	RY125T-8-19-004	Rear view mirror nut	2
4	RY125T-8-19-001	Tool sets	1

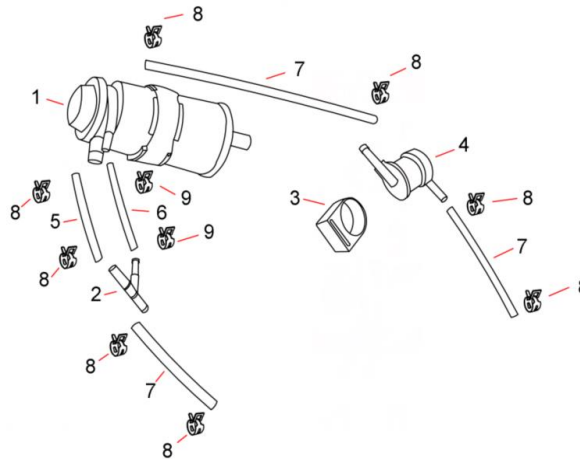


F-20:全套贴花 Full set decals



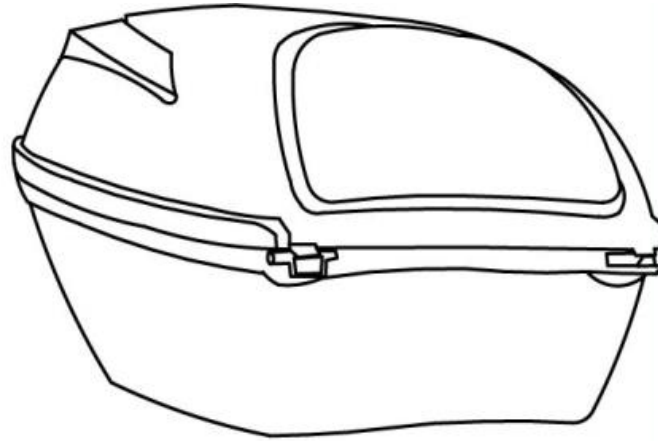
No.	Code	En. name	Qty
1	RY125T-8-20-001	Full set decals	1

F-21:全套碳罐(Carbon fule tank assy)



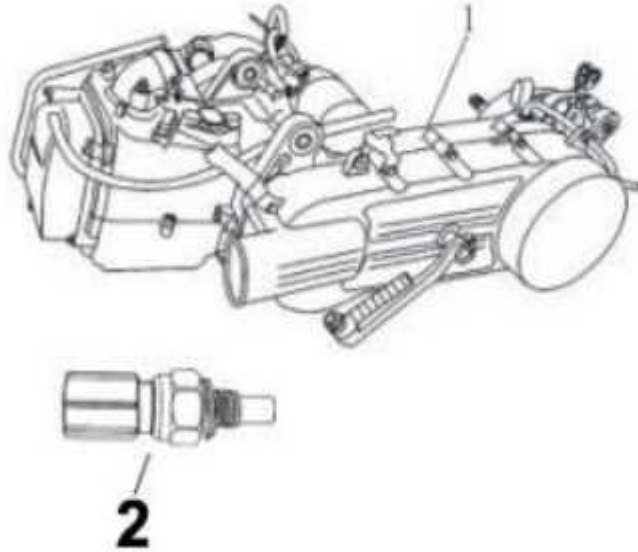
No.	Code	En. name	Qty
1	RY125T-8-21-001	Carbon fuel tank assy	1
2		"Y" Branch pipe	1
3		Leather case	1
4		Heel valve	1
5		Air tube L=60mm/Φ7	1
6		Air tube L=60mm/Φ8	1
7		Air tube L=350mm/Φ7	3
8		Clamp Φ7	8
9		Clamp Φ8	2

F-22:尾箱 (Top case)



No.	Code	En. name	Qty
1	RY-RB-002PW	Top case assy(include key), Five star L, Pure White/RY-001	1
2	RY-RB-002	Set lock for top case	1

F-23:动力系统总成(ENGINE SYSTEM ASSY)



No.	Code	En. name	Qty
1	RY125T-8-22-001	ENGINE ASSY, GY7 XINBA	1
2	RY125T-8-22-002	CYLINDER HEAD TEMPERATURE SENSOR	1