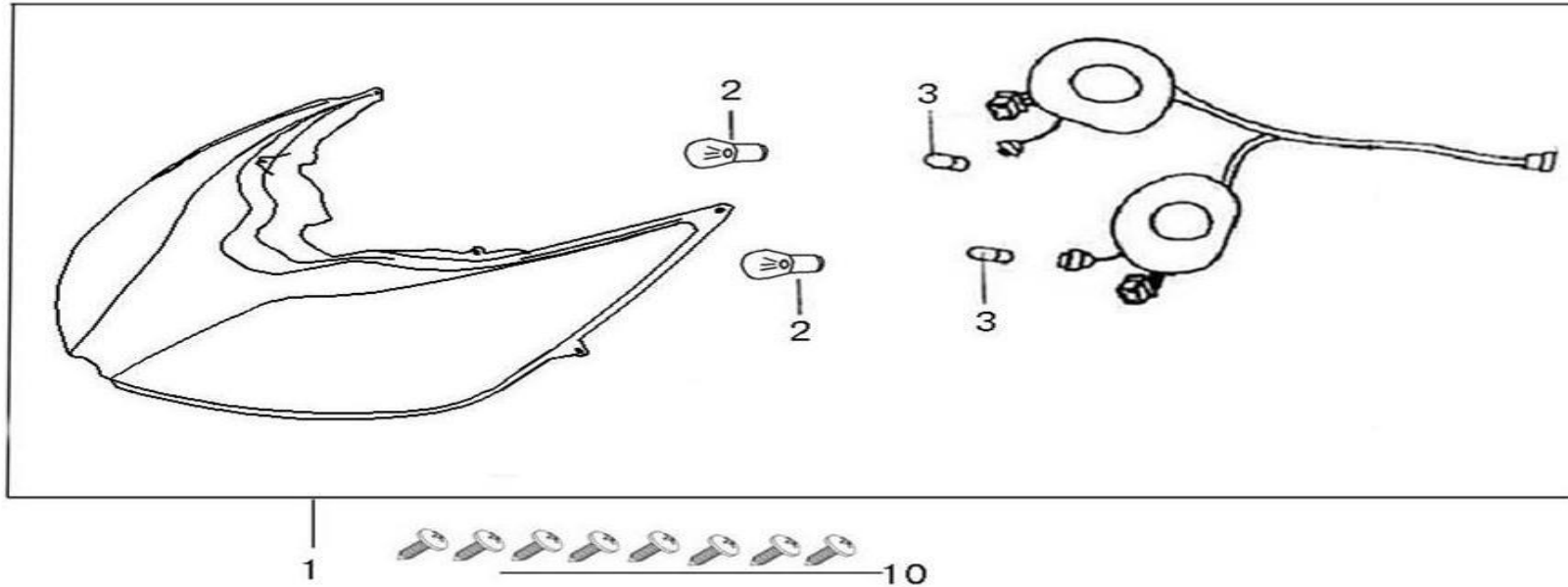


Taizhou Zhongneng Motorcycle Co., LTD
ADAMOTO ZNEN FALCON 125



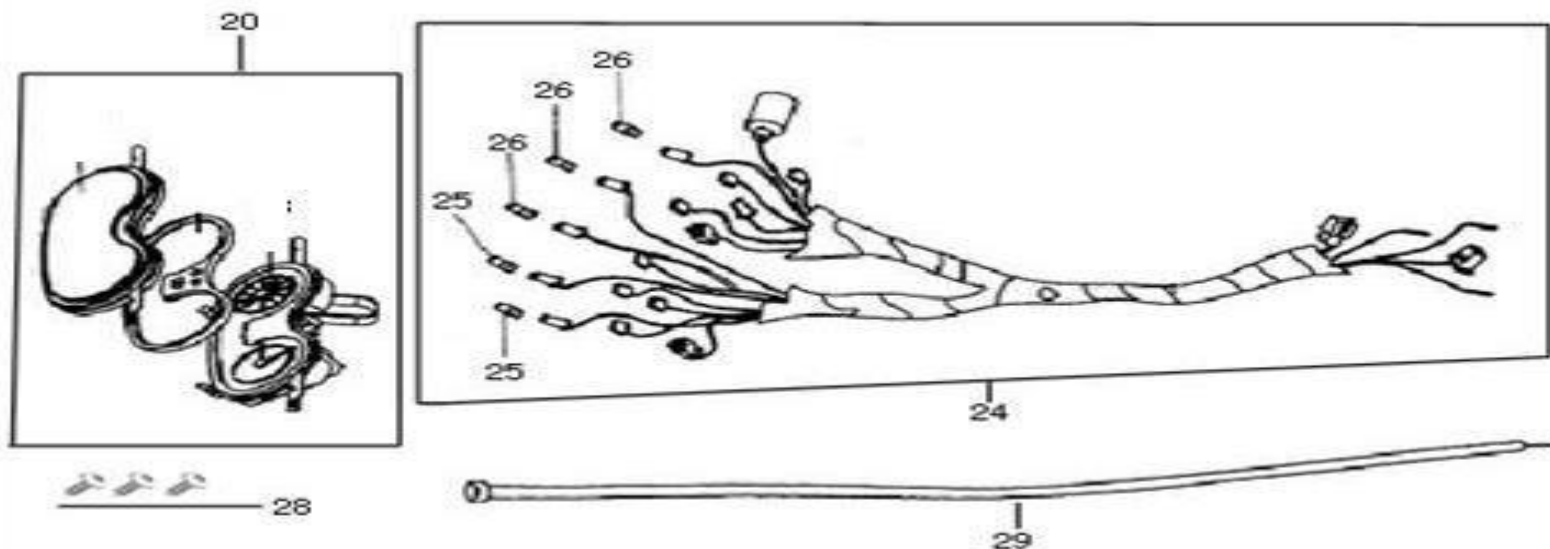
ZN125T-8F (E-MARK) 零部件图册 F01



ZN125T-8F (E-MARK) 零部件图册 F01

页码	区分					部品编号	部品名称(英)	数量
	主	附	细	细	细			
F01	1					33100-FA7-9000	LIGHT ASSY HEAD	1
F01		2				34901-F8-9000	BULB HEAD LIGHT 12V 35W/35W	2
F01		3				34903-F8-9000	SIDELIGHTS BULB 12V 5W	2
F01	10					93401-48012-03	SCREW TAPPING 4.8*12 (G)	8

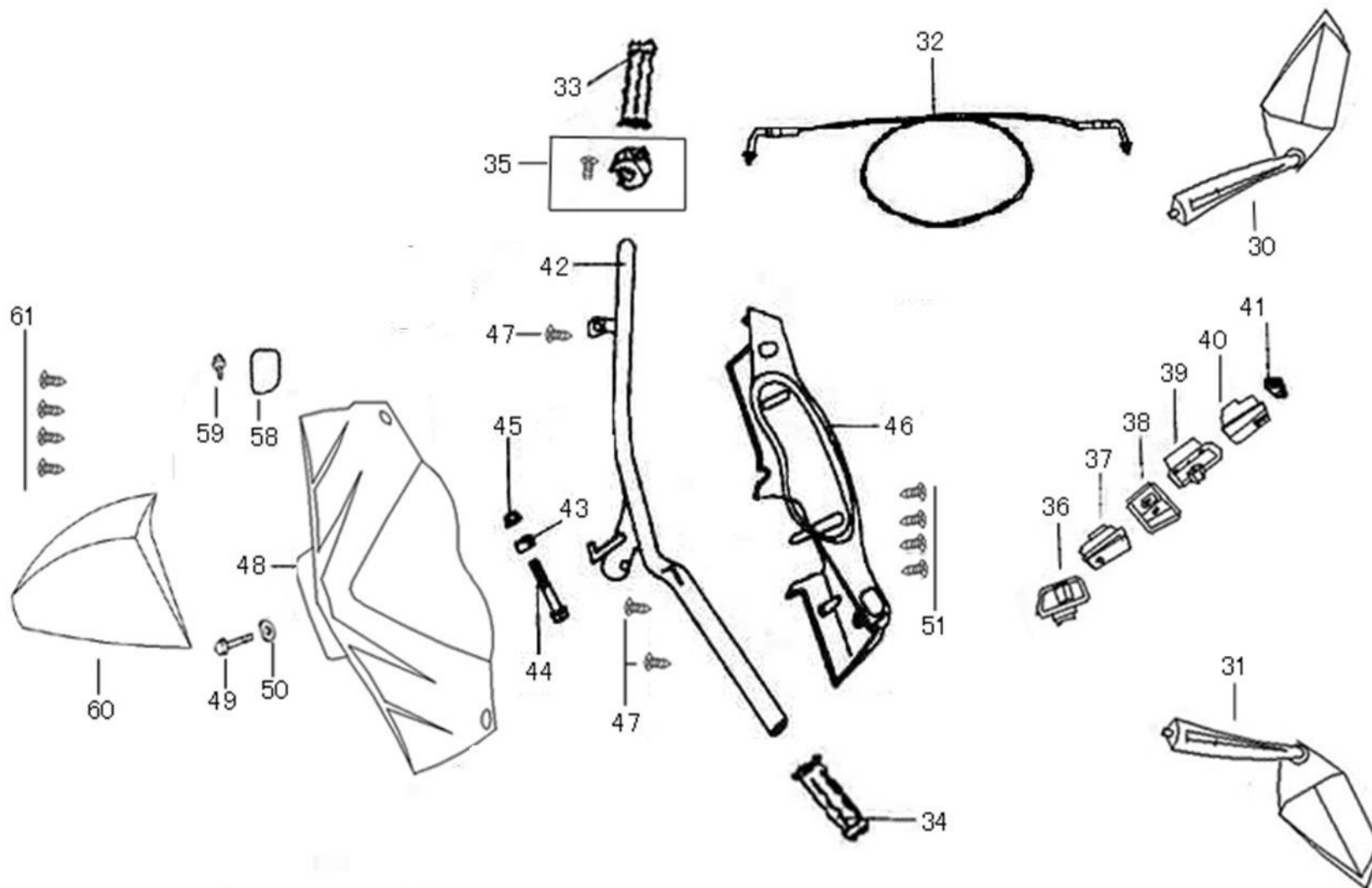
ZN125T-8F (E-MARK) 零部件图册 F02



ZN125T-8F (E-MARK) 零部件图册 F02

页码	区分					部品编号	部品名称(英)	数量
	主	附	细	细	细			
F02	20					37200-AFAG-E000	SPEED METER ASSY	1
F02	24					37224-AFAG-9000	SOCKET COMP METER	1
F02		25				34908-F8-9000	BULB WEDGE BASE(12V3W)	3
F02		26				34909-F8-9000	BULB WEDGE BASE(12V1.7W)	3
F02	28					93401-42016-03	SCREW TAPPING 4.2*16 (G)	3
F02	29					44830-FA-9000	CABLE COMP SPDMT	1

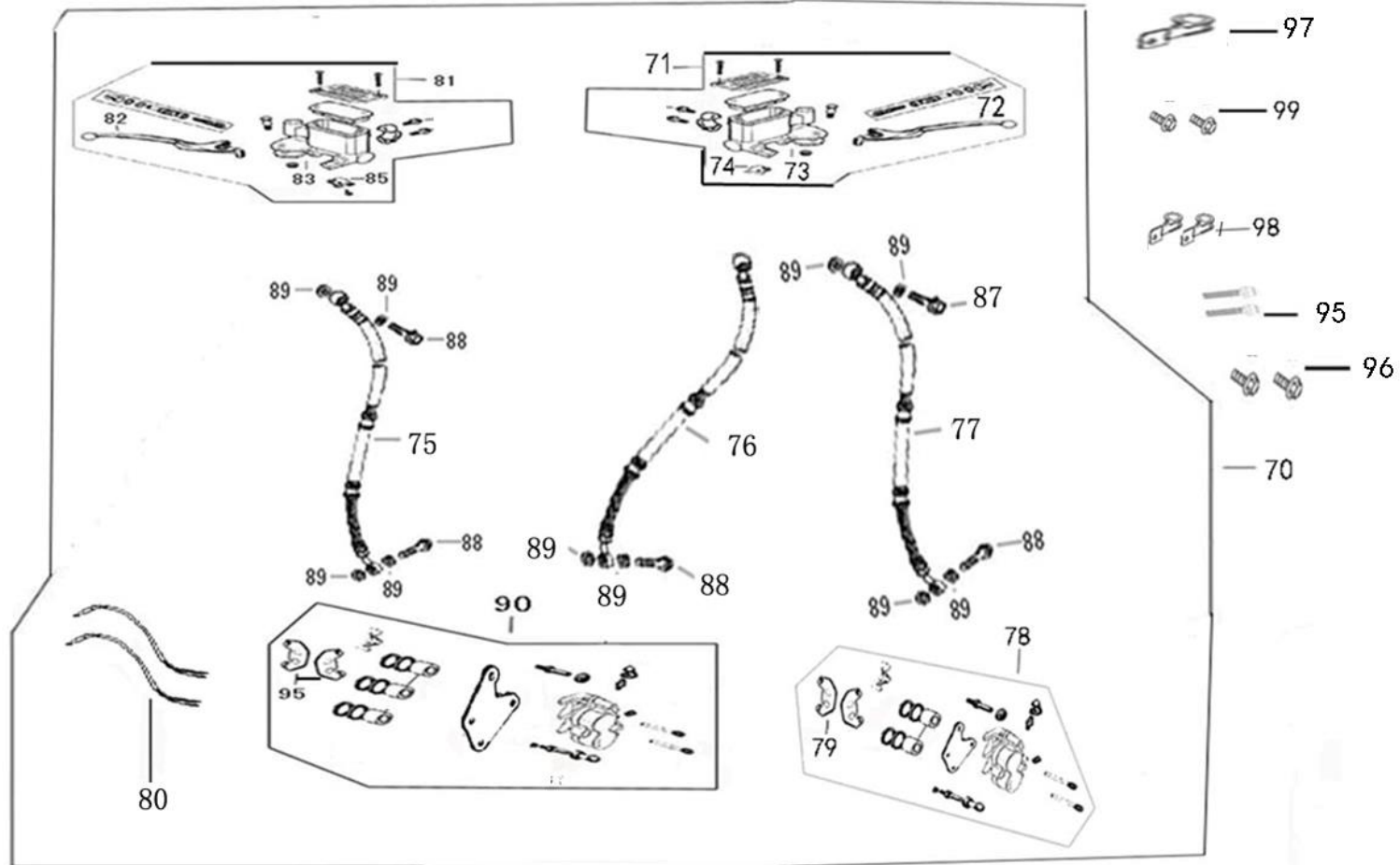
ZN125T-8F (E-MARK) 零部件图册 F03



ZN125T-8F (E-MARK) 零部件图册 F03

页码	区分					部品编号	部品名称(英)	数量
	主	附	细	细	细			
F03	30					88110-F22-E000	MIRROR ASSY R BACK	1
F03	31					88120-F22-E000	MIRROR ASSY L BACK	1
F03	32					17910-AFAG-9000	CABLE COMP THROT	1
F03	33					53140-GZ-9000	GRIP COMP THROT	1
F03	34					53166-GZ-9000	GRIP L HANDLE	1
F03	35					53168-FA-9000	HOUSING THROT	1
F03	36					35205-ALA6-9000	FLAMEOUT SWITCH	1
F03	37					35152-FA-9000	START SWITCH	1
F03	38					35201-FA-9000	FLASHER SWITCH	1
F03	39					35202-FA-9000	L/R WINKER SWITCH	1
F03	40					35203-FA-9000	HORN SWITCH	1
F03	41					35204-FA-9000	ALARM SWITCH	1
F03	42					53100-FA7-9000-B	HANDLE COMP STRG	1
F03	43					53125-F8-9000	COLLAR HANDLE SET	1
F03	44					92201-10050-03	BOLT FLANGE 10*50	1
F03	45					95401-10000-03	NUT U 10MM (G)	1
F03	46					53205-FA7-9000	COVER HANDLE RR	1
F03	47					93401-42016-03	SCREW TAPPING4.2*16 (G)	3
F03	48					53206-FA7-9000	COVER HANDLE FR	1
F03	49					93201-05030-03	SCREW PAN 5*30	1
F03	50					95801-05000-03	WANSHWE 5MM	1
F03	51					93401-42012-03	SCREW TAPPING4.2*12 (G)	4
F03	58					53215-FA7-9000	SMALL CAP, FR DISC PUMP	1
F03	59					90099-ZNW-9000	PLASTIC EXPANSION SCREW	1
F03	60					64211-FA7-9000	WINDSHIELD	1
F03	61					93401-42012-03	SCREW TAPPING4.2*12 (G)	4

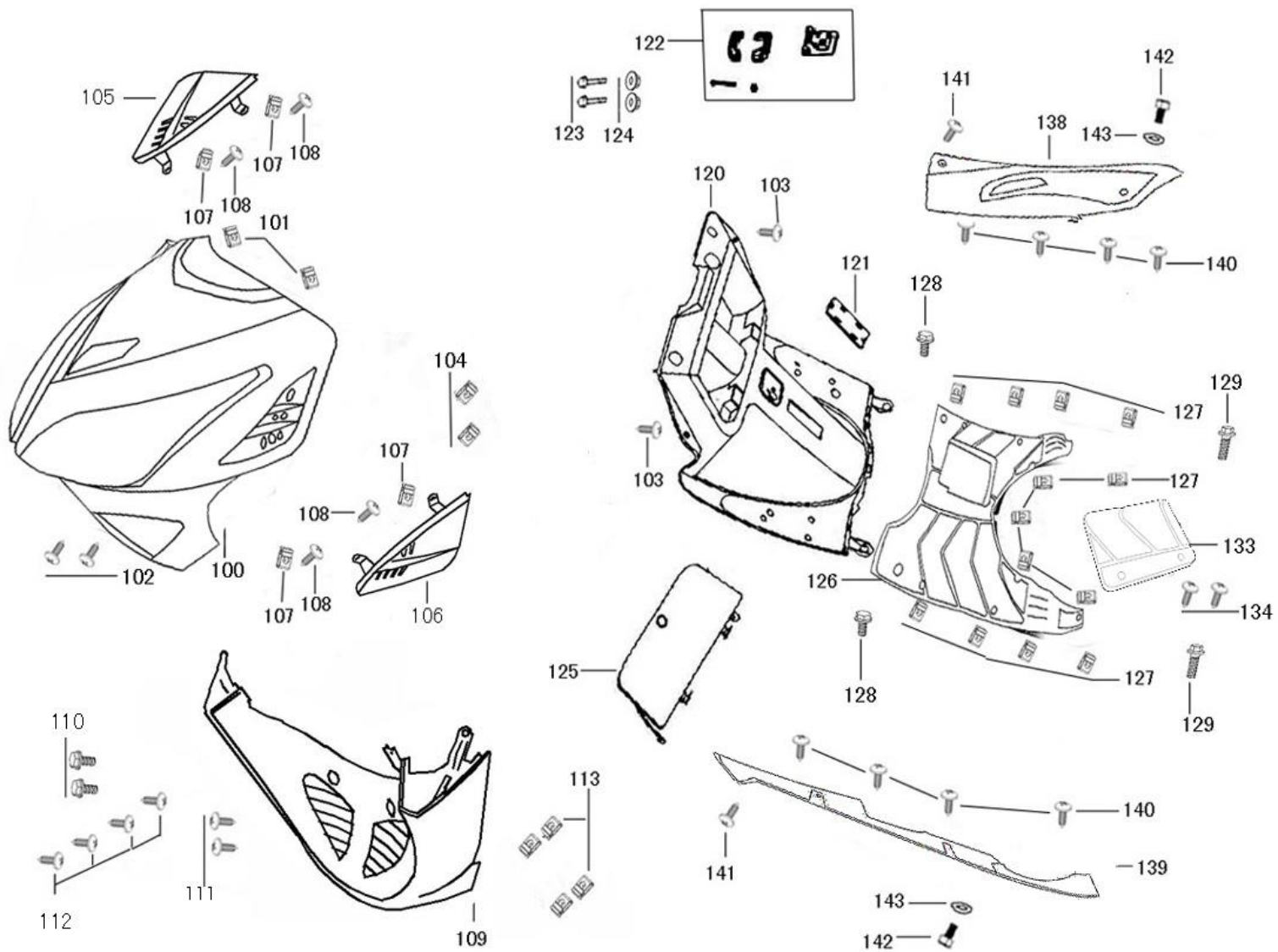
ZN125T-8F (E-MARK) 零部件图册 F04



ZN125T-8F (E-MARK) 零部件图册 F04

页码	区分					部品编号	部品名称(英)	数量
	主	附	细	细	细			
F04	70					4550A-AFAG-E000	SUB HARNESS SET FR M/C COMP	1
F04		71				43500-AFAG-9000	SUB HARNESS SET FR M/C	1
F04			72			53176-FA-9000	HANDLE	1
F04			73			43501-FA-9000	CRLINDER BODY	1
F04			74			10098-F8-9000	SHUT-OFF BLOCK CONSTITUTE RR	1
F04			75			45126-AFAG-9000	On the front disc brake pump to the pump tubing	1
F04			76			43126-AFAG-9000	On the disc brake pump to the pump tubing	1
F04			77			43125-AFAG-9000	On the disc brake pump to the FR DOWN pump tubing	1
F04		78				43200-FA-E000	CALIPER ASSY RR	1
F04			79			43105-FA-E000	PAD COMP A/B	1副
F04		80				32106-FA-9000	The parking brake switch line	2
F04		81				45500-FA-9000	SUB HARNESS SET FR M/C	1
F04			82			53175-FA-9000	HANDLE	1
F04			83			45501-FA-9000	CRLINDER BODY	1
F04			85			10099-F8-9000	SHUT-OFF BLOCK CONSTITUTE FR	1
F04		87				90045-AFAD-9000	OIL BOLT 10*34	1
F04		88				90045-F8-9000	OIL BOLT 10*22	4
F04		89				90046-F8-9000	WASHER OIL BOLT	11
F04		90				45200-AFAG-9000	CALIPER ASSY FR	1
F04			91			45105-AFAG-9000	PAD COMP A/B	1副
F04	95					92201-08025-03	BOLT FLANGE 8*25	2
F04	96					92201-08012-03	BOLT FLANGE 8*12	2
F04	97					45128-AFAD-9000	Stay Hose 2	1
F04	98					45128-F8-9000	Disc brake pipe clamp	2
F04	99					92201-06012-03	BOLT FLANGE 6*12	2

ZN125T-8F (E-MARK) 零部件图册 F05

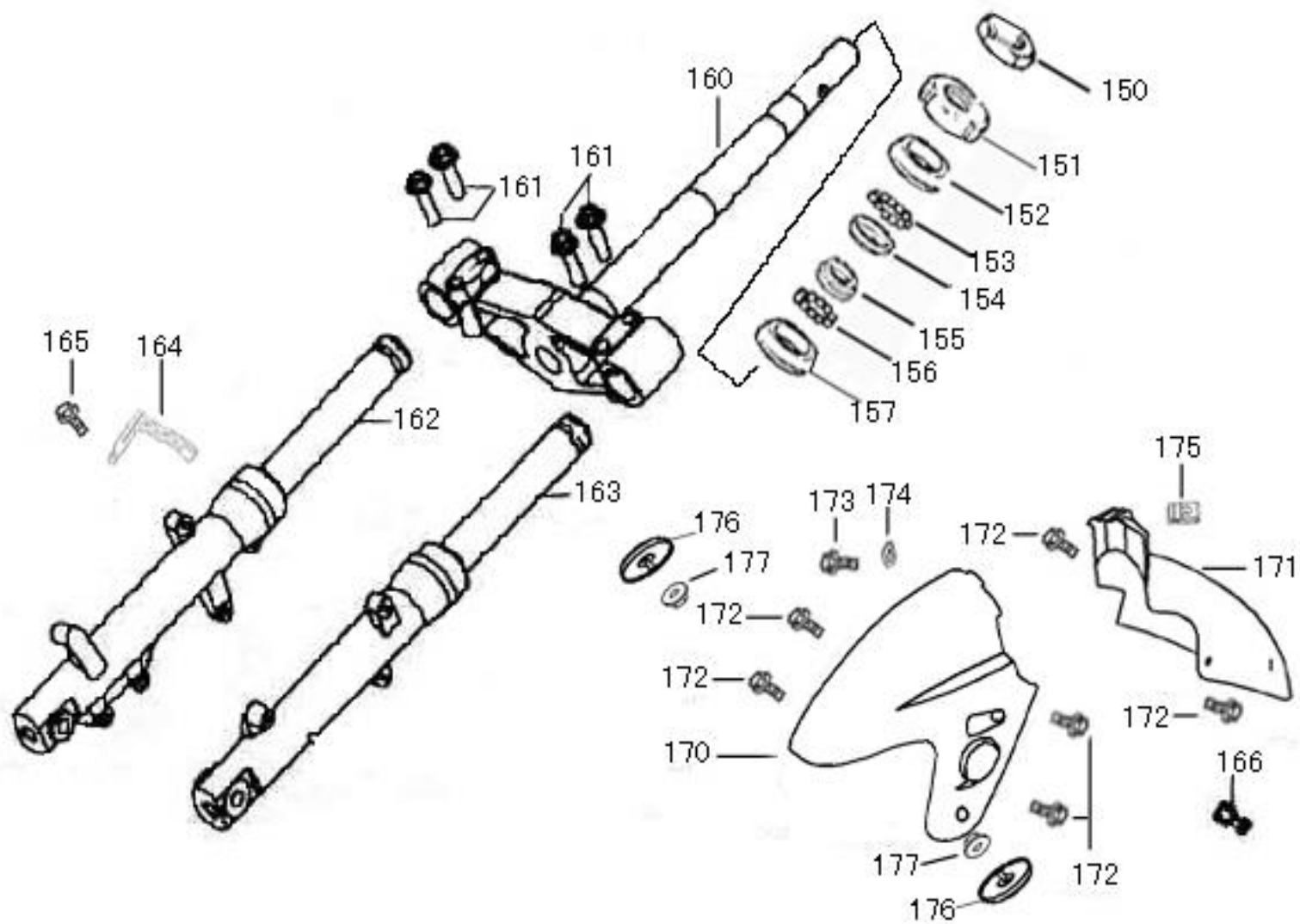


ZN125T-8F (E-MARK) 零部件图册 F05

页码	区 分					部品编号	部品名称(英)	数量
	主	附	细	细	细			
F05	100					64301-FA7-9000	COVER FR	1
F05	101					90601-F8-9000	NUT SPRING 4MM	2
F05	102					93401-48016-03	SCREW TAPPING 4.8*16 (G)	2
F05	103					93401-48016-03	SCREW TAPPING 4.8*16 (G)	2
F05	104					90601-F8-9000	NUT SPRING 4MM	2
F05	105					64315-FA7-9000	VENTILATION GRID R	1
F05	106					64316-FA7-9000	VENTILATION GRID L	1
F05	107					90601-F8-9000	NUT SPRING 4MM	4
F05	108					93401-48012-03	SCREW TAPPING 4.8*12 (G)	4
F05	109					64302-FA7-9000	MOLDING FRONT	1
F05	110					92101-06016-03	BOLT FLANGE 6*16	2
F05	111					93401-42012-03	SCREW TAPPING 4.2*12	2
F05	112					93401-48016-03	SCREW TAPPING 4.8*16	4
F05	113					90601-F8-9000	NUT SPRING 4MM	4
F05	120					64304-FA7-9000	LEG SHIELD	1
F05	121					81142-FA7-9000	LID LEG SHIELD	1
F05	122					83760-FA7-9000	CLIP ASSY CENTER	1
F05	123					93201-05020-03	SCREW PAN 5*20	2
F05	124					95101-05000-03	NUT FLANGE 5MM	2
F05	125					64308-FA7-9000	LID INNER BOX	1
F05	126					64310-FA7-9000	FLOOR PANEL	1
F05	127					90601-F8-9000	NUT SPRING 4MM	13
F05	128					92101-06020-03	BOLT FLANGE 6*20	2
F05	129					92101-06045-03	BOLT FLANGE 6*45	2
F05	133					50326-FA7-9000	COVER BATTERY	1
F05	134					93401-42016-03	SCREW TAPPING 4.2*16 (G)	2

F05	138				64305-FA7-9000	SKIRT R SIDE	1
F05	139				64306-FA7-9000	SKIRT L SIDE	1
F05	140				93401-48016-03	SCREW TAPPING 4.8*16 (G)	8
F05	141				93401-48016-03	SCREW TAPPING 4.8*16 (G)	2
F05	142				92501-06016-03	BOLT SPECIAL 6*16	2
F05	143				95802-06000-03	WANSHWE 6MM (G)	2

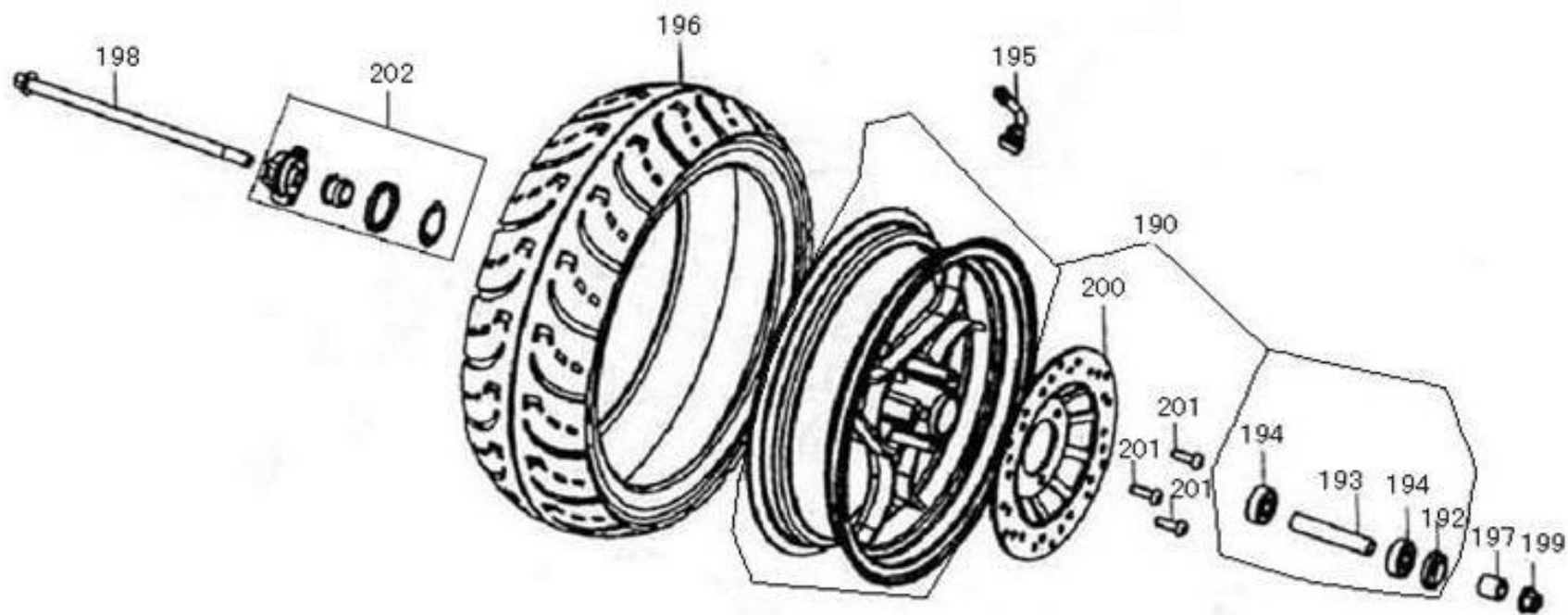
ZN125T-8F (E-MARK) 零部件图册 F06



ZN125T-8F (E-MARK) 零部件图册 F06

页码	区分					部品编号	部品名称(英)	数量
	主	附	细	细	细			
F06	150					50306-FA-9000	NUT STRG STEM LOCK	1
F06	151					53220-FA-9000	THREAD COMP STRG	1
F06	152					53211-FA-9000	RACE STRG TOP CONE	1
F06	153					53213-FA-9000	BALL STEEL	1
F06	154					50301-FA-9000	RACE UP STRG BALL	1
F06	155					50302-FA-9000	RACE (STRG BOT) BALL	1
F06	156					53214-FA-9000	BALL STEEL	1
F06	157					53212-FA-9000	RACE (STRG BOTTOM) CONE	1
F06	160					53200-FA8-9000	STEM COMP STRG	1
F06	161					92201-10040-03	BOLT FLANGE 10*40 (G)	4
F06	162					51500-FA8-9000	FORK SET R FR	1
F06	163					51400-FA8-9000	FORK SET L FR	1
F06	164					45127-B08-9000	CLAMPER C FR BRAKE HOSE	1
F06	165					92101-06012-03	BOLT FLANGE 6*12 (G)	1
F06	166					61106-FA-9000	RUBBER RINGS,CABLE COMP SPDMT	1
F06	170					61100-FA7-9000	FENDER FR INNER (FR)	1
F06	171					61101-FA7-9000	FENDER FR INNER (RR)	1
F06	172					92101-06012-03	BOLT FLANGE 6*12 (G)	6
F06	173					92101-06016-03	BOLT FLANGE 6*16 (G)	1
F06	174					95802-06000-03	WANSHWE 6MM (G)	1
F06	175					90701-DGW-9000	NUT CLIP 6MM	1
F06	176					33741-F8-E000	REFLEX REFLECTOR	2
F06	177					95101-06000-03	NUT FLANGE 6MM (G)	2

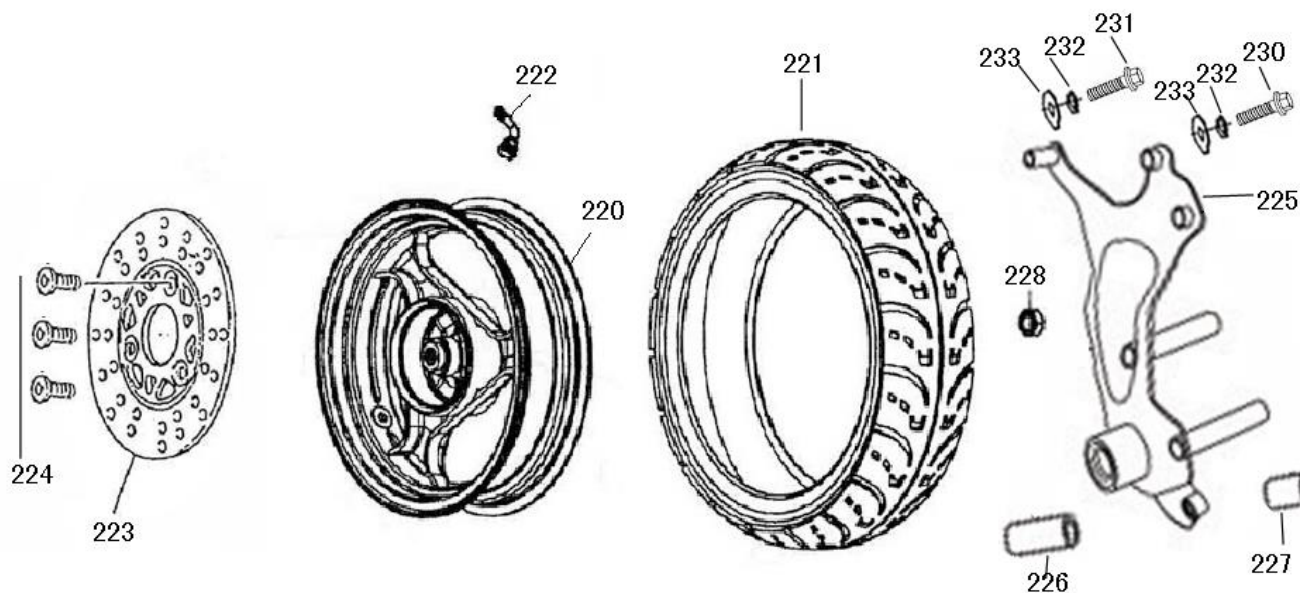
ZN125T-8F (E-MARK) 零部件图册 F07



ZN125T-8F (E-MARK) 零部件图册 F07

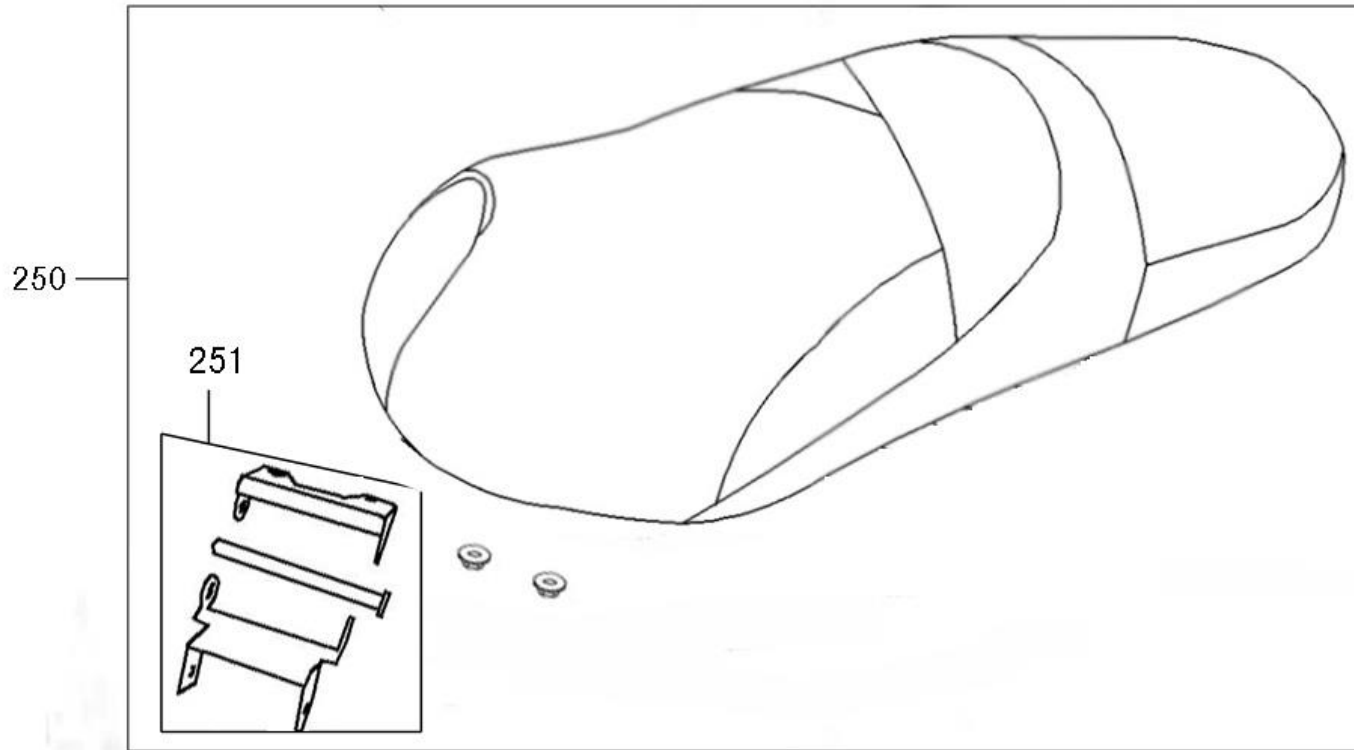
页码	区 分					部品编号	部品名称(英)	数量
	主	附	细	细	细			
F07	190					44600-ABA6-9200	WHEEL SET FR	1
F07		192				91001-FA-9000	DUST SEAL 20*32*5	1
F07		193				44620-FA-9000	COLLAR FR DIST	1
F07		194				96003-63010	BEARING 6301-2RS	2
F07	195					42753-F8-9000	VALVE(PVR-70)&CAP(E)	1
F07	196					44710-FA-9100-B	TIRE ASSY 130/60-13	1
F07	197					44311-ZNW-9000	COLLAR FR WHEEL SIDE	1
F07	198					44301-F8-9000	AXLE FR WHEEL12*250	1
F07	199					95501-12000-03	NUT U FLANGE 12MM (G)	1
F07	200					45121-ZNW-E000	DISK FR BRAKE	1
F07	201					93601-08025-02	BOLR DISK	3
F07	202					44800-FA-9000	GEAR BOX ASSY	1

ZN125T-7F (E-MARK) 零部件图册 F08



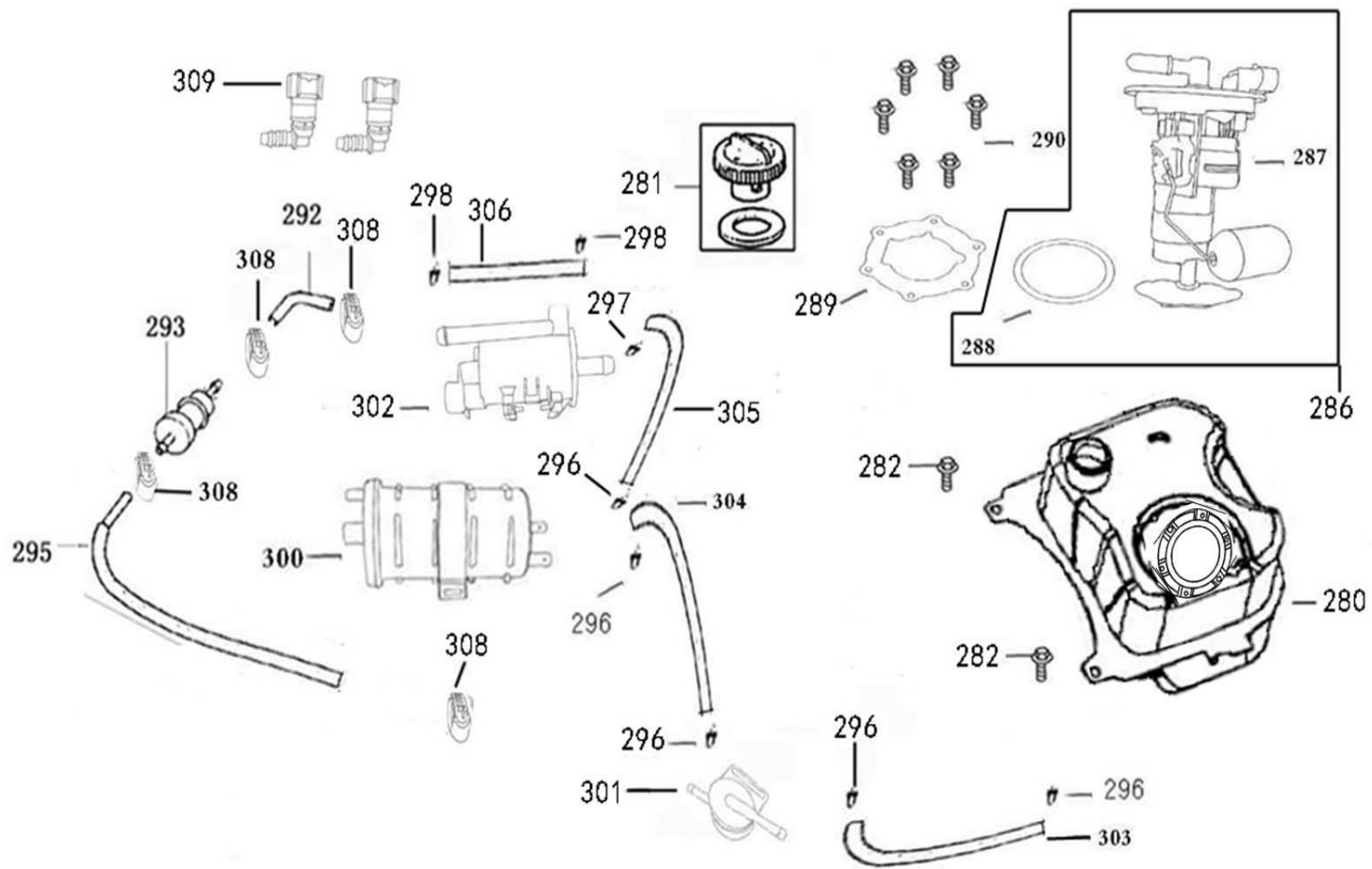
页码	区						数量
	主	附	号				
F08	220			42600-ABA6-9200	WHEEL COMP RR CAST		1
F08	221			44710-FA-9100-B	TIRE ASSY		1
F08	222			42753-F8-9000	VALVE		1
F08	223			43121-ZNW-E000	DI AK FR BRKΦ180mm		1
F08	224			93601-08025-02	BOLT DISK8*25		3
F08	225			43210-LB-9200	CALIPER ASSY STAY		1
F08	226			42313-FA-9000	COLLAR REAR HUB SIDE		1
F08	227			42312-ZNW-9000	COLLAR REAR HUB SIDE		1
F08	228			95502-16000-03	NUT U 16MM(G)		1
F08	230			92201-08045-03	BOLT FLANGER 8*45		1
F08	231			92201-08055-03	BOLT FLANGER 8*55		1
F08	232			95901-08000-03	SPG WASHER 8MM		2
F08	233			95801-08000-03	WASHER 8MM		2

ZN125T-8F (E-MARK) 零部件图册 F09



页码	区分					部品编号	部品名称(英)	数量
	主	附	细	细	细			
F09	250					77200-FA7-9000	SEAT ASSY	1
F09		251				77200-FA-9000	HINGE SEAT	1
F09		~				95201-06000-03	NUT FANGE 6MM	2

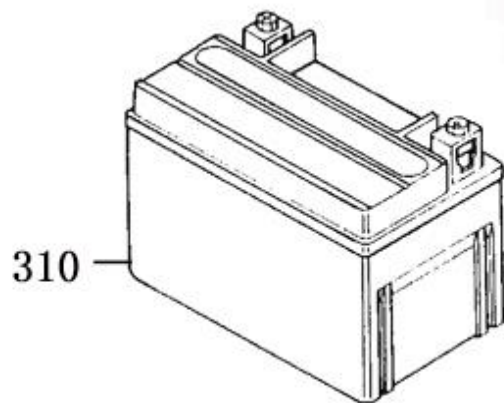
ZN125T-8F (E-MARK) 零部件图册 F10



ZN125T-8F (E-MARK) 零部件图册 F10

页码	区 分					部品编号	部品名称(英)	数量
	主	附	细	细	细			
F10	280					17500-AFAG-9000	TANK COMP FUEL	1
F10	281					92101-06012-03	BOLT FLANGE 6*12 (G)	4
F10	282					17620-F8-A000	CAP COMP FUEL FILLER	1
F10	286					39370-AFAG-9000	Vertical fuel pump assembly	1
F10		287				39371-AFAE-9000	Vertical fuel pump assembly	1
F10		288				39372-AFAE-9000	The rubber gasket	1
F10		289				39373-AFAE-9000	Oil pump installation clamp	1
F10	290					93201-05012-03	The M5 * 12 pan head screw	6
F10	292					1768A-AFAG-9000	TUBE ASSY FUEL	1
F10	293					39375-AFAA-9000	STRAINER COMP FUEL	1
F10	295					1768A-AFAG-9100	TUBE FUEL ASSY	1
F10	296					19412-F8-9000	CLIP HOSE Φ7.5	5
F10	297					19411-ABA4-9000	CLIP HOSE Φ9.5	1
F10	298					19411-F8-9200	CLIP HOSE Φ11	2
F10	300					18800-AFAA-9000	canister	1
F10	301					18810-F8-8100-JL	Dump valve	1
F10	302					18227-AFAA-9000	Canister solenoid valve	1
F10	303					18825-AFAG-9000	Tank to the dump valve to take over	1
F10	304					18826-AFAG-9000	Dump valve to the canister to take over	1
F10	305					18830-AFAE-9000	Canister to solenoid valve to take over	1
F10	306					18831-AFAG-9000	Solenoid valve to the inlet pipe to take over	1
F10	308					19420-B08-9200	Stainless steel band	4
F10	309					39374-AFAE-9000	Efi tubing connector	1

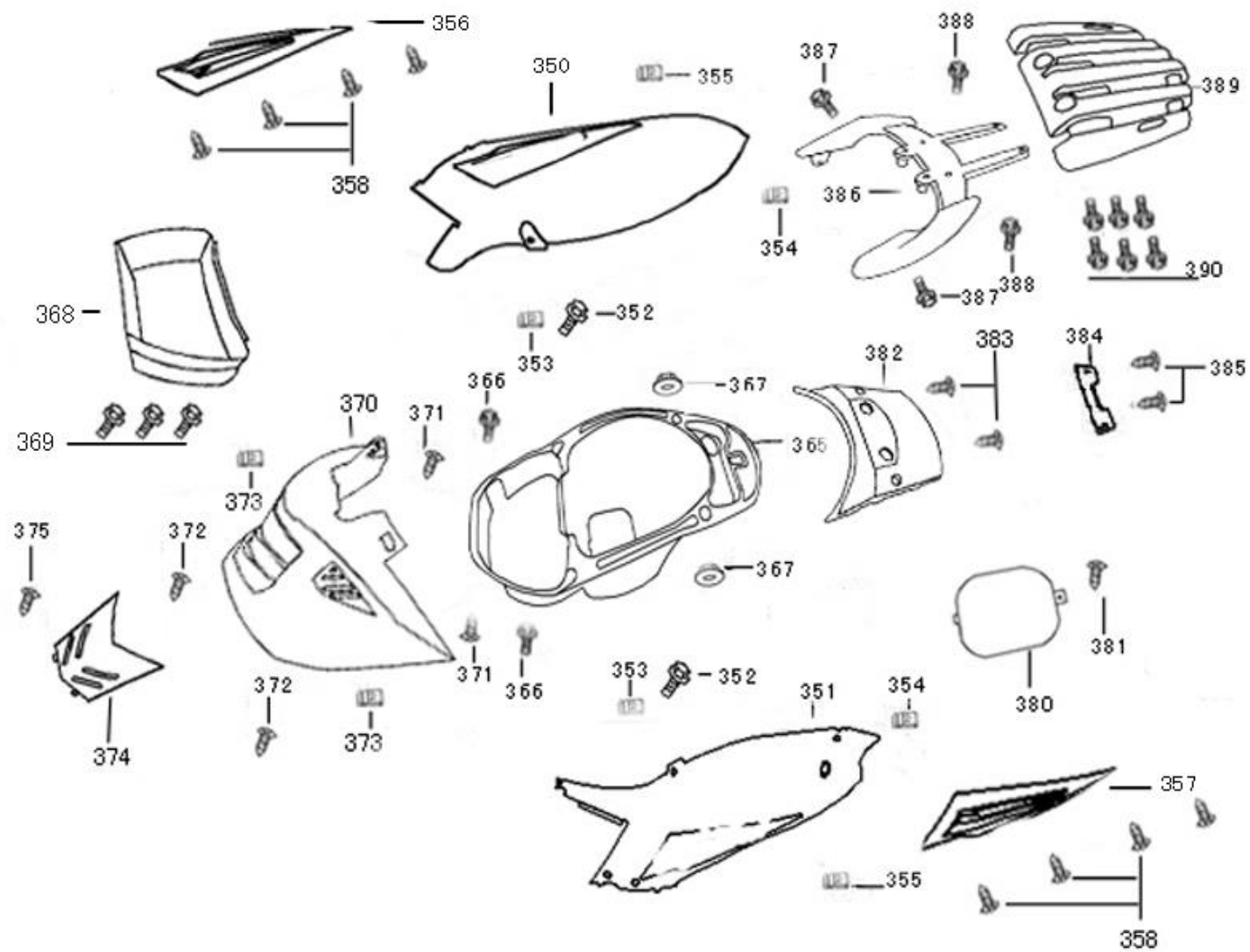
ZN125T-8F (E-MARK) 零部件图册 F11



ZN125T-8F (E-MARK) 零部件图册 F11

页码	区 分					部品编号	部品名称(英)	数量
	主	附	细	细	细			
F11	310					31500-F8-A200	BATTERY YTX7A-BS	1
F11	310					31500-F8-A000-A00B	BATTERY YTX7A-BS	1
F11	310					31500-F8-A000-A00D	BATTERY YTX7A-BS	1

ZN125T-8F (E-MARK) 零部件图册 F13

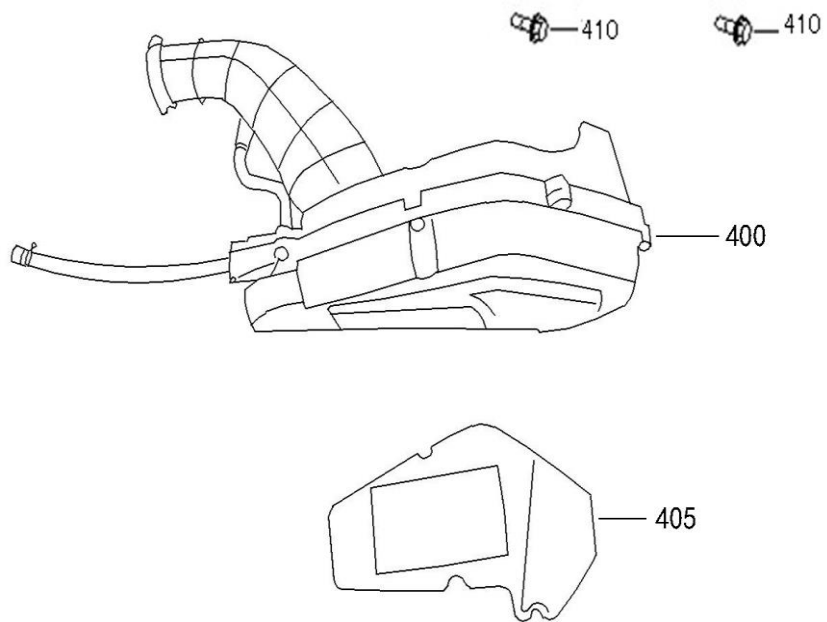


ZN125T-8F (E-MARK) 零部件图册 F13

页码	区分					部品编号	部品名称(英)	数量
	主	附	细	细	细			
F13	350					83500-FA7-9000	COVER R BODY SIDE	1
F13	351					83600-FA7-9000	COVER L BODY SIDE	1
F13	352					92101-06016-03	BOLT FLANGE 6*16	2
F13	353					90601-F8-9000	NUT SPRING 4MM	2
F13	354					90601-F8-9000	NUT SPRING 4MM	2
F13	355					90601-F8-9000	NUT SPRING 4MM	2
F13	356					83502-FA7-9000	accessorize strip right after	1
F13	357					83602-FA7-9000	accessorize strip left after	1
F13	358					93401-42012-03	SCREW TAPPING 4.2*12	8
F13	365					81250-FA7-9000	BOX LUGGAGE ASSY	1
F13	366					92101-06016-03	BOLT FLANGE 6*16	2
F13	367					95201-06000-03	NUT FANGE 6MM	2
F13	368					81260-FA7-9000	SMALL BOX LUGGAGE ASSY	1
F13	369					92101-06016-03	BOLT FLANGE 6*16	3
F13	370					83750-FA7-9000	FR COVER LUGGAGE	1
F13	371					93401-48016-03	SCREW TAPPING 4.8*16	2
F13	372					93401-48016-03	SCREW TAPPING 4.8*16	2
F13	373					90601-F8-9000	NUT SPRING 4MM	2
F13	374					83753-FA7-9000	LOOK-IN COVER	1
F13	375					93401-48016-03	SCREW TAPPING 4.8*16	1
F13	380					81257-FA7-9000	COVER ASSY CARB MAINT	1
F13	381					93401-48016-03	SCREW TAPPING 4.8*16	1
F13	382					83755-FA7-9000	COVER REAR CENTER	1
F13	383					93401-48016-03	SCREW TAPPING 4.8*16	2
F13	384					83751-FA7-9000	MOLDING REAR CENTER	1

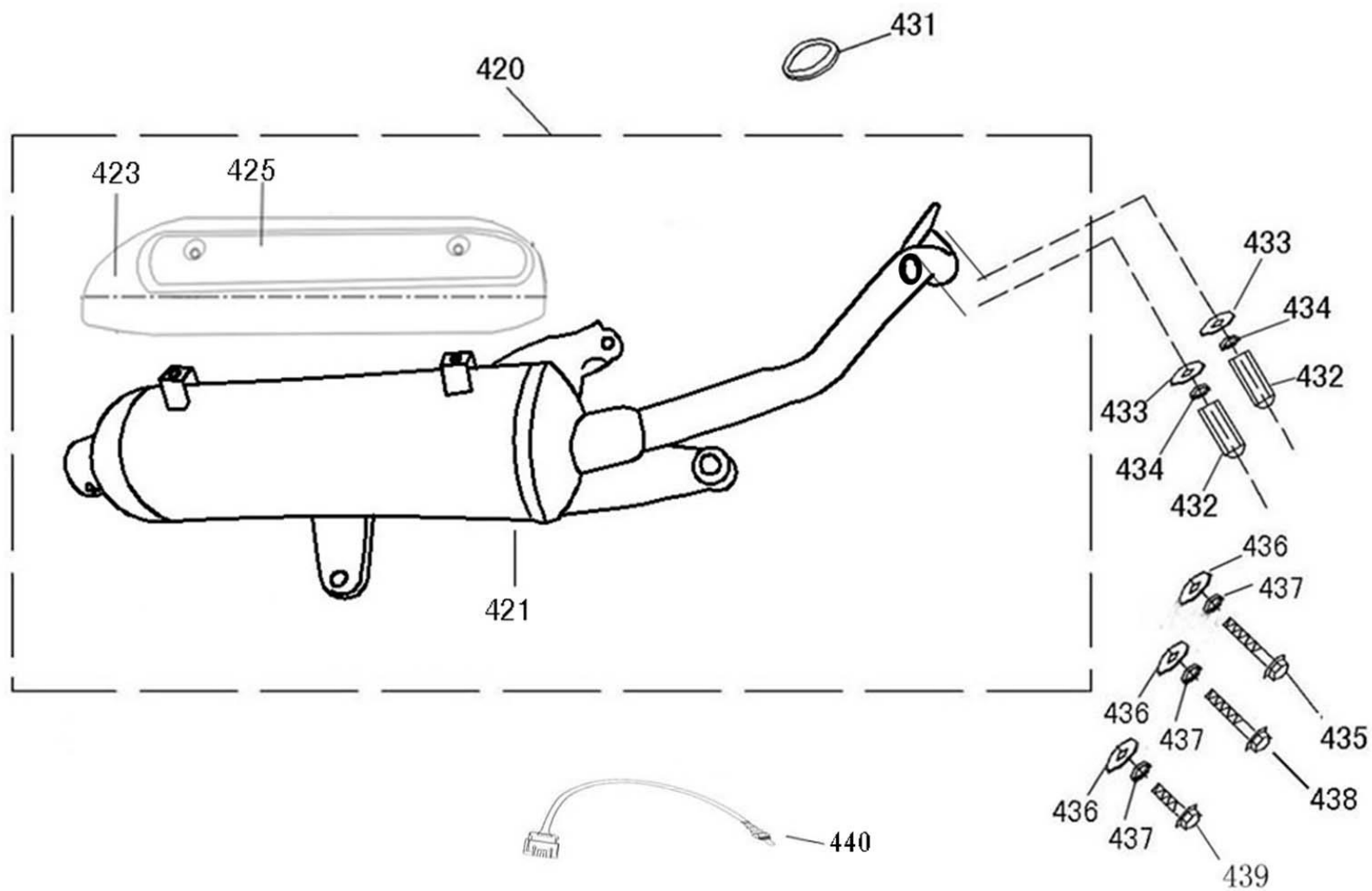
F13	385				93401-42016-03	SCREW TAPPING 4.2*16	2
F13	386				81200-FA7-9000	REAR CARRIER	1
F13	387				92201-08030-03	BOLT FLANGE 8*30	2
F13	388				92101-06055-03	BOLT FLANGE 6*55	2
F13	389				81207-FA7-9000	DECORATED BOARD,REAR CARRIER	1
F13	390				92101-06012-03	BOLT FLANGE 6*12	6

ZN125T-8F (E-MARK) 零部件图册 F14



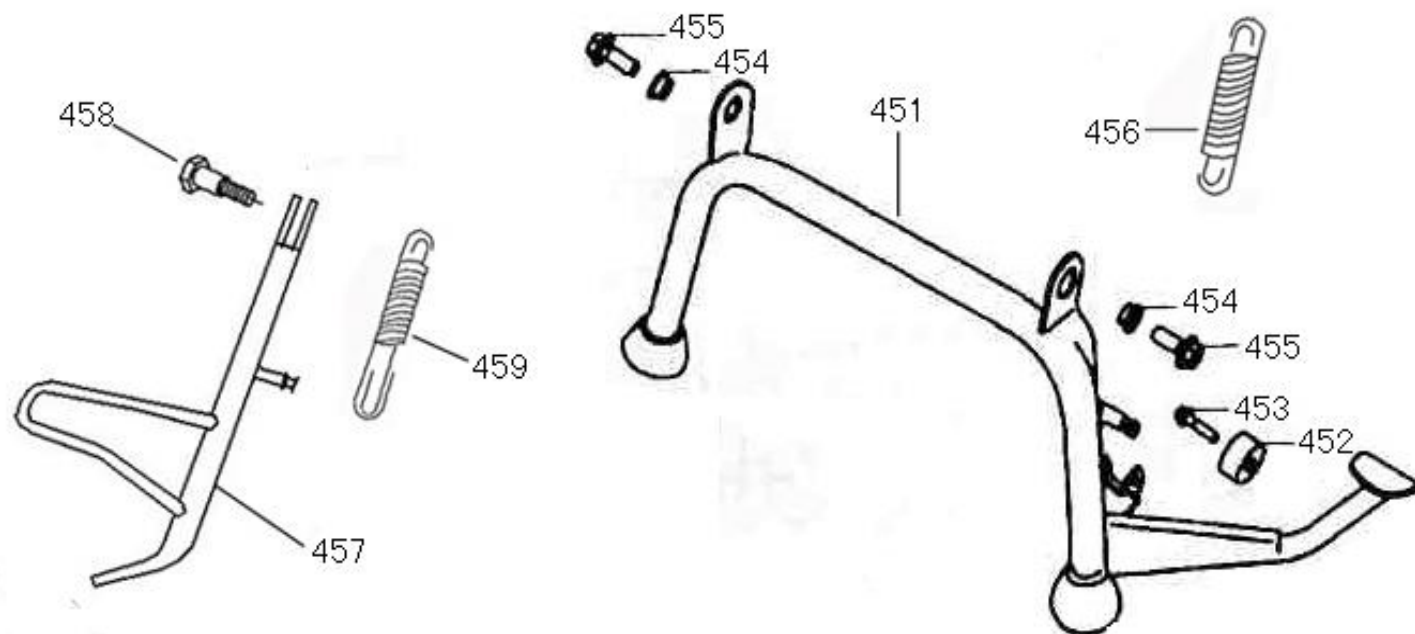
ZN125T-8F (E-MARK) 零部件图册 F14

页码	区分					部品编号	部品名称(英)	数量
	主	附	细	细	细			
F14	400					17200-ADA5-E000	AIR/C ASSY	1
F14		405				17211-ADA5-9000	ELEMENT COMP AIR/C	1
F14	410					92401-06025-03	BOLT FLANGE 6*25	2



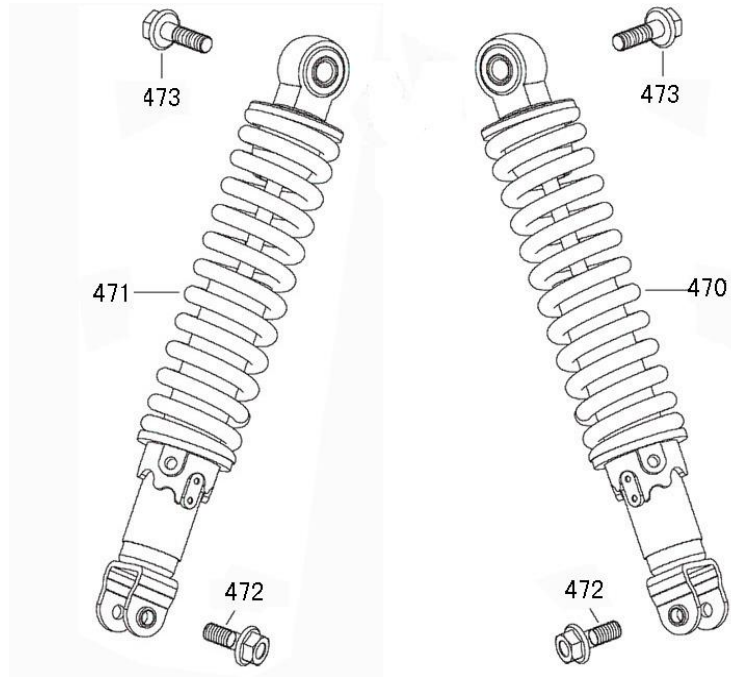
ZN125T-8F (E-MARK) 零部件图册 F15

页码	区分					部品编号	部品名称(英)	数量
	主	附	细	细	细			
F15	420					1830A-AFAG-E000	MUFFLER ASSY EXH	1
F15		421				18300-AFAG-E000	MUFFLER COMP EXH	1
F15		423				18318-ZNW-9000	PROTECTOR MUFFLER	1
F15		~				92701-06016-03	SCREW SPECIAL 6*16	2
F15		425				18320-ZNW-9000	COVER,PROTECTOR MUFFLER	1
F15		~				93401-48016-03	SCREW TAPPING 4.8*16 (G)	2
F15		~				90601-F8-9000	NUT SPRING 4MM	2
F15	431					18291-F8-9000	GASKET EXH PIPE	1
F15	432					90201-F8-9000	NUT (HEX) CAP 6MM	2
F15	433					95801-06000-03	WASHER 6MM	2
F15	434					95901-06000-03	SPG WASHER 6MM	2
F15	435					92201-08100-03	BOLT FLANGER 8*100	1
F15	436					95801-08000-03	WASHER 8MM	3
F15	437					95901-08000-03	SPG WASHER 8MM	3
F15	438					92201-08075-03	BOLT FLANGER 8*75	1
F15	439					92201-08020-03	BOLT FLANGER 8*20	1
F15	440					39350-AFAA-9000	Oxygen sensor	1



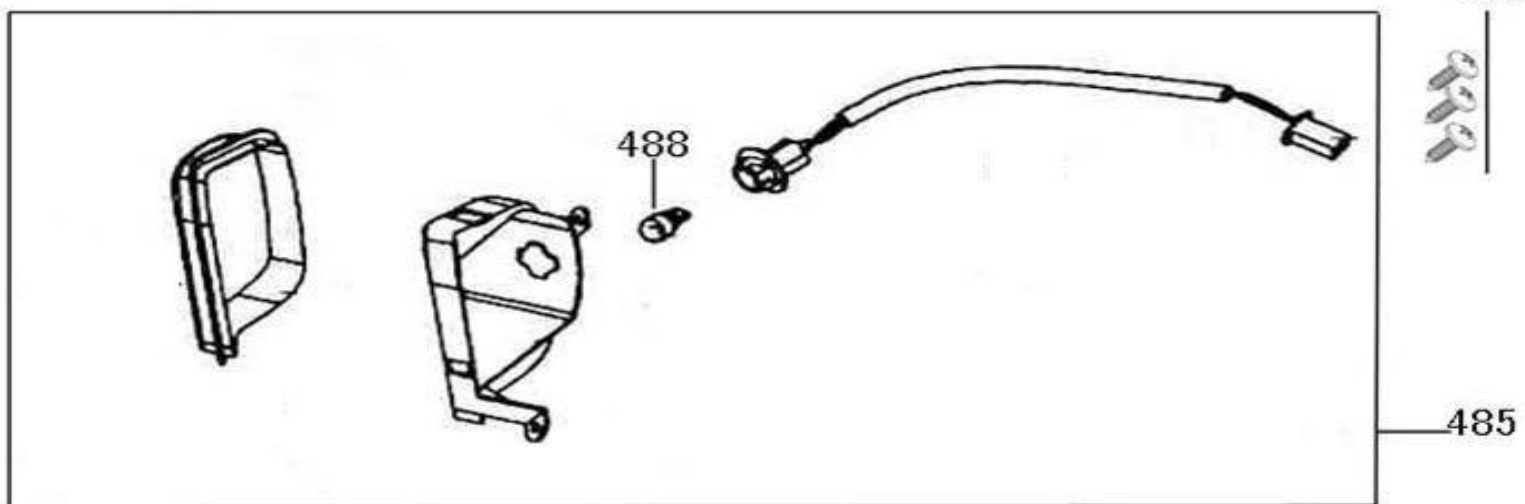
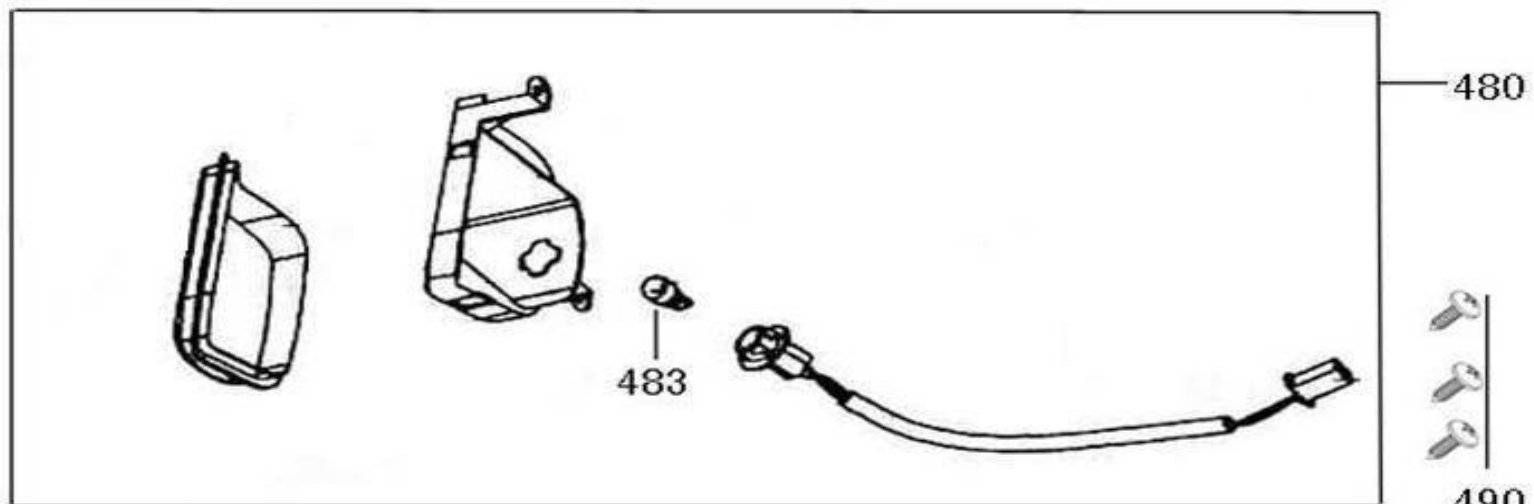
页码	区 分					部品编号	部品名称(英)	数量
	主	附	细	细	细			
F16	451					50500-FA7-9000	STAND COMP MAIN	1
F16	452					50505-F8-9000	STOPPER RUBBER	1
F16	453					93002-06028-03	BOLT FLANGE 6*28 (G)	1
F16	454					50502-F8-9000	COLLAR MAIN STAND	2
F16	455					92201-10025-03	BOLT FLANGE 10*25 (G)	2
F16	456					95014-ALA3-9000	SPG D MAIN STAND	2
F16	457					50530-FA8-E000	SIDE STAND COMP	1
F16	458					90101-TW-E000	SCREW SIDE STAND PIVOT	1
F16	459					95015-DGW-E000	SPG B1 SIDE STAND	1

ZN125T-8F (E-MARK) 零部件图册 F17



ZN125T-8F (E-MARK) 零部件图册 F17

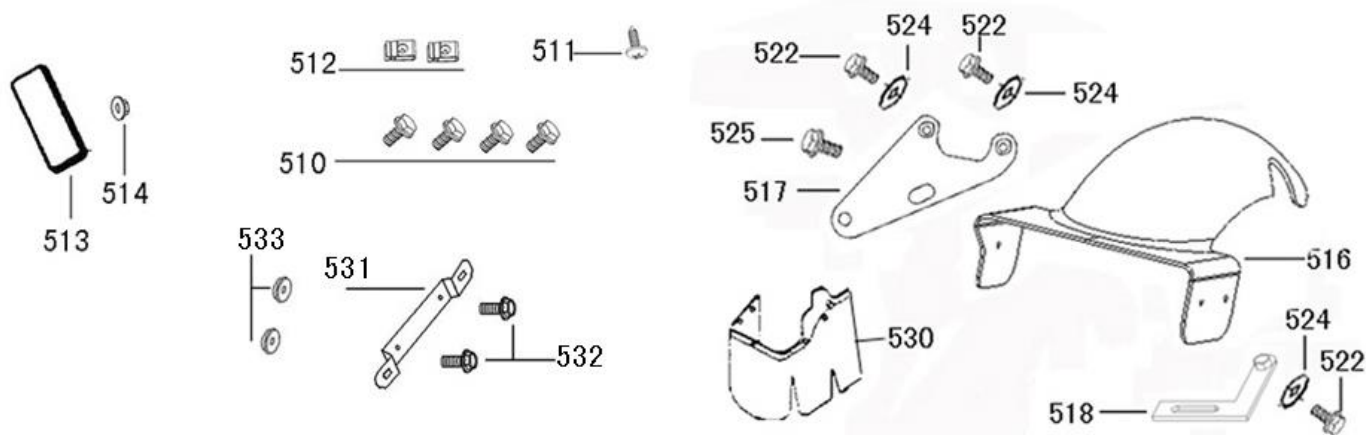
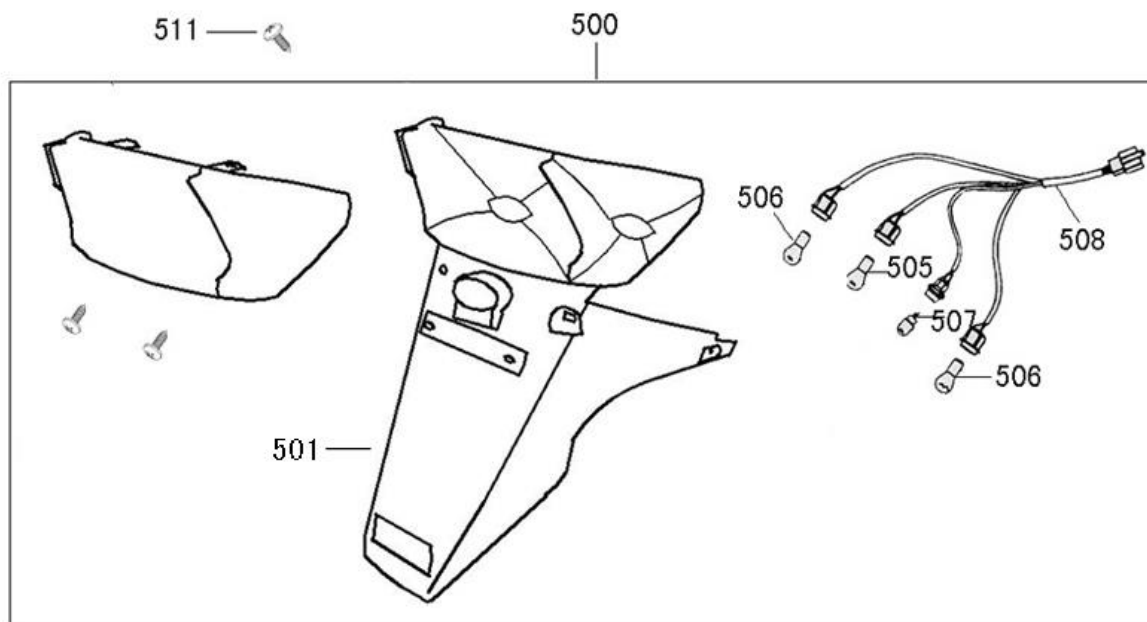
页码	区 分					部品编号	部品名称(英)	数量
	主	附	细	细	细			
F17	470					52500-FA-9000	CUSHION ASSY RR L	1
F17	471					52400-FA-9000	CUSHION ASSY RR R	1
F17		472				92201-08032-03	BOLT FLANGE 8*32 (G)	2
F17	473					92201-10040-03	BOLT FLANGE 10*40 (G)	2



ZN125T-8F (E-MARK) 零部件图册 F18

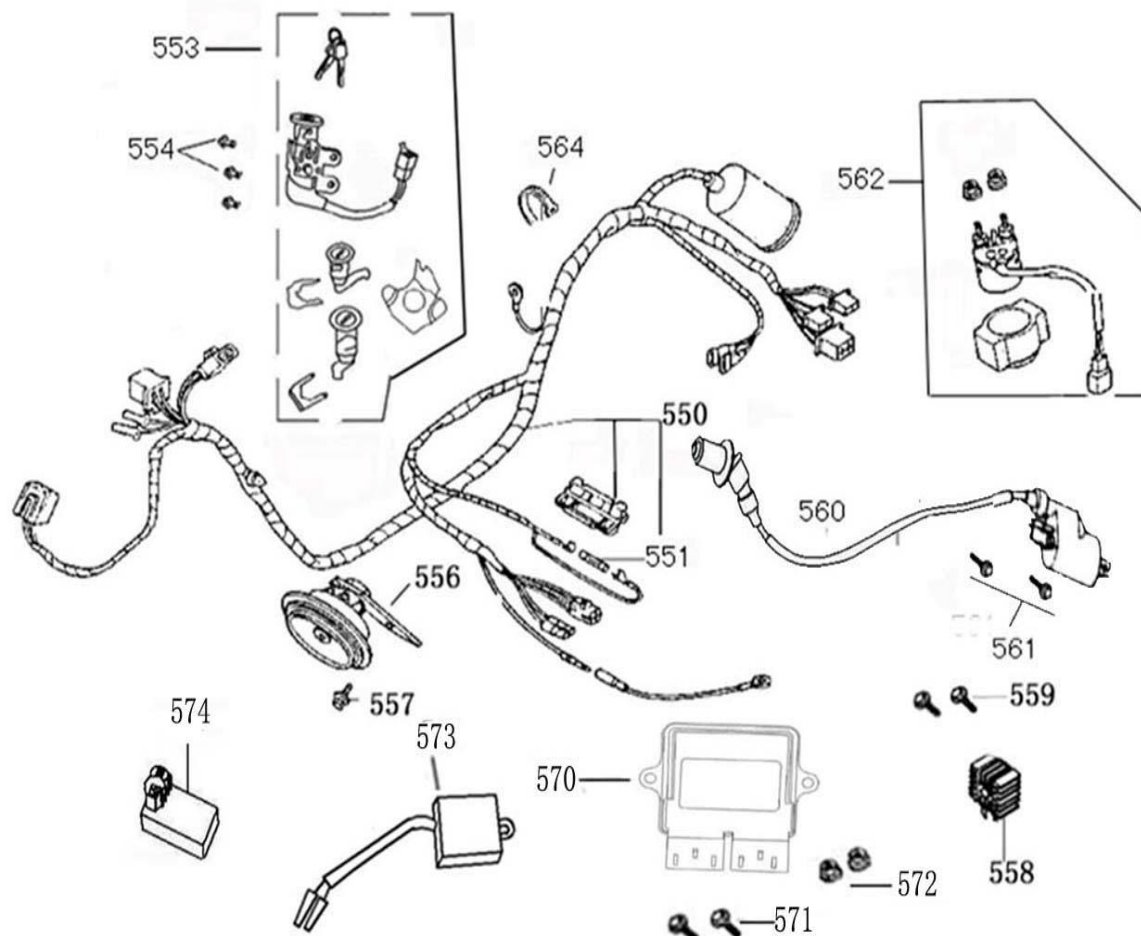
页码	区 分					部品编号	部品名称(英)	数量
	主	附	细	细	细			
F18	480					33400-FA7-9000	WINKER ASSY FR R	1
F18		483				34905-F8-9000	BULB WINKER 12V10W	1
F18	485					33450-FA7-9000	WINKER ASSY FR L	1
F18		488				34905-F8-9000	BULB WINKER 12V10W	1
F18	490					93401-42012-03	SCREW TAPPING 4.2*12	6

ZN125T-8F (E-MARK) 零部件图册 F19



ZN125T-8F (E-MARK) 零部件图册 F19

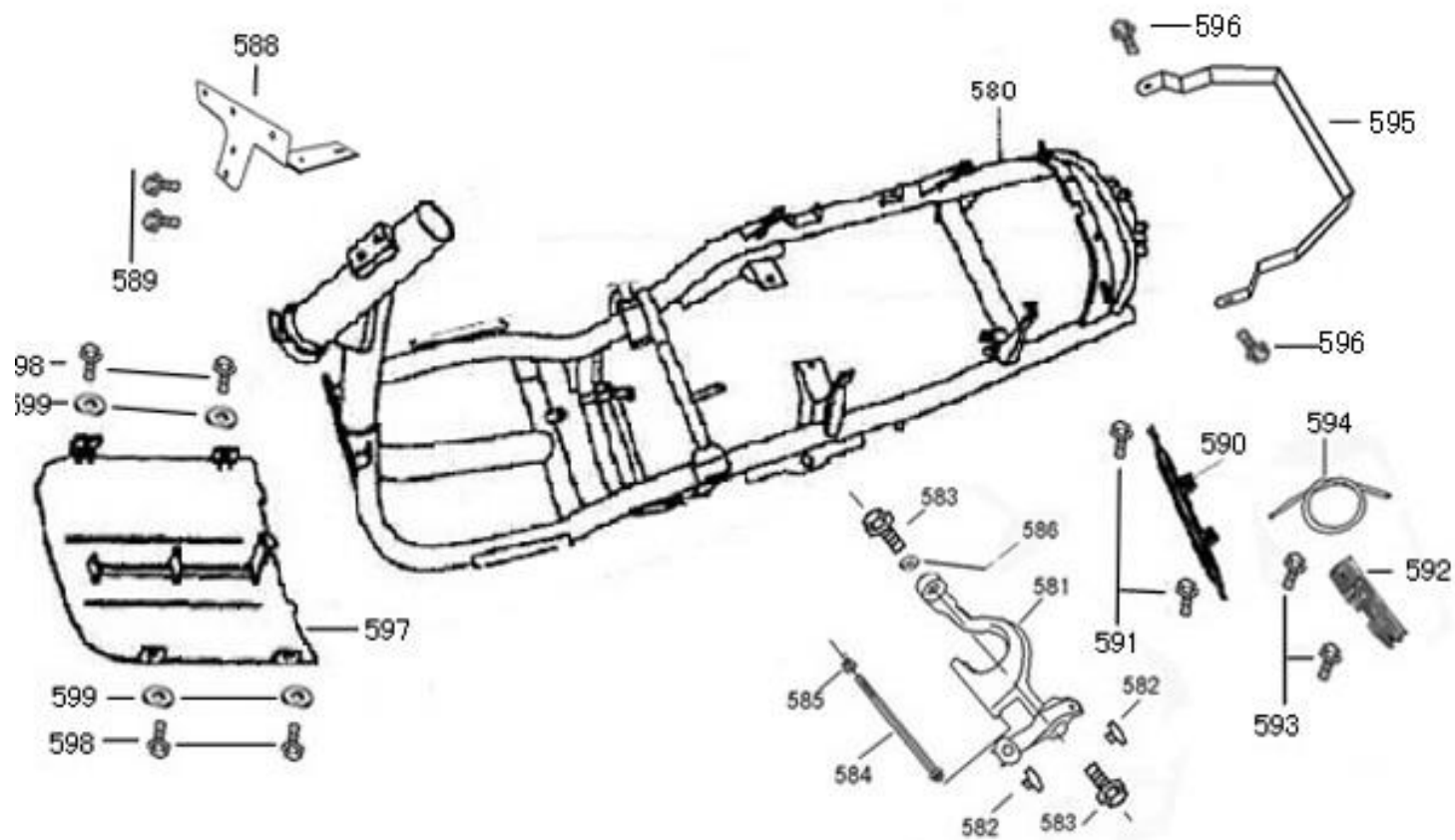
页码	区 分					部品编号	部品名称(英)	数量
	主	附	细	细	细			
F19	500					33700-FA7-9000	LIGHT ASSY RR COMB	1
F19		501				80105-FA7-9000	FENDER RR	1
F19		505				34960-F8-9000	BULB TAIL LIGHT 12V21/5W	1
F19		506				34910-F8-9000	BULB WINKER 12V10W	2
F19		507				34903-F8-9000	SIDELIGHTS BULB 12V 5W	1
F19		508				33707-FA7-9000	SOCKET COMP RR COMB	1
F19	510					92101-06016-03	BOLT FLANGE 6*16	4
F19	511					93401-48016-03	SCREW TAPPING 4.8*16	2
F19	512					90601-F8-9000	NUT SPRING 4MM	2
F19	513					33751-F8-E000	REFLEX REFLECTOR RR	1
F19	514					95101-06000-03	NUT FLANGE 6MM	1
F19	516					80102-FA3-9000	FENDER RR TIRE	1
F19	517					80110-FA-9000	STAY FENDER RR TIRE	1
F19	518					80109-FA-9000	STAY FENDER RR TIRE	1
F19	522					92101-06016-03	BOLT FLANGE 6*16 (G)	3
F19	524					95801-06000-03	WASHER 6MM	3
F19	525					92201-08016-03	BOLT FLANGE 8*16 (G)	1
F19	530					80106-FA-9000	PLATE SPLASH GUARD	1
F19	531					84707-B08-9000	UNDER NUMBER BRKT RR	1
F19	532					92101-06016-03	BOLT FLANGE 6*16 (G)	2
F19	533					95201-06000-03	NUT FFANGE 6MM	2



ZN125T-8F (E-MARK) 零部件图册 F20

页码	区 分					部品编号	部品名称(英)	数量
	主	附	细	细	细			
F20	550					32100-AFAG-E000	HARNESS WIRE	1
F20		551				98200-11500	FUSE 15A	4
F20	553					35010-FA8-9000	SW COMP LOCK	1
F20	554					92101-06016-03	BOLT FLANGE 6*16	3
F20	556					38110-XF-9000	HORN COMP	1
F20	557					92101-06012-03	BOLT FLANGE 6*12	1
F20	558					31600-AFAA-9000	REG REC COMP	1
F20	559					92101-06016-03	BOLT FLANGE 6*16	2
F20	560					3051A-AFAA-9000	COIL ASSY IGN	1
F20	561					92401-06020-03	BOLT FLANGE 6*20	2
F20	562					35850-DGW-9100	SET START MAG ASSY	1
F20	564					90006-F8-9000	BAND OIL HOSE	8
F20	569					32105-AFAE-E000	SPECIAL RELAY	2
F20	570					39100-AFAG-9000	ECU	1
F20	571					92101-06016-03	BOLT FLANGE 6*16 (G)	2
F20	572					95201-06000-03	NUT FLANGE 6MM (G)	4
F20	573					38300-F8-9300	flasher	1
F21	574					38400-AFAA-9000	Headlight controller	1

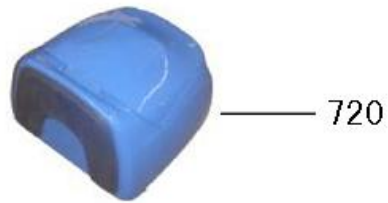
ZN125T-8F (E-MARK) 零部件图册 F21



ZN125T-8F (E-MARK) 零部件图册 F21

页码	区 分					部品编号	部品名称(英)	数量
	主	附	细	细	细			
F21	580					50100-AFAG-9000	BODY COMP FRAME	1
F21	581					50350-FA8-9000	BRKT ENG HANGER	1
F21	582					50352-F8-9000	BUSH SWING LOCK	2
F21	583					92201-10055-03	BOLT FLANGE 10*55 (G)	2
F21	584					50356-F8-9000	BOLT ENG HANGER	1
F21	585					95401-10000-03	NUT U FLANGE 10MM (G)	1
F21	586					99121-F8-9000	COLLAR DISTANCE	1
F21	588					38101-FA7-9000-B	STAY,HORN	1
F21	589					92201-06016-03	BOLT FLANGE 6*16	2
F21	590					82335-FA-9000	STAY LUGGAGE BOX	1
F21	591					92101-06016-03	BOLT FLANGE 6*16 (G)	2
F21	592					77235-FA-9000-B	SEAT CATCH COMP	1
F21	593					92701-06012-03	SCREW SPECIAL 6*12	2
F21	594					77240-DGW-9000	CABLE SEAT LOCK	1
F21	595					50320-FA7-9000-B	REAR STAY	1
F21	596					92101-08016-03	BOLT FLANGE 8*16 (G)	2
F21	597					50613-FA7-9000	COVER UNDER	1
F21	598					92101-06016-03	BOLT FLANGE 6*16 (G)	4
F21	599					95801-06000-03	WANSHWE 6MM (G)	4

ZN125T-8F (E-MARK) 零部件图册 F27



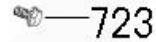
720



721



722



723



724



725

页码					称(英)	数量	
	主	附	细	细			
F27	720				8150A-FA-9000	RR BOX ASSY	1
F27	721				89010-F8-9000	TOOL SET	1
F27	722				88140-F8-9000	SW FLAMEOUT SIDE STAND	1
F27	723				92101-06016-03	BOLT FLANGER 6*16	1
F27	724				88130-F8-9000	BURGLAR ALARM	1
F27	725				88139-ZNW-9000	ALARM PRESS BOARD(OPTIONAL)	1
F24	714				87226-FA7-E000	CAUTION ANTI TAMPERING	1
F24	715				87227-F8-E000	ID MARK	1
F24	717				99851-F8-9000	RIVET 3.2*9.8	4