

CIVITAS 125 ZN125T-19 ADAMOTO



F-1 工具箱  
(Tool box)



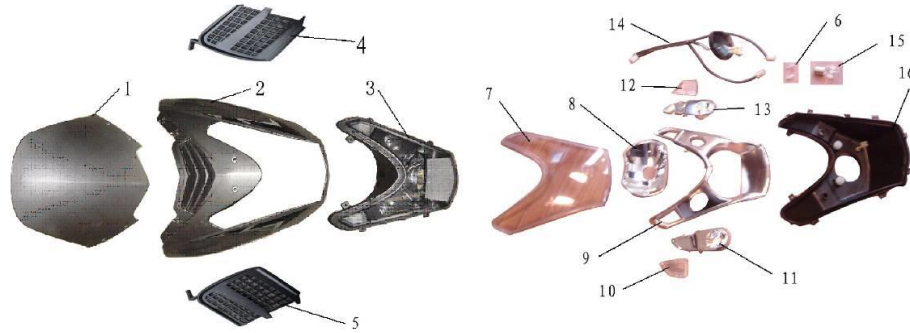
序号	图号	英文名称	数量
N	Part no	Description	Qty
1	125T-19-050600	Foot plate	1
2	125T-19-050501	Tool box	1
3	125T-19-050503	Tool box cover	1
4	125T-19-050502	No. cover	1
5	125T-19-050504	Tool box rocker	1
6	125T-19-050005	Ingnite smoke	1
7	125T-19-000007	Motorcycle safety helmet pothook	1

F-2 座垫总成&杂物箱  
 Seat cushion & Luggage case



序号	图号	英文名称	数量
N	Part no	Description	Qty
1	125T-19-002001	Seat groupware	1
2	125T-19-050001	Sundries box	1
3	125T-19-050003	Battery cover	1
4	125T-19-050004	Sundries box fr cover	1
5	125T-19-050002	Sundries box cover	1
6	125T-19-002002	Seat bracket	1

F-3 前大板  
Front board



序号	图号	英文名	数量
N	Part no	Description	Qty
1	125T-19-000006	windshield	1
2	125T-19-050101	Fr board	1
3	125T-19-050102	Headlight groupware	1
4	125T-19-050101.1	Fr board grid,left	1
5	125T-19-050101.2	Fr board grid,right	1
6	125T-19-050102.1	position bulb	1
7	125T-19-050102.2	headlight chimney	1
8	125T-19-050102.3	headlight glisten cover	1
9	125T-19-050102.4	headlight middle cover	1
10	125T-19-050102.5	headlight right decorate glass	1
11	125T-19-050102.6	position light right lamp holder	1
12	125T-19-050102.7	headlight left decorate glass	1
13	125T-19-050102.8	position light left lamp holder	1
14	125T-19-050102.9	headlight wiring harness	1
15	125T-19-050102.10	headlight bulb	2
16	125T-19-050102.11	headlight lamp holder	1

F-4 燃油箱总成

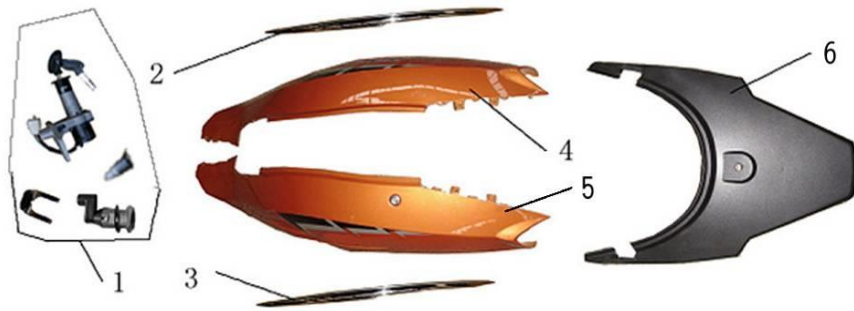
Fuel tank



序号	图号	英文名称	数量
N	Part no	Description	Qty
1	125T-19-060100	Fuel tank	1
2	125T-19-060101	Oil digit sensor	1
3	125T-19-060102	Sensor press board and airproof circle	各1
4	125T-19-060001	Gasoline pipe	3
5	125T-19-060003	Vacuum tube	1
6	125T-19-060105	filter	1
7	125T-19-060103	Self-priming switch	1
8	125T-19-060104	Cover, gasoline tank	1
9	125T-19-060004	Circlip	1
10	125T-19-060002	spring	3
11	125T-19-060006	add oil glue mat	1

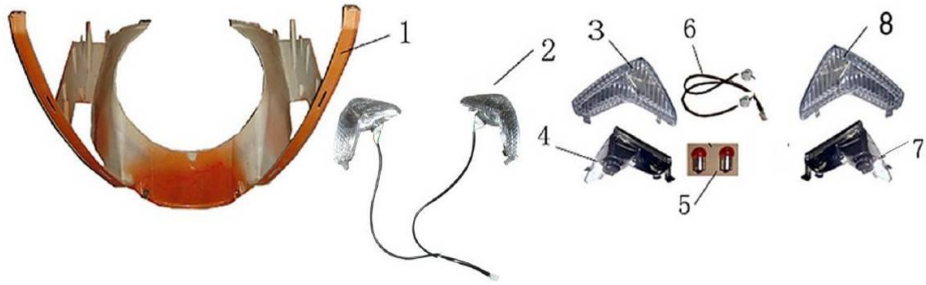
F-5 装饰板&护条

Plate comp plastic&moulding



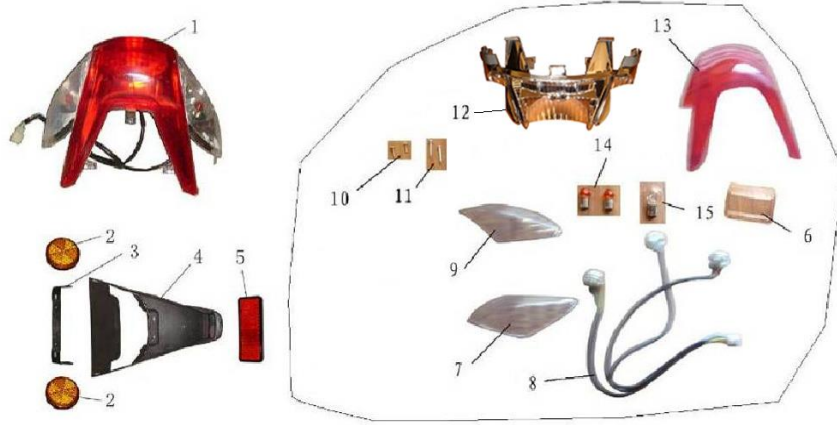
序号	图号	英文名称	数量
N	Part no	Description	Qty
1	125T-19-030001	Key Set Comp	1
2	125T-19-050302	right decorate piece	1
3	125T-19-050302	left decorate piece	1
4	125T-19-050301	right decorate board	1
5	125T-19-050301	left decorate board	1
6	125T-19-050700	Rr decorate board	1

F-6 前护条&前转向灯  
moulding&Winkers



序号	图号	英文名称	数量
N	Part no	Description	Qty
1	125T-19-050201	L and R moulding	1
2	125T-19-050202	L and R winker front	1副
3	125T-19-050202.1	shell ,L lamp front	1
4	125T-19-050202.2	shell base,L lamp front	1
5	125T-19-050202.3	bulb	2
6	125T-19-050202.4	wiring harness	1
7	125T-19-050202.5	shell base R lamp front	1
8	125T-19-050202.6	shell ,R lamp front	1

F-7 尾灯总成  
Taillight



序号	图号	英文名称	数量
N	Part no	Description	Qty
1	125T-19-050900	Rr taillight (with l/r/rr turning light)	1
2	125T-19-050804	Side reflector	2
3	125T-19-050803	Rr license plate bracket	1
4	125T-19-050801	Rr trail board	1
5	125T-19-050802	Rr referctor	1
6	125T-19-050900.1	position light glass	1
7	125T-19-050900.2	right/ rear turning light chimney	1
8	125T-19-050900.3	taillight wiring harness	1
9	125T-19-050900.4	left/ rear turning light chimney	1
10	125T-19-050900.5	taillight chimney install bolt	2
11	125T-19-050900.6	taillight l/r turing install bolt	2
12	125T-19-050900.7	rear turning light holder	1
13	125T-19-050900.8	rear turning light chimney	1
14	GB15776.1-1995.1	bulb 12V10W	2
15	GB15766.1-1995.3	tailligh P21/5W 12V	1

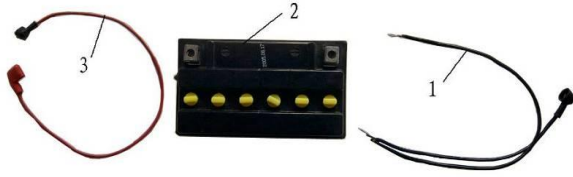


F-8 载物架  
Luggage carrier



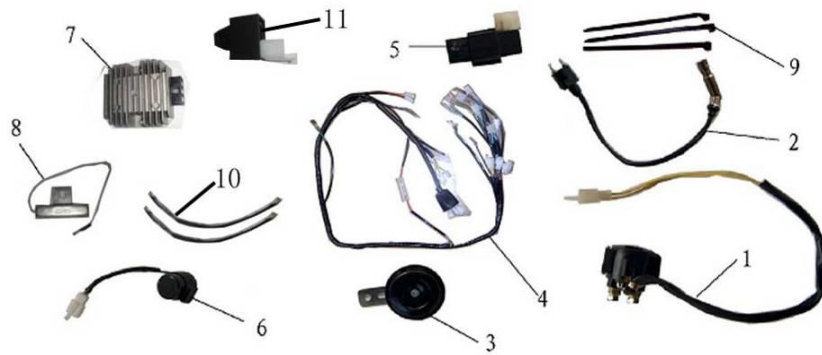
序号	图号	英文名称	数量
N	Part no	Description	Qty
1	125T-19-003000	Luggage carrier	1

蓄电池  
Battery



序号	图号	英文名称	数量
N	Part no	Description	Qty
1	125T-19-070005	Cathode line	1
2	125T-19-070400	Battery assy	1
3	125T-19-070006	Anode line	1

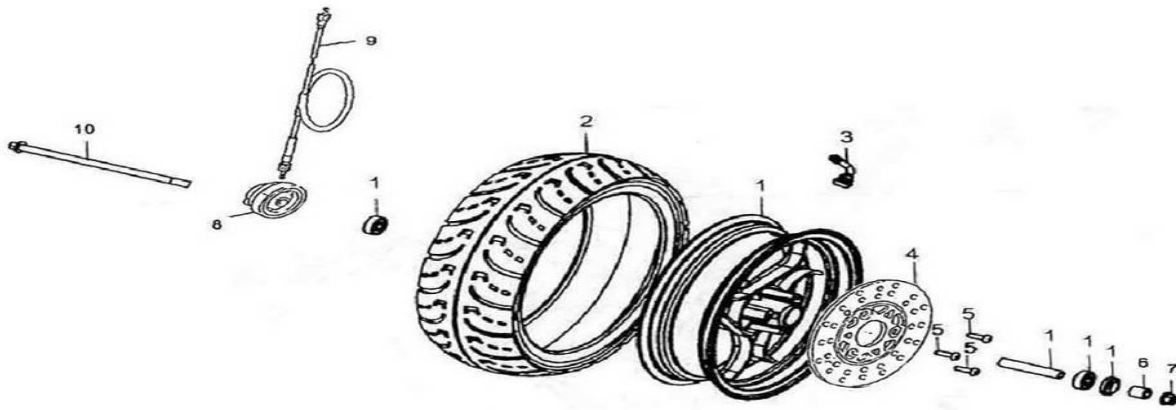
F-9 主电缆  
Wire harness



序号	图号	英文名称	数量
N	Part no	Description	Qty
1	125T-19-070100	Start-up relay	1
2	125T-19-070200	Ignition loop	1
3	125T-19-070300	horn	1
4	125T-19-070001	cable	1

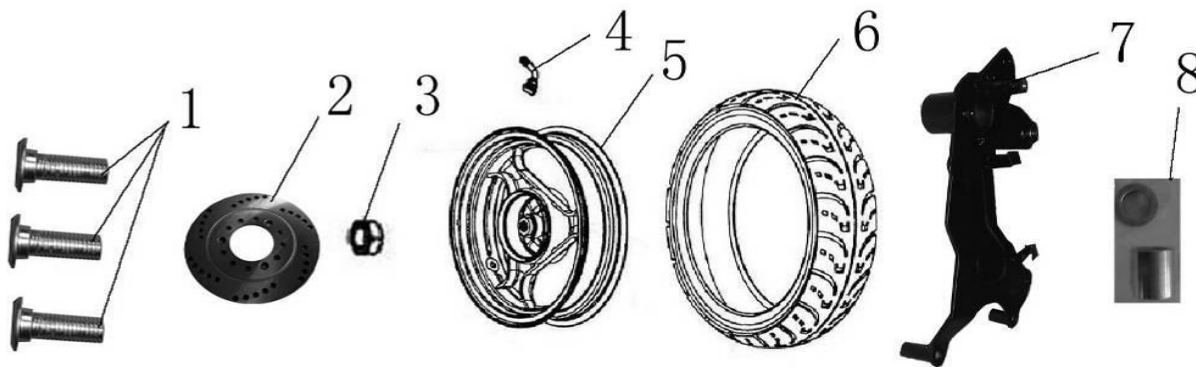
5	125T-19-070002	ignition	1
6	125T-19-070003	flasher	1
7	125T-19-070004	manostat	1
8	125T-19-070007	resistance	1
9	125T-19-090020	wrap	1套
10	125T-19-070001.1	brake switch cable	2
11	125T-19-070008	controller	1

F-10 前轮  
Front wheel



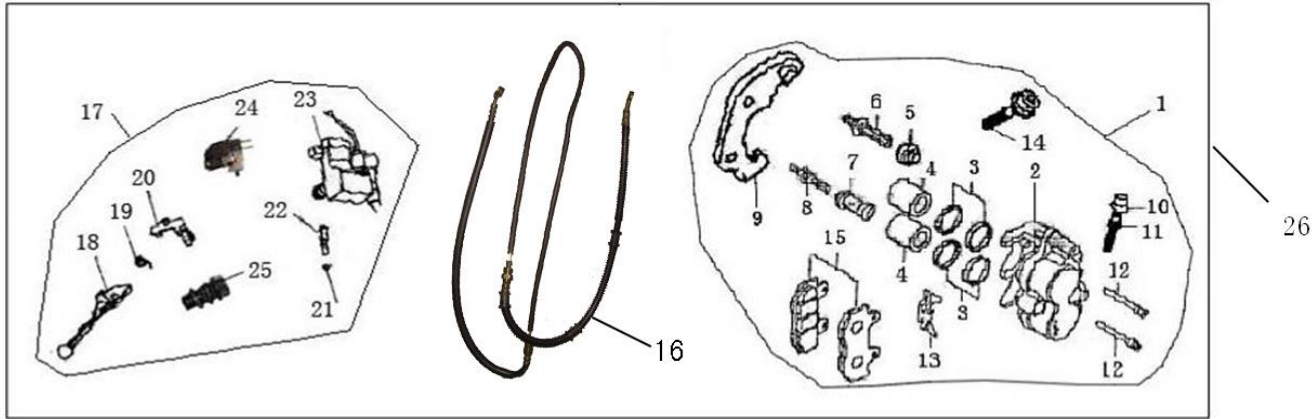
序号	图号	英文名你	数量
N	Part no	Description	Qty
1	125T-19-010201	Fr al wheel MT3.5-13	1
2	125T-19-010202	Vacual tire 130/60-13	1
3	125T-19-010203	Value mouth	1
4	125T-19-010204	Disc brake plate	1
5	125T-19-010205	Disc brake plate bolt	3
6	125T-19-010002	Front-wheel drive axle	1
7	GB6177-86	M12X1.25 locknut	1
8	125T-19-010400	driver	1
9	125T-19-020203	Odometer gentle axis	1
10	125T-19-010001	Front axle	1

F-11 后轮  
Rear wheel



序号	图号	英文名称	数量
N	Part no	Description	Qty
1	125T-19-041001	Rr disc brake plate bolt	3
2	125T-19-041000	Rr disc brake palte	1
3	GB5787-86	Six corner nut M16X1.5	1
4	125T-19-010203	Vavle mouth	1
5	125T-19-040500	Rr al wheel MT3.5-13	1
6	125T-19-040600	Vacunnm tire 130/60-13	1
7	125T-19-040700	Three corner connection board	1
8	125T-19-040003	Rr wheel bush (ling, short)	各1

F-12 后制动碟刹泵组件  
Rear brake master cylinder



序号	图号	英文名称	数量
N	Part no	Description	Qty
1	125T-19-040902	Rr disc brake pump	1
2	125T-19-040902.1	Oil cylinder	1
3	125T-19-040902.2	dustproof set piece	2
4	125T-19-040902.3	oil cock pin	2
5	125T-19-040902.4	bolt pin glue circle	1
6	125T-19-040902.5	bolt pin A	1
7	125T-19-040902.6	bolt pin bush	1
8	125T-19-040902.7	bolt pin	1
9	125T-19-040902.8	disc brake pump decorate board	1
10	125T-19-040902.9	Cover	1
11	125T-19-040902.10	Bolt of exhaust	1
12	125T-19-040902.11	orientation bolt pin	2
13	125T-19-040902.12	diaphysis spring	1
14	125T-19-040902.13	bolt,oil inlet	1
15	125T-19-040902.14	Rear trig disc brake piece	1付
16	125T-19-040903	oil pipe	1
17	125T-19-040901	Rr disc brake pump	1
18	125T-19-040901.1	Grip comp handle L	1
19	125T-19-040901.2	Returning spring	1
20	125T-19-040901.3	Connecting socket	1
21	125T-19-040901.4	Nut M5	1

22	125T-19-040901.5	Bolt comp handle L	1
23	125T-19-040901.6	Oil cylinder ,Rr brake comp	1
24	125T-19-040901.7	Switch, Rear stop	1
25	125T-19-040901.8	bolt,oil inlet	2
26	125T-19-040900	rr disc brake pump	1

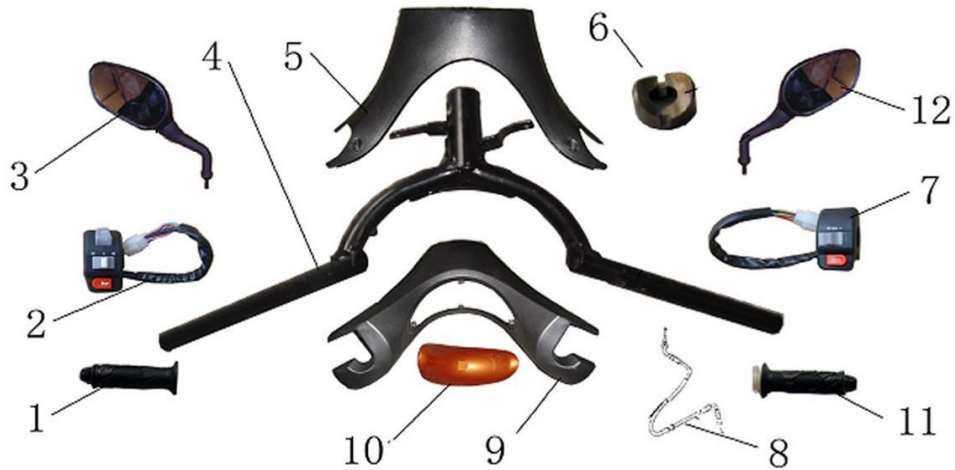


F-14 仪表组合  
Meter



序号	图号	英文名称	数量
N	Part no	Description	Qty
1	125T-19-020201	speedometer cover	1
2	125T-19-020202	speedometer groupware	1

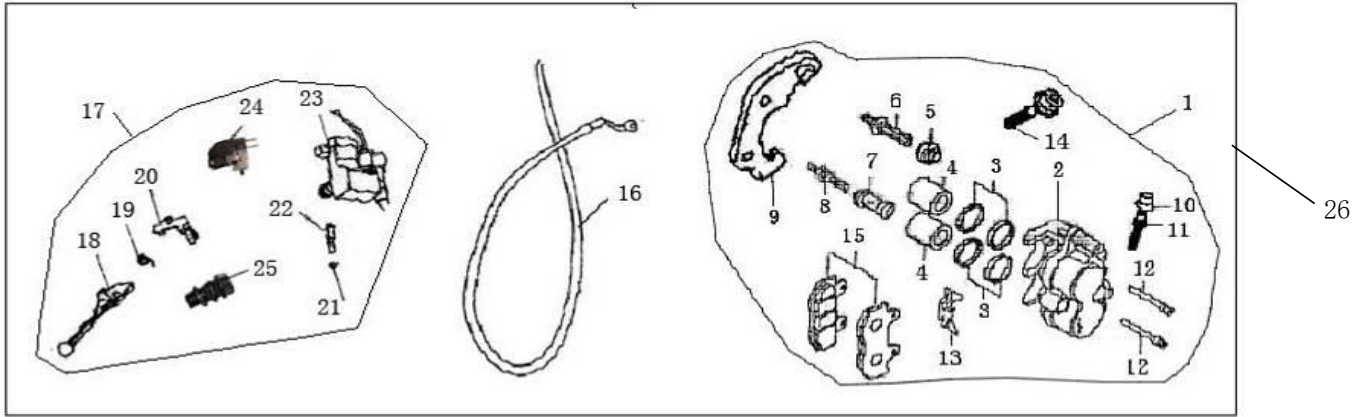
F-15 方向把  
Headlight



序号	图号	英文名称	数量
N	Part no	Description	Qty
1	125T-19-020101	left hand glove	1
2	125T-19-020102	L combination switch	1
3	125T-19-001000	left rearview mirror	1

4	125T-19-020103	Direction hand	1
5	125T-19-020108	Direction hand down cover	1
6	125T-19-000004	Lock tighten copy	1
7	125T-19-020104	R combination switch	1
8	125T-19-020105	Accelerograph cable	1
9	125T-19-020106	Direction hand up cover	1
10	125T-19-020104	Direction hand up cover decorate board	1
11	125T-19-020101	right hand glove	1
12	125T-19-001000	right rearview mirror	1

F-16 前制动碟刹泵组件  
Front brake master cylinder



序号	图号	英文名称	数量
N	Part no	Description	Qty
1	125T-19-010301	Fr disc brake pump	1
2	125T-19-010301.1	Oil cylinder	1
3	125T-19-010301.2	dustproof set piece	2
4	125T-19-010301.3	oil crotch pin	2
5	125T-19-010301.4	bolt pin glue circle	1
6	125T-19-010301.5	bolt pin A	1
7	125T-19-010301.6	bolt pin bush	1
8	125T-19-010301.7	bolt pin	1
9	125T-19-010301.8	disc brake pump decorate board	1
10	125T-19-010301.9	Cover	1
11	125T-19-010301.10	Bolt of exhaust	1
12	125T-19-010301.11	orientation bolt pin	2
13	125T-19-010301.12	diaphysis spring	1
14	125T-19-010301.13	bolt,oil inlet Fr	1
15	125T-19-010301.14	Fr trig disc brake piece	1付
16	125T-19-010302	oil pipe	1
17	125T-19-010303	Fr disc brake pump	1
18	125T-19-010303.1	Grip comp handle R	1
19	125T-19-010303.2	Returning spring	1
20	125T-19-010303.3	Connecting socket	1
21	125T-19-010303.4	Nut M5	1

22	125T-19-010303.5	Bolt comp handle R	1
23	125T-19-010303.6	Oil cylinder ,Rr brake comp	1
24	125T-19-010303.7	Switch, front stop	1
25	125T-19-010303.8	bolt,oil inlet	2
26	125T-19-010300	Front disc brake pump	1

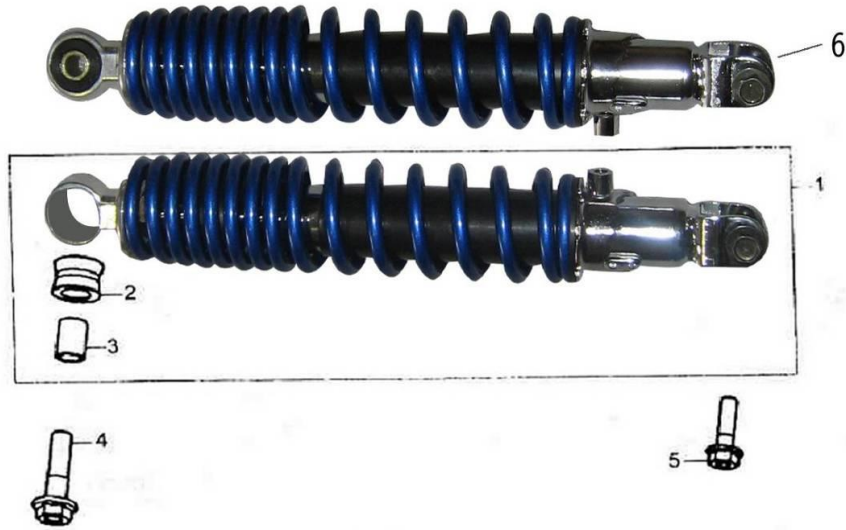
F-18 发动机总成

Engine Assy



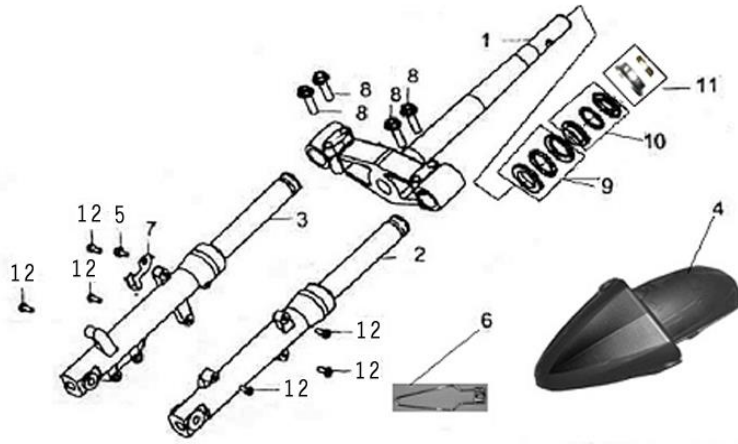
序号	图号	英文名	数量
N	Part no	Description	Qty
1	125T-19-040100	engine	1
2	125T-19-040200	carburetor	1
3	125T-19-040400	Air filter groupware	1
4	125T-19-040005	front stander, rear fender	1
5	125T-19-040401	air filter front frame	1
6	125T-19-040004	frame, rear fender	1
7	125T-19-040006	Rr wheel fender	1
8	125T-19-040008	Twice burning unilateralism valve	1套
9	125T-19-040002	Air cleaner holder, air pipe	1
10	125T-19-040007	aerate pipe groupware	1

F-19 后减震器  
Fear cushion



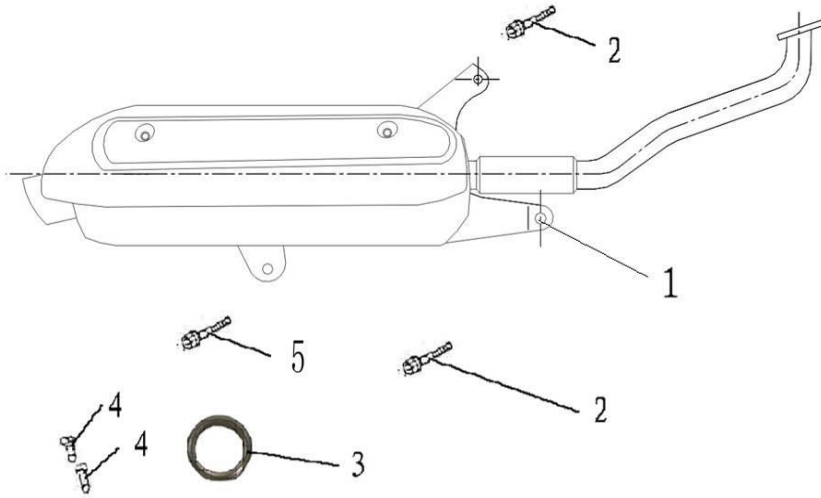
序号	图号	英文名称	数量
N	Part no	Description	Qty
1	125T-19-040301	L rear absorber	1
2	125T-19-040301.1	absorber cushion gasket	2
3	125T-19-040301.2	absorber bush	2
4	GB5787-86	Bolt flange M10X40	2
5	GB5787-86	Bolt flange M8X30	2
6	125T-19-040302	R rear absorber	1

F-20 前叉  
Front fork



序号	图号	英文名称	数量
N	Part no	Description	Qty
1	125T-19-010101	Down connection groupware	1
2	125T-19-010102.1	l/ fr absorber assembly	1
3	125T-19-010102.2	r/fr absorber assembly	1
4	125T-19-010003	Fr wheel fender	1
5	GB5789-86	Six corner bolt M6X12	1
6	125T-19-010004.1	Line set	1
7	125T-19-010004.2	Fixing block	1
8	GB5789-86	Six corner bolt M6X40	4
9	125T-19-000001	Down axletree groupware	1
10	125T-19-000002	Up axletree groupware	1
11	125T-19-000003	Compaction nut	1
12	GB818-85	Cross bolt M6X12	6

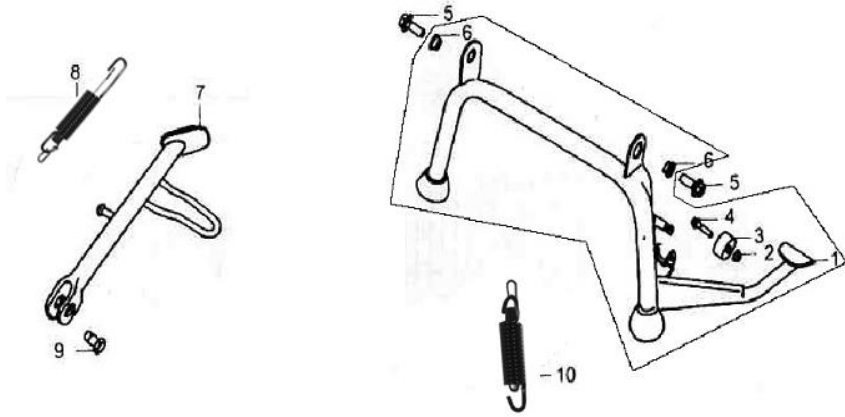
F-21 排气消声器  
Exhaust muffler



序号	图号	英文名称	数量
N	Part no	Description	Qty
1	125T-19-040800A	Muffler assembly (with accelerant)	1
2	GB5787-86	Six corner bolt M10X35	2
3	125T-19-040001	Muffler airproof gasket	1
4	GB823-86	Long cover nut M6	2
5	GB5787-86	Six corner bolt M10X75	2



F-22 支架  
Stand



序号	图号	英文名称	数量
N	Part no	Description	Qty
1	125T-19-030500(1,2,3,4)	Big support groupware	1
2	GB6187-86	Six corner nut M6	1
3	125T-19-090010.1	Cushion wheel	1
4	GB5787-86	Six corner nut M6X25	1
5	GB5787-86	Six corner nut M10X25	2
6	125T-19-030004	mian stand bush	2
7	125T-19-030400	side stand	1
8	125T-19-030003	Single support spring	1
9	125T-19-030002	Big support bolt	1
10	125T-19-030005	Big support spring	1

F-23 车架  
Frame body



序号	图号	英文名你	数量
N	Part no	Description	Qty
1	125T-19-030200	Board bracket	1
2	125T-19-000005	Condole frame axes	1
3	125T-19-030100	frame	1
4	125T-19-050400	Fender frame	1
5	125T-19-090010.2	Suspend frame cushion set	2
6	125T-19-030006	Suspend bush	2
7	125T-19-030600	Suspend e frame	1
8	125T-19-030007	rr tail board bracket	1
9	125T-19-030300	luggage carrier bracket	1
10	125T-19-030700	seat lock bracket	1
11	125T-19-030701	seat lock cable	1
12	125T-19-030300	luggage carrier bracket	1

