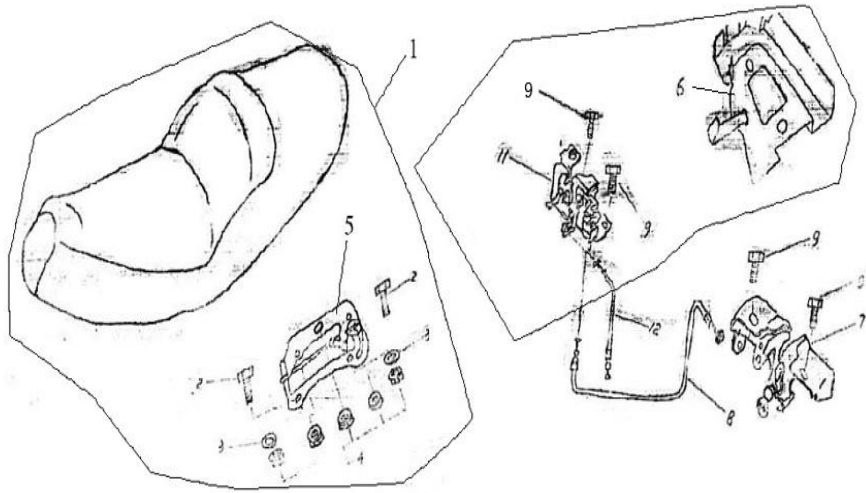


ZN250T-B艇王

Seat cushion

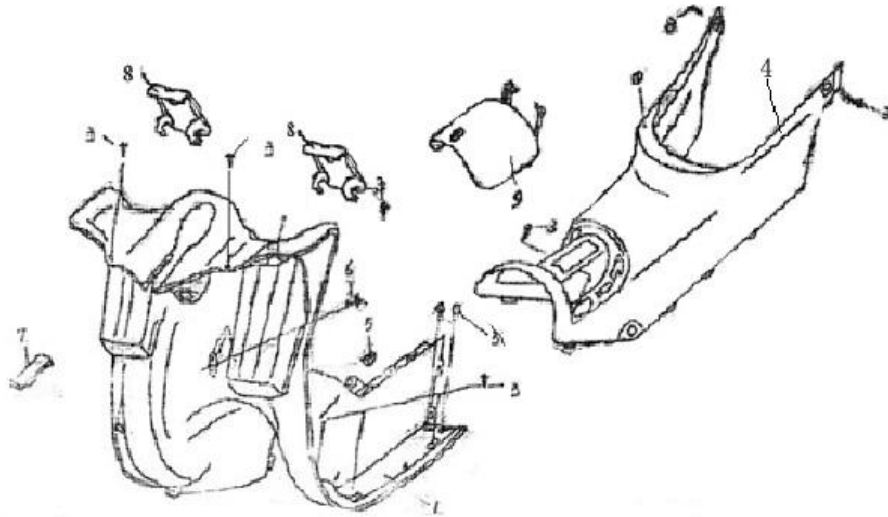


备注

1	250T-B/040	Seat cushion	1	B
2	GB5787-86	Bolt flange M6X20	2	A
3	GB96-35	Big washer 6-140HV	2	A
4	GB6177-86	Nut flange M6	5	A
5	250T-B/040.1	seat install board	1	F
6	250T-B/053	protecting cover, seat lock	1	B
7	250T-B/052	seat cock(rear)	1	F
8	250T-B/106	Seat lock cable(long)	1	F
9	GB5787-86	Bolt flange M6X12	4	A
10	250T-B/035	seat lock install frame(front)	1	F
11	250T-B/051	seat cock(front)	1	F
12	250T-B/108	Seat lock cable(short)	1	F

F-2 工具箱

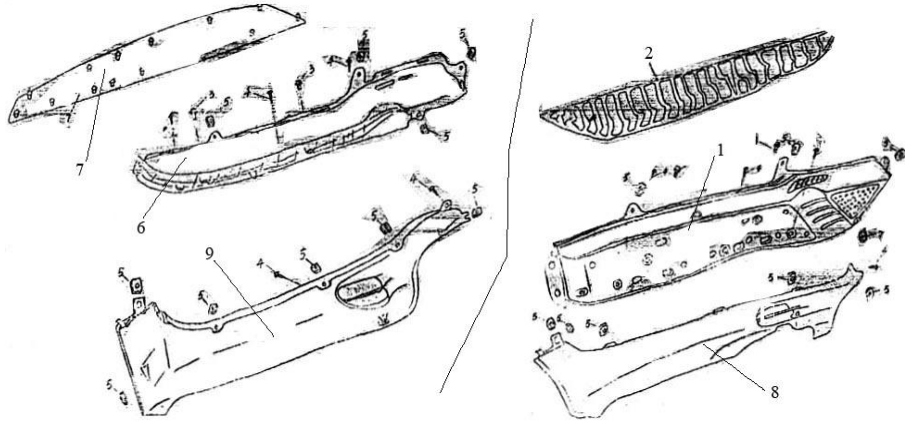
Tool box



1	250T-B/015	Tool box	1	B
2	GB9074.14-88	Screw with washer M6X16	4	A
3	GB845-86	Screw tapping ST4.8X16	14	A
4	250T-B/021	Fr cover, luggage	1	B
5	ZBT31084-87	Nut spring ST4.2	2	A
6	GB5787-86	Bolt flange M6X12	1	A
7	250T-B/137	Number cover	1	B
8	250T-B/017	Connecting cover, tool box	2	B
9	250T-B/041	Lock cover, fuel luggage	1	B

F-3 脚踏板

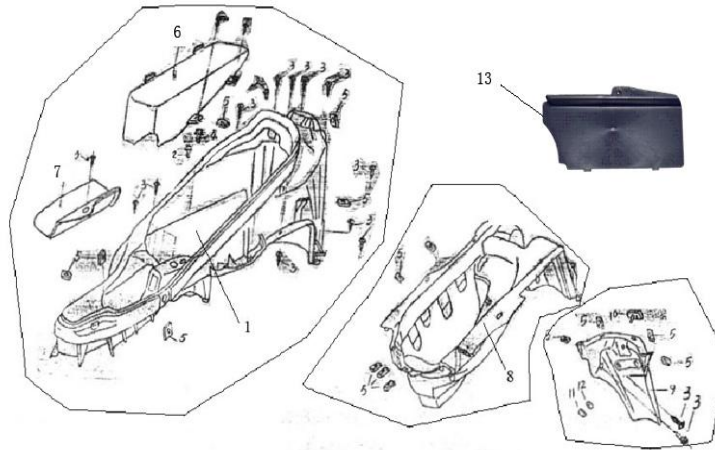
Floor Panel



1	250T-B/019	L foot board	1	B
2	250T-B/024	L/R windage clapboard	1付	B
3	GB9074.14-88	Screw with washer M6X20	4	A
4	GB845-86	Screw tapping ST4.8X16	10	A
5	ZBT31084-87	Nut spring ST4.2	20	A
6	250T-B/020	R foot board	1	B
7	250T-B/129	L/R footskin	1付	B
8	250T-B/006	L protector	1	B
9	250T-B/007	R protector	1	B

F-4 杂物箱&后挡泥板

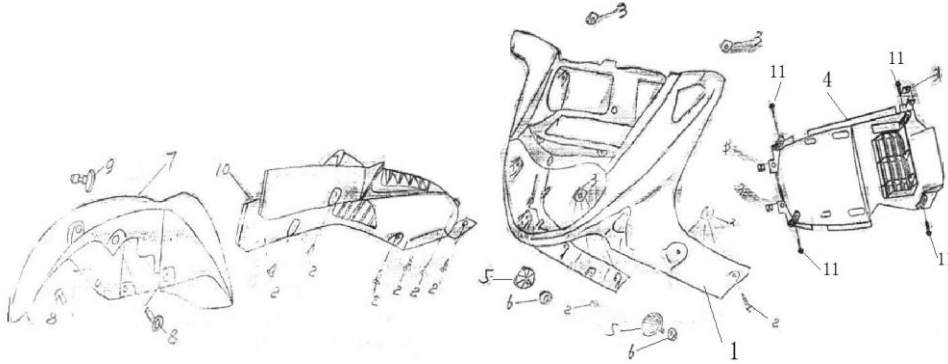
Luggage box & Rr fender



1	250T-B/016	Outer cover,luggage box	1	B
2	GB9074.14-88	Screw with washer M6X16	2	A
3	GB845-86	Screw tapping ST4.8X16	20	A
4	GB5787-86	Blot flange M6X12	1	A
5	ZBT31084-87	Nut spring ST4.2	15	A
6	250T-B/033	battery cover	1	B
7	250T-B/022	small clap,luggage box Fr cover	1	B
8	250T-B/018	Luggage box	1	B
9	250T-B/029	Rr fender	1	B
10	250T-B/035	Reflector (Special)	1	B
11	GB6170-86	Nut M6	1	A
12	GB96-35	Big washer 6-140HV	1	A
13	250T-B/023	inner cvoer, luggage box	1	B

F-5 前大板&前挡泥板

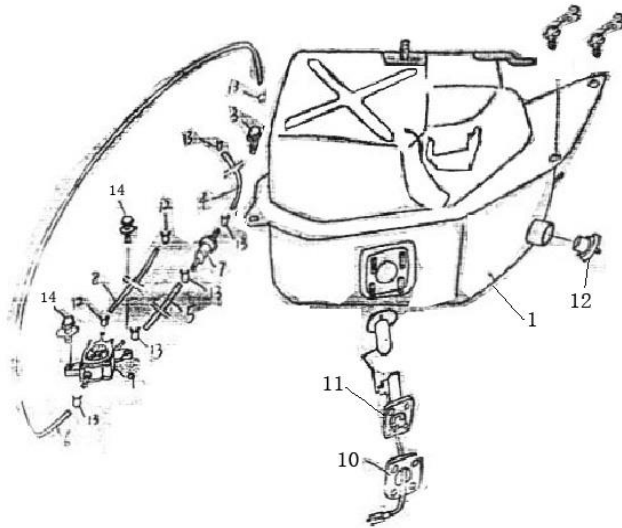
Front cover & Fr fender



1	250T-B/002	Front cover	1	B
2	GB845-86	Screw tapping ST4.8X16	8	A
3	ZBT31084-87	Nut spring ST4.2	11	A
4	250T-B/028	Frame fender	1	B
5	250T-B/036	R/L reflector	2	B
6	GB6177-86	Nut flange M6	2	A
7	250T-B/011	Fr fender	1	B
8	GB5787-86	Blot flange M6X12	4	A
9	250T-B/123	Rubber ring	1	B
10	250T-B/027	Fr fencer Rr	1	B
11	GB5787-86	Blot flange M6X16	4	A

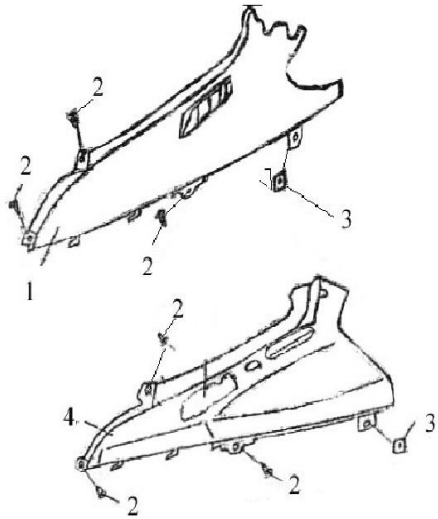
F-6 油箱总成

Fuel tank



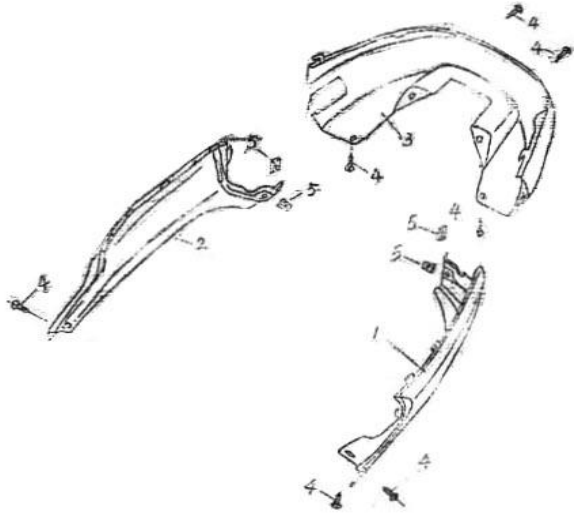
1	250T-B/127	Fuel tank	1	E
2	GB6177-86	Nut flange M8	2	A
3	GB5787-86	Blot flange M6X16	3	A
4	250T-B/095	Oil pipe A	1	E
5	250T-B/095	Oil pipe B	1	E
6	250T-B/095	Oil pipe C	1	E
7	250T-B/119	Fuel filter	1	E
8	250T-B/097	Vacuum tube	1	E
9	250T-B/116	Fuel pump	1	E
10	250T-B/093	Retainer fuel unit/Sealed ring	1	E
11	250T-B/092	Fuel sensor	1	E
12	250T-B/149	oil box cover combination	1	E
13	250T-B/138	oil pipe spring	8	E
14	GB5787-86	Blot flange M6X20	2	A

F-7左右装饰板
L/R body side cover



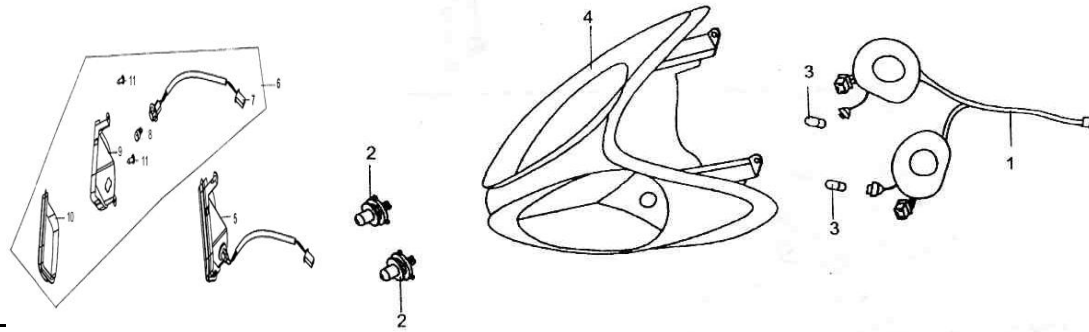
1	250T-B/005	R body side cover	1	B
2	GB845-86	Screw tapping ST4.8X16	6	A
3	ZBT31084-87	Nut spring ST4.2	2	A
4	250T-B/004	L body side cover	1	B

F-8左右护条&后护条
R/L moulding & Rr moulding



1	250T-B/008	L rear moulding	1	B
2	250T-B/009	R rear moulding	1	B
3	250T-B/010	Rr moulding	1	B
4	GB845-86	Screw tapping ST4.8X16	7	A
5	ZBT31084-87	Nut spring ST4.2	4	A

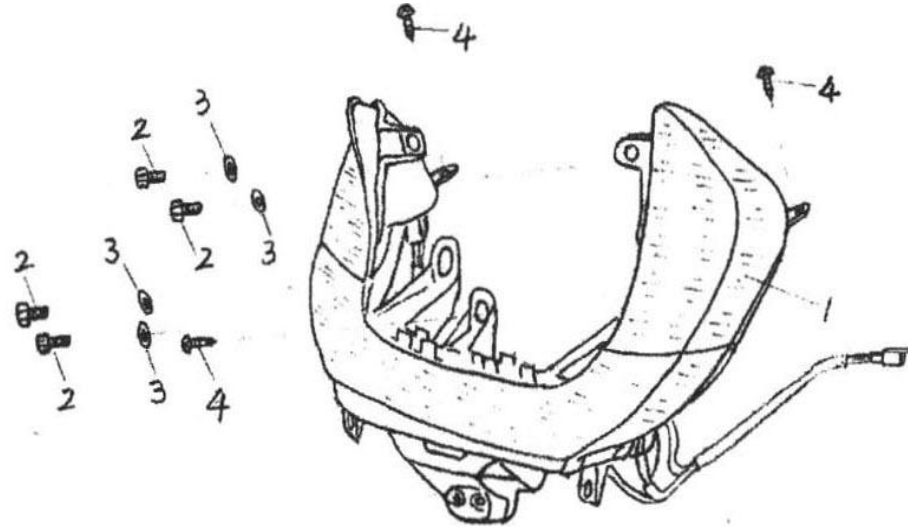
F-
Headlight & R/L



1	2501-B/100.1	Headlight holder	1	C
2	GB15766.1-1995	Headlight bulb12V 18W	2	C
3	GB/T15766.3-1995	Sideleight bulb 12V 3W	2	C
4	250T-B/100	Headlight cover comp	1	C
5	250T-B/034.1	Winker cop L, Fr	1	C
6	250T-B/034.2	Winker cop R, Fr	1	C
7	250T-B/034.2.1	Light Holder	1	C
8	GB15776.1-1995	Bulb 12V 5W	1	C
9	250T-B/034.2.2	Bulb Bowl	1	C
10	250T-B/034.2.3	Bulb case	1	C
11	GB845-85	Tapping screw ST4.2X16	2	C

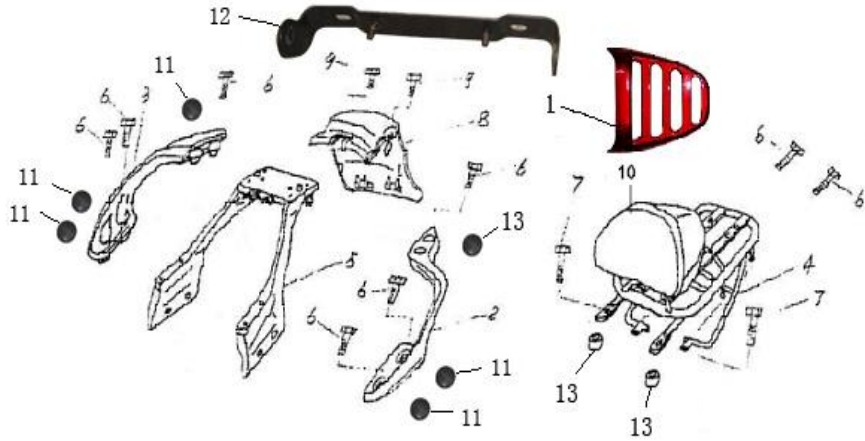
F-10 尾灯总成

Tail light assembl



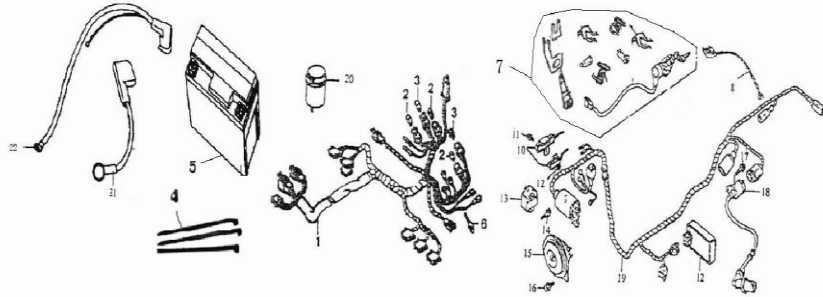
1	250T-B/030	Tail light assy.	1	C
2	GB5783-86	Bolt M6X20	4	A
3	GB96-85	Big washer 6-140HV	4	A
4	GB845-86	Screw tapping ST4.8X16	3	A

F-11 后货架&后扶手
Rear rack & Rear grip



1	250T-B/012	Outer cover,Luggage	1	B
2	250T-B/031	Left rear grip	1	B
3	250T-B/032	Right rear grip	1	B
4	250T-B/047	Rear rack	1	B
5	250T-B/063	Buacket,tail light		B
6	GB5787-86	Blot flange M8X35	8	A
7	GB5787-86	Blot flange M8X40	2	A
8	250T-B/003	Rr body side cover	1	B
9	GB5787-86	Blot flange M6X12	2	A
10	250T-B/039	Rr backrest	1	B
11	250T-B/145	rear hual hole	6	B
12	250T-B/146	license bracket	1	B
13	250T-B/131	rear goods bush	2	A

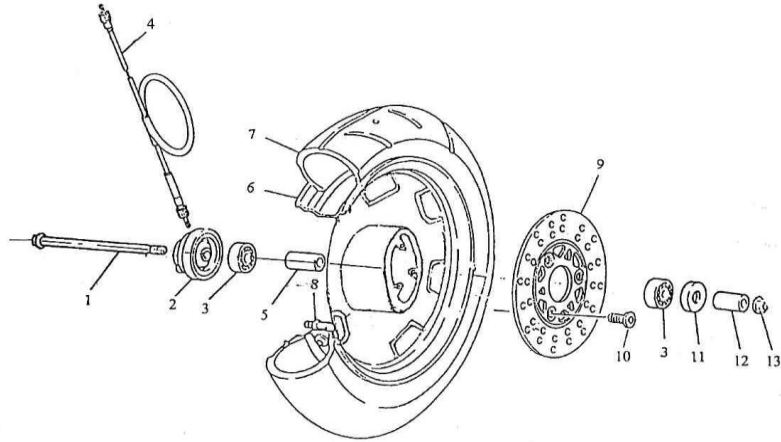
F-12 主电缆
Main cable



1	2501-B/105	Wire harness, sub	1	E
2	250T-B/103.1	Instrument light A 12V/1.7W	3	E
3	250T-B/103.2	Instrument light B 12V/1.7W	3	E
4	250T-B/126	Wrap	1套	F
5	250T-B/099	Battery	1	E
6	GB9074.14-88	Screw with washer M3X22	8	A
7	250T-B/109	Seat lock	1	E
8	250T-B/090	starter relay comp	1	E
9	250T-B/102	Main cable	1	E
10	250T-B/139	Resistance	1	E
11	GB5787-86	Bolt flange M6X25	1	A
12	GB6177-86	Nut flange M6	1	A
13	250T-B/089	Rectifier	1	E
14	GB5787-86	Bolt flange M6X16	1	A
15	250T-B/091	Horn	1	E
16	GB5787-86	Bolt flange M6X12	1	A
17	250T-B/096	C.D.I	1	E
18	250T-B/087	High tension ignition coil	1	E
19	GB818-85	Plus pan screw M5X20	1	A

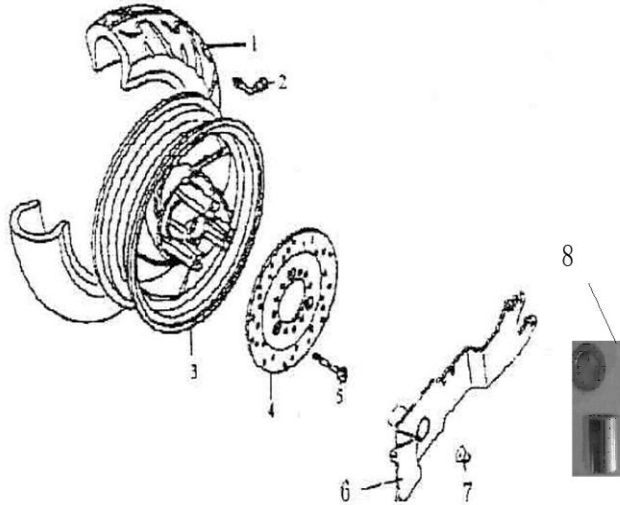
20	250T-B/088	Flasher	1	E
21	250T-B/085	Anode cable	1	E
22	250T-B/086	Cathode cable	1	E

F-13 前轮
Front wheel



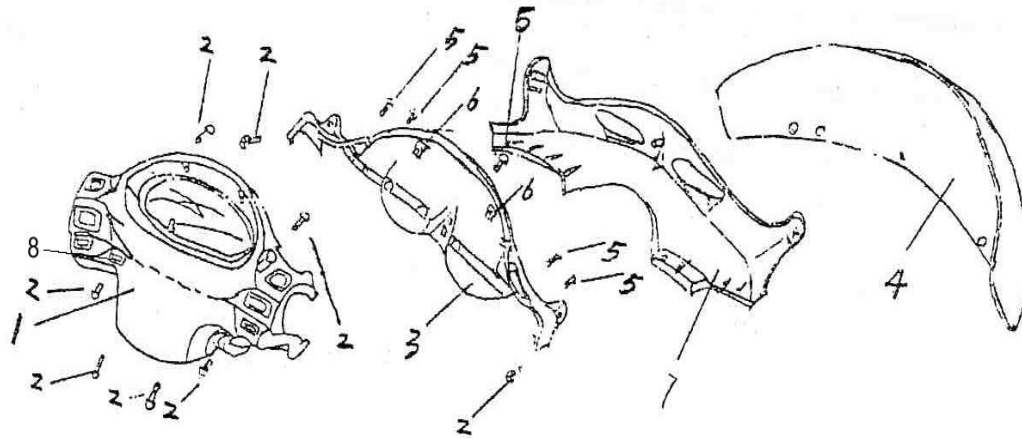
1			1	F
2	250T-B/069	Driver	1	F
3	250T-B/042.1	Bearing racial ball	2	F
4	250T-B/105	Speedomter cable	1	F
5	250T-B/042.2	Collar Fr.axle cistance	1	F
6	250T-B/042	Rim comp wheel	1	F
7	250T-B/044	Fr vacual tire1 10/90-12	1	F
8	250T-B/046	Value moufh	1	F
9	250T-B/065	Dis brake plate	1	F
10	250T-B/067	Dis brake srew	6	F
11	250T-B/042.3	Dust seal	1	F
12	250T-B/141	Collar R.FR.axle	1	F
13	GB6177-86	Nut flange M12X1.25	1	A

F-14 后轮
Rear wheel



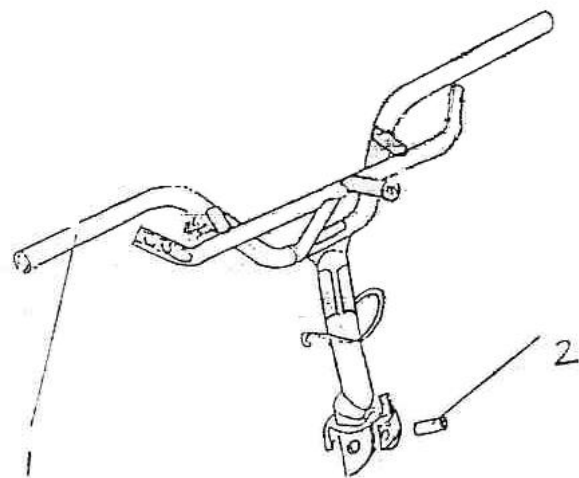
1	250T-B/045	Rr vacual tire 110/90-12	1	F
2	250T-B/046	Valve cock	1	F
3	250T-B/043	Rear rim	1	F
4	250T-B/071	Rr disc brake plate	1	F
5	250T-B/072	Inner hes bolt M8X25	6	A
6	250T-B/073	Connecting board	1	F
7	GB6187-86	Nut flange locked M16X1.5	1	A
8	250T-B/143	Rr wheel bush (ling, short)	1	A

F-15 仪表护壳组合
Guide shell set of



序号	代号	名称	数量	备注
1	250T-B/026	仪表护壳	1	B
2	GB845-85	螺钉 ST4.8X16	8	A
3	250T-B/026	仪表护壳前盖	1	B
4	250T-B/130	挡风玻璃	1	B
5	GB9074.14-88	螺钉带垫圈 M6X16	5	A
6	ZBT31084-87	弹簧螺母 ST4.2	2	A
7	250T-B/001	挡风玻璃	1	B
8	250T-B/120	报警开关	1	E

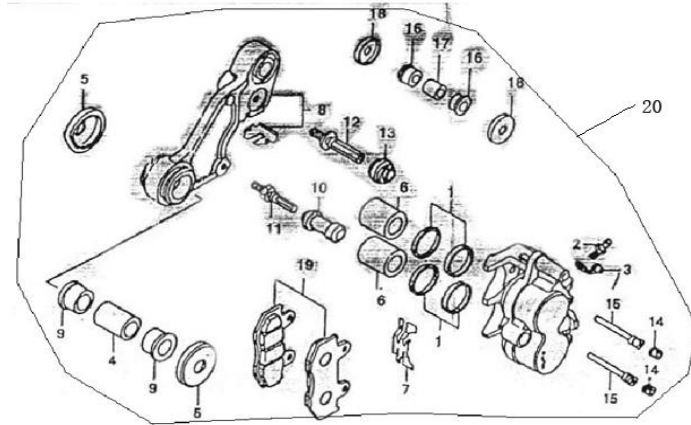
F-16 方向把
Steering handle



1	250T-B/056		1	F
2	GB578-86	Bolt M12X35	1	A

F-17 前碟钳油缸

Fr brake caliper

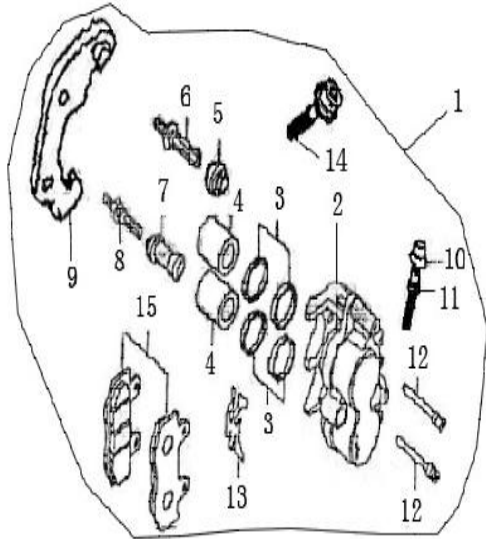


1	250T-B/064.1-1	dustproof set piece	2	F
2	250T-B/064.1-2	expand oil bolt	1	F
3	250T-B/064.1-3	expand oil bolt cover	1	F
4	250T-B/064.1-4	front trig axis	1	F
5	250T-B/064.1-5	dustproof airproof circle	2	F
6	250T-B/064.1-6	oil crock pin	2	F
7	250T-B/064.1-7	diaplasis spring	1	F
8	250T-B/064.1-8	front trig subsidiary oil crock splint	1	F
9	250T-B/064.1-9	front trig	2	F
10	250T-B/064.1-10	bolt pin bush	1	F
11	250T-B/064.1-11	bolt pin	1	F
12	250T-B/064.1-12	bolt pin A	1	F
13	250T-B/064.1-13	bolt pin glue circle	1	F
14	250T-B/064.1-14	orientation bolt pin stopper	2	F
15	250T-B/064.1-15	orientation bolt pin	2	F
16	250T-B/064.1-16	wrest connect pole bush	2	F
17	250T-B/064.1-17	wrest connect pole separate bush	1	F
18	250T-B/064.1-18	dustproof airproof circle	2	F

19	250T-B/064.1-19	front trig disc brake piece	1付	F
20	250T-B/064.1	front trig low pump	1	F

F-18 后碟钳油缸

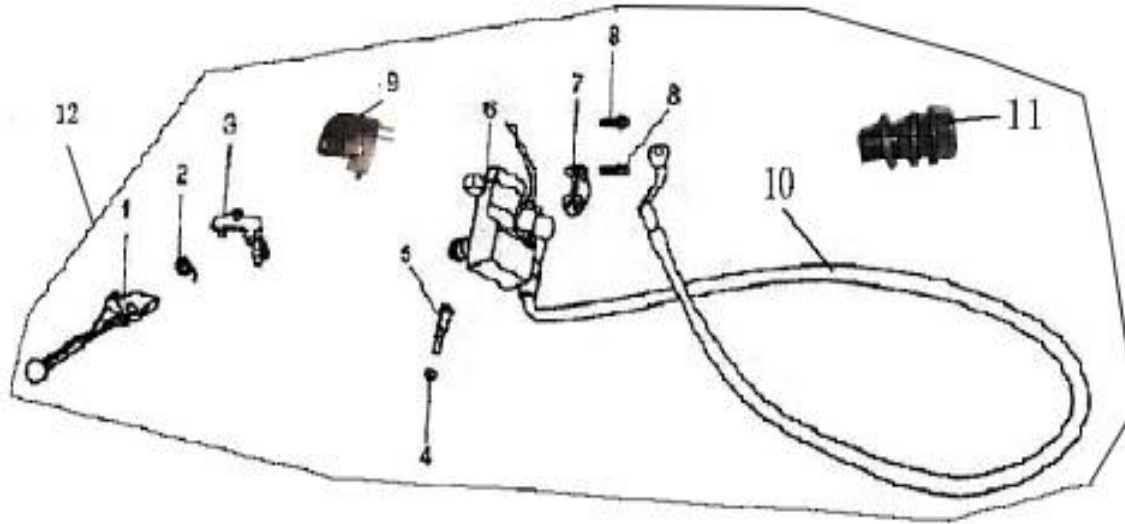
Rr brake caliper



1			1	F
2	250T-B/070.1-1	Oil cylinder	1	F
3	250T-B/070.1-2	dustproof set piece	2	F
4	250T-B/070.1-3	oil crock pin	2	F
5	250T-B/070.1-4	bolt pin glue circle	1	F
6	250T-B/070.1-5	bolt pin A	1	F
7	250T-B/070.1-6	bolt pin bush	1	F
8	250T-B/070.1-7	bolt pin	1	F
9	250T-B/070.1-8	disc brake pump decorate board	1	F
10	250T-B/070.1-9	Cover	1	F
11	250T-B/070.1-10	Bolt of exhaust	1	F
12	250T-B/070.1-11	orientation bolt pin	2	F
13	250T-B/070.1-12	diaplasis spring	1	F
14	250T-B/070.1-13	bolt,oil inlet	1	F
15	250T-B/070.1-14	Rear trig disc brake piece	1付	F

F-19 前制动主油缸

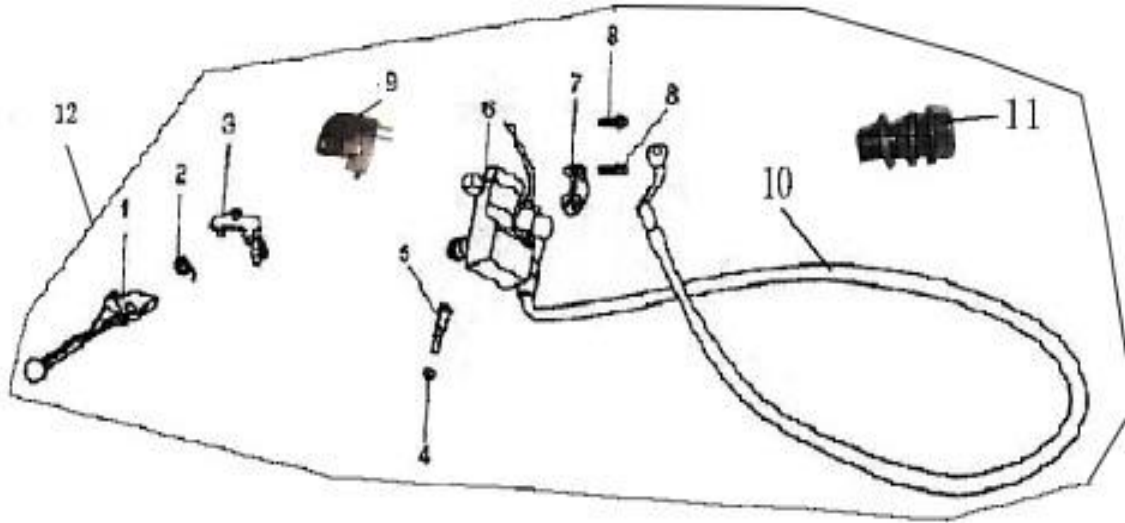
Fr brake master cylinder



2	250T-B/064.2-2	Returning spring	1	F
3	250T-B/064.2-3	Connecting socket	1	F
4	250T-B/064.2-4	Nut M5	1	F
5	250T-B/064.2-5	Bolt comp handle R	1	F
6	250T-B/064.2-6	Oil cylinder , F r brake comp	1	F
7	250T-B/064.2-7	Semicircle cap	1	F
8	250T-B/064.2-8	Bolt M6X22	2	F
9	250T-B/064.2-9	Switch, rear stop	1	F
10	250T-B/064.2-10	oil pipe	1	F
11	250T-B/064.2-11	bolt,oil inlet	1	F
12	250T-B/064.2	Fr disc brake pump	1	F

F-20 后制动主油缸

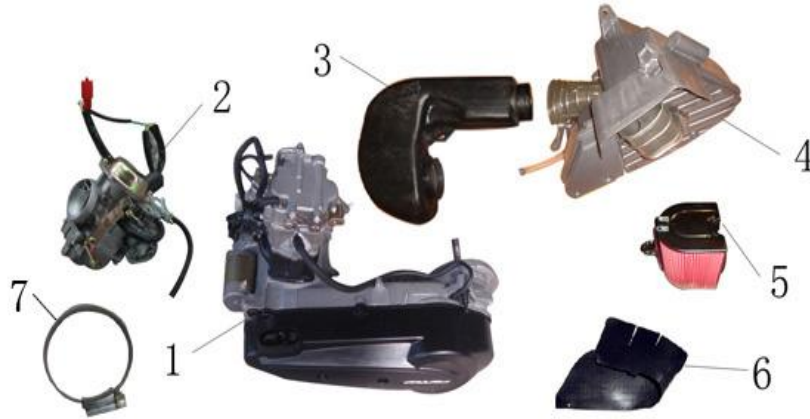
Rr brake master cylinder



2	250T-B/070.1-2	Retuming spring	1	F
3	250T-B/070.1-3	Connecting socket	1	F
4	250T-B/070.1-4	Nut M5	1	F
5	250T-B/070.1-5	Bolt comp handle L	1	F
6	250T-B/070.1-6	Oil cylinder ,Rr brake comp	1	F
7	250T-B/070.1-7	Semicircle cap	1	F
8	250T-B/070.1-8	Bolt M6X22	2	F
9	250T-B/070.1-9	Switch, rear stop	1	F
10	250T-B/070.1-10	oil pipe	1	F
11	250T-B/070.1-11	bolt,oil inlet	1	F
12	250T-B/070.1	Rr disc brake pump	1	F

F-21发动机总成

Engine



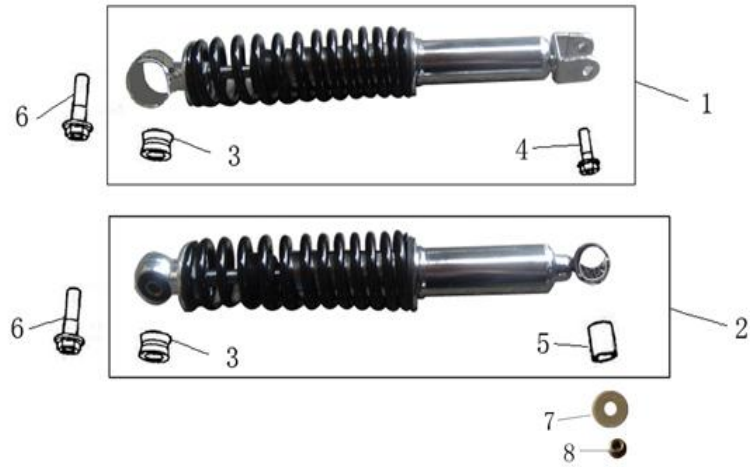
1	250T-B			
2	250T-B/081	carburetor	1	F
3	250T-B/038.2		1	B
4	250T-B/038.1	Air cleaner	1	B
5	250T-B/038.1-1	sponge in air filter	1	B
6	250T-B/125	water-proof	1	A
7	250T-B/148	Air cleaner holder, air pipe	2	A

F-21(A)发动机附件



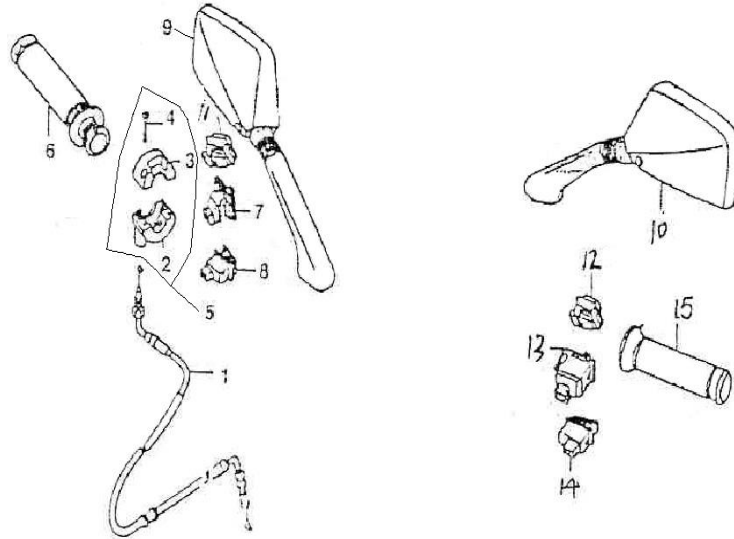
1				
2	2501-B/154	water tank	1	F
3	250T-B/155	fan	1	F
4	GB5787-86	Bolt flange M6X12	3	F
5	250T-B/107	Spring of inlet abd outlet pipe	2	F
6	250T-B/094.1	Outlet pipe of Engine	1	F
7	250T-B/094.2	Inlet pipe of Engine	1	F
8	250T-B/094.3	Inlet pipe of Water Tank	1	F
9	250T-B/147.1	Mouth of Inlet pipe of Water Tank	1	F
10	250T-B/147.2	Cover of Inlet pipe of Water Tank	1	F
11	250T-B/094.4	Connect pipe between Water tank and canteen	1	F
12	250T-B/094.5	Carburetor heated pipe	1	F
13	250T-B/151	small canteen	1	F
14	250T-B/152	small canteen cover	1	F
15	250T-B/094.6	water tank balance pipe	1	F
16	250T-B/150	Water pipe of block hoop	8	F

F-22 后减震器
Fear cushion



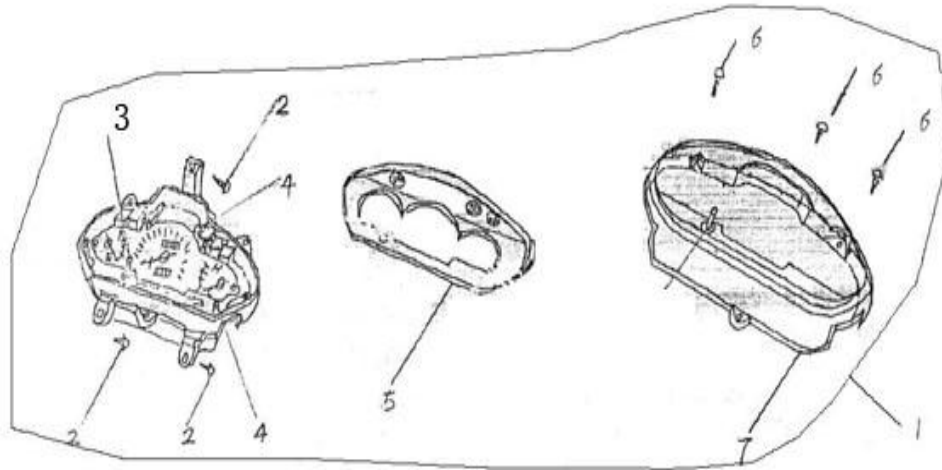
1	250T-B/075			
2	250T-B/074	L Rr Cushion assy	1	F
3	250T-B/074..1		2	F
4	GB5787-86	Bolt flange M8X30	1	A
5	250T-B/074..2		1	F
6	GB5787-86	Bolt flange M10X1.25X40	2	A
7	GB97.1-85	Washer Φ 8X28	1	A
8	GB6187-86	Nut flange locked M16X1.5	1	A

F-23 开关
Switches



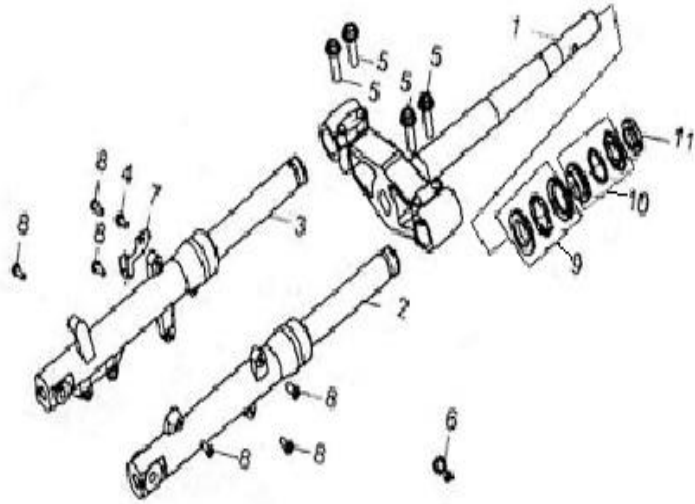
1	250T-F			F
2	250T-B/098.1	Throttle cable down cover	1	F
3	250T-B/098.2	Throttle cable up cover	1	F
4	GB818-85	Plus pan screw M5X22	2	A
5	250T-B/098	fixing seat,throttle	1	F
6	250T-B/118	R handle	1	F
7	250T-B/113	Headlight switch	1	E
8	250T-B/115	Starter switch	1	E
9	250T-B/014	R mirror	1	E
10	250T-B/013	L mirror	1	E
11	250T-B/110	Fire-out switch	1	E
12	250T-B/111	High / dipped beam switch	1	E
13	250T-B/112	Direction indicator switch	1	E
14	250T-B/114	Horn switch	1	E
15	250T-B/117	L handle cove	1	F

F-24 仪表
Speedometer



2	GB845-85	nail ST4.2X16	3	E
3	250T-B/101.1	speedometer dial	1	E
4	250T-B/101.2	speedometer groupware	1	E
5	250T-B/101.3	speedometer inner cover	1	E
6	GB845-85	nail ST3.8X16	3	E
7	250T-B/101.4	speedometer cover	1	E

F-25前叉
Front fork



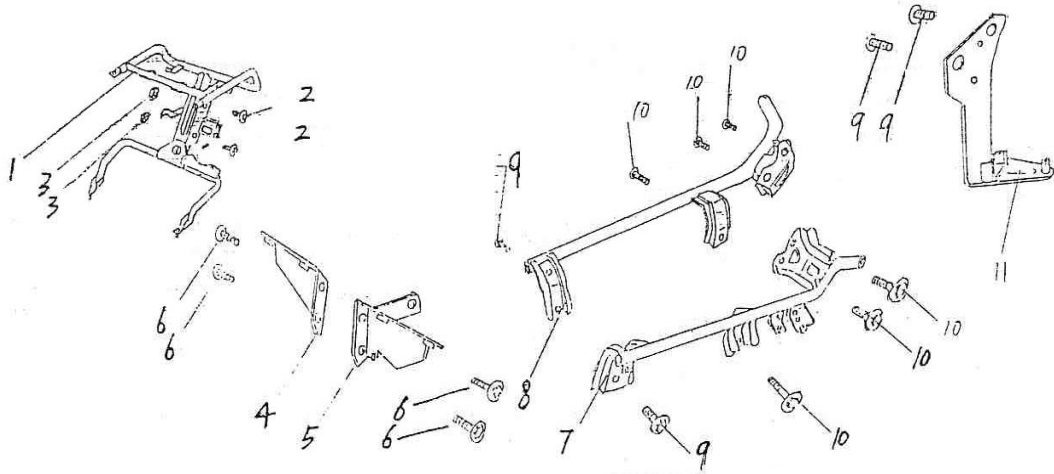
1	250T-1			F
2	250T-B/076	Fr cushion Assy,L	1	F
3	250T-B/077	Fr cushion Assy,R	1	F
4	GB5789-86	Flange bolt M6X12	1	A
5	GB5789-86	Flange bolt M6X40	4	A
6	250T-B/123	Rubber ring	1	B
7	250T-B/066	Locked card	1	B
8	GB818-85	Screw M6X12	6	A
9	250T-B/079.1	down bearing groupware	1	F
10	250T-B/079.2	up bearing groupware	1	F
11	250T-B/079.3	Locked nut	2	F

F-26 消声器
Muffler



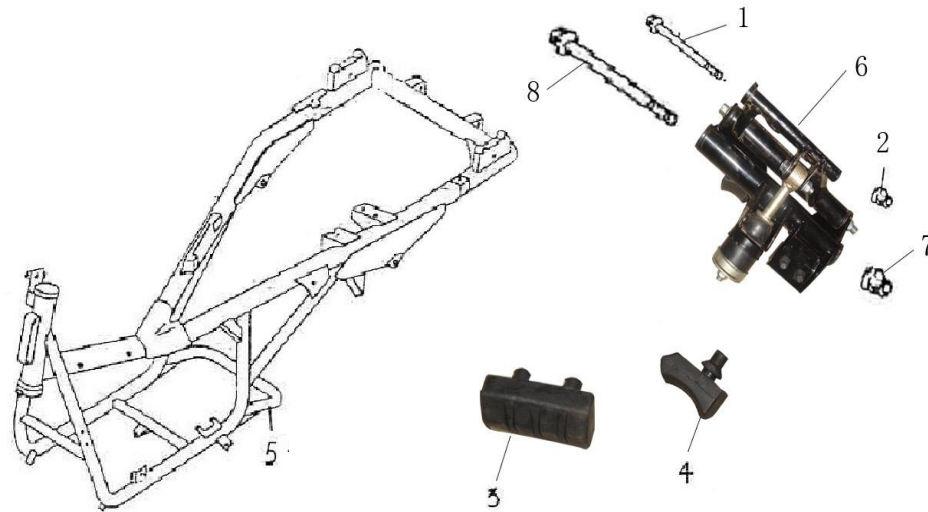
1	250T-B/084				F
2	250T-B/050	cap nut M8	1		F
3	GB823-86	Cap nut M8	2		F
4	250T-B/080	black lead tray	1		F
5	250T-B/078	Muffler assy	1		F
6	GB5787-86	Bolt flange M8X38	1		A
7	GB5787-86	Bolt flange M8X80	1		A
8	GB5787-86	Bolt flange M8X25	1		A
9	GB5787-86	Bolt flange M8X20	1		A

F-27 车架辅件



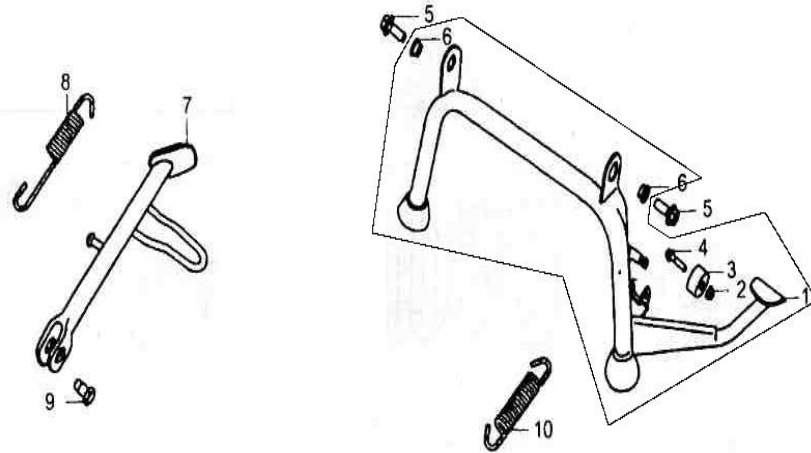
2	GB5787-86	Bolt flange M8X40	2	A
3	GB6187-86	Nut flange M8	2	A
4	250T-B/060	R foot	1	F
5	250T-B/059	L foot	1	F
6	GB5787-86	Bolt flange M6X16	4	A
7	250T-B/057	L fool bracket	1	F
8	250T-B/058	R fool bracket	1	F
9	GB5787-86	Bolt flange M6X12	4	A
10	GB5787-86	Bolt flange M8X16	6	A
11	250T-B/062	Bracket, relay starter	1	F

F-28 车架
Frame



1	2			
2	GB6187-86	Nut flange locked M10X1.25	1	A
3	250T-B/122	hanger rubber(big)	1	A
4	250T-B/121	hanger rubber(small)	1	A
5	250T-B/048	Frame	1	F
6	250T-B/049	Hanger	1	F
7	GB6187-86	Nut flange locked M12X1.25	2	A
8	250T-B/142.1	Condole frame axes II	1	F

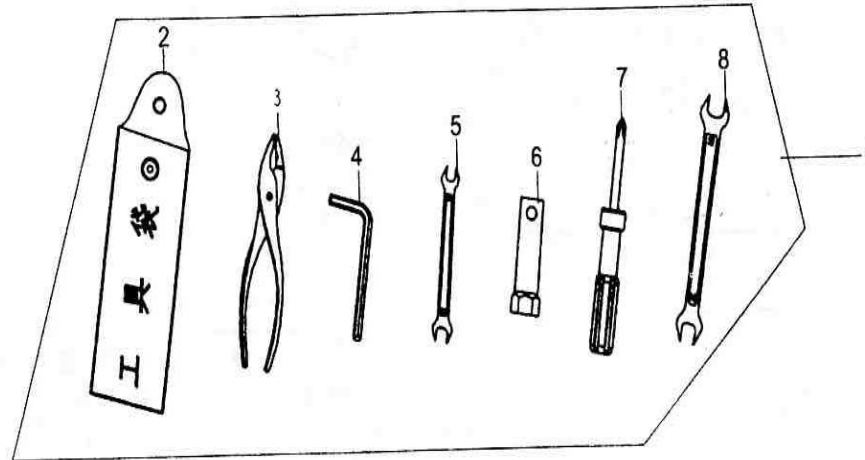
F-21 支架
Stand



1	2			F
2	C			A
3	250T-B/124	Damper rubber spracket	1	A
4	GB5787-86	Bolt flange M6X25	1	A
5	GB5787-86	Bolt flange M10X25	2	A
6	250T-B/054.1	Collar frame	2	A
7	250T-B/055	Side comp stand	1	F
8	250T-B/083	Side stand comp spring	1	F
9	250T-B/055.1	Bolt comp side stand M10	1	F
10	250T-B/082	Spring comp frame	1	F

F-28 随车工具

Tools set



1	250T-B/144.0				A
2	250T-B/144.1	Tool bag	1		A
3	250T-B/144.2	Plier 165	1		A
4	250T-B/144.3	Wrench	1		A
5	250T-B/144.4	Wrench 10-12	1		A
6	250T-B/144.5	Collar comp spark plug	1		A
7	250T-B/144.6	Pliers	1		A
8	250T-B/144.7	Wrench 12-14	1		A