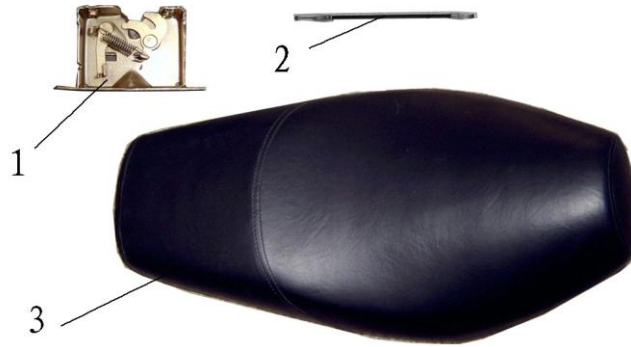


ZN50QT-15D(天鷹)125CC

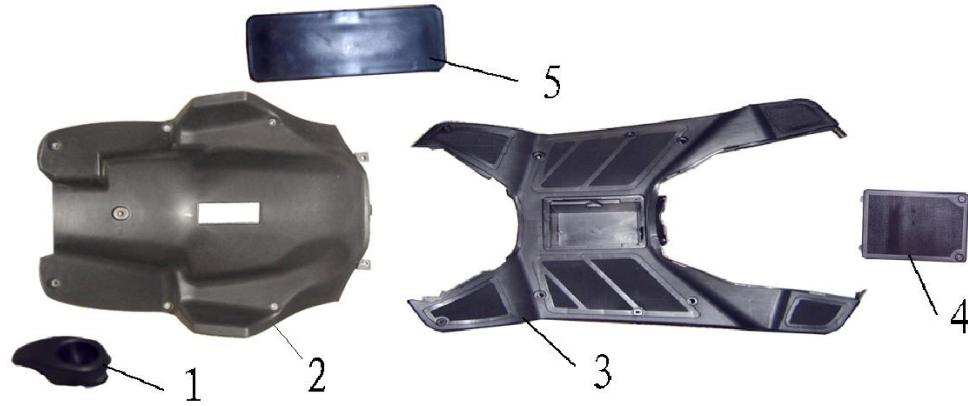


F-1 座垫总成
(Seat cushion)



1	50QT-15D-030701	座垫锁支架	Seat lock bracket	1	
2	50QT-15D-030702	座垫锁拉索	Seat lock cable	1	
3	50QT-15D-002000	座垫组件	Seat groupware	1	

F-2 工具箱
(Tool box)



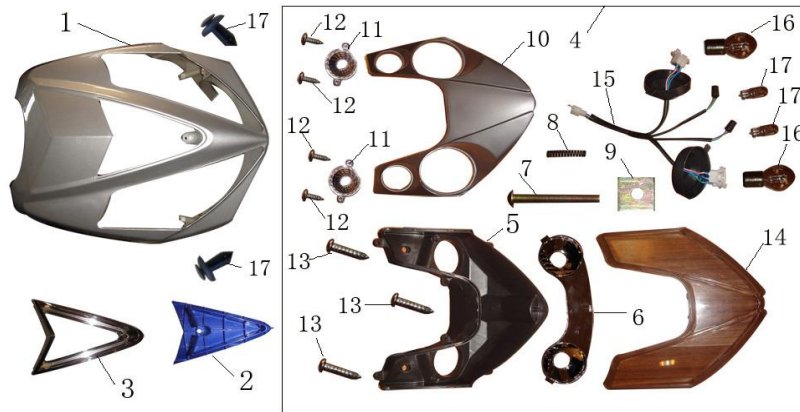
1	50QT-15D-050403	安全帽挂钩	Motorcycle safety helmet pothook	1	
2	50QT-15D-050401	工具箱	Luggage box	1	
3	50QT-15D-050501	脚踏底板	Foot plate	1	
4	50QT-15D-050502	电瓶盖	Cover ,battery	1	
5	50QT-15D-050402	号码盖	Number cover	1	

F-3 杂物箱



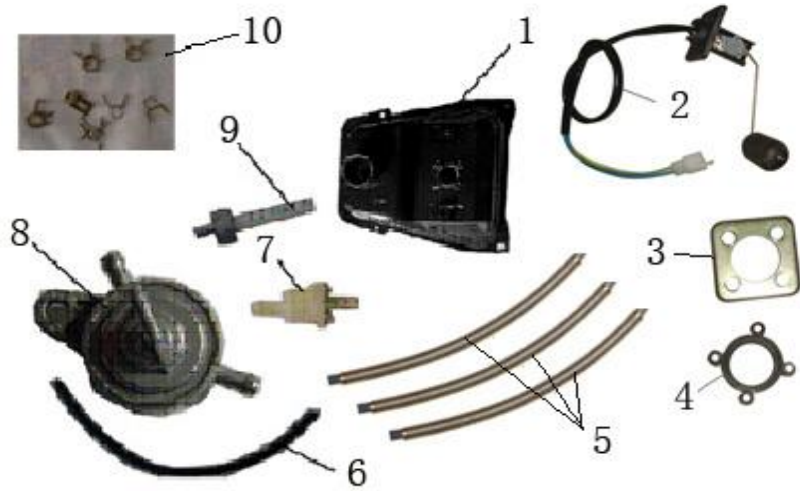
1	50QT-15D-050002	杂物箱盖	Cap, luggage box	1	
2	50QT-15D-050001	杂物箱	Front cover of luggage box	1	
3	50QT-15D-050003	杂物箱前罩	Front cover of luggage box	1	
4	50QT-15D-050004	杂物箱前罩小盖	luggage box front small cover	1	

F-4 前大板



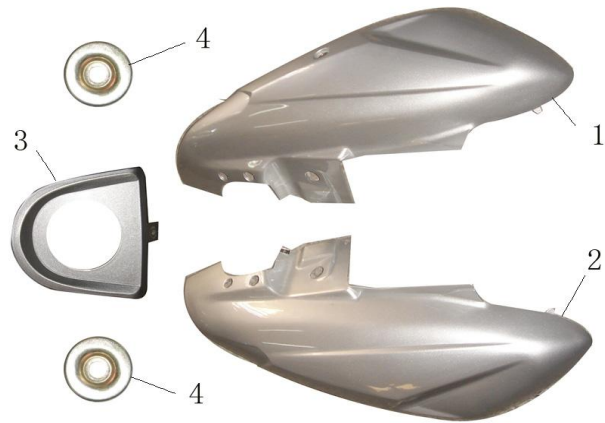
1	50QT-15D-050101	前大板	Front board	1	
2	50QT-15D-050102	前大板装饰件	Front board decorate piece	1	
3	50QT-15D-050103	前大板镀铬件		1	
4	50QT-15D-050104	前大灯	Front headlight	1	
5	50QT-15D-050104.1	前大灯灯座	headlight lamp holder	1	
6	50QT-15D-050104.2	前大灯反光罩	headlight glisten cover	1	
7	50QT-15D-050104.3	前大灯调整螺丝		1	
8	50QT-15D-050104.4	前大灯调整弹簧		1	
9	50QT-15D-050104.5	前大灯调整螺母		1	
10	50QT-15D-050104.6	前大灯中间罩	headlight middle cover	1	
11	50QT-15D-050104.7	前位置灯反光罩		2	
12	50QT-15D-050104.8	前位置灯反光罩固定螺丝		4	
13	50QT-15D-050104.9	前大灯中间罩固定螺丝		3	
14	50QT-15D-050104.10	前大灯灯罩	headlight chimney	1	
15	50QT-15D-050104.11	前大灯线束	headlight wiring harness	1	
16	50QT-15D-050104.12	前大灯灯泡	headlight bulb	2	
17	50QT-15D-050104.13	前位置灯灯泡		2	
18	50QT-15D-050006	橡胶螺钉	rubber bolt	2	

F-5 燃油箱总成



1	50QT-15D-060100	燃油箱	Fuel tank	1	
2	50QT-15D-060101	油位传感器	Oil digit sensor	1	
3	50QT-15D-060102.1	传感器压板	Sensor press board	1	
4	50QT-15D-060102.2	传感器密封圈	Sensor airproof circle	1	
5	50QT-15D-060001	汽油管(带保护弹簧)	Gasoline pipe	3	
6	50QT-15D-060003	负压管	Pressure pipe	1	
7	50QT-15D-060105	过滤器	filter	1	
8	50QT-15D-060104	自吸开关	Self-priming switch	1	
9	50QT-15D-060103	滤网接嘴	Filter web mouth	1	
10	50QT-15D-060002	卡簧	block spring	6	

F-6 装饰板



1	50QT-15D-050301	左装饰板	L body side cover	1	
2	50QT-15D-050302	右装饰板	R body side cover	1	
3	50QT-15D-050005	加油口盖	Add oil cover	1	
4	50QT-15D-050007	装饰板垫	Decorate board mat	2	

F-7 后尾板组件



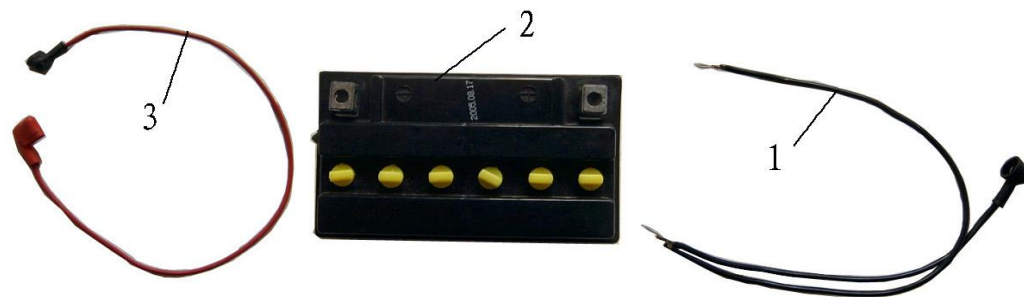
1	50QT-15D-050703	左右后转向灯	L and R back turning light	各1	
2	50QT-15D-050702	牌照支架	License plate bracket	1	
3	50QT-15D-050701	后尾板	Tail board	1	
4	50QT-15D-050800	后尾灯组件	Taillight groupware	1	
5	50QT-15D-050801	尾灯座		1	
6	50QT-15D-050802	尾灯密封圈		1	
7	50QT-15D-050803	尾灯罩		1	
8	50QT-15D-050804	尾灯罩固定铆丝		2	
9	50QT-15D-050805	尾灯灯泡		1	
10	50QT-15D-050806	牌照灯玻璃片		1	
11	50QT-15D-050807	尾灯线束		1	

F-8 后扶手



1	50QT-15D-003000	后扶手	Back armrest	1	
2	GB70-93	M8X35内六角螺栓	M8X35 inner six corner bolt	4	

F-9 电瓶



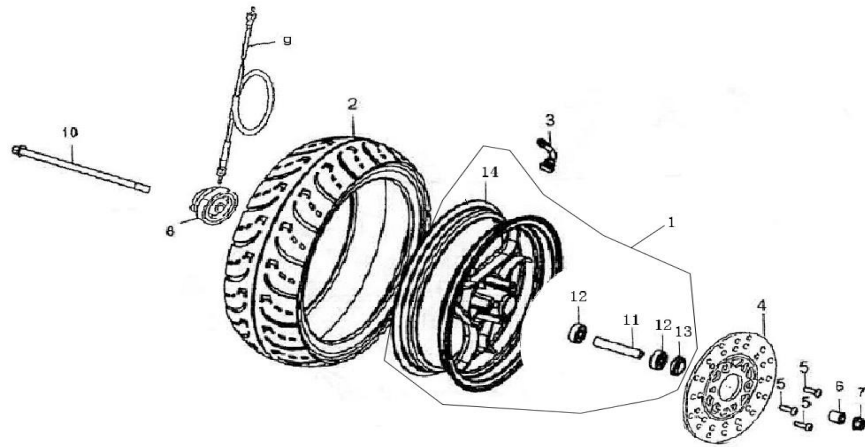
1	50QT-15D-070005	负极线	Cathode cable	1	
2	50QT-15D-070400	电瓶	Battery	1	
3	50QT-15D-070006	正级线	Anode cable	1	

F-10 主电缆
(Wire harness)



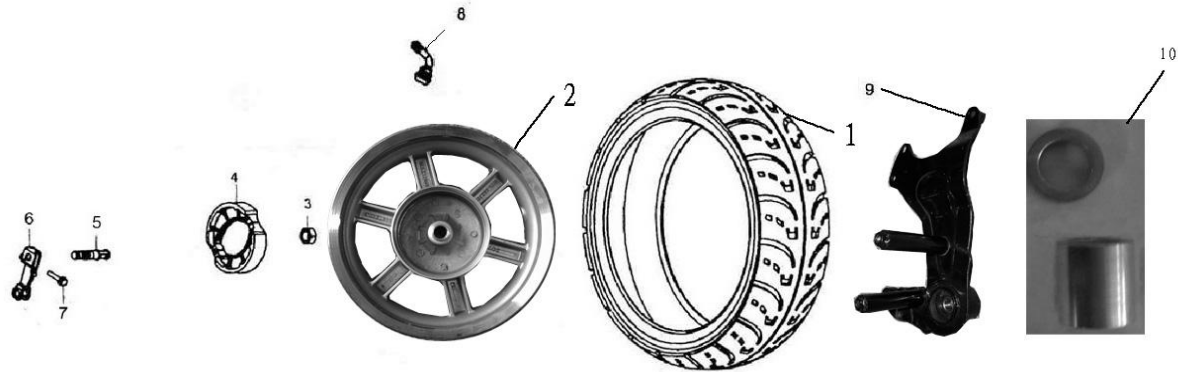
1	50QT-15D-070100	启动继电器	Start-up relay	1	
2	50QT-15D-070200	点火线圈	Ignition loop	1	
3	50QT-15D-070300	喇叭	horn	1	
4	50QT-15D-070001	电缆	cable	1	
5	50QT-15D-070002	点火器	ignition	1	
6	50QT-15D-070003	闪光器	flasher	1	
7	50QT-15D-070004	稳压器	manostat	1	
8	50QT-15D-070007	电阻	resistance	1	
9	50QT-15D-030001	电门锁	electricity door lock	1套	
10	50QT-15D-090010	扎带	wrap	1套	
11	50QT-15D-070008	电子风门控制器		1	

F-11 前轮
Rear wheel



2	50QT-15D-010202	真空胎	Vacual tire	1	
3	50QT-15D-010203	气门嘴	Value mouth	1	
4	50QT-15D-010204	碟刹盘	Disc brake plate	1	
5	50QT-15D-010205	碟刹盘螺栓	Disc brake plate bolt	3	
6	50QT-15D-010002	前轮轴套	Front-wheel drive axle	1	
7	GB6177-86	M12X1.25自锁螺母	M12X1.25 locknut	1	
8	50QT-15D-010400	传动器	driver	1	
9	50QT-15D-020205	里程表软轴	Odometer gentle axis	1	
10	50QT-15D-010001	前轮轴	Front axle	1	
1	50QT-15D-010201	前铝轮组件	Fr al wheel assy	1	
11	50QT-15D-010201.1	中间轴套	Collar Fr.axle cistance	1	
12	GB278-82	轴承	Bearing racial ball	2	
13	50QT-15D-010201.2	油封	Dust seal	1	
14	50QT-15D-010201.3	前轮毂	front-wheel hub	1	

F-12 后轮
Rear wheel



1	50QT-15D-040600	真空胎	Vacual tire	1	
2	50QT-15D-040500	后铝轮	back al wheel	1	
3	GB6184-86	M16X1.5六角自锁螺母	Inner six corner blot M16X1.5	1	
4	50QT-15D-040005	蹄块组件	Hoof block assembly	1	
5	50QT-15D-040003	后制动摇臂轴	Back apply the brake rocker axis	1	
6	50QT-15D-040004	后制动摇臂	Back apply the brake rocker	1	
7	GB5787-86	六角法兰面螺栓 M6X35	Inner six corner blot M8X35	1	
8	50QT-15D-010203	气门嘴	Value mouth	1	
9	50QT-15D-040700	三角联板	Triangle unite board	1	
10	50QT-15D-040006	后轮衬套(长、短)	Rear wheel bush(long, short)	各1	

F.12 仪表组合

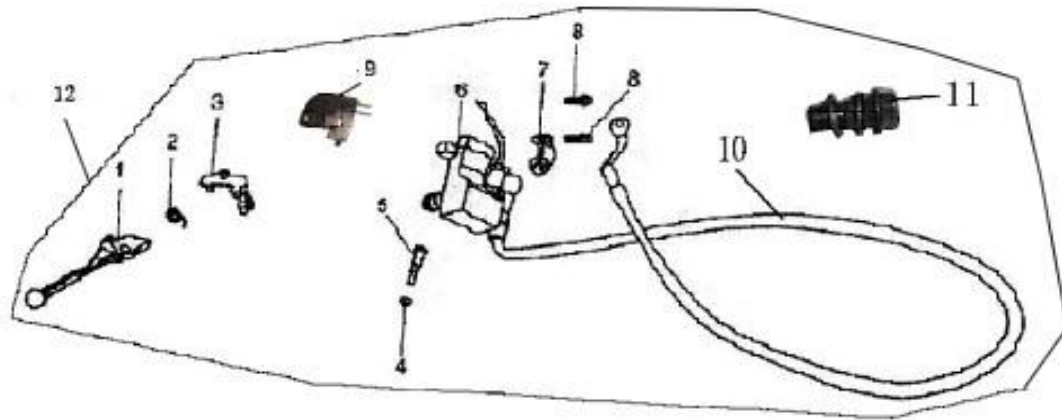


1	50QT-15D-020202	仪表壳	speedometer cover	1	
2	50QT-15D-020203	仪表遮阳罩	Speedometer block sunshine cover	1	
3	50QT-15D-020204	仪表组件	speedometer groupware	1	

F-14 方向机总成

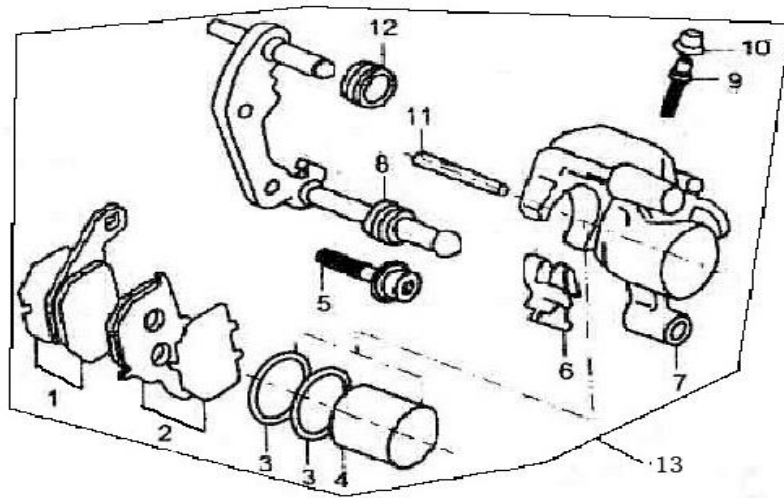


1	50QT-15D-001001	左后视镜	L rearview moirror	1	
2	50QT-15D-020101	左右把手套	L and R handle glove	1副	
3	50QT-15D-020102	左组合开关	L combination switch	1	
4	50QT-15D-020201	仪表下罩	Speedometer below cover	1	
5	50QT-15D-020105	右组合开关	R combination switch	1	
6	50QT-15D-020104	方向把	Steering handle	1	
7	50QT-15D-020103	后制动拉索	Back apply the brake haul cable	1	
8	50QT-15D-020106	油门拉索	Accelerograph haul cable	1	
9	50QT-15D-050201	左右转向灯	L and R turning light	1副	
10	50QT-15D-001002	右后视镜	R rearview moirror	1	



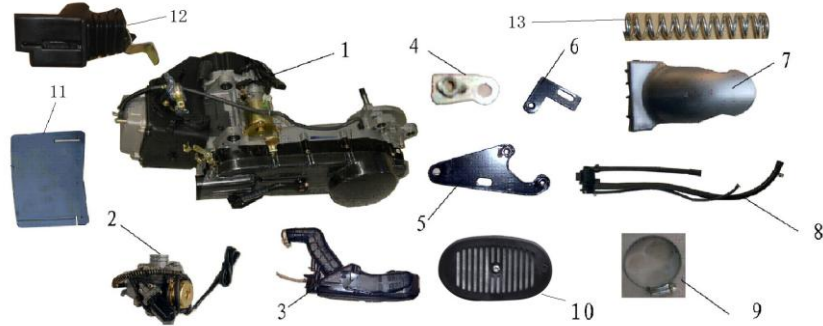
1	50QT-15D-010301.1	右手柄	Grip comp handle R	1	
2	50QT-15D-010301.2	回位弹簧	Returning spring	1	
3	50QT-15D-010301.3	连接架	Connecting socket	1	
4	50QT-15D-010301.4	螺母 M5	Nut M5	1	
5	50QT-15D-010301.5	右手柄螺栓	Bolt comp handle R	1	
6	50QT-15D-010301.6	前制动油缸组件	Oil cylinder ,Fr brake comp	1	
7	50QT-15D-010301.7	平圆盖	Semicircle cap	1	
8	50QT-15D-010301.8	螺栓 M6X22	Bolt M6X22	2	
9	50QT-15D-010301.9	前制动开关	Switch, front stop	1	
10	50QT-15D-010301.10	油管	oil pipe	1	
11	50QT-15D-010301.11	进油螺栓	bolt,oil inlet	1	
12	50QT-15D-010301	前碟刹泵上泵	Fr disc brake pump	1	

F-16 前制刹系统图



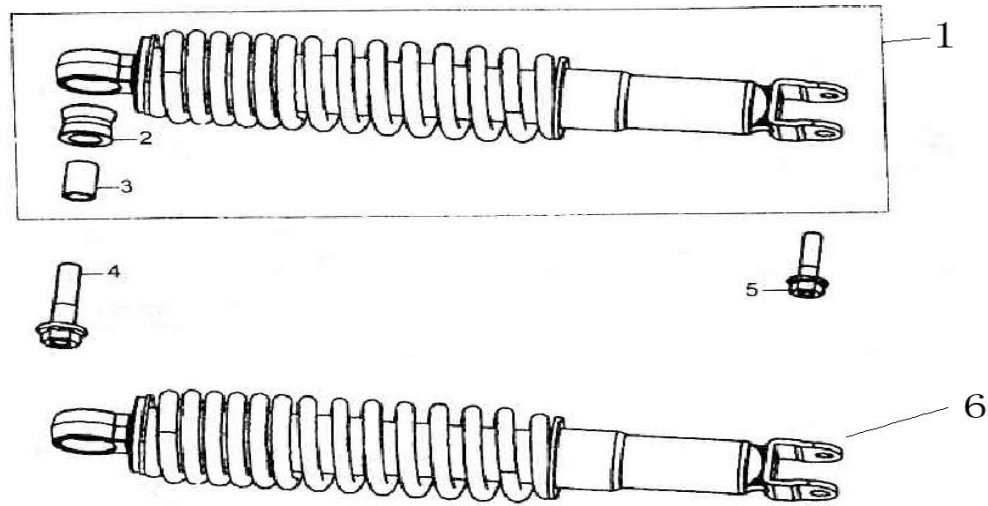
1(2)	50QT-15D-010302.1	碟刹片	Disc brake piece	2	
3	50QT-15D-010302.2	油封	Oil seal	2	
4	50QT-15D-010302.3	活塞	piston	1	
5	50QT-15D-010302.4	制动钳进油螺栓	Apply the brake clamp bolt	1	
6	50QT-15D-010302.5	弹片	shrapnel	1	
7	50QT-15D-010302.6	副油缸器	Assistant cylinder	1	
8	50QT-15D-010302.7	绝热器	insulator	1	
9	50QT-15D-010302.8	排气螺栓	Exhaust bolt	1	
10	50QT-15D-010302.9	罩	cover	1	
11	50QT-15D-010302.10	销	pin	1	
12	50QT-15D-010302.11	保护罩	Protect cover	1	
13	50QT-15D-010302	前碟刹泵下泵	Fr disc brake pump	1	

F-17 发动机-后



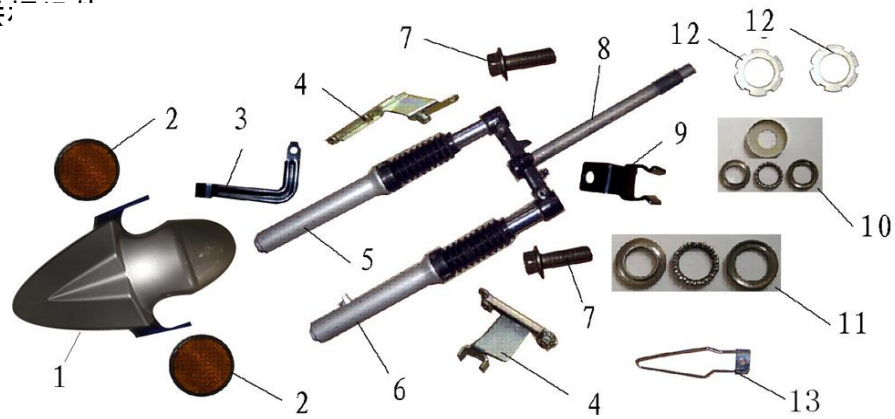
1	50QT-15D-040100	发动机	engine	1	
2	50QT-15D-040200	化油器	carburetor	1	
3	50QT-15D-040400	空滤器组件	Air filter groupware	1	
4	50QT-15D-040009	空滤器支架	Air filter frame	1	
5	50QT-15D-040007	后轮挡泥板支架 (大)	Rr wheel fender frame(big)	1	
6	50QT-15D-040008	后轮挡泥板支架 (小)	Rr wheel fender frame(small)	1	
7	50QT-15D-040011	后轮挡泥板	Rr wheel fender	1	
8	50QT-15D-040013	二次燃烧单向阀	Twice burning unilateralism valve	1套	
9	50QT-15D-040002	空滤器卡箍	Air cleaner holder, air pipe	1	
10	50QT-15D-040012	通气管组件	ventilate pipe groupware	1套	
11	50QT-15D-040016	挡水皮	block water rubber skin	1	
12	50QT-15D-040010	后制动保护套		1	
13	50QT-15D-040017	后制动回位弹簧		1	

后减震器



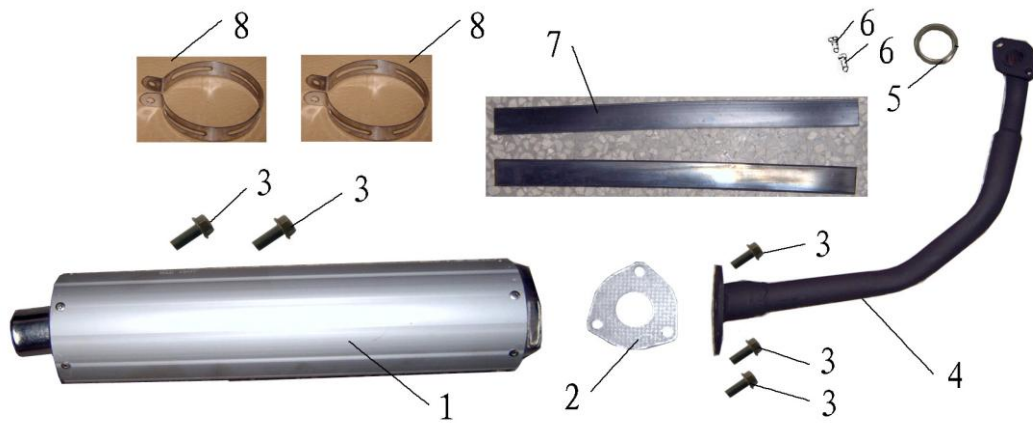
1	50QT-15D-040301	左后减震器总成	L Rr Cushion assy	1	
2	50QT-15D-040301.1	后减震器衬套	Bush rubber	1	
3	50QT-15D-040301.2	后减震器轴套	Collar rubber	1	
4	GB5787-86	六角法兰面螺栓 M10X1.25X40	Bolt flange M10X1.25X40	2	
5	GB5787-86	六角法兰面螺栓 M8X30	Bolt flange M8X30	2	
6	50QT-15D-040302	右后减震器总成	R Rr Cushion assy	1	

F-19下联:



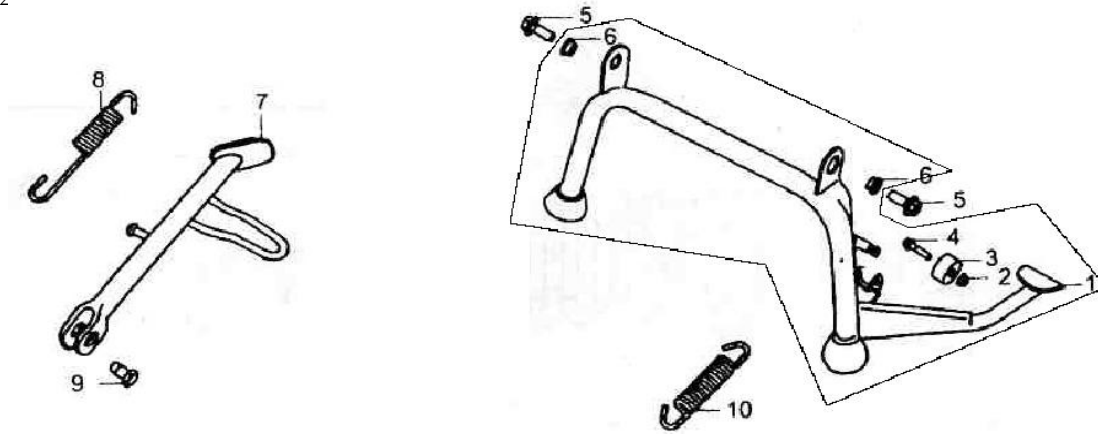
1	50QT-15D-010003	前轮挡泥板	Front wheel fender 3	1	
2	50QT-15D-010005	左右侧反射器	L and R side reflector implement	2	
3	50QT-15D-010008	碟刹泵油管线夹(I)	Disc brake pump vitta thread nip (I)	1	
4	50QT-15D-010006	前轮挡泥板支架	Front wheel fender bracket	2	
5	50QT-15D-010103	前右减震	rr shock absorber	1	
6	50QT-15D-010102	前左减震	fr shock absorber	1	
7	GB5787-86	M10X38六角法兰螺栓	M10X38 six corner bolt	2	
8	50QT-15D-010101	下联板	Lower connection board	1	
9	50QT-15D-010009	碟刹泵油管线夹(II)	Disc brake pump vitta thread nip (II)	1	
10	50QT-15D-000001	上轴承组件	Upper axletree groupware	1套	
11	50QT-15D-000002	下轴承组件	Lower axletree groupware	1套	
12	50QT-15D-000003	压紧螺母	Compaction nut	2	
13	50QT-15D-010007	里程表软轴线夹	Odograph soft axes nip	1	

F-2



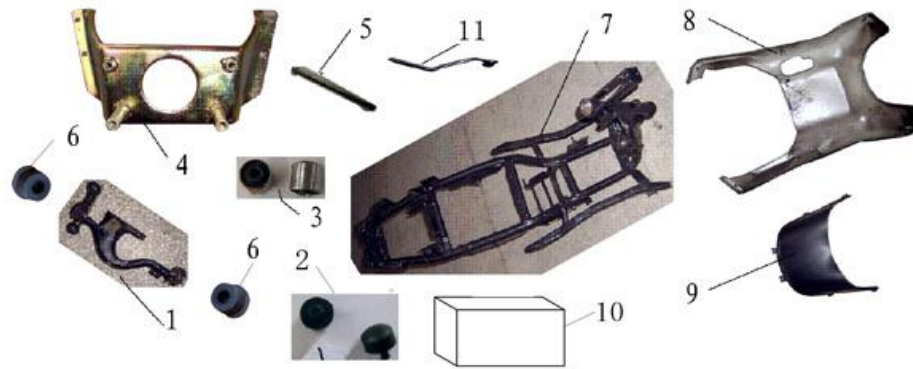
1	50QT-15D-040801	消声器(带两只触媒)	muffler	1	
2	50QT-15D-040803	排气管隔热垫	Vent-pipe heat insulation mat	1	
3	GB5787-86	M8X25六角螺栓	M8X25 six corner bolt	5	
4	50QT-15D-040802	排气管	Vent-pipe	1	
5	50QT-15D-040001	消声器密封垫	Washer	1	
6	GB823-86	长盖形螺母 M6	Cap nut M6	2	
7	50QT-15D-040015	消声器卡箍橡胶垫	Muffler block hoop rubber mat	2	
8	50QT-15D-040014	消声器卡箍	Muffler block hoop	2	

F-2



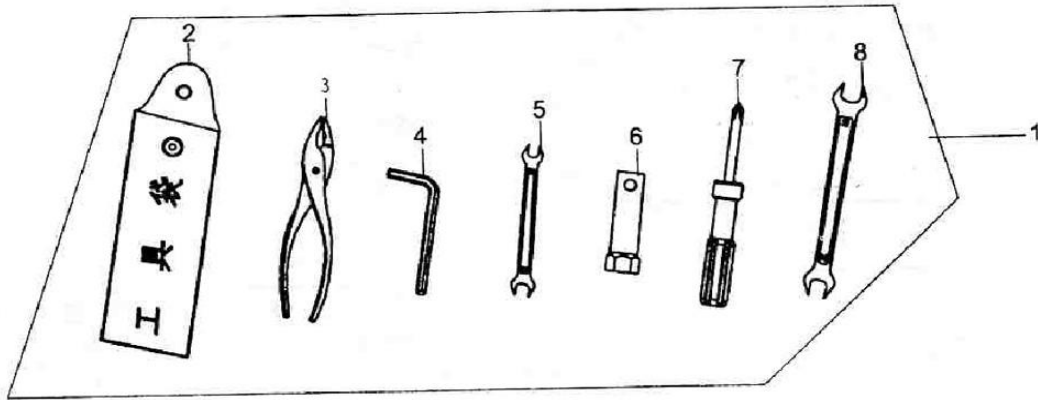
1	50QT-15D-030500	大撑组件	Big support groupware	1	
2	GB6187-86	六角法兰螺母 M6	Bolt flange M6	1	
3	50QT-15D-030012	缓冲胶轮	Cushion pastern wheel	1	
4	GB5787-86	六角法兰面螺栓 M6X25	Bolt flange M6X25	1	
5	GB5787-86	六角法兰面螺栓 M10X25	Bolt flange M10X25	2	
6	50QT-15D-030004	大撑衬套	Big maintain bush	2	
7	50QT-15D-030400	单撑	Single support	1	
8	50QT-15D-030003	单撑拉簧	Single support haul spring	1	
9	50QT-15D-030002	单撑螺栓	Single support bolt	1	
10	50QT-15D-030005	大撑拉簧	Big support haul spring	1	

F-22 车架



1	50QT-15D-030600	吊架	Hang frame	1	
2	50QT-15D-030011	吊架缓冲套	hang frame cushion set	2	
3	50QT-15D-030006	吊架衬套	Hang frame bush	2	
4	50QT-15D-030007	油箱压板	Oil box press board	1	
5	50QT-15D-000004	吊架轴	Condole frame axes	1	
6	50QT-15D-030010	吊架堵头	Hang frame plug	2	
7	50QT-15D-030100	车架	frame	1副	
8	50QT-15D-030008	车架挡泥板	Fender frame	1	
9	50QT-15D-030009	车架挡泥板前部	Fender frame front	1	
10	50QT-15D-080000	全套标准件	the whole standard piece	1套	
11	50QT-15D-030200	大板支架	Board bracket	1	

F-23 随车工具



1	50QT-15D-090020	工具组合	Tool comp	1	
2	50QT-15D-090020.1	工具袋	Tool bag	1	
3	50QT-15D-090020.2	鲤鱼钳子 165	Plier 165	1	
4	50QT-15D-090020.3	内方角板手	Wrench	1	
5	50QT-15D-090020.4	开口扳手 10-12	Wrench 10-12	1	
6	50QT-15D-090020.5	火花塞套筒	Collar comp spark plug	1	
7	50QT-15D-090020.6	双头起子	Plincers	1	
8	50QT-15D-090020.7	开口扳手 12-14	Wrench 12-14	1	